

ACCESS SERVICE

(Service previously provided under Embarq Local Operating Companies
TARIFF F.C.C. NO. 1)

Regulations, rates and charges
applying to the provision of Access Services
for connection to interstate communications facilities
for customers within the operating territories of the

CENTURYLINK OPERATING COMPANIES

in the States of **Florida, Minnesota, Nebraska, Nevada, Oregon, Washington, and Wyoming** as set forth on Title Pages 2 through 4. (D)

Access Services are provided by means of wire, fiber optics, radio or any other suitable technology or a combination thereof.

**Material deleted from this page now appears in Brightspeed Local Operating Companies
Tariff F.C.C. NO. 4.** (N)
(N)

ISSUE DATE:
September 19, 2022

Issued Under Transmittal No. 125
Vice President-Regulatory Operations
100 CenturyLink Drive
Monroe, Louisiana 71203

EFFECTIVE DATE:
October 4, 2022

ACCESS SERVICE

ISSUING CARRIERS

CenturyLink of Nevada, LLC d/b/a CenturyLink
100 CenturyLink Drive
Monroe, Louisiana 71203
For the state of Nevada

CenturyLink of Florida, Inc.⁽¹⁾ (T)
100 CenturyLink Drive
Monroe, Louisiana 71203
For the state of Florida

CenturyLink of Minnesota, Inc.⁽²⁾ (T)
100 CenturyLink Drive
Monroe, Louisiana 71203
For the state of Minnesota

United Telephone Company of the Northwest
100 CenturyLink Drive
Monroe, Louisiana 71203
For the states of Oregon and Washington

United Telephone Company of the West
100 CenturyLink Drive
Monroe, Louisiana 71203
For the states of Nebraska and Wyoming

⁽¹⁾ **Name change from Embarq Florida, Inc. to CenturyLink of Florida, Inc.** (N)
⁽²⁾ **Name change from Embarq Minnesota, Inc. to CenturyLink of Minnesota, Inc.** (N)

ISSUE DATE:
December 16, 2022

Issued Under Transmittal No. 126
Vice President-Regulatory Operations
100 CenturyLink Drive
Monroe, Louisiana 71203

EFFECTIVE DATE:
February 1, 2023

ACCESS SERVICE

ISSUING CARRIERS (Cont'd)

(D)

(D)

**Material deleted from this page now appears in Brightspeed Local Operating Companies
Tariff F.C.C. NO. 4.**

(N)
(N)

ISSUE DATE:
September 19, 2022

Issued Under Transmittal No. 125
Vice President-Regulatory Operations
100 CenturyLink Drive
Monroe, Louisiana 71203

EFFECTIVE DATE:
October 4, 2022

ACCESS SERVICE

ISSUING CARRIERS (Cont'd)

(D)

(D)

(M)

(M)

**Material deleted from this page now appears in Brightspeed Local Operating Companies
Tariff F.C.C. NO. 4.**

(N)
(N)

(M) Material moved to Title Page 2.

ISSUE DATE:
September 19, 2022

Issued Under Transmittal No. 125
Vice President-Regulatory Operations
100 CenturyLink Drive
Monroe, Louisiana 71203

EFFECTIVE DATE:
October 4, 2022

ACCESS SERVICE
CHECK SHEET

Title Pages 1 to 4 and Pages 1 through 25-3 inclusive of this tariff are effective as of the date shown. Original and revised pages as named below and Supplement Nos. 1 contain all changes from the original Tariff that are in effect on the date hereof.

<u>Page Number</u>	<u>Number of Revision Except as Indicated</u>	<u>Page Number</u>	<u>Number of Revision Except as Indicated</u>	<u>Page Number</u>	<u>Number of Revision Except as Indicated</u>	<u>Page Number</u>	<u>Number of Revision Except as Indicated</u>
Title 1	2nd	18	Original	55	Original	92	1st
Title 2	4th	19	3rd	56	Original	93	Original
Title 3	2nd	20	3rd	57	Original	94	Original
Title 4	2nd	21	3rd	58	Original	95	Original
1	117th*	22	1st	59	Original	96	Original
1.00000	Original	23	Original	60	Original	97	Original
1.00001	2nd	24	Original	61	Original	98	1st
1.00002	28th*	25	Original	62	Original	99	Original
1.00003	6th	26	Original	63	1st	100	Original
1.00003.01	Original	27	1st	64	Original	101	1st
1.00004	4th	28	1st	65	Original	102	Original
1.0001	12th	29	Original	66	Original	103	1st
1.0002	3rd	30	3rd	67	1st	104	1st
1.001	12th	31	2nd	68	1st	105	Original
1.01	8th	32	10th	69	Original	106	1st
1.02	8th	33	Original	70	Original	107	1st
1.1	31st	34	1st	71	Original	108	Original
1.1.01	Original						
1.1.02	Original						
1.1.1	2nd	35	1st	72	Original	109	1st
1.1.1.01	Original						
1.1.2	Original	36	2nd	73	Original	110	Original
1.2	18th	37	Original	74	Original	111	Original
1.3	7th	38	Original	75	Original	112	Original
1.4	13th	39	1st	76	1st	113	Original
2	Original	40	Original	77	Original	114	1st
3	1st	41	3rd	78	Original	115	1st
4	Original	42	Original	79	Original	116	Original
5	1st	43	Original	80	Original	117	Original
6	1st	44	Original	81	Original	118	Original
7	Original	45	Original	82	1st	119	Original
8	Original	46	Original	83	Original	120	Original
9	1st	47	Original	84	Original	121	Original
10	1st	48	Original	85	1st		
11	1st	49	Original	86	1st		
12	1st	50	Original	87	Original		
13	Original	51	Original	88	1st		
14	1st	52	1st	89	Original		
15	Original	53	2nd	90	2nd		
16	Original	54	Original	91	Original		
17	1st						

* New or Revised Page.

ISSUE DATE:
December 15, 2023

Issued Under Transmittal No. 130
Vice President-Regulatory Operations
100 CenturyLink Drive
Monroe, Louisiana 71203

EFFECTIVE DATE:
January 1, 2024

ACCESS SERVICE
CHECK SHEET

Title Pages 1 to 4 and Pages 1 through 25-3 inclusive of this tariff are effective as of the date shown. Original and revised pages as named below and Supplement Nos. 1 contain all changes from the original Tariff that are in effect on the date hereof.

<u>Page Number</u>	Number of Revision Except as Indicated	<u>Page Number</u>	Number of Revision Except as Indicated	<u>Page Number</u>	Number of Revision Except as Indicated	<u>Page Number</u>	Number of Revision Except as Indicated
1-1	5th*	2-36	Original				
2-1	1st	2-37	Original				
2-2	Original	2-38	Original				
2-3	Original	2-39	Original				
2-4	Original	2-40	Original				
2-5	Original	2-41	Original				
2-6	Original	2-41.1	1st				
2-7	Original	2-41.1.1	Original				
2-8	Original	2-41.2	1st				
2-9	Original	2-41.3	Original				
2-10	1st	2-41.4	1st				
2-11	Original	2-41.5	Original				
2-12	1st	2-42	Original				
2-13	Original	2-43	Original				
2-14	1st	2-44	1st				
2-15	Original	2-45	1st				
2-16	Original	2-46	Original				
2-17	Original	2-47	1st				
2-18	Original	2-48	Original				
2-19	Original	2-49	1st				
2-20	Original	2-50	Original				
2-21	Original						
2-22	1st						
2-23	1st						
2-24	Original						
2-25	Original						
2-26	Original						
2-27	Original						
2-28	Original						
2-29	1st*						
2-30	1st*						
2-31	1st*						
2-32	1st*						
2-33	Original						
2-34	Original						
2-35	Original						

* New or Revised Page.

Material on this page previously appeared on 109th Revised Page 1.

(N)

ISSUE DATE:
September 19, 2022

Issued Under Transmittal No. 125
Vice President-Regulatory Operations
100 CenturyLink Drive
Monroe, Louisiana 71203

EFFECTIVE DATE:
October 4, 2022

2nd Revised Page 1.00001
 Cancels 1st Revised Page 1.00001

ACCESS SERVICE
 CHECK SHEET

<u>Page Number</u>	<u>Number of Revision Except as Indicated</u>	<u>Page Number</u>	<u>Number of Revision Except as Indicated</u>	<u>Page Number</u>	<u>Number of Revision Except as Indicated</u>	<u>Page Number</u>	<u>Number of Revision Except as Indicated</u>
2-51	1st	2-72	Original	2-88	Original	2-112	2nd *
2-52	1st	2-73	Original	2-89	1st	2-113	1st
2-53	1st	2-74	2nd	2-90	Original	2-114	1st
2-54	1st	2-75	Original	2-91	Original	2-115	Original
2-55	1st	2-76	1st	2-92	1st	2-116	Original
2-56	1st	2-77	1st	2-93	Original	2-117	Original
2-57	1st	2-77.1	Original	2-94	Original	2-118	Original
2-58	Original	2-77.2	Original	2-95	Original	2-119	Original
2-59	2nd	2-77.3	Original	2-96	Original	2-120	Original
2-60	4th	2-77.4	Original	2-97	Original	2-121	Original
2-61	1 st	2-77.5	Original	2-98	Original	2-122	1st
2-62	Original	2-77.6	Original	2-99	Original	2-123	1st
2-63	Original	2-77.7	Original	2-100	Original	2-124	Original
2-64	Original	2-77.8	Original	2-101	Original	2-125	1st
2-65	1st	2-77.9	Original	2-102	Original	2-126	Original
2-66	Original	2-78	1st	2-103	Original	2-127	2nd
2-67	Original	2-79	Original	2-104	Original	2-128	Original
2-68	Original	2-80	Original	2-105	Original	3-1	1st
2-69	Original	2-81	Original	2-106	Original	3-2	Original
2-70	Original	2-82	Original	2-107	Original	3-3	Original
2-71	Original	2-83	1st	2-108	Original	3-4	Original
		2-84	Original	2-109	Original	3-5	Original
		2-85	Original	2-110	1st	3-6	Original
		2-86	Original	2-111	Original	3-7	Original
		2-87	Original			3-8	Original
						3-9	Original
						3-10	1st

* New or Revised Page.

ISSUE DATE:
 June 16, 2021

Issued Under Transmittal No. 118
 Vice President-Public Policy & Compliance
 100 CenturyLink Drive
 Monroe, Louisiana 71203

EFFECTIVE DATE:
 July 1, 2021

ACCESS SERVICE
CHECK SHEET

<u>Page Number</u>	<u>Number of Revision Except as Indicated</u>	<u>Page Number</u>	<u>Number of Revision Except as Indicated</u>	<u>Page Number</u>	<u>Number of Revision Except as Indicated</u>	<u>Page Number</u>	<u>Number of Revision Except as Indicated</u>
3-11	1st	5-12	Original	6-24	Original	6-70	Original
3-12	1st	5-13	1st	6-25	Original	6-71	Original
3-13	1st	5-14	Original	6-26	Original	6-72	Original
3-14	1st	5-15	Original	6-27	Original	6-73	Original
3-15	1st	5-16	5th	6-28	Original	6-74	Original
3-16	1st	5-17	1st	6-29	Original	6-75	Original
3-17	1st	5-18	1st	6-30	Original	6-76	Original
3-18	1st	5-19	1st	6-31	Original	6-77	Original
3-19	2nd	5-20	Original	6-32	Original	6-78	Original
3-20	Original	5-21	4th	6-33	1st	6-79	Original
4-1	3rd	5-22	Original	6-34	Original	6-80	Original
4-2	2nd	5-23	Original	6-35	1st	6-81	Original
4-3	1st	5-24	6th	6-36	1st	6-82	1st
4-4	Original	5-25	1st	6-37	2nd	6-83	Original
4-5	3rd	5-26	1st	6-38	1st	6-84	Original
4-6	3rd	5-27	1st	6-39	1st	6-85	Original
4-7	3rd	5-28	Original	6-40	Original	6-86	Original
4-8	1st	5-29	1st	6-41	Original	6-87	1st
4-9	3rd	5-30	1st	6-42	Original	6-88	Original
4-10	2nd	5-31	1st	6-43	Original	6-89	Original
4-11	51st*	5-32	1st	6-44	Original	6-90	Original
4-12	24th	5-33	Original	6-45	Original	6-91	Original
4-13	17th	5-34	Original	6-46	Original	6-92	Original
4-14	16th	6-1	1st	6-47	Original	6-93	Original
4-15	1st	6-2	Original	6-48	Original	6-94	Original
4-16	1st	6-3	Original	6-49	Original	6-95	Original
4-17	1st	6-4	Original	6-50	Original	6-96	Original
4-18	54th*	6-5	Original	6-51	Original	6-97	1st
4-19	54th*	6-6	Original	6-52	Original	6-98	Original
4-20	40th	6-7	Original	6-53	Original	6-99	Original
4-21	20th	6-8	Original	6-54	Original	6-100	Original
4-21.1	11th	6-9	Original	6-55	Original	6-101	Original
4-21.2	10th	6-10	Original	6-56	Original	6-102	Original
4-21.3	9th	6-11	Original	6-57	1st	6-103	Original
4-21.4	3rd	6-12	Original	6-58	Original	6-104	Original
4-22	8th	6-13	Original	6-59	Original	6-105	Original
5-1	1st	6-14	Original	6-60	Original	6-106	Original
5-2	Original	6-15	Original	6-61	Original	6-107	Original
5-3	1st	6-16	Original	6-62	Original	6-108	Original
5-4	Original	6-17	Original	6-63	Original	6-109	Original
5-5	1st	6-18	Original	6-64	Original	6-110	Original
5-6	Original	6-19	Original	6-65	Original	6-111	Original
5-7	Original	6-20	2nd	6-66	Original	6-112	Original
5-8	Original	6-21	Original	6-67	Original	6-113	Original
5-9	1st	6-22	Original	6-68	Original	6-114	Original
5-10	1st	6-23	1st	6-69	Original	6-115	Original

* New or Revised Page.

ISSUE DATE:
December 15, 2023Issued Under Transmittal No. 130
Vice President-Regulatory Operations
100 CenturyLink Drive
Monroe, Louisiana 71203EFFECTIVE DATE:
January 1, 2024

ACCESS SERVICE
CHECK SHEET

<u>Page Number</u>	<u>Number of Revision Except as Indicated</u>	<u>Page Number</u>	<u>Number of Revision Except as Indicated</u>	<u>Page Number</u>	<u>Number of Revision Except as Indicated</u>	<u>Page Number</u>	<u>Number of Revision Except as Indicated</u>
6-116	Original	6-157	Original	6-198	1st	6-234	5th
6-117	Original	6-158	Original	6-199	Original	6-235	5th
6-118	Original	6-159	Original	6-200	1st	6-236	5th
6-119	Original	6-160	Original	6-201	1st	6-237	5th
6-120	1st	6-161	Original	6-202	2nd	6-238	3rd
6-121	Original	6-162	1st	6-203	1st	6-239	3rd
6-122	Original	6-163	1st	6-204	1st	6-240	1st
6-123	1st	6-164	1st	6-205	1st	6-241	1st
6-124	Original	6-165	1st	6-206	1st	6-242	1st
6-125	Original	6-166	1st	6-207	1st	6-243	1st
6-126	1st	6-167	1st	6-208	1st	6-244	1st
6-127	Original	6-168	Original	6-209	1st	6-245	1st
6-128	Original	6-169	Original	6-210	1st	6-246	1st
6-129	Original	6-170	Original	6-211	1st	6-247	1st
6-130	Original	6-171	Original	6-212	1st	6-248	1st
6-131	1st	6-172	Original	6-213	1st	6-249	1st
6-132	1st	6-173	Original	6-214	1st	6-250	1st
6-133	Original	6-174	1st*	6-215	1st	6-251	1st
6-134	Original	6-175	Original	6-216	1st	6-252	1st
6-135	Original	6-176	Original	6-217	1st	6-253	1st
6-136	Original	6-177	Original	6-218	1st	6-254	2nd
6-137	Original	6-178	Original	6-219	1st	6-255	1st
6-138	Original	6-179	Original	6-220	1st	6-256	1st
6-139	Original	6-180	Original	6-221	1st	6-257	1st
6-140	Original	6-181	Original	6-222	1st	6-258	1st
6-141	Original	6-182	Original	6-223	1st	6-259	1st
6-142	Original	6-183	Original	6-224	1st	6-260	1st
6-143	Original	6-184	Original			6-261	1st
6-144	Original	6-185	Original	6-225	6th	6-262	1st
6-145	Original	6-186	Original	6-225.1	3rd		
6-146	Original	6-187	Original	6-226	6th	6-263	9th*
6-147	1st	6-188	Original	6-226.1	3rd	6-264	9th*
6-148	Original	6-189	Original	6-227	6th	6-265	1st
6-149	Original	6-190	Original	6-227.1	3rd	6-266	2nd
6-150	Original	6-191	Original	6-228	6th	6-267	2nd
6-151	Original	6-192	Original	6-228.1	3rd	6-268	2nd
6-152	Original	6-193	Original	6-229	6th	6-268.1	4th
6-153	Original	6-194	Original	6-230	6th	6-268.2	4th
6-154	Original	6-195	Original	6-231	6th	6-268.3	5th*
6-155	Original	6-196	1st*	6-232	5th	6-269	4th*
6-156	Original	6-197	1st*	6-233	5th	6-270	2nd

* New or Revised Page.

ISSUE DATE:
June 16, 2023Issued Under Transmittal No. 128
Vice President-Regulatory Operations
100 CenturyLink Drive
Monroe, Louisiana 71203EFFECTIVE DATE:
July 1, 2023

ACCESS SERVICE
CHECK SHEET

<u>Page Number</u>	<u>Number of Revision Except as Indicated</u>	<u>Page Number</u>	<u>Number of Revision Except as Indicated</u>	<u>Page Number</u>	<u>Number of Revision Except as Indicated</u>	<u>Page Number</u>	<u>Number of Revision Except as Indicated</u>
6-271	1st*						
6-272	1st*						
6-273	1st*						
6-274	1st*						
6-275	1st*						
6-276	1st*						
6-277	1st*						
6-278	Original						

* New or Revised Page.

Some Material on this page previously appeared on 3rd Revised Page 1.00003. (N)

ISSUE DATE:
September 19, 2022

Issued Under Transmittal No. 125
Vice President-Regulatory Operations
100 CenturyLink Drive
Monroe, Louisiana 71203

EFFECTIVE DATE:
October 4, 2022

ACCESS SERVICE
CHECK SHEET

<u>Page Number</u>	<u>Number of Revision Except as Indicated</u>	<u>Page Number</u>	<u>Number of Revision Except as Indicated</u>	<u>Page Number</u>	<u>Number of Revision Except as Indicated</u>	<u>Page Number</u>	<u>Number of Revision Except as Indicated</u>
7-1	3rd*	7-34	1st	7-74	1st*	7-109	Original
7-1.1	2nd*	7-35	1st	7-75	1st*	7-110	Original
7-1.2	2nd*	7-36	2nd	7-76	1st	7-111	Original
7-1.3	2nd*	7-37	1st	7-77	1st	7-112	Original
7-1.4	3rd*	7-38	1st	7-78	1st	7-113	Original
7-1.5	2nd*	7-39	1st	7-79	1st	7-114	Original
7-1.6	2nd*	7-40	1st	7-80	1st	7-115	Original
7-1.7	Original	7-41	Original	7-81	1st	7-116	Original
7-1.8	Original	7-42	Original	7-82	1st	7-117	Original
7-2	1st	7-43	1st	7-83	Original	7-118	Original
7-3	2nd	7-44	1st	7-84	4th	7-119	Original
7-4	3rd	7-45	Original	7-85	3rd	7-120	Original
7-5	1st	7-46	1st	7-86	4th	7-121	Original
7-6	1st	7-47	1st	7-87	3rd	7-122	Original
7-7	1st	7-48	Original	7-88	2nd	7-123	Original
7-8	1st	7-49	Original	7-89	2nd	7-124	Original
7-9	1st	7-50	1st	7-89.1	1st	7-125	Original
7-10	1st	7-51	Original	7-89.1.1	Original	7-126	1st
7-11	1st	7-52	Original	7-89.2	1st	7-127	1st
7-12	1st	7-53	Original	7-90	3rd	7-128	Original
7-13	1st	7-54	1st	7-90.1	1st	7-129	Original
7-14	1st	7-55	Original	7-90.2	1st	7-130	1st
7-15	3rd	7-56	1st	7-91	Original	7-131	1st
7-16	Original	7-57	3rd	7-92	Original	7-132	1st
7-17	1st	7-58	3rd	7-93	Original	7-133	Original
7-18	2nd	7-59	3rd	7-94	Original	7-134	Original
7-19	1st	7-60	3rd	7-95	Original	7-135	Original
7-20	1st	7-61	3rd	7-96	Original	7-136	Original
7-21	1st	7-62	3rd	7-97	Original	7-137	Original
7-22	1st	7-63	3rd	7-98	Original	7-138	1st
7-23	1st	7-64	3rd	7-99	Original	7-139	Original
7-24	1st	7-65	Original	7-100	Original	7-140	1st
7-25	1st	7-66	Original	7-101	Original	7-141	1st
7-26	1st	7-67	1st	7-102	Original	7-142	1st
7-27	2nd	7-68	Original	7-103	Original	7-143	1st
7-28	1st	7-69	1st*	7-104	Original	7-144	1st
7-29	1st	7-70	1st*	7-105	Original	7-145	1st
7-30	1st	7-71	1st*	7-106	Original	7-146	1st
7-31	2nd	7-72	1st*	7-107	Original	7-147	1st
7-32	2nd	7-73	1st*	7-108	Original	7-148	Original
7-33	1st						

* New or Revised Page.

ISSUE DATE: September 19, 2022

Issued Under Transmittal No. 125
Vice President-Regulatory Operations
100 CenturyLink Drive
Monroe, Louisiana 71203

EFFECTIVE DATE:
October 4, 2022

ACCESS SERVICE
CHECK SHEET (Cont'd)

<u>Page Number</u>	Number of Revision Except as <u>Indicated</u>	<u>Page Number</u>	Number of Revision Except as <u>Indicated</u>	<u>Page Number</u>	Number of Revision Except as <u>Indicated</u>
7-149	1st	7-197	2nd	7-226	2nd
7-150	1st	7-198	2nd	7-227	2nd
7-151	1st	7-199	1st	7-228	2nd
7-152	Original	7-200	1st	7-229	2nd
7-153	1st	7-201	1st	7-230	2nd
7-154	1st	7-202	1st	7-231	2nd
7-155	1st	7-203	1st	7-232	2nd
7-156	1st	7-204	1st	7-233	2nd
7-157	1st	7-204.0	1st	7-234	2nd
7-158	1st	7-204.1	2nd	7-235	2nd
7-159	2nd	7-204.2	1st	7-236	2nd
7-160	1st	7-204.3	2nd	7-237	2nd
7-161	1st	7-204.3.0	1st	7-238	2nd
7-162	1st	7-204.3.1	1st	7-239	3rd
7-163	1st	7-204.4	1st	7-240	3rd
7-164	1st	7-204.5	1st	7-241	3rd
7-165	1st	7-205	4th	7-242	3rd
7-166	1st	7-206	1st	7-243	3rd
7-167	1st	7-207	1st	7-244	3rd
7-168	2nd	7-208	1st	7-245	2nd
7-169	1st	7-209	1st	7-246	2nd
7-170	1st	7-209.1	2nd	7-247	2nd
7-171	1st	7-209.2	2nd	7-248	3rd*
7-172	1st	7-209.3	2nd	7-249	3rd
7-173	1st	7-210	1st	7-250	2nd
7-174	1st	7-211	1st	7-251	4th
7-175	Original	7-212	1st	7-252	3rd
7-176	2nd	7-213	1st	7-253	3rd
7-177	1st	7-214	1st	7-254	2nd
7-178	1st	7-215	2nd	7-255	4th*
7-179	1st	7-216	1st	7-256	2nd
7-180	2nd	7-217	4th	7-257	6th
7-181	2nd	7-218	1st	7-258	7th *
7-182	1st	7-219	1st	7-259	8th *
7-183	2nd	7-220	1st	7-260	8th *
7-184	1st	7-221	1st	7-261	4th
7-185	1st	7-222	1st	7-262	4th
7-186	2nd	7-223	1st	7-263	5th*
7-187	2nd	7-223.1	1st	7-264	5th*
7-188	2nd	7-223.2	1st	7-265	3rd
7-189	3rd	7-223.3	1st	7-266	3rd
7-190	3rd	7-223.4	1st	7-267	3rd
7-191	2nd	7-223.5	1st	7-268	3rd
7-192	1st	7-223.6	1st	7-269	1st
7-193	2nd	7-224	1st	7-270	1st
7-194	1st	7-225	3rd	7-271	1st
7-195	1st				
7-196	2nd				

* New or Revised Page.

ISSUE DATE:
September 15, 2023Issued Under Transmittal No. 129
Vice President-Regulatory Operations
100 CenturyLink Drive
Monroe, Louisiana 71203EFFECTIVE DATE:
October 1, 2023

ACCESS SERVICE
CHECK SHEET

<u>Page Number</u>	<u>Number of Revision Except as Indicated</u>	<u>Page Number</u>	<u>Number of Revision Except as Indicated</u>	<u>Page Number</u>	<u>Number of Revision Except as Indicated</u>	<u>Page Number</u>	<u>Number of Revision Except as Indicated</u>
7-272	1st	7-312	4th*	7-352	1st	7-392	3rd*
7-273	1st	7-313	4th*	7-353	1st	7-393	4th*
7-274	1st	7-314	4th*	7-354	1st	7-394	3rd*
7-275	1st	7-315	4th*	7-355	1st	7-395	3rd*
7-276	1st	7-316	4th*	7-356	1st	7-396	3rd*
7-277	1st	7-317	4th*	7-357	1st	7-397	3rd*
7-278	1st	7-318	4th*	7-358	1st	7-398	3rd*
7-279	1st	7-319	4th*	7-359	1st	7-399	3rd*
7-280	1st	7-320	4th*	7-360	1st	7-400	3rd*
7-281	1st	7-321	3rd*	7-361	1st	7-401	1st
7-282	1st	7-322	3rd*	7-362	1st	7-402	1st
7-283	1st	7-323	1st	7-363	1st	7-403	1st
7-284	1st	7-324	1st	7-364	1st	7-404	1st
7-285	1st	7-325	1st	7-365	1st	7-405	1st
7-286	1st	7-326	1st	7-366	1st	7-406	1st
7-287	1st	7-327	1st	7-367	1st	7-407	1st
7-288	1st*	7-328	1st	7-368	1st	7-408	1st
7-289	1st*	7-329	1st	7-369	1st	7-409	1st
7-290	1st*	7-330	1st	7-370	1st	7-410	1st
7-291	1st*	7-331	1st	7-371	1st	7-411	1st
7-292	1st*	7-332	1st	7-372	1st	7-412	1st
7-293	1st*	7-333	1st	7-373	1st	7-413	1st
7-294	1st*	7-334	1st	7-374	1st	7-414	1st
7-295	1st*	7-335	1st	7-375	1st	7-415	1st
7-296	1st*	7-336	1st	7-376	1st	7-416	1st
7-297	1st*	7-337	1st	7-377	1st	7-417	1st
7-298	1st	7-338	1st	7-378	1st	7-418	1st
7-299	2nd	7-339	1st	7-379	1st	7-419	1st
7-300	2nd	7-340	1st	7-380	1st	7-420	1st
7-301	3rd	7-341	1st	7-381	1st	7-421	1st
7-302	1st	7-342	1st	7-382	1st	7-422	1st
7-303	3rd	7-343	1st	7-383	3rd*	7-423	1st
7-304	1st*	7-344	1st	7-384	3rd*	7-424	1st
7-305	4th*	7-345	1st	7-385	3rd*	7-425	1st
7-306	4th*	7-346	1st	7-386	3rd*	7-426	3rd
7-307	4th*	7-347	1st	7-387	3rd*	7-427	3rd
7-308	4th*	7-348	1st	7-388	3rd*	7-428	3rd
7-309	4th*	7-349	1st	7-389	3rd*	7-429	3rd
7-310	4th*	7-350	1st	7-390	3rd*	7-430	2nd
7-311	4th*	7-351	1st	7-391	3rd*	7-431	2nd

* New or Revised Page.

ISSUE DATE:
September 19, 2022Issued Under Transmittal No. 125
Vice President-Regulatory Operations
100 CenturyLink Drive
Monroe, Louisiana 71203EFFECTIVE DATE:
October 4, 2022

ACCESS SERVICE
CHECK SHEET (Cont'd)

<u>Page Number</u>	<u>Number of Revision Except as Indicated</u>	<u>Page Number</u>	<u>Number of Revision Except as Indicated</u>	<u>Page Number</u>	<u>Number of Revision Except as Indicated</u>
7-431.1	3rd	7-450.2	1st	7-463.21	1st
7-431.2	1st	7-450.3	1st	7-463.22	1st
7-432	3rd	7-451	3rd	7-463.23	1st
7-433	3rd	7-452	3rd	7-463.24	1st
7-434	3rd	7-453	3rd	7-463.24.1	1st
7-435	3rd	7-454	3rd	7-463.25	1st
7-436	2nd	7-455	3rd	7-463.25.1	1st
7-437	2nd	7-456	3rd	7-463.25.2	1st
7-437.1	3rd	7-457	3rd	7-463.26	1st
7-437.2	1st	7-458	3rd	7-463.27	1st
7-437.3	1st	7-459	3rd	7-463.28	1st
7-437.4	1st	7-460	3rd	7-463.29	1st
7-437.5	1st	7-461	3rd	7-464	3rd
7-437.6	1st	7-461.1	1st	7-465	3rd
7-438	5th	7-462	3rd	7-466	3rd
7-438.0.1	4th	7-462.1	1st	7-467	3rd
7-438.1	1st	7-462.2	1st	7-468	3rd
7-439	2nd	7-463	3rd	7-469	3rd
7-440	2nd	7-463.0.1	1st	7-470	3rd
7-441	2nd	7-463.0.2	1st	7-471	3rd
7-441.0.1	1st	7-463.0.3	1st	7-472	3rd
7-441.0.1.1	1st	7-463.1	1st	7-473	3rd
7-441.0.2	1st	7-463.2	1st	7-474	3rd
7-441.0.3	2nd	7-463.3	1st	7-474.1	1st
7-441.0.4	2nd	7-463.4	1st	7-475	3rd
7-441.0.4.1	1st	7-463.5	1st	7-475.1	1st
7-441.0.4.2	1st	7-463.6	1st	7-475.2	1st
7-441.0.5	1st	7-463.7	1st	7-476	3rd
7-441.0.6	2nd	7-463.8	1st	7-476.1	1st
7-441.0.7	2nd	7-463.9	1st	7-476.2	1st
7-441.0.8	1st	7-463.10	1st	7-476.3	1st
7-441.1	1st	7-463.11	1st	7-477	3rd
7-442	2nd	7-463.11.1	1st	7-478	3rd
7-443	2nd	7-463.12	1st	7-479	3rd
7-444	2nd	7-463.12.1	1st	7-480	3rd
7-441.1	1st	7-463.12.2	1st	7-481	3rd
7-444.2	1st	7-463.13	1st	7-482	3rd
7-445	2nd	7-463.13.1	1st	7-483	3rd
7-446	2nd	7-463.13.2	1st	7-484	3rd
7-447	2nd	7-463.13.3	1st	7-485	3rd
7-447.1	1st	7-463.14	1st	7-486	3rd
7-447.2	1st	7-463.15	1st	7-487	3rd
7-448	2nd	7-463.16	1st	7-487.1	1st
7-449	2nd	7-463.17	1st	7-488	3rd
7-450	2nd	7-463.18	1st	7-488.1	1st
7-450.0.1	1st	7-463.19	1st	7-488.2	1st
7-450.1	1st	7-463.20	1st	7-489	3rd

New or Revised Page.

ISSUE DATE:
October 17, 2017Issued Under Transmittal No. 96
Vice President-Regulatory Operations
100 CenturyLink Drive
Monroe, Louisiana 71203EFFECTIVE DATE:
November 1, 2017

ACCESS SERVICE

CHECK SHEET

Page <u>Number</u>	Number of Revision Except as <u>Indicated</u>	Page <u>Number</u>	Number of Revision Except as <u>Indicated</u>	Page <u>Number</u>	Number of Revision Except as <u>Indicated</u>
7-489.1	1st	7-503.16	1st	7-505.20	1st
7-489.2	1st	7-503.17	1st	7-505.21	1st
7-489.3	1st	7-503.18	1st	7-505.22	1st
7-490	3rd	7-503.19	1st	7-505.23	1st
7-491	3rd	7-503.20	1st	7-505.24	1st
7-492	3rd	7-503.21	1st	7-505.25	1st
7-493	3rd	7-503.22	1st	7-505.26	1st
7-494	3rd	7-503.23	1st	7-505.27	1st
7-495	3rd	7-503.24	1st	7-505.28	1st
7-496	3rd	7-503.25	1st	7-505.29	1st
7-497	3rd	7-503.26	1st	7-505.30	1st
7-498	3rd	7-504	1st	7-505.31	1st
7-499	3rd	7-504.1	1st	7-505.32	1st
7-500	3rd	7-504.2	1st	7-505.33	1st
7-500.1	1st	7-504.3	1st	7-505.34	1st
7-501	3rd	7-504.4	1st	7-505.35	1st
7-501.1	1st	7-504.5	1st	7-505.36	1st
7-501.2	1st	7-504.6	1st	7-505.37	1st
7-502	3rd	7-505	2nd	7-505.38	1st
7-503	1st	7-505.1	2nd	7-505.39	1st
7-503.0.1	1st	7-505.1.1	1st	7-505.40	1st
7-503.0.2	1st	7-505.2	1st	7-505.41	1st
7-503.0.3	1st	7-505.3	1st	7-505.42	1st
7-503.0.4	1st	7-505.4	1st	7-505.43	1st
7-503.0.5	1st	7-505.4.1	2nd	7-505.44	1st
7-503.0.6	1st	7-505.5	1st	7-505.45	1st
7-503.1	1st	7-505.6	1st	7-505.46	1st
7-503.2	1st	7-505.7	1st	7-505.47	1st
7-503.3	1st	7-505.8	1st	7-505.48	1st
7-503.4	1st	7-505.9	1st	7-505.49	1st
7-503.5	1st	7-505.10	1st	7-505.50	1st
7-503.6	1st	7-505.11	1st	7-505.51	1st
7-503.7	1st	7-505.12	1st	7-505.52	1st
7-503.8	1st	7-505.13	1st	7-505.53	1st
7-503.9	1st	7-505.14	1st	7-505.54	1st
7-503.11	1st	7-505.15	1st	7-505.55	1st
7-503.12	1st	7-505.16	1st	7-505.56	1st
7-503.13	1st	7-505.17	1st	7-505.57	1st
7-503.14	1st	7-505.18	1st	7-505.58	1st
7-503.15	1st	7-505.19	1st	7-505.59	1st

* New or Revised Page.

ISSUE DATE:
October 17, 2017Issued Under Transmittal No. 96
Vice President-Regulatory Operations
100 CenturyLink Drive
Monroe, Louisiana 71203EFFECTIVE DATE:
November 1, 2017

ACCESS SERVICE

CHECK SHEET

<u>Page Number</u>	<u>Number of Revision Except as Indicated</u>	<u>Page Number</u>	<u>Number of Revision Except as Indicated</u>	<u>Page Number</u>	<u>Number of Revision Except as Indicated</u>
7-505.60	1st	8-13	1st	10-8.3	Original
7-505.61	1st	8-14	1st	10-8.4	Original
7-505.62	1st	8-15	1st	10-8.5	Original
7-505.63	1st	8-16	1st	10-9	Original
7-505.64	1st	8-17	1st	10-10	1st*
7-505.65	1st	8-18	1st	10-11	1st*
7-505.66	1st	8-19	1st	10-12	1st*
7-505.67	1st	8-20	1st	10-13	1st
7-505.68	1st	8-21	1st	10-14	1st*
7-505.69	1st	8-22	1st	10-15	1st*
7-505.70	1st	8-23	1st	10-16	1st*
7-505.71	1st	8-24	1st	10-17	1st
7-505.72	1st	8-25	1st	10-18	Original
7-505.73	1st	8-26	1st	10-19	Original
7-505.74	1st	8-27	1st	11-1	Original
7-505.75	1st	8-28	Original	11-2	Original
7-505.76	1st	8-29	Original	11-3	Original
7-505.77	1st	9-1	Original	11-4	Original
7-505.78	1st	9-2	Original	11-5	1st*
7-505.79	1st	9-3	Original	11-6	1st*
7-505.80	1st	9-4	Original	11-7	Original
7-505.81	1st	9-5	Original	11-8	Original
7-506	1st	9-6	Original	11-9	Original
7-507	1st	9-7	Original	11-10	1st*
7-511	1st	9-8	Original	11-11	1st*
7-512	1st*	9-9	Original	11-12	1st*
7-513	1st*	9-10	Original	11-13	1st*
7-514	1st*	9-11	Original	11-14	1st*
8-1	Original	9-12	Original	11-15	1st*
8-2	2nd	9-13	1st*	11-16	Original
8-2.1	1st	9-14	1st*	12-1	Original
8-3	1st	10-1	1st	12-2	Original
8-4	1st	10-2	Original	13-1	1st
8-5	1st	10-3	Original	13-2	Original
8-6	1st	10-4	Original	13-3	1st
8-7	1st	10-5	Original	13-4	1st
8-8	1st	10-6	Original	13-5	1st
8-9	1st	10-7	1st	13-6	Original
8-10	1st	10-8	1st	13-7	Original
8-11	1st	10-8.1	Original	13-8	Original
8-12	1st	10-8.2	Original	13-9	1st
				13-10	Original

* New or Revised Page.

ISSUE DATE:
September 19, 2022Issued Under Transmittal No. 125
Vice President-Regulatory Operations
100 CenturyLink Drive
Monroe, Louisiana 71203EFFECTIVE DATE:
October 4, 2022

ACCESS SERVICE

CHECK SHEET (Cont'd)

<u>Page Number</u>	Number of Revision Except as <u>Indicated</u>	<u>Page Number</u>	Number of Revision Except as <u>Indicated</u>	<u>Page Number</u>	Number of Revision Except as <u>Indicated</u>
13-11	Original	14-5	Original		
13-12	Original	14-68.1	Original		
13-13	1st*	14-68.2	Original		
13-14	1st*	14-68.3	Original		
13-15	1st*	14-68.4	Original		
13-16	1st*	14-68.5	Original		
13-17	1st*	14-68.6	Original		
13-18	1st*	14-68.7	Original		
13-19	Original	14-68.8	Original		
13-20	Original	14-68.9	1st		
13-21	Original	14-68.10	Original		
13-22	Original	14-68.11	Original		
13-23	1st*	14-68.12	Original		
13-24	Original	14-68.13	Original		
13-25	1st*	14-69	1st*		
13-26	2nd	14-70	1st*		
13-27	1st	14-71	1st*		
13-28	1st*	14-72	1st*		
13-29	1st	14-73	1st*		
13-30	Original	14-74	1st*		
13-31	Original	14-74.1	1st*		
13-32	Original	14-74.2	1st*		
13-33	1st*	14-74.3	1st*		
13-34	Original	14-74.4	1st*		
13-35	Original	14-74.5	1st*		
13-36	Original	14-74.6	1st*		
13-37	Original	14-74.7	1st*		
13-38	1st*	14-74.8	3rd*		
13-39	1st*	14-74.9	1st*		
13-40	2nd*	14-74.10	1st*		
13-41	Original	14-74.11	2nd*		
13-42	Original	14-74.12	2nd*		
13-43	1st*	14-75	1st*		
13-44	Original	14-76	1st*		
13-45	Original	14-77	1st*		
13-46	Original	14-78	1st*		
13-47	1st*				
13-48	Original				
13-49	Original				
13-50	1st*				
13-51	1st*				
13-52	Original				
14-1	Original				
14-2	Original				
14-3	Original				
14-4	Original				

* New or Revised Page.

ISSUE DATE:
September 19, 2022Issued Under Transmittal No. 125
Vice President-Regulatory Operations
100 CenturyLink Drive
Monroe, Louisiana 71203EFFECTIVE DATE:
October 4, 2022

ACCESS SERVICE

CHECK SHEET (Cont'd)

<u>Page Number</u>	<u>Number of Revision Except as Indicated</u>	<u>Page Number</u>	<u>Number of Revision Except as Indicated</u>	<u>Page Number</u>	<u>Number of Revision Except as Indicated</u>
		14-87	Original	14-128	1st*
		14-88	Original	14-129	1st*
		14-89	Original	14-130	1st*
		14-90	Original	14-131	1st*
		14-91	Original	14-132	1st*
		14-92	Original	14-133	1st*
		14-93	Original	14-134	1st*
		14-94	Original	14-135	1st*
		14-95	Original	14-136	1st*
		14-96	Original	14-136.1	1st*
		14-97	Original	14-136.2	1st*
		14-97.1	1st	14-136.3	3rd*
		14-97.2	Original	14-136.4	1st*
		14-97.3	1st	14-136.5	1st*
14-78.1	1st*	14-98	1st*	14-136.6	1st*
14-78.2	1st*	14-99	1st*	14-136.7	1st*
14-78.3	1st*	14-99.31	1st*	14-136.8	1st*
14-78.4	2nd*	14-100	1st*	14-136.9	1st*
14-78.5	2nd*	14-101	1st*	14-136.10	2nd*
14-79	Original	14-102	1st*	14-137	1st*
14-80	Original	14-103	1st*	14-138	1st*
14-81	Original	14-104	1st*	14-139	1st*
14-82	Original	14-105	1st*	14-140	1st*
14-82.1	Original	14-106	1st*	14-141	1st*
14-82.2	Original	14-107	1st*	14-142	1st*
14-82.3	1st	14-108	1st*	14-143	1st*
14-82.4	1st	14-109	1st*	14-144	1st*
14-82.5	Original	14-110	1st*	14-145	1st*
14-83	1st*	14-111	1st*	14-146	1st*
14-84	1st*	14-112	1st*	14-147	1st*
14-85	1st*	14-113	1st*	14-148	1st*
14-86	1st*	14-114	1st*	14-149	1st*
14-86.1	1st*	14-115	1st*	14-150	1st*
14-86.2	1st*	14-116	1st*	14-151	1st*
14-86.3	1st*	14-117	1st*	14-152	1st*
14-86.4	1st*	14-118	1st*	14-153	1st*
14-86.5	2nd*	14-119	1st*	14-154	1st*
14-86.6	1st*	14-120	1st*	14-155	1st*
14-86.7	2nd*	14-121	1st*	14-156	1st*
14-86.8	1st*	14-122	1st*	14-157	1st*
		14-123	1st*	14-158	1st*
		14-124	1st*	14-159	1st*
		14-125	1st*	14-160	1st*
		14-126	1st*		
		14-127	1st*		

* New or Revised Page.

Some Material on this page previously appeared on 30th Revised Page 1.1.**(N)**ISSUE DATE:
September 19, 2022Issued Under Transmittal No. 125
Vice President-Regulatory Operations
100 CenturyLink Drive
Monroe, Louisiana 71203EFFECTIVE DATE:
October 4, 2022

ACCESS SERVICE
CHECK SHEET (Cont'd)

<u>Page Number</u>	<u>Number of Revision Except as Indicated</u>	<u>Page Number</u>	<u>Number of Revision Except as Indicated</u>	<u>Page Number</u>	<u>Number of Revision Except as Indicated</u>
14-161	1st*	14-195	1st*	14-218.4	1st*
14-162	1st*	14-196	1st*	14-218.5	1st*
14-163	1st*	14-197	1st*	14-218.6	1st*
14-164	1st*	14-197.1	1st*	14-218.7	1st*
14-165	1st*	14-197.2	1st*	14-218.8	2nd*
14-166	1st*	14-197.3	1st*	14-219	1st*
14-167	1st*	14-197.4	1st*	14-220	1st*
14-168	1st*	14-197.5	1st*	14-221	1st*
14-168.1	2nd*	14-197.6	2nd*	14-222	1st*
14-168.2	1st*	14-197.7	2nd*	14-223	1st*
14-168.3	1st*	14-197.8	2nd*	14-224	1st*
14-168.4	1st*	14-197.9	2nd*	14-225	1st*
14-168.5	1st*	14-197.10	1st*	14-226	1st*
14-168.6	2nd*	14-198	1st*	14-227	1st*
14-168.7	1st*	14-199	1st*	14-227.1	1st*
14-168.8	2nd*	14-199.1	1st*	14-227.2	1st*
14-168.9	1st*	14-199.2	1st*	14-227.3	1st*
14-170	Original	14-199.3	1st*	14-227.4	2nd*
14-171	Original	14-199.4	2nd*	14-227.5	2nd*
14-172	Original	14-200	1st*	14-227.6	1st*
14-172.1	1st	14-201	1st*	14-228	Original
14-173	1st*	14-202	1st*	14-229	Original
14-174	1st*	14-203	1st*	14-230	Original
14-175	1st*	14-204	1st*	14-231	Original
14-176	1st*	14-205	1st*	14-232	Original
14-177	1st*	14-205.1	2nd*	14-232.1	Original
14-178	1st*	14-205.2	1st*		
14-179	1st*	14-206	1st*	15-1	1st*
14-180	1st*	14-207	1st*	15-2	1st*
14-181	1st*	14-208	1st*	15-3	Original
14-182	1st*	14-209	1st*	15-4	1st*
14-183	1st*	14-210	1st*	15-5	Original
14-184	1st*	14-211	1st*	15-6	Original
14-185	1st*	14-212	1st*	15-7	Original
14-186	1st*	14-213	1st*	15-8	Original
14-187	1st*	14-214	1st*	15-9	Original
14-188	1st*	14-215	1st*	15-10	Original
14-189	1st*	14-216	1st*	15-11	Original
14-190	1st*	14-217	1st*	15-12	1st*
14-191	1st*	14-218	1st*	15-13	Original
14-192	1st*	14-218.1	1st*	15-14	1st*
14-193	1st*	14-218.2	1st*	15-15	1st*
14-194	1st*	14-218.3	1st*		

* New or Revised Page.

Some Material on this page previously appeared on 30th Revised Page 1.1 and 1st Revised Page 1.1.1.**(N)**ISSUE DATE:
September 19, 2022
Monroe, Louisiana 71203Issued Under Transmittal No. 125
Vice President-Regulatory Operations
100 CenturyLink DriveEFFECTIVE DATE:
October 4, 2022

ACCESS SERVICE
CHECK SHEET (Cont'd)

<u>Page Number</u>	<u>Number of Revision Except as Indicated</u>	<u>Page Number</u>	<u>Number of Revision Except as Indicated</u>	<u>Page Number</u>	<u>Number of Revision Except as Indicated</u>
16-1	1st	17-33	1st*	21-1	Original
16-2	1st	17-34	1st*	21-2	Original
16-3	1st	17-35	1st*	21-3	Original
16-4	1st	17-36	1st*	21-4	Original
16-5	Original	17-37	1st*	21-5	Original
16-6	Original	17-38	1st*	21-6	Original
16-7	Original	17-39	1st*	21-7	1st*
16-8	1st	17-40	1st*	21-8	1st*
16-9	2nd*	17-41	1st*	21-9	1st*
17-1	1st	17-42	1st*	21-10	1st*
17-2	Original	17-43	1st*	21-11	1st*
17-3	Original	17-44	1st*	21-12	1st*
17-4	Original	17-45	1st*	21-13	1st*
17-5	Original	17-46	1st*	21-14	Original
17-6	Original	17-47	1st*	21-15	1st*
17-7	Original	17-48	1st*	21-16	1st*
17-8	1st	17-49	1st*	21-17	1st*
17-9	Original	17-50	Original	21-18	1st*
17-10	Original	17-51	1st*	21-19	1st*
17-11	Original	17-52	1st*	21-20	1st*
17-12	Original	17-53	1st*	21-21	1st*
17-13	Original	17-54	1st*	21-22	1st*
17-14	Original	17-55	1st*	21-23	1st*
17-15	Original	17-56	1st*	21-24	1st*
17-16	Original	17-57	Original	21-25	1st*
17-17	Original	17-58	1st*	21-26	1st*
17-18	Original	18-1	1st*	21-27	1st*
17-19	Original	18-2	1st*	21-28	1st*
17-20	Original	18-3	1st*	21-29	1st*
17-21	Original	18-4	1st*	21-30	3rd*
17-22	Original	18-5	1st*	21-31	3rd*
17-23	Original	18-6	1st*	21-32	1st*
17-24	Original	19-1	Original	21-33	1st*
17-25	Original	20-1	Original	21-34	1st*
17-26	Original	20-2	Original	21-35	1st*
17-27	Original	20-3	Original	21-36	1st*
17-28	Original	20-4	Original	21-37	1st*
17-29	Original	20-5	Original	21-38	2nd*
17-30	1st	20-6	1st*	21-39	1st*
17-31	Original	20-7	1st*	21-40	1st*
17-32	1st*				

* New or Revised Page.

Some material on this page now appears on Original Page 1.1.1.01.

(N)

ISSUE DATE:
September 19, 2022Issued Under Transmittal No. 125
Vice President-Regulatory Operations
100 CenturyLink Drive
Monroe, Louisiana 71203EFFECTIVE DATE:
October 4, 2022

ACCESS SERVICE
CHECK SHEET (Cont'd)

<u>Page Number</u>	<u>Number of Revision Except as Indicated</u>	<u>Page Number</u>	<u>Number of Revision Except as Indicated</u>	<u>Page Number</u>	<u>Number of Revision Except as Indicated</u>
21-41	1st*	22-24	1st	22-71	1st
21-42	1st*	22-25	1st	22-72	1st
21-43	1st*	22-26	1st	22-73	1st
21-44	1st*	22-27	1st	22-74	1st
21-45	1st*	22-28	1st	22-75	1st
21-46	1st*	22-29	1st	22-76	1st
21-47	3rd*	22-30	1st	22-77	1st
21-48	3rd*	22-31	1st	22-78	1st
		22-32	1st	22-79	1st
		22-33	1st	22-80	1st
		22-34	1st	22-81	1st
		22-35	1st	22-82	1st
		22-36	1st	22-83	1st
		22-37	1st	22-84	1st
		22-38	1st	22-85	1st
		22-39	1st	22-86	1st
		22-41	1st	22-87	1st
		22-41	1st	22-88	1st
		22-42	1st	22-89	1st
		22-43	1st	22-90	1st
		22-44	1st	22-91	1st
		22-45	1st	22-92	1st
		22-46	1st	22-93	1st
		22-47	3rd	22-94	1st
		22-48	3rd	22-95	1st
22-1	2nd	22-49	2nd	22-96	3rd
22-2	1st	22-50	2nd	22-97	1st
22-3	1st	22-51	2nd	22-98	3rd
22-4	1st	22-52	1st	22-99	1st
22-5	1st	22-53	1st	22-100	1st
22-6	1st	22-54	1st	22-101	1st
22-7	1st	22-55	1st	22-102	1st
22-8	1st	22-56	1st	22-103	1st
22-9	1st	22-57	1st	22-104	1st
22-10	1st	22-58	1st	22-105	1st
22-11	1st	22-59	1st	22-106	1st
22-12	1st	22-60	1st	22-107	1st
22-13	2nd	22-61	1st	22-108	1st
22-14	2nd	22-62	1st	22-109	1st
22-15	2nd	22-63	1st	22-110	1st
22-16	2nd	22-64	1st	22-111	1st
22-17	2nd	22-65	1st	22-112	1st
22-18	2nd	22-66	1st	22-113	1st
22-19	2nd	22-67	1st	22-114	1st
22-20	1st	22-68	1st	22-115	1st
22-21	1st	22-69	1st	22-116	1st
22-22	1st	22-70	1st	22-117	1st
22-23	1st				

* New or Revised Page.

Some material on this page previously appeared on 1st Revised Page 1.1.1.

(N)

ISSUE DATE:
September 19, 2022Issued Under Transmittal No. 125
Vice President-Regulatory Operations
100 CenturyLink Drive
Monroe, Louisiana 71203EFFECTIVE DATE:
October 4, 2022

ACCESS SERVICE

CHECK SHEET (Cont'd)

<u>Page Number</u>	Number of Revision Except as <u>Indicated</u>	<u>Page Number</u>	Number of Revision Except as <u>Indicated</u>	<u>Page Number</u>	Number of Revision Except as <u>Indicated</u>
22-118	1st *	22-164	1st *	22-209.1	2nd
22-119	1st *	22-165	1st *	22-209.2	2nd
22-120	1st *	22-166	1st *	22-210	4th
22-121	1st *	22-167	1st *	22-211	4th
22-122	1st *	22-168	1st *	22-212	4th
22-123	1st *	22-169	1st *	22-213	4th
22-124	1st *	22-170	1st *	22-214	4th
22-125	1st *	22-171	1st *	22-215	4th
22-126	1st *	22-172	1st *	22-215.1	2nd
22-127	1st *	22-173	1st *	22-215.2	2nd
22-128	1st *	22-174	1st *	22-215.3	2nd
22-129	1st *	22-175	1st *	22-215.4	2nd
22-130	1st *	22-176	1st *	22-215.5	2nd
22-131	1st *	22-177	1st *	22-215.6	2nd
22-132	1st *	22-178	1st *	22-216	5th
22-133	1st *	22-179	1st *	22-216.0.1	6th
22-134	1st *	22-180	1st *	22-216.1	1st
22-135	1st *	22-181	1st *	22-217	3rd
22-136	1st *	22-182	1st *	22-218	3rd
22-137	1st *	22-183	1st *	22-219	3rd
22-138	1st *	22-184	1st *	22-219.0.1	1st
22-139	1st *	22-185	1st *	22-219.0.1.1	1st
22-140	1st *	22-186	1st *	22-219.0.2	1st
22-141	1st *	22-187	1st *	22-219.0.3	2nd
22-142	1st *	22-188	1st *	22-219.0.4	2nd
22-143	1st *	22-189	1st *	22-219.0.4.1	1st
22-144	1st *	22-190	1st *	22-219.0.4.2	1st
22-145	1st *	22-191	1st *	22-219.0.5	1st
22-146	1st *	22-192	1st *	22-219.0.6	2nd
22-147	1st *	22-193	1st *	22-219.0.7	2nd
22-148	1st *	22-194	1st *	22-219.0.8	1st
22-149	1st *	22-195	1st *	22-219.1	1st
22-150	1st *	22-196	1st *	22-220	3rd
22-151	1st *	22-197	1st *	22-221	3rd
22-152	1st *	22-198	1st *	22-222	3rd
22-153	1st *	22-199	1st *	22-222.1	1st
22-154	1st *	22-200	1st *	22-222.2	1st
22-155	1st *	22-201	1st *	22-223	3rd
22-156	1st *	22-202	1st *	22-224	3rd
22-157	1st *	22-203	1st *	22-225	3rd
22-158	1st *	22-204	4th	22-225.1	1st
22-159	1st *	22-205	4th	22-225.2	1st
22-160	1st *	22-206	4th	22-226	3rd
22-161	1st *	22-207	4th	22-227	3rd
22-162	1st *	22-208	3rd	22-228	3rd
22-163	1st *	22-209	3rd	22-228.1	1st

* New or Revised Page.

ISSUE DATE:
October 17, 2017

Issued Under Transmittal No. 96
Vice President-Regulatory Operations
100 CenturyLink Drive
Monroe, Louisiana 71203

EFFECTIVE DATE:
November 1, 2017

ACCESS SERVICE

CHECK SHEET (Cont'd)

<u>Page Number</u>	<u>Number of Revision Except as Indicated</u>	<u>Page Number</u>	<u>Number of Revision Except as Indicated</u>	<u>Page Number</u>	<u>Number of Revision Except as Indicated</u>
22-228.2	1st	22-241.13.2	1st	22-255	4th
22-228.3	1st	22-241.13.3	1st	22-256	4th
22-228.4	1st	22-241.14	1st	22-257	4th
22-229	4th	22-241.15	1st	22-258	4th
22-230	4th	22-241.16	1st	22-259	4th
22-231	4th	22-241.17	1st	22-260	4th
22-232	4th	22-241.18	1st	22-261	4th
22-233	4th	22-241.19	1st	22-262	4th
22-234	4th	22-241.20	1st	22-263	4th
22-235	4th	22-241.21	1st	22-264	4th
22-236	4th	22-241.22	1st	22-265	4th
22-237	4th	22-241.23	1st	22-265.1	1st
22-238	4th	22-241.24	1st	22-266	4th
22-239	4th	22-241.24.1	1st	22-266.1	1st
22-239.1	1st	22-241.25	1st	22-266.2	1st
22-240	4th	22-241.25.1	1st	22-267	4th
22-240.1	1st	22-241.25.2	1st	22-267.1	1st
22-240.2	1st	22-241.26	1st	22-267.2	1st
22-241	4th	22-241.27	1st	22-267.3	1st
22-241.0.1	1st	22-241.28	1st	22-268	4th
22-241.0.2	1st	22-241.29	1st	22-269	4th
22-241.0.3	1st	22-242	4th	22-270	4th
22-241.1	1st	22-243	4th	22-271	4th
22-241.2	1st	22-244	4th	22-272	4th
22-241.3	1st	22-245	4th	22-273	4th
22-241.4	1st	22-247	4th	22-274	4th
22-241.5	1st	22-248	4th	22-275	4th
22-241.6	1st	22-249	4th	22-276	4th
22-241.7	1st	22-250	4th	22-277	4th
22-241.8	1st	22-251	4th	22-278	4th
22-241.9	1st	22-252	4th	22-278.1	1st
22-241.10	1st	22-252.1	1st	22-279	4th
22-241.11	1st	22-253	4th	22-279.1	1st
22-241.11.1	1st	22-253.1	1st	22-279.2	1st
22-241.12	1st	22.253.2	1st	22-280	4th
22-241.12.1	1st	22-254	4th	22-281	2nd
22-241.12.2	1st	22-254.1	1st	22-281.0.1	1st
22-241.13	1st	22-254.2	1st	22-281.0.2	1st
22-241.13.1	1st	22.254.3	1st	22-281.0.3	1st

* New or Revised Page.

ISSUE DATE:
October 17, 2017Issued Under Transmittal No. 96
Vice President-Regulatory Operations
100 CenturyLink Drive
Monroe, Louisiana 71203EFFECTIVE DATE:
November 1, 2017

ACCESS SERVICE
CHECK SHEET (Cont'd)

<u>Page Number</u>	<u>Number of Revision Except as Indicated</u>	<u>Page Number</u>	<u>Number of Revision Except as Indicated</u>	<u>Page Number</u>	<u>Number of Revision Except as Indicated</u>
22-281.0.4	1st	22-292	2nd	22-333	1st
22-281.0.5	1st	22-292.1	2nd	22-334	1st
22-281.0.6	1st	22-293	2nd	22-335	1st
22-281.1	1st	22-294	2nd	22-336	1st
22-281.2	1st	22-295	2nd	22-337	1st
22-281.3	1st	22-296	2nd	22-338	1st
22-281.4	1st	22-297	1st	22-339	1st
22-281.5	1st	22-298	1st	22-340	1st
22-281.6	1st	22-299	1st	22-341	1st
22-281.7	1st	22-300	1st	22-342	1st
22-281.8	1st	22-301	1st	22-343	1st
22-281.9	1st	22-302	1st	22-344	1st
22-281.10	1st	22-303	1st	22-345	1st
22-281.11	1st	22-304	1st	22-346	1st
22-281.12	1st	22-305	1st	22-347	1st
22-281.13	1st	22-306	1st	22-348	1st
22-281.14	1st	22-307	1st	22-349	1st
22-281.15	1st	22-308	1st	22-350	1st
22-281.16	1st	22-309	1st	22-351	1st
22-281.17	1st	22-310	1st	22-352	1st
22-281.18	1st	22-311	1st	22-353	1st
22-281.19	1st	22-312	1st	22-354	1st
22-281.20	1st	22-313	1st	22-355	1st
22-281.21	1st	22-314	1st	22-356	1st
22-281.22	1st	22-315	1st	22-357	1st
22-281.23	1st	22-316	1st	22-358	1st
22-281.24	1st	22-317	1st	22-359	1st
22-281.25	1st	22-318	1st	22-360	1st
22-281.26	1st	22-319	1st	22-361	1st
22-282	2nd	22-320	1st	22-362	1st
22-283	2nd	22-321	1st	22-363	1st
22-284	2nd	22-322	1st	22-364	1st
22-284	2nd	22-323	1st	22-365	1st
22-285	2nd	22-324	1st	22-366	1st
22-286	2nd	22-325	1st	22-367	1st
22-287	2nd	22-326	1st	22368	1st
22-287.1	1st	22-327	1st	22-369	1st
22-288	3rd	22-328	1st	23-1	1st *
22-289	3rd	22-329	1st	23-2	Original
22-289.1	2nd	22-330	1st	23-3	Original
22-290	2nd	22-331	1st	23-4	Original
22-291	2nd	22-332	1st	23-5	Original

* New or Revised Page.

ISSUE DATE:
October 17, 2017Issued Under Transmittal No. 96
Vice President-Regulatory Operations
100 CenturyLink Drive
Monroe, Louisiana 71203EFFECTIVE DATE:
November 1, 2017

ACCESS SERVICE

CHECK SHEET (Cont'd)

<u>Page Number</u>	<u>Number of Revision Except as Indicated</u>	<u>Page Number</u>	<u>Number of Revision Except as Indicated</u>	<u>Page Number</u>	<u>Number of Revision Except as Indicated</u>
23-6	1st*	24-13	1st	24-46	1st
23-7	1st*	24-14	1st	24-47	1st
23-8	1st*	24-15	1st	24-48	1st
23-9	1st*	24-16	1st	24-49	2nd
23-10	1st*	24-17	1st	24-50	2nd
23-11	1st*	24-18	1st	24-51	3rd
23-12	1st*	24-19	1st	24-52	1st
23-13	3rd*	24-20	1st	24-53	1st
23-14	3rd*	24-21	1st	24-54	1st
23-15	2nd*	24-22	1st	24-54.1	1st
23-16	1st*	24-23	1st	24-55	1st
23-17	1st*	24-24	1st	24-56	1st
23-18	1st*	24-25	1st	24-57	1st
23-19	1st*	24-26	1st	24-58	1st
23-20	1st*	24-27	1st	24-59	1st
23-21	1st*	24-28	1st	24-60	1st
23-22	1st*	24-29	1st	24-61	2nd
23-23	1st *	24-30	1st	24-62	2nd
23-24	1st*	24-31	1st	24-63	2nd
23-25	1st*	24-32	1st	24-64	2nd
23-26	1st*	24-33	1st	24-65	1st
24-1	1st	24-34	1st	24-66	1st
24-2	1st	24-35	1st	24-67	1st
24-3	2nd	24-36	1st	24-68	2nd
24-4	3rd	24-37	1st	24-69	1st
24-5	2nd	24-38	1st	24-70	1st
24-6	2nd	24-39	1st	24-71	1st
24-7	2nd	24-40	1st	24-72	1st
24-8	2nd	24-41	2nd	24-73	1st
24-9	1st	24-42	2nd	25-1	Original
24-10	1st	24-43	2nd	25-2	Original
24-11	2nd	24-44	2nd	25-3	Original
24-12	1st	24-45	2nd		

* New or Revised Page.

ISSUE DATE:
September 19, 2022Issued Under Transmittal No. 125
Vice President-Regulatory Operations
100 CenturyLink Drive
Monroe, Louisiana 71203EFFECTIVE DATE:
October 4, 2022

Under the authority of DA 12-1037 adopted in Order WCB/Pricing No. 12-09 and released on July 2, 2012, material filed under Transmittal No. 21, is advanced to July 2, 2012 and then suspended for one day to become effective July 3, 2012. The following pages and ARC rates are affected by this order:

Transmittal No. 21

Page 1	17th Revised
Page 4-1	1st Revised
Page 4-2	1st Revised
Page 4-5	1st Revised
Page 4-6	1st Revised
Page 4-7	1st Revised
Page 4-9	1st Revised
Page 4-10	1st Revised
Page 4-21	Original
Page 4-22	Original

ISSUE DATE:
July 3, 2012

Issued Under Transmittal No. 24
Vice President-Regulatory Operations
100 CenturyLink Drive
Monroe, Louisiana 71203

ACCESS SERVICE
TABLE OF CONTENTS

	<u>Page No.</u>
Concurring Carriers	33
Connecting Carriers	33
Other Participating Carriers	33
Explanation of Symbols	34
Explanation of Abbreviations	34
Reference to Other Tariffs	37
Reference to Other Publications	38
Subject Index	43
1. <u>APPLICATION OF TARIFF</u>	1-1
2. <u>GENERAL REGULATIONS</u>	2-1
2.1 <u>Undertaking of the Telephone Company</u>	2-1
2.1.1 Scope	2-1
2.1.2 Limitations	2-2
2.1.3 Liability	2-4
2.1.4 Provision of Services	2-8
2.1.5 Installation and Termination of Services	2-8
2.1.6 Maintenance of Services	2-8
2.1.7 Changes and Substitutions	2-9
2.1.8 Refusal and Discontinuance of Service	2-10

ISSUE DATE:
February 28, 2011

Issued Under Transmittal No. 1
Vice President-Regulatory Operations
100 CenturyLink Drive
Monroe, Louisiana 71203

EFFECTIVE DATE:
March 1, 2011

ACCESS SERVICE

TABLE OF CONTENTS

	<u>Page No.</u>	
2.		<u>GENERAL REGULATIONS</u> (Cont'd)
2.1		<u>Undertaking of the Telephone Company</u> (Cont'd)
		2.1.9 Limitation of Use of Metallic Facilities 2-12
		2.1.10 Notification of Service-Affecting Activities 2-13
		2.1.11 Coordination with Respect to Network Contingencies 2-13
		2.1.12 Provision and Ownership of Telephone Numbers 2-13
		2.1.13 Representation 2-13
		2.1.14 Metropolitan Statistical Area Access Service 2-14
2.2		<u>Use</u> 2-15
		2.2.1 Interference or Impairment 2-15
		2.2.2 Unlawful Use 2-16
2.3		<u>Obligations of the Customer</u> 2-17
		2.3.1 Damages 2-17
		2.3.2 Ownership of Facilities and Theft 2-17
		2.3.3 Equipment Space and Power 2-18
		2.3.4 Availability for Testing 2-18
		2.3.5 Balance 2-19
		2.3.6 Design of Customer Services 2-19
		2.3.7 References to the Telephone Company 2-19
		2.3.8 Claims and Demands for Damages 2-20
		2.3.9 Sectionalization - Trouble Reporting 2-21
		2.3.10 Coordination with Respect to Network Contingencies 2-21
		2.3.11 Jurisdictional Report Requirements 2-22
		2.3.12 Determination of Interstate Charges for Mixed Interstate and Intrastate Access Service, CCS/SS7 Interconnection Service and/or LIDB Access Service 2-39
		2.3.13 Certification of Special Access Lines as Interstate 2-40
		2.3.14 Identification and Rating of VoIP-PSTN Traffic 2-41.1 (N)

ISSUE DATE:
December 14, 2011Issued Under Transmittal No. 12
Vice President-Regulatory Operations
100 CenturyLink Drive
Monroe, Louisiana 71203EFFECTIVE DATE:
December 29, 2011

ACCESS SERVICE

TABLE OF CONTENTS (Cont'd)

	<u>Page No.</u>
2. <u>GENERAL REGULATIONS</u> (Cont'd)	
2.4 <u>Payment Arrangements and Credit Allowances</u>	2-42
2.4.1 Payment of Rates, Charges and Deposits	2-42
2.4.2 Minimum Period	2-51
2.4.3 Cancellation of an Order for Service	2-52
2.4.4 Credit Allowance for Service Interruptions	2-53
2.4.5 Customer Bill Verification	2-64
2.4.6 Re-establishment of Service Following Fire, Flood or Other Occurrence	2-64
2.4.7 Title or Ownership Rights	2-65
2.4.8 Ordering, Rating and Billing of Access Services Where More Than One Exchange Telephone Company or Rate Schedule is Involved	2-65
2.4.9 Service Performance Provisioning Guarantee	2-78
2.5 <u>Connections</u>	2-80
2.5.1 General	2-80
2.5.2 Connection with Unbundled Network Elements	2-80
2.6 <u>Definitions</u>	2-81
Access Code	2-81
Access Minutes	2-81
Access Tandem	2-81
Account	2-82
Aggregator	2-82
Alternate Billing Service	2-82
Answer Message	2-82

ISSUE DATE:
February 28, 2011

Issued Under Transmittal No. 1
Vice President-Regulatory Operations
100 CenturyLink Drive
Monroe, Louisiana 71203

EFFECTIVE DATE:
March 1, 2011

ACCESS SERVICE

TABLE OF CONTENTS (Cont'd)

	<u>Page No.</u>	
2.		<u>GENERAL REGULATIONS</u> (Cont'd)
2.6		<u>Definitions</u> (Cont'd)
	2-82	Answer/Disconnect Supervision
	2-83	Asynchronous
	2-83	Asynchronous Polled Interface (API)
	2-83	Attenuation Distortion
	2-83	B-Channel
	2-83	Balance (100 Type) Test Line
	2-83	Billed Number Screening (BNS)
	2-83	Business Data Services (BDS)
	2-83	Bit
	2-84	Business Day
	2-84	Byte
	2-84	Call
	2-84	Call Set-Up
	2-85	Carrier or Common Carrier
	2-85	Carrier Identification Parameter
	2-85	CCS
	2-85	Central Office
	2-85	Central Office Building
	2-85	Central Office Prefix
	2-85	Centralized Automatic Reporting on Trunks Testing
	2-86	Channel(s)
	2-86	Channel Service Unit
	2-86	Channelize
	2-86	Circuit Termination
	2-87	Clear Channel Capability (CCC)

(N)

ISSUE DATE:
October 17, 2017Issued Under Transmittal No. 96
Vice President-Regulatory Operations
100 CenturyLink Drive
Monroe, Louisiana 71203EFFECTIVE DATE:
November 1, 2017

ACCESS SERVICE

TABLE OF CONTENTS (Cont'd)

	<u>Page No.</u>	
2.		<u>GENERAL REGULATIONS</u> (Cont'd)
2.6		<u>Definitions</u> (Cont'd)
	2-87	C-Message Noise
	2-87	C-Notched Noise
	2-88	Collocation-POT
	2-88	Collocation Space
	2-88	Commingling
	2-88	Common Line
	2-88	Common Trunk Port
	2-89	Communications System
	2-89	Competitive Services
	2-89	Completed Call
	2-89	CCITT
	2-90	Conventional Signaling
	2-90	Cost
	2-90	Customer(s)
	2-90	Customer Designated Premises
	2-90	Customer Transport Facilities
	2-91	D-Channel
	2-91	DTE Backup
	2-91	Data Transmission (107 Type) Test Line
	2-91	Decibel
	2-92	Decibel Reference Noise C-Message Reference to 0
	2-92	Decibel Reference Noise C-Message Weighting
	2-92	Dedicated Trunk Port
	2-92	Detail Billing
		(N)
		(D)

ISSUE DATE:
 October 17, 2017

Issued Under Transmittal No. 96
 Vice President-Regulatory Operations
 100 CenturyLink Drive
 Monroe, Louisiana 71203

EFFECTIVE DATE:
 November 1, 2017

ACCESS SERVICE

TABLE OF CONTENTS (Cont'd)

	<u>Page No.</u>
2. <u>GENERAL REGULATIONS</u> (Cont'd)	
2.6 <u>Definitions</u> (Cont'd)	
Direct-Trunked Transport	2-93
Directory Assistance (Interstate)	2-93
Directory Assistance Location (Interstate)	2-93
Directory Number (DN)	2-94
Donor Switch	2-94
Dual Tone Multifrequency Address Signaling	2-94
Echo Control	2-94
Echo Path Loss	2-95
Echo Return Loss	2-95
Effective 2-Wire	2-95
Effective 4-Wire	2-95
End Office Switch	2-96
End User	2-97
Entry Switch	2-97
Envelope Delay Distortion	2-97
Equal Level Echo Path Loss	2-97
Exchange	2-98
Exchange Access Signaling	2-98
Exchange Termination	2-98
Exit Message	2-99
Expected Measured Loss	2-99
Extended Area Service	2-99

ISSUE DATE:
February 28, 2011

Issued Under Transmittal No. 1
Vice President-Regulatory Operations
100 CenturyLink Drive
Monroe, Louisiana 71203

EFFECTIVE DATE:
March 1, 2011

ACCESS SERVICE

TABLE OF CONTENTS (Cont'd)

	<u>Page No.</u>
2. <u>GENERAL REGULATIONS</u> (Cont'd)	
2.6 <u>Definitions</u> (Cont'd)	
Field Identifier	2-100
Firm Access Order	2-100
Firm Order Confirmation Date	2-100
First Come-First Served	2-100
First Point of Switching	2-101
Frequency Shift	2-101
Geographically Aggregated Rate (GAR)	2-101
Grandfathered	2-102
Holding Time	2-102
Host Office	2-102
Hub	2-103
Immediately Available Funds	2-103
Impedance Balance	2-103
Impulse Noise	2-104
Individual Case Basis	2-104
Initial Address Message	2-104
Inserted Connection Loss	2-104
Interconnector	2-104
Interexchange Carrier (IC) or Interexchange Common Carrier	2-105
Intermodulation Distortion	2-105
Interstate Communications	2-106
Interstate Service Arrangement	2-106
Intrastate Communications	2-106
Jointly Used Subscriber Plant	2-106
Kilobits Per Second (Kbps)	2-106
Kilopacket	2-107
Kilosegment	2-107

ISSUE DATE:
February 28, 2011

Issued Under Transmittal No. 1
Vice President-Regulatory Operations
100 CenturyLink Drive
Monroe, Louisiana 71203

EFFECTIVE DATE:
March 1, 2011

ACCESS SERVICE

TABLE OF CONTENTS (Cont'd)

	<u>Page No.</u>	
2.		<u>GENERAL REGULATIONS</u> (Cont'd)
2.6		<u>Definitions</u> (Cont'd)
	2-107	Line Information Data Base
	2-107	Line Side Connection
	2-107	Local Access and Transport Area (LATA)
	2-108	Local Calling Area
	2-108	Local Circuit Facility
	2-108	Local Tandem Switch
	2-108	Location Routing Number
	2-109	Loop Around Test Line
	2-109	Loss Deviation
	2-109	Maintenance Test Unit (MTU)
	2-110	Major Fraction Thereof
	2-110	Maritime Radio Common Carriers (MRCCs)
	2-110	Market Service Area
		Message
	2-110	Milliwatt (102 Type) Test Line
	2-111	Minutes of Use
	2-111	Multiline Business Customer
	2-111	N-1 Carrier
	2-111	Negotiation
	2-111	Network Control Signaling
	2-112	Network Processing Charge
	2-112	Non-Competitive Serving Wire Center
	2-112	Nonsynchronous Test Line
	2-112	North American Numbering Plan
	2-112	Off-hook
	2-113	On-hook
		(D)
		(N)

ISSUE DATE:
October 17, 2017Issued Under Transmittal No. 96
Vice President-Regulatory Operations
100 CenturyLink Drive
Monroe, Louisiana 71203EFFECTIVE DATE:
November 1, 2017

ACCESS SERVICE

TABLE OF CONTENTS (Cont'd)

	<u>Page No.</u>
2. <u>GENERAL REGULATIONS</u> (Cont'd)	
2.6 <u>Definitions</u> (Cont'd)	
Open Circuit Test Line	2-113
Operator Service System (OSS)	2-113
Originating Direction	2-114
Originating Point Code	2-114
Other Tariffed Services	2-114
Overlap Outpulsing	2-115
Packet	2-115
Pay Telephone	2-115
Permanent Virtual Circuit (PVC)	2-116
Personal Identification Number (PIN)	2-116
Phase Jitter	2-116
Point of Termination	2-116
Premises	2-116
Primary Exchange Carrier	2-117
Protocol	2-117
Query	2-117
Radio Common Carriers (RCCs)	2-117
Recipient Switch	2-117
Regional Number Portability Administration Center	2-117
Registered Equipment	2-118
Release Message	2-118
Remote Switching Modules and/or Remote Switching Systems	2-118

(D)
 (D)
 (D)
 (D)

ISSUE DATE:
 October 17, 2017

Issued Under Transmittal No. 96
 Vice President-Regulatory Operations
 100 CenturyLink Drive
 Monroe, Louisiana 71203

EFFECTIVE DATE:
 November 1, 2017

ACCESS SERVICE

TABLE OF CONTENTS (Cont'd)

	<u>Page No.</u>
2. <u>GENERAL REGULATIONS</u> (Cont'd)	
2.6 <u>Definitions</u> (Cont'd)	
Response	2-119
Responsible Organization	2-119
Return Loss	2-119
Reverse Charge Blocking	2-119
Secondary Exchange Carrier	2-119
Segment	2-120
Service Control Point	2-120
Service Switching Point (SSP)	2-120
Serving Wire Center	2-121
Seven Digit Manual Test Line	2-121
Short Circuit Test Line	2-121
Signal-To-C-Notched Noise Ratio	2-121
Signal Transfer Point (STP)	2-121
Signaling System 7 (SS7)	2-121
Singing Return Loss	2-122
Single Line Business Customer	2-122
Special Order	2-122
Statistical Multiplexing	2-122
Subtending End Office of an Access Tandem	2-122
Switch Termination	2-122
Synchronous	2-123
Synchronous Test Line	2-123
Synchronous Transport Signal Level (STS1)	2-123

(D)

ISSUE DATE:
October 17, 2017Issued Under Transmittal No. 96
Vice President-Regulatory Operations
100 CenturyLink Drive
Monroe, Louisiana 71203EFFECTIVE DATE:
November 1, 2017

ACCESS SERVICE

TABLE OF CONTENTS (Cont'd)

	<u>Page No.</u>
2. <u>GENERAL REGULATIONS</u> (Cont'd)	
2.6 <u>Definitions</u> (Cont'd)	
Tandem-Switched Transport	2-124
Terminating Direction	2-124
Throughput Class	2-124
Toll Free Code (TFC)	2-124
Toll Free Code Service Management System	2-124
Toll Free Code (TFC) Service Provider	2-125
Transmission Measuring (105 Type) Test Line/Responder	2-125
Transmission Path	2-125
Trunk	2-125
Trunk Group	2-126
Trunk Side Connection	2-126
Two-Wire to Four-Wire Conversion	2-126
Unbundled Network Elements (UNEs)	2-126
V and H Coordinates Method	2-126
Virtual Circuit	2-127
VoIP-PSTN Traffic	2-127
WATS Serving Office	2-127
Window Size	2-127
Wire Center	2-128

(N)

ISSUE DATE:
December 14, 2011Issued Under Transmittal No. 12
Vice President-Regulatory Operations
100 CenturyLink Drive
Monroe, Louisiana 71203EFFECTIVE DATE:
December 29, 2011

ACCESS SERVICE

TABLE OF CONTENTS (Cont'd)

	<u>Page No.</u>
3. <u>CARRIER COMMON LINE ACCESS SERVICE</u>	3-1
3.1 <u>General Description</u>	3-1
3.2 <u>Limitations</u>	3-2
3.2.1 Exclusions	3-2
3.2.2 Access Groups	3-2
3.2.3 WATS Special Access Circuits	3-2
3.3 <u>Undertaking of the Telephone Company</u>	3-3
3.3.1 Provision of Service	3-3
3.3.2 Interstate and Intrastate Use	3-3
3.4 <u>Obligations of the Customer</u>	3-3
3.4.1 Switched Access Service Requirement	3-3
3.4.2 Supervision	3-3
3.5 <u>Determination of Usage Subject to Carrier Common Line Access Charges</u>	3-3
3.5.1 Determination of Jurisdiction	3-4
3.5.2 Cases Involving Usage Recording By the Customer	3-4
3.5.3 Local Exchange Access and Enhanced Services Exemption	3-4
3.6 <u>Resold Services</u>	3-5
3.6.1 Scope	3-5
3.6.2 Customer Obligations Concerning the Resale of MTS and MTS-like Services	3-5
3.6.3 Resale Documentation Provided By the Customer	3-6
3.6.4 Rate Regulations Concerning the Resale of MTS and MTS-like Services	3-6

ISSUE DATE:
February 28, 2011

Issued Under Transmittal No. 1
Vice President-Regulatory Operations
100 CenturyLink Drive
Monroe, Louisiana 71203

EFFECTIVE DATE:
March 1, 2011

ACCESS SERVICE

TABLE OF CONTENTS (Cont'd)

	<u>Page No.</u>	
3.		<u>CARRIER COMMON LINE ACCESS SERVICE (Cont'd)</u>
3.7	3-13	<u>Reserved For Future Use</u>
3.8	3-14	<u>Rate Regulations</u>
3.8.1	3-14	Reserved For Future Use
3.8.2	3-14	Measuring and Recording of Call Detail
3.8.3	3-15	Unmeasured Feature Group A and B Usage
3.8.4	3-15	Percent Interstate Use (PIU)
		(C)
3.9	3-19	<u>Rates and Charges</u>
4.	4-1	<u>END USER ACCESS SERVICE</u>
4.1	4-1	<u>General Description</u>
4.2	4-1	<u>Limitations</u>
4.3	4-2	<u>Undertaking of the Telephone Company</u>
4.4	4-3	<u>Obligations of the End User</u>
4.5	4-3	<u>Payment Arrangements and Credit Allowances</u>
4.6	4-5	<u>Rate Regulations</u>
4.7	4-12	<u>Rates and Charges</u>
		(D)

ISSUE DATE:
January 30, 2014Issued Under Transmittal No. 51
Vice President-Regulatory Operations
100 CenturyLink Drive
Monroe, Louisiana 71203EFFECTIVE DATE:
February 14, 2014

ACCESS SERVICE

TABLE OF CONTENTS (Cont'd)

	<u>Page No.</u>
5. <u>ORDERING OPTIONS FOR SWITCHED AND SPECIAL ACCESS SERVICE</u>	5-1
5.1 <u>General</u>	5-1
5.1.1 Ordering Conditions	5-1
5.1.2 Provision of Other Services	5-3
5.1.3 Special Construction	5-4
5.1.4 Discontinuance of Service	5-4
5.1.5 Service Rearrangements	5-4
5.2 <u>Access Order</u>	5-5
5.2.1 Access Order Service Date Intervals	5-13
5.2.2 Access Order Charge	5-15
5.2.3 Access Order Modifications	5-17
5.2.4 Cancellation of an Access Order	5-25
5.2.5 Selection of Facilities For Access Orders	5-28
5.2.6 Minimum Period	5-29
5.2.7 Minimum Period Charges	5-31
5.2.8 Shared Use Facilities	5-32
5.3 <u>Available Inventory</u>	5-32
5.4 <u>Switched Access Service Minimum Capacity Requirements</u>	5-32

ISSUE DATE:
February 28, 2011

Issued Under Transmittal No. 1
Vice President-Regulatory Operations
100 CenturyLink Drive
Monroe, Louisiana 71203

EFFECTIVE DATE:
March 1, 2011

ACCESS SERVICE

TABLE OF CONTENTS (Cont'd)

	<u>Page No.</u>
6. <u>SWITCHED ACCESS SERVICE</u>	6-1
6.1 <u>General</u>	6-1
6.1.1 Switched Access Service Arrangements and Manner of Provision	6-2
6.1.2 Rate Categories	6-10
6.1.3 Special Facilities Routing	6-42
6.1.4 Design Layout Report	6-42
6.1.5 Testing	6-43
6.1.6 Ordering Options and Conditions	6-45
6.1.7 CCS7 Testing Requirements	6-45
6.2 <u>Provision and Description of Switched Access Service Arrangements</u>	6-46
6.2.1 Feature Group A (FGA)	6-48
6.2.2 Feature Group B (FGB)	6-55
6.2.3 Feature Group C (FGC)	6-53
6.2.4 Feature Group D (FGD)	6-70
6.2.5 Toll Free Code (TFC) Access Service	6-79
6.2.6 900 Access Service	6-85
6.2.7 Interim 500 Access Service	6-88
6.2.8 Reserved For Future Use	6-91
6.2.9 Reserved For Future Use	6-91
6.3 <u>Optional Features</u>	6-92
6.3.1 End Office Signaling Service	6-117

ISSUE DATE:
February 28, 2011

Issued Under Transmittal No. 1
Vice President-Regulatory Operations
100 CenturyLink Drive
Monroe, Louisiana 71203

EFFECTIVE DATE:
March 1, 2011

ACCESS SERVICE

TABLE OF CONTENTS (Cont'd)

	<u>Page No.</u>	
6.		<u>SWITCHED ACCESS SERVICE</u> (Cont'd)
6.4		<u>Service Provisioning</u> 6-120
		6.4.1 Standard Transmission Specifications 6-120
		6.4.2 Data Transmission Parameters 6-128
		6.4.3 Interface Groups 6-131 (Z)
6.5		<u>Obligations of the Telephone Company</u> 6-141
		6.5.1 Network Management 6-141
		6.5.2 Design and Traffic Routing of Switched Access Service 6-142
		6.5.3 Provision of Service Performance Data 6-144
		6.5.4 Trunk Group Measurement Reports 6-144
		6.5.5 Determination of Number of Transmission Paths 6-144
		6.5.6 Design Blocking Probability 6-145
6.6		<u>Obligations of the Customer</u> 6-148
		6.6.1 Report Requirements 6-148
		6.6.2 Supervisory Signaling 6-150
		6.6.3 Trunk Group Measurement Reports 6-150
		6.6.4 Design of Switched Access Services 6-150
		6.6.5 Customer's V&H Location 6-150
6.7		<u>Rate Regulations</u> 6-151
		6.7.1 Description and Application of Rates and Charges 6-151
		6.7.2 Minimum Periods 6-168

ISSUE DATE:
January 30, 2014Issued Under Transmittal No. 51
Vice President-Regulatory Operations
100 CenturyLink Drive
Monroe, Louisiana 71203EFFECTIVE DATE:
February 14, 2014

ACCESS SERVICE

TABLE OF CONTENTS (Cont'd)

	<u>Page No.</u>
6. <u>SWITCHED ACCESS SERVICE</u> (Cont'd)	
6.7 <u>Rate Regulations</u> (Cont'd)	
6.7.3 Minimum Monthly Charge	6-168
6.7.4 Change of Feature Group Type	6-169
6.7.5 Moves	6-171
6.7.6 Accumulation of Number of Transmission Paths	6-172
6.7.7 Measuring Access Minutes	6-172
6.7.8 Network Blocking Charge for Feature Group D	6-183
6.7.9 Application of Rates for Extension Service	6-184
6.7.10 Message Unit Credit	6-184
6.7.11 Local Information Delivery Services	6-184
6.7.12 Mileage Measurement	6-185
6.7.13 Shared Use	6-191
6.7.14 Reserved For Future Use	6-191
6.7.15 Interim 500 or 900 NXX in Multi-State LATAs	6-191
6.7.16 Facility Hubs	6-192
6.7.17 Switched Access Zone Density Plan	6-193
6.8 <u>Rates and Charges</u>	6-206
6.8.1 Reserved For Future Use	6-206
6.8.2 Switched Transport	6-206
6.8.3 Local Switching	6-263
6.8.4 Toll Free Code (TFC) Access Service	6-269
6.8.5 900 Access Service	6-271
6.8.6 Interim 500 Access Service	6-273
6.9 <u>Individual Case Filings</u>	6-278

ISSUE DATE:
February 28, 2011

Issued Under Transmittal No. 1
Vice President-Regulatory Operations
100 CenturyLink Drive
Monroe, Louisiana 71203

EFFECTIVE DATE:
March 1, 2011

ACCESS SERVICE

TABLE OF CONTENTS (Cont'd)

	<u>Page No.</u>	
7. <u>SPECIAL ACCESS SERVICE</u>	7-1	
7.1 <u>General</u>	7-1.8	(C)
7.1.1 Channel Types	7-2	
7.1.2 Rate Categories	7-5	
7.1.3 Service Configurations	7-8	
7.1.4 Alternate Use	7-12	
7.1.5 Special Facilities Routing	7-12	
7.1.6 Design Layout Report	7-13	
7.1.7 Acceptance Testing	7-13	
7.1.8 Ordering Options and Conditions	7-14	
7.2 <u>Service Descriptions</u>	7-15	
7.2.1 Reserved For Future Use	7-17	
7.2.2 Voice Grade Service	7-18	
7.2.3 Program Audio Service	7-27	
7.2.4 Video Service	7-31	
7.2.5 Reserved For Future Use	7-35	
7.2.6 Reserved For Future Use	7-35	
7.2.7 Digital Data Service	7-36	
7.2.8 High Capacity Service	7-40	
7.2.9 Special Access Service Utilized for Connection with Switched Access Service	7-66	
7.2.10 Reserved for Future Use	7-76	(C)
7.2.11 Reserved For Future Use	7-77	
7.2.12 Reserved for Future Use	7-78	(C)
7.2.13 Reserved For Future Use	7-83	
7.2.14 Reserved For Future Use	7-83	
7.2.15 Reserved For Future Use	7-83	
7.2.16 Reserved For Future Use	7-84	
7.2.17 Reserved For Future Use	7-90.1	

ISSUE DATE:
October 17, 2017Issued Under Transmittal No. 96
Vice President-Regulatory Operations
100 CenturyLink Drive
Monroe, Louisiana 71203EFFECTIVE DATE:
November 1, 2017

ACCESS SERVICE

TABLE OF CONTENTS (Cont'd)

	<u>Page No.</u>	
7.		<u>SPECIAL ACCESS SERVICE (Cont'd)</u>
7.3	7-91	<u>Channel Interface and Network Channel Codes</u>
7.3.1	7-92	Glossary of Channel Interface Codes and Options
7.3.2	7-99	Impedance
7.3.3	7-100	Digital Hierarchy Channel Interface Codes (4DS)
7.3.4	7-101	Service Designator/Network Channel Code Conversion Table
7.3.5	7-103	Compatible Channel Interfaces
7.4	7-125	<u>Rate Regulations</u>
7.4.1	7-125	Type of Rates and Charges
7.4.2	7-132	Surcharge for Special Access Service
7.4.3	7-138	Minimum Periods
7.4.4	7-138	Reserved for Future Use
7.4.5	7-138	Moves
7.4.6	7-140	Reserved for Future Use
7.4.7	7-141	Facility Hubs
7.4.8	7-144	Shared Use of Digital High Capacity Service
7.4.9	7-146	Reserved for Future Use
7.4.10	7-147	High Capacity Zone Density Plan
7.4.11	7-159	Special Access Term Discount Plan
7.4.12	7-170	Reserved for Future Use
7.4.13	7-172	Reserved for Future Use
7.4.14	7-173	Reserved for Future Use
7.4.15	7-175	Reserved For Future Use
7.4.16	7-176	Premier Term Discount Plan
7.4.17	7-185	Reserved For Future Use
7.4.18	7-185	Reserved For Future Use
7.4.19	7-186	Reserved for Future Use
7.4.20	7-195	Reserved For Future Use
7.4.21	7-223.1	Reserved For Future Use

ISSUE DATE:
October 17, 2017Issued Under Transmittal No. 96
Vice President-Regulatory Operations
100 CenturyLink Drive
Monroe, Louisiana 71203EFFECTIVE DATE:
November 1, 2017

ACCESS SERVICE

TABLE OF CONTENTS (Cont'd)

	<u>Page No.</u>	
7.		<u>SPECIAL ACCESS SERVICE (Cont'd)</u>
7.5		<u>Rates and Charges</u>
7.5.1	7-224	Optical Service Charge
7.5.2	7-225	Voice Grade Service
7.5.3	7-239	Program Audio Service
7.5.4	7-248	Video Service
7.5.5	7-250	Reserved For Future Use
7.5.6	7-250	Reserved For Future Use
7.5.7	7-251	Digital Data Service
7.5.8	7-257	High Capacity Service
7.5.9	7-304	Special Access Surcharge
7.5.10	7-305	Special Access Term Discount Plan
7.5.11	7-350	Reserved for Future Use
7.5.12	7-350	Reserved For Future Use
7.5.13	7-351	Reserved for Future Use
7.5.14	7-383	Special Access Premier Term Discount Plan
7.5.15	7-424	Reserved For Future Use
7.5.16	7-424	Reserved For Future Use
7.5.17	7-425	Reserved for Future Use
7.5.18	7-426	Reserved For Future Use
7.5.19	7-504	Reserved For Future Use
7.5.20	7-505.5	Reserved For Future Use
7.5.21	7.505.10	Reserved For Future Use
7.6		<u>Individual Case Filings</u>
	7-504	

ISSUE DATE:
October 17, 2017Issued Under Transmittal No. 96
Vice President-Regulatory Operations
100 CenturyLink Drive
Monroe, Louisiana 71203EFFECTIVE DATE:
November 1, 2017

ACCESS SERVICE

TABLE OF CONTENTS (Cont'd)

	<u>Page No.</u>	
8. <u>SPECIALIZED NETWORK SERVICES</u>	8-1	
8.1 <u>General</u>	8-1	
8.2 <u>Reserved For Future Use</u>	8-1	
8.3 <u>Reserved for Future Use</u>	8-2	(C)
		(D)
		(D)
		(D)
		(D)
		(D)
8.4 <u>Wide Area Data Network Service</u>	8-28	
8.4.1 Service Description	8-28	
8.4.2 Rate Regulations	8-28	
8.4.3 Rates and Charges	8-29	

ISSUE DATE:
October 17, 2017

Issued Under Transmittal No. 96
Vice President-Regulatory Operations
100 CenturyLink Drive
Monroe, Louisiana 71203

EFFECTIVE DATE:
November 1, 2017

ACCESS SERVICE

TABLE OF CONTENTS (Cont'd)

	<u>Page No.</u>
9. <u>DIRECTORY ASSISTANCE SERVICE</u>	9-1
9.1 <u>General Description</u>	9-1
9.2 <u>Undertaking of the Telephone Company</u>	9-1
9.3 <u>Obligations of the Customer</u>	9-8
9.4 <u>Payment Arrangements</u>	9-9
9.5 <u>Rates and Regulations</u>	9-12
9.6 <u>Rates and Charges</u>	9-13
9.7 <u>Directory Assistance Service Locations</u>	9-14
10. <u>SPECIAL FEDERAL GOVERNMENT ACCESS SERVICES</u>	10-1
10.1 <u>General</u>	10-1
10.2 <u>Emergency Conditions</u>	10-1
10.3 <u>Intervals to Provide Service</u>	10-2
10.4 <u>Safeguarding of Service</u>	10-2
10.4.1 Facility Availability	10-2
10.5 <u>Federal Government Regulations</u>	10-3
10.6 <u>Service Offerings to the Federal Government</u>	10-3
10.6.1 Type and Description	10-3
10.6.2 Mileage Application	10-9
10.6.3 Rates and Charges	10-9

ISSUE DATE:
February 28, 2011

Issued Under Transmittal No. 1
Vice President-Regulatory Operations
100 CenturyLink Drive
Monroe, Louisiana 71203

EFFECTIVE DATE:
March 1, 2011

ACCESS SERVICE

TABLE OF CONTENTS (Cont'd)

	<u>Page No.</u>
11. <u>SPECIAL FACILITIES ROUTING OF ACCESS SERVICES</u>	11-1
11.1 <u>Description of Special Facilities Routing of Access Services</u>	11-1
11.1.1 Diversity	11-1
11.1.2 Avoidance	11-1
11.1.3 Cable-Only Facilities	11-1
11.2 <u>Rates and Charges for Special Facilities Routing of Access Service</u>	11-2
11.2.1 Diversity	11-2
11.2.2 Avoidance	11-3
11.2.3 Diversity and Avoidance Combined	11-3
11.2.4 Cable-Only Facilities	11-3
11.2.5 Individual Case Basis (ICB) Filings	11-4
12. <u>SPECIALIZED SERVICES OR ARRANGEMENTS</u>	12-1
12.1 <u>General</u>	12-1
12.2 <u>Move Charges</u>	12-1
12.3 <u>Rates and Charges</u>	12-2
13. <u>ADDITIONAL LABOR AND MISCELLANEOUS SERVICES</u>	13-1
13.1 <u>Additional Labor</u>	13-1
13.1.1 Engineering	13-1
13.1.2 Overtime Installation	13-2
13.1.3 Overtime Repair	13-2
13.1.4 Stand By	13-2

ISSUE DATE:
February 28, 2011

Issued Under Transmittal No. 1
Vice President-Regulatory Operations
100 CenturyLink Drive
Monroe, Louisiana 71203

EFFECTIVE DATE:
March 1, 2011

ACCESS SERVICE

TABLE OF CONTENTS (Cont'd)

	<u>Page No.</u>
13. <u>ADDITIONAL LABOR AND MISCELLANEOUS CHARGES</u> (Cont'd)	
13.1 <u>Additional Labor</u> (Cont'd)	
13.1.5 Testing and Maintenance with Other Telephone Companies	13-2
13.1.6 Additional Installation Testing	13-3
13.1.7 Other Labor	13-3
13.1.8 Charges for Additional Labor	13-3
13.1.9 Maintenance of Service	13-4
13.1.10 Testing Services	13-5
13.2 <u>Additional Labor Rates</u>	13-13
13.3 <u>Miscellaneous Services</u>	13-16
13.3.1 Additional Testing Services	13-16
13.3.2 Presubscription	13-19
13.3.3 Reserved For Future Use	13-26
13.3.4 Provision of Access Service Billing Information	13-26
13.3.5 Billing Name and Address	13-30
13.3.6 Telecommunications Service Priority (TSP) System	13-34
13.3.7 Blocking and Screening Services	13-41
13.3.8 900 Access Blocking	13-44
13.3.9 Carrier Call Transfer Service	13-45
13.3.10 Pay Telephone Optional Features	13-48
13.3.11 Individual Case Filings	13-52

ISSUE DATE:
February 28, 2011

Issued Under Transmittal No. 1
Vice President-Regulatory Operations
100 CenturyLink Drive
Monroe, Louisiana 71203

EFFECTIVE DATE:
March 1, 2011

ACCESS SERVICE

TABLE OF CONTENTS (Cont'd)

	<u>Page No.</u>
14. <u>SPECIAL CONSTRUCTION</u>	14-1
14.1 <u>General</u>	14-1
14.2 <u>Regulations</u>	14-2
14.2.1 Filing of Charges	14-2
14.2.2 Ownership of Facilities	14-2
14.2.3 Interval to Provide Facilities	14-2
14.2.4 Special Construction Involving Both Interstate and Intrastate Facilities	14-3
14.2.5 Payments for Special Construction	14-3
14.2.6 Liabilities and Charges for Special Construction	14-4
14.2.7 Deferral of Start of Service	14-18
14.2.8 Definitions	14-19
14.3 <u>Rates and Charges</u>	14-22
14.3.1 Charges to Provide Permanent Facilities to the Federal Government	14-22
14.3.2 Charges to Provide Permanent Facilities Other Than to the Federal Government	14-23
15. <u>COMMON CHANNEL SIGNALING/SIGNALING SYSTEM 7 (CCS/SS7) DATA BASE SERVICES</u>	15-1
15.1 <u>Line Information Data Base (LIDB) Access Service</u>	15-1
15.1.1 General	15-1
15.1.2 Description	15-1
15.1.3 Undertakings of the Telephone Company	15-5
15.1.4 Obligations of the Customer	15-9
15.1.5 Rate Regulations	15-9
15.1.6 Rate and Charges	15-14

ISSUE DATE:
February 28, 2011

Issued Under Transmittal No. 1
Vice President-Regulatory Operations
100 CenturyLink Drive
Monroe, Louisiana 71203

EFFECTIVE DATE:
March 1, 2011

ACCESS SERVICE

TABLE OF CONTENTS (Cont'd)

	<u>Page No.</u>
16. <u>OPERATOR SERVICES</u>	16-1
16.1 <u>Operator Services Description</u>	16-1
16.1.1 Operator Transfer Service (OTS)	16-1
16.2 <u>Manner of Provisioning</u>	16-2
16.2.1 Operator Transfer	16-3
16.2.2 Signaling	16-4
16.2.3 Design Layout Report	16-4
16.2.4 Design Blocking	16-5
16.2.5 Testing	16-5
16.2.6 Interface Groups and Transmission Parameters	16-5
16.2.7 Ordering and Billing Options and Conditions	16-5
16.3 <u>Liability of the Telephone Company</u>	16-6
16.4 <u>Obligations of the Customer</u>	16-7
16.5 <u>Rate Regulations</u>	16-8
16.5.1 Description and Application of Rates and Charges	16-8
16.5.2 Rates and Charges	16-9
17. <u>EXPANDED INTERCONNECTION SERVICES</u>	17-1
17.1 <u>Basic Service Description</u>	17-1
17.2 <u>Regulations</u>	17-8
17.3 <u>Liability</u>	17-12
17.4 <u>Network Compatibility and Standards</u>	17-14
17.5 <u>Physical Collocation</u>	17-15
17.6 <u>Virtual Collocation</u>	17-27

(D)

* New or Revised Page.

ISSUE DATE:
September 16, 2016Issued Under Transmittal No. 86
Vice President-Regulatory Operations
100 CenturyLink Drive
Monroe, Louisiana 71203EFFECTIVE DATE:
October 1, 2016

ACCESS SERVICE

TABLE OF CONTENTS (Cont'd)

	<u>Page No.</u>	
17.		<u>EXPANDED INTERCONNECTION SERVICES</u> (Cont'd)
17.7	17-32	<u>Rates and Charges</u>
17.8	17-57	<u>Individual Case Filings</u>
18.	18-1	<u>RESERVED FOR FUTURE USE</u>
		(C) (D)
		(D)
19.	19-1	<u>PROMOTIONAL OFFERINGS</u>
19.1	19-1	<u>General</u>
19.2	19-1	<u>Terms, Conditions, Rates and Charges</u>
20	20-1	<u>LOCAL NUMBER PORTABILITY QUERY SERVICE</u>
20.1	20-1	<u>General</u>
20.2	20-2	<u>Service Provisioning</u>
20.3	20-3	<u>LNP Query Service Application</u>
20.4	20-5	<u>Rate Regulations</u>
20.5	20-6	<u>Rates and Charges</u>

Material deleted from this page now appears in Brightspeed Local Operating Companies Tariff F.C.C. NO. 9.

(N)
(N)

ISSUE DATE:
September 19, 2022

Issued Under Transmittal No. 125
Vice President-Regulatory Operations
100 CenturyLink Drive
Monroe, Louisiana 71203

EFFECTIVE DATE:
October 4, 2022

ACCESS SERVICE

TABLE OF CONTENTS (Cont'd)

	<u>Page No.</u>
21. <u>PRICING FLEXIBILITY SWITCHED ACCESS SERVICE</u>	21-1
21.1 <u>General Regulations</u>	21-1
21.2 <u>Application of Rates and Charges</u>	21-2
21.3 <u>Metropolitan Statistical Areas (MSAs)</u>	21-4
21.4 <u>Reserved For Future Use</u>	21-14
21.5 <u>Reserved For Future Use</u>	21-14
21.6 <u>Reserved For Future Use</u>	21-14
21.7 <u>Reserved For Future Use</u>	21-14
21.8 <u>Rates and Charges</u>	21-15
21.8.1 Reserved For Future Use	21-15
21.8.2 Switched Transport	21-15

ISSUE DATE:
February 28, 2011

Issued Under Transmittal No. 1
Vice President-Regulatory Operations
100 CenturyLink Drive
Monroe, Louisiana 71203

EFFECTIVE DATE:
March 1, 2011

ACCESS SERVICE

TABLE OF CONTENTS (Cont'd)

	<u>Page No.</u>
22. <u>Reserved for Future Use</u>	22-1

ISSUE DATE:
October 17, 2017

Issued Under Transmittal No. 96
Vice President-Regulatory Operations
100 CenturyLink Drive
Monroe, Louisiana 71203

EFFECTIVE DATE:
November 1, 2017

ACCESS SERVICE

TABLE OF CONTENTS (Cont'd)

	<u>Page No.</u>
23. <u>PRICING FLEXIBILITY ORDERING OPTIONS, ADDITIONAL LABOR AND MISCELLANEOUS SERVICES</u>	23-1
23.1 <u>General Regulations</u>	23-1
23.2 <u>Application of Rates and Charges</u>	23-2
23.3 <u>Metropolitan Statistical Areas (MSAs)</u>	23-3
23.4 <u>Rates and Charges</u>	23-13
23.4.1 Access Order Charge	23-13
23.4.2 Design Change Charge	23-14
23.4.3 Expedited Order Charge	23-15
23.4.4 Additional Labor Rates	23-16
23.4.5 Miscellaneous Services	23-19
24. <u>Reserved for Future Use</u>	24-1

ISSUE DATE:
October 17, 2017Issued Under Transmittal No. 96
Vice President-Regulatory Operations
100 CenturyLink Drive
Monroe, Louisiana 71203EFFECTIVE DATE:
November 1, 2017

ACCESS SERVICE

CONCURRING CARRIERS

NO CONCURRING CARRIERS

CONNECTING CARRIERS

NO CONNECTING CARRIERS

OTHER PARTICIPATING CARRIERS

NO OTHER PARTICIPATING CARRIERS

ISSUE DATE:
February 28, 2011

Issued Under Transmittal No. 1
Vice President-Regulatory Operations
100 CenturyLink Drive
Monroe, Louisiana 71203

EFFECTIVE DATE:
March 1, 2011

ACCESS SERVICE

EXPLANATION OF SYMBOLS

- (C) - To signify changed regulation
- (D) - To signify discontinued rate or regulation
- (I) - To signify increase
- (M) - To signify matter relocated without change
- (N) - To signify new rate or regulation
- (R) - To signify reduction
- (S) - To signify reissued matter
- (T) - To signify a change in text but no change in rate or regulation
- (Z) - To signify a correction

EXPLANATION OF ABBREVIATIONS

- ac - alternating current
- ABS - Alternate Billing Service
- AML - Actual Measured Loss
- ANI - Automatic Number Identification
- AP - Program Audio
- ASR - Access Service Request
- AT&T - American Telephone and Telegraph Company
- AUL - Annual Underutilization Liability
- AULP - Annual Underutilization Liability Per Pair
- BD - Business Day
- BDS - Business Data Services (N)
- BNS - Billed Number Screening
- CCSA - Common Control Switching Arrangement(s)
- CCS/SS7 - Common Channel Signaling/Signaling System 7
- CI - Channel Interface
- CLLI - Common Language Location Identification
- CNCC - Customer Network Control Center
- CO - Central Office
- COCTX - Central Office Centrex
- Cont'd - Continued
- CPN - Calling Party Number
- CSACC - Customer Service Administration Control Center
- CSP - Carrier Selection Parameter
- Ctx - Centrex
- DA - Digital Data Access
- dB - decibel
- dBrnCO - Decibel Reference Noise C-Message Weighted 0
- dc - direct current
- EML - Expected Measured Loss

ISSUE DATE:
October 17, 2017

Issued Under Transmittal No. 96
Vice President-Regulatory Operations
100 CenturyLink Drive
Monroe, Louisiana 71203

EFFECTIVE DATE:
November 1, 2017

ACCESS SERVICE

EXPLANATION OF ABBREVIATIONS

ESS	-	Electronic Switching System	
ESSX	-	Electronic Switching System Exchange	
EUCL	-	End User Common Line	
EUCT	-	End User Channel Termination	(N)
f	-	frequency	
F.C.C.	-	Federal Communications Commission	
FX	-	Foreign Exchange	
GAR	-	Geographically Aggregated Rate	
HC	-	High Capacity	
Hz	-	Hertz	
IC	-	Interexchange Carrier	
ICB	-	Individual Case Basis	
ILP	-	Initial Liability Period	
kbps	-	kilobits per second	
kHz	-	kilohertz	
LATA	-	Local Access and Transport Area	
LDMTS	-	Long Distance Message Telecommunications Service(s)	
LIDB	-	Line Information Data Base	
LNP	-	Local Number Portability	
LRN	-	Location Routing Number	
LSP	-	Local Service Provider	
Ma	-	milliamperes	
Mbps	-	Megabits per second	
MHz	-	Megahertz	
MOU	-	Minutes of Use	
MRC	-	Monthly Recurring Charge	
MT	-	Metallic	
MTL	-	Maximum Termination Liability	
MTS	-	Message Telecommunications Service(s)	
MTS/WATS	-	Message Telecommunications Service and/or Wide Area Telecommunications Service	
N/A	-	Not Available at this time	
NPA	-	Numbering Plan Area	

ISSUE DATE:
October 17, 2017Issued Under Transmittal No. 96
Vice President-Regulatory Operations
100 CenturyLink Drive
Monroe, Louisiana 71203EFFECTIVE DATE:
November 1, 2017

ACCESS SERVICE

EXPLANATION OF ABBREVIATIONS

NRC	-	Nonrecurring Charge
NTS	-	Non-Traffic Sensitive
NXX	-	Three Digit Central Office Code
OPC	-	Originating Point Code
OSS	-	Operator Service System
PBX	-	Private Branch Exchange
PCM	-	Pulse Code Modulation
PI	-	Priority Installation
PIN	-	Personal Identification Number
PIU	-	Percent Interstate Usage
PLR	-	Private Line Ringdown
POT	-	Point of Termination
PR	-	Priority Restoration
PSTN	-	Public Switched Telephone Network
RC	-	Rate Category
RCCs	-	Radio Common Carriers
RMC	-	Recurring Monthly Charge
rms	-	root-mean-square
SCP	-	Service Control Point
SLC	-	Subscriber Line Charge
SSN	-	Switched Service Network
STP	-	Signal Transfer Point
SWC	-	Serving Wire Center
TDM	-	Time Division Multiplexing
TES	-	Telephone Exchange Service(s)
TLP	-	Transmission Level Point
TSP	-	Telecommunications Service Priority
TSPS	-	Traffic Service Position System
TV	-	Television
UNEs	-	Unbundled Network Elements
USOC	-	Uniform Service Order Code
VG	-	Voice Grade
V & H	-	Vertical & Horizontal
VoIP	-	Voice over Internet Protocol
WATS	-	Wide Area Telecommunications Service(s)
WCH	-	Wire Center Horizontal
WCV	-	Wire Center Vertical

(N)

ISSUE DATE:
September 14, 2018Issued Under Transmittal No. 102
Vice President-Regulatory Compliance & Analytics
100 CenturyLink Drive
Monroe, Louisiana 71203EFFECTIVE DATE:
October 1, 2018

ACCESS SERVICE

REFERENCE TO OTHER TARIFFS

Whenever reference is made in this tariff to other tariffs of the Telephone Company, the reference is to the tariffs in force as of the effective date of this tariff, and to amendments thereto and successive issues thereof.

The following tariffs and technical publications are referenced in this tariff and may be obtained from the National Exchange Carrier Association, Inc., Director - Access Tariffs, 100 So. Jefferson Road, Whippany, NJ 07981 or the Federal Communications Commission's commercial contractor.

National Exchange Carrier
Association, Inc.
Wire Center Information
Tariff F.C.C. No. 4

National Exchange Carrier
Association, Inc.
Access Service
Tariff F.C.C. No. 5

PUB AS No. 1, Issue II
Access Service
Issue Date May, 1984

ISSUE DATE:
February 28, 2011

Issued Under Transmittal No. 1
Vice President-Regulatory Operations
100 CenturyLink Drive
Monroe, Louisiana 71203

EFFECTIVE DATE:
March 1, 2011

ACCESS SERVICE

REFERENCE TO OTHER PUBLICATIONS

The following publications are referenced in this tariff and may be obtained from the Alliance for Telecommunications Industry Solutions (ATIS), OBF Document Orders, 1200 G Street, N.W., Suite 500, Washington, DC 20015, Voice 1-800-387-2199, Facsimile 202-383-5453 (www.atis.org).

ATIS/OBF-MECAB-006
Multiple Exchange Carrier Access Billing (MECAB) Guidelines
Issue Date February, 1998

SR STS-002643
Multiple Exchange Carriers Ordering and Design (MECOD)
Issue Date February, 1996

The following technical publications are referenced in this tariff and may be obtained from Telcordia Technologies, Inc. [formerly Bell Communications Research, Inc. (Bellcore)], 8 Corporate Place, Piscataway, NJ 08854-4156 (www.telcordia.com).

Data Communications Using Voiceband Private Line Channels
Document Number MDP-326-584
Issue Number 01
Issue Date October 1973
Replaces PUB 41004

Digital Data System Channel Interface Specification
Document Number MDP-326-726
Issue Number 01
Issue Date September 1983
Replaces PUB 62310

High-Capacity Digital Special Access Service Transmission Parameter Limits and Interface Combinations
Document Number GR-342
Issue Number 01
Issue Date December 1995
Replaces PUB 62508, TP-76625 and TR-INS-000342

ISSUE DATE:
February 28, 2011

Issued Under Transmittal No. 1
Vice President-Regulatory Operations
100 CenturyLink Drive
Monroe, Louisiana 71203

EFFECTIVE DATE:
March 1, 2011

ACCESS SERVICE

REFERENCE TO OTHER PUBLICATIONS (Cont'd)

DS1 High-Capacity Digital Service End User Metallic Interface Specifications
Document Number GR-54
Issue Number 01
Issue Date December 1995
Replaces PUB 62411 and TR-NPL-000054

Telcordia Technologies Specification of Signalling System Number 7
Document Number GR-246
Issue Number 05
Issue Date December 2000
Replaces TR-NPL-000246

Voice Grade Switched Access Service with Tandem Signaling: Transmission Parameter
Limits and Interface Combinations
Document Number GR-334
Issue Number 01
Issue Date November 1994
Replaces PUB 62500, TR-NPL-000334 and TR-NWT-000334

(Z)

Voice Grade Special Access Service – Transmission Parameter Limits and Interface
Combinations
Document Number TR-NWT-000335
Issue Number 03
Issue Date May 1993
Replaces PUB 62501, TR-NPL-000335 and TR-TSY-000335

Program Audio Special Access and Local Channel Services
Document Number GR-337
Issue Number 01
Issue Date December 1995
Replaces PUB 62503 and TR-NPL-000337

ISSUE DATE:
January 30, 2014

Issued Under Transmittal No. 51
Vice President-Regulatory Operations
100 CenturyLink Drive
Monroe, Louisiana 71203

EFFECTIVE DATE:
February 14, 2014

ACCESS SERVICE

REFERENCE TO OTHER PUBLICATIONS (Cont'd)

Television Special Access and Local Channel Services – Transmission Parameter Limits and Interface Combinations
Document Number GR-338
Issue Number 01
Issue Date December 1995
Replaces PUB 62504, TR-NPL-000338 and TR-TSV-000338

Digital Data Special Access Service – Transmission Parameter Limits and Interface Combinations
Document Number TR-NWT-000341
Issue Number 02
Issue Date February 1993
Replaces PUB 62310, PUB 62507 and TR-NPL-000341

Common Channel Signaling Network Interface Specifications (CCSNIS) Supporting Network Interconnection, Message Transfer Part (MTP) and Integrated Services Digital Network User Part (ISDNUP)
Document Number GR-905
Issue Number 04
Issue Date December 2000
Replaces TR-TSV-000905

Common Channel Signaling (CCS) Network Interface Specifications (CCSNIS) Supporting Line Information Database (LIDB) Service
Document Number GR-954
Issue Date December 2000
Replaces: TR-TSV-000954

LATA Switching Systems Generic Requirements (LSSGR)
Document Number FR-64
Issue Number 01
Issue Date June 2000
Replaces TR-TSY-00064

ISSUE DATE:
February 28, 2011

Issued Under Transmittal No. 1
Vice President-Regulatory Operations
100 CenturyLink Drive
Monroe, Louisiana 71203

EFFECTIVE DATE:
March 1, 2011

ACCESS SERVICE

REFERENCE TO OTHER PUBLICATIONS (Cont'd)

Operator Services Systems Generic Requirements (OSSGR)
Document Number FR-271
Issue Number 000
Issue Date April 2000
Replaces TR-TSY-000271

(D)
||
(D)

The following publications are referenced in this tariff and may be obtained from the Government Printing Office, Superintendent of Documents, Document Control Branch, 941 N. Capital Street, N.E., Washington, D.C. 20401.

Telecommunications Service Priority (TSP) System for National Security Emergency Preparedness (NSEP) Service Vendor Handbook, National Communications System Document Number NCSH 3-1-2
Issue Date July 1990

Telecommunications Service Priority (TSP) System for National Security Emergency Preparedness (NSEP) Service User Manual, National Communications System Document Number NCSM 3-1-1
Issue Date July 1990

The following publications are referenced in this tariff and may be obtained from the American National Standards Institute (ANSI), 11 West 42nd Street, New York, New York 10036.

ANSI / IEEE X3.802.3 Issue Date March 2002
ANSI / IEEE X3.802.3u Issue Date June 1995
ANSI / IEEE X3.802.3z Issue Date June 1998

The following publication is referenced in this tariff and may be obtained from the Society of Motion Picture and Television engineers (SMPTE), 595 W. Hartsdale Avenue, White Plains, New York 10607.

ANSI / SMPTE 259M Issue Date September 1997

ACCESS SERVICE

REFERENCE TO OTHER PUBLICATIONS (Cont'd)

The following publication is referenced in this tariff and may be obtained from the Internet Engineering Task Force (IETF), c/o Association Management Solutions, LLC, 48377 Fremont Blvd., Suite 117, Fremont, California 94538.

IETF RFC 4090

Issue Date May 2005

The following publication is referenced in this tariff and may be obtained from the International Communications Union, Place des Nations, 1211 Geneva 20, Switzerland.

ITU-TY.1731

Issue Date February 2008

ISSUE DATE:
February 28, 2011

Issued Under Transmittal No. 1
Vice President-Regulatory Operations
100 CenturyLink Drive
Monroe, Louisiana 71203

EFFECTIVE DATE:
March 1, 2011

ACCESS SERVICE

SUBJECT INDEX

The following information is an alphabetized listing by subject of the terms and services which appear in CenturyLink Operating Companies Tariff F.C.C. No. 9.

<u>Subject</u>	<u>Section No.</u>	<u>Page No.</u>
Abbreviations	Table of Contents	34
Acceptance Testing		
Directory Assistance Service	9.2(E)	9-7
Special Access	7.1.7	7-13
Switched Access Service	6.1.5	6-43
Access Code		
Definition	2.6	2-81
Feature Group A Description	6.2.1	6-48
Feature Group B Description	6.2.2	6-55
Feature Group C Description	6.2.3	6-63
Feature Group D Description	6.2.4	6-70
Access Minutes		
Assumed Average Monthly Surrogates, Description	3.8.3	3-15
Assumed Average Monthly Surrogates, Rates	6.7.7	6-172
Definition	2.6	2-81
Feature Group A Measurement	6.7.7	6-175
Feature Group B Measurement	6.7.7	6-176
Measuring and Recording of Call Detail	3.8.2	3-14

ISSUE DATE:
February 28, 2011

Issued Under Transmittal No. 1
Vice President-Regulatory Operations
100 CenturyLink Drive
Monroe, Louisiana 71203

EFFECTIVE DATE:
March 1, 2011

ACCESS SERVICE

SUBJECT INDEX (Cont'd)

<u>Subject</u>	<u>Section No.</u>	<u>Page No.</u>
Access Order, Switched and Special Access		
Access Services Provided by More Than		
One Telephone Company	2.4.8	2-65
Additional Engineering	5.1.2(C)	5-3
Cancellation	5.2.4	5-25
CCS/SS7 Interconnection Service	5.2	5-9
Definition	5.1	5-1
Expedited Order Charge	5.2.3(D)	5-22
Feature Group A	5.2	5-5
Feature Group B	5.2	5-5
Feature Group C and D	5.2	5-6
Interim 500 Access Service	5.2	5-8
LIDB Access Service	5.2	5-10
Minimum Period	5.2.6	5-29
900 Access Service	5.2	5-8
Provision of Other Services for		
Access Orders	5.1.2	5-3
Selection of Facilities	5.2.5	5-28
Shared Use Facilities	5.2.8	5-32
Toll Free Code (TFC) Access Service	5.2	5-7

ISSUE DATE:
February 28, 2011

Issued Under Transmittal No. 1
Vice President-Regulatory Operations
100 CenturyLink Drive
Monroe, Louisiana 71203

EFFECTIVE DATE:
March 1, 2011

ACCESS SERVICE

SUBJECT INDEX (Cont'd)

<u>Subject</u>	<u>Section No.</u>	<u>Page No.</u>
Access Order, Switched and Special Access (Cont'd)		
Service Date Intervals	5.2.1	5-13
Special Access Service	5.2	5-9
Switched Access Service	5.2	5-5
WATS Access Line Optional Feature	5.2	5-11
Access Order Modifications	5.2.3	5-17
Design Change Charge	5.2.3(C)	5-21
Request	5.2.3	5-17
Service Date Change	5.2.3(A)	5-18
Access Tandem		
Definition	2.6	2-81
Directory Transport	9.2(E)(3)	9-3
Specification for Feature Group B	5.2	5-5
Access to Premises		
Failure to Provide	2.4.4(C)(3)	2-61
Obligation of the Customer	2.3.3	2-17
Account, Definition	2.6	2-82
Acts of God		
See Disasters		
Additional Automatic Testing		
Description	13.1.10(A)(1)	13-7
Feature Group A	6.2.1(D)	6-54
Feature Group B	6.2.2(D)	6-62
Feature Group C	6.2.3(D)	6-69
Feature Group D	6.2.4(D)	6-78
Rates and Changes	13.3.1(A)(1)	13-16

ISSUE DATE:
February 28, 2011

Issued Under Transmittal No. 1
Vice President-Regulatory Operations
100 CenturyLink Drive
Monroe, Louisiana 71203

EFFECTIVE DATE:
March 1, 2011

ACCESS SERVICE
SUBJECT INDEX (Cont'd)

<u>Subject</u>	<u>Section No.</u>	<u>Page No.</u>
Additional Cooperative Acceptance Testing (ACT)		
General	13.1.10(A)(2)	13-7
Rates and Charges	13.3.1(A)(2)	13-17
Additional Labor and		
Miscellaneous Services	13.	13-1
Additional Labor	13.1	13-1
Applied to Access Order	5.1.2(C)	5-3
Basic Time Charge	13.2(A)	13-13
Engineering	13.1.1	13-1
Estimated Charge	5.1.2(C)	5-3
Maintenance of Service	13.1.9	13-4
Installation Testing	13.1.6	13-3
Overtime Charge	13.2(B)	13-14
Other Labor	13.1.7	13-3
Overtime Installation	13.1.2	13-2
Overtime Repair	13.1.3	13-2
Premium Time Charge	13.2(C)	13-15
Pricing Flexibility	23.4.4	23-16
Stand By	13.1.4	13-2
Testing and Maintenance with Other		
Telephone Companies	13.1.5	13-2
Testing Services	13.1.10	13-5

ISSUE DATE:
February 28, 2011

Issued Under Transmittal No. 1
Vice President-Regulatory Operations
100 CenturyLink Drive
Monroe, Louisiana 71203

EFFECTIVE DATE:
March 1, 2011

ACCESS SERVICE

SUBJECT INDEX (Cont'd)

<u>Subject</u>	<u>Section No.</u>	<u>Page No.</u>
Adjustments for Quantities of Services	2.4.1(C)	2-50
Administrative Charges		
Special Access	7.4.1(C)(3)	7-129
Switched Access	6.7.1(C)(3)	6-154
Aggregator, Definition	2.6	2-82
Alternative Service, Due to Service Interruption	2.4.4(D)	2-63
Alternate Billing Service, Definition	2.6	2-82
Alternate Traffic Routing		
Definition	6.3(O)	6-98
Mileage Measurement	6.7.12	6-185
Alternate Use	7.1.4	7-12
Answer Message, Definition	2.6	2-82
Answer/Disconnect Supervision, Definition	2.6	2-82
Application of Tariff	1.	1-1
Assembly of Route Pattern, Nonrecurring Charge	6.7.1(C)(4) & (5)	6-161
Assignment or Transfer of Services by Customer	2.1.2(A)	2-2
Assumed Average Interstate Access Minutes		
See Access Minutes		
Asynchronous, Definition	2.6	2-83
Asynchronous Polled Interface, Definition	2.6	2-83

ISSUE DATE:
February 28, 2011

Issued Under Transmittal No. 1
Vice President-Regulatory Operations
100 CenturyLink Drive
Monroe, Louisiana 71203

EFFECTIVE DATE:
March 1, 2011

ACCESS SERVICE
SUBJECT INDEX (Cont'd)

<u>Subject</u>	<u>Section No.</u>	<u>Page No.</u>
Attenuation Distortion		
Definition	2.6	2-83
Type A Transmission Specifications	6.4.1(A)	6-121
Type B Transmission Specifications	6.4.1(B)	6-123
Type C Transmission Specifications	6.4.1(C)	6-126
Automatic Loop Transfer	7.2.8(D)(1)	7-42
Automatic Number Identification (ANI),		
Optional Feature	6.3(F)	6-93
Availability for Testing	2.3.4	2-18
Avoidance		
Description	11.1.2	11-1
Rates and Charges	11.2.2	11-3
B-Channel, Definition	2.6	2-83
Balance	2.3.5	2-19
Balance (100 Type) Test Line, Definition	2.6	2-83
Balance Parameters		
Special Access, Testing	7.1.7(A)	7-13
Switched Access, Testing	6.1.5(A)	6-43
Band Advance Arrangement for Use with		
Special Access Service Utilized for		
Connection with Switched Access Service	6.3(S)	6-100

ISSUE DATE:
February 28, 2011

Issued Under Transmittal No. 1
Vice President-Regulatory Operations
100 CenturyLink Drive
Monroe, Louisiana 71203

EFFECTIVE DATE:
March 1, 2011

ACCESS SERVICE
SUBJECT INDEX (Cont'd)

<u>Subject</u>	<u>Section No.</u>	<u>Page No.</u>
Bill Day		
Description	2.4.1(B)	2-44
End User Access Service	2.4.1(B)(1)	2-44
Federal Government	2.4.1(B)	2-44
Other Services	2.4.1(B)(2)	2-45
Presubscription Service	2.4.1(B)(1)	2-44
Billed Number Screening		
Definition	2.6	2-83
Service Offering	13.3.7(B)	13-41
Bill Number Screening for Feature Group B	6.2.2(B)(3)	6-61
Billing		
Carrier Common Line	3.8.1	3-14
End User Access	4.3	4-2
Federal Government Access Services	10.5	10-3
General Regulations	2.4.1(B)	2-44
More Than One Exchange Telephone Company Providing Access	2.4.8	2-65
Billing Dispute	2.4.1(B)(3)	2-47
Billing Name and Address	13.3.5	13-30
Bit, Definition	2.6	2-83
Blocking Probability		
See Design Blocking Probability	6.5.6	6-145
Blocking Thresholds	6.7.8	6-183
Business Centrex Co-Like Services	4.6(L)	4-9
Business Day, Definition	2.6	2-84

ISSUE DATE:
February 28, 2011

Issued Under Transmittal No. 1
Vice President-Regulatory Operations
100 CenturyLink Drive
Monroe, Louisiana 71203

EFFECTIVE DATE:
March 1, 2011

ACCESS SERVICE
SUBJECT INDEX (Cont'd)

<u>Subject</u>	<u>Section No.</u>	<u>Page No.</u>
Byte, Definition	2.6	2-84
Cable-Only Facilities		
Description	11.1.3	11-1
Rates and Charges	11.2.4	11-3
Call, Definition	2.6	2-84
Call Denial, Line or Hunt Group	6.3(A)	6-92
Call Gapping Arrangement	6.3(Q)	6-100
Call Set-Up, Definition	2.6	2-84
Cancellation		
Access Order	5.2.4(A)	5-25
Due to Telephone Company Missed		
Service Date	5.2.4(D)	5-27
Order for Directory Assistance Service	9.4(B)	9-10
Application for End User Access Service	4.5(C)	4-4
Cancellation Charge		
Access Order	5.2.4(A)	5-25
Discontinuance of Service	5.2.4(C)	5-27
Telephone Company Missed Service Date	5.2.4(D)	5-27
Partial	5.2.3(B)	5-19

ISSUE DATE:
February 28, 2011

Issued Under Transmittal No. 1
Vice President-Regulatory Operations
100 CenturyLink Drive
Monroe, Louisiana 71203

EFFECTIVE DATE:
March 1, 2011

ACCESS SERVICE

SUBJECT INDEX (Cont'd)

<u>Subject</u>	<u>Section No.</u>	<u>Page No.</u>
Cancellation Date, Definition	5.2.4(A)	5-25
Carrier or Common Carrier, Definition	2.6	2-85
Carrier(s)		
See Interexchange Carrier;		
Concurring Carriers; Connecting		
Carriers; Issuing Carriers; Other		
Participating Carriers; References to		
the Telephone Company		
Carrier Call Transfer	13.3.9	13-45
Description	13.3.9(A)	13-45
General	13.3.9(B)	13-45
Rate Regulations	13.3.9(C)	13-46
Carrier Common Line Access Service		
Assumed Average Minutes	3.8.3	3-15
Customer Obligations	3.4	3-3
Description	3.1	3-1
Detail Billing Not Provided	3.2.1	3-2
Directory Listing Not Included	3.2.1	3-2
Documentation of Usage	3.6.2	3-5
Equal Access Transition-Rate		
Application	3.1	3-1
Exemption Certification of Surcharge	7.4.2(C)(1)	7-134
Customer Records Usage	3.5.2	3-4
Intercept Arrangements Not Included	3.2.1	3-2
Limitations	3.2	3-2

ISSUE DATE:
February 28, 2011

Issued Under Transmittal No. 1
Vice President-Regulatory Operations
100 CenturyLink Drive
Monroe, Louisiana 71203

EFFECTIVE DATE:
March 1, 2011

ACCESS SERVICE

SUBJECT INDEX (Cont'd)

<u>Subject</u>	<u>Section No.</u>	<u>Page No.</u>
Carrier Common Line Access Service (Cont'd)		
Prorate for Resold MTS/MTS-Type		
Equal Access Offices	3.6.4(E)	3-11
Non-Equal Access Offices	3.6.4(D)	3-10
Non-Equal and Equal Access Offices	3.6.4(F)	3-11
Rate Determination	3.8.5	3-15
Resold MTS/MTS-Type	3.6.2	3-5
Resold Private Line	3.5.3	3-4
Telephone Number Assignment	3.2.1	3-2
Carrier Identification Parameter, Definition	2.6	2-85
CCS, Definition	2.6	2-85
Central Office, Definition	2.6	2-85
Central Office Bridging Capability		
Digital Data Service	7.2.7(D)(1)	7-37
Program Audio Service	7.2.3(D)(1)	7-29
Voice Grade Service	7.2.2(D)(1)	7-19
Central Office Building, Definition	2.6	2-85
Central Office Multiplexing		
Switched Transport	6.1.2(B)(5)(d)	6-28
Central Office Prefix		
Assignment by Telephone Company	2.1.12	2-13
Definition	2.6	2-85

(D)

ISSUE DATE:
October 17, 2017Issued Under Transmittal No. 96
Vice President-Regulatory Operations
100 CenturyLink Drive
Monroe, Louisiana 71203EFFECTIVE DATE:
November 1, 2017

ACCESS SERVICE

SUBJECT INDEX (Cont'd)

<u>Subject</u>	<u>Section No.</u>	<u>Page No.</u>	
Centralized Automatic Reporting on Trunks Testing, Definition	2.6	2-85	
Centrex CO and Centrex CO-Like Service Subscriber Line Charge (SLC)	4.6(L)	4-9	(C)
Changes in Facilities, Operations or Procedures of the Company	2.1.7	2-9	(T)
Changes in Facilities, Operations or Procedures of the Company Necessitating Customer Design Changes	2.3.6	2-19	
Changes To Orders for End User Access Service	4.5(D)	4-4	
Channel(s) Definition	2.6	2-86	
Specification for High Capacity Facilities To A Hub	5.2.5(A)	5-28	
Specification for Shared Use Facilities	5.2.8	5-32	
Channel Interface Specification for Special Access Services	5.2	5-9	
Channel Interfaces and Network Channel Codes	7.3	7-91	
Channel Service Unit, Definition	2.6	2-86	
Channel Types, Special Access Service Description	7.1.1	7-2	
Channelize, Definition	2.6	2-86	

ACCESS SERVICE

SUBJECT INDEX (Cont'd)

<u>Subject</u>	<u>Section No.</u>	<u>Page No.</u>
Charges - General		
Discontinuance of Service for Non-Compliance	2.1.8	2-10
Discontinuance Prior to Expiration of Minimum Period	2.4.2	2-51
Mixed Interstate and Intrastate Access Service	2.3.12	2-39
Multiline Hunt Group or Trunk Group Arrangements with Interstate or Intrastate Charges Based on Measured Usage	2.3.11(B)(3)	2-24
Reestablishment of Service Following Disaster	2.4.6	2-64
Wire to Extend Facilities Within a Building	2.1.5	2-8
Charges, Rates, and Deposits, Payment of See Payment Arrangements; Credit Allowance		
Circuit Termination, Definition	2.6	2-86
Civil Commotions		
See Disasters; Emergency Conditions		
Civil Disturbance		
See Disasters; Emergency Conditions		

ISSUE DATE:
February 28, 2011

Issued Under Transmittal No. 1
Vice President-Regulatory Operations
100 CenturyLink Drive
Monroe, Louisiana 71203

EFFECTIVE DATE:
March 1, 2011

ACCESS SERVICE
SUBJECT INDEX (Cont'd)

<u>Subject</u>	<u>Section No.</u>	<u>Page No.</u>
Claims for Damages		
Obligations of the Customer	2.3.1	2-17
Claims and Demands by Customer	2.3.8(C)	2-21
Damage to Property	2.3.8(B)	2-20
Death	2.3.8(B)	2-20
Explosive Atmosphere	2.1.3(I)	2-6
Limitation	2.1.3(A)	2-4
Libel, Slander	2.1.3(E)	2-5
Patent Infringement	2.1.3(E)	2-5
Personal Injury	2.3.8(B)	2-20
Worker's Compensation	2.3.8(B)	2-20
Clear Channel Capability, Definition	2.6	2-87
C-Message Noise		
Definition	2.6	2-87
Acceptance Testing	6.1.5(A)	6-43
Type A Transmission Specifications	6.4.1(A)(3)	6-121
Type B Transmission Specifications	6.4.1(B)(3)	6-134
Type C Transmission Specifications	6.4.1(C)(3)	6-126
C-Notched Noise		
Definition	2.6	2-87
Acceptance Testing	6.1.5(A)	6-43

ISSUE DATE:
February 28, 2011

Issued Under Transmittal No. 1
Vice President-Regulatory Operations
100 CenturyLink Drive
Monroe, Louisiana 71203

EFFECTIVE DATE:
March 1, 2011

ACCESS SERVICE

SUBJECT INDEX (Cont'd)

<u>Subject</u>	<u>Section No.</u>	<u>Page No.</u>
C-Notched Noise (Cont'd)		
Type A Transmission Specifications	6.4.1(A)(4)	6-121
Type B Transmission Specifications	6.4.1(B)(4)	6-124
Type C Transmission Specifications	6.4.1(C)(4)	6-127
Code Screening Reports	6.6.1(B)	6-140
Collocation	17	17-1
Collocation - POT, Definition	2.6	2-88
Collocation Space, Definition	2.6	2-88
Commingling, Definition	2.6	2-88

ISSUE DATE:
February 28, 2011

Issued Under Transmittal No. 1
Vice President-Regulatory Operations
100 CenturyLink Drive
Monroe, Louisiana 71203

EFFECTIVE DATE:
March 1, 2011

ACCESS SERVICE

SUBJECT INDEX (Cont'd)

<u>Subject</u>	<u>Section No.</u>	<u>Page No.</u>
Common Channel Signaling/Signaling System 7 (CCS/SS7) Interconnection Service	6.1.2(B)(6)	6-31
Rates and Charges	6.8.2(G)	6-255
Common Line, Definition	2.6	2-88
Common Switching, Transport Termination and Toll Free Code Optional Features See also Local Switching Optional Features; Local Transport Optional Features	6.3	6-192
Common Trunk Port, Definition	2.6	2-88
Communications System, Definition	2.6	2-89
Compatible Channel Interface Codes		
Digital Data Service	7.3.5(G)	7-117
High Capacity Service	7.3.5(H)	7-117
Program Audio Service	7.3.5(C)	7-115
Video Service	7.3.5(D)	7-116
Voice Service	7.3.5(B)	7-103
Completed Call, Definition	2.6	2-89
Concurring Carriers	Table of Contents	33
Conditioning, Voice Grade Service	7.2.2(D)(4)	7-20
Connecting Carriers	Table of Contents	33
Connections of Equipment and Systems	2.5.1	2-80
CCITT, Definition	2.6	2-89
Conventional Signaling, Definition	2.6	2-90

ISSUE DATE:
February 28, 2011

Issued Under Transmittal No. 1
Vice President-Regulatory Operations
100 CenturyLink Drive
Monroe, Louisiana 71203

EFFECTIVE DATE:
March 1, 2011

ACCESS SERVICE

SUBJECT INDEX (Cont'd)

<u>Subject</u>	<u>Section No.</u>	<u>Page No.</u>
Conversion of Services to Equal Access Six Month Notification Requirement	6.7.1(D)(6)(c)	6-167
Coordination of Telephone Company and Customer With Respect to Network Contingencies		
Obligation of Customers	2.3.10	2-21
Undertaking of Telephone Company	2.1.11	2-13
Cost, Definition	2.6	2-90
Credit Allowance		
See also Payment Arrangements		
Alternative Service	2.4.4(D)	2-63
Application of Credit Allowance	2.4.4(A)	2-53
Circumstances Beyond Telephone Company Control	2.1.3(H)	2-6
Complete Loss of Service Due to Protective Controls	6.5.1	6-141
Definition	2.4.4(B)	2-53
Directory Assistance	9.2(H)	9-8
End User Common Line	4.5(E)	4-4
Interruptions to Service	2.4.4	2-53
Interruptions for Testing	2.3.4	2-18
Maintenance, Rearrangements and Implementation	2.4.4(C)(4)	2-62

ISSUE DATE:
February 28, 2011

Issued Under Transmittal No. 1
Vice President-Regulatory Operations
100 CenturyLink Drive
Monroe, Louisiana 71203

EFFECTIVE DATE:
March 1, 2011

ACCESS SERVICE

SUBJECT INDEX (Cont'd)

<u>Subject</u>	<u>Section No.</u>	<u>Page No.</u>
Credit Allowance (Cont'd)		
Major Fraction Thereof, Definition	2.6	2-110
Maximum Allowance	2.4.4(B)(4)	2-58
Minimum Allowance	2.4.4(C)(9)	2-62
Negligence of Customer	2.4.4(C)(1)	2-61
Not Applicable	2.4.4(C)	2-61
Program Audio/Video Service	2.4.4(B)(2)	2-56
Service Performance Maintenance Guarantee	2.4.4(B)(6)	2-59
Service Performance Provisioning		
Guarantee	2.4.9	2-78
Special Access Service	2.4.4(B)(1) & (2)	2-54
Special Construction	2.4.4(C)(5)	2-62
Specialized Service Arrangements	2.4.4(B)(5)	2-58
Switched Access Service	2.4.4(B)(3)	2-58
Telephone Company Liability	2.1.3(A)	2-4
Temporary Discontinuance of Service	2.1.8(B)	2-10
Temporary Surrender of Service	2.4.4(E)	2-63
Testing and/or Repair	2.4.4(C)(6)	2-62
Credit History of Customer	2.4.1(A)	2-42
Criminal Actions Against Telephone Company	2.1.3(H)	2-6
Customer(s), Definition	2.6	2-90
Customer Designated Premises, Definition	2.6	2-90
Customer Obligations		
Availability for Testing	2.3.4	2-18
Balance	2.3.5	2-19
Carrier Common Line Access Service	3.4	3-3
Claims and Demands for Damages	2.3.8	2-20
Coordination with Respect to		
Network Contingencies	2.3.10	2-21

ISSUE DATE:
February 28, 2011

Issued Under Transmittal No. 1
Vice President-Regulatory Operations
100 CenturyLink Drive
Monroe, Louisiana 71203

EFFECTIVE DATE:
March 1, 2011

ACCESS SERVICE

SUBJECT INDEX (Cont'd)

<u>Subject</u>	<u>Section No.</u>	<u>Page No.</u>
Customer Obligations (Cont'd)		
Damages	2.3.1	2-17
Design of Customer Services	2.3.6	2-19
Determination of Interstate and Intrastate Charges	2.3.12	2-39
Directory Assistance Service	9.3	9-8
Equipment Space and Power	2.3.3	2-18
Jurisdictional Report Requirements	2.3.11	2-22
Billing Disputes Involving Jurisdictional Reports	2.3.11(C)	2-37
Mixed Interstate and Intrastate Use	2.3.12	2-39
Ownership of Facilities and Theft	2.3.2	2-17
Payment of Rates, Charges, and Deposits	2.4.1	2-42
References to the Telephone Company	2.3.7	2-19
Switched Access Service	6.6	6-140
Testing Services for Special Access	13.1.10(B)(4)	13-12
Testing Services for Switched Access	13.1.10(A)(5)	13-9
Customer Specification of Switched Transport Termination	6.1.2(B)(5)(c)	6-28
Customer Specified Premises Receive Level, Voice Grade Service	7.2.2(D)(4)(e)	7-22

ISSUE DATE:
February 28, 2011

Issued Under Transmittal No. 1
Vice President-Regulatory Operations
100 CenturyLink Drive
Monroe, Louisiana 71203

EFFECTIVE DATE:
March 1, 2011

ACCESS SERVICE

SUBJECT INDEX (Cont'd)

<u>Subject</u>	<u>Section No.</u>	<u>Page No.</u>
Customer Designated Premises		
Definition	2.6	2-90
Specification for WATS Access Line		
Optional Feature	5.2	5-11
Specification for Special Access		
Services	5.2	5-9
Customer Transport Facilities, Definition	2.6	2-90
D-Channel, Definition	2.6	2-91
DTE Backup, Definition	2.6	2-91
Damages		
See Also Claims for Damages		
Customer Liability	2.3.1	2-17
Caused by Other Than Telephone		
Company Equipment	2.2.1(A)	2-15
Daily Rates, Special Access Service		
Description	7.4.1(B)	7-125
Data Capability		
Voice Grade Service	7.2.2(D)(4)(h)	7-24
Data Transmission (107 Type) Test Line,		
Definition	2.6	2-91
Data Transmission Parameters - Switched		
Access Service	6.4.2	6-128
dc Continuity Acceptance Testing	6.1.5(A)	6-43

ISSUE DATE:
February 28, 2011

Issued Under Transmittal No. 1
Vice President-Regulatory Operations
100 CenturyLink Drive
Monroe, Louisiana 71203

EFFECTIVE DATE:
March 1, 2011

ACCESS SERVICE

SUBJECT INDEX (Cont'd)

<u>Subject</u>	<u>Section No.</u>	<u>Page No.</u>
Decibel, Definition	2.6	2-91
Decibel Reference Noise C-Message Referenced to 0, Definition	2.6	2-92
Decibel Reference Noise C-Message Weighting, Definition	2.6	2-92
Dedicated Trunk Port, Definition	2.6	2-92
Definitions	2.6	2-81
Delay Dial Start-Pulsing Signaling, Optional Feature	6.3(J)	6-97
Demands for Damages See Claims for Damages		
Deposits		
Interest	2.4.1	2-42
Refund	2.4.1	2-42
Requirements	2.4.1	2-42
Design and Traffic Routing, Switched Access Service		
Feature Group B	6.5.2	6-142
Design Blocking Probability		
Feature Group C	6.5.6(B)	6-145
Feature Group D	6.5.6(C)	6-145

ISSUE DATE:
February 28, 2011

Issued Under Transmittal No. 1
Vice President-Regulatory Operations
100 CenturyLink Drive
Monroe, Louisiana 71203

EFFECTIVE DATE:
March 1, 2011

ACCESS SERVICE

SUBJECT INDEX (Cont'd)

<u>Subject</u>	<u>Section No.</u>	<u>Page No.</u>
Design Change	5.2.3(C)	5-19
Design Change Charge for Engineering Review	5.2.3(C)	5-19
Design Layout Report		
Directory Access Service	9.2(E)(5)	9-6
Special Access Service	7.1.6	7-13
Switched Access Service	6.1.4	6-42
Design of Customer Services	2.3.6	2-19
Detail Billing		
Definition	2.6	2-92
Carrier Common Line	3.2.1	3-2
End User Access	4.2	4-1
Dial Pulse Address Signaling	6.3(L)	6-97
Dial Tone Office		
See First Point of Switching		
Digital Cross-Connect Service	7.2.8(D)(5)	7-46
Digital Data Service		
Description	7.2.7(A)	7-36
Rates and Charges	7.5.7	7-251
Direct-Trunked Transport, Definition	2.6	2-93
Directory Assistance Location (Interstate), Definition	2.6	2-93

(D)
(D)ISSUE DATE:
October 17, 2017Issued Under Transmittal No. 96
Vice President-Regulatory Operations
100 CenturyLink Drive
Monroe, Louisiana 71203EFFECTIVE DATE:
November 1, 2017

ACCESS SERVICE
SUBJECT INDEX (Cont'd)

<u>Subject</u>	<u>Section No.</u>	<u>Page No.</u>
Directory Assistance Service		
Customer Obligations	9.3	9-8
Definition	2.6	2-93
Description	9.1	9-1
Jurisdictional Reports	2.3.11(B)(5)	2-27
Payment Arrangements – Minimum Periods	9.4(A)	9-9
Rate Regulations	9.5	9-12
Rates and Charges	9.6	9-13
Telephone Company Undertaking	9.2	9-1
Directory Listings		
Carrier Common Line	3.2.1	3-2
End User Access	4.2	4-1
Directory Number, Definition	2.6	2-94
Disasters		
See also Emergency Conditions		
Network Contingency Plans - Obligations of Customer	2.1.11	2-13
Network Contingency Plans - Undertaking of the Telephone Company	2.1.11	2-13
Service Reestablishment	2.4.6	2-64
Discontinuance of Service		
General Regulations	2.1.8	2-10
Credit Not Applicable	2.2.1(B)	2-15
Non-Payment	2.1.8(B)	2-10

ISSUE DATE:
February 28, 2011

Issued Under Transmittal No. 1
Vice President-Regulatory Operations
100 CenturyLink Drive
Monroe, Louisiana 71203

EFFECTIVE DATE:
March 1, 2011

ACCESS SERVICE

SUBJECT INDEX (Cont'd)

<u>Subject</u>	<u>Section No.</u>	<u>Page No.</u>
Discontinuance of Service (Cont'd)		
Prior to Minimum Period	2.4.2	2-51
Temporary Discontinuance for		
Interference or Impairment	2.2.1(B)	2-15
Discounted Access Minute Rates for		
Measured or Assumed Access Minutes	3.8.5	3-15
Disputed Amount Penalty	2.4.1(B)	2-48
Diversity		
Description	11.1.1	11-1
Rates and Charges	11.2.1	11-2
Donor Switch, Definition	2.6	2-94
Drop Wiring Provided by Telephone Company	2.1.5	2-8
Dual Tone Multifrequency Address Signaling,		
Definition	2.6	2-94
Duplex (DX) Signaling - Balance	2.3.5	2-19
Echo Control		
Definition	2.6	2-94
Type A Transmission Specifications	6.4.1(A)(5)	6-121
Type B Transmission Specifications	6.4.1(B)(5)	6-123
Type C Transmission Specifications	6.4.1(C)(5)	6-126
Echo Path Loss, Definition	2.6	2-95

ISSUE DATE:
February 28, 2011

Issued Under Transmittal No. 1
Vice President-Regulatory Operations
100 CenturyLink Drive
Monroe, Louisiana 71203

EFFECTIVE DATE:
March 1, 2011

ACCESS SERVICE

SUBJECT INDEX (Cont'd)

<u>Subject</u>	<u>Section No.</u>	<u>Page No.</u>
Echo Return Loss, Definition	2.6	2-95
Effective 4-Wire, Definition	2.6	2-95
Effective 2-Wire, Definition	2.6	2-95
Electrical Power Provision	2.3.3	2-18
Emergency Conditions, Special Federal Government Access Service	10.1	10-1
End Office End User Line Service Blocking and Screening for use With WATS Access Lines	6.3(T)	6-100
End Office Switch, Definition	2.6	2-96
End User Common Line Access Service		
Allowance for Interruption	4.5(E)	4-4
Cancellation of Orders	4.5(C)	4-4
Centrex-CO	4.6(L)	4-9

ISSUE DATE:
February 28, 2011

Issued Under Transmittal No. 1
Vice President-Regulatory Operations
100 CenturyLink Drive
Monroe, Louisiana 71203

EFFECTIVE DATE:
March 1, 2011

ACCESS SERVICE

SUBJECT INDEX (Cont'd)

<u>Subject</u>	<u>Section No.</u>	<u>Page No.</u>	
End User Common Line Access Service (Cont'd)			
Changes to Orders	4.5(D)	4-4	
Description	4.1	4-1	
Lifeline Assistance Program	4.6	4-6	(T)
Limitations	4.2	4-1	
Minimum Period	4.5(A)	4-3	
Multiline Service-Business	4.6(B) & (D)	4-5, 4-6	
Multiparty Service	4.6(B), (E) & (G)	4-5, 4-6	
Radio Common Carrier, Maritime Service	4.6(M)	4-9	
Rate Regulations	4.6	4-5	
Rates	4.7	4-12	
Remote Call Forwarding	4.6(I)	4-7	
Telephone Company Undertaking	4.3	4-2	
End User, Definition	2.6	2-97	
Engineering Review, Definition	5.2.3(C)	5-19	
Entrance Cable, Provision	2.1.5	2-8	
Entry Switch, Definition	2.6	2-97	
See Also First Point of Switching			
Envelope Delay Distortion			
Definition	2.6	2-97	
Type DA Data Transmission Parameters	6.4.2(A)(2)	6-128	
Type DB Data Transmission Parameters	6.4.2(B)(2)	6-129	

ISSUE DATE:
November 17, 2016Issued Under Transmittal No. 88
Vice President-Regulatory Operations
100 CenturyLink Drive
Monroe, Louisiana 71203EFFECTIVE DATE:
December 2, 2016

ACCESS SERVICE

SUBJECT INDEX (Cont'd)

<u>Subject</u>	<u>Section No.</u>	<u>Page No.</u>
Equal Access		
See Feature Group D		
Equal Level Echo Path Loss, Definition	2.6	2-97
See Also Balance Parameters		
Equipment, Shortage		
See Shortage of Facilities or Equipment		
Equipment Space	2.3.3	2-18
Exchange, Definition	2.6	2-98
Exchange Access Signaling, Definition	2.6	2-98
Exchange Termination, Definition	2.6	2-98
Exemption Certification, Special Access		
Surcharge	7.4.2(C)(1)	7-134
Exit Message, Definition	2.6	2-99
Expanded Interconnection	17	17-1
Basic Service Description	17.1	17-1
Liability	17.3	17-12
Network Compatibility and Standards	17.4	17-14
Rates and Charges	17.7	17-32
Regulations	17.2	17-8
Virtual Collocation	17.6	17-27

(D)
(D)
(D)
(D)
(D)
(D)ISSUE DATE:
October 17, 2017Issued Under Transmittal No. 96
Vice President-Regulatory Operations
100 CenturyLink Drive
Monroe, Louisiana 71203EFFECTIVE DATE:
November 1, 2017

ACCESS SERVICE

SUBJECT INDEX (Cont'd)

<u>Subject</u>	<u>Section No.</u>	<u>Page No.</u>
Expected Measured Loss, Definition	2.6	2-99
Expedited Order Charge	5.2.3(D)	5-122
Explosive Atmospheres	2.1.3(I)	2-6
Extended Area Service (EAS), Definition	2.6	2-99
Extensions, Feature Group A	6.7.9	6-184
Facilities, Ownership		
See Ownership of Facilities		
Facilities, Selection in Access Orders	5.2.5	5-27
Facilities, Shortage		
See Shortage of Facilities or Equipment		
Facility Availability, to Provide Special		
Federal Government Services	10.4.1	10-2
Facility Hubs, Special Access	7.4.7	7-141
Facility Terminations	2.1.5	2-8
Feature Group A (FGA) Switched Access Service		
Access Minutes	6.7.7	6-172
Access Order	5.2	5-5
Assumed Average Access Minutes	6.7.7(D)	6-174
Carrier Common Line - Prorate for Resale	3.6.4	3-6

ISSUE DATE:
February 28, 2011

Issued Under Transmittal No. 1
Vice President-Regulatory Operations
100 CenturyLink Drive
Monroe, Louisiana 71203

EFFECTIVE DATE:
March 1, 2011

ACCESS SERVICE

SUBJECT INDEX (Cont'd)

<u>Subject</u>	<u>Section No.</u>	<u>Page No.</u>
Feature Group A (FGA) Switched Access Service (Cont'd)		
Description	6.1.1(A)	6-2
Determination of Number of Transmission Paths	6.5.5	6-144
Extension Service	6.7.9	6-183
Installation of Service Charge	6.7.1(C)(1)	6-153
Interface Groups	6.4.3	6-131
Jurisdictional Reports	2.3.11(B)(1)	2-23
Line Side Connection	6.1.1(A)	6-2
Local Switching	6.1.2(C)	6-37
Local Switching Optional Features	6.2.1(B)(1)	6-52
Manner of Provision	6.1.1(A)	6-2
Measuring Access Minutes	6.7.7	6-172
Message Unit Credit	6.7.10	6-184
Mileage Measurement	6.7.12	6-185
Minimum Monthly Charge	6.7.3	6-168
Moves	6.7.5	6-171
Non-Premium Transitional Rates	6.7.1(D)(5)	6-163
Optional Features	6.2.1(B)	6-52
Ordering	5.2	5-5
Premium Rates	6.7.1(D)(2)	6-162
Rates and Charges	6.8	6-206
Rate Categories	6.1.2	6-10

ISSUE DATE:
February 28, 2011

Issued Under Transmittal No. 1
Vice President-Regulatory Operations
100 CenturyLink Drive
Monroe, Louisiana 71203

EFFECTIVE DATE:
March 1, 2011

ACCESS SERVICE

SUBJECT INDEX (Cont'd)

<u>Subject</u>	<u>Section No.</u>	<u>Page No.</u>
Feature Group A (FGA) Switched Access Service (Cont'd)		
Rate Regulations	6.7	6-151
Switched Transport Optional Features	6.2.1(B)(2)	6-53
Testing Capabilities	6.2.1(D)	6-54
Transmission Performance	6.2.1(C)	6-54
Upgrading to Feature Group D	6.7.4	6-169
Feature Group B (FGB) Switched Access Service		
Access Minutes	6.7.7	6-172
Access Order	5.2	5-5
Carrier Common Line - Prorate for Resale	3.6.4	3-6
Description	6.1.1(B)	6-3
Design and Traffic Routing	6.5.2	6-140
Determination of Number of Transmission Paths	6.5.5	6-142
Installation of Service Charge	6.7.1(C)(1)	6-153
Interface Groups	6.4.3	6-131
Jurisdictional Reports	2.3.11(B)(1)	2-23
Local Switching	6.1.2(C)	6-37
Local Switching Optional Features	6.2.2.(B)(1)	6-60
Manner of Provision	6.1.1(B)	6-3

ISSUE DATE:
February 28, 2011

Issued Under Transmittal No. 1
Vice President-Regulatory Operations
100 CenturyLink Drive
Monroe, Louisiana 71203

EFFECTIVE DATE:
March 1, 2011

ACCESS SERVICE

SUBJECT INDEX (Cont'd)

<u>Subject</u>	<u>Section No.</u>	<u>Page No.</u>
Feature Group B (FGB) Switched Access Service (Cont'd)		
Measuring Access Minutes	6.7.7(F)	6-176
Mileage Measurement	6.7.12	6-185
Minimum Monthly Charge	6.7.3	6-168
Moves	6.7.5	6-171
Non-Premium Transitional Rates	6.7.1(D)(5)	6-163
Optional Features	6.2.2(B)	6-60
Ordering	5.2	5-5
Premium Rates	6.7.1(D)(2)	6-162
Rates and Charges	6.8	6-206
Rate Categories	6.1.2	6-10
Rate Regulations	6.7	6-151
Testing Capabilities	6.2.2(D)	6-62
Transmission Performance	6.2.2(C)	6-62
Switched Transport Optional Features	6.2.2(B)(2)	6-61
Upgrading to Feature Group D	6.7.4(1)	6-169
Feature Group C (FGC) Switched Access Service		
Access Minutes	6.7.7	6-172
Access Minutes - Recorded by Customer	3.5.2	3-4
Access Order	5.2	5-6
Description	6.1.1(C)	6-4
Design Blocking Probability	6.5.6(B)	6-145
Design and Traffic Routing	6.5.2	6-142
Installation of Service Charge	6.7.1(C)(1)	6-153

ISSUE DATE:
February 28, 2011

Issued Under Transmittal No. 1
Vice President-Regulatory Operations
100 CenturyLink Drive
Monroe, Louisiana 71203

EFFECTIVE DATE:
March 1, 2011

ACCESS SERVICE

SUBJECT INDEX (Cont'd)

<u>Subject</u>	<u>Section No.</u>	<u>Page No.</u>
Feature Group C (FGC) Switched Access Service (Cont'd)		
Interface Groups	6.4.3	6-131
Jurisdictional Reports	2.3.11(B)(4)	2-24
Local Switching	6.1.2(C)	6-37
Local Switching Optional Features	6.2.3(B)(1)	6-67
Manner of Provision	6.1.1(C)	6-4
Measuring Access Minutes	6.7.7(G)	6-177
Mileage Measurement	6.7.12	6-185
Minimum Monthly Charge	6.7.3	6-168
Moves	6.7.5	6-171
Optional Features	6.2.3(B)	6-67
Ordering	5.2	5-6
Premium Rates	6.7.1(D)(2)	6-162
Rates and Charges	6.8	6-206
Rate Categories	6.1.2	6-10
Rate Regulations	6.7	6-151
Switched Transport Optional Features	6.2.3(B)(2)	6-68
Testing Capabilities	6.2.3(D)	6-69
Transmission Specifications	6.2.3(C)	6-68
Upgrading to Feature Group D	6.7.4(2)	6-169
Feature Group D (FGD) Switched Access Service		
Access Minutes	6.7.7	6-172

ISSUE DATE:
February 28, 2011

Issued Under Transmittal No. 1
Vice President-Regulatory Operations
100 CenturyLink Drive
Monroe, Louisiana 71203

EFFECTIVE DATE:
March 1, 2011

ACCESS SERVICE

SUBJECT INDEX (Cont'd)

<u>Subject</u>	<u>Section No.</u>	<u>Page No.</u>
Feature Group D (FGD) Switched Access Service (Cont'd)		
Access Order	5.2	5-6
Carrier Common Line - Prorate For Resale	3.6.4	3-6
Description	6.1.1(D)	6-4
Design Blocking Probability	6.5.6(C)	6-145
Design and Traffic Routing	6.5.2	6-142
Determination of Number of Transmission Paths	6.5.5	6-144
Installation of Service Charge	6.7.1(C)(1)	6-153
Interface Groups	6.4.3	6-131
Jurisdictional Reports	2.3.11(B)(4)	2-24
Local Switching	6.1.2(C)	6-37
Local Switching Optional Features	6.2.4(B)(1)	6-75
Manner of Provision	6.1.1(D)	6-4
Measuring Access Minutes	6.7.7(H)	6-178
Mileage Measurement	6.7.12	6-185
Minimum Monthly Charge	6.7.3	6-168
Moves	6.7.5	6-171
Network Blocking Charge	6.7.8	6-183
Optional Features	6.2.4(B)	6-75
Ordering	5.2	5-6
Premium Rates	6.7.1(D)(2)	6-162
Rates and Charges	6.8	6-206

ISSUE DATE:
February 28, 2011

Issued Under Transmittal No. 1
Vice President-Regulatory Operations
100 CenturyLink Drive
Monroe, Louisiana 71203

EFFECTIVE DATE:
March 1, 2011

ACCESS SERVICE

SUBJECT INDEX (Cont'd)

<u>Subject</u>	<u>Section No.</u>	<u>Page No.</u>
Feature Group D (FGD) Switched Access Service (Cont'd)		
Rate Categories	6.1.2	6-10
Rate Regulations	6.7	6-151
Switched Transport Optional Features	6.2.4(B)(2)	6-76
Testing Capabilities	6.2.4(D)	6-78
Transmission Specifications	6.2.4(C)	6-77
Feature Group Type, Change to Feature Group D	6.7.4	6-169
Feature Groups, Switched Access Service See Also Interface Groups and Premises		
Interface Codes		
Manner of Provision	6.1.1(H)	6-9
Provision and Description	6.1.1	6-1
Federal Government		
Regulations	10.5	10-3
Service Offerings	10.6	10-3
Field Identifier, Definition	2.6	2-100
Fire		
See Disaster		
Firm Access Order, Definition	2.6	2-100
Firm Order Confirmation Date, Definition	2.6	2-100
First-Come First-Served, Definition	2.6	2-100

ISSUE DATE:
February 28, 2011

Issued Under Transmittal No. 1
Vice President-Regulatory Operations
100 CenturyLink Drive
Monroe, Louisiana 71203

EFFECTIVE DATE:
March 1, 2011

ACCESS SERVICE

SUBJECT INDEX (Cont'd)

<u>Subject</u>	<u>Section No.</u>	<u>Page No.</u>
First Point of Switching		
Definition	2.6	2-101
Specification in Order for Feature Group A	5.2	5-5
Flood		
See Disaster		
Fractional DS1	7.2.8(A)(2)	7-40
		(D)
		(D)
		(D)
		(D)
		(D)
		(D)
Frequency Shift		
Definition	2.6	2-101
Type DA Data Transmission Parameters	6.4.2(A)(6)	6-128
Type DB Data Transmission Parameters	6.4.2(B)(6)	6-129
Gain Conditioning, Program Audio Service	7.2.3(D)(2)	7-29
		(D)
		(D)
		(D)
		(D)
General Regulations, Access Service		
Connections	2.5.1	2-80
Customer Obligations	2.3	2-17
Definitions	2.6	2-81
Payment Arrangements and Credit Allowances	2.4	2-42
Telephone Company Undertaking	2.1	2-1
Use	2.2	2-15
Geographically Aggregated Rate(GAR),		
Definition	2.6	2-101
Government Emergency Telecommunications Service (GETS)	10.6.1(C)	10-7
Grandfathered, Definition	2.6	2-102

ISSUE DATE:
October 17, 2017Issued Under Transmittal No. 96
Vice President-Regulatory Operations
100 CenturyLink Drive
Monroe, Louisiana 71203EFFECTIVE DATE:
November 1, 2017

ACCESS SERVICE

SUBJECT INDEX (Cont'd)

<u>Subject</u>	<u>Section No.</u>	<u>Page No.</u>
Hazards - Interference or Impairment	2.2.1	2-15
High Capacity Service		
Description	7.2.8(A)	7-40
Rates and Charges	7.5.8	7-257
Holidays		
Affecting Due Dates of Bills	2.4.1(B)(3)(a)	2-45
Definition	2.4.1(B)(3)(a)	2-45
Holding Time, Definition	2.6	2-102
Host Office, Definition	2.6	2-102
Hub		
Definition	2.6	2-103
Facility Hubs, Special Access	7.4.7	7-141
Shared Use	5.2.8	5-32
Specification for Special Access Services	5.2	5-9
Hunt Group Arrangement		
Optional Feature with Feature Group A	6.3(C)	6-92
Optional Feature with Special Access/ WATS or WATS-Type	6.3(U)	6-105

ISSUE DATE:
February 28, 2011

Issued Under Transmittal No. 1
Vice President-Regulatory Operations
100 CenturyLink Drive
Monroe, Louisiana 71203

EFFECTIVE DATE:
March 1, 2011

ACCESS SERVICE

SUBJECT INDEX (Cont'd)

<u>Subject</u>	<u>Section No.</u>	<u>Page No.</u>
Immediate Dial Pulse Address Signaling	6.3(K)	6-97
Immediately Available Funds, Definition	2.6	2-103
Impairment		
See Interference or Impairment	2.2.1	2-14
Impedance Balance, Definition	2.6	2-103
Impedance, Special Access Service	7.3.2	7-99
Improved Return Loss	7.2.2(D)(4)(g)	7-23
Impulse Noise		
Definition	2.6	2-104
Type DA Data Transmission Parameters	6.4.2(A)(3)	6-129
Type DB Data Transmission Parameters	6.4.2(B)(3)	6-130
Individual Case Basis		
Definition	2.6	2-104
Special Access Service	7.6	7-504
Switched Access Service	6.9	6-278
Initial Address Message, Definition	2.6	2-104
Inserted Connection Loss, Definition	2.6	2-104
Installation and Termination of Service	2.1.5	2-8

ISSUE DATE:
February 28, 2011

Issued Under Transmittal No. 1
Vice President-Regulatory Operations
100 CenturyLink Drive
Monroe, Louisiana 71203

EFFECTIVE DATE:
March 1, 2011

ACCESS SERVICE

SUBJECT INDEX (Cont'd)

<u>Subject</u>	<u>Section No.</u>	<u>Page No.</u>
Installation of Service Charge		
Special Access	7.4.1(C)(1)	7-127
Intercept Arrangements		
Common Line Access	3.2.1	3-2
End User Access	4.2	4-1
Intercept Function	6.1.2(C)	6-37
Interconnection Arrangements Between		
Exchange Telephone Companies	2.4.8	2-65
Interconnection Point	2.4.8(B)	2-67
Interconnector(s), Definition	2.6	2-104
Interest on Deposit	2.4.1(A)	2-43
Interexchange Carrier (IC), Definition	2.6	2-105
Interexchange Common Carrier, Definition	2.6	2-105
Interface Codes		
See Premises Interface Codes		
Interface Groups for Terminating Local		
Transport at Customer's Premises		
Interface Group 1	6.4.3(A)	6-133
Interface Group 2	6.4.3(B)	6-134
Interface Group 3	6.4.3(C)	6-135
Interface Group 4	6.4.3(D)	6-135
Interface Group 6	6.4.3(E)	6-136
Interface Group 9	6.4.3(F)	6-137
Interference or Impairment	2.2.1	2-14

ISSUE DATE:
February 28, 2011

Issued Under Transmittal No. 1
Vice President-Regulatory Operations
100 CenturyLink Drive
Monroe, Louisiana 71203

EFFECTIVE DATE:
March 1, 2011

ACCESS SERVICE

SUBJECT INDEX (Cont'd)

<u>Subject</u>	<u>Section No.</u>	<u>Page No.</u>
Intermodulation Distortion		
Definition	2.6	2-105
Type DA Data Transmission Parameters	6.4.2(A)(4)	6-129
Type DB Data Transmission Parameters	6.4.2(B)(4)	6-130
International Blocking	13.3.7(C)	13-42
International Carrier Option	6.3(FF)	6-112
International Dialing Associated with LS2	6.1.2(C)	6-38
Interruptions to Service		
See Credit Allowance		
Interstate Communications, Definition	2.6	2-106
Interstate Minutes of Use		
See Access Minutes		
Interstate Service Arrangement, Definition	2.6	2-106
Intrabuilding Cable	2.1.5	2-8
Intrastate Communications, Definition	2.6	2-106
Issuing Carriers	Title Page	2
Jointly Provided Services		
See Services Provided by More Than One Telephone Company		
Jointly Used Subscriber Plant, Definition	2.6	2-106
Joint Undertaking	1.2	1-1

ISSUE DATE:
February 28, 2011

Issued Under Transmittal No. 1
Vice President-Regulatory Operations
100 CenturyLink Drive
Monroe, Louisiana 71203

EFFECTIVE DATE:
March 1, 2011

ACCESS SERVICE

SUBJECT INDEX (Cont'd)

<u>Subject</u>	<u>Section No.</u>	<u>Page No.</u>
Jurisdictional Report Requirements		
Billing Disputes	2.3.11(C)	2-37
Customer's Responsibility for Determination of Interstate Charges for Mixed Interstate and Intrastate Use	6.6.1	6-148
Directory Assistance Service	2.3.12	2-39
Failure to Provide Data	2.3.11(B)(5)	2-27
Feature Group A, B or Toll Free Code Service	2.3.11(B)(7)	2-29
Feature Group C or D	2.3.11(B)	2-23
Multiline Hunt or Trunk Group Arrangements, Determination of Charges	2.3.11(B)(4)	2-24
Percent Interstate Usage	2.3.11(B)(3)	2-24
Requests When Reasonably Necessary	2.3.11(A)(1)	2-22
Revised Report	2.3.11(C)	2-37
Kilobits Per Second, Definition	2.3.11(B)(7)	2-29
Kilopacket, Definition	2.6	2-106
Kilosegment, Definition	2.6	2-107

ISSUE DATE:
February 28, 2011

Issued Under Transmittal No. 1
Vice President-Regulatory Operations
100 CenturyLink Drive
Monroe, Louisiana 71203

EFFECTIVE DATE:
March 1, 2011

ACCESS SERVICE

SUBJECT INDEX (Cont'd)

<u>Subject</u>	<u>Section No.</u>	<u>Page No.</u>	
Labor Difficulties	2.1.3(H)	2-6	
Late Payment Penalty	2.4.1(B)(3)(b)	2-46	
Liability of Telephone Company	2.1.3	2-4	
Libel			
See Claims for Damages			
Lifeline Assistance Program	4.6	4-6	(T)
Line Information Data Base (LIDB)			
Access Service			
Definition	2.6	2-107	
Description	15.1.2	15-1	
Undertakings of the Telephone Company	15.1.3	15-5	
Obligations of the Customer	15.1.4	15-9	
Rate Regulations	15.1.5	15-9	
Rates and Charges	15.1.6	15-14	
Line Side Connection			
See Also Feature Group A (FGA) Switched			
Access Service			
Definition	2.6	2-107	
Line Side Terminations Associated			
with WATS Access Line Terminations	6.1.2(C)	6-37	
Line Termination Function	6.1.2(C)	6-37	
Lines, Specification in Access Order			
for FGA	5.2	5-5	

ISSUE DATE:
November 17, 2016Issued Under Transmittal No. 88
Vice President-Regulatory Operations
100 CenturyLink Drive
Monroe, Louisiana 71203EFFECTIVE DATE:
December 2, 2016

ACCESS SERVICE

SUBJECT INDEX (Cont'd)

<u>Subject</u>	<u>Section No.</u>	<u>Page No.</u>
Local Access and Transport Area, (LATA)		
Definition	2.6	2-107
Local Calling Area, Definition	2.6	2-108
Local Circuit Facility, Definition	2.6	2-108
Local Information Delivery Services	6.7.11	6-184
Local Number Portability		
Description	20.1	20-1
Query Application	20.3	20-3
Rate Regulations	20.4	20-5
Rates and Charges	20.5	20-6
Service Provisioning	20.2	20-2
Local Switching Options Specification in Access Order	5.2	5-5
Local Switching Rate Element		
Description	6.1.2(C)	6-37
Rates and Charges	6.8.3	6-263
Local Tandem Switch, Definition	2.6	2-108
See Access Tandem		
Location Routing Number, Definition	2.6	2-108

ISSUE DATE:
February 28, 2011

Issued Under Transmittal No. 1
Vice President-Regulatory Operations
100 CenturyLink Drive
Monroe, Louisiana 71203

EFFECTIVE DATE:
March 1, 2011

ACCESS SERVICE

SUBJECT INDEX (Cont'd)

<u>Subject</u>	<u>Section No.</u>	<u>Page No.</u>
Loop Around Test Line, Definition	2.6	2-109
Loss Deviation		
Definition	2.6	2-109
Type A Transmission Specifications	6.4.1(A)(1)	6-121
Type B Transmission Specifications	6.4.1(B)(1)	6-123
Type C Transmission Specifications	6.4.1(C)(1)	6-126
Loss, Testing	6.1.5(A)	6-43
Losses		
See Claims for Damages		
LS1, Definition	6.1.2(C)	6-37
Rates	6.8.3	6-263
LS2, Definition	6.1.2(C)	6-37
Rates	6.8.3	6-264
Maintenance Characteristics		
Obligations of the Customer	2.3.6	2-19
Maintenance of Services	2.1.6	2-8
Maintenance of Service Charge	13.1.9	13-4
Maintenance Test Unit, Definition	2.6	2-109
Major Fraction Thereof, Definition	2.6	2-110

ISSUE DATE:
February 28, 2011

Issued Under Transmittal No. 1
Vice President-Regulatory Operations
100 CenturyLink Drive
Monroe, Louisiana 71203

EFFECTIVE DATE:
March 1, 2011

ACCESS SERVICE

SUBJECT INDEX (Cont'd)

<u>Subject</u>	<u>Section No.</u>	<u>Page No.</u>
Manual Testing (Additional)	13.1.10(A)(3)	13-8
Associated with Feature Group A	6.2.1(D)	6-54
Associated with Feature Group B	6.2.2(D)	6-62
Associated with Feature Group C	6.2.3(D)	6-69
Associated with Feature Group D	6.2.4(D)	6-78
Rates and Charges	13.2	13-13
Maritime Radio Common Carriers (MRCCs)	2.6	2-110
Market Service Area, Definition	2.6	2-110
McCulloch Loop (Alarm System) Signaling	2.3.5	2-19
Measured Blocking Thresholds	6.5.6(D)(1)	6-146
Multiple Company Billing	2.4.8(B)	2-67
Message, Definition	2.6	2-110
Messages, Transmission of	2.1.1(B)	2-1
Message Unit Credit for Feature Group A	6.7.10	6-184
Metallic Facilities		
Limitation of Use	2.1.9	2-12
Substitution	2.1.7	2-9

(D)

ISSUE DATE:
October 17, 2017Issued Under Transmittal No. 96
Vice President-Regulatory Operations
100 CenturyLink Drive
Monroe, Louisiana 71203EFFECTIVE DATE:
November 1, 2017

ACCESS SERVICE

SUBJECT INDEX (Cont'd)

<u>Subject</u>	<u>Section No.</u>	<u>Page No.</u>
Mileage		
See also Directory Assistance Service; Special Access Service; Switched Access Service		
Service Provided by More Than One Telephone Company	2.4.8	2-66
Service Offerings to the Federal Government	10.6.2	10-9
Mileage Measurement		
Exceptions	6.7.12(A)	6-185
Rate Regulations	6.7.12	6-185
Switched Transport	6.7.12	6-185
Milliwatt (102 Type) Test Line, Definition	2.6	2-110
Minimum Period		
Access Orders	5.2.6	5-29
Directory Assistance Service	9.4(A)	9-9
End User Common Line End User Access	4.5(A)	4-3
General	2.4.2	2-51
Part-Time Video and Program Audio		
Special Access Services	5.2.6(C)	5-29
Special Access Service	7.4.3	7-138

(D)

ISSUE DATE:
October 17, 2017Issued Under Transmittal No. 96
Vice President-Regulatory Operations
100 CenturyLink Drive
Monroe, Louisiana 71203EFFECTIVE DATE:
November 1, 2017

ACCESS SERVICE
SUBJECT INDEX (Cont'd)

<u>Subject</u>	<u>Section No.</u>	<u>Page No.</u>
Minimum Period Charges		
Special Access	5.2.7(B)	5-31
Switched Access	5.2.7(A)	5-31
Minimum Protection Criteria	2.1.7	2-9
Customer Responsibility for Redesign	2.3.6	2-19
Minutes of Use, Definition	2.6	2-111
See Access Minutes		
Miscellaneous Services	13.3	13-16
Misconduct, Telephone Company Liability	2.1.3(A)	2-4
Mixed Interstate and Intrastate Access		
Service Determination Charges	2.3.12	2-39
Modifications to Access Order	5.2.3	5-17
Moves		
Directory Assistance Service	9.4(D)	9-10
Service Offering to the Federal Government	10.6.3(C)	10-18
Special Access Service	7.4.5	7-138
Switched Access Service	6.7.5	6-171
MTS/WATS Service		
See Feature Group C (FGC)		
Switched Access Service		
MTS/WATS-Type Service		
See Feature Group A (FGA) Switched Access Service; Feature Group B (FGB) Switched Access Service		

ISSUE DATE:
February 28, 2011

Issued Under Transmittal No. 1
Vice President-Regulatory Operations
100 CenturyLink Drive
Monroe, Louisiana 71203

EFFECTIVE DATE:
March 1, 2011

ACCESS SERVICE

SUBJECT INDEX (Cont'd)

<u>Subject</u>	<u>Section No.</u>	<u>Page No.</u>	
Multiline Business Customer			
Definition	2.6	2-111	
Subscriber Line Charge (SLC)	4.6(B), (C), (D)	4-5, 4-6	(C)
Multiline Hunt Group Arrangement			
Specification in Access Order for			
Feature Group A	5.2	5-5	
Jurisdictional Reports	2.3.11(A)(3)	2-24	
Multiparty Rate for Subscriber Line Charge			
(SLC)	4.6(B), (E), (G)	4-5, 4-6	(C) (C)
Multipoint Service, Description	7.1.3(B)	7-9	
Multipoint Special Access Services,			
Special Access Surcharge	7.4.2(E)(2)	7-137	
N-1 Carrier, Definition	2.6	2-111	
National Defense			
See Emergency Conditions			
Negligence			
Credit Allowance	2.4.4(B)	2-53	
Company Liability	2.1.3(D)	2-5	(T)
Obligations of Customer	2.3.1	2-17	

ISSUE DATE:
September 14, 2018Issued Under Transmittal No. 102
Vice President-Regulatory Compliance & Analytics
100 CenturyLink Drive
Monroe, Louisiana 71203EFFECTIVE DATE:
October 1, 2018

ACCESS SERVICE

SUBJECT INDEX (Cont'd)

<u>Subject</u>	<u>Section No.</u>	<u>Page No.</u>
Negotiation, Definition	2.6	2-111
Network Blocking Charge for Feature Group D	6.7.8	6-183
Network Channel Codes and Channel Interfaces, Special Access	7.3	7-91
Network Channel Interface Codes and Options	7.3.1	7-92
Network Contingency Plans Obligations of Customer	2.3.10	2-21
Undertaking of the Telephone Company	2.1.11	2-13
Network Control Signaling, Definition	2.6	2-111
Network Management, Switched Access Service	6.5.1	6-141
Network Processing Charge, Definition	2.6	2-112
Non-Payment; Non-Complying Customer	2.1.8	2-10
Nonhunting Number for Use with Hunt Group Arrangement or Uniform Call Distribution Arrangement	6.3(W)	6-106

ISSUE DATE:
February 28, 2011

Issued Under Transmittal No. 1
Vice President-Regulatory Operations
100 CenturyLink Drive
Monroe, Louisiana 71203

EFFECTIVE DATE:
March 1, 2011

ACCESS SERVICE

SUBJECT INDEX (Cont'd)

<u>Subject</u>	<u>Section No.</u>	<u>Page No.</u>
Nonrecurring Charges		
Change of Feature Group Type	6.7.4	6-169
Special Access Service	7.4.1(C)	7-126
Switched Access Service	6.7.1(C)	6-152
Nonsynchronous Test Line, Definition	2.6	2-112
North American Numbering Plan, Definition	2.6	2-112
Changes in Telephone Numbers	2.1.12	2-13
Notification to the Customer by Telephone Company		
Changes and Substitutions	2.1.7	2-9
Equal Access Conversion	6.7.1(D)(6)(c)	6-167
Interference or Impairment	2.2.1	2-14
Refusal and Discontinuance of Service	2.1.8	2-10
Service-Affecting Activities	2.1.10	2-13
Temporary Discontinuance of Service	2.2.1(B)	2-16

(D)
(D)ISSUE DATE:
October 17, 2017Issued Under Transmittal No. 96
Vice President-Regulatory Operations
100 CenturyLink Drive
Monroe, Louisiana 71203EFFECTIVE DATE:
November 1, 2017

ACCESS SERVICE

SUBJECT INDEX (Cont'd)

<u>Subject</u>	<u>Section No.</u>	<u>Page No.</u>
Off-Hook		
Definition	2.6	2-112
Supervision with Carrier Common Line		
Access Service	3.4.2	3-3
On-Hook		
Definition	2.6	2-113
Supervision with Carrier Common Line		
Access Service	3.4.2	3-3
Open Circuit Test Line, Definition	2.6	2-113
Operating Characteristics		
Interference or Impairment	2.2.1(A)	2-14
Obligations of the Customer	2.3.6	2-19
Undertaking of Telephone Company	2.1.7	2-9
Operation of Services		
Changes	2.1.7	2-9
Telephone Company Undertaking	2.1.2	2-2
Operational Signaling, Testing	6.1.5(A)	6-43
Operator Service System (OSS), Definition	2.6	2-113
Operator Services	16	16-1
Description	16.1	16-1
Operator Inward Assistance	16.1.2	16-2
Operator Transfer	16.1.1	16-1
Liability of Telephone Company	16.3	16-6
Manner of Provisioning	16.2	16-2
Rates and Charges	16.5.2	16-9
Rate Regulations	16.5	16-8
Operator Trunk - Pay Telephone	6.3(Z)	6-108

ISSUE DATE:
February 28, 2011

Issued Under Transmittal No. 1
Vice President-Regulatory Operations
100 CenturyLink Drive
Monroe, Louisiana 71203

EFFECTIVE DATE:
March 1, 2011

ACCESS SERVICE

SUBJECT INDEX (Cont'd)

<u>Subject</u>	<u>Section No.</u>	<u>Page No.</u>
Operator Trunk-Full Feature	6.3(AA)	6-109
Optional Features and Functions, Special Access Service		
Description	7.1.2(C)	7-7
Installation	7.4.1(C)(2)	7-127
Optional Features, Switched Access Service		
Description	6.3	6-92
Feature Group A	6.2.1(B)	6-52
Feature Group B	6.2.2(B)	6-60
Feature Group C	6.2.3(B)	6-67
Feature Group D	6.2.4(B)	6-75
Switched Transport - Chargeable	6.1.2(B)(5)	6-27
Switched Transport - Nonchargeable	6.1.2(B)(4)	6-24
Ordering		
See Ordering Options for Switched and Special Access		
Services Provided by More Than One Telephone Company	2.4.8	2-65

(D)
(D)
(D)
(D)ISSUE DATE:
October 17, 2017Issued Under Transmittal No. 96
Vice President-Regulatory Operations
100 CenturyLink Drive
Monroe, Louisiana 71203EFFECTIVE DATE:
November 1, 2017

ACCESS SERVICE

SUBJECT INDEX (Cont'd)

<u>Subject</u>	<u>Section No.</u>	<u>Page No.</u>
Ordering Conditions	5.1.1	5-1
Ordering Options and Conditions, Special Access Service	7.1.8	7-14
Ordering Options for Switched and Special Access Service		
Access Order	5.1	5-1
Additional Engineering	5.1.2(C)	5-3
Additional Labor	5.2.1(5)	5-13
Additions to Orders	5.1.2(B)	5-3
Cancellation	5.2.4	5-25
CCS/SS7 Interconnection Service	5.2	5-9
Design Change Charge	5.2.3(C)	5-19
Directory Assistance Service	9.2(E)(1)	9-2
Feature Group A	5.2	5-5
Feature Group B	5.2	5-5
Feature Group C	5.2	5-6
Feature Group D	5.2	5-6
General	5.1	5-1
LIDB Access Service	5.2	5-10
Minimum Period	5.2.6	5-29
Modifications	5.2.3	5-17
Order for Discontinuance of Service	5.2.4	5-25
Ordering Conditions	5.1.1	5-1
Partial Cancellation Charge	5.2.3(B)	5-19
Pricing Flexibility	23.1	23-1
Provision of Other Services	5.1.2	5-3

ISSUE DATE:
February 28, 2011

Issued Under Transmittal No. 1
Vice President-Regulatory Operations
100 CenturyLink Drive
Monroe, Louisiana 71203

EFFECTIVE DATE:
March 1, 2011

ACCESS SERVICE

SUBJECT INDEX (Cont'd)

<u>Subject</u>	<u>Section No.</u>	<u>Page No.</u>
Ordering Options for Switched and Special Access Service (Cont'd)		
Selection of Facilities	5.2.5	5-28
Service Date Change Charge	5.2.3(A)	5-18
Service Date Intervals	5.2.1	5-13
Shared Use Facilities	5.2.8	5-32
Special Access Service	5.2	5-9
Special Construction	5.1.3	5-4
Special Facilities Routing	5.2.5	5-28
Originating Direction, Definition	2.6	2-114
Originating Line Screening	13.3.7(A)	13-41
Originating Line Side Terminations	6.1.2(C)	6-37
Originating Point Code, Definition	2.6	2-114
Other Labor	13.1.7	13-3
Other Participating Carriers	Table of Contents	33
Other Tariffs, Reference To	Table of Contents	37
Other Tariffed Services, Definition	2.6	2-114
Overlap Outpulsing, Definition	2.6	2-115
Overtime Installation	13.1.2	13-2
Overtime Repair	13.1.3	13-2
Ownership of Facilities	2.3.2	2-17
Ownership Rights	2.4.7	2-65
Telephone Numbers	2.1.12	2-13
Obligations of the End User	4.4	4-3

ISSUE DATE:
February 28, 2011

Issued Under Transmittal No. 1
Vice President-Regulatory Operations
100 CenturyLink Drive
Monroe, Louisiana 71203

EFFECTIVE DATE:
March 1, 2011

ACCESS SERVICE

SUBJECT INDEX (Cont'd)

<u>Subject</u>	<u>Section No.</u>	<u>Page No.</u>
Packet, Definition	2.6	2-115
Partial Cancellation Charge	5.2.3(B)	5-19
Participating Carriers		
See Other Participating Carriers		
Patent Infringement		
See Claims for Damages		
Pay Telephone		
Definition	2.6	2-115
Operator Trunk – Pay Telephone	6.3(Z)	6-108
Operator Trunk – Full Feature	6.3(AA)	6-109
Rate Regulations	3.8.2	3-14

ISSUE DATE:
February 28, 2011

Issued Under Transmittal No. 1
Vice President-Regulatory Operations
100 CenturyLink Drive
Monroe, Louisiana 71203

EFFECTIVE DATE:
March 1, 2011

ACCESS SERVICE

SUBJECT INDEX (Cont'd)

<u>Subject</u>	<u>Section No.</u>	<u>Page No.</u>
Payment Arrangements		
See also Credit Allowance		
Adjustments	2.4.1(C)	2-50
Bill Day	2.4.1(B)	2-44
Billing Disputes	2.4.1(B)(3)(c)	2-47
Deposits	2.4.1(A)	2-42
End User Access Charge – Bill Date	2.4.1(B)(1)	2-44
Federal Government	2.4.1(B)(1)	2-44
General Regulations	2.4.1(A)	2-42
Holidays, Saturday or Sunday Payment Date	2.4.1(B)(3)(a)	2-45
Interest Rate for Late Payment Penalty	2.4.1(B)(3)(b)	2-46
Late Factor	2.4.1(B)(3)(b)	2-46
Late Payment Penalty	2.4.1(B)(3)(b)	2-46
Minimum Periods	2.4.2	2-51
Partial Payment	2.4.1(B)(3)(b)	2-46

ISSUE DATE:
February 28, 2011

Issued Under Transmittal No. 1
Vice President-Regulatory Operations
100 CenturyLink Drive
Monroe, Louisiana 71203

EFFECTIVE DATE:
March 1, 2011

ACCESS SERVICE

SUBJECT INDEX (Cont'd)

<u>Subject</u>	<u>Section No.</u>	<u>Page No.</u>
Payment Arrangements (Cont'd)		
Payment Date	2.4.1(B)(3)(a)	2-45
Presubscription Bill Date	2.4.1(B)(1)	2-44
Prorate for Establishment/Discontinuance of Service	2.4.1(C)	2-50
Rounding of Rates of More than Two Decimal Places	2.4.1(E)	2-51
Unbilled Adjustments	2.4.1(B)(1)	2-44
Payment Date		
General Regulations	2.4.1(A)	2-42
Permanent Virtual Circuit, Definition	2.6	2-116
Personal Identification Number (PIN), Definition	2.6	2-116
Phase Jitter		
Definition	2.6	2-116
Type DA Data Transmission Parameters	6.4.2(A)(5)	6-129
Type DB Data Transmission Parameters	6.4.2(B)(5)	6-131
Point of Termination, Definition	2.6	2-116
Political Unrest		
See Emergency Conditions		

ISSUE DATE:
February 28, 2011

Issued Under Transmittal No. 1
Vice President-Regulatory Operations
100 CenturyLink Drive
Monroe, Louisiana 71203

EFFECTIVE DATE:
March 1, 2011

ACCESS SERVICE

SUBJECT INDEX (Cont'd)

<u>Subject</u>	<u>Section No.</u>	<u>Page No.</u>	
Premier Term Discount Plan			
Special Access	7.4.16	7-177	
Premises, Definition	2.6	2-116	(D)
			(D)
			(D)
			(D)
Presidential Service			
See Emergency Conditions			
Presubscription			
Charge Application	13.3.2(B)(4)	13-24	
Description	13.3.2	13-19	
Presubscription Charge	13.3.2(E)	13-23	
Unauthorized PIC Carrier Restoral	13.3.2(D)	13-22	
Pricing Flexibility			
Ordering Options, Additional Labor and Miscellaneous Services	23.1	23-1	(D)
Switched Access	21.1	21-1	
Primary Exchange Carrier, Definition	2.6	2-117	
Privacy			
Impairment by Other Than Telephone Company Equipment	2.2.1	2-15	
Invasion of	2.1.3(E)(1)	2-5	

ISSUE DATE:
October 17, 2017Issued Under Transmittal No. 96
Vice President-Regulatory Operations
100 CenturyLink Drive
Monroe, Louisiana 71203EFFECTIVE DATE:
November 1, 2017

ACCESS SERVICE

SUBJECT INDEX (Cont'd)

<u>Subject</u>	<u>Section No.</u>	<u>Page No.</u>
Program Audio Service		
Description	7.2.3	7-27
Rates and Charges	7.5.3	7-239
Prorated Charges Due to Adjustments	2.4.1(C)	2-50
Protection Criteria		
See Minimum Protection Criteria		
Protective Controls	6.5.1	6-141
Protocol, Definition	2.6	2-117
Provision of Services, General	2.1.4	2-8
Purchase of Other Tariffs/Publications	Table of Contents	37-38
Query, Definition	2.6	2-117
Radio Common Carrier (RCCs)	4.4(A)	4-3
Definition	2.6	2-117
Rate Categories,		
Special Access Service	7.1.2	7-5
Switched Access Service	6.1.2	6-10
Common Channel Signaling/ Signaling System 7 (CCS/SS7)		
Interconnection Service	6.1.2(B)(6)	6-31

ISSUE DATE:
February 28, 2011

Issued Under Transmittal No. 1
Vice President-Regulatory Operations
100 CenturyLink Drive
Monroe, Louisiana 71203

EFFECTIVE DATE:
March 1, 2011

ACCESS SERVICE

SUBJECT INDEX (Cont'd)

<u>Subject</u>	<u>Section No.</u>	<u>Page No.</u>
Rate Regulations		
Carrier Common Line Access	3.8	3-14
Directory Assistance Service	9.5	9-12
End User Access Service	4.6	4-5
LIDB Access Service	15.1.5	15-9
Special Access Service	7.4	7-125
Switched Access Service	6.7	6-151
Rates, Charges, and Deposits, Payment of See Payment Arrangements; Credit Allowances		
Recipient Switch, Definition	2.6	2-117
Reference to Other Tariffs	Table of Contents	37
Reference to Other Publications	Table of Contents	38
References to the Telephone Company	2.3.7	2-19
Refusal and Discontinuance of Service	2.1.8	2-10
Regional Service Management System/ Number Portability Administration Center, Definition	2.6	2-117
Registered Equipment, Definition	2.6	2-118
Release Message, Definition	2.6	2-118
Remote Call Forwarding Application of End User Access Charges	4.6(l)	4-7
Remote Switching Modules, Definition	2.6	2-118
Remote Switching Systems, Definition	2.6	2-118
Report Requirements, Switched Access Service	6.6.1	6-148

ISSUE DATE:
February 28, 2011

Issued Under Transmittal No. 1
Vice President-Regulatory Operations
100 CenturyLink Drive
Monroe, Louisiana 71203

EFFECTIVE DATE:
March 1, 2011

ACCESS SERVICE

SUBJECT INDEX (Cont'd)

<u>Subject</u>	<u>Section No.</u>	<u>Page No.</u>
Resale of MTS and/or MTS-Type Service		
Carrier Common Line Access	3.6.4	3-6
Response, Definition	2.6	2-119
Responsible Organization, Definition	2.6	2-119
Return Loss, Definition	2.6	2-119
Reverse Charge Blocking, Definition	2.6	2-119
Rotary Dial Station Signaling	6.3(Y)	6-107
Rounding of Rates	2.4.1(E)	2-51
Secondary Exchange Carrier, Definition	2.6	2-119
Segment, Definition	2.6	2-120

(D)
 (D)
 (D)
 (D)
 (D)
 (D)
 (D)
 (D)
 (D)

ACCESS SERVICE

SUBJECT INDEX (Cont'd)

<u>Subject</u>	<u>Section No.</u>	<u>Page No.</u>
Service Class Routing	6.3(N)	6-98
Service Code Denial	6.3(B)	6-92
Service Configurations		
Special Access Service	7.1.3	7-8
Service Control Point (SCP), Definition	2.6	2-120
Service Date Change Charge	5.2.3(A)	5-18
Service Date Intervals for Access Order	5.2.1	5-13
Service Descriptions		
Special Access Service	7.2	7-15
Switched Access Service	6.2	6-46
Service Interruptions		
See Credit Allowance		
Service Order, Cancellation	5.2.4	5-25
Service Performance Data	6.5.3	6-144
Service Performance Maintenance Guarantee	2.4.4(B)(6)	2-59
Service Performance Provisioning Guarantee	2.4.9	2-78
Service Rearrangements,		
Special Access Service	7.4.1(C)(3)	7-128
Switched Access Service	6.7.1(C)(3)	6-153
Service Reestablishment Following Disaster	2.4.6	2-64
Services		
Assignment or Transfer	2.1.2(A)	2-2
Installation and Termination	2.1.5	2-8
Maintenance	2.1.6	2-8
Operation		
See Operation of Services		
Provision	2.1.4	2-8

ISSUE DATE:
February 28, 2011

Issued Under Transmittal No. 1
Vice President-Regulatory Operations
100 CenturyLink Drive
Monroe, Louisiana 71203

EFFECTIVE DATE:
March 1, 2011

ACCESS SERVICE

SUBJECT INDEX (Cont'd)

<u>Subject</u>	<u>Section No.</u>	<u>Page No.</u>
Services (Cont'd)		
Refusal and Discontinuance	2.1.8	2-10
Restoration	2.1.2(B)	2-3
Transfer or Assignment	2.1.2(A)	2-2
Scope	2.1.1	2-1
Warranty		
See Warranty of Services		
Service Switching Point, Definition	2.6	2-120
Serving Wire Center, Definition	2.6	2-121
Seven Digit Manual Test Line, Definition	2.6	2-121
Shared Use of Facilities		
Description	6.7.13	6-191
Ordering	5.2.8	5-32
Regulations	7.4.8	7-144
Short Circuit Test Line, Definition	2.6	2-121
Signal to C-Notched Noise Ratio		
Definition	2.6	2-121
Type DA Data Transmission Parameters	6.4.2(A)(1)	6-128
Type DB Data Transmission Parameters	6.4.2(B)(1)	6-129
Signal Transfer Point (STP), Definition	2.6	2-121

(D)

ISSUE DATE:
October 17, 2017Issued Under Transmittal No. 96
Vice President-Regulatory Operations
100 CenturyLink Drive
Monroe, Louisiana 71203EFFECTIVE DATE:
November 1, 2017

ACCESS SERVICE

SUBJECT INDEX (Cont'd)

<u>Subject</u>	<u>Section No.</u>	<u>Page No.</u>	
Special Access Service			
See also, Digital Data Service;			(C)
, High Capacity Service; Program			(C)
Audio Service; Video Service; Voice			
Grade Service; Central Office Bridging;			(D)
Compatible Channel Interface			
Codes			
Acceptance Testing	7.1.7	7-13	
Alternate Use	7.1.4	7-12	
Automatic Loop Transfer	7.2.8(D)(1)	7-42	
Channel Interface Codes	7.3	7-91	
Channel Mileage Rate Element, Description	7.1.2(B)	7-6	
Channel Types, Description	7.1.1	7-2	
Conditioning, Voice Grade Service	7.2.2(D)(4)	7-20	
Credit Allowance	2.4.4	2-53	
Customer Specified Premises Receive Level, Voice Grade Service	7.2.2(D)(4)(e)	7-22	
Daily Rates, Description	7.4.1(B)	7-125	
Data Capability, Voice Grade Service	7.2.2(D)(4)(h)	7-24	
Design Layout Report	7.1.6	7-13	
Digital Cross-Connect Service	7.2.8(D)(5)	7-47	
Digital Hierarchy Level	7.3.3	7-100	(C)
Fractional DS1	7.2.8(A)(2)	7-40	(C)

*This page originally numbered as Page 105, in error.

ISSUE DATE:
September 19, 2022

Issued Under Transmittal No. 125
Vice President-Regulatory Operations
100 CenturyLink Drive
Monroe, Louisiana 71203

EFFECTIVE DATE:
October 4, 2022

ACCESS SERVICE

SUBJECT INDEX (Cont'd)

<u>Subject</u>	<u>Section No.</u>	<u>Page No.</u>
Special Access Service		
See also, Digital Data Service; Ethernet Virtual Private Line, High Capacity Service; Program Audio Service; Video Service; Voice Grade Service; Central Office Bridging; Central Office Multiplexing; Compatible Channel Interface Codes		
Acceptance Testing	7.1.7	7-13
Alternate Use	7.1.4	7-12
Automatic Loop Transfer	7.2.8(D)(1)	7-42
Channel Interface Codes	7.3	7-91
Channel Mileage Rate Element, Description	7.1.2(B)	7-6
Channel Types, Description	7.1.1	7-2
Conditioning, Voice Grade Service	7.2.2(D)(4)	7-20
Credit Allowance	2.4.4	2-53
Customer Specified Premises Receive Level, Voice Grade Service	7.2.2(D)(4)(e)	7-22
Daily Rates, Description	7.4.1(B)	7-125
Data Capability, Voice Grade Service	7.2.2(D)(4)(h)	7-24
Design Layout Report	7.1.6	7-13
Digital Cross-Connect Service	7.2.8(D)(5)	7-47
Digital Hierarchy Level (1)	7.3.3	7-100
Ethernet Virtual Private Line	7.2.16	7-84
Fractional DS1	7.2.8(A)(2)	7-40

ISSUE DATE:
February 28, 2011

Issued Under Transmittal No. 1
Vice President-Regulatory Operations
100 CenturyLink Drive
Monroe, Louisiana 71203

EFFECTIVE DATE:
March 1, 2011

ACCESS SERVICE

SUBJECT INDEX (Cont'd)

<u>Subject</u>	<u>Section No.</u>	<u>Page No.</u>
Special Access Service (Cont'd)		
Gain Conditioning, Program Audio Service	7.2.3(D)(2)	7-29
Glossary of Channel Interface Codes and Options	7.3.1	7-92
Hub		
Definition	2.6	2-103
Facility Hubs	7.4.7	7-141
Impedance	7.3.2	7-99
Improved Return Loss, Voice Grade Service	7.2.2(D)(4)(g)	7-23
Individual Case Filings	7.6	7-504
Installation Charges	7.4.1(C)(1)	7-127
Mileage Measurement	7.4.6	7-140
Minimum Period	7.4.3	7-138
Monthly Rates, Description	7.4.1(A)	7-125
Moves	7.4.5	7-138
Multipoint Service, Description	7.1.3(B)	7-9
Network Channel Codes and Channel Interfaces	7.3	7-91
Nonrecurring Charges, Description	7.4.1(C)	7-126
Optional Features and Functions, Description	7.1.2(C)	7-7
Ordering Options and Conditions	7.1.8	7-14
Rate Categories	7.1.2	7-5
Rate Regulations	7.4	7-125

(D)

ISSUE DATE:
October 17, 2017Issued Under Transmittal No. 96
Vice President-Regulatory Operations
100 CenturyLink Drive
Monroe, Louisiana 71203EFFECTIVE DATE:
November 1, 2017

ACCESS SERVICE

SUBJECT INDEX (Cont'd)

<u>Subject</u>	<u>Section No.</u>	<u>Page No.</u>
Special Access Service (Cont'd)		
Rates and Charges	7.5	7-224
Secondary Channel	7.2.7(D)(3)	7-38
Service Configurations	7.1.3	7-8
Service Descriptions	7.2	7-15
Service Rearrangements	7.4.1(C)(3)	7-128
Shared Use of Digital High Capacity Services	7.4.8	7-144
Signaling Capability, Voice Grade Service	7.2.2(C)	7-19
Special Facilities Routing	7.1.5	7-12
Stereo, Program Audio Service	7.2.3(D)(3)	7-30
Telephoto Capability, Voice Grade Service	7.2.2(D)(4)(I)	7-25
Term Discount Plan	7.4.11	7-159
Two-Point Service, Description	7.1.3(A)	7-8
Video Service	7.2.4	7-31
Voice Grade Service	7.2.2	7-18
Zone Density Plan	7.4.10	7-147
Special Access Service Surcharge	7.4.2	7-132
Exemptions	7.4.2(B)	7-133
Rate	7.5.9	7-304

(D)

ISSUE DATE:
October 17, 2017Issued Under Transmittal No. 96
Vice President-Regulatory Operations
100 CenturyLink Drive
Monroe, Louisiana 71203EFFECTIVE DATE:
November 1, 2017

ACCESS SERVICE

SUBJECT INDEX (Cont'd)

<u>Subject</u>	<u>Section No.</u>	<u>Page No.</u>
Special Construction	14	14-1
Access Order	5.1.3	5-4
Customer Fails to Authorize Replacement	2.4.4(C)(5)	2-62
Special Facilities Routing		
Description	11.1	11-1
Directory Access Service	9.2(E)(4)	9-6
Ordered with Access Order	5.2.5(B)	5-25
Rates and Charges	11.2	11-4
Special Access Service	7.1.5	7-12
Switched Access Service	6.1.3	6-42
Special Federal Government Access Services		
See Federal Government		
Special Order, Definition	2.6	2-122
Specialized Network Services	8.	8-1
Specialized Service or Arrangements		
General	12.1	12-1
Rates and Charges	12.3	12-2

ISSUE DATE:
February 28, 2011

Issued Under Transmittal No. 1
Vice President-Regulatory Operations
100 CenturyLink Drive
Monroe, Louisiana 71203

EFFECTIVE DATE:
March 1, 2011

ACCESS SERVICE

SUBJECT INDEX (Cont'd)

<u>Subject</u>	<u>Section No.</u>	<u>Page No.</u>	
Standard Return Loss			
Type A Transmission Specifications	6.4.1(A)(5)	6-122	
Type B Transmission Specifications	6.4.1(B)(5)	6-124	
Type C Transmission Specifications	6.4.1(C)(5)	6-127	
Standard Transmission Specifications	6.4.1	6-120	
Stand-By	13.1.4	13-2	
Stereo, Program Audio Service	7.2.3(D)(3)	7-30	
Statistical Multiplexing, Definition	2.6	2-122	
Subtending End Office of an Access Tandem, Definition	2.6	2-122	
Subscriber Line Charge (SLC)	4.5(E)	4-4	(N)
Subscriber Line Ratio, Development of Suits	6.7.1(D)(6)(b)	6-164	
See Claims for Damages			
Supervisory Signaling			
Obligation of the Customer	6.6.2	6-150	
Optional Feature in Association with Switched Transport	6.1.2(B)(4)(a)	6-24	
Surcharge for Special Access Service			
Crediting	7.4.2(D)	7-135	
Example	7.4.2(E)(1)	7-136	
Exemptions	7.4.2(B)	7-133	
Exemption Certification	7.4.2(C)(1)	7-134	
General	7.4.2(A)	7-132	
Rate	7.5.9	7-304	
Surrender of Service, Temporary	2.4.4(E)	2-63	
Switch Supervisory Signaling			
In Relation to Premise Interface Codes	6.1.2(B)(4)(a)	6-24	
Switch Termination, Definition	2.6	2-122	

ISSUE DATE:
September 14, 2018Issued Under Transmittal No. 102
Vice President-Regulatory Operations
100 CenturyLink Drive
Monroe, Louisiana 71203EFFECTIVE DATE:
October 1, 2018

ACCESS SERVICE

SUBJECT INDEX (Cont'd)

<u>Subject</u>	<u>Section No.</u>	<u>Page No.</u>
Switched Access Service		
See also, Feature Group A; Feature Group B; Feature Group C; Feature Group D; Directory Assistance Service; Carrier Common Line; Access Service; End User Access Service;		
Access Order; Local Switching		
Optional Features; Transport Termination		
Optional Features; CCS/SS7 Interconnection Service		
Acceptance Testing	6.1.5(A)	6-43
Application of Rates	6.7.1(D)	6-162
Application of Rates for Extension Service	6.7.9	6-184
Available Premises Interface Codes	6.4.3(G)	6-138
Call Screening	6.3(LL)	6-114
Change of Feature Group Type	6.7.4	6-169
Code Screening Reports	6.6.1(B)	6-148
Common Channel Signaling/Signaling System 7 (CCS/SS7) Interconnection Service	6.1.2(B)(6)	6-31
Custom Calling Features	6.2.1(B)(3)(a)	6-54
Customer Specification of Switched Transportation Termination	6.1.2(B)(5)	6-28

ISSUE DATE:
February 28, 2011

Issued Under Transmittal No. 1
Vice President-Regulatory Operations
100 CenturyLink Drive
Monroe, Louisiana 71203

EFFECTIVE DATE:
March 1, 2011

ACCESS SERVICE
SUBJECT INDEX (Cont'd)

<u>Subject</u>	<u>Section No.</u>	<u>Page No.</u>
Switched Access Service (Cont'd)		
Data Transmission Parameters		
General	6.1.2(B)(4)(c)	6-26
Type DA	6.4.2(A)	6-128
Type DB	6.4.2(B)	6-129
Description - General	6.1	6-1
Description of Feature Groups		
FGA	6.1.1(A)	6-2
FGB	6.1.1(B)	6-3
FGC	6.1.1(C)	6-4
FGD	6.1.1(D)	6-4
Description of Rates and Charges	6.7.1	6-162
Design and Traffic Routing	6.5.2	6-142
Design Blocking Probability	6.5.6	6-145
Design Layout Report	6.1.4	6-42
Determination of Number of Transmission Paths	6.5.5	6-144
Toll Free Code (TFC) Access Service	6.2.5	6-79
General	6.1	6-1
In-Service Testing	6.1.5(B)	6-44

ISSUE DATE:
February 28, 2011

Issued Under Transmittal No. 1
Vice President-Regulatory Operations
100 CenturyLink Drive
Monroe, Louisiana 71203

EFFECTIVE DATE:
March 1, 2011

ACCESS SERVICE

SUBJECT INDEX (Cont'd)

<u>Subject</u>	<u>Section No.</u>	<u>Page No.</u>
Switched Access Service (Cont'd)		
Installation of Service	6.7.1(C)(1)	6-153
Intercept Function	6.1.2(C)	6-37
Interface Groups	6.4.3	6-131
Interim 500 Access Service	6.2.7	6-88
Jurisdictional Reports	6.6.1(A)	6-148
Line Termination Function	6.1.2(C)	6-36
Local Information Delivery Services	6.7.11	6-184
Local Switching Function	6.1.2(C)	6-37
Manner of Provision	6.1.1(H)	6-9
Measuring Access Minutes - General	6.7.7	6-173
FGA	6.7.7(E)	6-175
FGB	6.7.7(F)	6-176
FGC	6.7.7(G)	6-177
FGD	6.7.7(H)	6-178
Toll Free Code (TFC) Access	6.7.7(I)	6-180
Interim 500 Access	6.7.7(K)	6-182
900 Access	6.7.7(J)	6-181
Message Unit Credit	6.7.10	6-184
Mileage Measurement	6.7.12	6-185
Minimum Monthly Charge	6.7.3	6-168

ISSUE DATE:
February 28, 2011

Issued Under Transmittal No. 1
Vice President-Regulatory Operations
100 CenturyLink Drive
Monroe, Louisiana 71203

EFFECTIVE DATE:
March 1, 2011

ACCESS SERVICE

SUBJECT INDEX (Cont'd)

<u>Subject</u>	<u>Section No.</u>	<u>Page No.</u>
Switched Access Service (Cont'd)		
Monthly Rates, Description	6.7.1(A)	6-151
Moves	6.7.5	6-171
Network Blocking Charge For Feature Group D	6.7.8	6-183
Network Management	6.5.1	6-141
900 Access Service	6.2.6	6-85
Nonchargeable Option Features, Switched Transport	6.1.2(B)(4)	6-24
Nonrecurring Charges	6.7.1(C)	6-152
Obligations of the Customer	6.6	6-148
Optional Features, Description	6.3	6-92
Ordering Options and Conditions	5.1.1	5-1
Pricing Flexibility	21.1	21-1
Provision of Feature Groups	6.1.1	6-1
Provision of Service Performance Data	6.5.3	6-144
Rate Categories	6.1.2	6-10
Rate Regulations	6.7	6-151
Rates and Charges	6.8	6-206
Report Requirements	6.6.1	6-148
Service Rearrangements	6.7.1(C)(3)	6-153
Shared Use	6.7.13	6-191
Special Facilities Routing	6.1.3	6-42
Standard Transmission Specifications	6.4.1	6-120
Supervisory Signaling Obligations of the Customer	6.6.2	6-150
Switched Transport Optional Feature	6.1.2(B)(4)(a)	6-24
Switched 64 Clear Channel Capability	6.3(MM)	6-114
Switched Transport	6.1.2(B)	6-14

ISSUE DATE:
February 28, 2011

Issued Under Transmittal No. 1
Vice President-Regulatory Operations
100 CenturyLink Drive
Monroe, Louisiana 71203

EFFECTIVE DATE:
March 1, 2011

ACCESS SERVICE

SUBJECT INDEX (Cont'd)

<u>Subject</u>	<u>Section No.</u>	<u>Page No.</u>
Switched Access Service (Cont'd)		
Testing	6.1.5	6-43
Transmission Specifications	6.4.1	6-120
Trunk Group Measurement Reports	6.6.3	6-150
Type A Transmission Specifications	6.4.1(A)	6-121
Type B Transmission Specifications	6.4.1(B)	6-123
Type C Transmission Specifications	6.4.1(C)	6-126
Usage Rates	6.7.1(B)	6-151
Switched Transport for Switched Access Service		
Description	6.1.2(B)	6-14
Interface Groups	6.4.3	6-131
Nonchargeable Optional Features	6.1.2(B)(4)	6-24
Rates and Charges	6.8.2	6-206
Switched Transport Optional Features		
Feature Group A	6.2.1(B)(2)	6-53
Feature Group B	6.2.2(B)(2)	6-61
Feature Group C	6.2.3(B)(2)	6-68
Feature Group D	6.2.4(B)(2)	6-76
Specification in Access Order	5.2	5-5
Symbols, Explanation of	Table of Contents	34
Synchronous, Definition	2.6	2-123
Synchronous Test Line, Definition	2.6	2-123
Synchronous Transport Signal – Level (STS1), Definition	2.6	2-123
Tandem-Switched Transport, Definition	2.6	2-124
Tariffs, Reference to Other	Table of Contents	37
Technical Publications	Table of Contents	38

(D)

ISSUE DATE:
October 17, 2017Issued Under Transmittal No. 96
Vice President-Regulatory Operations
100 CenturyLink Drive
Monroe, Louisiana 71203EFFECTIVE DATE:
November 1, 2017

ACCESS SERVICE

SUBJECT INDEX (Cont'd)

<u>Subject</u>	<u>Section No.</u>	<u>Page No.</u>
Telephone Company Obligations		
See also Telephone Company Undertaking	2.1	2-1
Telephone Company, References to		
See References to the Telephone Company		
Telephone Company Undertaking		
Carrier Common Line Access Service	3.3	3-3
Directory Assistance Service	9.2	9-1
End User Access Service	4.3	4-2
General Regulations	2.1	2-1
Switched Access Service	6.5	6-141
Telephone Numbers		
Ownership of	2.1.12	2-13
Telephoto Capability,		
Voice Grade Service	7.2.2(D)(4)(I)	7-25
Term Discount Plans		
Special Access	7.4.11	7-159
Termination Charges at Discontinuance of		
Service to Non-Complying Customer	2.1.8(B)	2-10
Terminating Direction, Definition	2.6	2-124

(D)

ISSUE DATE:
October 17, 2017Issued Under Transmittal No. 96
Vice President-Regulatory Operations
100 CenturyLink Drive
Monroe, Louisiana 71203EFFECTIVE DATE:
November 1, 2017

ACCESS SERVICE

SUBJECT INDEX (Cont'd)

<u>Subject</u>	<u>Section No.</u>	<u>Page No.</u>
Testing		
See also Acceptance Testing; Additional Cooperative Testing; Manual Testing; Testing Services		
Associated with Feature Group A	6.2.1(D)	6-54
Associated with Feature Group B	6.2.2(D)	6-62
Associated with Feature Group C	6.2.3(D)	6-69
Associated with Feature Group D	6.2.4(D)	6-78
Availability	2.3.4	2-18
Maintenance with Other Telephone Companies		
Special Access Service	13.1.10 (B)(1)	13-10
Switched Access Service	13.1.10(A)(2)	13-7
Testing Services		
Additional Automatic Testing (AAT)	13.1.10(A)(1)	13-7
Provision of Test Results to Customer	13.3.1(A)(3)	13-18
Rates and Charges	13.3.1(A)(1)	13-16
Additional Cooperative Testing (ACT)		
Rates and Charges	13.3.1(A)(2)	13-17
Special Access	13.1.10(B)(1)	13-10
Switched Access	13.1.10(A)(2)	13-7

ISSUE DATE:
February 28, 2011

Issued Under Transmittal No. 1
Vice President-Regulatory Operations
100 CenturyLink Drive
Monroe, Louisiana 71203

EFFECTIVE DATE:
March 1, 2011

ACCESS SERVICE
SUBJECT INDEX (Cont'd)

<u>Subject</u>	<u>Section No.</u>	<u>Page No.</u>
Testing Services (Cont'd)		
Additional Manual Testing (AMT)		
Rates and Charges	13.2	13-13
Special Access	13.1.10(B)(2)	13-11
Switched Access	13.1.10(A)(3)	13-8
General	13.1.10	13-5
Miscellaneous Additional Testing (MAT)		
Rates and Charges	13.2	13-13
Special Access	13.1.10(B)(3)	13-11
Switched Access	13.1.10(A)(4)	13-8
Obligation of the Customer		
Special Access	13.1.10(B)(4)	13-12
Switched Access	13.1.10(A)(5)	13-9
Theft of Facilities	2.3.2	2-17
Three Tone (3-Tone) Slope	6.1.5(A)	6-43
Throughput Class, Definition	2.6	2-124
Title Rights	2.4.7	2-65
Toll Free Code (TFC) Access Service		
Definition	2.6	2-124
Description	6.2.5(A)	6-79
Manner of Provision	6.1.1(E)	6-6
Optional Service Features	6.2.5(C)	6-83
Rate and Charges	6.8.4	6-269
Rate Categories	6.1.2(D)	6-39
Technical Specifications	6.2.5(B)	6-82
Toll Free Code Service Management System,		
Definition	2.6	2-124
Toll Free Code Service Provider, Definition	2.6	2-125

ISSUE DATE:
February 28, 2011

Issued Under Transmittal No. 1
Vice President-Regulatory Operations
100 CenturyLink Drive
Monroe, Louisiana 71203

EFFECTIVE DATE:
March 1, 2011

ACCESS SERVICE

SUBJECT INDEX (Cont'd)

<u>Subject</u>	<u>Section No.</u>	<u>Page No.</u>
Transition Billing Arrangement, Both Equal and Unequal Offices	6.7.1(D)(2)	6-162
Transmission Measuring (105 Type) Test Line Responder, Definition	2.6	2-125
Transmission Parameters Changes, Rearrangements, and Substitutions	2.1.7	2-9
Transmission Path Blocking Threshold	6.7.8	6-183
Definition	2.6	2-125
Determination of Number	6.5.5	6-144
Specification In Access Orders for High Capacity Facilities to a Hub	5.2.5(A)	5-28
Specification under Special Facilities Routing	11.1	11-1
Transmission Specifications for Switched Access Service Directory Access Service	9.2(E)(6)	9-7
Feature Groups, All	6.4	6-120

ISSUE DATE:
February 28, 2011

Issued Under Transmittal No. 1
Vice President-Regulatory Operations
100 CenturyLink Drive
Monroe, Louisiana 71203

EFFECTIVE DATE:
March 1, 2011

ACCESS SERVICE

SUBJECT INDEX (Cont'd)

<u>Subject</u>	<u>Section No.</u>	<u>Page No.</u>
Transport Element		
See also Switched Access Service		
Determining Ordering, Rating, and		
Billing of Access Services Where		
More Than One Exchange Telephone		
Company is Involved	2.4.8	2-65
Trunk, Definition	2.6	2-125
Trunk Access Limitation	6.3(P)	6-99
Trunk Group, Definition	2.6	2-126
Trunk Group Arrangements		
Feature Group B	5.2	5-5
Directory Assistance Service	9.3(D)	9-9
Trunk Group Measurement Reports	6.5.4	6-144
Trunk Side Connection, Definition	2.6	2-126
Trunks		
Specification in Access Order for		
Feature Group B	5.2	5-5
Specification in Access Order for		
Feature Group D	5.2	5-6
Two-Point Service, Description	7.1.3(A)	7-8
270 Mbps Digital Video Transport Service		
Description	22.4.1	22-14
Rates and Charges	22.5.5	22-47
Two-Wire to Four-Wire Conversion,		
Definition	2.6	2-126
Type A Transmission Specifications	6.4.1(A)	6-121

ISSUE DATE:
February 28, 2011

Issued Under Transmittal No. 1
Vice President-Regulatory Operations
100 CenturyLink Drive
Monroe, Louisiana 71203

EFFECTIVE DATE:
March 1, 2011

ACCESS SERVICE

SUBJECT INDEX (Cont'd)

<u>Subject</u>	<u>Section No.</u>	<u>Page No.</u>
Type B Transmission Specifications	6.4.1(B)	6-123
Type C Transmission Specifications	6.4.1(C)	6-126
Type DA Data Transmission Parameters	6.4.2(A)	6-128
Type DB Transmission Parameters	6.4.2(B)	6-129
Unbundled Network Elements, Definition	2.6	2-126
Uniform Call Distribution Arrangement For Use with Special Access and Provision of WATS	6.3.(V)	6-105
Unlawful Use	2.2.2	2-16
Up to 7 Digit Outpulsing of Access Digits to Customer	6.3(G)	6-95
Usage Rates, Switched Access Service	6.7.1(B)	6-151
Use and Restoration of Services	2.1.2(B)	2-3
V and H Coordinates Method, Definition	2.6	2-126
Video Service		
Description	7.2.4	7-31
Rates and Charges	7.5.4	7-248
Virtual Circuit, Definition	2.6	2-127
Voice Grade Service		
Description	7.2.2	7-18
Rates and Charges	7.5.2	7-225

ISSUE DATE:
February 28, 2011

Issued Under Transmittal No. 1
Vice President-Regulatory Operations
100 CenturyLink Drive
Monroe, Louisiana 71203

EFFECTIVE DATE:
March 1, 2011

ACCESS SERVICE

SUBJECT INDEX (Cont'd)

<u>Subject</u>	<u>Section No.</u>	<u>Page No.</u>
War		
See Emergency Conditions	2.1.3(l)	2-6
Warranty of Services		
When Used in Explosive Atmosphere	2.1.3(l)	2-6
WATS		
See Feature Group C (FGC) Switched Access Service		
WATS Serving Office, Definition	2.6	2-127
WATS-Type Service		
See Feature Group A; Feature Group B; Feature Group D		
Window Size, Definition	2.6	2-127
Wire Center, Definition	2.6	2-128
Wire, Provided by Telephone Company	2.1.5	2-8
Worker's Compensation Claims		
See Claims for Damages		
Zone Density Plan	7.4.10	7-147

ISSUE DATE:
February 28, 2011

Issued Under Transmittal No. 1
Vice President-Regulatory Operations
100 CenturyLink Drive
Monroe, Louisiana 71203

EFFECTIVE DATE:
March 1, 2011

ACCESS SERVICE

1. Application of Tariff

1.1 This tariff contains regulations, rates and charges applicable to the provision of Carrier Common Line, Universal Service Fund (USF), End User Access, Switched Access and Special Access End-User Channel Terminations (EUCTs) in Non-Competitive areas, and other miscellaneous services, hereinafter referred to collectively as service(s), provided by the issuing carriers of this tariff, hereinafter referred to as the Telephone Company or the Company, to Customer(s).

The Special Access Service regulations, rates and charges in this tariff are for Special Access EUCTs in Non-Competitive areas. In some instances, Special Access services will be referred to in general terms to assist in understanding the services that encompass an entire circuit.

Special Access Service that remains subject to Section 203 of the Communications Act must be filed in this tariff. Special Access Service not subject to Section 203 is provided outside this tariff. Documents, agreements or contracts that provide service outside this tariff may be accessed at the Company's website or the Company's other designated location. Rates and regulations for Special Access Service provided outside this tariff cannot supersede, negate or revise the rates and regulations contained within this tariff, and deemed lawful status does not convey to such non-tariffed services.

Pursuant to the Commission's Rules, regulations concerning administration and billing of Universal Service Fund rates and charges are contained in Section 4 herein.

1.2 The provision of such services by the Company as set forth in this tariff does not constitute a joint undertaking with the customer for the furnishing of any service.

1.3 Exceptions to the rate schedules contained in this tariff are as follows:

No exceptions

(C)
(D)
|
(D)

Material deleted from this page now appears in Brightspeed Local Operating Companies Tariff F.C.C. NO. 4.

(N)
(N)

ISSUE DATE:
September 19, 2022

Issued Under Transmittal No. 125
Vice President-Regulatory Operations
100 CenturyLink Drive
Monroe, Louisiana 71203

EFFECTIVE DATE:
October 4, 2022

ACCESS SERVICE

2. General Regulations

For Special Access Services, only Non-Competitive End-User Channel Terminations (EUCTs) are filed as part of this tariff. General Regulations for other Special Access Services to complete the circuit are outside this tariff and can be accessed at the Company's website or Company's other designated location.

(N)
|
(N)2.1 Undertaking of the Company

(C)

2.1.1 Scope

- (A) The Company will provide services under this tariff only to Customers in connection with their use and/or provision of interstate communications service. (C)
- (B) The Company does not undertake to transmit messages under this tariff. (C)
- (C) The Company shall be responsible only for the installation, operation and maintenance of the services it provides. (C)
- (D) The Company will, for maintenance purposes, test its services only to the extent necessary to detect and/or clear troubles. (C)
- (E) Services are provided 24 hours daily, seven days per week, except as set forth in other applicable sections of this tariff.
- (F) The Company does not warrant that its facilities and services meet standards other than those set forth in this tariff. (C)

ACCESS SERVICE

2. General Regulations (Cont'd)2.1 Undertaking of the Telephone Company (Cont'd)2.1.2 Limitations

- (A) The customer may not assign or transfer the use of services provided under this tariff; however, where there is no interruption of use or relocation of the services, such assignment or transfer may be made to:
- (1) another customer, whether an individual, partnership, association or corporation, provided the assignee or transferee assumes all outstanding indebtedness for such services, and the unexpired portion of the minimum period and the termination liability applicable to such services, if any; or
 - (2) a court-appointed receiver, trustee or other person acting pursuant to law in bankruptcy, receivership, reorganization, insolvency, liquidation or other similar proceedings, provided the assignee or transferee assumes the unexpired portion of the minimum period and the termination liability applicable to such services, if any.

In all cases of assignment or transfer, the written acknowledgment of the Telephone Company is required prior to such assignment or transfer which acknowledgment shall be made within 15 days from the receipt of notification. All regulations and conditions contained in this tariff shall apply to such assignee or transferee.

The assignment or transfer of services does not relieve or discharge the assignor or transferor from remaining jointly or severally liable with the assignee or transferee for any obligations existing at the time of the assignment or transfer.

ISSUE DATE:
February 28, 2011

Issued Under Transmittal No. 1
Vice President-Regulatory Operations
100 CenturyLink Drive
Monroe, Louisiana 71203

EFFECTIVE DATE:
March 1, 2011

ACCESS SERVICE

2. General Regulations (Cont'd)2.1 Undertaking of the Telephone Company (Cont'd)2.1.2 Limitations (Cont'd)

- (B) The installation, use, and restoration of services shall be in accordance with Part 64, Subpart D, of the Federal Communications Commission's Rules and shall be subject to the regulations set forth following in Section 13.3.6(A), Telecommunications Service Priority (TSP) System.
- (C) Subject to compliance with the rules mentioned in (B) preceding, the services offered herein will be provided to customers on a first-come, first-served basis.
- (D) The use of the Automatic Number Identification (ANI) and Charge Number (CN) optional features shall be subject to the following limitations in accordance with Part 64, Subpart P, of the Federal Communications Commission's Rules. Any customer that is provided ANI or Charge Number service, as offered in Section 6 of this tariff, is:
 - (1) permitted to use the telephone number and billing information for billing and collection, routing, screening, and completion of the originating telephone subscriber's call or transaction, or for services directly related to the originating telephone subscriber's call or transaction;
 - (2) prohibited from reusing or selling the telephone number or billing information without first notifying the originating telephone subscriber and obtaining the affirmative consent of such subscriber for such reuse or sale; and
 - (3) prohibited from disclosing any information derived from the ANI or Charge Number service, except as permitted by (1) and (2) above, for any purpose other than:
 - performing the services or transactions that are the subject of the originating telephone subscriber's call;

ISSUE DATE:
February 28, 2011

Issued Under Transmittal No. 1
Vice President-Regulatory Operations
100 CenturyLink Drive
Monroe, Louisiana 71203

EFFECTIVE DATE:
March 1, 2011

ACCESS SERVICE

2. General Regulations (Cont'd)2.1 Undertaking of the Telephone Company (Cont'd)2.1.2 Limitations (Cont'd)

(D) (3) (Cont'd)

- ensuring network performance security, and the effectiveness of call delivery;
- compiling, using, and disclosing aggregate information; and
- complying with applicable law or legal process.

The above restrictions shall not prevent an ANI or Charge Number customer from using the telephone number and billing information, or information derived from analysis of the characteristics of calls received that include the ANI or Charge Number information, to offer a product or service that is directly related to the products or services previously purchased by an end user of the ANI or Charge Number customer.

2.1.3 Liability

- (A) The Telephone Company's liability, if any, for its willful misconduct is not limited by this tariff. With respect to any other claim or suit, by a customer or by any others, for damages associated with the installation, provision, preemption, termination, maintenance, repair or restoration of service, and subject to the provisions of (B) through (J) following, the Telephone Company's liability, if any, shall not exceed an amount equal to the proportionate charge for the service for the period during which the service was affected. This liability for damages shall be in addition to any amounts that may otherwise be due the customer under this tariff as a Credit Allowance for a Service Interruption.
- (B) The Telephone Company shall not be liable for any act or omission of any other carrier or customer providing a portion of a service, nor shall the Telephone Company for its own act or omission hold liable any other carrier or customer providing a portion of a service.

ISSUE DATE:
February 28, 2011

Issued Under Transmittal No. 1
Vice President-Regulatory Operations
100 CenturyLink Drive
Monroe, Louisiana 71203

EFFECTIVE DATE:
March 1, 2011

ACCESS SERVICE

2. General Regulations (Cont'd)2.1 Undertaking of the Telephone Company (Cont'd)2.1.3 Liability (Cont'd)

- (C) The Telephone Company shall not be liable for any act or omission concerning the implementation of presubscription as set forth in 13.3.2 following, unless the damage is caused by the Telephone Company's negligence.
- (D) The Telephone Company is not liable for damages to the customer premises resulting from the furnishing of a service, including the installation and removal of equipment and associated wiring, unless the damage is caused by the Telephone Company's negligence.
- (E) The Telephone Company shall be indemnified, defended and held harmless by the IC or end user against any claim, loss or damage arising from the use of services offered under this tariff. This obligation to indemnify, defend and hold harmless shall attach to the IC or the End User separately, and each shall be responsible for its own acts and omissions, including:
 - (1) Claims for libel, slander, invasion of privacy, or in-fringement of copyright arising from any communications;
 - (2) Claims for patent infringement arising from combining or using the service furnished by the Telephone Company in connection with facilities or equipment furnished by the end user or IC or;
 - (3) All other claims arising out of any act or omission of the end user or IC in the course of using services provided pursuant to this tariff.

Notwithstanding the other provisions of this Section, the Telephone Company shall be indemnified, defended and held harmless by the Customer from any and all claims by any person relating to the Customer's use of services provided under this tariff.

ISSUE DATE:
February 28, 2011

Issued Under Transmittal No. 1
Vice President-Regulatory Operations
100 CenturyLink Drive
Monroe, Louisiana 71203

EFFECTIVE DATE:
March 1, 2011

ACCESS SERVICE

2. General Regulations (Cont'd)2.1 Undertaking of the Telephone Company (Cont'd)2.1.3 Liability (Cont'd)

- (F) The Telephone Company is not liable for any special, incidental or consequential damages, or for commercial loss of any kind, whether or not it has been informed of the possibility of such damages.
- (G) No license under patents (other than the limited license to use) is granted by the Telephone Company or shall be implied or arise by estoppel, with respect to any service offered under this tariff. The Telephone Company will defend the customer against claims of patent infringement arising solely from the use by the customer of services offered under this tariff and will indemnify such customer for any damages awarded based solely on such claims.
- (H) The Telephone Company's failure to provide or maintain services under this tariff shall be excused by labor difficulties, governmental orders, civil commotions, criminal actions taken against the Telephone Company, acts of God and other circumstances beyond the Telephone Company's reasonable control, subject to the Credit Allowance for a Service Interruption as set forth in 2.4.4 following.
- (I) The Telephone Company does not guarantee or make any warranty with respect to its services when used in an explosive atmosphere. The Telephone Company shall be indemnified, defended and held harmless by the customer from any and all claims by any person relating to such customer's use of services so provided.

ISSUE DATE:
February 28, 2011

Issued Under Transmittal No. 1
Vice President-Regulatory Operations
100 CenturyLink Drive
Monroe, Louisiana 71203

EFFECTIVE DATE:
March 1, 2011

ACCESS SERVICE

2. General Regulations (Cont'd)2.1 Undertaking of the Telephone Company (Cont'd)2.1.3 Liability (Cont'd)

- (J) The Telephone Company will make reasonable effort to cure any material failure to provide service caused solely by year 2000 defects in Telephone Company hardware, software or systems. Due to the interdependence among telecommunications providers and the interrelationship with non-Embarq Local Operating Company processes, equipment and systems, the Telephone Company is not responsible for failures caused by circumstances beyond its control including, but not limited to, failures caused by: (1) the Customer; (2) other telecommunications providers; or (3) customer premises equipment. In addition, the Telephone Company does not ensure compatibility between Telephone Company and non-Telephone Company services used by the Customer.

ISSUE DATE:
February 28, 2011

Issued Under Transmittal No. 1
Vice President-Regulatory Operations
100 CenturyLink Drive
Monroe, Louisiana 71203

EFFECTIVE DATE:
March 1, 2011

ACCESS SERVICE

2. General Regulations (Cont'd)2.1 Undertaking of the Telephone Company (Cont'd)2.1.4 Provision of Services

The Telephone Company, to the extent that such services are or can be made available with reasonable effort, and after provision has been made for the Telephone Company's Telephone Exchange Services, will provide to the customer, upon reasonable notice, services offered in other applicable sections of this tariff at rates and charges specified therein.

2.1.5 Installation and Termination of Services

The Access Services provided under this tariff (A) will include any entrance cable or drop wiring and wire or intrabuilding cable to that point where provision is made for termination of the Telephone Company's outside distribution network facilities at a suitable location inside a customer-designated premises and (B) will be installed by the Telephone Company to such Point of Termination. Access Service has only one Point of Termination per customer premises. Any additional terminations beyond such Point of Termination are the sole responsibility of the customer. The Point of Termination is an inherent part of Switched and Special Access Services, therefore, the preceding does not preclude the customer's ability to have the Point of Termination moved as set forth in 6.7.5 and 7.4.5 following for Switched and Special Services, respectively.

2.1.6 Maintenance of Services

The services provided under this tariff shall be maintained by the Telephone Company. The customer or others may not rearrange, move, disconnect, remove or attempt to repair any facilities provided by the Telephone Company, other than by connection or disconnection to any interface means used, except with the written consent of the Telephone Company.

ISSUE DATE:
February 28, 2011

Issued Under Transmittal No. 1
Vice President-Regulatory Operations
100 CenturyLink Drive
Monroe, Louisiana 71203

EFFECTIVE DATE:
March 1, 2011

ACCESS SERVICE

2. General Regulations (Cont'd)2.1 Undertaking of the Telephone Company (Cont'd)2.1.7 Changes and Substitutions

Except as provided for equipment and systems subject to FCC Part 68 Regulations at 47 C.F.R. Section 68.110(b), the Telephone Company may, where such action is reasonably required in the operation of its business, (A) substitute, change or rearrange any facilities used in providing service under this tariff, including but not limited to, (1) substitution of different metallic facilities, (2) substitution of carrier or derived facilities for metallic facilities used to provide other than metallic facilities and (3) substitution of metallic facilities for carrier or derived facilities used to provide other than metallic facilities, (B) change minimum protection criteria, (C) change operating or maintenance characteristics of facilities or (D) change operations or procedures of the Telephone Company. In case of any such substitution, change or rearrangement, the transmission parameters will be within the range as set forth in 6. and 7. following. The Telephone Company shall not be responsible if any such substitution, change or rearrangement renders any customer furnished services obsolete or requires modification or alteration thereof or otherwise affects their use or performance. If such substitution, change or rearrangement materially affects the operating characteristics of the facility, the Telephone Company will provide reasonable notification to the customer in writing. Reasonable time will be allowed for any redesign and implementation required by the change in operating characteristics. The Telephone Company will work cooperatively with the customer to determine reasonable notification requirements.

ISSUE DATE:
February 28, 2011

Issued Under Transmittal No. 1
Vice President-Regulatory Operations
100 CenturyLink Drive
Monroe, Louisiana 71203

EFFECTIVE DATE:
March 1, 2011

ACCESS SERVICE

2. General Regulations (Cont'd)

2.1 Undertaking of the Telephone Company (Cont'd)

2.1.8 Refusal and Discontinuance of Service

(A) If a customer fails to comply with the provisions set forth in this tariff, including any payments to be made by it on the dates and times therein specified, the Telephone Company may, on thirty (30) calendar days written notice, by mail or by email if the customer is billed electronically or consents to receiving electronic notification, to the person designated by that customer to receive such notice of noncompliance, refuse additional applications for service and/or refuse to complete any pending orders for service by the noncomplying customer at any time thereafter. (C)
(C)

If the Telephone Company does not refuse additional applications for service on the date specified in the thirty (30) days notice, and the customer's noncompliance continues, nothing contained herein shall preclude the Telephone Company's right to refuse additional applications for service to the noncomplying customer without further notice.

(B) If a customer fails to comply with the provisions set forth in this tariff, including any payments to be made by it on the dates and times therein specified, the Telephone Company may, on thirty (30) calendar days written notice, by mail or by email if the customer is billed electronically or consents to receiving electronic notification, to the person designated by that customer to receive such notices of noncompliance, discontinue the provision of the services to the noncomplying customer at any time thereafter. In the case of such discontinuance, all applicable charges, including termination charges, shall become due. If the Telephone Company does not discontinue the provision of the services involved on the date (C)
(C)

ACCESS SERVICE

2. General Regulations (Cont'd)2.1 Undertaking of the Telephone Company (Cont'd)2.1.8 Refusal and Discontinuance of Service (Cont'd)

(B) (Cont'd)

specified in the thirty (30) days notice, and the customer's noncompliance continues, nothing contained herein shall preclude the Telephone Company's right to discontinue the provision of the services to the noncomplying customer without further notice.

(C) The Telephone Company will maintain records sufficient to validate the date upon which a bill or deposit request was sent to the customer. Action specified in (A) or (B) preceding will not be taken with regard to the subject bill or subject deposit request if the customer cures the noncompliance prior to the expiration of the thirty (30) days notice period.

(D) When access service is provided by more than one Telephone Company, the Companies involved in providing the joint service may individually or collectively deny service to a customer for nonpayment. Where the Telephone Company(s) affected by the nonpayment is incapable of effecting discontinuance of service without the cooperation of the other joint providers of Switched Access Service, such other Telephone Company(s) will, if technically feasible, assist in denying the joint service to the customer. Service denial for such joint service will only include calls originating or terminating within, or transiting, the operating territory of the Telephone Company(s) initiating the service denial for nonpayment. When more than one of the joint providers must deny service to effectuate service discontinuance for nonpayment, and where a conflict exists in the applicable tariff provisions, the regulations of the end office Telephone Company shall apply for joint service discontinuance.

ISSUE DATE:
February 28, 2011

Issued Under Transmittal No. 1
Vice President-Regulatory Operations
100 CenturyLink Drive
Monroe, Louisiana 71203

EFFECTIVE DATE:
March 1, 2011

ACCESS SERVICE

2. General Regulations (Cont'd)

2.1 Undertaking of the Telephone Company (Cont'd)

2.1.8 Refusal and Discontinuance of Service (Cont'd)

(E) Reserved for Future Use

(C)
(D)
(D)
(D)

(F) The provisions set forth in (A) or (B) preceding shall not apply to charges that a customer does not pay based on the submission of a good faith dispute pursuant to Section 2.4.1(B)(3)(c) following.

2.1.9 Limitation of Use of Metallic Facilities

Signals applied to a metallic facility shall conform to the limitations set forth in Technical Reference Publication PUB AS No. 1.

ISSUE DATE:
March 15, 2019

Issued Under Transmittal No. 104
Vice President-Regulatory Operations
100 CenturyLink Drive
Monroe, Louisiana 71203

EFFECTIVE DATE:
March 30, 2019

ACCESS SERVICE

2. General Regulations (Cont'd)2.1 Undertaking of the Telephone Company (Cont'd)2.1.10 Notification of Service-Affecting Activities

The Telephone Company will provide the customer reasonable notification of service-affecting activities that may occur in normal operation of its business. Such activities may include, but are not limited to, equipment or facilities additions, removals or rearrangements, routine preventative maintenance and major switching machine change-out. Generally, such activities are not individual customer service specific, they affect many customer services. No specific advance notification period is applicable to all service activities. The Telephone Company will work cooperatively with the customer to determine reasonable notification requirements.

2.1.11 Coordination with Respect to Network Contingencies

The Telephone Company intends to work cooperatively with the customer to develop network contingency plans in order to maintain maximum network capability following natural or man-made disasters which affect telecommunications services.

2.1.12 Provision and Ownership of Telephone Numbers

The Telephone Company reserves the reasonable right to assign, designate or change telephone numbers, any other call number designations associated with Access Services, or the Telephone Company serving central office prefixes associated with such numbers, when necessary in the conduct of its business. Should it become necessary to make a change in such number(s), the Telephone Company will furnish to the customer 6 months notice, by certified U.S. Mail, of the effective date and an explanation of the reason(s) for such change(s).

2.1.13 Representation

The Telephone Company does not represent that its facilities will meet standards other than those set forth in Sections 6, 7, 8 and 12 of this tariff.

ISSUE DATE:
February 28, 2011

Issued Under Transmittal No. 1
Vice President-Regulatory Operations
100 CenturyLink Drive
Monroe, Louisiana 71203

EFFECTIVE DATE:
March 1, 2011

ACCESS SERVICE

2. General Regulations (Cont'd)

2.1 Undertaking of the Company (Cont'd)

(C)

2.1.14 Metropolitan Statistical Area Access Service

When switched dedicated services are provided in a Metropolitan Statistical Area (MSA) for which the Company has been granted Phase II pricing flexibility pursuant to Subpart H of Part 69 of the Commission's Rules, the regulations, rates and charges set forth in Sections 21 and 23 of this tariff will apply. Switched dedicated services provided in areas for which pricing flexibility has not been granted will be governed by the regulations, rates and charges set forth in Sections 5, 6 and 13.

(C)

(C)

ISSUE DATE:
October 17, 2017

Issued Under Transmittal No. 96
Vice President-Regulatory Operations
100 CenturyLink Drive
Monroe, Louisiana 71203

EFFECTIVE DATE:
November 1, 2017

ACCESS SERVICE

2. General Regulations (Cont'd)2.2 Use2.2.1 Interference or Impairment

- (A) The characteristics and methods of operation of any circuits, facilities or equipment provided by other than the Telephone Company and associated with the facilities utilized to provide services under this tariff shall not interfere with or impair service over any facilities of the Telephone Company, its affiliated companies, or its connecting and concurring carriers involved in its services, cause damage to their plant, impair the privacy of any communications carried over their facilities or create hazards to the employees of any of them or the public.
- (B) Except as provided for equipment or systems subject to the FCC Part 68 Rules in 47 C.F.R. Section 68.108, if such characteristics or methods of operation are not in accordance with (A) preceding, the Telephone Company will,

ISSUE DATE:
February 28, 2011

Issued Under Transmittal No. 1
Vice President-Regulatory Operations
100 CenturyLink Drive
Monroe, Louisiana 71203

EFFECTIVE DATE:
March 1, 2011

ACCESS SERVICE

2. General Regulations (Cont'd)

2.2 Use (Cont'd)2.2.1 Interference or Impairment (Cont'd)

(B) (Cont'd)

where practicable, notify the customer that temporary discontinuance of the use of a service may be required; however, where prior notice is not practicable, nothing contained herein shall be deemed to preclude the Telephone Company's right to temporarily discontinue forthwith the use of a service if such action is reasonable under the circumstances. In case of such temporary discontinuance, the customer will be promptly notified and afforded the opportunity to correct the condition which gave rise to the temporary discontinuance. During such period of temporary discontinuance, credit allowance for service interruptions as set forth in 2.4.4 (A) and (B) following is not applicable.

2.2.2 Unlawful Use

The service provided under this tariff shall not be used for an unlawful purpose.

ISSUE DATE:
February 28, 2011

Issued Under Transmittal No. 1
Vice President-Regulatory Operations
100 CenturyLink Drive
Monroe, Louisiana 71203

EFFECTIVE DATE:
March 1, 2011

ACCESS SERVICE

2. General Regulations (Cont'd)2.3 Obligations of the Customer2.3.1 Damages

The customer shall reimburse the Telephone Company for damages to Telephone Company facilities utilized to provide services under this tariff caused by the negligence or willful act of the customer, or resulting from the customer's improper use of the Telephone Company facilities, or due to malfunction of any facilities or equipment provided by other than the Telephone Company. Nothing in the foregoing provision shall be interpreted to hold one customer liable for another customer's actions. The Telephone Company will, upon reimbursement for damages, cooperate with the customer in prosecuting a claim against the person causing such damage and the customer shall be subrogated to the right of recovery by the Telephone Company for the damages to the extent of such payment.

2.3.2 Ownership of Facilities and Theft

Facilities utilized by the Telephone Company to provide service under the provisions of this tariff shall remain the property of the Telephone Company. Such facilities shall be returned to the Telephone Company by the customer, whenever requested, within a reasonable period following the request in as good condition as reasonable wear will permit.

ISSUE DATE:
February 28, 2011

Issued Under Transmittal No. 1
Vice President-Regulatory Operations
100 CenturyLink Drive
Monroe, Louisiana 71203

EFFECTIVE DATE:
March 1, 2011

ACCESS SERVICE

2. General Regulations (Cont'd)2.3 Obligations of the Customer (Cont'd)2.3.3 Equipment Space and Power

The customer shall furnish or arrange to have furnished to the Telephone Company, at no charge, equipment space and electrical power required by the Telephone Company to provide services under this tariff at the points of termination of such services. The selection of ac or dc power shall be mutually agreed to by the customer and the Telephone Company. The customer shall also make necessary arrangements in order that the Telephone Company will have access to such spaces at reasonable times for installing, testing, repairing or removing Telephone Company Services.

2.3.4 Availability for Testing

The services provided under this tariff shall be available to the Telephone Company at times mutually agreed upon in order to permit the Telephone Company to make tests and adjustments appropriate for maintaining the services in satisfactory operating condition. Such tests and adjustments shall be completed within a reasonable time. No credit will be allowed for any interruptions involved during such tests and adjustments.

ISSUE DATE:
February 28, 2011

Issued Under Transmittal No. 1
Vice President-Regulatory Operations
100 CenturyLink Drive
Monroe, Louisiana 71203

EFFECTIVE DATE:
March 1, 2011

ACCESS SERVICE

2. General Regulations (Cont'd)2.3 Obligations of the Customer (Cont'd)2.3.5 Balance

All signals for transmission over the services provided under this tariff shall be delivered by the customer balanced to ground except for ground start, duplex (DX) and McCulloh-Loop (Alarm System) type signaling.

2.3.6 Design of Customer Services

Subject to the provisions of 2.1.7 preceding, the customer shall be solely responsible, at its own expense, for the overall design of its services and for any redesigning or rearrangement of its services which may be required because of changes in facilities, operations or procedures of the Telephone Company, minimum protection criteria or operating or maintenance characteristics of the facilities.

2.3.7 References to the Telephone Company

The customer may advise end users that certain services are provided by the Telephone Company in connection with the service the customer furnishes to end users; however, the customer shall not represent that the Telephone Company jointly participates in the customer's services.

ISSUE DATE:
February 28, 2011

Issued Under Transmittal No. 1
Vice President-Regulatory Operations
100 CenturyLink Drive
Monroe, Louisiana 71203

EFFECTIVE DATE:
March 1, 2011

ACCESS SERVICE

2. General Regulations (Cont'd)2.3 Obligations of the Customer (Cont'd)2.3.8 Claims and Demands for Damages

- (A) With respect to claims of patent infringement made by third persons, the customer shall defend, indemnify, protect and save harmless the Telephone Company from and against all claims arising out of the combining with, or use in connection with, the services provided under this tariff, any circuit, apparatus, system or method provided by the customer.
- (B) The customer shall defend, indemnify and save harmless the Telephone Company from and against any suits, claims, losses or damages, including punitive damages, attorney fees and court costs by third persons arising out of the construction, installation, operation, maintenance, or removal of the customer's circuits, facilities, or equipment connected to the Telephone Company's services provided under this tariff, including, without limitation, Workmen's Compensation claims, actions for infringement of copyright and/or unauthorized use of program material, libel and slander actions based on the content of communications transmitted over the customer's circuits, facilities or equipment, and proceedings to recover taxes, fines, or penalties for failure of the customer to obtain or maintain in effect any necessary certificates, permits, licenses, or other authority to acquire or operate the services provided under this tariff; provided, however, the foregoing indemnification shall not apply to suits, claims, and demands to recover damages for damage to property, death, or personal injury unless such suits, claims or demands are based on the tortious conduct of the customer, its officers, agents or employees.

ISSUE DATE:
February 28, 2011

Issued Under Transmittal No. 1
Vice President-Regulatory Operations
100 CenturyLink Drive
Monroe, Louisiana 71203

EFFECTIVE DATE:
March 1, 2011

ACCESS SERVICE

2. General Regulations (Cont'd)2.3 Obligations of the Customer (Cont'd)2.3.8 Claims and Demands for Damages (Cont'd)

- (C) The customers shall defend, indemnify and save harmless the Telephone Company from and against any suits, claims, losses or damages, including punitive damages, attorney fees and court costs by the customer or third parties arising out of any act or omission of the customer in the course of using services provided under this tariff.

2.3.9 Sectionalization - Trouble Reporting

The customer will be responsible for reporting troubles, sectionalized to Telephone Company facilities and/or equipment. When troubles cannot be clearly sectionalized to the Telephone Company facilities and/or equipment, the Telephone Company will test cooperatively or independently to assist in trouble sectionalization. Additional charges, as set forth in Section 13, are applicable for cooperative or independent testing performed by the Telephone Company.

2.3.10 Coordination with Respect to Network Contingencies

The customer shall, in cooperation with the Telephone Company, coordinate in planning the actions to be taken to maintain maximum network capability following natural or man-made disasters which affect telecommunications services.

ISSUE DATE:
February 28, 2011

Issued Under Transmittal No. 1
Vice President-Regulatory Operations
100 CenturyLink Drive
Monroe, Louisiana 71203

EFFECTIVE DATE:
March 1, 2011

ACCESS SERVICE

2. General Regulations (Cont'd)2.3 Obligations of the Customer (Cont'd)2.3.11 Jurisdictional Report Requirements(A) Percent Interstate Usage (PIU)

- (1) Pursuant to Federal Communications Commission order F.C.C. 85-145 adopted April 16, 1985, interstate usage is to be developed as though every call that enters a customer network at a point within the same state as that in which the called station (as designated by the called station number) is situated is an intrastate communication and every call for which the point of entry is in a state other than that where the called station (as designated by the called station number) is situated is an interstate communication.
- (2) When the Telephone Company has measurement capability to provide the data to determine the jurisdiction of the usage, the Telephone company will determine the jurisdiction of the usage. In those instances where the Telephone Company cannot determine the jurisdiction, the projected interstate percentages will be used by the Telephone Company to apportion the usage between interstate and intrastate until a revised report is received as set forth in (B)(7) following. (N)
(N)
(N)
(N)
(T)
- (3) A projected interstate percentage of use is not required for the International DDD Blocking Miscellaneous Service described in 13.3.7(C) following. International Blocking is offered only as an interstate service, and charges will not be prorated between the intrastate and interstate jurisdictions.

(B) Jurisdictional Reports

When the Telephone Company receives sufficient call detail to permit it to determine the jurisdiction of originating and terminating access minutes of use, the Telephone Company will bill the minutes of use according to that jurisdiction and will not use the customer provided PIU factors provided as set forth in (1) through (10) following. (T)
(T)

ISSUE DATE:
June 17, 2013

Issued Under Transmittal No. 42
Vice President-Regulatory Operations
100 CenturyLink Drive
Monroe, Louisiana 71203

EFFECTIVE DATE:
July 2, 2013

ACCESS SERVICE

2. General Regulations (Cont'd)

2.3 Obligations of the Customer (Cont'd)

2.3.11 Jurisdictional Report Requirements (Cont'd)

(B) Jurisdictional Reports (Cont'd)

(D)

(D)

When the Telephone Company receives insufficient call detail to determine the jurisdiction, the Telephone Company will apply the customer's projected PIU factor, provided as set forth in (1) through (10) following, to apportion the usage between interstate and intrastate.

- (1) When a customer orders Feature Group A, Feature Group B, 500 Access Service and/or Toll Free Code (TFC) Access Service, the customer shall state in its order the projected interstate percentage for interstate usage for each Feature Group A, Feature Group B, 500 Access Service and/or TFC Access Service ordered. If the customer discontinues some but not all of the Feature Group A, Feature Group B, 500 Access Service and/or TFC Access Services in a group, it shall provide an updated projected interstate percentage for the remaining services in the group. Additionally, upon employing the 700 access code over Feature Group D, the customer must provide a projected interstate percentage for the 700 calls. If the customer fails to provide a 700 projected interstate percentage, a default percentage of 100% interstate will be assumed.

ISSUE DATE:
June 17, 2013

Issued Under Transmittal No. 42
Vice President-Regulatory Operations
100 CenturyLink Drive
Monroe, Louisiana 71203

EFFECTIVE DATE:
July 2, 2013

ACCESS SERVICE

2. General Regulations (Cont'd)2.3 Obligations of the Customer (Cont'd)2.3.11 Jurisdictional Report Requirements (Cont'd)(B) Jurisdictional Reports (Cont'd)

- (2) For single connection arrangements, the interstate Feature Group A, Feature Group B, and/or TFC Access Service information reported as set forth in (1) preceding will be used to determine the charges. The number of access minutes (either the measured minutes or the assumed minutes) for a connection will be multiplied by the projected interstate percentage to develop the interstate access minutes. The number of access minutes for the connection minus the developed interstate access minutes for the connection will be the developed intrastate access minutes.
- (3) For multiline hunt group or trunk group arrangements, the interstate Feature Group A, Feature Group B, and/or TFC Access Service information reported as set forth in (1) preceding will be used to determine the charges. The number of access minutes (either the measured minutes or the assumed minutes) for a service will be multiplied by the projected interstate percentage to develop the interstate access minutes. The number of access minutes for the service minus the developed interstate access minutes for the service will be the developed intrastate access minutes.
- (4) When a customer orders Feature Group C, Feature Group D, TFC or 900 Access Services, the projected interstate percentage will be determined as set forth in (a) through (c) following:

ISSUE DATE:
February 28, 2011

Issued Under Transmittal No. 1
Vice President-Regulatory Operations
100 CenturyLink Drive
Monroe, Louisiana 71203

EFFECTIVE DATE:
March 1, 2011

ACCESS SERVICE

2. General Regulations (Cont'd)2.3 Obligations of the Customer (Cont'd)2.3.11 Jurisdictional Report Requirements (Cont'd)(B) Jurisdictional Reports (Cont'd)

(4) (Cont'd)

- (a) For originating Feature Group C and originating Feature Group D used in the provision of MTS/MTS-like service, the Telephone Company will determine the projected interstate percentage of use from the call detail.
- (b) For terminating Feature Group C used in the provision of MTS/MTS-like service, and terminating Feature Group C used in the provision of 900 service, the projected interstate percentage of use will be determined through the application of terminating to originating (T/O) factors as set forth in Section 6.7.7 following.
- (c) For terminating Feature Group D used in the provision of MTS/MTS-like service, terminating Feature Group D used in the provision of 900 service, originating Feature Group C and Feature Group D used in the provision of 900 service, and originating and terminating Feature Group D used in the provision of Toll Free Code (TFC) service, the customer shall provide the projected interstate usage percentage in its access service order. In the event the customer fails to provide a projected interstate percentage, the Telephone Company will determine the projected interstate percentage as follows:

ISSUE DATE:
February 28, 2011

Issued Under Transmittal No. 1
Vice President-Regulatory Operations
100 CenturyLink Drive
Monroe, Louisiana 71203

EFFECTIVE DATE:
March 1, 2011

ACCESS SERVICE

2. General Regulations (Cont'd)

2.3 Obligations of the Customer (Cont'd)

2.3.11 Jurisdictional Report Requirements (Cont'd)

(B) Jurisdictional Reports (Cont'd)

(4) (Cont'd)

(c) (Cont'd)

For originating access minutes, the projected interstate percentage will be developed on a monthly basis when the Feature Group C or Feature Group D Switched Access Service minutes are measured by dividing the measured interstate originating minutes (the minutes where the calling number is in one state and the called number is in another state) by the total originating minutes when the call detail is adequate to determine the appropriate jurisdiction.

For terminating access minutes, the data used by the Telephone Company to develop the projected interstate percentage for originating access minutes will be used to develop projected interstate percentage for such terminating access minutes.

ISSUE DATE:
February 28, 2011

Issued Under Transmittal No. 1
Vice President-Regulatory Operations
100 CenturyLink Drive
Monroe, Louisiana 71203

EFFECTIVE DATE:
March 1, 2011

ACCESS SERVICE

2. General Regulations (Cont'd)2.3 Obligations of the Customer (Cont'd)2.3.11 Jurisdictional Report Requirements (Cont'd)(B) Jurisdictional Reports (Cont'd)

(4) (Cont'd)

(c) (Cont'd)

When originating call details are insufficient to determine the jurisdiction for the call, the prior month's projected interstate percentage shall be used by the Telephone Company as the projected interstate percentage for originating and terminating access minutes. The projected intrastate percentage of use will be obtained by subtracting the projected interstate percentage for originating and terminating access minutes from 100 (i.e., 100 - interstate percentage = intrastate percentage).

(5) When a customer orders Directory Assistance Service, the customer shall state in its order the projected interstate percentage for terminating use for each Directory Access Service group ordered. (A method the customer may wish to adopt could be to use its terminating traffic from its premises to the involved Directory Assistance Location and calculate the projected interstate percentage as set forth in (4) preceding.) The Telephone Company will designate the number obtained by subtracting the projected interstate percentage furnished by the customer from 100 (100 - customer provided interstate percentage = intrastate percentage) as the projected intrastate percentage of use.

ISSUE DATE:
February 28, 2011

Issued Under Transmittal No. 1
Vice President-Regulatory Operations
100 CenturyLink Drive
Monroe, Louisiana 71203

EFFECTIVE DATE:
March 1, 2011

ACCESS SERVICE

2. General Regulations (Cont'd)2.3 Obligations of the Customer (Cont'd)2.3.11 Jurisdictional Report Requirements (Cont'd)(B) Jurisdictional Reports (Cont'd)

- (6) Except where Telephone Company measured access minutes are used as set forth in (4) preceding, the customer reported number of interstate services or interstate percentage of use as set forth in (1), (4) or (5) preceding will be used until the customer reports a different projected interstate percentage for an in service end office. When the customer adds or discontinues lines or trunks to an existing end office, the customer shall furnish an updated projected interstate percentage that applies to the end office. The revised report will serve as the basis for future billing and will be effective on the next bill date. No prorating or back billing will be done based on the report.

ISSUE DATE:
February 28, 2011

Issued Under Transmittal No. 1
Vice President-Regulatory Operations
100 CenturyLink Drive
Monroe, Louisiana 71203

EFFECTIVE DATE:
March 1, 2011

ACCESS SERVICE

2. General Regulations (Cont'd)

2.3 Obligations of the Customer (Cont'd)

2.3.11 Jurisdictional Report Requirements (Cont'd)

(B) Jurisdictional Reports (Cont'd)

(D)

- (7) (a) Effective on the first of January, April, July and October of each year, the customer shall provide a revised jurisdictional report showing the interstate and intrastate percentage of use for the past three months ending the last day of December, March, June and September, respectively, for each service arranged for interstate use. The customer shall forward the revised report to the Telephone Company, to be received no later than 15 days after the first of each such month, (i.e., January, April, July and October). The revised report will serve as the basis for the next three months billing (i.e., beginning the first of February, May, August and November) and will be effective on the customer's bill date for that service. No prorating or back billing will be done based on the report.

If the customer does not supply the revised reports, the Telephone Company will assume the percentages to be the same as those provided in the last quarterly report. For those cases in which a quarterly report has never been received from the customer, the Telephone Company will assume the percentages to be the same as those provided in the order for service as set forth in (1), (4) and (5) preceding.

ISSUE DATE:
September 19, 2022

Issued Under Transmittal No. 125
Vice President-Regulatory Operations
100 CenturyLink Drive
Monroe, Louisiana 71203

EFFECTIVE DATE:
October 4, 2022

ACCESS SERVICE

2. General Regulations (Cont'd)

2.3 Obligations of the Customer (Cont'd)

2.3.11 Jurisdictional Report Requirements (Cont'd)

(B) Jurisdictional Reports (Cont'd)

(7) (b) **Reserved for Future Use**

(D)

(D)

**Material deleted from this page now appears in Brightspeed Local Operating Companies
Tariff F.C.C. NO. 4.**

(N)

(N)

ISSUE DATE:
September 19, 2022

Issued Under Transmittal No. 125
Vice President-Regulatory Operations
100 CenturyLink Drive
Monroe, Louisiana 71203

EFFECTIVE DATE:
October 4, 2022

ACCESS SERVICE

2. General Regulations (Cont'd)

2.3 Obligations of the Customer (Cont'd)

2.3.11 Jurisdictional Report Requirements (Cont'd)

(B) Jurisdictional Reports (Cont'd)

(7) (c) **Reserved for Future Use**

(D)

(D)

**Material deleted from this page now appears in Brightspeed Local Operating Companies
Tariff F.C.C. NO. 4.**

(N)

(N)

ISSUE DATE:
September 19, 2022

Issued Under Transmittal No. 125
Vice President-Regulatory Operations
100 CenturyLink Drive
Monroe, Louisiana 71203

EFFECTIVE DATE:
October 4, 2022

ACCESS SERVICE

2. General Regulations (Cont'd)

2.3 Obligations of the Customer (Cont'd)

2.3.11 Jurisdictional Report Requirements (Cont'd)

(B) Jurisdictional Reports (Cont'd)

(7) (c) **Reserved for Future Use** (Cont'd)

(T)

(D)

(D)

**Material deleted from this page now appears in Brightspeed Local Operating Companies
Tariff F.C.C. NO. 4.**

(N)

(N)

ISSUE DATE:
September 19, 2022

Issued Under Transmittal No. 125
Vice President-Regulatory Operations
100 CenturyLink Drive
Monroe, Louisiana 71203

EFFECTIVE DATE:
October 4, 2022

ACCESS SERVICE

2. General Regulations (Cont'd)2.3 Obligations of the Customer (Cont'd)2.3.11 Jurisdictional Report Requirements (Cont'd)(B) Jurisdictional Reports (Cont'd)

- (8) When a customer orders Common Channel Signaling/ Signaling System 7 (CCS/SS7) Interconnection Service, the customer shall provide to the Telephone Company in its order for the service, a CCS/SS7 Interconnection Service Percent Interstate Usage (PIU) Report.

Customers who provide the CCS/SS7 Interconnection Service PIU Report shall supply the Telephone Company with an interstate percentage, of 0 through 100, per Signaling Transfer Point (STP) Port Termination. This STP Port Termination PIU will be an average PIU based upon the jurisdiction (interstate versus intrastate) of those originating end user calls that require use of the specified STP Port Termination for signaling purposes.

ISSUE DATE:
February 28, 2011

Issued Under Transmittal No. 1
Vice President-Regulatory Operations
100 CenturyLink Drive
Monroe, Louisiana 71203

EFFECTIVE DATE:
March 1, 2011

ACCESS SERVICE

2. General Regulations (Cont'd)2.3 Obligations of the Customer (Cont'd)2.3.11 Jurisdictional Report Requirements (Cont'd)(B) Jurisdictional Reports (Cont'd)

(8) (Cont'd)

The PIU provided by the customer for the STP Port Termination will be used by the Telephone Company to determine the jurisdiction (interstate versus intrastate) of the customer's STP Access Mileage charges.

The CCS/SS7 Interconnection Service PIU must be provided to the Telephone Company upon ordering service, and thereafter, on a quarterly basis. Provisions for updating the interstate and intrastate jurisdictional report as specified in Section 2.3.11(B)(7) preceding will also apply for updating the CCS/SS7 Interconnection Service PIU Report. The Telephone Company will utilize the quarterly CCS/SS7 Interconnection Service PIU Report for the STP Port Termination to update the STP Access Mileage PIU effective on the bill date for the service.

Verification provisions as specified in Section 2.3.11(C) following will also apply to the CCS/SS7 Interconnection Service PIU Report.

ISSUE DATE:
February 28, 2011

Issued Under Transmittal No. 1
Vice President-Regulatory Operations
100 CenturyLink Drive
Monroe, Louisiana 71203

EFFECTIVE DATE:
March 1, 2011

ACCESS SERVICE

2. General Regulations (Cont'd)2.3 Obligations of the Customer (Cont'd)2.3.11 Jurisdictional Report Requirements (Cont'd)(B) Jurisdictional Reports (Cont'd)

- (9) When a customer orders Line Information Data Base (LIDB) Access Service, the customer shall in its order provide to the Telephone Company a LIDB Access Service Percent Interstate Usage (PIU) Report.

Customers who provide the LIDB Access Service PIU Report shall supply the Telephone Company with an interstate percentage per originating point code (OPC) ordered. The LIDB Access Service PIU will be an average PIU based upon the jurisdiction (interstate versus intrastate) of those originating end user calls for which the Telephone Company LIDB is being queried.

The LIDB Access Service PIU Report must be provided to the Telephone Company upon ordering service, and thereafter, on a quarterly basis. Provisions for updating the interstate and intrastate jurisdictional report are as specified in Section 2.3.11(B)(7), and will also apply for the LIDB Access Service PIU Report.

Verification provisions as specified in Section 2.3.11(C) will also apply for LIDB Access Service PIU Report.

- (10) Entrance Facility and Direct-Trunked Transport

Entrance Facility and Direct-Trunked Transport will be made available on December 30, 1993 in conformance with the restructure of Local Transport. In order to provide these new services on December 30, 1993, customers of Switched Access services must provide new PIU factors that reflect all Switched Access services using these restructured facilities.

ISSUE DATE:
February 28, 2011

Issued Under Transmittal No. 1
Vice President-Regulatory Operations
100 CenturyLink Drive
Monroe, Louisiana 71203

EFFECTIVE DATE:
March 1, 2011

ACCESS SERVICE

2. General Regulations (Cont'd)2.3 Obligations of the Customer (Cont'd)2.3.11 Jurisdictional Report Requirements (Cont'd)(B) Jurisdictional Reports (Cont'd)(10) Entrance Facility and Direct-Trunked Transport (Cont'd)

- (a) When an Entrance Facility is provided for both interstate and intrastate Switched Access, the customer must provide a Switched Access Entrance Facility PIU factor on a serving wire center or study area level. The Entrance Facility PIU must account for all Switched Access originating and terminating usage carried over the Entrance Facility.
- (b) When Direct-Trunked Transport is provided for both interstate and intrastate Switched Access, the customer must provide a Switched Access Direct-Trunked Transport PIU factor on a study area level. The Direct-Trunked Transport PIU must account for all Switched Access originating and terminating usage carried over the Direct-Trunked Transport facilities.
- (c) If the customer does not provide a Switched Access PIU factor for an Entrance Facility or Direct-Trunked Transport as set forth in (a) and (b) above, the Telephone Company will develop a PIU for the Entrance Facility and Direct-Trunked Transport using the most current representative period.

ISSUE DATE:
February 28, 2011

Issued Under Transmittal No. 1
Vice President-Regulatory Operations
100 CenturyLink Drive
Monroe, Louisiana 71203

EFFECTIVE DATE:
March 1, 2011

ACCESS SERVICE

2. General Regulations (Cont'd)2.3 Obligations of the Customer (Cont'd)2.3.11 Jurisdictional Report Requirements (Cont'd)(B) Jurisdictional Reports (Cont'd)(10) Entrance Facility and Direct-Trunked Transport (Cont'd)

The Entrance Facility and Direct-Trunked Transport PIU Report must be provided to the Telephone Company upon ordering service, and thereafter, on a quarterly basis. Provisions for updating the interstate and intrastate jurisdictional report as specified in Section 2.3.11(B)(7) preceding will also apply for the Entrance Facility and Direct-Trunked Transport PIU Report.

The verification provisions specified in Section 2.3.11(C) following will also apply for the Entrance Facility and Direct-Trunked Transport PIU Report.

(C) Jurisdictional Report Verification

If the Telephone Company disputes the reasonableness of the PIU provided by the customer as set forth in (B) preceding, or the reported PIU varies by more than five percentage points over the preceding PIU, the Telephone Company may ask the customer to provide the data used by the customer to determine the projected interstate percentage. The customer shall retain, for a minimum of one year, accurate call detail records from which the percentage of interstate and intrastate use can be derived, and shall make such records available for inspection as reasonably necessary for PIU verification. Such records shall be made available for inspection and audit within 15 days of the Telephone Company's request for verification.

ISSUE DATE:
February 28, 2011

Issued Under Transmittal No. 1
Vice President-Regulatory Operations
100 CenturyLink Drive
Monroe, Louisiana 71203

EFFECTIVE DATE:
March 1, 2011

ACCESS SERVICE

2. General Regulations (Cont'd)2.3 Obligations of the Customer (Cont'd)2.3.11 Jurisdictional Report Requirements (Cont'd)(C) Jurisdictional Report Verification (Cont'd)

The Telephone Company shall limit audits to no more than one per year, except where additional audits may be required to verify allocation changes which represent a five percent shift from the customer's most recent reported figures, and such change is not the result of seasonal shifts or other identifiable reasons. The customer may request that verification audits be conducted by an independent auditor. In such cases the associated auditing expenses will be paid by the customer.

In the event that the customer fails to provide adequate records to enable the Telephone Company or an independent auditor to conduct an audit verifying the customer's PIU, the Telephone Company will bill the usage for all the contested periods using the PIU reported by the customer for the previous period. This PIU will remain in effect until the customer provides the call detail records from which the percentage of interstate and intrastate use can be derived. No prorating or back billing will be done based on the newly derived factor.

ISSUE DATE:
February 28, 2011

Issued Under Transmittal No. 1
Vice President-Regulatory Operations
100 CenturyLink Drive
Monroe, Louisiana 71203

EFFECTIVE DATE:
March 1, 2011

ACCESS SERVICE

2. General Regulations (Cont'd)2.3 Obligations of the Customer (Cont'd)2.3.12 Determination of Interstate Charges for Mixed Interstate and Intrastate Access Service, CCS/SS7 Interconnection Service and/or LIDB Access Service

When mixed interstate and intrastate Access Service, CCS/SS7 Interconnection Service and/or LIDB Access Service is provided, all charges (i.e., nonrecurring, monthly and/or usage) including optional features charges, will be prorated between interstate and intrastate, except for those charges associated with 900 Access Service. The percentage provided in the reports as set forth in 2.3.11 preceding will serve as the basis for prorating the charges. The percentage of an Access Service to be charged as interstate is applied in the following manner:

- (A) For monthly and nonrecurring chargeable rate elements (excluding 900 Access Service as set forth in 6.8.5) multiply the percent interstate use times the quantity of chargeable elements times the stated tariff rate per element.
- (B) For usage sensitive (i.e., access minutes, calls, and queries) chargeable rate elements, multiply the percent interstate use times actual use (i.e., measured or Telephone Company assumed average use) times the stated tariff rate.

The interstate percentage will change as revised usage reports are submitted as set forth in 2.3.11 preceding.

ISSUE DATE:
February 28, 2011

Issued Under Transmittal No. 1
Vice President-Regulatory Operations
100 CenturyLink Drive
Monroe, Louisiana 71203

EFFECTIVE DATE:
March 1, 2011

ACCESS SERVICE

2. General Regulations (Cont'd)2.3 Obligations of the Customer (Cont'd)2.3.13 Certification of Special Access Lines as Interstate(A) Interstate Classification Requirement

Pursuant to Federal Communications Commission Order FCC 89-224, adopted June 29, 1989 and released July 20, 1989, special access lines are to be classified as interstate when the lines carry more than a de minimis amount of interstate traffic. Interstate traffic is deemed de minimis when the interstate traffic amounts to ten percent (10%) or less of the total traffic on a special access line.

(B) Certification Requirement

When a customer orders a special access line, the customer shall certify, in its order, that the special access line carries interstate traffic and the interstate traffic is more than ten percent (10%) of the total traffic carried on the special access line.

The Telephone Company will provide written notification of the certification requirement to customers with existing special access lines. Existing customers must certify in writing, within 90 days of the effective date of this tariff, that the special access line carries greater than ten percent interstate traffic.

ISSUE DATE:
February 28, 2011

Issued Under Transmittal No. 1
Vice President-Regulatory Operations
100 CenturyLink Drive
Monroe, Louisiana 71203

EFFECTIVE DATE:
March 1, 2011

ACCESS SERVICE

2. General Regulations (Cont'd)2.3 Obligations of the Customer (Cont'd)2.3.13 Certification of Special Access Lines as Interstate (Cont'd)(C) Verification Information

If a billing dispute arises or a regulatory commission questions the interstate certification for the special access line, the Telephone Company will ask the customer to provide the general information on system design and functionality it uses to determine that the special access line's interstate traffic is more than ten percent (10%) of the total traffic carried on the special access line. If the customer has usage information which it uses to verify the interstate traffic, the customer shall supply such information when requested by the Telephone Company. The customer shall supply the data within 30 days of the Telephone Company request.

(D) Nonrecurring Charges and Penalties

Customers of Mixed Use Special Access Service will not incur a nonrecurring charge in accordance with Section 7.4.1 (C)(3) of this tariff, nor any penalty for changes made to jurisdictional use of the line.

ISSUE DATE:
February 28, 2011

Issued Under Transmittal No. 1
Vice President-Regulatory Operations
100 CenturyLink Drive
Monroe, Louisiana 71203

EFFECTIVE DATE:
March 1, 2011

ACCESS SERVICE

2. General Regulations (Cont'd)

2.3 Obligations of the Customer (Cont'd)

2.3.14 Identification and Rating of VoIP-PSTN Traffic

(A) Scope

VoIP-PSTN Traffic is defined as traffic exchanged between a Telephone Company end user and the customer in Time Division Multiplexing ("TDM") format that originates and/or terminates in Internet Protocol ("IP") format. This section governs the identification and compensation of VoIP-PSTN Traffic that is required to be compensated at access rates, unless the parties have agreed otherwise, by the Federal Communications Commission in its Report and Order in WC Docket Nos. 10-90, etc., FCC Release No. 11-161 (November 18, 2011)("FCC Order"). Specifically this section establishes the method of separating VoIP-PSTN Traffic from the customer's traditional intrastate access traffic, so that VoIP-PSTN Traffic can be billed in accordance with the FCC Order.

(C)
(C)

The FCC released its Second Order of Reconsideration in WC Docket No. 10-90, etc., FCC Release No. 12-47 (April 25, 2012) which temporarily modified the compensation of originating VoIP-PSTN Traffic on a prospective basis. Upon receipt, validation and acceptance of the Percent VoIP Usage factor, originating VoIP-PSTN Traffic will be compensated as follows:

(N)

- Between the Initial Implementation date described in 2.3.14.(D)(1), and July 12, 2012, the applicable rate elements used in providing originating access for VoIP-PSTN Traffic and associated facilities will be billed according to interstate access rates.
- Effective July 13, 2012 the applicable rate elements used in providing originating access for intrastate VoIP-PSTN Traffic and associated facilities will be billed according to intrastate access rates. The applicable rate elements used in providing originating access for interstate VoIP-PSTN Traffic and associated facilities will be billed according to interstate access rates.
- Effective July 1, 2014 the applicable rate elements used in providing originating access for intrastate VoIP-PSTN Traffic and associated facilities will be billed according to interstate access rates.
- After the Initial Implementation date described in 2.3.14.(D)(1), terminating VoIP-PSTN Traffic and associated facilities will be billed according to interstate access rates.

(N)

(M)

(M) Material moved to Original Page 2-41.1.1 of this section.

ISSUE DATE:
June 28, 2012

Issued Under Transmittal No. 22
Vice President-Regulatory Operations
100 CenturyLink Drive
Monroe, Louisiana 71203

EFFECTIVE DATE:
July 13, 2012

ACCESS SERVICE

2. General Regulations (Cont'd)2.3 Obligations of the Customer (Cont'd)2.3.14 Identification and Rating of VoIP-PSTN Traffic (Cont'd)

- | | | | |
|-----|---|------|-----|
| (B) | VoIP-PSTN Traffic and associated facilities identified in accordance with this tariff section will be billed at rates equal to the Telephone Company's applicable tariffed interstate switched access rate as specified in Section 6 following when applicable based on the schedule shown above. | (M) | (C) |
| | | (C) | (C) |
| (C) | <u>Calculation and Application of Percent VoIP Usage Factors</u> | | (T) |
| (1) | The Telephone Company will determine the number of VoIP-PSTN Traffic minutes of use ("MOU") to which interstate rates will be applied under (B) preceding, by applying an originating Percent VoIP Usage ("PVU") factor to the total intrastate access MOU originated by a Telephone Company end user and delivered to the customer and by applying a terminating PVU factor to the total intrastate access MOU terminated by a customer to the Telephone Company's end user. | (M) | (T) |
| (2) | The Telephone Company will use state average data and the customer provided Facility PVU to determine the monthly recurring credit for terminating VoIP-PSTN Traffic. | | (N) |
| | | | (N) |
| (3) | The customer will calculate and furnish to the Telephone Company an originating PVU factor representing the whole number percentage of the customer's total originating intrastate access MOU that the customer exchanges with the Telephone Company in the state that is received from the Telephone Company and that is terminated in IP format and that would be billed by the Telephone Company as intrastate access MOU. | (M1) | (T) |
| (4) | The customer will calculate and furnish to the Telephone Company a terminating PVU factor representing the whole number percentage of the customer's total terminating intrastate access MOU that the customer exchanges with the Telephone Company in the state that is sent to the Telephone Company and which originated in IP format and that would be billed by the Telephone Company as intrastate access MOU. | (M1) | (T) |

(M) Material moved from Original Page 2-41.1 of this section.

(M1) Material moved from Original Page 2-41.2 of this section.

ISSUE DATE:
June 28, 2012

Issued Under Transmittal No. 22
Vice President-Regulatory Operations
100 CenturyLink Drive
Monroe, Louisiana 71203

EFFECTIVE DATE:
July 13, 2012

ACCESS SERVICE

2. General Regulations (Cont'd)2.3 Obligations of the Customer (Cont'd)2.3.14 Identification and Rating of VoIP-PSTN Traffic (Cont'd)

- | | | |
|-----|--|-----------------|
| (C) | <u>Calculation and Application of Percent VoIP Usage Factors</u> (Cont'd) | (T) |
| | | (M) |
| (5) | The customer will calculate and furnish to the Telephone Company a Facility PVU factor representing the whole number percentage of the customer's total monthly recurring switched transport charges that are associated with the intrastate access MOU included in the PVU factor. | (N)

(N) |
| (6) | The customer shall not modify their reported PIU factor to account for VoIP-PSTN traffic. | (T) |
| (7) | The customer provided originating PVU, the terminating PVU and the Facility PVU shall be based on information such as the number of the customer's retail VoIP subscriptions in the state (e.g. as reported on FCC Form 477), traffic studies, actual call detail or other relevant and verifiable information which will be provided to Telephone Company upon request. | (T) (C)
(C) |
| (8) | The customer shall retain the call detail, work papers and information used to develop the PVU factors for a minimum of one year. | (T) |
| (9) | If the customer does not furnish the Telephone Company with a PVU factor, the Telephone Company will utilize a PVU equal to zero. | (T) |

(M) Material moved to Original Page 2-41.1.1 of this section.

ISSUE DATE:
June 28, 2012

Issued Under Transmittal No. 22
Vice President-Regulatory Operations
100 CenturyLink Drive
Monroe, Louisiana 71203

EFFECTIVE DATE:
July 13, 2012

ACCESS SERVICE

2. General Regulations (Cont'd)

(N)

2.3 Obligations of the Customer (Cont'd)2.3.14 Identification and Rating of VoIP-PSTN Traffic (Cont'd)(D) Initial Implementation of PVU Factors

- (1) If the PVU factors cannot be implemented in the Telephone Company's billing systems by December 29, 2011, once the factors can be implemented, the Telephone Company will adjust the customer's bills to reflect the PVU factors prospectively in the next bill period, if the PVU factors are provided by the customer to the Telephone Company prior to April 15, 2012.
- (2) The Telephone Company may choose to provide credits based on the reported PVU factors on a quarterly basis until such time as the billing system modifications can be implemented.

(E) PVU Factor Updates

The customer may update the PVU factors quarterly using the method set forth in (C)(1) and (2) preceding. If the customer chooses to submit such updates, it shall forward to the Telephone Company, no later than 15 days after the first of January, April, July and/or October of each year, revised PVU factors based on data for the prior three months, ending the last day of December, March, June and September, respectively. The revised PVU factors will serve as the basis for future billing and will be effective on the next bill date, and shall serve as the basis for subsequent monthly billing until superseded by new PVU factors. No prorating or backbilling will be done based on the updated PVU factors.

(F) PVU Factor Verification

- (1) Not more than twice in any year, the Telephone Company may request from the customer an overview of the process used to determine the PVU factors, the call detail records, description of the method for determining how the end user originates or terminates calls in IP format, and other information used to determine the customer's PVU factors furnished to the Telephone Company in order to validate the PVU factors supplied. The customer shall comply, and shall reasonably supply the requested data and information within 15 days of the Telephone Company's request.

(N)

ISSUE DATE:
December 14, 2011

Issued Under Transmittal No. 12
Vice President-Regulatory Operations
100 CenturyLink Drive
Monroe, Louisiana 71203

EFFECTIVE DATE:
December 29, 2011

ACCESS SERVICE

2. General Regulations (Cont'd)2.3 Obligations of the Customer (Cont'd)2.3.14 Identification and Rating of VoIP-PSTN Traffic (Cont'd)(F) PVU Factor Verification (Cont'd)

- (2) The Telephone Company may dispute the customer's PVU factor based upon:
- (a) A review of the requested data and information provided by the customer, or customer's refusal to provide the data and information to support the PVU factors. (C)
(C)
 - (b) The Telephone Company's reasonable review of other market information, FCC reports on VoIP lines, such as FCC Form 477 or state level results based on FCC Local Competition Report or other relevant data.
 - (c) A change in the reported PVU factor by more than five percentage points from the preceding quarter.
- (3) If after review of the data and information, the customer and the Telephone Company establish revised PVU factors, the customer and the Telephone Company will begin using those revised PVU factors with the next bill period. (T)
- (4) If the dispute is unresolved, the Telephone Company may initiate an audit. The Telephone Company shall limit audits of the customer's PVU factor to no more than twice per year. The customer may request that the audit be conducted by an independent auditor. In such cases, the associated auditing expenses will be paid by the customer.
- (a) In the event that the customer fails to provide adequate records to enable the Telephone Company or an independent auditor to conduct an audit verifying the customer's PVU factors, the Telephone Company will bill the usage and associated facilities for all contested periods using the most recent undisputed PVU factors reported by the customer. If no undisputed PVU factors exist, then PVU factors of zero percent will be used for all contested periods. These PVU factors will remain in effect until the audit can be completed. (C)
(C)
(C)

ISSUE DATE:
June 28, 2012Issued Under Transmittal No. 22
Vice President-Regulatory Operations
100 CenturyLink Drive
Monroe, Louisiana 71203EFFECTIVE DATE:
July 13, 2012

ACCESS SERVICE

2. General Regulations (Cont'd)

(N)

2.3 Obligations of the Customer (Cont'd)

2.3.14 Identification and Rating of VoIP-PSTN Traffic (Cont'd)

(F) PVU Factor Verification (Cont'd)

(4) (Cont'd)

- (b) During the audit, the undisputed PVU factors from the previous reporting period will be used by the Telephone Company.
- (c) The Telephone Company will adjust the customer's PVU factors based on the results of the audit and implement the revised PVU in the next billing period or quarterly report date, whichever is first. The revised PVU factors will apply for the next two quarters before new factors can be submitted by the customer.
- (d) If the audit supports the customer's PVU factors, the usage for the contested periods will be adjusted to reflect the customer's audited PVU factors.

(N)

ISSUE DATE:
December 14, 2011

Issued Under Transmittal No. 12
Vice President-Regulatory Operations
100 CenturyLink Drive
Monroe, Louisiana 71203

EFFECTIVE DATE:
December 29, 2011

ACCESS SERVICE

2. General Regulations (Cont'd)2.4 Payment Arrangements and Credit Allowances2.4.1 Payment of Rates, Charges and Deposits

- (A) The Telephone Company will, in order to safeguard its interests, only require a customer which has a proven history of late payments to the Telephone Company or does not have established credit, to make a deposit as a guarantee of the payment of rates and charges. Such deposit may be required prior to establishing a service or at any time after the provision of a service to the customer. For purposes of this section, a proven history of late payments is defined as two (2) or more occasions within the preceding twelve (12) months in which payment for undisputed charges was not received within three (3) business days following the payment due date, provided the outstanding undisputed amount of each such individual unpaid bill represented at least ten (10) percent of the total charges on that individual bill. The Telephone Company will provide notice via overnight delivery to the person designated by the customer to receive such notice of the requirement to pay a deposit. The customer will be required to make payment of such deposit prior to the provision of service in those cases where the customer has not established credit with the Telephone Company, or otherwise within fifteen (15) business days of such notice. Such notice period will start the day after the notice is sent by overnight delivery.

ISSUE DATE:
February 28, 2011

Issued Under Transmittal No. 1
Vice President-Regulatory Operations
100 CenturyLink Drive
Monroe, Louisiana 71203

EFFECTIVE DATE:
March 1, 2011

ACCESS SERVICE

2. General Regulations (Cont'd)2.4 Payment Arrangements and Credit Allowances2.4.1 Payment of Rates, Charges and Deposits

(A) (Cont'd)

For new service(s) being established, such deposit will not exceed the estimated rates and charges for a two month period. For existing service(s), such deposit will not exceed the actual rates and charges for a two month period associated with each individual bill that met the criteria for late payments specified preceding. The fact that a deposit has been made in no way relieves the customer from complying with the Telephone Company's regulations as to prompt payment of bills. At such time as the provision of the service to the customer is terminated, the amount of the deposit will be credited to the customer's account and any credit balance which may remain will be refunded.

Such a deposit may be refunded or credited to the account when the customer has established credit or, in any event, after the customer has established a one-year prompt payment record at any time prior to the termination of the provision of the service to the customer. In case of a cash deposit, for the period the deposit is held by the Telephone Company, the customer will receive interest at the same percentage rate as that set forth in (B)(3)(b)(I) or in (B)(3)(b)(II), whichever is lower. The rate will be compounded daily for the number of days from the date the customer deposit is received by the Telephone Company to and including the date such deposit is credited to the customer's account or the date the deposit is refunded by the Telephone Company. Should a deposit be credited to the customer's account, as indicated above, no interest will accrue on the deposit from the date such deposit is credited to the customer's account.

No such deposit will be required of a customer which is a successor of a company which has established credit and has no history of late payments to the Telephone Company.

ISSUE DATE:
February 28, 2011

Issued Under Transmittal No. 1
Vice President-Regulatory Operations
100 CenturyLink Drive
Monroe, Louisiana 71203

EFFECTIVE DATE:
March 1, 2011

ACCESS SERVICE

2. General Regulations (Cont'd)2.4 Payment Arrangements and Credit Allowances (Cont'd)2.4.1 Payment of Rates, Charges and Deposits (Cont'd)

- (B) The Company shall bill on a current basis all charges incurred by and credits due to the customer under this tariff attributable to services, including, but not limited to, Maintenance of Service as set forth in 13.1.9 following, established or discontinued during the preceding billing period. In addition, the Company shall bill in advance charges for all services to be provided during the ensuing billing period (e.g., Special Access Non Competitive End User Channel Termination (EUCT) and Switched Access Entrance Facility, Direct-Trunked Transport and Multiplexing) except for charges associated with service usage (e.g., Tandem-Switched Transport and Local Switching) and for the Federal Government which will be billed in arrears. The bill day (i.e., the billing date of a bill for a customer for Access Service under this tariff), the period of service each bill covers and the payment date will be as follows: (C)
- (1) For End User Access Service and Presubscription, the Company will establish a bill day each month for each end user account. The bill will cover End User Access Service and Presubscription charges for the ensuing billing period, except for the Federal Government which will be billed in arrears. Any applicable charges, any known unbilled charges for prior periods and any known unbilled adjustment for prior periods for End User Access Service and Presubscription Services will be applied to this bill. Such bills are due when rendered. (C)

ISSUE DATE:
October 17, 2017Issued Under Transmittal No. 96
Vice President-Regulatory Operations
100 CenturyLink Drive
Monroe, Louisiana 71203EFFECTIVE DATE:
November 1, 2017

ACCESS SERVICE

2. General Regulations (Cont'd)2.4 Payment Arrangements and Credit Allowances (Cont'd)2.4.1 Payment of Rates, Charges and Deposits (Cont'd)

(B) (Cont'd)

(2) For service other than End User Access Service and Presubscription Services, the Telephone Company will establish a bill day each month for each customer account. The bill will cover charges for the billing period for which the bill is rendered, plus any known unbilled charges and adjustments for prior periods. The billing period for usage shall be the last bill day through one day before the current bill day. Payment for such bills is due as set forth in (3) following. If payment is not received by the payment date, as set forth in (3) following in immediately available funds, a late payment penalty will apply as set forth in (3) following.

(3) (a) All bills dated as set forth in (2) preceding for service, other than End User Access Service and Presubscription Services, provided to the customer by the Telephone Company are due 31 days (payment date) after the bill date, or by the next bill date (i.e., the same date in the following month as the bill date), whichever is the shortest interval, except as provided herein, and are payable in immediately available funds. In the event that the Telephone Company renders the bill more than ten (10) days after the normal billing date, the Telephone Company will extend the payment date by one day for each day in excess of ten (10) until the bill is rendered. The date the bill is rendered will be considered to be the date the bill is post marked. If such payment date would cause payment to be due on a Saturday, Sunday or Holiday (i.e., New Year's Day, Independence Day, Labor Day, Thanksgiving

(T)

(T)

(T)

ISSUE DATE:
September 16, 2015

Issued Under Transmittal No. 75
Vice President-Regulatory Operations
100 CenturyLink Drive
Monroe, Louisiana 71203

EFFECTIVE DATE:
October 1, 2015

ACCESS SERVICE

2. General Regulations (Cont'd)

2.4 Payment Arrangements and Credit Allowances (Cont'd)

2.4.1 Payment of Rates, Charges and Deposits (Cont'd)

(B) (Cont'd)

(3) (a) (Cont'd)

Day, Christmas Day, and a day when Martin Luther King Jr. Day, Washington's Birthday, Memorial Day, Columbus Day, and Veteran's Day is legally observed), payment for such bills will be due from the customer as follows:

If such payment date falls on a Sunday or on a Holiday which is observed on a Monday, the payment date shall be the first non-Holiday day following such Sunday or Holiday. If such payment date falls on a Saturday or on a Holiday which is observed on Tuesday, Wednesday, Thursday or Friday, the payment date shall be the last non-Holiday day preceding such Saturday or Holiday.

(b) Further, if any portion of the payment is received by the Telephone Company after the payment date as set forth in (a) preceding, or if any portion of the payment is received by the Telephone Company in funds which are not immediately available to the Telephone Company, then a late payment interest charge shall be due to the Telephone Company. The late payment interest shall be the portion of the payment not received by the payment date times an interest factor. The interest factor shall be the lesser of:

ISSUE DATE:
February 28, 2011

Issued Under Transmittal No. 1
Vice President-Regulatory Operations
100 CenturyLink Drive
Monroe, Louisiana 71203

EFFECTIVE DATE:
March 1, 2011

ACCESS SERVICE

2. General Regulations (Cont'd)

2.4 Payment Arrangements and Credit Allowances (Cont'd)

2.4.1 Payment of Rates, Charges and Deposits (Cont'd)

(B) (Cont'd)

(3) (Cont'd)

(b) (Cont'd)

(I) the highest interest rate (in decimal value) which may be levied by law for commercial transactions, compounded daily for the number of days from the payment date to and including the date that the customer actually makes the payment to the Telephone Company, or

(II) 0.000407 per day, compounded daily for the number of days from the payment date to and including the date that the customer actually makes the payment to the Telephone Company. (I)

(c) A good faith dispute requires the customer to provide a written claim to the Telephone Company. Instructions for submitting a dispute can be obtained by calling the billing inquiry number shown on the customer's bill or, when available, by accessing such information on the Telephone Company's website also shown on the customer's bill. Such claim must identify in detail the basis for the dispute, and if the customer withholds the disputed amounts, it must identify the account number under which the bill has been rendered, the date of the bill, and the specific items on the bill being disputed, to permit the Telephone Company to investigate the merits of the dispute.

ISSUE DATE:
March 17, 2016

Issued Under Transmittal No. 80
Vice President-Regulatory Operations
100 CenturyLink Drive
Monroe, Louisiana 71203

EFFECTIVE DATE:
April 1, 2016

ACCESS SERVICE

2. General Regulations (Cont'd)2.4 Payment Arrangements and Credit Allowances (Cont'd)2.4.1 Payment of Rates, Charges and Deposits (Cont'd)

(B) (Cont'd)

(3) (c) (Cont'd)

The date of the dispute shall be the date on which the customer furnishes the Telephone Company the account information required in (3)(c) preceding.

The date of resolution is the date the Telephone Company completes its investigation, provides written notice to the customer regarding the disposition of the claim (i.e., resolved in favor of the customer or resolved in favor of the Telephone Company), and credits the customer's account, if applicable.

- (d) The Telephone Company shall respond no later than 15 working days, or other mutually agreed period, from the date of receipt of the notice of dispute. Such response shall state agreement or disagreement with the customer's position and, if disagreement, shall state clearly the reasons for such disagreement.
- (e) In the event that a billing dispute concerning any charges billed to the customer by the Telephone Company is resolved in favor of the Telephone Company, any payments withheld pending settlement of the dispute shall be subject to the late payment interest charge set forth in (b) preceding. If the customer disputes the bill on or before the payment date, and pays the undisputed amount on or before the payment date, the late payment interest charge for the disputed amount will not start until 10 working days after the payment date. If the billing dispute is resolved in favor of the customer, no late payment interest charge will apply to the disputed amount. In addition, if a customer who has paid the total billed amount disputes the billed amount and the billing dispute is resolved in favor of the

ISSUE DATE:
February 28, 2011

Issued Under Transmittal No. 1
Vice President-Regulatory Operations
100 CenturyLink Drive
Monroe, Louisiana 71203

EFFECTIVE DATE:
March 1, 2011

ACCESS SERVICE

2. General Regulations (Cont'd)

2.4 Payment Arrangements and Credit Allowances (Cont'd)

2.4.1 Payment of Rates, Charges and Deposits (Cont'd)

(B) (Cont'd)

(3) (e) (Cont'd)

customer, the customer shall be entitled to the principal amount of such overpayment plus an interest amount, calculated from the date the customer pays the bill to the date the money is refunded, for disputes found in favor of the customer which are filed within six months of the payment date. For disputes filed after six months from the payment date, interest will be paid from the claim date to the date the money is refunded to the customer. The disputed amount late payment interest charge shall be the disputed amount resolved in the customer's favor times an interest factor. The interest factor shall be the lesser of:

(I) the highest interest rate (in decimal value) which may be levied by law for commercial transactions, compounded daily for the number of days from the first date to and including the last date of the period involved, or

(II) 0.000407 per day, compounded daily for the number of days from the first date to and including the last date of the period involved.

(I)

ISSUE DATE:
March 17, 2016

Issued Under Transmittal No. 80
Vice President-Regulatory Operations
100 CenturyLink Drive
Monroe, Louisiana 71203

EFFECTIVE DATE:
April 1, 2016

ACCESS SERVICE

2. General Regulations (Cont'd)

2.4 Payment Arrangements and Credit Allowances (Cont'd)

2.4.1 Payment of Rates, Charges and Deposits (Cont'd)

- (C) Adjustments for the quantities of services established or discontinued in any billing period beyond the minimum period set forth for services in other sections of this tariff will be prorated to the number of days or major fraction of days based on a 30 day month except for the PICC. The PICC is assessed for the full 30 day period.
- (D) The Telephone Company will furnish sufficient supporting detail (e.g., type of charge, service type, invoice number, account number, adjustments, and payments) with bills rendered for access services to enable the customer to verify the accuracy of such bills.

ISSUE DATE:
February 28, 2011

Issued Under Transmittal No. 1
Vice President-Regulatory Operations
100 CenturyLink Drive
Monroe, Louisiana 71203

EFFECTIVE DATE:
March 1, 2011

ACCESS SERVICE

2. General Regulations (Cont'd)

2.4 Payment Arrangements and Credit Allowances (Cont'd)

2.4.1 Payment of Rates, Charges and Deposits (Cont'd)

- (E) When a rate as set forth in this tariff is shown to more than two decimal places, the charges will be determined using the rate shown. The resulting amount will then be rounded to the nearest penny (i.e., rounded to two decimal places).
- (F) When more than one copy of a customer bill for services provided under the provisions of this tariff is furnished to the customer, an additional charge applies for each additional copy of the bill as set forth in 13.3.4 following.

2.4.2 Minimum Period

The minimum period for which services are provided and for which rates and charges are applicable is one month except for those services set forth in 5.2.6(B) and(C), 6.7.2, 7.4.3, 9.4(A) and 13.1.10 following. (C)

The minimum period for which service is provided and for which rates and charges are applicable for a Specialized Service or Arrangement provided on an individual case basis, as set forth in 12. following, is one month unless a different minimum period is established with the individual case filing.

When a service is discontinued prior to the expiration of the minimum period, charges are applicable, whether the service is used or not, as follows:

ISSUE DATE:
October 17, 2017

Issued Under Transmittal No. 96
Vice President-Regulatory Operations
100 CenturyLink Drive
Monroe, Louisiana 71203

EFFECTIVE DATE:
November 1, 2017

ACCESS SERVICE

2. General Regulations (Cont'd)

2.4 Payment Arrangements and Credit Allowances (Cont'd)

2.4.2 Minimum Period (Cont'd)

(A) When a service with a one month minimum period is discontinued prior to the expiration of the minimum period, a one month charge will apply at the rate level in effect at the time service is discontinued.

(B) When a service with a minimum period greater than one month is discontinued prior to the expiration of the minimum period, the applicable charge will be the lesser of (1) the Company's total nonrecoverable costs less the net salvage value for the discontinued service or (2) the total monthly charges, at the rate level in effect at the time service is discontinued, for the remainder of the minimum period.

(C)

2.4.3 Cancellation of an Order for Service

Provisions for the cancellation of an Access Order for Switched Access or Special Access Non-Competitive End User Channel Terminations (EUCTs) are set forth in 5.2.4 following.

(C)

(C)

ACCESS SERVICE

2. General Regulations (Cont'd)2.4 Payment Arrangements and Credit Allowances (Cont'd)2.4.4 Credit Allowance for Service Interruptions(A) General

A service is interrupted when it becomes unusable to the customer because of a failure of a facility component used to furnish service under this tariff or in the event that the protective controls applied by the Company result in the complete loss of service by the customer as set forth in 6.5.1 following. For Special Access Digital Data Access and High Capacity Non-Competitive End User Channel Terminations (EUCTs), any period during which the error performance is below that specified for the service will be considered as an interruption. Except as otherwise provided, an interruption period starts when an inoperative service is reported to the Company, and ends when the service is operative. (C)

For purposes of administering the following regulations a "major fraction" means more than half of the incremental credit period using the unit of time in which the service interruption is measured, i.e., 30 seconds, 5 minutes. For example, a major fraction for a 30 minute period equals 16 minutes and for a 5 minute period equals 2 minutes and 31 seconds.

(B) When A Credit Allowance Applies

In case of an interruption to any service, allowance for the period of interruption, if not due to the negligence of the customer, shall be as follows:

ISSUE DATE:
October 17, 2017

Issued Under Transmittal No. 96
Vice President-Regulatory Operations
100 CenturyLink Drive
Monroe, Louisiana 71203

EFFECTIVE DATE:
November 1, 2017

ACCESS SERVICE

2. General Regulations (Cont'd)

2.4 Payment Arrangements and Credit Allowances (Cont'd)

2.4.4 Credit Allowance for Service Interruptions (Cont'd)

(B) When A Credit Allowance Applies (Cont'd)

- (1) For the following services, no credit shall be allowed for an interruption of less than thirty (30) minutes.

Switched Access Voice Grade Entrance Facility
 Switched Access Voice Grade Direct-Trunked Transport
 Special Access Voice Grade Non-Competitive End User
 Channel Termination (EUCT)
 Special Access Digital Data Non-Competitive EUCT
 Special Access Fractional DS1 Non-Competitive EUCT
 Special Access Monthly Program Audio Non-Competitive
 EUCT
 Special Access Monthly Video Non-Competitive EUCT
 Special Access 270 Mbps Digital Video Transport Non-
 Competitive EUCT

(C)
 |
 (C)
 (D)

The customer shall be credited for an interruption of thirty (30) minutes or more at the rate of 1/1,440 of the monthly charge for the service for each period of thirty (30) minutes or major fraction thereof that the interruption continued from the time that an interruption period starts.

The monthly charges used to determine the credit shall be as follows:

- (a) For two-point services, the monthly charge shall be the total of all the monthly rate element charges associated with the service (i.e., Non-Competitive EUCTs, optional features and functions, and, when applicable, surcharge for Special Access Service).

(C)
 (C)

ISSUE DATE:
 October 17, 2017

Issued Under Transmittal No. 96
 Vice President-Regulatory Operations
 100 CenturyLink Drive
 Monroe, Louisiana 71203

EFFECTIVE DATE:
 November 1, 2017

ACCESS SERVICE

2. General Regulations (Cont'd)2.4 Payment Arrangements and Credit Allowances (Cont'd)2.4.4 Credit Allowance for Service Interruptions (Cont'd)(B) When A Credit Allowance Applies (Cont'd)

(1) (Cont'd)

- (b) For multipoint services, the monthly charge shall be the total of all the monthly rate element charges associated with that portion of the service that is inoperative between the Hub and a customer premises (i.e., Non-Competitive End User Channel Terminations (EUCTs), optional features and functions, and, when applicable, surcharge for Special Access Service). (C)
- (c) For multiplexed services, the monthly charge shall be the total of all the monthly rate element charges associated with that portion of the service that is inoperative. When the facility which is multiplexed or the multiplexer itself is inoperative, the monthly charge shall be the total of all the monthly rate element charges associated with the service (i.e., Non-Competitive EUCTs, optional features and functions, and, when applicable, surcharge for Special Access Service). When the service which rides a channel of the multiplexed facility is inoperative, the monthly charge shall be the total of all the monthly rate element charges associated with that portion of the service from the Hub to a customer premises (i.e., Non-Competitive EUCTs, optional features and functions, and, when applicable, surcharge for Special Access Service). (C)

ISSUE DATE:
October 17, 2017

Issued Under Transmittal No. 96
Vice President-Regulatory Operations
100 CenturyLink Drive
Monroe, Louisiana 71203

EFFECTIVE DATE:
November 1, 2017

ACCESS SERVICE

2. General Regulations (Cont'd)

2.4 Payment Arrangements and Credit Allowances (Cont'd)

2.4.4 Credit Allowance for Service Interruptions (Cont'd)

(B) When A Credit Allowance Applies (Cont'd)

(1) (Cont'd)

(d) For Program Audio and Video multipoint services, the credit for the monthly charges includes the charges for the distribution amplifier only when the distribution amplifier is inoperative.

(2) For Program Audio and Video Non-Competitive End User Channel Terminations (EUCTs) provided on a daily basis, no credit shall be allowed for an interruption of less than 30 seconds. The customer shall be credited for an interruption of 30 seconds or more as follows: (C)
(C)

(a) For two-point services, when daily rates are applicable, the credit shall be at the rate of 1/288 of the daily charges for the service for each period of 5 minutes or major fraction thereof that the interruption continues. (C)

ISSUE DATE:
October 17, 2017

Issued Under Transmittal No. 96
Vice President-Regulatory Operations
100 CenturyLink Drive
Monroe, Louisiana 71203

EFFECTIVE DATE:
November 1, 2017

ACCESS SERVICE

2. General Regulations (Cont'd)

2.4 Payment Arrangements and Credit Allowances (Cont'd)

2.4.4 Credit Allowance for Service Interruptions (Cont'd)

(B) When A Credit Allowance Applies (Cont'd)

(2) (Cont'd)

- (b) For multipoint services, when daily rates are applicable, the credit shall be at the daily rate of 1/288 of the daily charges for all Non-Competitive End User Channel Terminations (EUCTs) and optional features and functions that are inoperative for each period of 5 minutes or major fraction thereof that the interruption continues. (C)
(C)
- (c) For multipoint services, the credit for the daily charges includes the charges for the distribution amplifier only when the distribution amplifier is inoperative.
- (d) When two or more interruptions occur during a period of 5 consecutive minutes, such multiple interruptions shall be considered as one interruption.

ISSUE DATE:
October 17, 2017

Issued Under Transmittal No. 96
Vice President-Regulatory Operations
100 CenturyLink Drive
Monroe, Louisiana 71203

EFFECTIVE DATE:
November 1, 2017

ACCESS SERVICE

2. General Regulations (Cont'd)2.4 Payment Arrangements and Credit Allowances (Cont'd)2.4.4 Credit Allowance for Service Interruptions (Cont'd)(B) When A Credit Allowance Applies (Cont'd)

- (3) For Switched Access Service (excluding Entrance Facilities and Direct-Trunked Transport) and Directory Assistance Service, credit allowances for interruptions apply only to the applicable monthly rates or the assumed minutes of use charge, whichever is applicable to the service involved. No credit allowance shall be allowed for an interruption of less than 24 hours. The customer shall be credited for an interruption of 24 hours or more at the rate of 1/30 of any applicable monthly rate or assumed minutes of use charge for each period of 24 hours or major fraction thereof that the interruption continues.
- (4) The credit allowance(s) for an interruption or for a series of interruptions shall not exceed any applicable monthly rate or assumed minutes of use charge for the service interrupted in any one monthly billing period.
- (5) Service interruptions for Specialized Service or Arrangements provided under the provisions of Section 12. following shall be administered in the same manner as those set forth in this section unless other regulations are specified with the individual case filing.

ISSUE DATE:
February 28, 2011

Issued Under Transmittal No. 1
Vice President-Regulatory Operations
100 CenturyLink Drive
Monroe, Louisiana 71203

EFFECTIVE DATE:
March 1, 2011

ACCESS SERVICE

2. General Regulations (Cont'd)

2.4 Payment Arrangements and Credit Allowances (Cont'd)

2.4.4 Credit Allowance for Service Interruptions (Cont'd)

(B) When A Credit Allowance Applies (Cont'd)

(6) Service Performance Maintenance Guarantee

The credit for a service interruption, which applies to the following services, is set forth in the charts below based on the duration of the outage.

- Switched Access DS1 Entrance Facility
- Switched Access DS1 Direct-Trunked Transport
- Switched Access DS3 Entrance Facility
- Switched Access DS3 Direct-Trunked Transport
- Special Access DS1 High Capacity Non-Competitive End User Channel Terminations (EUCTs)
- Special Access DS3 High Capacity Non-Competitive EUCTs

(C)

(C)

(D)

(D)

ISSUE DATE:
October 17, 2017

Issued Under Transmittal No. 96
Vice President-Regulatory Operations
100 CenturyLink Drive
Monroe, Louisiana 71203

EFFECTIVE DATE:
November 1, 2017

ACCESS SERVICE

2. General Regulations (Cont'd)

2.4 Payment Arrangements and Credit Allowances (Cont'd)

2.4.4 Credit Allowance for Service Interruptions (Cont'd)

(B) When A Credit Allowance Applies (Cont'd)

(6) Service Performance Maintenance Guarantee (Cont'd)

Duration of Service Outage	Service Maintenance Credit Percentage**
180-239 minutes	10%
240-479 minutes	25%
480 minutes or greater	50%

The credit shall be applied to each rate element associated with the interrupted facility (e.g., Non-Competitive End User Channel Termination (EUCT) and optional features and functions;) and shall be credited at the rate, less any discount, in effect on the day the outage is reported by the customer. The credits shall not exceed the monthly rate, less any discount, for the facility interrupted in any one monthly billing period.

(C)

(C)

(D)

** See applicable services on Page 2-59 preceding.

ACCESS SERVICE

2. General Regulations (Cont'd)

2.4 Payment Arrangements and Credit Allowances (Cont'd)

2.4.4 Credit Allowance for Service Interruptions (Cont'd)

(B) When A Credit Allowance Applies (Cont'd)

(1)

(D)

(D)

(C) When a Credit Allowance Does Not Apply

No credit allowance will be made for:

- (1) Interruptions caused by the negligence of the customer.
- (2) Interruptions of a service due to the failure of equipment or systems provided by the customer or others.
- (3) Interruptions of a service during any period in which the Telephone Company is not afforded access to the premises where the service is terminated.

(1) The CenturyLink services previously identified on this page are no longer offered under tariff. Effective March 13, 2015, the Commission granted forbearance from dominant carrier regulation of these services.

http://transition.fcc.gov/Daily_Releases/Daily_Business/2015/db0316/DOC-332526A1.pdf

The rates, terms and conditions associated with these services are now available at <http://www.centurylink.com/Pages/AboutUs/Legal/Tariffs/displayTariffLandingPage.html>

ACCESS SERVICE

2. General Regulations (Cont'd)2.4 Payment Arrangements and Credit Allowances (Cont'd)2.4.4 Credit Allowance for Service Interruptions (Cont'd)(C) When a Credit Allowance Does Not Apply (Cont'd)

- (4) Interruptions of a service when the customer has released that service to the Telephone Company for maintenance purposes, to make rearrangements, or for the implementation of an order for a change in the service during the time that was negotiated with the customer prior to the release of the service. Thereafter, a credit allowance as set forth in (B) preceding applies.
- (5) Interruptions of a service which continue because of the failure of the customer to authorize replacement of any element of special construction, as set forth in Section 14, Special Construction, of this tariff. The period for which no credit allowance is made begins on the seventh day after the customer receives the Telephone Company's written notification of the need for such replacement and ends on the day after receipt by the Telephone Company of the customer's written authorization for such replacement.
- (6) Periods when the customer elects not to release the service for testing and/or repair and continues to use it on an impaired basis.
- (7) Periods of temporary discontinuance as set forth in 2.2.1(B) preceding.
- (8) Periods of interruption as set forth in 13.1.9 following.
- (9) An interruption or a group of interruptions, resulting from a common cause, for amounts less than one dollar.
- (10) During a declared national emergency, where priority installation of National Security Emergency Preparedness (NSEP) telecommunications services shall take precedence.

ISSUE DATE:
February 28, 2011

Issued Under Transmittal No. 1
Vice President-Regulatory Operations
100 CenturyLink Drive
Monroe, Louisiana 71203

EFFECTIVE DATE:
March 1, 2011

ACCESS SERVICE

2. General Regulations (Cont'd)2.4 Payment Arrangements and Credit Allowances (Cont'd)2.4.4 Credit Allowance for Service Interruptions (Cont'd)(C) When a Credit Allowance Does Not Apply (Cont'd)

No credit allowance will be made for:

- (11) During natural disasters, work stoppages, civil disturbances, criminal actions; or by fire, flooding or other occurrences attributed to an Act of God, or other causes beyond the Telephone Company's reasonable control.
- (12) If a planned or scheduled outage for maintenance, upgrades and enhancements take place.
- (13) Reserved for Future Use
- (14) Interruptions of a service due to the failure of facilities or equipment provided by connecting carriers.

(D) Use of an Alternative Service Provided by the Telephone Company

Should the customer elect to use an alternative service provided by the Telephone Company during the period that a service is interrupted, the customer must pay the tariffed rates and charges for the alternative service used.

- (E) In certain instances, the Customer may be requested to surrender a service for purposes other than maintenance, testing or activity relating to a service order. If the Customer consents, a credit allowance will be granted. The credit allowance will be determined in the same manner as a credit for service interruptions as set forth in Section 2.4.4(B). In no case will the credit allowance exceed the monthly rate for the service surrendered in any one monthly billing period.

ISSUE DATE:
February 28, 2011

Issued Under Transmittal No. 1
Vice President-Regulatory Operations
100 CenturyLink Drive
Monroe, Louisiana 71203

EFFECTIVE DATE:
March 1, 2011

ACCESS SERVICE

2. General Regulations (Cont'd)2.4 Payment Arrangements and Credit Allowances (Cont'd)2.4.5 Customer Bill Verification

Upon reasonable notice, the customer, or its duly authorized representatives, shall have the right of access to mutually agreed upon Telephone Company information and records as may be necessary to verify the accuracy of access bills rendered to the customer in connection with Access Services provided under this tariff.

2.4.6 Reestablishment of Service Following Fire, Flood or Other Occurrence(A) Nonrecurring Charges Do Not Apply

Charges do not apply for the reestablishment of service following a fire, flood or other occurrence attributed to an Act of God provided that:

- (1) The service is of the same type as was provided prior to the fire, flood and other occurrence.
- (2) The service is for the same customer.
- (3) The service is at the same location on the same premises.
- (4) The reestablishment of service begins within 60 days after Telephone Company service is available. (The 60 day period may be extended a reasonable period if the renovation of the original location on the premises affected is not practical within the allotted time period.)

ISSUE DATE:
February 28, 2011

Issued Under Transmittal No. 1
Vice President-Regulatory Operations
100 CenturyLink Drive
Monroe, Louisiana 71203

EFFECTIVE DATE:
March 1, 2011

ACCESS SERVICE

2. General Regulations (Cont'd)2.4 Payment Arrangements and Credit Allowances (Cont'd)2.4.6 Reestablishment of Service Following Fire, Flood or Other Occurrence
(Cont'd)(B) Nonrecurring Charges Apply

Nonrecurring Charges apply for establishing service at a different location on the same premises or at a different premises pending reestablishment of service at the original location.

2.4.7 Title or Ownership Rights

The payment of rates and charges by customers for the services offered under the provisions of this tariff does not assign, confer or transfer title or ownership rights to proposals or facilities developed or utilized, respectively, by the Company in the provision of such services.

(C)

2.4.8 Ordering, Rating and Billing of Access Services Where More Than One Exchange Telephone Company or Rate Schedule is Involved

For Special Access Services, only Non-Competitive End User Channel Terminations (EUCTs) are filed as part of this tariff. Additional Special Access Services to complete the circuit are outside this tariff and can be accessed at the Company's website or Company's other designated location.

(N)

(N)

When ordering, rating and billing of Access Services under this tariff involves more than one Exchange Telephone Company or rate schedule, the Companies involved will mutually agree upon one of the billing methods as set forth in (A) or (B) following based upon the interconnection arrangements between the Companies and the availability of measurement capability.

(C)

(C)

ISSUE DATE:
October 17, 2017

Issued Under Transmittal No. 96
Vice President-Regulatory Operations
100 CenturyLink Drive
Monroe, Louisiana 71203

EFFECTIVE DATE:
November 1, 2017

ACCESS SERVICE

2. General Regulations (Cont'd)2.4 Payment Arrangements and Credit Allowances (Cont'd)2.4.8 Ordering, Rating and Billing of Access Services Where More Than One Exchange Telephone Company or Rate Schedule is Involved (Cont'd)

The Telephone Company will notify the customer which billing method will be used when the customer orders Access Service. In addition, the Telephone Company will provide the customer written notice of a change in billing method no later than 30 days prior to the implementation of such change.

The billing method set forth in (A) following is applicable only to interconnection arrangements between Exchange Telephone Companies involved in the provision of Feature Group A Switched Access Service where the Exchange Telephone Companies have not agreed to use multiple company billing. The billing methods set forth in (B) following are applicable to interconnection arrangements between Exchange Telephone Companies involved in the provision of all Access Services, with the exception of those instances where the provisions of (A) are available.

In accordance with the Federal Communications Commission's Memorandum Opinion and Order in CC Docket No. 86-106, adopted July 20, 1987, the Telephone Company will adhere to the standards set forth in the Multiple Exchange Carrier Access Billing (MECAB) and the Multiple Exchange Carrier Ordering and Design (MECOD) Guidelines when providing access service under Multiple Company (Interconnection Point) Billing arrangements. These documents are available for customer inspection as set forth in the *Reference to Other Publications* section of this tariff.

The Exchange Telephone Companies involved in providing the Access Service, will develop a mutually agreeable working arrangement to allow one of the Exchange Telephone Companies to perform "Access Service Coordination" (ASC) for all services requested.

ISSUE DATE:
February 28, 2011

Issued Under Transmittal No. 1
Vice President-Regulatory Operations
100 CenturyLink Drive
Monroe, Louisiana 71203

EFFECTIVE DATE:
March 1, 2011

ACCESS SERVICE

2. General Regulations (Cont'd)2.4 Payment Arrangements and Credit Allowances (Cont'd)2.4.8 Ordering, Rating and Billing of Access Services Where More Than One Exchange Telephone Company or Rate Schedule is Involved (Cont'd)(A) Single Company Billing (FGA Only)

When Feature Group A Access Service is ordered by a customer where one end of the Transport element is in one Exchange Telephone Company operating territory and the other end is in another Exchange Telephone Company operating territory, the Exchange Telephone Company in whose territory the first point of switching is located will accept the order. The Exchange Telephone Company that accepts the order will then determine the charges involved, arrange to provide the Access Service ordered and bill the charges in accordance with its Access Service tariff.

(B) Multiple Company (Interconnection Point) Billing

When an Access Service ordered by a customer involves more than one Exchange Telephone Company or rate schedule, the Exchange Telephone Companies involved will agree upon one of the following billing methods:

Single Bill Method: The Exchange Telephone Companies involved will mutually agree upon a "billing company" which will render the bill for the Access Service provided. The designated billing company will perform the "Access Service Coordination" (ASC) function for the service requested, determine the applicable charges, and bill the customer for the entire service in accordance with its Access Service tariff. The designated billing company will be billed by the other Exchange Telephone Companies involved for the portion of the Access Service they provide.

ISSUE DATE:
February 28, 2011

Issued Under Transmittal No. 1
Vice President-Regulatory Operations
100 CenturyLink Drive
Monroe, Louisiana 71203

EFFECTIVE DATE:
March 1, 2011

ACCESS SERVICE

2. General Regulations (Cont'd)2.4 Payment Arrangements and Credit Allowances (Cont'd)2.4.8 Ordering, Rating and Billing of Access Services Where More Than One Exchange Telephone Company or Rate Schedule is Involved (Cont'd)(B) Multiple Company (Interconnection Point) Billing (Cont'd)

Multiple Bill Method: Each Exchange Telephone Company involved will provide the portion of the service in its operating territory and bill the customer in accordance with its Access Service tariff.

- (1) When a Feature Group A Switched Access Service is ordered by a customer where one end of the Transport element is in the Telephone Company operating territory and the other end is in another Exchange Telephone Company operating territory, the Exchange Telephone Company in whose operating territory the first point of switching is located will accept the order. In addition, the Exchange Telephone Company in whose operating territory the customer point of termination is located must also receive a copy of the order from the customer. Each Exchange Telephone Company will provide the portion of the transport element in its operating territory to an interconnection point with another Exchange Telephone Company and will bill the charges in accordance with its Access Service tariff.
- (2) When Feature Group B, C, and/or D Switched Access Service and/or Directory Assistance Service is ordered by a customer where one end of the Transport element is in the Telephone Company operating territory and the other end is in another Exchange Telephone Company operating territory, the orders shall be received as follows:

ISSUE DATE:
February 28, 2011

Issued Under Transmittal No. 1
Vice President-Regulatory Operations
100 CenturyLink Drive
Monroe, Louisiana 71203

EFFECTIVE DATE:
March 1, 2011

ACCESS SERVICE

2. General Regulations (Cont'd)2.4 Payment Arrangements and Credit Allowances (Cont'd)2.4.8 Ordering, Rating and Billing of Access Services Where More Than One Exchange Telephone Company or Rate Schedule is Involved (Cont'd)(B) Multiple Company (Interconnection Point) Billing (Cont'd)

(2) (Cont'd)

- (a) For Feature Group C Switched Access Service and/or Directory Assistance Service, the Exchange Telephone Company in whose operating territory the end office is located must receive the order from the customer.
- (b) For Feature Group B and/or D Switched Access Service ordered to an end office, the Exchange Telephone Company in whose operating territory the end office is located must receive the order from the customer.
- (c) For Feature Group B and/or D Switched Access Service ordered to an access tandem, the Exchange Telephone Company in whose operating territory the access tandem is located must receive the order from the customer.
- (d) For the Service ordered set forth in (a), (b) and (c) preceding, the Exchange Telephone Company in whose operating territory the customer point of termination is located must also receive a copy of the order from the customer.

ISSUE DATE:
February 28, 2011

Issued Under Transmittal No. 1
Vice President-Regulatory Operations
100 CenturyLink Drive
Monroe, Louisiana 71203

EFFECTIVE DATE:
March 1, 2011

ACCESS SERVICE

2. General Regulations (Cont'd)2.4 Payment Arrangements and Credit Allowances (Cont'd)2.4.8 Ordering, Rating and Billing of Access Services Where More Than One Exchange Telephone Company or Rate Schedule is Involved (Cont'd)(B) Multiple Company (Interconnection Point) Billing (Cont'd)

(2) (Cont'd)

Each Exchange Telephone Company will provide the portion of the Transport element in its operating territory to an interconnection point with another Exchange Telephone Company and will bill the charges in accordance with its Access Service tariff. The rate for the Transport element will be determined as set forth in (8) following. All other appropriate charges in each Exchange Telephone Company tariff are applicable.

(3) When a Special Access Service utilized for connection with Switched Access Service is ordered and a Transport element applies (i.e., the WATS serving office and the end user customer end office are not coterminous) and one end of the Transport element is in the Telephone Company operating territory and the other end is in another Exchange Telephone Company operating territory, the Exchange Telephone Company in whose operating territory the end office is located must receive the order from the customer. In addition, the Exchange Telephone Company in whose operating territory the WATS Serving Office is located must also receive a copy of the order from the customer. Each Exchange Telephone Company will provide the portion of the Transport element in its

ISSUE DATE:
February 28, 2011

Issued Under Transmittal No. 1
Vice President-Regulatory Operations
100 CenturyLink Drive
Monroe, Louisiana 71203

EFFECTIVE DATE:
March 1, 2011

ACCESS SERVICE

2. General Regulations (Cont'd)2.4 Payment Arrangements and Credit Allowances (Cont'd)2.4.8 Ordering, Rating and Billing of Access Services Where More Than One Exchange Telephone Company or Rate Schedule is Involved (Cont'd)(B) Multiple Company (Interconnection Point) Billing (Cont'd)

(3) (Cont'd)

operating territory to an interconnection point with another Exchange Telephone Company and will bill the charges in accordance with its Access Service tariff. The rate for the Transport element will be determined as set forth in (8) following. All other appropriate charges in each Exchange Telephone Company tariff are applicable.

- (4) When a Special Access Service is ordered by a customer where one end of the Channel Mileage is in the Telephone Company operating territory and the other end is in another Exchange Telephone Company operating territory, except for Special Access Service provided with the use of Hubs, either of the Exchange Telephone Companies may receive the order from the customer. In addition, the other Exchange Telephone Company must receive a copy of the order from the customer. Each Exchange Telephone Company will provide the portion of the Channel Mileage element in its operating territory to an interconnection point (IP) with another Exchange Telephone Company and will bill the charges in accordance with its Access Service tariff. The rate for the Channel Mileage element will be determined as set forth in (8) following. All other appropriate charges in each Exchange Telephone Company tariff are applicable.

ISSUE DATE:
February 28, 2011

Issued Under Transmittal No. 1
Vice President-Regulatory Operations
100 CenturyLink Drive
Monroe, Louisiana 71203

EFFECTIVE DATE:
March 1, 2011

ACCESS SERVICE

2. General Regulations (Cont'd)2.4 Payment Arrangements and Credit Allowances (Cont'd)2.4.8 Ordering, Rating and Billing of Access Services Where More Than One Exchange Telephone Company or Rate Schedule is Involved (Cont'd)(B) Multiple Company (Interconnection Point) Billing (Cont'd)

- (5) When a Special Access Service involving a Hub is ordered by a customer where one end of the Channel Mileage element is in an Exchange Telephone Company operating territory and the Hub is in another Exchange Telephone Company operating territory, the Exchange Telephone Company in whose operating territory the Hub is located must receive the order from the customer. In addition, The Exchange Telephone Company in whose operating territory a customer premises is located must receive copies of the order from the customer. Each Exchange Telephone Company will provide the portion of the Channel Mileage element in its operating territory to an interconnection point (IP) with another Exchange Telephone Company and will bill the charges in accordance with its Access Service Tariff. The rate for the Channel Mileage element will be determined as set forth in (8) following. All other appropriate charges in each Exchange Telephone Company tariff are applicable.
- (6) When a Feature Group A, B, C and/or D Switched Access Service is ordered by a customer where both ends or an end and an interconnection point of the Transport Element are in the same Telephone Company operating territory and same exchange but in different states which have different rate schedules, the Telephone Company will accept the order in the state where

ISSUE DATE:
February 28, 2011

Issued Under Transmittal No. 1
Vice President-Regulatory Operations
100 CenturyLink Drive
Monroe, Louisiana 71203

EFFECTIVE DATE:
March 1, 2011

ACCESS SERVICE

2. General Regulations (Cont'd)2.4 Payment Arrangements and Credit Allowances (Cont'd)2.4.8 Ordering, Rating and Billing of Access Services Where More Than One Exchange Telephone Company or Rate Schedule is Involved (Cont'd)(B) Multiple Company (Interconnection Point) Billing (Cont'd)

(6) (Cont'd)

the first point of switching is located. When a Special Access Service utilized for connection with Switched Access Service is ordered and a Transport element applies and both ends or one end and an interconnection point of the Transport element are in the same Telephone Company operating territory and same exchange but in different states which have different rate schedules, the Telephone Company will accept the order in the state where the WATS Serving Office is located. The Telephone Company will provide the service ordered and will bill the portion of the service in each state in accordance with the rate schedule for that state. An interconnection point will be determined by the Telephone Company and will be used to determine the billing for each state. The rate for the Transport element will be determined as set forth in (8) following.

(7) When a Special Access Service, including those involving a Hub, but excluding those ordered for connection with Switched Access Service, is ordered by a customer where both ends of the Channel Mileage element, an end of the Channel Mileage element and an interconnection point, an end of the Channel Mileage element and a Hub or interconnection point and a Hub are in the same Telephone Company operating territory and the same exchange but in different states which

ISSUE DATE:
February 28, 2011

Issued Under Transmittal No. 1
Vice President-Regulatory Operations
100 CenturyLink Drive
Monroe, Louisiana 71203

EFFECTIVE DATE:
March 1, 2011

ACCESS SERVICE

2. General Regulations (Cont'd)2.4 Payment Arrangements and Credit Allowances (Cont'd)2.4.8 Ordering, Rating and Billing of Access Services Where More Than One Exchange Telephone Company or Rate Schedule is Involved (Cont'd)(B) Multiple Company (Interconnection Point) Billing (Cont'd)

(7) (Cont'd)

have different rate schedules, the Exchange Telephone Company will accept the order in either state except for orders involving Hubs. For orders involving Hub the order must be placed in the state where the Hub is located. An interconnection point will be determined by the Exchange Telephone Company and will be used to determine the billing for each state. All appropriate charges in each state rate schedule are applicable. The rate for the Channel Mileage element will be determined as set forth in (8) following.

- (8) Originating rates are applicable when originating Tandem Switched Transport is provided. Terminating Tandem 3rd Party rates are applicable when Terminating Tandem Switched Transport is provided through a CenturyLink Operating Company (CLOC) ILEC Access Tandem and the Terminating End Office is not owned by a CLOC ILEC. Terminating Tandem 3rd Party rates are also applicable when Terminating Tandem Switched Transport is provided through an Access Tandem not owned by a CLOC ILEC and the Terminating End Office is owned by a CLOC ILEC (including Direct-Trunked Transport arrangements); otherwise, Terminating – Tandem End Office rates apply. The rate for the Switched Access Direct-Trunked Transport and Tandem-Switched Transport or Special Access Channel Mileage per mile element for services provided as set forth in (1) through (7) preceding is determined as follows:

- (a) Determine the appropriate switched transport or channel mileage by computing the airline mileage between the two ends of the switched transport or channel mileage. Determine the airline mileage for the Tandem-Switched Transport per mile element using the V & H method as set forth in 6.7.12 following. Determine the airline mileage for the Direct-Trunked Transport and Channel Mileage per mile element using the V & H method as set forth in 7.4.6 following.

(C)

(C)

ISSUE DATE:
June 16, 2017

Issued Under Transmittal No. 93
Vice President-Regulatory Operations
100 CenturyLink Drive
Monroe, Louisiana 71203

EFFECTIVE DATE:
July 1, 2017

ACCESS SERVICE

2. General Regulations (Cont'd)2.4 Payment Arrangements and Credit Allowances (Cont'd)2.4.8 Ordering, Rating and Billing of Access Services Where More Than One Exchange Telephone Company or Rate Schedule is Involved (Cont'd)(B) Multiple Company (Interconnection Point) Billing (Cont'd)

(8) (Cont'd)

(b) Determine the rate for the airline mileage determined in (a) preceding using the Telephone Company's tariff. Multiply such rate by the Telephone Company's billing percentage factor and divide by 100 to obtain the switched transport or channel mileage per mile element charges.

(9) The interconnection points will be determined by the Exchange Telephone Companies involved. The billing percentage factor for the Telephone Company for the service between the two involved offices is listed in National Exchange Carrier Association, Inc. Tariff F.C.C. No. 4.

(C) Reserved For Future Use

ISSUE DATE:
February 28, 2011

Issued Under Transmittal No. 1
Vice President-Regulatory Operations
100 CenturyLink Drive
Monroe, Louisiana 71203

EFFECTIVE DATE:
March 1, 2011

ACCESS SERVICE

2. General Regulations (Cont'd)

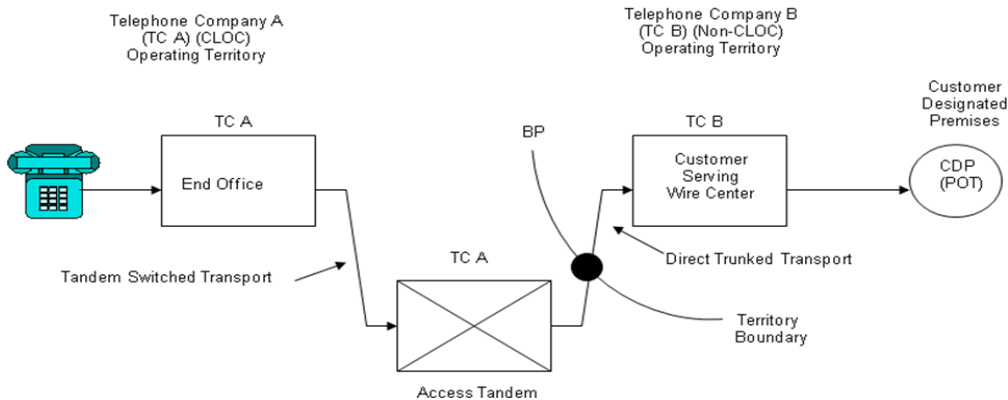
2.4 Payment Arrangements and Credit Allowances (Cont'd)

2.4.8 Ordering, Rating and Billing of Access Services Where More Than One Exchange Telephone Company or Rate Schedule is Involved (Cont'd)

(D) Example 1: Originating Switched Access
 (See Diagram 1)

- Feature Group D Switched Access is ordered to End Office.
- Originating End Office and Access Tandem are in the operating territory of a Telephone Company (TC-A).
- Customer Designated Premises is in the operating territory of a Telephone Company (TC-B).
- Assumptions:
 - o TC-A Direct Trunk Transport BP = 40%
 - o TC-B Direct Trunk Transport BP = 60%
 - o Direct Trunked Transport mileage = 26 mi.
 - o Tandem Switched Transport mileage = 23 mi.

Diagram 1



(C)

(C)

ISSUE DATE:
 April 17, 2017

Issued Under Transmittal No. 91
 Vice President-Regulatory Operations
 100 CenturyLink Drive
 Monroe, Louisiana 71203

EFFECTIVE DATE:
 May 2, 2017

ACCESS SERVICE

2. General Regulations (Cont'd)

2.4 Payment Arrangements and Credit Allowances (Cont'd)

2.4.8 Ordering, Rating and Billing of Access Services Where More Than One Exchange Telephone Company or Rate Schedule is Involved (Cont'd)

(D) Example 1: Originating Switched Access (Cont'd)
(See Diagram 1)

Telephone Company A charges are:

End Office charges = 9,000 min. x EO rate

Tandem Switched Facility charge
= 9,000 min. x 23 mi. x TSF rate

Tandem Switched Termination charge
= 2 terminations x 9,000 min. x TST rate

Tandem Switching charge
= 9,000 min x TS rate

Direct Trunked Facility charge
= 26 miles x DTF rate x 40%

Direct Trunked Termination charge
= 1 termination x DTT rate

Common Transport Multiplexing charge
= 9,000 min x CTM rate

(C)

(C)

ACCESS SERVICE

2. General Regulations (Cont'd)

2.4 Payment Arrangements and Credit Allowances (Cont'd)

2.4.8 Ordering, Rating and Billing of Access Services Where More Than One Exchange Telephone Company or Rate Schedule is Involved (Cont'd)

(D) Example 2: Terminating Switched Access – Tandem 3rd Party
(See Diagram 2A and 2B)

- Feature Group D Switched Access is ordered to End Office.
- Terminating Access Tandem is owned by CLOC ILEC carrier (TC-A) and End Office is owned by a non-CLOC ILEC carrier (TC-B)
- Assumptions:
 - o TC-A Direct Trunk Transport BP = 40% (where applicable Diagram 2A)
 - o TC-B Direct Trunk Transport BP = 60% (where applicable Diagram 2A)
 - o Direct Trunk Transport mileage = 26 mi.
 - o TC-A Tandem Switched Transport BP = 20%
 - o TC-B Tandem Switched Transport BP = 80%
 - o Tandem Switched Transport mileage = 23 mi.

(N)

(N)

ISSUE DATE:
April 17, 2017

Issued Under Transmittal No. 91
Vice President-Regulatory Operations
100 CenturyLink Drive
Monroe, Louisiana 71203

EFFECTIVE DATE:
May 2, 2017

ACCESS SERVICE

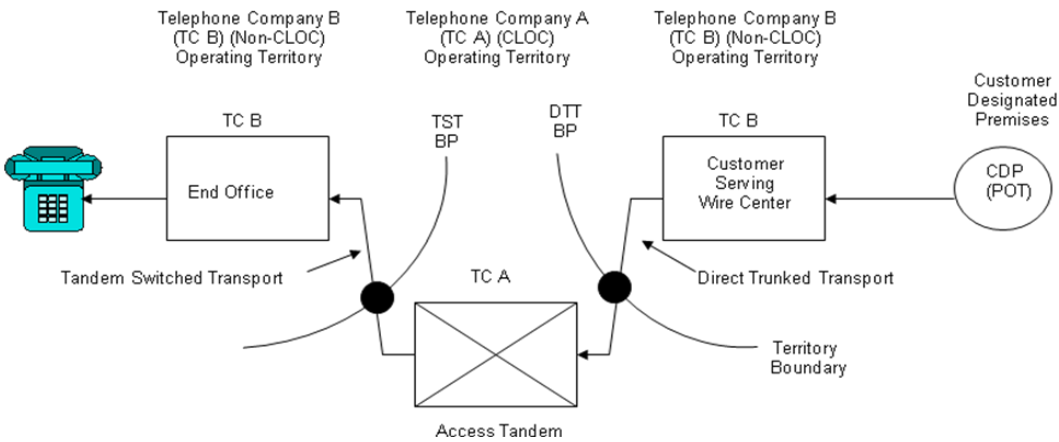
2. General Regulations (Cont'd)

2.4 Payment Arrangements and Credit Allowances (Cont'd)

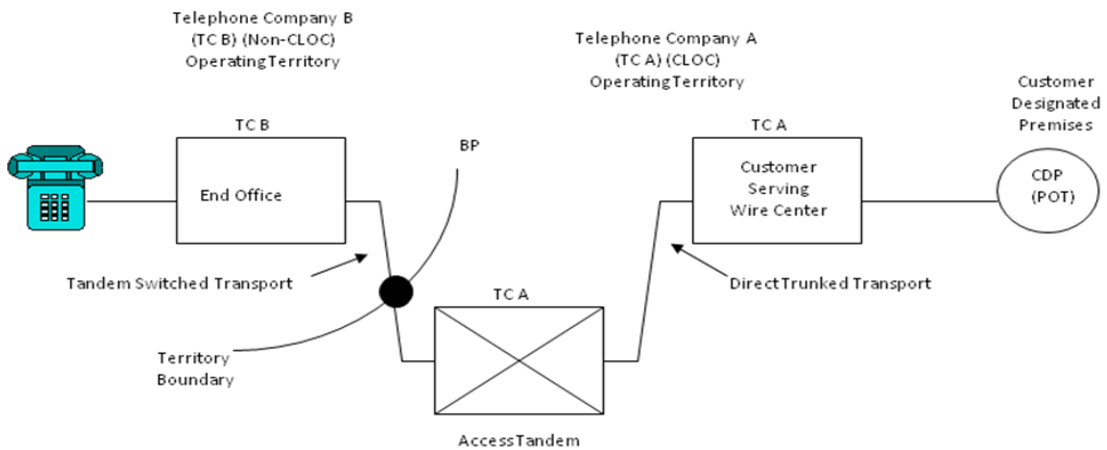
2.4.8 Ordering, Rating and Billing of Access Services Where More Than One Exchange Telephone Company or Rate Schedule is Involved (Cont'd)

(D) Example 2: Terminating Switched Access – Tandem 3rd Party
(Cont'd)
(See Diagram 2A and 2B)

- Diagram 2a



- Diagram 2b



BP = Billing Percentage

ISSUE DATE:
April 17, 2017

Issued Under Transmittal No. 91
Vice President-Regulatory Operations
100 CenturyLink Drive
Monroe, Louisiana 71203

EFFECTIVE DATE:
May 2, 2017

(N)

(N)

ACCESS SERVICE

2. General Regulations (Cont'd)2.4 Payment Arrangements and Credit Allowances (Cont'd)2.4.8 Ordering, Rating and Billing of Access Services Where More Than One Exchange Telephone Company or Rate Schedule is Involved (Cont'd)(D) Example 2: Terminating Switched Access – Tandem 3rd Party
(Cont'd)
(See Diagram 2A and 2B)

Example 2 Telephone Company A charges are:

Tandem Switched Facility – 3rd Party charge
= 9,000 min. x 23 mi. x TSF-3rd Party rate x 20%Tandem Switched Termination – 3rd Party charge
= 1 termination x 9,000 min. x TST-3rd Party rateTandem Switching – 3rd Party charge
= 9,000 min. x TS-3rd Party rateDirect Trunked Facility charge
2A = 26 miles x DTF rate x 40%
2B = 26 miles x DTF rateDirect Trunked Termination charge
2A = 1 termination x DTT rate
2B = 2 termination x DTT rateCommon Transport Multiplexing – 3rd Party charge
= 9,000 min x CTM-3rd Party rate

(N)

(N)

ISSUE DATE:
April 17, 2017Issued Under Transmittal No. 91
Vice President-Regulatory Operations
100 CenturyLink Drive
Monroe, Louisiana 71203EFFECTIVE DATE:
May 2, 2017

ACCESS SERVICE

2. General Regulations (Cont'd)

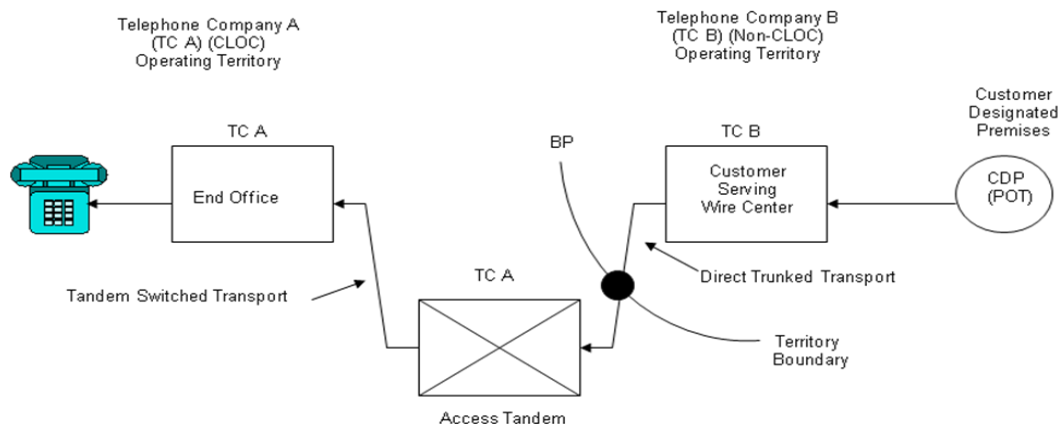
2.4 Payment Arrangements and Credit Allowances (Cont'd)

2.4.8 Ordering, Rating and Billing of Access Services Where More Than One Exchange Telephone Company or Rate Schedule is Involved (Cont'd)

(D) Example 3: Terminating Switched Access – Tandem End Office
(See Diagram 3)

- Feature Group D Switched Access is ordered to End Office.
- Terminating End Office and Access Tandem are both owned by a CLOC ILEC (TC-A)
- Assumptions:
 - o TC-A Direct Trunk Transport BP = 40%
 - o TC-B Direct Trunk Transport BP = 60%
 - o Direct Trunk Transport mileage = 26 mi.
 - o Tandem Switched Transport mileage = 23 mi.

Diagram 3



(N)

(N)

ISSUE DATE:
April 17, 2017

Issued Under Transmittal No. 91
Vice President-Regulatory Operations
100 CenturyLink Drive
Monroe, Louisiana 71203

EFFECTIVE DATE:
May 2, 2017

ACCESS SERVICE

2. General Regulations (Cont'd)

2.4 Payment Arrangements and Credit Allowances (Cont'd)

2.4.8 Ordering, Rating and Billing of Access Services Where More Than One Exchange Telephone Company or Rate Schedule is Involved (Cont'd)

(D) Example 3: Terminating Switched Access – Tandem End Office
(Cont'd)
(See Diagram 3)

- Telephone Company A charges are:

End Office Charges = 9,000 min. x EO rate

Tandem Switched Facility – End Office charge
= 9,000 min. x 23 mi. x TSF-End Office rate

Tandem Switched Termination – End Office charge
= 2 terminations x 9,000 min. x TST-End Office rate

Tandem Switching – End Office charge
= 9,000 min. x TS-End Office rate

Direct Trunked Facility Charge
= 26 miles x DTF rate x 40%

Direct Trunked Termination charge
= 1 termination x DTT rate

Common Transport Multiplexing – End Officecharge
= 9,000 min x CTM-End Office rate

(N)

(N)

ISSUE DATE:
April 17, 2017

Issued Under Transmittal No. 91
Vice President-Regulatory Operations
100 CenturyLink Drive
Monroe, Louisiana 71203

EFFECTIVE DATE:
May 2, 2017

ACCESS SERVICE

2. General Regulations (Cont'd)

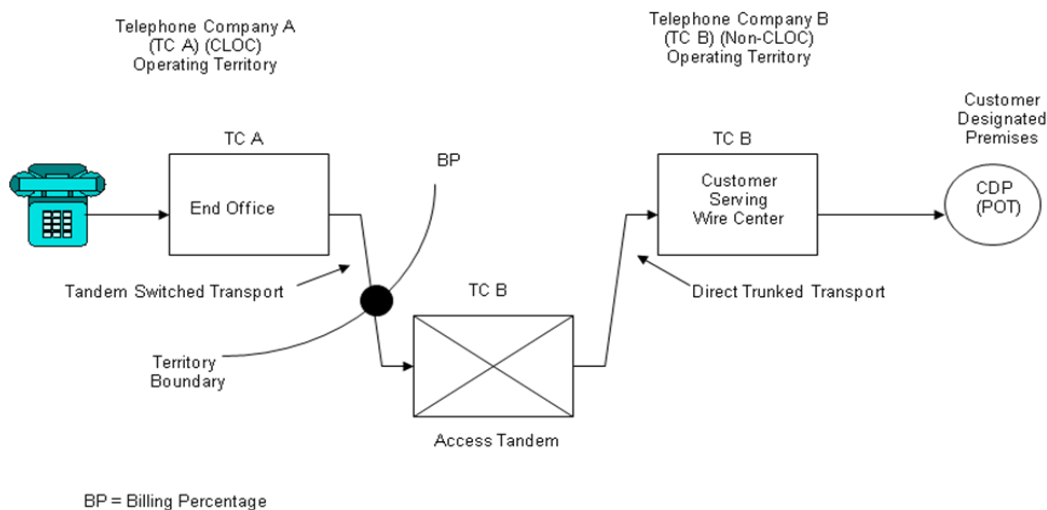
2.4 Payment Arrangements and Credit Allowances (Cont'd)

2.4.8 Ordering, Rating and Billing of Access Services Where More Than One Exchange Telephone Company or Rate Schedule is Involved (Cont'd)

(D) Example 4: Originating Switched Access – CLOC owns only the End Office
(See Diagram 4)

- Feature Group D Switched Access is ordered to End Office
- End Office is owned by CLOC (TC-A)
- Access Tandem is owned by a non-CLOC ILEC (TC-B)
- Assumptions:
 - o Direct Trunk Transport mileage = 26 mi.
 - o TC-A Tandem Switched Transport BP = 80%
 - o TC-B Tandem Switched Transport BP = 20%
 - o Tandem Switched Transport mileage = 23 mi.

Diagram 4



ISSUE DATE:
April 17, 2017

Issued Under Transmittal No. 91
Vice President-Regulatory Operations
100 CenturyLink Drive
Monroe, Louisiana 71203

EFFECTIVE DATE:
May 2, 2017

(N)

(N)

ACCESS SERVICE

2. General Regulations (Cont'd)

2.4 Payment Arrangements and Credit Allowances (Cont'd)

2.4.8 Ordering, Rating and Billing of Access Services Where More Than One Exchange Telephone Company or Rate Schedule is Involved (Cont'd)

(D) Example 4: Originating Switched Access – CLOC owns only the End Office (Cont'd)
(See Diagram 4)

- Telephone Company A charges are:

End Office charges = 9,000 min. x EO rate

Tandem Switched Facility charge
=9,000 min. x 23 mi. x TSF rate x 80%

Tandem Switched Termination charge
= 1 termination x 9,000 min. x TST rate

(N)

(N)

ACCESS SERVICE

2. General Regulations (Cont'd)

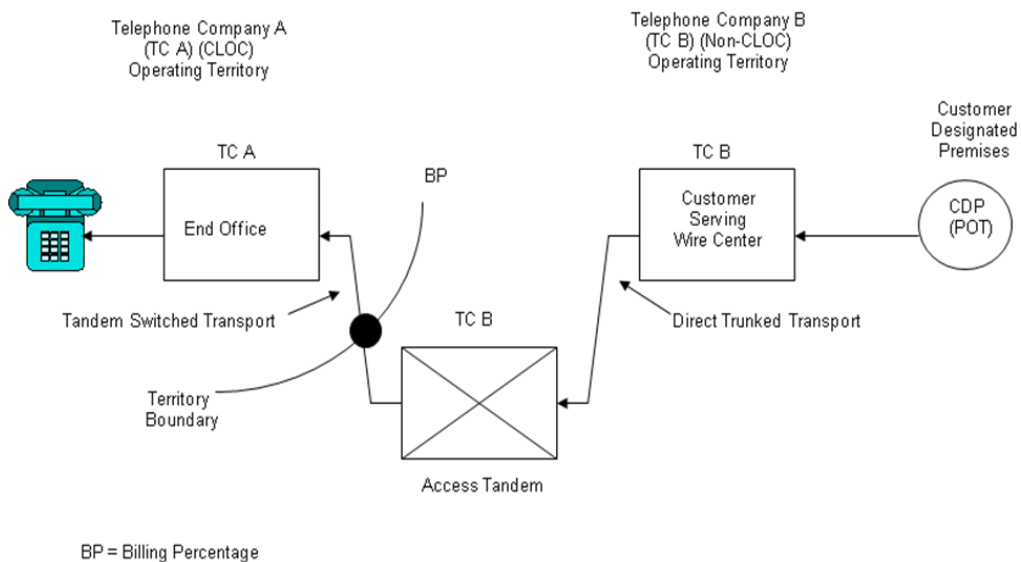
2.4 Payment Arrangements and Credit Allowances (Cont'd)

2.4.8 Ordering, Rating and Billing of Access Services Where More Than One Exchange Telephone Company or Rate Schedule is Involved (Cont'd)

(D) Example 5: Terminating Switched Access – Tandem 3rd Party
(See Diagram 5)

- Feature Group D Switched Access is ordered to End Office
- End Office is owned by Telephone Company (CLOC) (TC-A)
- Access Tandem is owned by a non-CLOC ILEC (TC-B)

Diagram 5



(N)

(N)

ISSUE DATE:
April 17, 2017

Issued Under Transmittal No. 91
Vice President-Regulatory Operations
100 CenturyLink Drive
Monroe, Louisiana 71203

EFFECTIVE DATE:
May 2, 2017

ACCESS SERVICE

2. General Regulations (Cont'd)

2.4 Payment Arrangements and Credit Allowances (Cont'd)

2.4.8 Ordering, Rating and Billing of Access Services Where More Than One Exchange Telephone Company or Rate Schedule is Involved (Cont'd)

(D) Example 5: Terminating Switched Access – Tandem 3rd Party
(Cont'd)

(See Diagram 5)

- Telephone Company A charges are:

End Office charges = 9,000 min. x EO rate

Tandem Switched Facility 3rd Party charge
= 9,000 min. x 23 mi. x TSF-3rd Party rate x 80%

Tandem Switched Termination 3rd Party charge
= 1 termination x 9,000 min. x TST-3rd Party rate

(N)

(N)

ISSUE DATE:
April 17, 2017

Issued Under Transmittal No. 91
Vice President-Regulatory Operations
100 CenturyLink Drive
Monroe, Louisiana 71203

EFFECTIVE DATE:
May 2, 2017

ACCESS SERVICE

2. General Regulations (Cont'd)

2.4 Payment Arrangements and Credit Allowances (Cont'd)

2.4.9 Service Performance Provisioning Guarantee

(A) General

The Company assures that orders for certain Access Services, as specified in (B) following, will be installed and available for customer use no later than the Firm Order Confirmation (FOC) date. (C)

When the failure to meet a FOC date for installation of these services is solely the Company's responsibility, the associated nonrecurring charges shall be credited to the customer. The nonrecurring charges will be credited at the rate at which they were billed, however, the credit will not be provided if a credit of the same nonrecurring charge for the same service is provided under other provisions of this tariff. The credit of applicable nonrecurring charges for installations not completed by the FOC date is an exclusive remedy and is in lieu of any other claims described in Section 2.1.3 preceding. (C)

(B) Services Subject to Credit

The Service Performance Provisioning Guarantee is available for all Switched Access Services and for the following Special Access Services: (C)

- Program Audio Non-Competitive End User Channel Terminations (EUCT) (C)
- Voice Grade Non-Competitive End User Channel Terminations (EUCT)
- Digital Data Non-Competitive End User Channel Terminations (EUCT)
- High Capacity Non-Competitive End User Channel Terminations (EUCT) (C)

ISSUE DATE:
October 17, 2017

Issued Under Transmittal No. 96
Vice President-Regulatory Operations
100 CenturyLink Drive
Monroe, Louisiana 71203

EFFECTIVE DATE:
November 1, 2017

ACCESS SERVICE

2. General Regulations (Cont'd)2.4 Payment Arrangements and Credit Allowances (Cont'd)2.4.9 Service Performance Provisioning Guarantee (Cont'd)(C) When a Credit Allowance Does Not Apply

Nonrecurring charge credits under the Service Performance Provisioning Guarantee will not be made:

- (1) When customer actions prevent or inhibit installation of the service (e.g., the customer's premises is inaccessible, the customer changes interface requirements, or the customer is not ready to accept the service).
- (2) When other Telephone Companies are involved in the service installation.
- (3) When the service is provided under the Special Construction or Specialized Services or Arrangements sections of this tariff.
- (4) During a declared national emergency, where priority installation of National Security Emergency Preparedness (NSEP) telecommunications services shall take precedence.
- (5) During natural disasters, work stoppages, civil disturbances, criminal actions; or by fire, flooding or other occurrences attributed to an Act of God.

ISSUE DATE:
February 28, 2011

Issued Under Transmittal No. 1
Vice President-Regulatory Operations
100 CenturyLink Drive
Monroe, Louisiana 71203

EFFECTIVE DATE:
March 1, 2011

ACCESS SERVICE

2. General Regulations (Cont'd)2.5 Connections2.5.1 General

Equipment and Systems (i.e., terminal equipment, multiline terminating systems and communications systems) may be connected with Switched and Special Access Service furnished by the Telephone Company where such connection is made in accordance with the provisions specified in Technical Reference Publications AS No. 1 and in 2.1 preceding.

2.5.2 Connection with Unbundled Network Elements

Pursuant to the Federal Communications Commission's *Report and Order on Remand and Further Notice of Proposed Rulemaking*, FCC 03-36, adopted February 20, 2003, and the requirements of Section 51.309 of the Federal Communications Commission's *Rules*, the Telephone Company will permit a requesting telecommunications carrier to commingle an unbundled network element or combination of unbundled network elements with wholesale access services obtained from the Telephone Company under this tariff. The rates, terms and conditions of this tariff will apply only to the access services that are commingled. Unbundled network elements or combinations of unbundled network elements that are commingled with access services are not available through this tariff.

ISSUE DATE:
February 28, 2011

Issued Under Transmittal No. 1
Vice President-Regulatory Operations
100 CenturyLink Drive
Monroe, Louisiana 71203

EFFECTIVE DATE:
March 1, 2011

ACCESS SERVICE

2. General Regulations (Cont'd)2.6 Definitions

Certain terms used herein are defined as follows:

Access Code

The term "Access Code" denotes a uniform seven digit code assigned by the Telephone Company to an individual customer. The seven digit code has the form 101-XXXX, 950-0XXX, 950-1XXX, 950-10XX or 950-00XX.

Access Minutes

The term "Access Minutes" denotes that usage of exchange facilities in interstate or foreign service for the purpose of calculating chargeable usage. On the originating end of an interstate or foreign call, usage is measured from the time the originating end user's call is delivered by the Telephone Company to and acknowledged as received by the customer's facilities connected with the originating exchange. On the terminating end of an interstate or foreign call, usage is measured from the time the call is received by the end user in the terminating exchange. Timing of usage at both originating and terminating ends of an interstate or foreign call shall terminate when the calling or called party disconnects, whichever event is recognized first in the originating and terminating exchanges, as applicable.

Access Tandem

The term "Access Tandem" denotes a Telephone Company switching system that provides a concentration and distribution function for originating or terminating traffic between end offices and a customer's premises.

ISSUE DATE:
February 28, 2011

Issued Under Transmittal No. 1
Vice President-Regulatory Operations
100 CenturyLink Drive
Monroe, Louisiana 71203

EFFECTIVE DATE:
March 1, 2011

ACCESS SERVICE

2. General Regulations (Cont'd)2.6 Definitions (Cont'd)Account

The term "Account" denotes the set of billing information for a customer. Each account is uniquely identified by the billing account number (BAN) located on either the customer's bill or service record.

Aggregator

The term "Aggregator" denotes any individual, partnership, association joint-stock company, trust, governmental entity or corporation as defined under Part 64.708(b) of the Federal Communications Commission's Rules.

Alternate Billing Service

Alternate Billing Service (ABS) provides end users the ability to bill calls to an account not necessarily associated with the originating line.

Answer Message

Denotes an SS7 message sent in the backward direction to indicate that the call has been answered.

Answer/Disconnect Supervision

The term "Answer/Disconnect Supervision" denotes the transmission of the switch trunk equipment supervisory signal (off-hook or on-hook) to the customer's point of termination as an indication that the called party has answered or disconnected.

ISSUE DATE:
February 28, 2011

Issued Under Transmittal No. 1
Vice President-Regulatory Operations
100 CenturyLink Drive
Monroe, Louisiana 71203

EFFECTIVE DATE:
March 1, 2011

ACCESS SERVICE

2. General Regulations (Cont'd)

2.6 Definitions (Cont'd)

Asynchronous

A method of transmission in which information is sent with each character (byte) providing synchronization via start and stop bits.

Asynchronous Polled Interface (API)

Burrough's protocol that parallels IBM's SNA protocol.

Attenuation Distortion

The term "Attenuation Distortion" denotes the difference in loss at specified frequencies relative to the loss at 1004 Hz, unless otherwise specified.

B-Channel

The term "B-Channel" denotes a bi-directional synchronous channel which supports 64 kbps of digital transmission.

Balance (100 Type) Test Line

The term "Balance (100 Type) Test Line" denotes an arrangement in an end office which provides for balance and noise testing.

Billed Number Screening (BNS)

Billed number screening is a process which utilizes a data base to determine specific characteristics and/or customer preferences on a billed line number. Examples would include, whether or not the line is a public telephone and whether the billed customer associated with the line will accept a collect call.

Bit

The term "Bit" denotes the smallest unit of information in the binary system of notation.

Business Data Services (BDS)

The dedicated point-to-point transmission of data at certain guaranteed speeds and service levels using high-capacity connections.

(N)
|
(N)

ISSUE DATE:
October 17, 2017

Issued Under Transmittal No. 96
Vice President-Regulatory Operations
100 CenturyLink Drive
Monroe, Louisiana 71203

EFFECTIVE DATE:
November 1, 2017

ACCESS SERVICE

2. General Regulations (Cont'd)2.6 Definitions (Cont'd)Business Day

The term "Business Day" denotes the times of day that a company is open for business. Generally, in the business community, these are 8:00 or 9:00 A.M. to 5:00 or 6:00 P.M., respectively, with an hour for lunch, Monday through Friday, resulting in an standard forty (40) hour work week. However, Business Day hours for the Telephone Company may vary based on company policy, union contract and location. To determine such hours for the Telephone Company, or company location, that company should be contacted at the address shown under the Issuing Carrier(s) name listed on Title Pages 2 through 4 preceding.

Byte

8 bits of data, also referred to as an Octet.

Call

The term "Call" denotes a customer attempt for which the complete address code (e.g., 0-, 911, or 10 digits) is provided to the serving dial tone office.

Call Set-Up

Any attempt by a CPSN user to establish a circuit to send packetized data.

ISSUE DATE:
February 28, 2011

Issued Under Transmittal No. 1
Vice President-Regulatory Operations
100 CenturyLink Drive
Monroe, Louisiana 71203

EFFECTIVE DATE:
March 1, 2011

ACCESS SERVICE

2. General Regulations (Cont'd)2.6 Definitions (Cont'd)Carrier or Common Carrier

See Interexchange Carrier.

Carrier Identification Parameter

The term "Carrier Identification Parameter (CIP)" denotes a field in the SS7 initial address message that identifies and forwards Carrier Identification Code information to an Interexchange Carrier.

CCS

The term "CCS" denotes a hundred call seconds, which is a standard unit of traffic load that is equal to 100 seconds of usage or capacity of a group of servers (e.g., trunks).

Central Office

The term "Central Office" denotes a local Telephone Company switching system where Telephone Exchange Service customer station loops are terminated for purposes of interconnection to each other and to trunks.

Central Office Building

A structure housing Company equipment that is under the control of the Company.

Central Office Prefix

The term "Central Office Prefix" denotes the first three digits (NXX) of the seven digit telephone number assigned to a customer's Telephone Exchange Service when dialed on a local basis.

Centralized Automatic Reporting on Trunks Testing

The term "Centralized Automatic Reporting on Trunks Testing" denotes a type of testing which includes the capacity for measuring operational and transmission parameters.

ISSUE DATE:
February 28, 2011

Issued Under Transmittal No. 1
Vice President-Regulatory Operations
100 CenturyLink Drive
Monroe, Louisiana 71203

EFFECTIVE DATE:
March 1, 2011

ACCESS SERVICE

2. General Regulations (Cont'd)2.6 Definitions (Cont'd)Channel(s)

The term "Channel(s)" denotes an electrical or photonic, in the case of fiber optic-based transmission systems, communications path between two or more points of termination.

Channel Service Unit

The term "Channel Service Unit" denotes equipment which performs one or more of the following functions: termination of a digital facility, regeneration of digital signals, detection and/or correction of signal format errors and remote loop back.

Channelize

The term "Channelize" denotes the process of multiplexing/demultiplexing wider bandwidth or higher speed channels into narrower bandwidth or lower speed channels.

Circuit Termination

The data circuit and associated conditioning which provides for dedicated access to the network.

ISSUE DATE:
February 28, 2011

Issued Under Transmittal No. 1
Vice President-Regulatory Operations
100 CenturyLink Drive
Monroe, Louisiana 71203

EFFECTIVE DATE:
March 1, 2011

ACCESS SERVICE

2. General Regulations (Cont'd)2.6 Definitions (Cont'd)Clear Channel Capability (CCC)

The term "Clear Channel Capability" denotes the transport of twenty-four, 64 Kbps channels over a 1.544 Mbps High Capacity Service via B8ZS line code format.

C-Message Noise

The term "C-Message Noise" denotes the frequency weighted average noise within an idle voice channel. The frequency weighting, called C-message, is used to simulate the frequency characteristic of the 500-type telephone set and the hearing of the average subscriber.

C-Notched Noise

The term "C-Notched Noise" denotes the C-message frequency weighted noise on a voice channel with a holding tone, which is removed at the measuring end through a notch (very narrow band) filter.

ISSUE DATE:
February 28, 2011

Issued Under Transmittal No. 1
Vice President-Regulatory Operations
100 CenturyLink Drive
Monroe, Louisiana 71203

EFFECTIVE DATE:
March 1, 2011

ACCESS SERVICE

2. General Regulations (Cont'd)2.6 Definitions (Cont'd)Collocation-POT

The physical point of termination in a Central Office Building, specified by the Company, between Other Tariffed Services and Customer Transport Facilities.

Collocation Space

A location within a Central Office Building, provided through Special Access Expanded interconnection for the purpose of locating Customer Transport Facilities and interconnecting those facilities to Other Tariffed Services.

Commingling

The term "Commingling" means the connecting, attaching, or otherwise linking of an unbundled network element (UNE), or a combination of unbundled network elements (UNEs), to one or more facilities or services that a requesting telecommunications carrier has obtained at wholesale from an incumbent LEC, or the combining of a UNE, or a combination of UNEs, with one or more such facilities or services.

Common Line

The term "Common Line" denotes a line, trunk, pay telephone line or other facility provided under the general and/or local exchange service tariffs of the Telephone Company, terminated on a central office switch. A common line-residence is a line or trunk provided under the residence regulations of the general and/or local exchange service tariffs. A common line-business is a line provided under the business regulations of the general and/or local exchange service tariffs.

Common Trunk Port

The term "Common Trunk Port" denotes the termination of shared access trunks when traffic is routed to an end office through an access tandem, host office or dial tone office.

ISSUE DATE:
February 28, 2011

Issued Under Transmittal No. 1
Vice President-Regulatory Operations
100 CenturyLink Drive
Monroe, Louisiana 71203

EFFECTIVE DATE:
March 1, 2011

ACCESS SERVICE

2. General Regulations (Cont'd)

2.6 Definitions (Cont'd)

Communications System

The term "Communications System" denotes channels and other facilities which are capable of communications between terminal equipment provided by other than the Company.

(C)

Competitive Services

All packet-based business data services; circuit-based business data services above the DS3 bandwidth level; transport services which includes interoffice facilities, channel terminations between the serving wire center and point of presence, and all subelements established for the use of these transport facilities; DS1 & DS3 end user channel terminations, and other special access services, in any competitive SWC; DS1 & DS3 end user channel terminations, and other special access services, in a SWC for which the Company was granted pricing flexibility prior to June 2017.

(N)

(N)

Completed Call

The term "Completed Call" denotes a call in which answer supervision is received from the called location.

CCITT

Consultative Committee for International Telephone and Telegraph.

ACCESS SERVICE

2. General Regulations (Cont'd)2.6 Definitions (Cont'd)Conventional Signaling

The inter-machine signaling system which has been traditionally used in North America for the purpose of transmitting the called number's address digits from the originating end office to the switching machine which will terminate the call. In this system, all of the dialed digits are received by the originating switching machine, a path is selected, and the sequence of supervisory signals and outpulsed digits is initiated. No overlap outpulsing, ten-digit ANI, ANI information digits, or acknowledgment wink are included in this signaling sequence.

Cost

Except as provided otherwise in this tariff, the term "cost" denotes all sums expended directly by the Telephone Company to provide particular facilities and/or services to a user, plus a pro-rata share of the cost to the Telephone Company of its facilities and personnel, including general and administrative costs, used in the provision of the facilities and/or services, plus a reasonable profit.

Customer(s)

The term "Customer(s)" denotes any individual, partnership, association, joint-stock company, trust, corporation, or governmental entity or any other entity which subscribes to the services offered under this tariff, including both Interexchange Carriers (ICs) and end users.

Customer Designated Premises

The term "Customer Designated Premises" denotes the premises specified by the customer for the provision of Access Service.

Customer Transport Facilities

Fiber optic transport and distribution cables and associated transmission equipment required for the operation thereof that are provided, operated, maintained and owned or controlled by the Customer.

ISSUE DATE:
February 28, 2011

Issued Under Transmittal No. 1
Vice President-Regulatory Operations
100 CenturyLink Drive
Monroe, Louisiana 71203

EFFECTIVE DATE:
March 1, 2011

ACCESS SERVICE

2. General Regulations (Cont'd)2.6 Definitions (Cont'd)D-Channel

The term "D-Channel" denotes a 64 kbps digital signaling channel that provides for call establishment.

DTE Backup

An optional customer feature which allows an alternate Data Network Address (DNA) to be designated for a particular CPSN switch termination in case the original is not in service. If the original DNA is out of order, the calling party will be automatically rerouted to the destination indicated by the alternate DNA.

Data Transmission (107 Type) Test Line

The term "Data Transmission (107 Type) Test Line" denotes an arrangement which provides for a connection to a signal source which provides test signals for one-way testing of data and voice transmission parameters.

Decibel

The term "Decibel" denotes a unit used to express relative difference in power, usually between acoustic or electric signals, equal to ten (10) times the common logarithm of the ratio of two signal powers.

ISSUE DATE:
February 28, 2011

Issued Under Transmittal No. 1
Vice President-Regulatory Operations
100 CenturyLink Drive
Monroe, Louisiana 71203

EFFECTIVE DATE:
March 1, 2011

ACCESS SERVICE

2. General Regulations (Cont'd)

2.6 Definitions (Cont'd)

Decibel Reference Noise C-Message Referenced to 0

The term "Decibel Reference Noise C-Message Referenced to 0" denotes noise power in "Decibel Reference Noise C-Message Weighting" referred to or measured at a zero transmission level point.

Decibel Reference Noise C-Message Weighting

The term "Decibel Reference Noise C-Message Weighting" denotes noise power measurements with C-Message weighting in decibels relative to a reference 1000 Hz tone of 90 dB below 1 milliwatt.

Dedicated Trunk Port

The term "Dedicated Trunk Port" denotes the termination of Feature Group B and D access trunks to an end office when provided as a trunk side arrangement or to the access tandem at the serving wire center side of the switch.

Detail Billing

The term "Detail Billing" denotes the listing of each message and/or rate element for which charges to a customer are due on a bill prepared by the Company.

(C)

(D)

(D)

ISSUE DATE:
October 17, 2017

Issued Under Transmittal No. 96
Vice President-Regulatory Operations
100 CenturyLink Drive
Monroe, Louisiana 71203

EFFECTIVE DATE:
November 1, 2017

ACCESS SERVICE

2. General Regulations (Cont'd)2.6 Definitions (Cont'd)Direct-Trunked Transport

The term "Direct-Trunked Transport" denotes switched access transport from the serving wire center to the end office on circuits dedicated to the use of a single access customer without tandem switching, or from the serving wire center to the access tandem when the transport from the access tandem to the end office is routed on circuits used in common by multiple access customers.

Directory Assistance (Interstate)

The term "Directory Assistance" denotes the provision of telephone numbers by a Telephone Company operator when the operator location is accessed by a customer premises by sending appropriate signals, i.e. off-hook, 411, 555-1212 or (NPA) 555-1212.

Directory Assistance Location (Interstate)

The term "Directory Assistance Location" denotes a Telephone Company office where Telephone Company equipment first receives the Directory Assistance call from a customer's premises and selects the first operator position to respond to the Directory Assistance call.

ISSUE DATE:
February 28, 2011

Issued Under Transmittal No. 1
Vice President-Regulatory Operations
100 CenturyLink Drive
Monroe, Louisiana 71203

EFFECTIVE DATE:
March 1, 2011

ACCESS SERVICE

2. General Regulations (Cont'd)2.6 Definitions (Cont'd)Directory Number (DN)

The term "Directory Number" denotes a unique NPA-NXX-XXXX assigned to a subscriber of a Local Service Provider.

Donor Switch

The term "Donor Switch" denotes the original switch source of an NXX that has been designated as portable and from which a subscriber has moved their service, while retaining their Directory Number, to a different service provider's switch.

Dual Tone Multifrequency Address Signaling

The term "Dual Tone Multifrequency Address Signaling" denotes a type of signaling that is an optional feature of Switched Access Feature Group A. It may be utilized when Feature Group A is being used in the terminating direction (from the point of interface with the customer to the local exchange end office). An office arranged for Dual Tone Multifrequency Signaling would expect to receive address signals from the customer in the form of Dual Tone Multifrequency signals.

Echo Control

The term "Echo Control" denotes the control of reflected signals in a telephone transmission path.

ISSUE DATE:
February 28, 2011

Issued Under Transmittal No. 1
Vice President-Regulatory Operations
100 CenturyLink Drive
Monroe, Louisiana 71203

EFFECTIVE DATE:
March 1, 2011

ACCESS SERVICE

2. General Regulations (Cont'd)2.6 Definitions (Cont'd)Echo Path Loss

The term "Echo Path Loss" denotes the measure of reflected signal at a 4-wire point of interface without regard to the send and receive Transmission Level Point.

Echo Return Loss

The term "Echo Return Loss" denotes a frequency weighted measure of return loss over the middle of the voiceband (approximately 500 to 2500 Hz), where talker echo is most annoying.

Effective 2-Wire

The term "Effective 2-Wire" denotes a condition which permits the simultaneous transmission in both directions over a channel, but it is not possible to insure independent information transmission in both directions. Effective 2-wire channels may be terminated with 2-wire or 4-wire interfaces.

Effective 4-Wire

The term "Effective 4-Wire" denotes a condition which permits the simultaneous independent transmission of information in both directions over a channel. The method of implementing effective 4-wire transmission is at the discretion of the Telephone Company (physical, time domain, frequency-domain separation or echo cancellation techniques). Effective 4-wire channels may be terminated with a 2-wire interface at the customer's premises. However, when terminated 2-wire, simultaneous independent transmission cannot be supported because the two wire interface combines the transmission paths into a single path.

ISSUE DATE:
February 28, 2011

Issued Under Transmittal No. 1
Vice President-Regulatory Operations
100 CenturyLink Drive
Monroe, Louisiana 71203

EFFECTIVE DATE:
March 1, 2011

ACCESS SERVICE

2. General Regulations (Cont'd)

2.6 Definitions (Cont'd)

End Office Switch

The term "End Office Switch" denotes a local Telephone Company switching system where Telephone Exchange Service customer station loops are terminated for purposes of interconnection to trunks. Included are Remote Switching Modules (RSM) and Remote Switching Systems (RSS) served by a host office in a different wire center.

ISSUE DATE:
February 28, 2011

Issued Under Transmittal No. 1
Vice President-Regulatory Operations
100 CenturyLink Drive
Monroe, Louisiana 71203

EFFECTIVE DATE:
March 1, 2011

ACCESS SERVICE

2. General Regulations (Cont'd)2.6 Definitions (Cont'd)End User

The term "End User" denotes any customer of an interstate or foreign telecommunications service that is not a carrier, except that a carrier other than a telephone company shall be deemed to be an "end user" when such carrier uses a telecommunications service for administrative purposes, and a person or entity that offers telecommunications services exclusively as a reseller shall be deemed to be an "end user" if all resale transmissions offered by such reseller originate on the premises of such reseller.

Entry Switch

See First Point of Switching.

Envelope Delay Distortion

The term "Envelope Delay Distortion" denotes a measure of the linearity of the phase versus frequency of a channel.

Equal Level Echo Path Loss

The term "Equal Level Echo Path Loss" (ELEPL) denotes the measure of Echo Path Loss (EPL) at a 4-wire interface which is corrected by the difference between the send and receive Transmission Level Point (TLP). [ELEPL = EPL - TLP (send) + TLP (receive)].

ISSUE DATE:
February 28, 2011

Issued Under Transmittal No. 1
Vice President-Regulatory Operations
100 CenturyLink Drive
Monroe, Louisiana 71203

EFFECTIVE DATE:
March 1, 2011

ACCESS SERVICE

2. General Regulations (Cont'd)2.6 Definitions (Cont'd)Exchange

The term "Exchange" denotes a unit generally smaller than a local access and transport area, established by the Telephone Company for the administration of communications service in a specified area which usually embraces a city, town or village and its environs. It consists of one or more central offices together with the associated facilities used in furnishing communications service within that area. The exchange includes any Extended Area Service area that is an enlargement of a Telephone Company's exchange area to include nearby exchanges. One or more designated exchanges comprise a given local access and transport area.

Exchange Access Signaling

The signaling system which is used, by equal access end offices, to transmit originating information and address digits to the customer's premises and which includes the means of verifying the receipt of these address digits. Features of this system include overlap outpulsing, identification of the type of call, identification of the ten-digit telephone number of the calling party, and acknowledgment wink supervisory signals.

Exchange Termination

Central office equipment (Modem or Channel Service Unit/Digital Service Unit) required for circuit termination at the switch.

ISSUE DATE:
February 28, 2011

Issued Under Transmittal No. 1
Vice President-Regulatory Operations
100 CenturyLink Drive
Monroe, Louisiana 71203

EFFECTIVE DATE:
March 1, 2011

ACCESS SERVICE

2. General Regulations (Cont'd)

2.6 Definitions (Cont'd)

Exit Message

Denotes an SS7 message sent to an end office by the Telephone Company tandem switch to mark the Carrier Connect Time when the Telephone Company's tandem switch sends an Initial Address Message to an Interexchange Customer.

Expected Measured Loss

The term "Expected Measured Loss" denotes a calculated loss which specifies the end-to-end 1004-Hz loss on a terminated test connection between two readily accessible manual or remote test points. It is the sum of the inserted connection loss and test access loss including any test pads.

Extended Area Service

See Exchange.

ISSUE DATE:
February 28, 2011

Issued Under Transmittal No. 1
Vice President-Regulatory Operations
100 CenturyLink Drive
Monroe, Louisiana 71203

EFFECTIVE DATE:
March 1, 2011

ACCESS SERVICE

2. General Regulations (Cont'd)2.6 Definitions (Cont'd)Field Identifier

The term "Field Identifiers" denotes two to four characters that are used on service orders to convey specific instructions. Field Identifiers may or may not have associated data. Selected field identifiers are used in Telephone Company billing systems to generate nonrecurring charges.

Firm Access Order

The term "Firm Access Order" denotes an access service order for which the customer has provided the Telephone Company sufficient information to proceed with the provision of facilities and/or terminations.

Firm Order Confirmation (FOC) Date

The date on which the Telephone Company confirms to the customer that the requested service can be provided.

First-Come, First-Served

The term "First-Come, First-Served" denotes a procedure followed when the first service order received will be the first service order processed.

ISSUE DATE:
February 28, 2011

Issued Under Transmittal No. 1
Vice President-Regulatory Operations
100 CenturyLink Drive
Monroe, Louisiana 71203

EFFECTIVE DATE:
March 1, 2011

ACCESS SERVICE

2. General Regulations (Cont'd)2.6 Definitions (Cont'd)First Point of Switching

The term "First Point of Switching" denotes the first Telephone Company location at which switching occurs on the terminating path of a call proceeding from the customer premises to the terminating end office and, at the same time, the last Telephone Company location at which switching occurs on the originating path of a call proceeding from the originating end office to the customer premises.

Frequency Shift

The term "Frequency Shift" denotes the change in the frequency of a tone as it is transmitted over a channel.

Geographically Aggregated Rate (GAR)

The term "Geographically Aggregated Rate" denotes a situation in which the rates and charges for a service offering, for which there is currently no demand, are developed based upon the aggregated total revenue and demand for more than one study area. Upon receipt of a request for service, the current geographically averaged rates will be redeveloped to include the new study area.

Example: Study areas A, B, and C have been geographically aggregated. Geographically averaged rates for A and B were developed based on their aggregated total revenue and demand, while Area C, marked "GAR", has no current demand. Should C receive a request for service, the current geographically averaged rates will be redeveloped to include C's revenue and demand. The redeveloped rates and charges will now be applicable to customers in A, B, and C.

ISSUE DATE:
February 28, 2011

Issued Under Transmittal No. 1
Vice President-Regulatory Operations
100 CenturyLink Drive
Monroe, Louisiana 71203

EFFECTIVE DATE:
March 1, 2011

ACCESS SERVICE

2. General Regulations (Cont'd)

2.6 Definitions (Cont'd)

Grandfathered

The term "Grandfathered" denotes Terminal Equipment, Multiline Terminating Systems and Protective Circuitry directly connected to the facilities utilized to provide services under the provisions of this tariff, and which are considered grandfathered under Part 68 of the F.C.C.'s Rules and Regulations.

Holding Time

The duration of a public dial call.

Host Office

The term "Host Office" denotes an electronic switching system which provides call processing capabilities for one or more Remote Switching Modules or Remote Switching Systems.

ISSUE DATE:
February 28, 2011

Issued Under Transmittal No. 1
Vice President-Regulatory Operations
100 CenturyLink Drive
Monroe, Louisiana 71203

EFFECTIVE DATE:
March 1, 2011

ACCESS SERVICE

2. General Regulations (Cont'd)2.6 Definitions (Cont'd)Hub

A Hub is a Telephone Company designated serving wire center at which bridging or multiplexing functions are performed. The bridging functions performed may be used to connect three or more Customer designated premises in a multipoint arrangement. The multiplexing functions are to channelize analog or digital facilities to individual services requiring a lower capacity or bandwidth.

Immediately Available Funds

The term "Immediately Available Funds" denotes a corporate or personal check drawn on a bank account and funds which are available for use by the receiving party on the same day on which they are received and includes U.S. Federal Reserve bank wire transfers, U.S. Federal Reserve notes (paper cash), U.S. coins, U.S. Postal Money Orders and New York Certificates of Deposit.

Impedance Balance

The term "Impedance Balance" denotes the method of expressing Echo Return Loss and Singing Return Loss at a 4-wire interface whereby the gains and/or loss of the 4 wire portion of the transmission path, including the hybrid, are not included in the specification.

ISSUE DATE:
February 28, 2011

Issued Under Transmittal No. 1
Vice President-Regulatory Operations
100 CenturyLink Drive
Monroe, Louisiana 71203

EFFECTIVE DATE:
March 1, 2011

ACCESS SERVICE

2. General Regulations (Cont'd)2.6 Definitions (Cont'd)Impulse Noise

The term "Impulse Noise" denotes any momentary occurrence of the noise on a channel over a specified level threshold. It is evaluated by counting the number of occurrences which exceed the threshold.

Individual Case Basis

The term "Individual Case Basis" denotes a condition in which the regulations, if applicable, rates and charges for an offering under the provisions of this tariff are developed based on the circumstances in each case.

Initial Address Message

Denotes an SS7 message sent in the forward direction to initiate trunk set up by seizing an outgoing trunk for sending trunk and call routing and handling information to the next switch.

Inserted Connection Loss

The term "Inserted Connection Loss" denotes the 1004 Hz power difference (in dBs) between the maximum power available at the originating end and the actual power reaching the terminating end through the inserted connection.

Interconnector

The term "Interconnector" denotes any individual, partnership, association, joint-stock company, trust, corporation, or governmental entity or any other entity which provides fiber optic and associated equipment or microwave facilities for connection of its equipment, collocated in Telephone Company serving wire center(s), to other services provided under this tariff.

ISSUE DATE:
February 28, 2011

Issued Under Transmittal No. 1
Vice President-Regulatory Operations
100 CenturyLink Drive
Monroe, Louisiana 71203

EFFECTIVE DATE:
March 1, 2011

ACCESS SERVICE

2. General Regulations (Cont'd)2.6 Definitions (Cont'd)Interexchange Carrier (IC) or Interexchange Common Carrier

The terms "Interexchange Carrier" (IC) or "Interexchange Common Carrier" denotes any individual, partnership, association, joint-stock company, trust, governmental entity or corporation engaged for hire in interstate or foreign communication by wire or radio, between two or more exchanges.

Intermodulation Distortion

The term "Intermodulation Distortion" denotes a measure of the non-linearity of a channel. It is measured using four tones, and evaluating the ratios (in dBs) of the transmitted composite four-tone signal power to the second-order products of the tones (R2), and the third-order products of the tones (R3).

ISSUE DATE:
February 28, 2011

Issued Under Transmittal No. 1
Vice President-Regulatory Operations
100 CenturyLink Drive
Monroe, Louisiana 71203

EFFECTIVE DATE:
March 1, 2011

ACCESS SERVICE

2. General Regulations (Cont'd)2.6 Definitions (Cont'd)Interstate Communications

The term "Interstate Communications" denotes both interstate and foreign communications.

Interstate Service Arrangement

The term "Interstate Service Arrangement" denotes an arrangement provided pursuant to interstate tariffs, contracts or service arrangement whereby the subscriber who obtains the arrangement permits others to make calls to the telephone number assigned to the arrangement without charges.

Intrastate Communications

The term "Intrastate Communications" denotes any communications within a state subject to oversight by a state regulatory commission as provided by the laws of the state involved.

Jointly Used Subscriber Plant

The term "Jointly Used Subscriber Plant" denotes the local nontraffic sensitive facilities which provide connection between the Customer's service location and the exchange central office serving the Customer and which may alternatively be used to place exchange service calls, interexchange intrastate service calls, or interexchange interstate service calls with no change in the nature of the facilities.

Kilobits Per Second (Kbps)

One thousand bits per second.

ISSUE DATE:
February 28, 2011

Issued Under Transmittal No. 1
Vice President-Regulatory Operations
100 CenturyLink Drive
Monroe, Louisiana 71203

EFFECTIVE DATE:
March 1, 2011

ACCESS SERVICE

2. General Regulations (Cont'd)

2.6 Definitions (Cont'd)

Kilopacket

One thousand packets.

Kilosegment

One thousand segments.

Line Information Data Base

The Line Information Data Base (LIDB) is a data base containing billing validation data to support Alternate Billing Services.

Line Side Connection

The term "Line Side Connection" denotes a connection of a transmission path to the line side of a local exchange switching system.

Local Access and Transport Area (LATA)

The term "Local Access and Transport Area" denotes a geographic area established for the provision and administration of communications service. It encompasses one or more designated exchanges, which are grouped to serve common social, economic and other purposes. For the purposes of this tariff Geographical Market Area (GMA) and LATA are intended to be interchangeable.

ISSUE DATE:
February 28, 2011

Issued Under Transmittal No. 1
Vice President-Regulatory Operations
100 CenturyLink Drive
Monroe, Louisiana 71203

EFFECTIVE DATE:
March 1, 2011

ACCESS SERVICE

2. General Regulations (Cont'd)

2.6 Definitions (Cont'd)

Local Calling Area

The term "Local Calling Area" denotes a geographical area, as defined in the Telephone Company's Local and/or General Exchange Service tariff, in which an end user (Telephone Exchange Service subscriber) may complete a call without incurring MTS charges.

Local Circuit Facility

Unconditioned copper facility used as the basis for designing a data circuit.

Local Tandem Switch

The term "Local Tandem Switch" denotes a local Telephone Company switching unit by which local or access telephonic communications are switched to and from an End Office Switch.

Location Routing Number

The term "Location Routing Number" denotes a ten digit number used to uniquely identify a switch that has ported numbers.

ISSUE DATE:
February 28, 2011

Issued Under Transmittal No. 1
Vice President-Regulatory Operations
100 CenturyLink Drive
Monroe, Louisiana 71203

EFFECTIVE DATE:
March 1, 2011

ACCESS SERVICE

2. General Regulations (Cont'd)2.6 Definitions (Cont'd)Loop Around Test Line

The term "Loop Around Test Line" denotes an arrangement utilizing a Telephone Company central office to provide a means to make certain two-way transmission tests on a manual basis. This arrangement has two central office terminations, each reached by means of separate telephone numbers and does not require any specific customer premises equipment. Equipment subject to this test arrangement is at the discretion of the customer.

Loss Deviation

The term "Loss Deviation" denotes the variation of the actual loss from the designed value.

Maintenance Test Unit (MTU)

The term "Maintenance Test Unit" denotes a piece of equipment installed and maintained by the Telephone Company near the end of a transmission path on the central office side of a Customer's premises. Upon proper command, the Maintenance Test Unit can isolate a Customer's wire and terminal equipment from the network loop. It enables remote testing of the transmission path's performance to the MTU.

ISSUE DATE:
February 28, 2011

Issued Under Transmittal No. 1
Vice President-Regulatory Operations
100 CenturyLink Drive
Monroe, Louisiana 71203

EFFECTIVE DATE:
March 1, 2011

ACCESS SERVICE

2. General Regulations (Cont'd)

2.6 Definitions (Cont'd)

Major Fraction Thereof

The term "Major Fraction Thereof" is any period of time in excess of 1/2 of the stated amount of time. As an example, in considering a period of 24 hours, a major fraction thereof would be any period of time in excess of 12 hours exactly. Therefore, if a given service is interrupted for a period of thirty six hours and fifteen minutes, the customer would be given a credit allowance for two twenty four hour periods for a total of forty eight hours.

Maritime Radio Common Carriers (MRCCs)

The term "Maritime Radio Common Carriers (MRCCs)" denotes carriers which are regulated under Part 81 of the Federal Communications Commission's Rules and Regulations.

Market Service Area

(See "Local Access Transport Area").

(D)
—
(D)

Message

The term "Message" denotes a "call" as defined preceding.

Milliwatt (102 Type) Test Line

The term "Milliwatt (102 Type) Test Line" denotes an arrangement in an end office which provides a 1004 Hz tone at 0 dBm0 for one-way transmission measurements towards the customer's premises from the Company end office.

(C)

ISSUE DATE:
October 17, 2017

Issued Under Transmittal No. 96
Vice President-Regulatory Operations
100 CenturyLink Drive
Monroe, Louisiana 71203

EFFECTIVE DATE:
November 1, 2017

ACCESS SERVICE

2. General Regulations (Cont'd)2.6 Definitions (Cont'd)Minutes of Use

See Access Minutes.

Multiline Business Customer

The term "Multiline Business Customer" denotes an End User who is provided with more than one Common Line-business line in a state by the same Telephone Company under the business regulations of the General and/or Local Exchange Service tariffs of the Telephone Company.

N-1 Carrier

The term "N-1 Carrier" denotes the telecommunications carrier responsible for determining the Location Routing Number and delivering a call to the Telephone Company's switch. The N-1 carrier is the telecommunications carrier immediately preceding the terminating carrier in the Local Number Portability process.

Negotiation

An optional customer feature that allows negotiation on a per call basis of the packet size, window size, and throughput class for each direction of data transfer.

Network Control Signaling

The term "Network Control Signaling" denotes the transmission of signals used in the telecommunications system which perform functions such as supervision (control, status, and charge signals), address signaling (e.g., dialing), calling and called number identifications, rate of flow, service selection error control and audible tone signals (call progress signals indicating reorder or busy conditions, alerting, coin denominations, coin collect and coin return tones) to control the operation of the telecommunications system.

ISSUE DATE:
February 28, 2011

Issued Under Transmittal No. 1
Vice President-Regulatory Operations
100 CenturyLink Drive
Monroe, Louisiana 71203

EFFECTIVE DATE:
March 1, 2011

ACCESS SERVICE

2. General Regulations (Cont'd)

2.6 Definitions (Cont'd)

Network Processing Charge

A charge, per kilosegment, applied to calls which require packetizing at both the originating and terminating points in the network.

Non-Competitive Serving Wire Center

A Company Serving Wire Center that has not met the Competitive Market Test as established by the FCC's BDS Order (17-43) on April 28, 2017 at §69.803.

Non-Toll Free

All calls that are not toll free (8YY) as established by the FCC's 8YY Access Charge Reform Order (FCC 20-143) released on October 9, 2020.

(N)
|
(N)

Nonsynchronous Test Line

The term "Nonsynchronous Test Line" denotes an arrangement in step-by-step end offices which provides operational tests which are not as complete as those provided by the synchronous test lines, but can be made more rapidly.

North American Numbering Plan

The term "North American Numbering Plan" denotes a three-digit area (Numbering Plan Area) code and a seven-digit telephone number made up of a three-digit Central Office code plus a four-digit station number.

Off-hook

The term "Off-hook" denotes the active condition of Switched Access or a Telephone Exchange Service line.

ISSUE DATE:
June 16, 2021

Issued Under Transmittal No. 118
Vice President-Public Policy & Compliance
100 CenturyLink Drive
Monroe, Louisiana 71203

EFFECTIVE DATE:
July 1, 2021

ACCESS SERVICE

2. General Regulations (Cont'd)

2.6 Definitions (Cont'd)

On-hook

The term "On-hook" denotes the idle condition of Switched Access or a Telephone Exchange Service line.

Open Circuit Test Line

The term "Open Circuit Test Line" denotes an arrangement in an end office which provides an ac open circuit termination of a trunk or line by means of an inductor of several Henries.

Operator Service System (OSS)

The term "Operator Service System" (OSS) denotes the group of interacting hardware (switching equipment, data links, and operator terminals) and software components for the provision of operator service functionality.

(D)

(D)

ACCESS SERVICE

2. General Regulations (Cont'd)

2.6 Definitions (Cont'd)

(D)

(D)

Originating Direction

The term "Originating Direction" denotes the use of Access Service for the origination of calls from an end user premises to a customer premises.

Originating Point Code

An originating point code is assigned to identify each Operator Service System (OSS) location.

Other Tariffed Services

As used for Expanded Interconnection in Section 17, this denotes specific rate elements of Tariff F.C.C. No. 9, offered by the Company, which may be interconnected to Customer Transport Facilities using Special Access Expanded Interconnection. Such rate elements are specified in Section 17.7.

(C)

ISSUE DATE:
October 17, 2017

Issued Under Transmittal No. 96
Vice President-Regulatory Operations
100 CenturyLink Drive
Monroe, Louisiana 71203

EFFECTIVE DATE:
November 1, 2017

ACCESS SERVICE

2. General Regulations (Cont'd)

2.6 Definitions (Cont'd)

Overlap Outpulsing

The feature of the exchange access signaling system which permits initiation of pulsing to the customer's premises before the calling subscriber has completed dialing an originating call.

Packet

A continuous sequence of binary digits of information which is switched through the network as an integral unit. Consists of customer data, facilities and addressing/signaling information.

Pay Telephone

The term "Pay Telephone" denotes coin or coinless instruments and related facilities that are available for use by the general public for public convenience and necessity.

ISSUE DATE:
February 28, 2011

Issued Under Transmittal No. 1
Vice President-Regulatory Operations
100 CenturyLink Drive
Monroe, Louisiana 71203

EFFECTIVE DATE:
March 1, 2011

ACCESS SERVICE

2. General Regulations (Cont'd)2.6 Definitions (Cont'd)Permanent Virtual Circuit (PVC)

A virtual circuit through the packet network that is established at service installation and is available on a permanent basis. No call establishment or call termination is associated with a Permanent Virtual Circuit. The PVC feature may be available across X.75 interfaces.

Personal Identification Number (PIN)

A Personal Identification Number (PIN) is a confidential four-digit code number provided to a calling card customer to protect against the unauthorized use of their calling card number. The PIN is stored in the LIDB for those accounts that have an associated calling card.

Phase Jitter

The term "Phase Jitter" denotes the unwanted phase variations of a signal.

Point of Termination

The term "Point of Termination" denotes a point of demarcation within a customer-designated premises at which the Telephone Company's responsibility for the provision of Access Service ends.

Premises

The term "Premises" denotes a building, or a portion of a building in a multitenant building, or buildings on continuous property (except Railroad Right-of-Way, etc.), not separated by a public highway.

ISSUE DATE:
February 28, 2011

Issued Under Transmittal No. 1
Vice President-Regulatory Operations
100 CenturyLink Drive
Monroe, Louisiana 71203

EFFECTIVE DATE:
March 1, 2011

ACCESS SERVICE

2. General Regulations (Cont'd)2.6 Definitions (Cont'd)Primary Exchange Carrier

The term "Primary Exchange Carrier" denotes the Local Exchange Telephone Company in whose exchange a customer's first point of switching (i.e., dial tone office for FGA) is located.

Protocol

A set of rules governing the format to be followed when transmitting information between communicating devices.

Query

A query is a request for specific information generated by a computer processor and sent to a data base, with a predefined set of responses expected.

Radio Common Carriers (RCCs)

The term "Radio Common Carriers (RCCs)" denotes carriers which are regulated under Part 22 of the Federal Communications Commission's Rules and Regulations.

Recipient Switch

The term "Recipient Switch" denotes any end office switch that serves Directory Numbers (DN) within a number portable NXX that is not originally assigned to the switch. Customers assigned a DN within the indicated NXX that were working out of a switch other than the one originally designated are said to have ported their number to this recipient switch.

Regional Service Management System/Number Portability Administration Center

The term "Regional Number Portability Administration Center" denotes the third party administered database which maintains the information on all ported numbers in the Telephone Company's region.

ISSUE DATE:
February 28, 2011

Issued Under Transmittal No. 1
Vice President-Regulatory Operations
100 CenturyLink Drive
Monroe, Louisiana 71203

EFFECTIVE DATE:
March 1, 2011

ACCESS SERVICE

2. General Regulations (Cont'd)2.6 Definitions (Cont'd)Registered Equipment

The term "Registered Equipment" denotes the customer's premises equipment which complies with and has been approved within the Registration Provisions of Part 68 of the F.C.C.'s Rules and Regulations.

Release Message

Denotes an SS7 message sent in either direction to indicate that a specific circuit is being released.

Remote Switching Modules and/or Remote Switching Systems

The term "Remote Switching Modules and/or Remote Switching Systems" denotes small, remotely controlled electronic end office switches which obtain their call processing capability from an ESS-type Host Office. The Remote Switching Modules and/or Remote Switching Systems cannot accommodate direct trunks to a customer.

ISSUE DATE:
February 28, 2011

Issued Under Transmittal No. 1
Vice President-Regulatory Operations
100 CenturyLink Drive
Monroe, Louisiana 71203

EFFECTIVE DATE:
March 1, 2011

ACCESS SERVICE

2. General Regulations (Cont'd)2.6 Definitions (Cont'd)Response

A Response is one response from a set of predefined expected responses to a request for information contained in a query from a computer processor.

Responsible Organization

The term "Responsible Organization" denotes that entity which is responsible for the management and administration of a Toll Free Code (TFC) service record in the TFC Service Management System.

Return Loss

The term "Return Loss" denotes a measure of the similarity between the two impedances at the junction of two transmission paths. The higher the return loss, the higher the similarity.

Reverse Charge Blocking

The capability to deny reverse charge (collect) calls from other network users.

Secondary Exchange Carrier

The term "Secondary Exchange Carrier" denotes the Local Exchange Telephone Company in whose exchange a customer's end user's end office is located and where the customer's first point of switching is provided by a Primary Exchange Carrier who is not the same Exchange Carrier as the Secondary Exchange Carrier.

ISSUE DATE:
February 28, 2011

Issued Under Transmittal No. 1
Vice President-Regulatory Operations
100 CenturyLink Drive
Monroe, Louisiana 71203

EFFECTIVE DATE:
March 1, 2011

ACCESS SERVICE

2. General Regulations (Cont'd)

2.6 Definitions (Cont'd)

Segment

A portion of a packet, defined by the Company as 16 bytes of user data.

Service Control Point

A Service Control Point (SCP) is a transaction processor based system that provides a network interface to various data base services.

Service Switching Point

An end office or tandem switch equipped with the signaling link hardware and software that can perform the Signal Point functions. In addition, SSPs can identify the need for application software in processing a Common Channel Signaling/ Signaling System 7 call and request and respond to call processing instructions issued by a Service Control Point.

ISSUE DATE:
February 28, 2011

Issued Under Transmittal No. 1
Vice President-Regulatory Operations
100 CenturyLink Drive
Monroe, Louisiana 71203

EFFECTIVE DATE:
March 1, 2011

ACCESS SERVICE

2. General Regulations (Cont'd)2.6 Definitions (Cont'd)Serving Wire Center

The term "Serving Wire Center" denotes the wire center from which the customer designated premises would normally obtain dial tone from the Telephone Company.

Seven Digit Manual Test Line

The term "Seven Digit Manual Test Line" denotes an arrangement which allows the customer to select balance, milliwatt and synchronous test lines by manually dialing a seven digit number over the associated access connection.

Short Circuit Test Line

The term "Short Circuit Test Line" denotes an arrangement in an end office which provides for an ac short circuit termination of a trunk or line by means of a capacitor of at least four microfarads.

Signal-to-C-Notched Noise Ratio

The term "Signal-to-C-Notched Noise Ratio" denotes the ratio in dB of a test signal to the corresponding C-Notched Noise.

Signal Transfer Point (STP)

The term "Signal Transfer Point" denotes a packet switch which provides CCS network access and performs CCS message routing and screening.

Signaling System 7 (SS7)

The term "Signaling system 7 (SS7)" denotes the layered protocol used for standardized common channel signaling in the United States.

ISSUE DATE:
February 28, 2011

Issued Under Transmittal No. 1
Vice President-Regulatory Operations
100 CenturyLink Drive
Monroe, Louisiana 71203

EFFECTIVE DATE:
March 1, 2011

ACCESS SERVICE

2. General Regulations (Cont'd)

2.6 Definitions (Cont'd)

Singing Return Loss

The term "Singing Return Loss" denotes the frequency weighted measure of return loss at the edges of the voiceband (200 to 500 Hz and 2500 to 3200 Hz), where singing (instability) problems are most likely to occur.

Single Line Business Customer

The term "Single Line Business Customer" denotes an End User who pays for an End User Common Line at a rate that is not described as a residential rate in the Company's Local Exchange Service tariffs and who does not obtain more than one such line from the same Company.

(T)
(T)

Special Order

The term "Special Order" denotes an order for a Directory Assistance Service.

Statistical Multiplexing

The term "Statistical Multiplexing" denotes a multiplexing technique that differs from simple multiplexing in that the share of the available transmission bandwidth allocated to a given user varies dynamically. In other words, in statistical multiplexing, a channel is only assigned to communicating devices (voice, modem, etc.) when they actually have data to send or receive.

Subscriber Line Charge

The term "Subscriber Line Charge" denotes a fee that the subscriber pays to the local telephone company that connects the subscriber to the telephone network.

(N)
|
(N)

Subtending End Office of an Access Tandem

The term "Subtending End Office of an Access Tandem" denotes an end office that has final trunk group routing through that tandem.

Switch Termination

A line port on a central office based packet switch.

ACCESS SERVICE

2. General Regulations (Cont'd)

2.6 Definitions (Cont'd)

Synchronous

A method of transmission in which information being transmitted over a line is controlled by a timing device.

(D)

(D)

Synchronous Test Line

The term "Synchronous Test Line" denotes an arrangement in an end office which performs marginal operational tests of supervisory and ring-tripping functions.

(D)

(D)

ISSUE DATE:
October 17, 2017

Issued Under Transmittal No. 96
Vice President-Regulatory Operations
100 CenturyLink Drive
Monroe, Louisiana 71203

EFFECTIVE DATE:
November 1, 2017

ACCESS SERVICE

2. General Regulations (Cont'd)

2.6 Definitions (Cont'd)Tandem-Switched Transport

The term "Tandem-Switched Transport" denotes switched access transport from the access tandem to an end office subtending that tandem. Tandem-switched transport consists of circuits used in common by multiple access customers from the tandem to the end office.

Terminating Direction

The term "Terminating Direction" denotes the use of Access Service for the completion of calls from a customer premises to an end user premises.

Throughput Class

The attainable data rate (bits per second) on packet switched data calls.

Toll Free Code (TFC)

The term "Toll Free Code" denotes a three-digit Numbering Plan Area (NPA) or Area Code that is specifically assigned by the telecommunications industry for use by Telecommunications Service Providers in the provision of telephone numbers that, unlike traditional telephone numbers and calls, when dialed are toll free to the originating caller. The specific codes assigned and used, or reserved for use, for this purpose are 800, 822, 833, 844, 855, 866, 877, and 888.

Toll Free Code Service Management System

The term "Toll Free Code Service Management System" (TFC SMS) denotes the main operations support system used to create and update TFC service records in the national TFC data base.

ISSUE DATE:
February 28, 2011

Issued Under Transmittal No. 1
Vice President-Regulatory Operations
100 CenturyLink Drive
Monroe, Louisiana 71203

EFFECTIVE DATE:
March 1, 2011

ACCESS SERVICE

2. General Regulations (Cont'd)

2.6 Definitions (Cont'd)

Toll Free Code (TFC) Service Provider

The term "Toll Free Code (TFC) Service Provider" denotes a telecommunications company, including local exchange carriers and interexchange carriers, or a reseller of exchange or interexchange services that offers TFC service to end users.

Toll VoIP-PSTN Traffic

The term "Toll VoIP-PSTN Traffic" denotes a customer's interexchange voice traffic exchanged with the Telephone Company in Time Division Multiplexing format over PSTN facilities, which originates and/or terminates in Internet Protocol (IP) format. "Toll VoIP-PSTN Traffic" originates and/or terminates in IP format when it originates from and/or terminates to an end user customer of a service that requires IP-compatible customer premises equipment.

(N)(x)
|
|
|
|
(N)(x)

Transmission Measuring (105 Type) Test Line/Responder

The term "Transmission Measuring (105 Type) Test Line/Responder" denotes an arrangement in an end office which provides far-end access to a responder and permits two-way loss and noise measurements to be made on trunks from a near end office.

Transmission Path

The term "Transmission Path" denotes an electrical path capable of transmitting signals within the range of the service offering, e.g., a voice grade transmission path is capable of transmitting voice frequencies within the approximate range of 300 to 3000 Hz. A transmission path is comprised of physical or derived channels consisting of any form or configuration of facilities typically used in the telecommunications industry.

Trunk

The term "Trunk" denotes a communications path connecting two switching systems in a network, used in the establishment of an end-to-end connection.

(x) Issued under authority of Special Permission No. 11-019.

ISSUE DATE:
December 19, 2011

Issued Under Transmittal No. 14
Vice President-Regulatory Operations
100 CenturyLink Drive
Monroe, Louisiana 71203

EFFECTIVE DATE:
December 29, 2011

ACCESS SERVICE

2. General Regulations (Cont'd)2.6 Definitions (Cont'd)Trunk Group

The term "Trunk Group" denotes a set of trunks which are traffic engineered as a unit for the establishment of connections between switching systems in which all of the communications paths are interchangeable.

Trunk Side Connection

The term "Trunk Side Connection" denotes the connection of a transmission path to the trunk side of a local exchange switching system.

Two-Wire to Four-Wire Conversion

The term "Two-Wire to Four-Wire Conversion" denotes an arrangement which converts a four-wire transmission path to a two-wire transmission path to allow a four-wire facility to terminate in a two-wire entity (i.e., a central office switch).

Unbundled Network Elements (UNEs)

The term "Unbundled Network Elements" denotes the physical facilities of the network, including the associated features, functions and capabilities, that may be used in the provision of a telecommunications service, made available pursuant to Section 251 of the Telecommunications Act of 1996.

V and H Coordinates Method

The term "V and H Coordinates Method" denotes a method of computing airline miles between two points by utilizing an established formula which is based on the vertical (V) and horizontal (H) coordinates of the two points.

ISSUE DATE:
February 28, 2011

Issued Under Transmittal No. 1
Vice President-Regulatory Operations
100 CenturyLink Drive
Monroe, Louisiana 71203

EFFECTIVE DATE:
March 1, 2011

ACCESS SERVICE

2. General Regulations (Cont'd)

2.6 Definitions (Cont'd)

Virtual Circuit

A communications connection that allows transmission of sequenced data packets through the network. The connection is made up of Logical Channels at the originating and terminating ends of the call as well as intra-network facilities. Transmission bandwidth is only allocated when packets are actually being transmitted.

(D)(x)
|
|
(D)(x)

WATS Serving Office

The term "WATS Serving Office" denotes a telephone company designated serving wire center where switching, screening and/or recording functions are performed.

Window Size

The number of outgoing packets that may be sent before confirmation is received indicating that the previous packets have been successfully received.

(x) Issued under authority of Special Permission No. 11-019.

ISSUE DATE:
December 19, 2011

Issued Under Transmittal No. 14
Vice President-Regulatory Operations
100 CenturyLink Drive
Monroe, Louisiana 71203

EFFECTIVE DATE:
December 29, 2011

ACCESS SERVICE

2. General Regulations (Cont'd)

2.6 Definitions (Cont'd)

Wire Center

The term "Wire Center" denotes a building in which one or more central offices, used for the provision of Telephone Exchange Services, are located.

ISSUE DATE:
February 28, 2011

Issued Under Transmittal No. 1
Vice President-Regulatory Operations
100 CenturyLink Drive
Monroe, Louisiana 71203

EFFECTIVE DATE:
March 1, 2011

ACCESS SERVICE

3. Carrier Common Line Access Service

(D)

(D)

3.1 General Description

Carrier Common Line Access provides for the use of end users' Telephone Company provided common lines by customers for access to such end users to furnish Interstate Communications.

(D)

(D)

A Special Access Surcharge, as set forth in 7.5.9 following, will apply to interstate special access service provided by the Telephone Company to a customer, in accordance with regulations as set forth in 7.4.2 following.

ISSUE DATE:
January 30, 2014

Issued Under Transmittal No. 51
Vice President-Regulatory Operations
100 CenturyLink Drive
Monroe, Louisiana 71203

EFFECTIVE DATE:
February 14, 2014

ACCESS SERVICE

3. Carrier Common Line Access Service (Cont'd)3.2 Limitations3.2.1 Exclusions

Neither a telephone number nor detail billing are provided with Carrier Common Line Access. Additionally, directory listings and intercept arrangements are not included in the rates and charges for Carrier Common Line Access.

3.2.2 Access Groups

All line side connections provided in the same access group will be limited to the same features and operating characteristics.

All trunk side connections provided in the same access group will be limited to the same features and operating characteristics.

3.2.3 WATS Special Access Circuits

Where Special Access Services are utilized for connection with Switched Access Services at telephone company designated WATS Serving Offices for the provision of WATS or WATS-like services, Switched Access Service minutes which are carried on that end of the service (i.e., originating minutes for outward WATS and WATS-like services and terminating minutes for inward WATS and WATS-like services) shall not be assessed Carrier Common Line Access per minute charges with the following exception. Carrier Common Line Access per minute charges shall apply when Feature Group A or Feature Group B switched access is ordered from a non equal access telephone company office that does not have measurement capabilities and the assumed access minutes of use monthly surrogates, as set forth in 6.7.7(D) following are used.

ISSUE DATE:
February 28, 2011

Issued Under Transmittal No. 1
Vice President-Regulatory Operations
100 CenturyLink Drive
Monroe, Louisiana 71203

EFFECTIVE DATE:
March 1, 2011

ACCESS SERVICE

3. Carrier Common Line Access Service (Cont'd)3.3 Undertaking of the Telephone Company3.3.1 Provision of Service

Where the customer is provided Switched Access Service under other sections of this tariff, the Telephone Company will provide the use of Telephone Company common lines by a customer for access to end users at rates and charges as set forth in 3.9 following.

3.3.2 Interstate and Intrastate Use

The Switched Access Service provided by the Telephone Company includes the Switched Access Service provided for both interstate and intrastate communications. The Carrier Common Line Access rates and charges as set forth in 3.9 following apply to interstate Switched Access Service access minutes in accordance with the rate regulations as set forth in 3.8.4 following (Percent Interstate Use - PIU).

3.4 Obligations of the Customer3.4.1 Switched Access Service Requirement

The Switched Access Service associated with Carrier Common Line Access shall be ordered by the customer under other sections of this tariff.

3.4.2 Supervision

The customer facilities at the premises of the ordering customer shall provide the necessary on-hook and off-hook supervision.

3.5 Determination of Usage Subject to Carrier Common Line Access Charges

Except as set forth herein, all Switched Access Service provided to the customer will be subject to Carrier Common Line Access charges.

ISSUE DATE:
February 28, 2011

Issued Under Transmittal No. 1
Vice President-Regulatory Operations
100 CenturyLink Drive
Monroe, Louisiana 71203

EFFECTIVE DATE:
March 1, 2011

ACCESS SERVICE

3. Carrier Common Line Access Service (Cont'd)3.5 Determination of Usage Subject to Carrier Common Line Access Charges (Cont'd)3.5.1 Determination of Jurisdiction

When the customer reports interstate and intrastate use of Switched Access Service, the associated Carrier Common Line Access used by the customer for interstate will be determined as set forth in 3.8.4 following (Percent Interstate Use-PIU).

3.5.2 Cases Involving Usage Recording By the Customer

Where Feature Group C end office switching is provided without Telephone Company recording and the customer records minutes of use used to determine Carrier Common Line Access charges (i.e., Feature Group C operator and calls such as pay telephone sent-paid, operator-DDD, operator-person, collect, credit-card, third number and/or other like calls), the customer shall furnish such minutes of use detail to the Telephone Company in a timely manner. If the customer does not furnish the data, the customer shall identify all Switched Access Services which could carry such calls in order for the Telephone Company to accumulate the minutes of use through the use of special Telephone Company measuring and recording equipment.

3.5.3 Local Exchange Access and Enhanced Services Exemption

When access to the local exchange is required to provide a customer's service (e.g., MTS/WATS-like, telex, data, etc.) that uses a resold private line service, Switched Access Service Rates and Regulations, as set forth in Section 6. following will apply, except when such access to the local exchange is required for the provision of an enhanced service. Carrier Common Line Access rates and charges as set forth in 3.9 following apply in accordance with the resale rate regulations as set forth in 3.6.4 following.

ISSUE DATE:
February 28, 2011

Issued Under Transmittal No. 1
Vice President-Regulatory Operations
100 CenturyLink Drive
Monroe, Louisiana 71203

EFFECTIVE DATE:
March 1, 2011

ACCESS SERVICE

3. Carrier Common Line Access Service (Cont'd)3.6 Resold Services3.6.1 Scope

Where the customer is reselling MTS and/or MTS-like service(s) on which the Carrier Common Line and Switched Access charges have been assessed, the customer may, at the option of the customer, obtain Feature Group A, Feature Group B or Feature Group D Switched Access Service under this tariff, as set forth in Section 6. following, for originating and/or terminating access in the local exchange. Such access group arrangements, whether single lines or trunks or multiline hunt groups or trunk groups, will have Carrier Common Line Access charges applied as set forth in 3.9 following in accordance with the resale rate regulations set forth in 3.6.4 following. For purposes of administering this provision:

Resold interstate terminating MTS and MTS-like service(s) shall include collect calls, third number calls, and credit card calls where the reseller pays the underlying carrier's service charges; and shall not include intrastate minutes of use.

Resold interstate originating MTS and MTS-like service(s) shall not include collect, third number, credit card, or intrastate minutes of use.

3.6.2 Customer Obligations Concerning the Resale of MTS and MTS-like Services

When the customer is reselling MTS and/or MTS-like service as set forth in 3.6.1 preceding, the customer will be charged Carrier Common Line Access charges in accordance with the resale rate regulations, as set forth in 3.6.4 following, if the customer or the provider of the MTS service furnishes documentation of the MTS usage and/or the customer furnishes documentation of the MTS-like usage. Such documentation provided by the customer shall be supplied each month and shall identify the involved resold MTS and/or MTS-like services.

ISSUE DATE:
February 28, 2011

Issued Under Transmittal No. 1
Vice President-Regulatory Operations
100 CenturyLink Drive
Monroe, Louisiana 71203

EFFECTIVE DATE:
March 1, 2011

ACCESS SERVICE

3. Carrier Common Line Access Service (Cont'd)3.6 Resold Services (Cont'd)3.6.2 Customer Obligations Concerning the Resale of MTS and MTS-like Services (Cont'd)

The monthly period used to determine the minutes of use for resold MTS and/or MTS-like service(s) shall be the most recent monthly period for which the customer has received a bill for such resold service(s). This information shall be delivered to the Telephone Company, at a location specified by the Telephone Company, no later than 15 days after the bill date shown on the resold MTS and/or MTS-like service bill. If the required information is not received by the Telephone Company, the previously reported information, as described preceding, will be used for the next two months. For any subsequent month, no allocation or credit will be made until the required documentation is delivered to the Telephone Company by the customer.

3.6.3 Resale Documentation Provided By the Customer

When the customer utilizes Switched Access Service as set forth in 3.6.2 preceding, the Telephone Company may request a certified copy of the customer's resold MTS or MTS-like usage billing from either the customer or the provider of the MTS or MTS-like service. Requests for billing will relate back no more than 12 months prior to the current billing period.

3.6.4 Rate Regulations Concerning the Resale of MTS and MTS-like Services

When the customer is provided an access group to be used in conjunction with the resale of MTS and/or MTS-like services as set forth in 3.6.1 preceding, subject to the limitations as set forth in 3.2 preceding, and the billing entity receives the usage information required as set forth in 3.6.2 preceding, to calculate the adjustment of Carrier Common Line Access charges, the customer will be billed as set forth in (D), (E), or (F) following, depending upon, respectively, whether the usage is from non equal access offices, equal access offices, or a combinations of the two.

ISSUE DATE:
February 28, 2011

Issued Under Transmittal No. 1
Vice President-Regulatory Operations
100 CenturyLink Drive
Monroe, Louisiana 71203

EFFECTIVE DATE:
March 1, 2011

ACCESS SERVICE

3. Carrier Common Line Access Service (Cont'd)3.6 Resold Services (Cont'd)3.6.4 Rate Regulations Concerning the Resale of MTS and MTS-like Services
(Cont'd)(A) Apportionment and Adjustment of Resold Minutes of Use

When the customer is provided with more than one access group in a LATA in association with the resale of MTS and/or MTS-like services, the resold minutes of use will be apportioned as follows:

(1) Originating Services

The Telephone Company will apportion the resold originating MTS and/or MTS-like services and originating minutes of use for which the resale credit adjustment applies, among the access groups. Such apportionment will be based on the relationship of the originating usage for each access group to the total originating usage for all access groups in the LATA. For purposes of administering this provision:

Resold originating MTS and/or MTS-like services minutes shall be only those attributable to interstate originating MTS and/or MTS-like minutes and shall not include collect, third number, credit card, or intrastate minutes of use.

The resale credit adjustment shall apply for resold originating MTS and MTS-like services and minutes of use, provided Carrier Common Line and Switched Access Charges have been assessed on such services.

ISSUE DATE:
February 28, 2011

Issued Under Transmittal No. 1
Vice President-Regulatory Operations
100 CenturyLink Drive
Monroe, Louisiana 71203

EFFECTIVE DATE:
March 1, 2011

ACCESS SERVICE

3. Carrier Common Line Access Service (Cont'd)3.6 Resold Services (Cont'd)3.6.4 Rate Regulations Concerning the Resale of MTS and MTS-like Services (Cont'd)(A) Apportionment and Adjustment of Resold Minutes of Use (Cont'd)(2) Terminating Services

The Telephone Company will apportion the resold terminating MTS and/or MTS-like services and terminating minutes of use for which the resale credit adjustment applies, among the access groups. Such apportionment will be based on the relationship of the terminating usage for each access group to the total terminating usage for all access groups in the LATA. For purposes of administering this provision:

Resold terminating MTS and/or MTS-like services minutes shall be only those attributable to interstate terminating MTS/MTS-like (i.e., collect calls, third number calls, and credit card calls) and shall not include intrastate minutes of use or MTS/MTS-like minutes of use paid for by another party.

The resale credit adjustment shall apply for resold terminating MTS and MTS-like services and minutes of use, provided Carrier Common Line and Switched Access Charges have been assessed on such services.

ISSUE DATE:
February 28, 2011

Issued Under Transmittal No. 1
Vice President-Regulatory Operations
100 CenturyLink Drive
Monroe, Louisiana 71203

EFFECTIVE DATE:
March 1, 2011

ACCESS SERVICE

3. Carrier Common Line Access Service (Cont'd)3.6 Resold Service (Cont'd)3.6.4 Rate Regulations Concerning the Resale of MTS and MTS-like Services (Cont'd)(B) Same State/Telephone Company/Exchange Limitation

In order for the rate regulations to apply as set forth in (D), (E), or (F) following, the access groups and the resold MTS and/or MTS-like services must be provided in the same state (except when the same extended area service arrangement is provided in two different states by the same telephone company) in the same exchange, provided by the same Telephone Company and connected directly or indirectly. For those exchanges that encompass more than one state, the customer shall report the information by state within the exchange.

(C) Direct and Indirect Connections

Each of the access group arrangements used by the customer in association with the resold MTS and/or MTS-like services must be connected either directly or indirectly to the customer designated premises at which the resold MTS and/or MTS-like services are terminated. Direct connections are those arrangements where the access groups and resold MTS and/or MTS-like services are terminated at the same customer designated premises.

Indirect originating connections are those arrangements where the access groups and the resold originating MTS and/or MTS-like services are physically located at different customer designated premises in the same exchange. Such different customer designated premises are connected by facilities that permit a call to flow from access groups to resold MTS and/or MTS-like services.

ISSUE DATE:
February 28, 2011

Issued Under Transmittal No. 1
Vice President-Regulatory Operations
100 CenturyLink Drive
Monroe, Louisiana 71203

EFFECTIVE DATE:
March 1, 2011

ACCESS SERVICE

3. Carrier Common Line Access Service (Cont'd)

3.6 Resold Service (Cont'd)

3.6.4 Rate Regulations Concerning the Resale of MTS and MTS-like Services
(Cont'd)

(C) Direct and Indirect Connections (Cont'd)

Indirect terminating connections are those arrangements where the access groups and resold terminating MTS and/or MTS-like services are physically located at different customer designated premises in the same exchange. Such different customer designated premises are connected by facilities that permit a call to flow from resold terminating MTS and/or MTS-like services to access groups.

(D) Reserved For Future Use

(C)

(D)

(D)

ACCESS SERVICE

3. Carrier Common Line Access Service (Cont'd)

3.6 Resold Services (Cont'd)

3.6.4 Rate Regulations Concerning the Resale of MTS and MTS-like Services (Cont'd)

(E) Reserved For Future Use

(C)

(D)

(D)

(F) Reserved For Future Use

(C)

(D)

(D)

ACCESS SERVICE

3. Carrier Common Line Access Service (Cont'd)

3.6 Resold Services (Cont'd)

3.6.4 Rate Regulations Concerning the Resale of MTS and MTS-like Services
(Cont'd)

(F) Reserved For Future Use (Cont'd)

(C)

(D)

(D)

G) Reserved For Future Use (Cont'd)

(C)

(D)

(D)

ACCESS SERVICE

3. Carrier Common Line Access Service (Cont'd)

3.6 Resold Services (Cont'd)

3.6.4 Rate Regulations Concerning the Resale MTS and MTS-like Services (Cont'd)

(H) Conversion of Billed Usage to Minutes

When the MTS and/or MTS-like usage is shown in hours, the number of hours shall be multiplied by 60 to develop the associated MTS and/or MTS-like minutes of use. If the MTS and/or MTS-like usage is shown in a unit that does not show hours or minutes, the customer shall provide a factor to convert the shown units to minutes.

3.7 Reserved For Future Use

(D)
—
(D)

ACCESS SERVICE

3. Carrier Common Line Access Service (Cont'd)

3.8 Rate Regulations

3.8.1 Reserved For Future Use

(C)

(D)

(D)

3.8.2 Measuring and Recording of Call Detail

When access minutes are used to determine Carrier Common Line charges, they will be accumulated using call detail recorded by Telephone Company equipment except as set forth in 3.8.3 following (Unmeasured FGA and B Usage) and Feature Group C operator and automated operator services systems call detail such as pay telephone sent-paid, operator-DDD, operator-person, collect, credit-card, third number and/or other like calls recorded by the customer. The Telephone Company measuring and recording equipment, except as set forth in 3.8.3 following (Unmeasured FGA and B Usage), will be associated with end office or local tandem switching equipment and will record each originating and terminating access minute where answer supervision is received. The accumulated access minutes will be summed on a line by line basis, by line group or by end office, whichever type of account is used by the Telephone Company, for each customer and then rounded to the nearest minute.

ISSUE DATE:
January 30, 2014

Issued Under Transmittal No. 51
Vice President-Regulatory Operations
100 CenturyLink Drive
Monroe, Louisiana 71203

EFFECTIVE DATE:
February 14, 2014

ACCESS SERVICE

3. Carrier Common Line Access Service (Cont'd)

3.8 Rate Regulations (Cont'd)

3.8.3 Unmeasured Feature Group A and B Usage

When Carrier Common Line Access is provided in association with Feature Group A or Feature Group B Switched Access Service in Telephone Company offices that are not equipped for measurement capabilities, an assumed interstate access minutes of use monthly surrogate, as set forth in Section 6.7.7(D) following, will be used to determine Carrier Common Line Access charges.

3.8.4 Percent Interstate Use (PIU)

When the customer reports interstate and intrastate use of in-service Switched Access Service, Carrier Common Line charges will be billed only to interstate Switched Access Service access minutes based on the data reported by the customer as set forth in 2.3.11 preceding (Jurisdictional Reports), except where the Telephone Company is billing according to actuals by jurisdiction. Interstate Switched Access Service access minutes will, after adjustment as set forth in 3.6.4 preceding (Resale), when necessary, be used to determine Carrier Common Line Charges as set forth in 3.8.5 following.

(D)

(D)

ACCESS SERVICE

3. Carrier Common Line Access Service (Cont'd)

(D)

(D)

ISSUE DATE:
January 30, 2014

Issued Under Transmittal No. 51
Vice President-Regulatory Operations
100 CenturyLink Drive
Monroe, Louisiana 71203

EFFECTIVE DATE:
February 14, 2014

ACCESS SERVICE

3. Carrier Common Line Access Service (Cont'd)

(D)

(D)

ISSUE DATE:
January 30, 2014

Issued Under Transmittal No. 51
Vice President-Regulatory Operations
100 CenturyLink Drive
Monroe, Louisiana 71203

EFFECTIVE DATE:
February 14, 2014

ACCESS SERVICE

3. Carrier Common Line Access Service (Cont'd)

(D)

(D)

ISSUE DATE:
January 30, 2014

Issued Under Transmittal No. 51
Vice President-Regulatory Operations
100 CenturyLink Drive
Monroe, Louisiana 71203

EFFECTIVE DATE:
February 14, 2014

ACCESS SERVICE

3. Carrier Common Line Access Service (Cont'd)

3.9 Rates and Charges (Cont'd)

State	Rates per Access Minute	
	Terminating	Originating
Florida	\$0.000000	\$0.000000
Minnesota	0.000000	0.000000
Nebraska	0.000000	0.000000
Nevada	0.000000	0.000000
Oregon	0.000000	0.000000
Washington	0.000000	0.000000
Wyoming	0.000000	0.000000

(D)
 (D)
 (D)
 (D)
 (D)
 (D)
 (D)

Material deleted from this page now appears in Brightspeed Local Operating Companies Tariff F.C.C. NO. 4.

(D)
 (N)
 (N)

ISSUE DATE:
 September 19, 2022

Issued Under Transmittal No. 125
 Vice President-Regulatory Operations
 100 CenturyLink Drive
 Monroe, Louisiana 71203

EFFECTIVE DATE:
 October 4, 2022

ACCESS SERVICE

3. Carrier Common Line Access Service (Cont'd)

(D)

(D)

ISSUE DATE:
January 30, 2014

Issued Under Transmittal No. 51
Vice President-regulatory Operations
100 CenturyLink Drive
Monroe, Louisiana 71203

EFFECTIVE DATE:
February 14, 2014

ACCESS SERVICE

4. End User Access Service

The Company will provide End User Access Service (End User Access) to end users* who obtain local exchange service from the Company under its general and/or local exchange tariffs. End User Access Service consists of Subscriber Line Charges (SLC), Access Recovery Charge (ARC), Line Port Charges (LPC), Presubscribed Interexchange Carrier Charges (PICC) and Federal Universal Service Fund (USF) end user charges. End users who obtain local exchange service from the Company under its general and/or local exchange tariffs are subject to the SLC, ARC, LPC and USF regulations. Interexchange carriers who furnish interstate telecommunications to end users are subject to the Presubscribed Interexchange Carrier Charge (PICC) regulations. End users that choose not to select an interexchange carrier for their local exchange service are subject to the PICC regulations.

4.1 General Description

End User Access Service as described in this section relates to SLC, ARC, LPC, PICC and USF regulations for the use by an end user of an end user common line, an interstate WATS Service or an intrastate WATS Service used to originate or terminate interstate calls.

Use of a subscriber line is provided twenty-four (24) hours a day, seven (7) days a week.

4.2 Limitations

- (A) A telephone number is not provided with End User Access.
- (B) Detail billing is not provided with End User Access.
- (C) Directory listings are not included with End User Access.
- (D) Intercept arrangements are not included with End User Access.
- (E) The federal Lifeline Assistance Program is designed to provide a credit to monthly end user access charges for qualifying low income residential subscribers. When a carrier is designated as an eligible telecommunications carrier for the Lifeline Assistance Program and when an eligible residential end user qualifies for the Lifeline Assistance Program in association with local residential exchange service of that carrier, the SLC and ARC Residence rate as set forth in 4.7(A)(1) and 4.7(E) following are waived.

* For purposes of this section, the term end user also includes alternative local exchange carriers (ALECs) that are certified to resell local exchange telecommunications services.

ACCESS SERVICE

4. End User Access Service (Cont'd)4.3 Undertaking of the Company (T)

The Company will provide use of End User Access at rates and charges as set forth in 4.7 following, as follows: (T)

(A) Subscriber Line Charge (SLC) (C)

(1) Use of a subscriber line by an end user in connection with interstate Access Services provided under this tariff. Such use will be provided when the end user obtains local exchange service. (C)

(2) The Company will be responsible for contacts and arrangements with customers for the billing of End User Access rates. (T)

(3) Use of a subscriber line by an End User for access for MTS/WATS-type, operator-DDD, operator-person, collect, third number, credit card, and/or other like calls. (C)

(4) Use of a subscriber line by a Customer for access to an interstate service arrangement (e.g., Toll Free Code Service, NPA + 555 + 1212 service, 900 Service, interstate or intrastate INWATS and OUTWATS Service, and other similar service arrangements). (C)

(5) Use of a subscriber line requires the facilities at the End User and IC premises to have the necessary on-hook and off-hook supervision. (C)

(B) Access Recovery Charge (ARC)

The ARC is assessed when an end user or reseller obtains local exchange service from the Company, and is a per month rate that is assessed to the end user or reseller of the associated local exchange service. (T)

ISSUE DATE:
September 14, 2018

Issued Under Transmittal No. 102
Vice President-Regulatory Compliance & Analytics
100 CenturyLink Drive
Monroe, Louisiana 71203

EFFECTIVE DATE:
October 1, 2018

ACCESS SERVICE

4. End User Access Service (Cont'd)

4.4 Obligations of the End User

- (A) When the end user is a Radio Common Carrier (RCC), or a Maritime Radio Common Carrier (MRCC), it shall designate whether the local exchange services it is provided by the Company are used as access lines for its services or used as administrative lines. (T)
- (B) When the end user is provided with a local exchange service which is not identified as Centrex, Business or Residence service, it shall provide the Company any requested information necessary for the Company to determine the appropriate charges. (T)

4.5 Payment Arrangements and Credit Allowances

(A) Minimum Period

The minimum period for which End User Access is provided to an end user and for which charges are applicable is the same as that in the general and/or local exchange tariffs for the associated local exchange telephone service.

(B) Payment of Rates, Charges and Deposits

The regulations as set forth in Section 2 apply to Customers provided with End User Access.

ISSUE DATE:
September 14, 2018

Issued Under Transmittal No. 102
Vice President-Regulatory Compliance & Analytics
100 CenturyLink Drive
Monroe, Louisiana 71203

EFFECTIVE DATE:
October 1, 2018

ACCESS SERVICE

4. End User Access Service (Cont'd)

4.5 Payment Arrangements and Credit Allowances (Cont'd)

(C) Cancellation of Application

End User Access is cancelled when the order for the associated local telephone exchange service is cancelled. No cancellation charges apply.

(D) Changes to Orders

When changes are made to orders for the local exchange service associated with End User Access, any necessary changes will be made for End User Access. No charges will apply.

(E) Allowance for Interruptions

When there is an interruption to a common line, requested End User Access credit allowances for interruptions will be provided as set forth for credit allowance for interruptions in 2.4.4 preceding.

ISSUE DATE:
February 28, 2011

Issued Under Transmittal No. 1
Vice President-Regulatory Operations
100 CenturyLink Drive
Monroe, Louisiana 71203

EFFECTIVE DATE:
March 1, 2011

ACCESS SERVICE

4. End User Access Service (Cont'd)4.6 Rate Regulations

SLC, ARC and USF per month rates will be billed to the end user of the associated local exchange service. PICC per-line rates will be billed to the presubscribed inter-exchange carrier of the associated local exchange service. In the event that the end user chooses not to presubscribe to an interexchange carrier, or has no interexchange carrier selection option, (e.g. individual direct inward dialing (DID) lines), the PICC will be billed to the end user. The rate applications are described below. (C)

(A) The SLC and ARC residence subscriber rates are assessed on a Primary and Non-Primary basis. (C)

The SLC and ARC residence subscriber rate regulations are designated as either primary or non-primary. The primary rate is assessed to the residential subscriber line which is any or all of the following: 1) the only line provided at that service location; or 2) the line designated as primary by the billed party or parties at that service location at the point of ordering the service. In most cases only one line at a service location can be classified as primary, all others are considered to be non-primary. These charges will be waived for Residence customers who receive Lifeline Assistance Program benefits. (C)

(B) When an end user is provided more than one local business exchange service in a state by the same Company and when the local business exchange service is provided as a multi-party service under the general and/or local exchange service tariffs, each party is deemed to be a user of an SLC and ARC and the SLC and ARC Multi-line Business Subscriber - line or trunk rate and the PICC Multi-line Business rate for the number of parties involved as set forth in 4.7(A)(3), 4.7 (B)(1) and 4.7 (E), following, applies to each such party. (T)
(C)

ISSUE DATE:
September 14, 2018

Issued Under Transmittal No. 102
Vice President-Regulatory Compliance & Analytics
100 CenturyLink Drive
Monroe, Louisiana 71203

EFFECTIVE DATE:
October 1, 2018

ACCESS SERVICE

4. End User Access Service (Cont'd)4.6 Rate Regulations (Cont'd)

- (C) When a payphone service provider is provided a pay telephone line under the general and/or local exchange service tariffs, the SLC and ARC Multi-line Business Subscriber - line or trunk rate as set forth in 4.7(A)(3) and 4.7(E), following, applies to each pay telephone line. Effective October 1, 2003, the PICC is not assessed on pay telephone lines. (C)
- (D) When an end user is provided more than one local business exchange service in a state by the same Company and when the local business exchange service is provided under the general and/or local exchange service tariffs and is not covered by (B) and (C) preceding or (L) following, the SLC and ARC Multi-line Business Subscriber - line or trunk rate and the PICC Multi-line Business rate as set forth in 4.7(A)(3), 4.7(B)(1) and 4.7(E), following, applies to each such local business exchange service. (T) (C)
- (E) When an end user is provided a single local business exchange service in a state by the same Company and when the local business exchange service is provided as a multi-party service under the general and/or local exchange service tariffs, each party is deemed to be a user of a SLC and ARC and the SLC and ARC Single Line Business Subscriber - line or trunk rate as set forth in 4.7(A)(2) and (E), following, applies to each such party. (T) (C)
- (F) When an end user is provided only single local business exchange service in a state by the same Company under the general and/or local exchange service tariffs, the SLC and ARC Single Line Business Subscriber - line or trunk rate as set forth in 4.7(A)(2) and 4.7(E), following, applies to each single line business. (T) (C)
- (G) When an end user is provided a local residence exchange service in a state by the same Company and when the local residence exchange service is provided as a multi-party service under the general and/or local exchange service tariffs, each party is subject to the SLC and ARC Residence Subscriber rates on a Primary and Non-Primary basis as set forth in 4.7(A)(1) and 4.7(E), following. These charges will be waived for Residence customers who receive Lifeline Assistance Program benefits. (T) (C)

ISSUE DATE:
September 14, 2018

Issued Under Transmittal No. 102
Vice President-Regulatory Compliance & Analytics
100 CenturyLink Drive
Monroe, Louisiana 71203

EFFECTIVE DATE:
October 1, 2018

ACCESS SERVICE

4. End User Access Service (Cont'd)4.6 Rate Regulations (Cont'd)

- (H) When an end user is provided a local residence exchange service in a state by the same Company under the general and/or local exchange service tariffs, the SLC and ARC Residential Subscriber - line or trunk rate as set forth in 4.7(A)(1) and 4.7 (E), following, applies to each such local residence exchange service on a Primary and Non-Primary basis. These charges will be waived for Residence customers who receive Lifeline Assistance Program benefits. (C)
- (I) For each local exchange service provided as Remote Call Forwarding (RCF) residential service or Remote Call Forwarding business service, under the general and/or local exchange service tariffs, SLC and ARC charges do not apply. (C)
- (J) When an end user is provided a local exchange service which is not identified as Centrex, Business or Residence service (e.g., Farm Service, Local Service), the Company will designate the service as either Centrex, Business or Residence Service. The SLC, ARC and PICC charges as set forth in 4.7 following for Business Subscriber or Residence Subscriber in accordance with the designation will apply. (T)
(C)
- (K) Reserved For Future Use

ISSUE DATE:
September 14, 2018Issued Under Transmittal No. 102
Vice President-Regulatory Compliance & Analytics
100 CenturyLink Drive
Monroe, Louisiana 71203EFFECTIVE DATE:
October 1, 2018

ACCESS SERVICE

4. End User Access Service (Cont'd)

4.6 Rate Regulations (Cont'd)

(K) Reserved For Future Use (Cont'd)

(T)

(D)

(D)

ISSUE DATE:
November 17, 2016

Issued Under Transmittal No. 88
Vice President-Regulatory Operations
100 CenturyLink Drive
Monroe, Louisiana 71203

EFFECTIVE DATE:
December 2, 2016

ACCESS SERVICE

4. End User Access Service (Cont'd)4.6 Rate Regulations (Cont'd)

- (L) When an end user is provided with Centrex CO or Centrex CO-like services under the general and/or local exchange service tariffs of the Company, the SLC and ARC Multi-line Business rate and the PICC Centrex CO or CO-like rate as set forth in 4.7(A)(3), 4.7(B)(2) and 4.7(E), following, applies for each business line or trunk. Centrex CO and Centrex CO-like services (1) are provided using switches located at Company central offices and (2) link Customer main stations to the Company switch with subscriber loops. (C) (T)
- (M) For each local exchange service used only as a path for the transmission of Radio Common Carrier (RCC) traffic between the Company serving wire center and the RCC's radio equipment, SLC, ARC and PICC rates do not apply. SLC, ARC and PICC rates will apply to the Radio Common Carrier's local exchange service used for administrative purposes. This shall also include those Radio Common Carriers providing maritime service under Part 81 of the FCC Rules and Regulations. (T) (C)
- (N) When an end user is provided an Integrated Services Digital Network/ Primary Rate Interface (ISDN/PRI) or Enhanced Service Provider (ESP) link arrangement under the general and/or local exchange service tariffs of the Company, the SLC and ARC Multi-line Business rate and the PICC Multi-line Business rate as set forth in 4.7(A)(3), 4.7(B)(1) and 4.7(E), following, is multiplied by five and applies for each such ISDN/PRI arrangement. (C)
- (O) When an end user is provided Integrated Services Digital Network/Basic Rate Interface (ISDN/BRI), the SLC and ARC Non-Primary Residence subscriber rates as set forth in 4.7(A)(1) and 4.7(E) are assessed for each such facility. (C)
- (P) When an end user is provided an ISDN line, the Line Port Charge (LPC) as set forth in 4.7(C) following will be assessed per ISDN line. The LPC recovers the additional cost of the line card.

ACCESS SERVICE

4. End User Access Service (Cont'd)

4.6 Rate Regulations (Cont'd)

- (Q) When a business end user is provided derived voice channels over a 2-wire facility used in conjunction with Digital Subscriber Line Technology, the SLC and ARC Multi-line Business Subscriber line or trunk rate and the PICC Multi-line Business rate set forth in 4.7 following shall apply on the main telephone number of each facility on which derived voice channels are provided. SLC and ARC charges shall not apply on the individual derived voice channels. (C)

ISSUE DATE:
September 14, 2018

Issued Under Transmittal No. 102
Vice President-Regulatory Compliance & Analytics
100 CenturyLink Drive
Monroe, Louisiana 71203

EFFECTIVE DATE:
October 1, 2018

ACCESS SERVICE

4. End User Access Service (Cont'd)4.6 Rate Regulations (Cont'd)

- (R) The Federal Universal Service Fund (USF) end user charge is designed to recover all contributions made by the Company to federally mandated universal service support mechanisms. Federal USF end user charges will not apply to end users who qualify for the Lifeline Assistance Program or to resellers of the Company's local exchange services (i.e., carriers that purchase services for resale and certify to the Company that they contribute to support universal service).

End users who obtain local exchange service from the Company under its general and/or local exchange tariffs will be assessed a monthly, flat-rated Federal USF end user charge, as set forth in 4.7(D) following.

For end user customers with direct switched dedicated or special access billing, the monthly Federal USF end user charge will be applied at the billing account level. The applicable monthly charge will be determined by multiplying the quarterly USF contribution factor prescribed by the Federal Communications Commission, as set forth below, by the end user's total monthly switched dedicated or special access charges billed under this Tariff. Customers may certify exemption from Federal USF charges at the Access Carrier Name Abbreviation (ACNA), Billing Access Number (BAN) or circuit level. Certification at the ACNA level will exempt all BANs under that ACNA. Customers must certify exemption from Federal USF end user charges on an annual basis.

For all other interstate access services provided to end users (i.e., Presubscribed Interexchange Carrier Charges (PICC), Presubscription Change Charges), the monthly Federal USF end user charge will be determined by multiplying the quarterly USF contribution factor, as set forth below, by the total of the end user customer's monthly charges billed for services under this Tariff.

USF Contribution Factor	0.346 (I)	(C)
-------------------------	------------------	-----

ACCESS SERVICE

4. End User Access Service (Cont'd)4.7 Rates and Charges(A) Subscriber Line Charge (SLC)

Monthly Rate (Individual line or trunk, each)				
State	Residence		Business	
	Primary	Non-Primary ISDN BRI	Single Line	Multi-Line ISDN PRI ^[1] Centrex
Florida	\$6.50	\$7.00	\$6.50	\$9.20
Minnesota	\$6.50	\$7.00	\$6.50	\$9.20
Nebraska	\$6.50	\$7.00	\$6.50	\$9.20
Nevada	\$6.14 (I)	\$6.14 (I)	\$6.14 (I)	\$6.15 (I)
Oregon	\$6.50	\$7.00	\$6.50	\$9.20
Washington	\$6.50	\$7.00	\$6.50	\$9.20
Wyoming	\$6.50	\$7.00	\$6.50	\$9.20

^[1] For ISDN-PRI, multiply the SLC rate times five for each T-1 facility.

ISSUE DATE:
September 15, 2023

Issued Under Transmittal No. 129
Vice President-Regulatory Operations
100 CenturyLink Drive
Monroe, Louisiana 71203

EFFECTIVE DATE:
October 1, 2023

ACCESS SERVICE

4. End User Access Service (Cont'd)

4.7 Rates and Charges (Cont'd)

(A) Subscriber Line Charge (SLC) (Cont'd)

(M)

(M)

(M) – Material moved to Page 4-12.

ISSUE DATE:
December 17, 2020

Issued Under Transmittal No. 114
Vice President-Public Policy & Compliance
100 CenturyLink Drive
Monroe, Louisiana 71203

EFFECTIVE DATE:
December 1, 2021

ACCESS SERVICE

4. End User Access Service (Cont'd)

4.7 Rates and Charges (Cont'd)

(A) Subscriber Line Charge (SLC) (Cont'd)

(M)

(M)

(M) – Material moved to Page 4-12.

ISSUE DATE:
December 17, 2020

Issued Under Transmittal No. 114
Vice President-Public Policy & Compliance
100 CenturyLink Drive
Monroe, Louisiana 71203

EFFECTIVE DATE:
December 1, 2021

ACCESS SERVICE

4. End User Access Service (Cont'd)

4.7 Rates and Charges (Cont'd)

(B) Presubscribed Interexchange Carrier Charges (PICC)

(1) Multi-Line Business Subscriber,
per line or trunk*

	<u>Rate per Month</u>	
Florida	\$0.00	(D)
		(D)
Minnesota	\$0.00	(D)
Nebraska	\$0.00	(D)
Nevada	\$0.00	(D)
		(D)
Oregon	\$0.00	(D)
		(D)
		(D)
Washington	\$0.00	(D)
Wyoming	\$0.00	(D)

* For ISDN/PRI, multiply the Federal USF End User Surcharge rate by five for each T-1 facility.

Material deleted from this page now appears in Brightspeed Local Operating Companies Tariff F.C.C. NO. 4.

ISSUE DATE:
September 19, 2022

Issued Under Transmittal No. 125
Vice President-Regulatory Operations
100 CenturyLink Drive
Monroe, Louisiana 71203

EFFECTIVE DATE:
October 4, 2022

(D)

(N)
(N)

ACCESS SERVICE

4. End User Access Service (Cont'd)

4.7 Rates and Charges (Cont'd)

(B) Presubscribed Interexchange Carrier Charges (PICC) (Cont'd)

(2) Centrex CO and CO-like Subscriber,
 per line or trunk

	Monthly Rates		
	Includes 1-9 Centrex <u>Centrex Lines</u>	Per Line Over 9 <u>Centrex Lines</u>	
Florida	\$0.00	\$0.00	(D)
			(D)
Minnesota	\$0.00	\$0.00	(D)
Nebraska	\$0.00	\$0.00	(D)
Nevada	\$0.00	\$0.00	(D)
			(D)
Oregon	\$0.00	\$0.00	(D)
			(D)
			(D)
Washington	\$0.00	\$0.00	(D)
Wyoming	\$0.00	\$0.00	(D)

Material deleted from this page now appears in Brightspeed Local Operating Companies Tariff F.C.C. NO. 4.

ISSUE DATE:
 September 19, 2022

Issued Under Transmittal No. 125
 Vice President-Regulatory Operations
 100 CenturyLink Drive
 Monroe, Louisiana 71203

EFFECTIVE DATE:
 October 4, 2022

(N)
 (N)

(D)

ACCESS SERVICE

4. End User Access Service (Cont'd)

4.7 Rates and Charges (Cont'd)

(C) Line Port Charge (LPC)

(3) Multi-Line Business Subscriber,
 - per line or trunk

	<u>Rate per Month</u>	
Florida	\$0.73	(D)
		(D)
Minnesota	\$0.83	(D)
Nebraska	\$0.83	(D)
Nevada	\$0.69	(D)
Oregon	\$0.73	(D)
		(D)
Washington	\$0.73	
Wyoming	\$0.83	

Material deleted from this page now appears in Brightspeed Local Operating Companies Tariff F.C.C. NO. 4. (N)
 (N)

ISSUE DATE:
 September 19, 2022

Issued Under Transmittal No. 125
 Vice President-Regulatory Operations
 100 CenturyLink Drive
 Monroe, Louisiana 71203

EFFECTIVE DATE:
 October 4, 2022

ACCESS SERVICE

4. End User Access Service (Cont'd)4.7 Rates and Charges (Cont'd)(D) Federal Universal Service Fund (USF) End User Surcharge

Monthly Rate (Individual line or trunk, each)			
	Residence		Business
State	Primary	Non-Primary ISDN BRI	Single Line
Florida	\$2.25 (I)	\$2.42	\$2.25 (I)
Minnesota	\$2.25 (I)	\$2.42	\$2.25 (I)
Nebraska	\$2.25 (I)	\$2.42	\$2.25 (I)
Nevada	\$2.12	\$2.12	\$2.12
Oregon	\$2.25 (I)	\$2.42	\$2.25 (I)
Washington	\$2.25 (I)	\$2.42	\$2.25 (I)
Wyoming	\$2.25 (I)	\$2.42	\$2.25 (I)

ISSUE DATE:
December 15, 2023Issued Under Transmittal No. 130
Vice President-Regulatory Operations
100 CenturyLink Drive
Monroe, Louisiana 71203EFFECTIVE DATE:
January 1, 2024

ACCESS SERVICE

4. End User Access Service (Cont'd)4.7 Rates and Charges (Cont'd)(D) Federal Universal Service Fund (USF) End User Surcharge (Cont'd)

Monthly Rate (Individual line or trunk, each)			
State	Business		
	Multi-Line [1]	Centrex Line	Payphone Service Provider
Florida	\$4.02 (I)	\$0.50	\$3.18 (I)
Minnesota	\$3.30 (I)	\$0.50	\$3.18 (I)
Nebraska	\$3.59	\$0.50	\$3.18 (I)
Nevada	\$2.74 (I)	\$0.50	\$2.13 (I)
Oregon	\$3.31 (I)	\$0.50	\$3.18 (I)
Washington	\$8.38 (I)	\$0.50	\$3.18 (I)
Wyoming	\$3.47 (I)	\$0.50	\$3.18 (I)

[1] For ISDN/PRI, multiply the Federal USF End User Surcharge rate by five for each T-1 facility.

ISSUE DATE:
December 15, 2023

Issued Under Transmittal No. 130
Vice President-Regulatory Operations
100 CenturyLink Drive
Monroe, Louisiana 71203

EFFECTIVE DATE:
January 1, 2024

ACCESS SERVICE

4. End User Access Service (Cont'd)

4.7 Rates and Charges (Cont'd)

(D) Federal Universal Service Fund (USF) End User Surcharge (Cont'd)

(M)

(M)

(M) – Material moved to Page 4-19.

ISSUE DATE:
December 17, 2020

Issued Under Transmittal No. 114
Vice President-Public Policy & Compliance
100 CenturyLink Drive
Monroe, Louisiana 71203

EFFECTIVE DATE:
December 1, 2021

ACCESS SERVICE

4. End User Access Service (Cont'd)4.7 Rates and Charges (Cont'd)(E) Access Recovery Charge (ARC) ^[1]

The rates for the ARC, where applicable, are provided below. States with more than one exchange-specific exception are indicated with two asterisks (***) and the exceptions are found on Pages 4-21.2 through 4-22.

STATE	EXCHANGE	MONTHLY RATES (Per Line or Trunk)		
		Residence	Business	
		Primary, Non- Primary ^[2]	Single Line ISDN BRI	Multi-Line Centrex ^[3] ISDN PRI
FLORIDA	All Exchanges	\$0.00	\$2.50	\$3.00
MINNESOTA	Altura	\$0.71	\$2.50	\$3.00
	Howard Lake	\$0.00	\$2.50	\$3.00
	Lewiston	\$0.82	\$2.50	\$3.00
	Norwood	\$0.18	\$2.50	\$3.00
	All other exchanges	\$2.50	\$2.50	\$3.00
NEBRASKA	All Exchanges	\$0.00	\$2.50	\$3.00
NEVADA	Las Vegas	\$0.00	\$2.50	\$4.88 (I)
	Henderson	\$0.00	\$2.50	\$4.88 (I)
	All Exchanges	\$0.00	\$2.50	\$4.88 (I)
OREGON	Arlington	\$0.00	\$2.50	\$3.00
	Diamond Lake	\$0.00	\$2.50	\$3.00
	Fish Lake	\$0.00	\$2.50	\$3.00
	All other exchanges	\$0.00	\$2.50	\$3.00

^[1] The ARC does not apply to customers purchasing CenturyLink's Pure Broadband Bundle.

^[2] The ARC will be waived for Residence customers who receive Lifeline Assistance Program benefits.

^[3] Centrex customers that have a Dedicated Centrex Common Block are exempt from the ARC.

ISSUE DATE:
September 15, 2023

Issued Under Transmittal No. 129
Vice President-Regulatory Operations
100 CenturyLink Drive
Monroe, Louisiana 71203

EFFECTIVE DATE:
October 1, 2023

ACCESS SERVICE

4. End User Access Service (Cont'd)

4.7 Rates and Charges (Cont'd)

(E) Access Recovery Charge (ARC) ^[1] (Cont'd)

The rates for the ARC, where applicable, are provided below. States with more than one exchange-specific exception are indicated with two asterisks (“**”) and the exceptions are found on Pages 4-21.2 through 4-22.

STATE	EXCHANGE	MONTHLY RATES (Per Line or Trunk)		
		Residence	Business	
		Primary, Non- Primary ^[2]	Single Line ISDN BRI	Multi-Line Centrex ^[3] ISDN PRI
WASHINGTON	Stevenson	\$0.00	\$2.50	\$3.00
	All other exchanges	\$0.00	\$2.50	\$3.00
WYOMING	All exchanges	\$0.00	\$2.50	\$3.00

(D)
 ———
 (D)

[1] The ARC does not apply to customers purchasing CenturyLink's Pure Broadband Bundle.
 [2] The ARC will be waived for Residence customers who receive Lifeline Assistance Program benefits.
 [3] Centrex customers that have a Dedicated Centrex Common Block are exempt from the ARC.

Material deleted from this page now appears in Brightspeed Local Operating Companies Tariff F.C.C. NO. 9. (N)
 (N)

ACCESS SERVICE

4. End User Access Service (Cont'd)

4.7 Rates and Charges (Cont'd)

(E) Access Recovery Charge (ARC) ^[1] (Cont'd)

The Residence and Non-Primary Residence ARC exchange specific rates apply to the following exchanges/companies:

None

(N)

(D)

(D)

**Material deleted from this page now appears in Brightspeed Local Operating Companies
Tariff F.C.C. NO. 9.**

(N)

(N)

ISSUE DATE:
September 19, 2022

Issued Under Transmittal No. 125
Vice President-Regulatory Operations
100 CenturyLink Drive
Monroe, Louisiana 71203

EFFECTIVE DATE:
October 4, 2022

ACCESS SERVICE

4. End User Access Service (Cont'd)

4.7 Rates and Charges (Cont'd)

(E) Access Recovery Charge (ARC)^[1] (Cont'd)

(D)

.(M) – Material moved to Pages 4-21.2.

(D)

ISSUE DATE:
June 16, 2021

Issued Under Transmittal No. 118
Vice President-Public Policy & Compliance
100 CenturyLink Drive
Monroe, Louisiana 71203

EFFECTIVE DATE:
July 1, 2021

ACCESS SERVICE

4. End User Access Service (Cont'd)

4.7 Rates and Charges (Cont'd)

(E) Access Recovery Charge (ARC) * (Cont'd)

(D)

(D)

(M) – Material moved to/from Pages 4-21 to 4.21.3.

ISSUE DATE:
December 17, 2020

Issued Under Transmittal No. 114
Vice President-Public Policy & Compliance
100 CenturyLink Drive
Monroe, Louisiana 71203

EFFECTIVE DATE:
December 1, 2021

ACCESS SERVICE

4. End User Access Service (Cont'd)

4.7 Rates and Charges (Cont'd)

(E) Access Recovery Charge (ARC) * (Cont'd)

(D)

* The ARC Charge does not apply to customers purchasing CenturyLink's Pure Broadband Bundle.

(D)

ISSUE DATE:
June 17, 2019

Issued Under Transmittal No. 106
Vice President-Regulatory Compliance & Analytics
100 CenturyLink Drive
Monroe, Louisiana 71203

EFFECTIVE DATE:
July 2, 2019

ACCESS SERVICE

5. Ordering Options for Switched and Special Access Service

For Special Access Ordering, only Non-Competitive End-User Channel Terminations (EUCTs) are filed as part of this tariff. Ordering for other Special Access Services to complete the circuit are outside this tariff and can be accessed at the Company's website or Company's other designated location. (N)

5.1 General

This section sets forth the regulations and order related charges of Access Orders for Switched Access Service(s) and Special Access Non-Competitive End User Channel Termination(s) (EUCT). These charges are in addition to other applicable charges as set forth in other sections of this tariff. (C)

An Access Order is an order to provide the customer with Switched Access Service or Special Access Non-Competitive EUCT or to provide changes to existing services. (C)

The rates and charges in this section apply to Switched Access and Non-Competitive EUCT Special Access customers served by the Company, except for Switched Access customers in the pricing flexibility Metropolitan Statistical Areas (MSAs) listed in Section 23.3 following. The rates and charges for Switched Access in the pricing flexibility MSAs are set forth in Section 23.4 following. (C)

5.1.1 Ordering Conditions

A customer may order any number of services of the same type and between the same premises on a single Access Order. All details for services for a particular order must be identical except for those for multipoint service.

The customer shall provide all information necessary for the Company to provide and bill for the requested service. In addition to the order information required in 5.2 following, the customer must also provide: (C)

- Customer name and premises address(es).
- Billing name and address (when different from customer name and address).
- Customer's contact name(s) and telephone number(s) for the following provisioning activities: order negotiation, order confirmation, interactive design, installation and billing.

ISSUE DATE:
October 17, 2017

Issued Under Transmittal No. 96
Vice President-Regulatory Operations
100 CenturyLink Drive
Monroe, Louisiana 71203

EFFECTIVE DATE:
November 1, 2017

ACCESS SERVICE

5. Ordering Options for Switched and Special Access Service (Cont'd)

5.1 General (Cont'd)

5.1.1 Ordering Conditions (Cont'd)

Orders for Feature Group A Switched Access Service must specify the number of lines required.

Orders for Feature Groups B, C and D Switched Access Service must specify the number of trunks required. In addition, the order must indicate whether the Switched Transport ordered is for Entrance Facilities, Direct-Trunked Transport and/or Tandem-Switched Transport. For Direct-Trunked Transport, the order must specify the facility Hubs involved, channel type, channel interface, and any options desired.

ISSUE DATE:
February 28, 2011

Issued Under Transmittal No. 1
Vice President-Regulatory Operations
100 CenturyLink Drive
Monroe, Louisiana 71203

EFFECTIVE DATE:
March 1, 2011

ACCESS SERVICE

5. Ordering Options for Switched and Special Access Service (Cont'd)5.1 General (Cont'd)5.1.2 Provision of Other Services

- (A) In addition to Switched Access Services and Special Access Non-Competitive End User Channel Terminations (EUCTs), other services offered under provisions of this tariff shall be ordered with an Access Order or as set forth in (B) following. The rates and charges for these other services, as set forth in other sections of this tariff, will apply in addition to the ordering charges set forth in this section and the rates and charges for the Access Service with which they are associated. (C)
(C)
- (B) With the agreement of the Company, other services mentioned in (A) preceding may subsequently be added to an Access order at any time, up to and including the service date for an Access Service. When added subsequently, charges for a design change as set forth in 5.2.3(C) following will apply when an engineering review is required. (C)
- (C) Additional Engineering is not an ordering option, but will be applied to an Access Order when the Company determines that Additional Engineering is necessary to accommodate a customer request. Additional Engineering will only be required as set forth in 13.1 following. When it is required, the customer will be so notified and will be furnished with a written statement setting forth the justification for the Additional Engineering as well as an estimate of the charges. If the customer agrees to the Additional Engineering, a firm order will be established. If the customer does not want the service or facilities after being notified that Additional Engineering of Company facilities is required, the order will be withdrawn and no charges will apply. Once a firm order has been established, the total charge to the customer for the Additional Engineering may not exceed the estimated amount by more than 10%. (C)

The regulations, rates and charges for Additional Engineering are as set forth in 13.1 following and are in addition to the regulations, rates and charges specified in this section.

ISSUE DATE:
October 17, 2017

Issued Under Transmittal No. 96
Vice President-Regulatory Operations
100 CenturyLink Drive
Monroe, Louisiana 71203

EFFECTIVE DATE:
November 1, 2017

ACCESS SERVICE

5. Ordering Options for Switched and Special Access Service (Cont'd)5.1 General (Cont'd)5.1.3 Special Construction

The regulations, rates and charges for special construction are set forth in Section 14. following, and are in addition to the regulations, rates and charges specified in this section.

5.1.4 Discontinuance of Service

Orders for discontinuance of service must be received in writing 24 hours in advance of the customer desired disconnect date. The Telephone Company will insure that the service is disconnected on the requested date. No charges will apply after the requested disconnect date, except as defined for minimum periods in 2.4.2 preceding.

5.1.5 Service Rearrangements

If the change involves the rearrangement of an existing Telephone Company provided high capacity service or an existing Telephone Company provided multiplexed high capacity service into a Telephone Company provided high capacity service under an Expanded Interconnection arrangement or vice versa, or from one Telephone Company provided Expanded Interconnection arrangement to another within the same Telephone Company serving wire center, an interconnection rearrangement charge as set forth in Section 17.7(A)(14) or 17.7(B)(9) will apply for each service reconfigured.

ISSUE DATE:
February 28, 2011

Issued Under Transmittal No. 1
Vice President-Regulatory Operations
100 CenturyLink Drive
Monroe, Louisiana 71203

EFFECTIVE DATE:
March 1, 2011

ACCESS SERVICE

5. Ordering Options for Switched and Special Access Service (Cont'd)5.2 Access Order

An Access Order is used by the Company to provide a customer Access Service as follows: (C)

- Switched Access Services as set forth in 6. following,
- Special Access Non-Competitive End User Channel Terminations (EUCTs) as set forth in 7. following, and (C)
- Other Services as set forth in 5.1.2 preceding.

When placing an order for Access Service, the customer shall provide, at a minimum, the following information:

- For Feature Group A Switched Access Service, the customer shall specify the number of lines and the first point of switching (i.e., dial tone office), the directionality of the service and the Switched Transport and Local Switching options desired. In addition, the customer shall also specify which lines are to be arranged in multiline hunt group arrangements and which lines are to be provided as single lines.
- The customer shall also specify that the Feature Group A is to be provided with an extension to a different exchange, if applicable. When such an extension is specified on the order, the customer must also specify the customer's premises in the different exchange with the Switched Access Feature Group A, at which the FGA extension is to be terminated.
- For Feature Group B Switched Access Service, the customer shall specify the number of trunks and the end office when direct routing to the end office is desired or the access tandem switch when routing is desired via an access tandem switch and Switched Transport options and Local Switching options desired. When ordering FGB trunks to an access tandem, the customer must also provide the Company an estimate of the amount of traffic it will generate to and/or from each end office subtending the access tandem to assist the Company in its own efforts to project further facility requirements. In addition, the customer shall also specify for terminating only access minutes whether the trunks are to be arranged in trunk group arrangements or provided as single trunks. The traffic type must also be specified using the same categories as described in 6.1.1(H) following, to enable efficient provisioning and billing functions. (C)

ISSUE DATE:
October 17, 2017

Issued Under Transmittal No. 96
Vice President-Regulatory Operations
100 CenturyLink Drive
Monroe, Louisiana 71203

EFFECTIVE DATE:
November 1, 2017

ACCESS SERVICE

5. Ordering Options for Switched and Special Access Service (Cont'd)5.2 Access Order (Cont'd)

- When FGA is ordered in a multi-Telephone Company provided Extended Area Service area or FGB is ordered in a multi-Telephone Company access tandem arrangement, the customer must provide a copy of the order to all Secondary Exchange Carriers. Each Exchange Carrier will bill as set forth in 2.4.8 preceding.
- For Feature Group C and D Switched Access Service, the customer shall specify the number of trunks and the end office when direct routing to the end office is desired or the access tandem switch when routing is desired via an access tandem switch and the Switched Transport and Local Switching Options desired. When ordering FGC or FGD trunks to an access tandem, the customer must also provide the Telephone Company an estimate of the amount of traffic by type it will generate to and/or from each end office subtending the access tandem to assist the Telephone Company in its own efforts to project further facility requirements. The basic traffic type must also be specified using the same categories as described in 6.1.1(H) following, to enable efficient provisioning and billing functions. When a customer orders FGD, the customer is responsible to assure that sufficient access facilities have been ordered to handle its traffic.

ISSUE DATE:
February 28, 2011

Issued Under Transmittal No. 1
Vice President-Regulatory Operations
100 CenturyLink Drive
Monroe, Louisiana 71203

EFFECTIVE DATE:
March 1, 2011

ACCESS SERVICE

5. Ordering Options for Switched and Special Access Service (Cont'd)5.2 Access Order (Cont'd)

When ordering FGD with SS7 Signaling, in addition to the information listed in 5.2 preceding, the customer shall specify the signaling point codes and trunk circuit identification codes. The customer must also identify the Common Channel Signaling/Signaling System 7 (CCS/SS7) Interconnection Service link associated with the FGD trunk group.

- For Toll Free Code (TFC) Access Service, the customer shall order in the same manner which is set forth preceding for ordering Feature Group D, except that customers may request direct connections to only those end offices and access tandems equipped with TFC Service Switching Point (TFC SSP) functionality. All TFC traffic originating from end offices not equipped with the TFC SSP function must be routed via an access tandem at which the function is available and the TFC Access Service must be ordered accordingly. TFC SSP locations are identified in the National Exchange Carrier Association, Inc. Tariff F.C.C. No. 4. The TFC Access Service customer must advise its Responsible Organization or the TFC Service Management System (TFC SMS) whether the TFC to Local Exchange Number Translation optional feature set forth in Section 6.2.5 following is desired. When the TFC to Local Exchange Number Translation feature is to be delivered to the customer, the customer must provide, via the TFC record in the TFC SMS, the ten digit local exchange number (NPA-NXX-XXXX) to be associated with the translated TFC number. If the TFC to Local Exchange Number Translation optional feature is used, the customer will be unable to determine that such calls originated as TFC dialed calls (e.g., 1+800-NXX-XXXX) unless the customer also orders the Flexible Automatic Number Identification (Flex ANI) optional feature.

ISSUE DATE:
February 28, 2011

Issued Under Transmittal No. 1
Vice President-Regulatory Operations
100 CenturyLink Drive
Monroe, Louisiana 71203

EFFECTIVE DATE:
March 1, 2011

ACCESS SERVICE

5. Ordering Options for Switched and Special Access Service (Cont'd)5.2 Access Order (Cont'd)

- In addition, when a local exchange number is to be delivered to the TFC Access Service customer, the customer must provide to its Responsible Organization or to the TFC Service Management System (TFC SMS), the ten digit local exchange number to be associated with the translated TFC number.

If the customer desires any of the TFC Data Base Optional Service Features described in Section 6.2.5(C), the customer must enter this information into the TFC SMS or provide the information to its Responsible Organization for handling. Optional features are not available to customers of interexchange carriers for use in connection with interLATA TFC services.

- For Interim 500 or 900 Access Service, the customer shall order in the same manner which is set forth preceding for ordering Feature Group D, except that customers may request direct connections to only those end offices designated by the Telephone Company as Interim 500 or 900 Access Service screening offices. Additionally, when new NXX(s) are to be opened in the state, for exchanges served by the Telephone Company, or when existing NXX(s) are to be deleted, and such change is to occur coincident with the service date established for the order, the customer shall provide such information when placing the order for service. If the change is to occur absent the requirement for additional capacity (i.e., quantities of (trunks)), the customer shall notify the Telephone Company of the change as set forth in 6.6.1(C) and 6.6.1(D) following. All 500 or 900 number assignments and administration shall be in accordance with the North American Numbering Plan (NANP).

ISSUE DATE:
February 28, 2011

Issued Under Transmittal No. 1
Vice President-Regulatory Operations
100 CenturyLink Drive
Monroe, Louisiana 71203

EFFECTIVE DATE:
March 1, 2011

ACCESS SERVICE

5. Ordering Options for Switched and Special Access Service (Cont'd)5.2 Access Order (Cont'd)

- For all Special Access Non-Competitive End User Channel Terminations (EUCTs), the customer must specify the customer designated premises or Hubs involved, the type of service (e.g., Video, Voice Grade, High Capacity, etc.), the channel interface, technical specification package and options desired. For multipoint services, the channel interface at each premises may, at the request of the customer, be different but all such interfaces shall be compatible. (C)
- When a customer desires Switched Access Service to an end office that is a remote switching office, the customer must order to the host office which controls the remote switching office since all traffic to and/or from a remote switching office must be routed through the host office. (C)
- For Common Channel Signaling/Signaling System 7 (CCS/SS7) Interconnection Service, the customer must provide the following information to the Company at the time of ordering: (C)
 - Number of access links
 - Link Type
 - Signaling Link Code
 - Customer Signaling Point Code
 - Common Language Location Identifier (CLLI) code of the Company interconnecting Signal Transfer Point (C)
 - Contact telephone number for installation and maintenance of the customer's designated premises

When ordering CCS/SS7 Interconnection Service, the customer will provide an estimate of total annual volume and busy hour busy month volume projected for a period of three years. The forecast should be itemized by message type. The Company will utilize this forecast in its own efforts to project further facility requirements. (C)

ISSUE DATE:
October 17, 2017

Issued Under Transmittal No. 96
Vice President-Regulatory Operations
100 CenturyLink Drive
Monroe, Louisiana 71203

EFFECTIVE DATE:
November 1, 2017

ACCESS SERVICE

5. Ordering Options for Switched and Special Access Service (Cont'd)

5.2 Access Order (Cont'd)

- For Line Information Data Base (LIDB) Access Service, the customer shall provide a LIDB Access Service Request which specifies the originating point codes of the customer's designated Operator Service Systems (OSSs) sending the query or queries, the PIU per originating point code (OPC) of the customer's OSS location, and the desired due date of the order.

LIDB Access service is provided in conjunction with CCS/SS7 Inter-connection Access Service, as set forth in Section 6.1.2(B)(6) following. The customer must arrange for CCS/SS7 Interconnection to **the Telephone Company** interconnecting Signal Transfer Points (**STPs**) in order to utilize LIDB Access Service.

(D)
(D)

- For Operator Transfer Service, the customer must specify the specific states where the customer desires the service to be provided. It is not necessary to order Operator Inward Assistance Service. The customer must specify whether Feature Group B, Feature Group C, or Feature Group D Switched Access Service will be used to interconnect between the OSS Tandem(s) and the customer's premises and whether or not operator functionality, coin station control, or both are to be provided by the customer.

Operator Service System (OSS) Tandem interconnection requirements are specified in Section 16.2 following. Information regarding OSS Tandem locations is contained in National Exchange Carrier Association, Inc. Tariff F.C.C. No. 4.

**Material deleted from this page now appears in Brightspeed Local Operating Companies
Tariff F.C.C. NO. 9.**

(N)
(N)

ISSUE DATE:
September 19, 2022

Issued Under Transmittal No. 125
Vice President-Regulatory Operations
100 CenturyLink Drive
Monroe, Louisiana 71203

EFFECTIVE DATE:
October 4, 2022

ACCESS SERVICE

5. Ordering Options for Switched and Special Access Service (Cont'd)5.2 Access Order (Cont'd)

Special Access Non-Competitive End User Channel Terminations (EUCTs) (C)
 may be ordered for connection with Switched Access Service at Company (C)
 designated WATS Serving Offices (WSOs) and may be ordered separately (C)
 by a customer other than the customer which orders the Switched Access
 Service. For this Special Access Non-Competitive EUCT the customer must (C)
 also specify the type of calling (i.e., originating only or terminating only) for
 which the service is to be provided. Additionally, when the necessary
 screening functions are not provided at the wire center which serves the
 customer's originating or terminating premises, the Company will provide the (C)
 service to the nearest wire center where capacity exists. In these
 circumstances, the customer will be so notified and the order will be changed
 to designate the appropriate premises. No charge will apply for the change.

When Switched Access Service is ordered in trunks, the trunks may be
 determined by the customer in the following manner. For each day the
 customer shall determine the highest number of trunks in use for a single
 hour. The customer shall, for the same hour period (i.e., busy hour), pick the
 twenty consecutive business days in a calendar year which add up to the
 largest number of trunks in use. The customer shall then determine the
 average busy hour trunks by dividing the largest number of trunks in use
 figure, for the same hour period, for the consecutive twenty business day
 period by 20. This computation shall be performed for each end office
 and/or access tandem the customer wishes to serve.

Where the Special Access Service is exempt from the Special Access
 Surcharge as set forth in 7.4.2 following, the customer shall furnish with the
 order the certification as set forth in that section.

ISSUE DATE:
October 17, 2017

Issued Under Transmittal No. 96
 Vice President-Regulatory Operations
 100 CenturyLink Drive
 Monroe, Louisiana 71203

EFFECTIVE DATE:
November 1, 2017

ACCESS SERVICE

5. Ordering Options for Switched and Special Access Service (Cont'd)5.2 Access Order (Cont'd)

Customers may place orders for access services directly or through a designated authorized agent. Prior to placing an order for service, the authorized agent must obtain a signed letter of agency from the access customer. The authorized agent must provide a copy of the letter of agency to the Telephone Company at the time the order is placed.

ISSUE DATE:
February 28, 2011

Issued Under Transmittal No. 1
Vice President-Regulatory Operations
100 CenturyLink Drive
Monroe, Louisiana 71203

EFFECTIVE DATE:
March 1, 2011

ACCESS SERVICE

5. Ordering Options for Switched and Special Access Service (Cont'd)

5.2 Access Order (Cont'd)

5.2.1 Access Order Service Date Intervals

Access Service is provided with one of the following Service Date Intervals:

- Standard Interval
- Negotiated Interval

To the extent the access service can be made available with reasonable effort, the Company will provide the access service in accordance with the customer's requested interval, subject to the following conditions: (C)

(A) Standard Interval

The Company shall publish and make available to all customers a schedule of standard intervals applicable for Switched Access and Special Access Non-Competitive End User Channel Terminations (EUCTs). The schedule specifies the services and quantities that can be provided within the published interval. Individual copies of the Company schedule of Standard Intervals will be made available to customers upon request. (C)

Access service will be installed during the Company's business day. If a customer requests that installation be done outside of normally scheduled working hours, and the Company agrees to this request, the customer will be subject to applicable Additional Labor Charges as set forth in 13.2 following. (C)

ACCESS SERVICE

5. Ordering Options for Switched and Special Access Service (Cont'd)5.2 Access Order (Cont'd)5.2.1 Access Order Service Date Intervals (Cont'd)(B) Negotiated Interval

The Telephone Company will negotiate a service date interval with the customer when:

- (1) There is no Standard Interval for the service;
- (2) The quantity of Access Services ordered exceeds the quantities specified in the standard intervals; or
- (3) The customer requests a service date beyond the applicable Standard Interval service date.

The Telephone Company will offer a service date based on the type and quantity of Access Services the customer has requested. The Negotiated Interval may not exceed by more than six months the Standard Interval Service date, or, when there is no Standard Interval, the Telephone Company offered service date.

All part-time Television and Program Audio services are provided with a Negotiated Interval. Each service is subject to a service inquiry. A service inquiry is a request to the Telephone Company to determine if facilities exist to provide the service ordered and to determine the service date on which service can be provided to the customer.

All services for which rates are applied on an individual case basis are provided with the Negotiated Interval.

ISSUE DATE:
February 28, 2011

Issued Under Transmittal No. 1
Vice President-Regulatory Operations
100 CenturyLink Drive
Monroe, Louisiana 71203

EFFECTIVE DATE:
March 1, 2011

ACCESS SERVICE

5. Ordering Options for Switched and Special Access Service (Cont'd)5.2 Access Order (Cont'd)5.2.2 Access Order Charge

The Access Order Charge is designed to recover the costs associated with processing the customer's order, and will apply on a per order basis. This charge will be in addition to any other applicable nonrecurring charges as set forth in Sections 6, 7, and/or 13 following.

The Access Order Charge does not apply when service rearrangements are ordered in connection with a customer rerouting trunks from tandem to end office or from end office to tandem transport, or when the installation of additional trunks is required for the rearrangement, as set forth in Section 6.7.1(C)(3).

At the time the Customer places an Access Order with the Telephone Company, the Customer will be informed that if the Access Order is canceled prior to installation of access facilities, where installation of access facilities has commenced, a cancellation charge as set forth in Section 5.2.4(B) will apply.

ISSUE DATE:
February 28, 2011

Issued Under Transmittal No. 1
Vice President-Regulatory Operations
100 CenturyLink Drive
Monroe, Louisiana 71203

EFFECTIVE DATE:
March 1, 2011

ACCESS SERVICE

5. Ordering Options for Switched and Special Access Service U-(1) (Cont'd)

5.2 Access Order (Cont'd)

5.2.2 Access Order Charge (Cont'd)

Access Order Charge
 - per order

	Switched Access Charge*	Special Access Non-Competitive End User Channel Termination	(Z)
Florida	\$10.00	\$30.00	(D)
			(D)
Minnesota	\$10.00	\$30.00	(D)
Nebraska	\$10.00	\$30.00	(D)
			(D)
Oregon	\$10.00	\$30.00	(D)
			(D)
Washington	\$10.00	\$30.00	(D)
Wyoming	\$10.00	\$30.00	(D)

* This flat rated charge was calculated based upon a 50/50 split between originating and terminating. The FCC in their FCC 11-161 ICC Transformation order in Section 51.907(D)(1) allowed Price Cap Carriers to use an equal split to divide the charge between originating and terminating elements. When the terminating portion of the rate is reduced and then combined with the originating portion of the rate, a single flat rate is generated for billing purposes.

Material deleted from this page now appears in Brightspeed Local Operating Companies Tariff F.C.C. NO. 9.

ISSUE DATE: September 19, 2022	Issued Under Transmittal No. 125 Vice President-Regulatory Operations 100 CenturyLink Drive Monroe, Louisiana 71203	EFFECTIVE DATE: October 4, 2022
-----------------------------------	--	------------------------------------

(D)
 (N)
 (N)

ACCESS SERVICE

5. Ordering Options for Switched and Special Access Service (Cont'd)5.2 Access Order (Cont'd)5.2.3 Access Order Modifications

The customer may request a modification of its Access Order at any time prior to notification by the Company that service is available for the customer's use. The Company will make every effort to accommodate a requested modification when it is able to do so with the normal work force assigned to complete such an order within normal business hours. If the modification cannot be made with the normal work force during normal business hours, the Company will notify the customer. If the customer still desires the Access Order modification, the Company will schedule a new service date. All charges for Access Order modifications will apply on a per access order basis. (C)
(C)

When Company personnel are dispatched to install a customer's service on the requested service date, and the customer advises the Company personnel that service cannot be accepted at that time, the customer shall be responsible for payment of additional labor charges for the time incurred by Company personnel. The additional labor charges will be applied on per half hour, per technician basis as set forth in 13.2 following. (C)
(C)

Any increase in the number of Special Access Non-Competitive End User Channel Terminations (EUCTs) or Switched Access Service lines, trunks, CCS/SS7 port terminations or LIDB originating point codes (OPCs) will be treated as a new Access Order (for the increased amount only). (C)
(C)

ISSUE DATE:
October 17, 2017

Issued Under Transmittal No. 96
Vice President-Regulatory Operations
100 CenturyLink Drive
Monroe, Louisiana 71203

EFFECTIVE DATE:
November 1, 2017

ACCESS SERVICE

5. Ordering Options for Switched and Special Access Service (Cont'd)

5.2 Access Order (Cont'd)

5.2.3 Access Order Modifications (Cont'd)

(A) Service Date Change

Access Order service dates for the installation of new services or rearrangements of existing services may be changed, but the new service date may not exceed the original service date by more than 60 calendar days. When, for any reason, the customer indicates that service cannot be accepted for a period not to exceed 60 calendar days, the Telephone Company will accordingly delay the start of service. If the customer requested service date is more than 60 calendar days after the original service date, the order will be canceled by the Telephone Company and reissued with the appropriate cancellation charges applied unless the customer indicates that billing for the service is to commence as set forth in 5.2.4(A) following. (C)

A new service date may be established that is prior to the original date specified by the customer if the Telephone Company determines it can accommodate the customer's request without delaying service dates for orders of other customers. (C)

ISSUE DATE:
November 17, 2016

Issued Under Transmittal No. 88
Vice President-Regulatory Operations
100 CenturyLink Drive
Monroe, Louisiana 71203

EFFECTIVE DATE:
December 2, 2016

ACCESS SERVICE

5. Ordering Options for Switched and Special Access Service (Cont'd)5.2 Access Order (Cont'd)5.2.3 Access Order Modifications (Cont'd)(B) Partial Cancellation Charge

Any decrease in the number of ordered Special Access Non-Competitive End User Channel Terminations (EUCTs) or Switched Access Service lines, trunks, CCS/SS7 port terminations or LIDB originating point codes (OPCs) will be treated as a partial cancellation and the charges as set forth in 5.2.4(B) following will apply.

(C)
(C)(C) Design Change Charge

The customer may request a design change to the service ordered. A design change is any change to an Access Order which requires engineering review. An engineering review is a review by Company personnel of the service ordered and the requested changes to determine what changes in the design, if any, are necessary to meet the changes requested by the customer. Design changes include such things as the addition or deletion of optional features or functions or a change in the type of Transport Termination (Switched Access only), type of channel interface, type of Interface Group or technical specification package. Design changes do not include a change of customer premises, end user premises, end office switch, Feature Group type or Special Access Non-Competitive EUCT type. Changes of this nature will require the issuance of a new order and the cancellation of the original order with appropriate cancellation charges applied.

(C)

(C)

ISSUE DATE:
October 17, 2017

Issued Under Transmittal No. 96
Vice President-Regulatory Operations
100 CenturyLink Drive
Monroe, Louisiana 71203

EFFECTIVE DATE:
November 1, 2017

ACCESS SERVICE

5. Ordering Options for Switched and Special Access Service (Cont'd)5.2 Access Order (Cont'd)5.2.3 Access Order Modifications (Cont'd)(C) Design Change Charge (Cont'd)

The Telephone Company will review the requested change, notify the customer whether the change is a design change, if it can be accommodated and if a new service date is required. If the customer authorizes the Telephone Company to proceed with the design change, a Design Change Charge will apply. The Design Change Charge will apply on a per order per occurrence basis, for each order requiring a design change.

If, as a result of the change, the original service date cannot be met without the Telephone Company incurring additional labor, and the Customer provides authorization to the Telephone Company to proceed, then charges as set forth in Section 13 will apply. If the customer is unwilling to pay such costs, the service date must be changed in accordance with (A) preceding as a result of the design change.

ISSUE DATE:
February 28, 2011

Issued Under Transmittal No. 1
Vice President-Regulatory Operations
100 CenturyLink Drive
Monroe, Louisiana 71203

EFFECTIVE DATE:
March 1, 2011

ACCESS SERVICE

5. Ordering Options for Switched and Special Access Service (Cont'd)5.2 Access Order (Cont'd)5.2.3 Access Order Modifications (Cont'd)(D) Expedited Order Charge

An Expedited Order Charge will apply when a customer requests a service date that is earlier than the standard interval date for the following services ordered:

Voice Grade
Program Audio
Video
Digital Data
DS1
DS3

The Telephone Company maintains exclusive right to accept or deny the request to expedite the access service orders. If, upon reviewing availability of equipment and scheduled work load, the Telephone Company agrees to provide service on an expedited basis and the customer accepts this proposal, an expedited order charge will apply.

The request for an earlier service date may be received from the customer prior to the issuance of an access order, or after the access order has been issued but prior to the service date.

If the Telephone Company is subsequently unable to meet an agreed upon expedited service date, no Expedited Order Charge will apply unless the missed service date was caused by the customer.

ISSUE DATE:
February 28, 2011

Issued Under Transmittal No. 1
Vice President-Regulatory Operations
100 CenturyLink Drive
Monroe, Louisiana 71203

EFFECTIVE DATE:
March 1, 2011

ACCESS SERVICE

5. Ordering Options for Switched and Special Access Service (Cont'd)

5.2 Access Order (Cont'd)

5.2.3 Access Order Modifications (Cont'd)

(D) Expedited Order Charge (Cont'd)

In the event the customer cancels an expedited access order, the Expedited Order Charge will apply in addition to cancellation charges as described in 5.2.4 following.

An Expedited Order Charge will not apply to access service orders expedited for Telephone Company reasons.

The Expedited Order Charge will apply per access order, per business day improved from the standard interval date to the in-service date. The rate for an Expedited Order Charge is set forth following.

ISSUE DATE:
February 28, 2011

Issued Under Transmittal No. 1
Vice President-Regulatory Operations
100 CenturyLink Drive
Monroe, Louisiana 71203

EFFECTIVE DATE:
March 1, 2011

ACCESS SERVICE

5. Ordering Options for Switched and Special Access Service U-(1) (Cont'd)

5.2 Access Order (Cont'd)

5.2.3 Access Order Modifications (Cont'd)

(D) Expedited Order Charge (Cont'd)

- Per Access Order, Per Business Day Improved

	<u>Charge</u>	
Florida	\$400.00	(D)
Minnesota	\$400.00	(D)
Nebraska	\$400.00	(D)
Oregon	\$400.00	(D)
Washington	\$400.00	(D)
Wyoming	\$400.00	(D)

Material deleted from this page now appears in Brightspeed Local Operating Companies Tariff F.C.C. NO. 9.
 Start here

ISSUE DATE:
 September 19, 2022

Issued Under Transmittal No. 125
 Vice President-Regulatory Operations
 100 CenturyLink Drive
 Monroe, Louisiana 71203

EFFECTIVE DATE:
 October 4, 2022

(D)
 (N)
 (N)

ACCESS SERVICE

5. Ordering Options for Switched and Special Access Service (Cont'd)5.2 Access Order (Cont'd)5.2.4 Cancellation of an Access Order

(A) A customer may cancel an Access Order for the installation of service at any time prior to notification by the Telephone Company that service is available for the customer's use. The cancellation date is the date the Telephone Company receives written or verbal notice from the customer that the order is to be canceled. If a customer or a customer's end user is unable to accept Access Service within 30 calendar days of the latest agreed upon service date (i.e. firm order confirmation date), the customer has the choice of the following options:

- The Access Order shall be canceled and charges set forth in (B) following will apply, or
- Billing for the service will commence.

In any event, the cancellation date or the date billing is to commence (depending on which option is selected by the customer) shall be the 31st day beyond the latest agreed upon service date (i.e., firm order confirmation date) of the Access Order.

For all orders placed before the effective date of this tariff, December 2, 2016, the preceding ordering options will be in effect. For all orders placed on or after the effective date of this tariff, December 2, 2016, the following ordering options will be in effect.

A customer may cancel an Access Order for the installation of service at any time prior to notification by the Telephone Company that service is available for the customer's use. The cancellation date is the date the Telephone Company receives written or verbal notice from the customer that the order is to be canceled. The verbal notice must be followed by written confirmation within 10 days. If a customer or a customer's end user is unable to accept Access Service within 30 calendar days of the latest agreed upon service date (i.e. firm order confirmation date), the customer has the choice of the following options:

- The Access Order will be canceled and charges set forth in (B) following will apply if the service has not been fully provisioned; or
- The Access Order will be completed and billing for the service will commence if the service has been fully provisioned or the customer has indicated that billing for the service should begin.

(N)

(N)

ISSUE DATE:
November 17, 2016

Issued Under Transmittal No. 88
Vice President-Regulatory Operations
100 CenturyLink Drive
Monroe, Louisiana 71203

EFFECTIVE DATE:
December 2, 2016

ACCESS SERVICE

5. Ordering Options for Switched and Special Access Service (Cont'd)

5.2 Access Order (Cont'd)

5.2.4 Cancellation of an Access Order (Cont'd)

(B) When a customer cancels an Access Order for the installation of service, a Cancellation Charge will apply as follows:

(1) Costs incurred in conjunction with the provision of Switched Access or Special Access Non-Competitive End User Channel Terminations (EUCTs) start on the Firm Order Confirmation date. (C)
(C)

(2) When the customer cancels an Access Order or portion thereof prior to the Firm Order Confirmation date, no charges shall apply.

(3) When the customer cancels an Access Order on or after the Firm Order Confirmation date, a Cancellation Charge will apply.

(4) Calculation of the Cancellation Charge is as follows:

(a) If the customer has requested a Service Date Change beyond the original service date, the resulting additional installation days are included in the service interval.

(b) When counting the number of days in the service interval or the number of days from the Firm Order Confirmation date through the Access Order Cancellation Date, the Firm Order Confirmation date will count as day one.

ISSUE DATE:
October 17, 2017

Issued Under Transmittal No. 96
Vice President-Regulatory Operations
100 CenturyLink Drive
Monroe, Louisiana 71203

EFFECTIVE DATE:
November 1, 2017

ACCESS SERVICE

5. Ordering Options for Switched and Special Access Service (Cont'd)

5.2 Access Order (Cont'd)

5.2.4 Cancellation of an Access Order (Cont'd)

(B) (Cont'd)

(4) (Cont'd)

(c) Except as set forth in (d) following, the Cancellation Charge will be a percentage of all nonrecurring charges, including the Expedited Order Charge where applicable, associated with the access order, or that part of the order being canceled. This percentage is calculated by dividing the number of days from the Firm Order Confirmation date through the Cancellation Date by the number of days in the agreed to service interval. The Cancellation Charge is then developed by multiplying the nonrecurring charges associated with installation of the canceled service by the calculated percentage.

(1)

(D)

(D)

(C) When a customer cancels an order for the discontinuance of service, no charges apply for the cancellation.

(D) If the Telephone Company misses a service date by more than 30 days due to circumstances over which it has direct control (excluding, e.g., acts of God, governmental requirements, work stoppages and civil commotions), the customer may cancel the Access Order without incurring cancellation charges.

(1) The CenturyLink services previously identified on this page are no longer offered under tariff. Effective March 13, 2015, the Commission granted forbearance from dominant carrier regulation of these services.

http://transition.fcc.gov/Daily_Releases/Daily_Business/2015/db0316/DOC-332526A1.pdf

The rates, terms and conditions associated with these services are now available at

<http://www.centurylink.com/Pages/AboutUs/Legal/Tariffs/displayTariffLandingPage.html>

ACCESS SERVICE

5. Ordering Options for Switched and Special Access Service (Cont'd)5.2 Access Order (Cont'd)5.2.5 Selection Of Facilities For Access Orders

- (A) When a customer places an Access Order, it may choose to utilize facilities previously purchased as a facility to a Hub. If the customer has a high capacity interface for use with Switched Access Service Interface Groups 3-9, or has a Special Access Service facility purchased to a Hub, the customer must request that specific channels be used to implement the Access Order. If a facility assignment is not specified by the customer, the Telephone Company will provide the service from available inventory as discussed in 5.3 following.
- (B) For all other Access Orders, the option to request a specific transmission path or channel is not provided except as provided for under Special Facilities Routing as set forth in 11. following.

ISSUE DATE:
February 28, 2011

Issued Under Transmittal No. 1
Vice President-Regulatory Operations
100 CenturyLink Drive
Monroe, Louisiana 71203

EFFECTIVE DATE:
March 1, 2011

ACCESS SERVICE

5. Ordering Options for Switched and Special Access Service (Cont'd)5.2 Access Order (Cont'd)5.2.6 Minimum Period

- (A) Except as set forth in (B), (C), 6.7.2, 7.4.3, 9.4(A) and 13.1.10 following, the minimum period for which Access Service is provided and for which charges are applicable, is one month. (C)
- (B) The minimum period for Switched Access Service Feature Group D is three months.
- (C) The minimum period for part-time Video and Program Audio Special Access Non-Competitive End User Channel Terminations (EUCTs) is one day even though the service will be provided only for the duration of the event specified on the order (e.g., one-half hour, two hours, five hours, etc.). (C)
- (D) Service Rearrangements as set forth in 6.7.1(C)(3) and 7.4.1(C)(3) following for Switched Access and Special Non-Competitive (EUCTs), may be made without a change in minimum period requirements. (C)
(C)
(C)
- (E) Changes other than those identified in 6.7.1(C)(3) or 7.4.1(C)(3) following will be treated as a discontinuance service. All associated nonrecurring charges will apply for the new service. A new minimum period will be established for the new service. The customer will also remain responsible for all outstanding minimum period obligations associated with the disconnected service. (C)

The changes listed below are those which will be treated as a discontinuance and installation of service and for which a new minimum period will be established.

ISSUE DATE:
October 17, 2017

Issued Under Transmittal No. 96
Vice President-Regulatory Operations
100 CenturyLink Drive
Monroe, Louisiana 71203

EFFECTIVE DATE:
November 1, 2017

ACCESS SERVICE

5. Ordering Options for Switched and Special Access Service (Cont'd)

5.2 Access Order (Cont'd)

5.2.6 Minimum Period (Cont'd)

(E) (Cont'd)

- (1) A change of customer of record (i.e., Access Service is provided to and billed to a different entity).
- (2) A move to a different building as set forth in 6.7.5(B) or 7.4.5(B) following.
- (3) A change in type of service (i.e., Switched Access to Special Access, one type of Special Access to another, or one type of Switched Access Feature Group to another except as set forth in 6.7.4 following).
- (4) A change in the type of Special Access Service Non-Competitive End User Channel Termination (EUCT). (C)
(C)
- (5) A change in Switched Access Service or Directory Assistance Service Interface Group.
- (6) Change in Switched Access Service traffic type.
- (7) Change from two-point to multipoint Special Access Non-Competitive EUCTs or from multipoint to two-point Special Access Non-Competitive EUCTs. (C)
(C)
(C)

ISSUE DATE:
October 17, 2017

Issued Under Transmittal No. 96
Vice President-Regulatory Operations
100 CenturyLink Drive
Monroe, Louisiana 71203

EFFECTIVE DATE:
November 1, 2017

ACCESS SERVICE

5. Ordering Options for Switched and Special Access Service (Cont'd)

5.2 Access Order (Cont'd)

5.2.7 Minimum Period Charges

When Access Service is disconnected at the customer's request prior to the expiration of the minimum period, charges are applicable for the balance of the minimum period.

The Minimum Period Charge for services provided with a one month minimum period will be determined as follows:

- (A) For Switched Access Service, the charge for a month or fraction thereof is equal to the applicable minimum monthly charge for the capacity as set forth in 6.7.4 following.
- (B) For Special Access Non-Competitive End User Channel Terminations (EUCTs), the charge for a month or fraction thereof is the applicable monthly rates for the service as set forth in 7.5 following. (C)

The Minimum Period Charge for Feature Group D Switched Access Service will be determined as set forth in 2.4.2 preceding.

The Minimum Period Charge for part-time Video and Program Audio Special Access Non-Competitive EUCTs is the applicable daily rate for the service as set forth in 7.5 following. (C)

All applicable nonrecurring charges for the service will be billed in addition to the Minimum Period Charge.

ACCESS SERVICE

5. Ordering Options for Switched and Special Access Service (Cont'd)5.2 Access Order (Cont'd)5.2.8 Shared Use Facilities

Shared Use (i.e., Switched Access and Special Access Non-Competitive End User Channel Terminations (EUCTs) provided over the same analog or digital high capacity facilities) is allowed. Shared use facilities to a Hub will be ordered and provided as Special Access Service. While shared use is allowed, individual services utilizing these facilities must be ordered either as Switched Access Service or Special Access Non-Competitive EUCTs. When placing the order for the individual service(s), the customer must specify a channel assignment for each service ordered. (C)

5.3 Available Inventory

Available inventory is limited and does not include facilities previously ordered. The Company will make every reasonable effort to maintain sufficient available inventory to provide Access Service in accordance with customers' requested service date intervals. To the extent that service can be provided, Access Orders will be satisfied from available inventory. (C)

5.4 Switched Access Service Minimum Capacity Requirements

5.4.1 When Switched Access Service Access Connections are ordered under Access Orders, they will be provided subject to the minimum capacity provisions set forth in 5.1.1 preceding and in 5.4.2 through 5.4.7 following.

5.4.2 There is no minimum capacity for Interface Groups 1 and 2. The minimum capacity provided for Interface Groups 3 through 9, and for which charges are applicable, are set forth in 5.4.6 following.

ISSUE DATE:
October 17, 2017

Issued Under Transmittal No. 96
Vice President-Regulatory Operations
100 CenturyLink Drive
Monroe, Louisiana 71203

EFFECTIVE DATE:
November 1, 2017

ACCESS SERVICE

5. Ordering Options for Switched and Special Access Service (Cont'd)

5.4 Switched Access Service Minimum Capacity Requirements (Cont'd)

5.4.3 Reserved For Future Use

5.4.4 When a customer requests analog or digital Interface Groups 3 through 9, the customer is required to order at a minimum, sufficient capacity to utilize 70% of the channels.

5.4.5 For the purpose of administering the minimum capacity provisions, Access Orders for Access Connection Interface Groups for different Feature Groups may be grouped together if the facilities provided for all the connections are the same and terminate in the same facilities terminal in the same Telephone Company access tandem or end office.

ISSUE DATE:
February 28, 2011

Issued Under Transmittal No. 1
Vice President-Regulatory Operations
100 CenturyLink Drive
Monroe, Louisiana 71203

EFFECTIVE DATE:
March 1, 2011

ACCESS SERVICE

5. Ordering Options for Switched and Special Access Service (Cont'd)5.4 Switched Access Service Minimum Capacity Requirements (Cont'd)

5.4.6 The following table provides the total capacity of the interface and the thresholds for minimum order requirements.

<u>Interface Type</u>	<u>Interface Name</u>	<u>Total Capacity (Channels)</u>	<u>Minimum Capacity (Channels)</u>
Analog	Group	12	9
Analog	Supergroup	60	42
Analog	Mastergroup	600	420
Digital	DS1	24	17
Digital	DS1C	48	34
Digital	DS3	672	471

The Telephone Company will not provide these Interface Groups when less than 70% of the capacity is ordered. For purposes of grouping, as set forth in 5.4.5 preceding, it shall be assumed that Feature Group A, B, C, or D minutes may be combined.

5.4.7 When Switched Access Service provided from available inventory is disconnected, and the disconnect causes the in service capacity to fall below the minimum requirements, the Telephone Company will, at the option of the customer,

- (A) disconnect all the service subject to the minimum capacity requirements, and all appropriate charges will apply, or
- (B) move the remaining in service capacity to a lesser capacity interface.

ISSUE DATE:
February 28, 2011

Issued Under Transmittal No. 1
Vice President-Regulatory Operations
100 CenturyLink Drive
Monroe, Louisiana 71203

EFFECTIVE DATE:
March 1, 2011

ACCESS SERVICE

6. Switched Access Service6.1 General

Switched Access Service, which is available to customers for their use in furnishing their services to end users, provides a two-point electrical communications path between a customer's premises and an end user's premises. It provides for the use of common terminating, common switching, switched transport facilities, and common subscriber plant of the Telephone Company. Switched Access Service provides for the ability to originate calls from an end user's premises to a customer's premises, and to terminate calls from a customer's premises to an end user's premises. Specific references to material describing the elements of Switched Access Service are provided in 6.1.1 and 6.1.2 following. (T)

Rates and charges for Switched Access Service depend generally on its use by the customer, i.e., for MTS or WATS services, MTS-WATS equivalent services, or other services (e.g., foreign exchange service), and whether it is provided in a Telephone Company end office that is equipped to provide equal access (Feature Group D Access, described in 6.1.1(D) following). Rates and charges for Switched Access Service are set forth in 6.8 following. The application of rates for Switched Access Service is described in 6.7 following. Rates and charges for services other than Switched Access Service (e.g., a customer's interLATA and intraLATA toll message service, may also be applicable when Switched Access Service is used in conjunction with these other services). Descriptions of such applicability are provided in 6.2.1(A)(7), 6.2.1(B)(3), 6.2.2(A)(5), 6.2.2(B)(3), 6.2.3(A)(5), 6.2.4(A)(4), 6.7.9 and 6.7.11 following.

The rates and charges in this section apply to all switched access customers served by the Telephone Company, except for customers ordering dedicated switched transport services (i.e., voice grade, DS1 and DS3 entrance facilities and direct-trunked transport; dedicated trunk ports; DS3 to DS1 and DS1 to voice, multiplexing; switched transport installation and CCS/SS7 Interconnection Service) in the pricing flexibility Metropolitan Statistical Areas (MSAs) listed in Section 21.3 following. The rates and charges for customers ordering dedicated switched transport services in the pricing flexibility MSAs are set forth in 21.8 following.

ISSUE DATE:
February 12, 2021

Issued Under Transmittal No. 115
Vice President-Regulatory Operations
100 CenturyLink Drive
Monroe, Louisiana 71203

EFFECTIVE DATE:
February 27, 2021

ACCESS SERVICE

6. Switched Access Service (Cont'd)6.1 General (Cont'd)6.1.1 Switched Access Service Arrangements and Manner of Provision

Switched Access Service is provided in seven service categories of standard and optional features called Feature Groups A through D, Interim 500 Access Service, Toll Free Code (TFC) Access Service, and 900 Access Service. They are differentiated by their technical characteristics, e.g., line side vs. trunk side connection at the Telephone Company entry switch, and the manner in which an end user accesses them in originating calls, e.g., with or without an access code. Following is a brief description of each type of Switched Access Service arrangement.

(A) Feature Group A (FGA)

FGA Access provides line side access to Telephone Company end office switches with an associated seven digit local telephone number for the customer's use in originating and terminating communications to an Interexchange Carrier's interstate service or a customer provided interstate communications capability. The customer must specify the Interexchange carrier to which the FGA service is connected or in the alternative, specify the means by which the FGA access communications is transported to another state. Special Access Services utilized for connection with FGA at Telephone Company designated WATS Serving Offices, as set forth in Section 7 following, may be ordered separately by a customer other than the customer which orders the FGA Switched Access Service. When a customer orders special access service to be utilized for connection with originating FGA service (i.e., originating WATS-like service) from a non-equal access end office, the Company will install an access line extension, at no additional charge, to connect the customer to end offices with equal access capabilities. Special Access Services are ordered as set forth in 5.2 preceding. A more detailed description of FGA Access is provided in 6.2.1 following.

ISSUE DATE:
February 28, 2011

Issued Under Transmittal No. 1
Vice President-Regulatory Operations
100 CenturyLink Drive
Monroe, Louisiana 71203

EFFECTIVE DATE:
March 1, 2011

ACCESS SERVICE

6. Switched Access Service (Cont'd)6.1 General (Cont'd)6.1.1 Switched Access Service Arrangements and Manner of Provision (Cont'd)(B) Feature Group B (FGB)

FGB Access provides trunk side access, either by direct trunks to Telephone Company end office switches or between an access tandem and Telephone Company subtending end office switches, with an associated uniform 950-XXXX access code for the customer's use in originating and terminating communications to an Interexchange Carrier's interstate service or a customer provided interstate communications capability. The customer must specify the Interexchange Carrier to which the FGB service is connected, or in the alternative, specify the means by which the FGB access communications is transported to another state. Special Access Services utilized for connection with FGB at Telephone Company designated WATS Serving Offices, as set forth in Section 7 following, may be ordered separately by a customer other than the customer which orders the FGB Switched Access Service. Special Access Services are ordered as set forth in 5.2 preceding. A more detailed description of FGB Access is provided in 6.2.2 following.

ISSUE DATE:
February 28, 2011

Issued Under Transmittal No. 1
Vice President-Regulatory Operations
100 CenturyLink Drive
Monroe, Louisiana 71203

EFFECTIVE DATE:
March 1, 2011

ACCESS SERVICE

6. Switched Access Service (Cont'd)6.1 General (Cont'd)6.1.1 Switched Access Service Arrangements and Manner of Provision (Cont'd)(C) Feature Group C (FGC)

FGC Access, which is available only to providers of MTS and WATS, provides trunk side access to Telephone Company end office switches for the customer's use in originating and terminating communications. This service is available in all end offices which are not equipped for Feature Group D Local Switching. Existing FGC Access will be converted to Feature Group D Access when it becomes available in an end office. Special Access Services utilized for connection with FGC at Telephone Company designated WATS Serving Offices, as set forth in Section 7 following, may be ordered separately by a customer other than the customer which orders the FGC Switched Access Service. Special Access Services are ordered as set forth in 5.2 preceding. A more detailed description of FGC Access is provided in 6.2.3 following.

(D) Feature Group D (FGD)

FGD Access, which is available to all customers, provides trunk side access to Telephone Company end office switches with an associated 101XXXX access code for the customer's use in originating and terminating communications. Special Access Services utilized for connection with FGD at Telephone Company designated WATS Serving Offices as set forth in Section 7 following may be ordered separately by a customer other than the customer which orders the FGD Switched Access Service. Special Access Services are ordered as set forth in 5.2 preceding. A more detailed description of FGD Access is provided in 6.2.4 following.

ISSUE DATE:
February 28, 2011

Issued Under Transmittal No. 1
Vice President-Regulatory Operations
100 CenturyLink Drive
Monroe, Louisiana 71203

EFFECTIVE DATE:
March 1, 2011

ACCESS SERVICE

6. Switched Access Service (Cont'd)6.1 General (Cont'd)6.1.1 Switched Access Service Arrangements and Manner of Provision (Cont'd)(D) Feature Group D (FGD) (Cont'd)

FGD is also available with End User presubscription, as set forth in Section 6.2.4(A)(6) and Section 13. Presubscribing End Users do not need to use the 101XXXX access code to access the Customer. The provision of FGD Access is subject to local availability.

Special Access service used in connection with Feature Groups A and B is available in nonequal access offices via FGD as follows:

- (1) When the end user's serving wire center is not a WATS serving office (WSO) channel mileage charges will apply between the end user's serving wire center and the nearest WSO.
- (2) When a customer, other than AT&T, orders an originating only or a combined originating and terminating (two-way) Special Access Line (SAL) to be used in connection with Switched Access Service and the end user's serving wire center is a WSO which is not equipped with equal access, the Telephone Company will provide the Special Access service to the nearest equal access WSO and the channel mileage charges for such service will be waived.

ISSUE DATE:
February 28, 2011

Issued Under Transmittal No. 1
Vice President-Regulatory Operations
100 CenturyLink Drive
Monroe, Louisiana 71203

EFFECTIVE DATE:
March 1, 2011

ACCESS SERVICE

6. Switched Access Service (Cont'd)6.1 General (Cont'd)6.1.1 Switched Access Service Arrangements and Manner of Provision (Cont'd)(D) Feature Group D (FGD) (Cont'd)

- (3) When a customer, other than AT&T, orders an originating only or a combined originating and terminating (two-way) SAL, to be used in connection with Switched Access service and the end user's serving wire center is not a WSO and the nearest WSO is not equipped with equal access, channel mileage charges for a SAL to the nearest WSO will apply as indicated in (1) above, but the Telephone Company will provide an additional SAL to the nearest WSO equipped with equal access and the channel mileage charge for the additional SAL will be waived.

(E) Toll Free Code (TFC) Access Service

TFC Access Service is an originating service that is provided via TFC Access Service switched trunk groups, or may be provided in conjunction with FGB, FGC, or FGD. The service provides for the forwarding of end user dialed TFC calls to a Telephone Company Service Switching Point (SSP) which will initiate a query to the Telephone Company's TFC data base to perform the customer identification function. The call is forwarded to the appropriate customer based on the dialed TFC number. The customer has the option of having the TFC dialed number (e.g., 800-NXX-XXXX) or, if the TFC to Local Exchange Number Translation optional feature is specified, a translated ten digit local exchange number (i.e., NPA-NXX-XXXX) delivered to the customer premises.

When TFC Access Service traffic is combined in the same trunk group arrangement with other traffic, usage for the TFC Access Service traffic will be aggregated with the other traffic for billing purposes. When separate trunk groups are provided for TFC Access Service, usage will be provided separately. A more detailed description of TFC Access Service is as set forth in 6.2.5.

ISSUE DATE:
February 28, 2011

Issued Under Transmittal No. 1
Vice President-Regulatory Operations
100 CenturyLink Drive
Monroe, Louisiana 71203

EFFECTIVE DATE:
March 1, 2011

ACCESS SERVICE

6. Switched Access Service (Cont'd)6.1 General (Cont'd)6.1.1 Switched Access Service Arrangements and Manner of Provision (Cont'd)(F) 900 Access Service

900 Access Service is an originating service that is provided via 900 Access Service switched trunk groups, or may be provided in conjunction with FGB, FGC, or FGD. The Service provides the customer identification function (900 NXX screening) based on the first six digits of the dialed 900 number. When a 1 + 900 + NXX + XXXX call is originated by an end user, a customer identification function determines the customer to which the call is to be routed based on the NXX dialed.

When a customer requests that the Telephone Company open a 900 NXX access code for exchanges served by the Telephone Company within a specified state, LATA or service area subtending an access tandem, the order must include the provisioning of all Telephone Company offices within that state, LATA or all offices subtending the specified access tandem.

When 900 Access Service traffic is combined in the same trunk group arrangement with other traffic, usage for the 900 Access Service traffic will be aggregated with the other traffic for billing purposes. When separate trunk groups are provided for 900 Access Service, usage will be provided separately. A more detailed description of 900 Access Service is as set forth in 6.2.6.

ISSUE DATE:
February 28, 2011

Issued Under Transmittal No. 1
Vice President-Regulatory Operations
100 CenturyLink Drive
Monroe, Louisiana 71203

EFFECTIVE DATE:
March 1, 2011

ACCESS SERVICE

6. Switched Access Service (Cont'd)6.1 General (Cont'd)6.1.1 Switched Access Service Arrangements and Manner of Provision (Cont'd)(G) Interim 500 Access Service

Interim 500 Access Service is an originating service that is provided via Interim 500 Access Service switched trunk groups, or may be provided in conjunction with FGC or FGD. The Service provides the customer identification function (500 NXX screening) based on the first six digits of the dialed 500 number. When a 1 + 500 + NXX + XXXX or 0 + 500 + NXX + XXXX call is originated by an end user, a customer identification function determines the customer to which the call is to be routed based on the NXX dialed.

When a customer requests that the Telephone Company open a 500 NXX access code for exchanges served by the Telephone Company within a specified state, LATA or service area subtending an access tandem, the order must include the provisioning of all Telephone Company offices within that state, LATA or all offices subtending the specified access tandem.

When Interim 500 Access Service traffic is combined in the same trunk group arrangement with other traffic, usage for the Interim 500 Access Service traffic will be aggregated with the other traffic for billing purposes. When separate trunk groups are provided for Interim 500 Access Service, usage will be provided separately. A more detailed description of Interim 500 Access Service is as set forth in 6.2.7.

ISSUE DATE:
February 28, 2011

Issued Under Transmittal No. 1
Vice President-Regulatory Operations
100 CenturyLink Drive
Monroe, Louisiana 71203

EFFECTIVE DATE:
March 1, 2011

ACCESS SERVICE

6. Switched Access Service (Cont'd)6.1 General (Cont'd)6.1.1 Switched Access Service Arrangements and Manner of Provision (Cont'd)(H) Manner of Provision

Switched Access is furnished in either quantities of lines or trunks. FGA Access is furnished on a per-line basis, and FGB, FGC and FGD are furnished on a per-trunk basis.

Trunks are differentiated by type and directionality of traffic carried over a Switched Access Service arrangement. Differentiation of traffic is necessary for the Telephone Company to properly design Switched Access Service to meet the traffic carrying capacity requirement of the customer.

There are three major traffic types. These are: Originating, Terminating and Directory Assistance. Originating traffic type represents access capacity within a LATA for carrying traffic from the end user to the customer; Terminating traffic type represents access capacity within a LATA for carrying traffic from the customer to the end user; and, Directory Assistance traffic type represents access capacity within an exchange for carrying Directory Assistance traffic from the customer to a Directory Assistance location. When ordering capacity for FGB Access, FGC Access or FGD Access, the customer must at a minimum specify such access capacity in terms of Originating traffic type and/or Terminating traffic type. Directory Assistance Access Service is ordered as set forth in Section 9 following.

Because some customers will wish to further segregate their originating FGC or FGD traffic into separate trunk groups, Originating traffic type is further categorized into Domestic, 500, TFC, 900, Operator and IDDD. Domestic traffic type represents access capacity for

ISSUE DATE:
February 28, 2011

Issued Under Transmittal No. 1
Vice President-Regulatory Operations
100 CenturyLink Drive
Monroe, Louisiana 71203

EFFECTIVE DATE:
March 1, 2011

ACCESS SERVICE

6. Switched Access Service (Cont'd)6.1 General (Cont'd)6.1.1 Switched Access Service Arrangements and Manner of Provision (Cont'd)(H) Manner of Provision (Cont'd)

carrying only domestic traffic other than 500, TFC, 900 and Operator traffic; IDDD traffic type represents access capacity for carrying only international traffic; and, 500, TFC, 900 and Operator traffic types represent access capacity for carrying, respectively, only 500, TFC, 900 or Operator traffic. When ordering such types of access capacity, the customer must specify Domestic, 500, TFC, 900, Operator or IDDD traffic type.

6.1.2 Rate Categories

There are three rate categories which apply to Switched Access Service:

- Switched Transport (described in 6.1.2(B) following)
- Local Switching (described in 6.1.2(C) following)
- Common Line (described in Sections 3 and 4 preceding)

In addition to these three rate elements, there are also charges which apply only to Interim 500, TFC and 900 Access Service. The description and application of TFC Access Service charges are set forth in 6.1.2(D) and 6.7.1(C)(3) following. The description and application of 900 Access Service charges are set forth in 6.1.2(F), 6.7.1(C)(4), and 6.7.15 following. The description and application of 500 Access Service charges are set forth in 6.1.2(G), 6.7.1(C)(5), and 6.7.15 following.

ISSUE DATE:
February 28, 2011

Issued Under Transmittal No. 1
Vice President-Regulatory Operations
100 CenturyLink Drive
Monroe, Louisiana 71203

EFFECTIVE DATE:
March 1, 2011

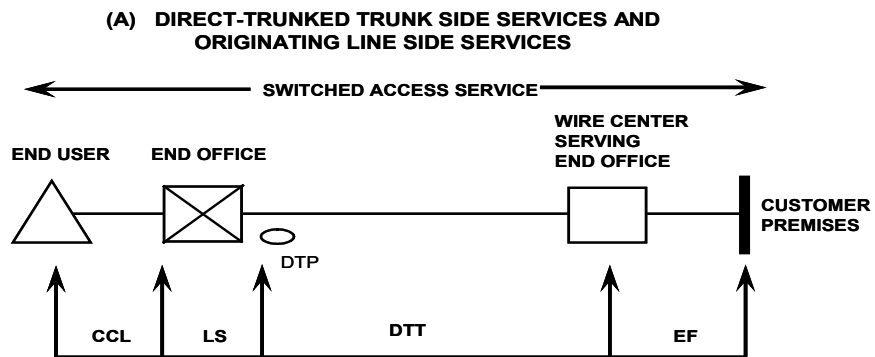
ACCESS SERVICE

6. Switched Access Service (Cont'd)

6.1 General (Cont'd)

6.1.2 Rate Categories (Cont'd)

The following diagrams depict generic views of the components of Switched Access Service and the manner in which the components are combined to provide a complete access service.



Note:
 An exception to mileage measurement for originating line side services is set forth in 6.7.12 (Determining Switched Transport Mileage and Charges)

CCL: CARRIER COMMON LINE
LS: LOCAL SWITCHING
DTT: DIRECT-TRUNKED TRANSPORT
EF: ENTRANCE FACILITY
DTP: DEDICATED TRUNK PORT

ISSUE DATE:
 February 28, 2011

Issued Under Transmittal No. 1
 Vice President-Regulatory Operations
 100 CenturyLink Drive
 Monroe, Louisiana 71203

EFFECTIVE DATE:
 March 1, 2011

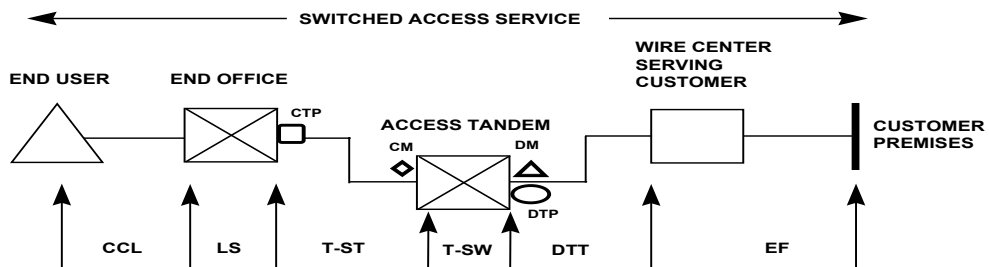
ACCESS SERVICE

6. Switched Access Service (Cont'd)

6.1 General (Cont'd)

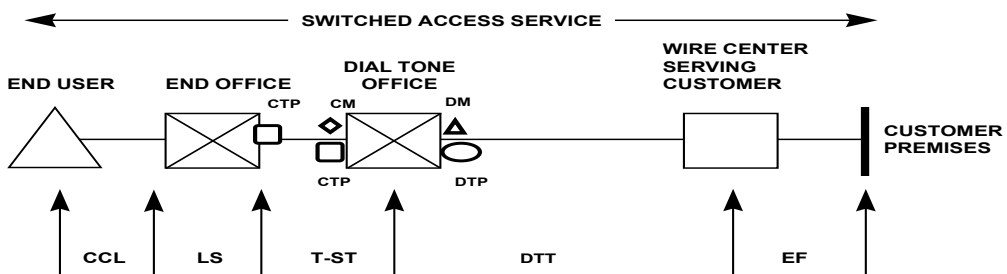
6.1.2 Rate Categories (Cont'd)

(B) TANDEM-SWITCHED TRUNK SIDE SERVICES



- CCL: CARRIER COMMON LINE
- LS: LOCAL SWITCHING
- T-ST: TANDEM-SWITCHED TRANSMISSION (FIXED & PER MILE)
- T-SW: TANDEM SWITCHING
- DTT: DIRECT-TRUNKED TRANSPORT
- EF: ENTRANCE FACILITY
- CTP: COMMON TRUNK PORT
- CM: COMMON TRANSPORT MULTIPLEXING
- DTP: DEDICATED TRUNK PORT
- DM: DEDICATED MULTIPLEXING

(C) TERMINATING LINE SIDE SERVICES



- CCL: CARRIER COMMON LINE
- LS: LOCAL SWITCHING
- T-ST: TANDEM-SWITCHED TRANSMISSION (FIXED & PER MILE)
- DTT: DIRECT-TRUNKED TRANSPORT
- EF: ENTRANCE FACILITY
- CTP: COMMON TRUNK PORT
- CM: COMMON TRANSPORT MULTIPLEXING
- DTP: DEDICATED TRUNK PORT
- DM: DEDICATED MULTIPLEXING

ISSUE DATE:
February 28, 2011

Issued Under Transmittal No. 1
Vice President-Regulatory Operations
100 CenturyLink Drive
Monroe, Louisiana 71203

EFFECTIVE DATE:
March 1, 2011

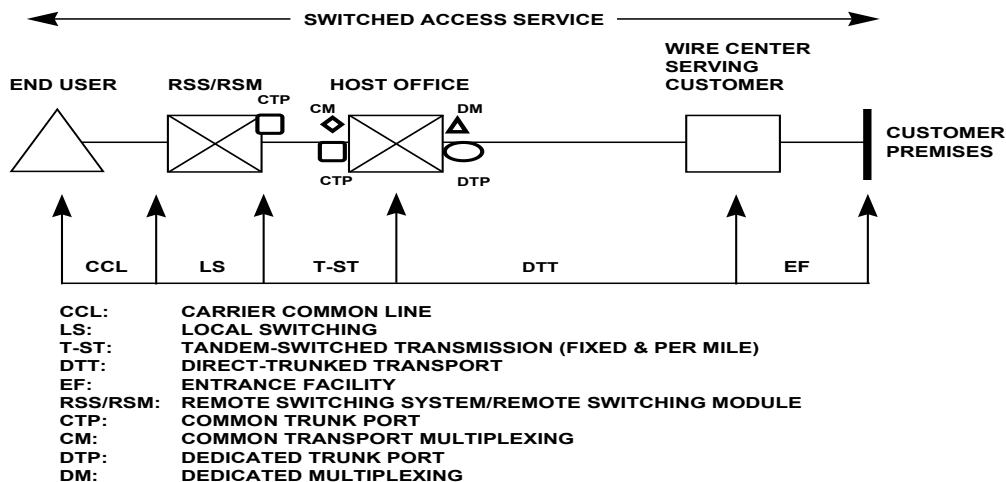
ACCESS SERVICE

6. Switched Access Service (Cont'd)

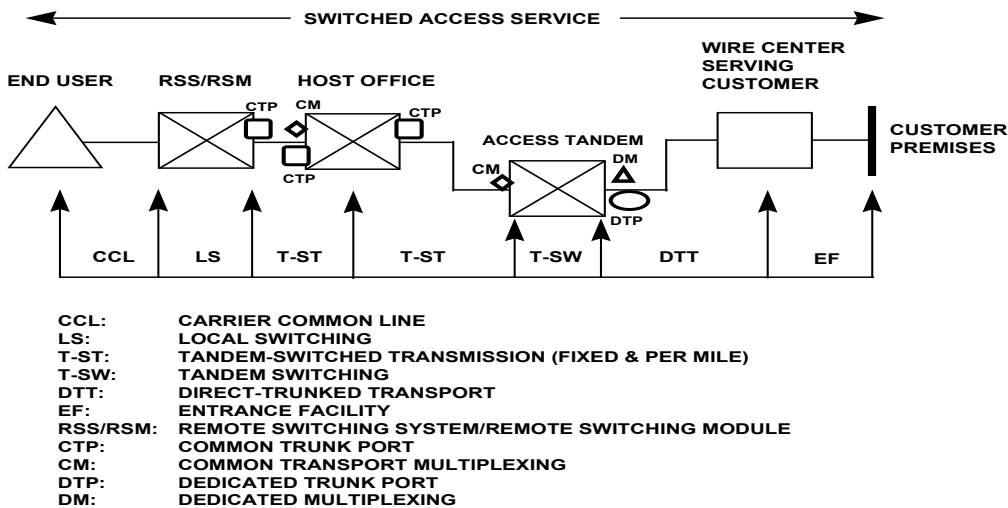
6.1 General (Cont'd)

6.1.2 Rate Categories (Cont'd)

(D) DIRECT-TRUNKED HOST/REMOTE ARRANGEMENTS



(E) TANDEM-SWITCHED HOST/REMOTE ARRANGEMENTS



ISSUE DATE:
February 28, 2011

Issued Under Transmittal No. 1
 Vice President-Regulatory Operations
 100 CenturyLink Drive
 Monroe, Louisiana 71203

EFFECTIVE DATE:
March 1, 2011

ACCESS SERVICE

6. Switched Access Service (Cont'd)6.1 General (Cont'd)6.1.2 Rate Categories (Cont'd)(B) Switched Transport

The Switched Transport rate category provides the transmission facilities between the customer's premises and the end office switch(es) where the customer's traffic is switched to originate or terminate the customer's communications.

Switched Transport provides a one-way or two-way voice frequency transmission path composed of facilities determined by the Telephone Company which permit the transport of calls in the originating direction and in the terminating direction, though not simultaneously. This voice frequency transmission path may be comprised of any form or configuration of plant capable of, and typically used in, the telecommunications industry for transmitting voice and associated telephone signals within the frequency bandwidth of approximately 300 to 3000 Hz.

Switched Transport is comprised of an Entrance Facility, Direct-Trunked Transport, Tandem-Switched Transport, and various optional features and functions. Descriptions of the Switched Transport components are provided in (1) through (4) following.

Switched Transport is ordered under the Access Order provisions set forth in Section 5 preceding. Ordering provisions as set forth in 2.4.8 preceding will apply when more than one Exchange Telephone Company is involved in the provision of a Switched Transport facility.

ISSUE DATE:
February 28, 2011

Issued Under Transmittal No. 1
Vice President-Regulatory Operations
100 CenturyLink Drive
Monroe, Louisiana 71203

EFFECTIVE DATE:
March 1, 2011

ACCESS SERVICE

6. Switched Access Service (Cont'd)6.1 General (Cont'd)6.1.2 Rate Categories (Cont'd)(B) Switched Transport (Cont'd)(1) Entrance Facility

An Entrance Facility provides the communication path between a customer's premises and the Telephone Company's serving wire center for that premises. The Entrance Facility is dedicated to the use of a single customer and is available for use with all line side and trunk side Switched Access services. An Entrance Facility is provided even if the customer's premises and the serving wire center are located in the same building.

The Entrance Facility rate element includes the transmission medium of the facility as well as certain circuit equipment that is used at the ends of the facility and employed to provision the channels on the transmission medium. The Entrance Facility rate element also includes an Interface Group, as set forth in 6.4.3 following, which defines the technical characteristics and types of signaling capability associated with the connection (i.e., voice grade, DS1 or DS3) that comprises the Entrance Facility. The following types of Entrance Facility are available:

(a) Voice Grade Entrance Facility

Voice Grade Entrance Facility is provided in quantities of channels. Each Voice Grade channel provides voice frequency transmission capability in the nominal frequency range of 300 to 3000 hertz (Hz) and may be terminated

ISSUE DATE:
February 28, 2011

Issued Under Transmittal No. 1
Vice President-Regulatory Operations
100 CenturyLink Drive
Monroe, Louisiana 71203

EFFECTIVE DATE:
March 1, 2011

ACCESS SERVICE

6. Switched Access Service (Cont'd)6.1 General (Cont'd)6.1.2 Rate Categories (Cont'd)(B) Switched Transport (Cont'd)(1) Entrance Facility (Cont'd)(a) Voice Grade Entrance Facility (Cont'd)

two-wire or four-wire. When a single Voice Grade channel is ordered to be terminated at a customer's premises where the premises is all-digital and requires a minimum digital interface level of 1.544 Mbps, the Telephone Company will provide the required interface where facilities are available.

Technical Specifications for Voice Grade may be found in Technical Reference Publication TR-NWT-000335.

(b) DS1 Entrance Facility

DS1 Entrance Facility provides 24 channels for the transmission of nominal 56 kbps or 1.544 Mbps isochronous serial data. The actual bit rate and framing format is a function of the channel interface selected by the customer.

DS1 Entrance Facility rates may vary based on distance. The mileage used to determine the monthly rate for entrance facilities located outside a Telephone Company Central Office is the airline distance between the customer's designated premises and the Telephone Company serving wire center. The mileage measurement is determined by utilizing exchange maps and mileage tables located in designated Telephone Company offices for such purposes.

Technical specifications for DS1 may be found in Technical Reference Publication GR-342.

ISSUE DATE:
February 28, 2011

Issued Under Transmittal No. 1
Vice President-Regulatory Operations
100 CenturyLink Drive
Monroe, Louisiana 71203

EFFECTIVE DATE:
March 1, 2011

ACCESS SERVICE

6. Switched Access Service (Cont'd)6.1 General (Cont'd)6.1.2 Rate Categories (Cont'd)(B) Switched Transport (Cont'd)(1) Entrance Facility (Cont'd)(c) DS3 Entrance Facility

DS3 Entrance Facility provides 28 DS1s or 672 channels for the transmission of nominal 44.736 Mbps isochronous serial data.

With DS3, an interface which provides an electrical signal with a transmission speed of 44.736 Mbps per channel will be installed at the customer's premises.

DS3 Entrance Facility rates may vary based on distance. The mileage used to determine the monthly rate for entrance facilities located outside a Telephone Company Central Office is the airline distance between the customer's designated premises and the Telephone Company serving wire center. The mileage measurement is determined by utilizing exchange maps and mileage tables located in designated Telephone Company offices for such purposes.

Technical specifications for DS3 services may be found in Technical Reference Publication GR-342.

ISSUE DATE:
February 28, 2011

Issued Under Transmittal No. 1
Vice President-Regulatory Operations
100 CenturyLink Drive
Monroe, Louisiana 71203

EFFECTIVE DATE:
March 1, 2011

ACCESS SERVICE

6. Switched Access Service (Cont'd)6.1 General (Cont'd)6.1.2 Rate Categories (Cont'd)(B) Switched Transport (Cont'd)(2) Direct-Trunked Transport

Direct-Trunked Transport provides the communication path between the serving wire center of a customer's premises and an end office or between the serving wire center and an access tandem when transport from the access tandem to the end office is routed on circuits used in common by multiple access customers. Direct-Trunked Transport is dedicated to the use of a single customer and does not require switching at an access tandem. Direct-Trunked Transport is available for use with all line side and trunk side Switched Access services.

ISSUE DATE:
February 28, 2011

Issued Under Transmittal No. 1
Vice President-Regulatory Operations
100 CenturyLink Drive
Monroe, Louisiana 71203

EFFECTIVE DATE:
March 1, 2011

ACCESS SERVICE

6. Switched Access Service (Cont'd)6.1 General (Cont'd)6.1.2 Rate Categories (Cont'd)(B) Switched Transport (Cont'd)(2) Direct-Trunked Transport (Cont'd)

Direct-Trunked Transport is not available to end offices that lack recording and measuring capabilities needed to provide Direct-Trunked Transport. Direct-Trunked Transport is also not available for TFC Access Service when the required SSP function is located at the access tandem.

Direct-Trunked Transport provides for the transmission facilities between the Telephone Company's serving wire center and an end office when such facilities are not switched through an access tandem, or between the Telephone Company's serving wire center and the access tandem. This includes the transmission medium itself as well as certain circuit equipment that is used at the ends of the interoffice links and employed to provision the channels on the transmission medium and circuit equipment used within the network to manage the circuits at intermediate locations.

The Telephone Company applies a 50% billing percentage to the Direct-Trunked Transport termination (fixed) rate on jointly-owned circuits, and applies 100% on wholly-owned circuits. When the Direct-Trunked Transport facility is zero (i.e., collocated serving wire centers), neither the Direct-Trunked Transport facility (per mile) rate nor the Direct-Trunked Transport termination (fixed) rate will apply.

ISSUE DATE:
February 28, 2011

Issued Under Transmittal No. 1
Vice President-Regulatory Operations
100 CenturyLink Drive
Monroe, Louisiana 71203

EFFECTIVE DATE:
March 1, 2011

ACCESS SERVICE

6. Switched Access Service (Cont'd)

6.1 General (Cont'd)

6.1.2 Rate Categories (Cont'd)

(B) Switched Transport (Cont'd)

(2) Direct-Trunked Transport (Cont'd)

Direct-Trunked Transport also provides for the transmission facilities between the Telephone Company's serving wire center and a hub that interconnects facilities for both Tandem-Switched Transmission and Direct-Trunked Transport.

(3) Tandem-Switched Transport

Tandem-Switched Transport provides the communication path between the access tandem and an end office that subtends that tandem and includes tandem switching functions. Tandem-Switched Transport is available for use with all trunk side Switched Access services. Tandem-Switched Transport is not available for use with line side Switched Access services. For examples of Tandem Switched Transport see Section 2.4.8 preceding.

Effective July 1, 2021, as established in the 8YY Access Charge Reform (FCC 20-143), existing tandem switching charges and transport charges for originating 8YY traffic are eliminated and a single joint tandem switched access service rate element for 8YY originating access service is established. The 8YY originating Joint Tandem Switched Transport rate is provided at the rates set forth in 6.8.2(C)(4).

(N)
|
(N)

Tandem-Switched Transport provides for the transmission facilities between the access tandem and an end office that subtends the tandem. Tandem-Switched Transport is composed of four subelements:

ISSUE DATE:
June 16, 2021

Issued Under Transmittal No. 118
Vice President-Public Policy & Compliance
100 CenturyLink Drive
Monroe, Louisiana 71203

EFFECTIVE DATE:
July 1, 2021

ACCESS SERVICE

6. Switched Access Service (Cont'd)6.1 General (Cont'd)6.1.2 Rate Categories (Cont'd)(B) Switched Transport (Cont'd)(3) Tandem-Switched Transport (Cont'd)

- (a) Tandem-Switched Transmission, which provides for the transmission facilities from the Telephone Company's access tandem switch to an end office subtending that tandem. This includes the transmission medium itself as well as certain circuit equipment that is used at the ends of the interoffice links and employed to derive the channels on the transmission medium, and circuit equipment used within the network to manage the circuits at intermediate locations.

The Telephone Company applies a 50% billing percentage to the Tandem-Switched Transport termination (fixed) rate on jointly-owned circuits, and applies 100% on wholly-owned circuits. When the Tandem-Switched Transport Facility is zero (i.e., collocated serving wire centers), neither the Tandem-Switched Transport Facility (per mile) rate nor the Tandem-Switched Transport Termination (fixed) rate will apply.

- (b) Tandem Switching, which provides for use of the Telephone Company's access tandem.

ISSUE DATE:
February 28, 2011

Issued Under Transmittal No. 1
Vice President-Regulatory Operations
100 CenturyLink Drive
Monroe, Louisiana 71203

EFFECTIVE DATE:
March 1, 2011

ACCESS SERVICE

6. Switched Access Service (Cont'd)6.1 General (Cont'd)6.1.2 Rate Categories (Cont'd)(B) Switched Transport (Cont'd)(3) Tandem-Switched Transport (Cont'd)

(c) Common Transport Multiplexing provides for the use of the multiplexing equipment at the remote, the end office, and at the access tandem. The common transport multiplexing rate element is assessed on a per minute of use basis at both the end office and tandem.

(d) Dedicated Transport Multiplexing provides for the use of multiplexing equipment at the end office and access tandem. The dedicated transport multiplexing rate element is a flat rated charge and is assessed at both the end office and tandem. Dedicated transport multiplexing is provided at the rates set forth in 6.8.2(D)(4)(b) following for DS3 to DS1 multiplexing.

ISSUE DATE:
February 28, 2011

Issued Under Transmittal No. 1
Vice President-Regulatory Operations
100 CenturyLink Drive
Monroe, Louisiana 71203

EFFECTIVE DATE:
March 1, 2011

ACCESS SERVICE

6. Switched Access Service (Cont'd)

6.1 General (Cont'd)

6.1.2 Rate Categories (Cont'd)

(B) Switched Transport (Cont'd)

(3) Tandem-Switched Transport (Cont'd)

(e) Tandem Trunk Port

The trunk port rate element is defined as follows:

(T)

(D)

(D)

- Dedicated Trunk Port

The Dedicated Trunk Port provides access into the access tandem at the serving wire center side of the switch.

(T)

(T)

ISSUE DATE:
September 16, 2015

Issued Under Transmittal No. 75
Vice President-Regulatory Operations
100 CenturyLink Drive
Monroe, Louisiana 71203

EFFECTIVE DATE:
October 1, 2015

ACCESS SERVICE

6. Switched Access Service (Cont'd)6.1 General (Cont'd)6.1.2 Rate Categories (Cont'd)(B) Switched Transport (Cont'd)(3) Tandem Switched Transport (Cont'd)

Switched Transport is provided at the rates and charges as set forth in 6.8.2 following. The application of these rates with respect to individual Switched Access Service Arrangements is set forth in 6.7.1(D) following.

The number of Switched Transport transmission paths and terminations provided is based on the customer's order and is determined by the Telephone Company as set forth in 6.5.5 following.

(4) Nonchargeable Optional Features

Where transmission facilities permit, the Telephone Company will, at the option of the customer, provide the following optional features in association with the Interface Groups listed in 6.4.3(A) through (F) following. Only those Interface Groups referenced with each optional feature will be provided with that feature.

(a) Supervisory Signaling

Where the transmission parameters permit, and where signaling conversion is required by the customer to meet its signaling capability, the customer may order an optional supervisory signaling arrangement for each transmission path provided as follows:

ISSUE DATE:
February 28, 2011

Issued Under Transmittal No. 1
Vice President-Regulatory Operations
100 CenturyLink Drive
Monroe, Louisiana 71203

EFFECTIVE DATE:
March 1, 2011

ACCESS SERVICE

6. Switched Access Service (Cont'd)6.1 General (Cont'd)6.1.2 Rate Categories (Cont'd)(B) Switched Transport (Cont'd)(4) Nonchargeable Optional Features (Cont'd)(a) Supervisory Signaling (Cont'd)

- For Interface Groups 1 and 2

DX Supervisory Signaling,
E&M Type I Supervisory Signaling,
E&M Type II Supervisory Signaling, or
E&M Type III Supervisory Signaling
- For Interface Group 2

SF Supervisory Signaling, or
Tandem Supervisory Signaling
- For Interface Groups 6 through 9

These Interface Groups may, at the option of the customer, be provided with individual transmission path SF supervisory signaling where such signaling is available in Telephone Company central offices. Generally such signaling is available only where the entry switch provides an analog, i.e., nondigital, interface to the transport termination and a portion of the facility between the analog entry switch and the customer's premises is analog. These Supervisory Signaling arrangements are not available in combination with the SS7 Signaling feature described in 6.3(EF).

ISSUE DATE:
February 28, 2011

Issued Under Transmittal No. 1
Vice President-Regulatory Operations
100 CenturyLink Drive
Monroe, Louisiana 71203

EFFECTIVE DATE:
March 1, 2011

ACCESS SERVICE

6. Switched Access Service (Cont'd)6.1 General (Cont'd)6.1.2 Rate Categories (Cont'd)(B) Switched Transport (Cont'd)(4) Nonchargeable Optional Features (Cont'd)(b) Improved Return Loss

This feature provides Improved Return Loss, expressed as Echo Return Loss and Singing Return Loss, on two-wire ports of a four-wire point of termination. The specific parameters guaranteed are set forth in 6.4.1 following. This feature is available with all Feature Groups.

(c) Data Transmission Parameters

Where transmission facilities permit, the Customer may order Data Transmission Parameters for each transmission path in association with Interface Groups 1 through 9. This feature includes the provision of trouble testing by the Telephone Company, either independently or cooperatively with the Customer, of parameters normally associated with data transmission. The Telephone Company will, upon receipt of a trouble report from the Customer, conduct tests either independently or cooperatively with the Customer as appropriate, and take any necessary action to insure that the parameters set forth in Section 6.4.2(A) or 6.4.2(B) are met. In those cases where the Customer specifically requests that Telephone Company personnel conduct tests, Maintenance of Service charges will be imposed where applicable in accordance with Section 13.1.9.

ISSUE DATE:
February 28, 2011

Issued Under Transmittal No. 1
Vice President-Regulatory Operations
100 CenturyLink Drive
Monroe, Louisiana 71203

EFFECTIVE DATE:
March 1, 2011

ACCESS SERVICE

6. Switched Access Service (Cont'd)6.1 General (Cont'd)6.1.2 Rate Categories (Cont'd)(B) Switched Transport (Cont'd)(5) Chargeable Optional Features(a) Provision of Other Than Telephone Company Selected Traffic Routing

This option allows the customer to specify a particular traffic routing for trunk groups in lieu of Telephone Company selected routing, i.e., the customer may specify that the routing be on a direct trunk basis or via an access tandem. It is available with Feature Groups B, C, D, and Interim 500, TFC and 900 Access Service.

(b) Customer Specification of Feature Group Directionality

This option allows the customer to specify that the operation of a trunk group will be one-way originating or terminating calling in lieu of Telephone Company selected two-way calling or, alternatively, that operation will be two-way calling in lieu of Telephone Company selected one-way calling. It is available with Feature Groups B, C and D.

ISSUE DATE:
February 28, 2011

Issued Under Transmittal No. 1
Vice President-Regulatory Operations
100 CenturyLink Drive
Monroe, Louisiana 71203

EFFECTIVE DATE:
March 1, 2011

ACCESS SERVICE

6. Switched Access Service (Cont'd)6.1 General (Cont'd)6.1.2 Rate Categories (Cont'd)(B) Switched Transport (Cont'd)(5) Chargeable Optional Features (Cont'd)(c) Customer Specification of Switched Transport Termination

This option allows the customer to specify, for Feature Group B routed directly to an end office or access tandem, a four-wire termination of the Switched Transport at the entry switch in lieu of a Telephone Company selected two-wire termination. This option is available only when the Feature Group B arrangement is provided with Type B Transmission Specifications.

(d) Multiplexing

Multiplexing provides for arrangements to convert a single higher capacity or bandwidth circuit for bulk transport to several lower capacity or bandwidth circuits. Multiplexing is only available at Telephone Company designated Hubs (end offices) arranged for multiplexing or at the access tandem trunk on the serving wire center side of the access tandem. All types of multiplexing may not be available at each Hub location.

ISSUE DATE:
February 28, 2011

Issued Under Transmittal No. 1
Vice President-Regulatory Operations
100 CenturyLink Drive
Monroe, Louisiana 71203

EFFECTIVE DATE:
March 1, 2011

ACCESS SERVICE

6. Switched Access Service (Cont'd)

6.1 General (Cont'd)

6.1.2 Rate Categories (Cont'd)

(B) Switched Transport (Cont'd)

(5) Chargeable Optional Features (Cont'd)

(d) Multiplexing (Cont'd)

Listed below are the multiplexing arrangements offered with switched access.

1. DS1 to Voice

An arrangement that multiplexes twenty-four voice grade circuits to single DS1 digital circuit at a rate of 1.544 Mbps, or multiplexes a single DS1 digital circuit at a rate of 1.544 Mbps to twenty-four voice grade circuits.

2. DS3 to DS1

An arrangement that multiplexes twenty-eight DS1 digital circuits to a single DS3 digital circuit at rate of 44.736 Mbps, or multiplexes a single DS3 digital circuit at a rate of 44.736 Mbps to twenty-eight DS1 digital circuits.

ISSUE DATE:
February 28, 2011

Issued Under Transmittal No. 1
Vice President-Regulatory Operations
100 CenturyLink Drive
Monroe, Louisiana 71203

EFFECTIVE DATE:
March 1, 2011

ACCESS SERVICE

6. Switched Access Service (Cont'd)6.1 General (Cont'd)6.1.2 Rate Categories (Cont'd)(B) Switched Transport (Cont'd)(5) Chargeable Optional Features (Cont'd)

The options described in (a), (b) and (c) preceding are rated on an individual case basis with both nonrecurring charges and monthly recurring rates applying. The rates and charges applicable for the multiplexing options described in (d) preceding are set forth in 6.8.2(D) following.

ISSUE DATE:
February 28, 2011

Issued Under Transmittal No. 1
Vice President-Regulatory Operations
100 CenturyLink Drive
Monroe, Louisiana 71203

EFFECTIVE DATE:
March 1, 2011

ACCESS SERVICE

6. Switched Access Service (Cont'd)6.1 General (Cont'd)6.1.2 Rate Categories (Cont'd)(B) Switched Transport (Cont'd)(6) Common Channel Signaling/Signaling System 7 (CCS/SS7) Interconnection Service(a) General

Common Channel Signaling/Signaling System 7 (CCS/SS7) Interconnection Service, which is available to customers for their use in furnishing their services to end users, provides a signaling path between a customer designated premises and a Telephone Company Interconnecting Signaling Transfer Point (STP). CCS/SS7 Interconnection Service, through the use of this two-way signaling path, provides customer interconnection with the Telephone Company's CCS/SS7 network allowing the customer to obtain data relevant to the completion of the originating end user's call. CCS/SS7 Interconnection Service provides connection to the Telephone Company interconnecting STPs only. CCS/SS7 Interconnection Service will be utilized in conjunction with the following Telephone Company provided services requiring CCS/SS7 connectivity: Line Information Data Base (LIDB) Access Service and SS7 Signaling.

Rate application for CCS/SS7 Interconnection Service is described in 6.7.1 following. Rates and charges for CCS/SS7 Interconnection Service are contained in 6.8.2(G) following.

ISSUE DATE:
February 28, 2011

Issued Under Transmittal No. 1
Vice President-Regulatory Operations
100 CenturyLink Drive
Monroe, Louisiana 71203

EFFECTIVE DATE:
March 1, 2011

ACCESS SERVICE

6. Switched Access Service (Cont'd)6.1 General (Cont'd)6.1.2 Rate Categories (Cont'd)(B) Switched Transport (Cont'd)(6) Common Channel Signaling/Signaling System 7 (CCS/SS7) Interconnection Service (Cont'd)(a) General (Cont'd)(1) Manner of Provisioning

The link facilities for CCS/SS7 Interconnection Service will consist of a 56.0 kbps circuit or an optional DS1 (1.544 Mbps) channel at the customer designated premises multiplexed at a Telephone Company designated Hub to a 56.0 kbps circuit for interconnection at the Telephone Company STP port.

CCS/SS7 Interconnection Service provided over 56.0 kbps channels or DS1 (1.544 Mbps) facilities will conform with the technical specifications set forth in Technical Reference Publication GR-905. The compatible channel interfaces for CCS/SS7 Interconnection Service are set forth in 7.3.5(G) following for 56.0 Kbps channels and in 7.3.5(H) following for DS1 facilities.

ISSUE DATE:
February 28, 2011

Issued Under Transmittal No. 1
Vice President-Regulatory Operations
100 CenturyLink Drive
Monroe, Louisiana 71203

EFFECTIVE DATE:
March 1, 2011

ACCESS SERVICE

6. Switched Access Service (Cont'd)

6.1 General (Cont'd)

6.1.2 Rate Categories (Cont'd)

(B) Switched Transport (Cont'd)

(6) Common Channel Signaling/Signaling System 7 (CCS/SS7) Interconnection Service (Cont'd)

(a) General (Cont'd)

(1) Manner of Provisioning (Cont'd)

In order to ensure network availability and reliability, the Telephone Company's CCS/SS7 Interconnection Service is supported by a pair of interconnecting STPs as outlined in Technical Reference Publication GR-905. The Telephone Company shall not be liable for service outages if the customer employs technology related to the interconnection of signaling networks that does not adhere to generally accepted industry technical standards.

When CCS/SS7 Interconnection Service is provisioned for use with LIDB Access Service, interconnection must occur through physically diverse facilities to **Company-designated** interconnecting **STPs**. Such provisioning allows for the diversity of link facilities required by the Telephone Company and serves as a protective measure should interconnecting STP or CCS/SS7 interconnection service failure occur.

**Material deleted from this page now appears in Brightspeed Local Operating Companies
Tariff F.C.C. NO. 9.**

(N)
(N)

ISSUE DATE:
September 19, 2022

Issued Under Transmittal No. 125
Vice President-Regulatory Operations
100 CenturyLink Drive
Monroe, Louisiana 71203

EFFECTIVE DATE:
October 4, 2022

ACCESS SERVICE

6. Switched Access Service (Cont'd)6.1 General (Cont'd)6.1.2 Rate Categories (Cont'd)(B) Switched Transport (Cont'd)(6) Common Channel Signaling/Signaling System 7 (CCS/SS7) Interconnection Service (Cont'd)(a) General (Cont'd)(1) Manner of Provisioning (Cont'd)

An Originating Point Code (OPC) charge applies for each OPC established, as well as each OPC added or changed subsequent to the establishment of STP Access. The OPC charge applies on a per service basis. A Global Title Address (GTA) Translation charge applies for each service or application (excluding LIDB Access Service and TFC Data Base Service) that utilizes Transaction Capabilities Application Part (TCAP) messages. A GTA Translation charge also applies for each service (excluding LIDB Access Service and TFC Data Base Service) added or changed subsequent to the initial establishment of STP Access.

Charges for Originating Point Codes and Global Title Address Translations are set forth in 6.8.2(G)(5) and (6) following.

When CCS/SS7 Interconnection Service is provisioned for use with SS7 Signaling, interconnection between signaling networks must occur at the STP pairs for the corresponding jurisdiction as follows:

ISSUE DATE:
February 28, 2011

Issued Under Transmittal No. 1
Vice President-Regulatory Operations
100 CenturyLink Drive
Monroe, Louisiana 71203

EFFECTIVE DATE:
March 1, 2011

ACCESS SERVICE

6. Switched Access Service (Cont'd)

6.1 General (Cont'd)

6.1.2 Rate Categories (Cont'd)

(B) Switched Transport (Cont'd)

(6) Common Channel Signaling/Signaling System 7 (CCS/SS7) Interconnection Service (Cont'd)

(a) General (Cont'd)

(1) Manner of Provisioning (Cont'd)

<u>Mated STP Pair Location</u>	<u>Jurisdictions Served</u>
Tallahassee, Florida	Florida (Central)
Altamonte Springs and Winter Park, Florida	Florida (United)
Las Vegas, Nevada	Nevada
Chaska and Osseo, Minnesota	Minnesota and Nebraska

(D)
 |
 (D)
 |
 (D)
 |
 (D)

**Material deleted from this page now appears in Brightspeed Local Operating Companies
 Tariff F.C.C. NO. 9.**

(N)
 (N)

ISSUE DATE:
 September 19, 2022

Issued Under Transmittal No. 125
 Vice President-Regulatory Operations
 100 CenturyLink Drive
 Monroe, Louisiana 71203

EFFECTIVE DATE:
 October 4, 2022

ACCESS SERVICE

6. Switched Access Service (Cont'd)

6.1 General (Cont'd)

6.1.2 Rate Categories (Cont'd)

(B) Switched Transport (Cont'd)

(6) Common Channel Signaling/Signaling System 7 (CCS/SS7) Interconnection Service (Cont'd)

(a) General (Cont'd)

(1) Manner of Provisioning (Cont'd)

<u>Mated STP Pair Location</u>	<u>Jurisdictions Served</u>
Carlisle and Chambersburg, Pennsylvania	Pennsylvania
Athens and Humble, Texas	Texas
Warrensburg and Jefferson City, Missouri	Missouri and Kansas
The Dalles, Oregon	Oregon and Washington
Poulsbo, Washington	Oregon and Washington

CCS/SS7 Interconnection Service for SS7 Signaling is not available in the Wyoming jurisdiction.

(D)
 |
 (D)

**Material deleted from this page now appears in Brightspeed Local Operating Companies
 Tariff F.C.C. NO. 9.**

(N)
 (N)

ISSUE DATE:
 September 19, 2022

Issued Under Transmittal No. 125
 Vice President-Regulatory Operations
 100 CenturyLink Drive
 Monroe, Louisiana 71203

EFFECTIVE DATE:
 October 4, 2022

ACCESS SERVICE

6. Switched Access Service (Cont'd)6.1 General (Cont'd)6.1.2 Rate Categories (Cont'd)(C) Local Switching

The Local Switching rate element provides for the use of end office switching equipment for the termination of end user lines in the local end office, and for the termination of a call at a Telephone Company operator or recording. End user lines may be provided as either Common Lines or Special Access Channel Terminations utilized for connection with Switched Access Service at Telephone Company designated WATS Serving Offices. Common Lines are discussed in Sections 3. and 4. preceding, while Special Access Channel Terminations are discussed in Section 7. following. There are various types of originating and terminating line side terminations depending on the type of signaling used (i.e., loop start or ground start). Line side terminations are available with either dial pulse or dual tone multifrequency address signaling.

The intercept function informs a caller why a call, as dialed, could not be completed, and if possible, provides the caller with information required to complete the call.

(1) LS1 and LS2

(T)

The Local Switching charge is divided into two distinct categories, i.e., LS1 and LS2. The first category, LS1, provides local dial switching for Feature Groups A and B when the traffic originates from or terminates at an equal access end office.

The second category, LS2, provides local dial switching for Feature Groups C and D.

ISSUE DATE:
September 16, 2015

Issued Under Transmittal No. 75
Vice President-Regulatory Operations
100 CenturyLink Drive
Monroe, Louisiana 71203

EFFECTIVE DATE:
October 1, 2015

ACCESS SERVICE

6. Switched Access Service (Cont'd)

6.1 General (Cont'd)

6.1.2 Rate Categories (Cont'd)

(C) Local Switching (Cont'd)

Where end offices are appropriately equipped, international dialing may be provided as a capability associated with LS2. International dialing provides the capability of switching international calls with service prefix and address codes having more digits than are capable of being switched through a standard FGC or FGD equipped end office.

Rates for LS1 and LS2 are set forth in 6.8.3 following. The application of these rates with respect to individual Feature Groups is as set forth in 6.7.1(D) following.

Included as part of Local Switching are various optional features which the customer can order to meet its specific communications requirements. These optional features are described in 6.3 following.

(2) Common Trunk Port

(N)

The Common Trunk Port provides for the use of shared end office trunk ports for the termination of common transport trunks for end office routed traffic.

Rates for Common Trunk Port are set forth in 6.8.3 (E).

(N)

(3) Dedicated Trunk Port

(N)

The Dedicated Trunk Port provides for termination of a dedicated trunk as a trunk side arrangement to an end office.

Rates for Common Trunk Port are set forth in 6.8.3 (D) and 21.8.3 (H).

(N)

ISSUE DATE:
September 16, 2015

Issued Under Transmittal No. 75
Vice President-Regulatory Operations
100 CenturyLink Drive
Monroe, Louisiana 71203

EFFECTIVE DATE:
October 1, 2015

ACCESS SERVICE

6. Switched Access Service (Cont'd)6.1 General (Cont'd)6.1.2 Rate Categories (Cont'd)(D) Toll Free Code (TFC) Access Service

The TFC Access Service Data Base Query Charge, as set forth in Section 6.8.4(A) following, will apply for each TFC call query received at the Telephone Company's TFC data base. Per query charges will be accumulated over a monthly period and billed to the customer on a monthly basis.

Included as a part of TFC Access Service are various optional service features, described in Section 6.2.5(C) following, which the customer may specify to meet its specific requirements. The rates for the TFC Data Base Optional Service Features are set forth in Section 6.8.4(B) following and will apply on a per query basis. When a combination of one or more optional service features is specified, only one such charge shall apply. Per query service option charges will be accumulated over a monthly period and billed to the customer on a monthly basis.

(Z)

(E) Reserved For Future UseISSUE DATE:
January 30, 2014Issued Under Transmittal No. 51
Vice President-Regulatory Operations
100 CenturyLink Drive
Monroe, Louisiana 71203EFFECTIVE DATE:
February 14, 2014

ACCESS SERVICE

6. Switched Access Service (Cont'd)6.1 General (Cont'd)6.1.2 Rate Categories (Cont'd)(F) 900 Access Service Nonrecurring Charges

The 900 Access Service nonrecurring charge is assessed depending upon how the service is ordered:

- (1) If the service is ordered for the state or LATA, the customer charge for the assembly of route tables is assessed for each end office/tandem the Telephone Company serves in the state or LATA. A second nonrecurring charge element applies per NXX activated or deactivated, times the number of Telephone Company access tandems or end offices modified to perform six digit screening for 900 Access Service.
- (2) The second alternative allows for the service to be ordered to only one access tandem or end office performing six digit screening. The customer charge for the assembly of route tables is assessed for each end office subtending the access tandem (including a collocated end office, if applicable). A second nonrecurring charge element applies per NXX activated or deactivated, times the designated Telephone Company access tandem(s) or end office(s) modified to perform six digit screening for 900 Access Service. This option can be applied repetitively to different tandems to customize the intended offering area.

The route pattern nonrecurring charge applies only once, on the customer's initial request to the Telephone Company for 900 Access Service in each LATA or state. If the customer places an order using option (2) above, the route pattern nonrecurring charge applies to each end office specified in the order received.

ISSUE DATE:
February 28, 2011

Issued Under Transmittal No. 1
Vice President-Regulatory Operations
100 CenturyLink Drive
Monroe, Louisiana 71203

EFFECTIVE DATE:
March 1, 2011

ACCESS SERVICE

6. Switched Access Service (Cont'd)6.1 General (Cont'd)6.1.2 Rate Categories (Cont'd)(G) Interim 500 Access Service Nonrecurring Charges

The Interim 500 Access Service nonrecurring charge is assessed depending upon how the service is ordered:

- (1) If the service is ordered for the state or LATA, the customer charge for the assembly of route tables is assessed for each end office/tandem the Telephone Company serves in the state or LATA. A second nonrecurring charge element applies per NXX activated or deactivated, times the number of Telephone Company access tandems or end offices modified to perform six digit screening for Interim 500 Access Service.
- (2) The second alternative allows for the service to be ordered to only one access tandem or end office performing six digit screening. The customer charge for the assembly of route tables is assessed for each end office subtending the access tandem (including a collocated end office, if applicable). A second nonrecurring charge element applies per NXX activated or deactivated, times the designated Telephone Company access tandem(s) or end office(s) modified to perform six digit screening for Interim 500 Access Service. This option can be applied repetitively to different tandems to customize the intended offering area.

The route pattern nonrecurring charge applies only once, on the customer's initial request to the Telephone Company for Interim 500 Access Service in each LATA or state. If the customer places an order using option (2) above, the route pattern nonrecurring charge applies to each end office specified in the order received.

ISSUE DATE:
February 28, 2011

Issued Under Transmittal No. 1
Vice President-Regulatory Operations
100 CenturyLink Drive
Monroe, Louisiana 71203

EFFECTIVE DATE:
March 1, 2011

ACCESS SERVICE

6. Switched Access Service (Cont'd)6.1 General (Cont'd)6.1.2 Rate Categories (Cont'd)(H) Zone Density Charges

Zone density charges are applicable only to DS1 and DS3 switched access services (i.e., Entrance Facility, Direct-Trunked Transport, Tandem Switched Transmission, Tandem Switching, and DS1 to Voice and DS3 to DS1 Multiplexing) provided at the Telephone Company designated exchanges set forth in Section 6.7.17 following. Zone density charges are recurring rates that apply each month or fraction thereof that a DS1 or DS3 switched access service is provided. For billing purposes, each month is considered to have 30 days.

6.1.3 Special Facilities Routing

A customer may request that the facilities used to provide Switched Access Service be specially routed. The regulations, rates and charges for Special Facilities Routing (i.e., Avoidance, Diversity and Cable-Only) are as set forth in Section 11 following.

6.1.4 Design Layout Report

At the request of the customer, the Telephone Company will provide to the customer the makeup of the Telephone Company facilities and services provided from the customer's premises to the first point of switching. This information will be provided in the form of a Design Layout Report. The Design Layout Report will be provided to the customer at no charge, and will be reissued or updated whenever these facilities are materially changed.

ISSUE DATE:
February 28, 2011

Issued Under Transmittal No. 1
Vice President-Regulatory Operations
100 CenturyLink Drive
Monroe, Louisiana 71203

EFFECTIVE DATE:
March 1, 2011

ACCESS SERVICE

6. Switched Access Service (Cont'd)6.1 General (Cont'd)6.1.5 Testing(A) Acceptance Testing

At the customer's request, the Telephone Company will cooperatively test certain parameters at the time of installation. For line side and trunk side feature groups and for Voice Grade Switched Transport facilities, the Telephone Company will test the following parameters: loss, c-notched noise, c-message noise, 3-tone slope, d.c. continuity, and operational signaling. For DS1 and DS3 Switched Transport facilities, acceptance tests will include tests for the parameters applicable to the service as specified in Technical Reference Publication GR-342. When Switched Transport is provided with Interface Groups 2 through 9, and the transport termination is two-wire (i.e., there is a four-wire to two-wire conversion in Switched Transport), balance parameters (equal level echo path loss) may also be tested. The customer will not be charged for these tests.

Activation of 500 or 900 NXX codes will be tested by the Telephone Company by placing a test call from each end office where six digit screening is performed. In locations where six digit screening is performed at an access tandem with multiple subtending end offices, a minimum of one subtending end office will be tested by the Telephone Company. No charge will be made for these tests.

ISSUE DATE:
February 28, 2011

Issued Under Transmittal No. 1
Vice President-Regulatory Operations
100 CenturyLink Drive
Monroe, Louisiana 71203

EFFECTIVE DATE:
March 1, 2011

ACCESS SERVICE

6. Switched Access Service (Cont'd)6.1 General (Cont'd)6.1.5 Testing (Cont'd)(B) In-Service Testing

At the customer's request, the Telephone Company will provide In-Service Testing of Switched Access services after the time of installation. The customer will not be charged for these tests. These In-Service Tests will be provided on an automatic basis (i.e., no Telephone Company or customer technicians involved) or on a cooperative basis (i.e., Telephone Company technician(s) involved at the Telephone Company end office and customer technician(s) involved at the customer's premises). The parameters to be tested include: 1004 Hz loss, c-message noise, and balance (return loss).

In the case of Automatic Testing, the customer shall provide remote office test lines and 105 type test lines with associated responders or their functional equivalent. When Automatic Testing is not available in a Telephone Company end office, Cooperative Testing will be substituted.

The 1004 Hz loss and c-message noise tests will be provided on a quarterly basis, while the balance test will be provided on an annual basis.

Additional tests, for which charges do apply, are described in 13.1.10(A) following. Charges for these additional tests are set forth in 13.2 and 13.3.1(A).

ISSUE DATE:
February 28, 2011

Issued Under Transmittal No. 1
Vice President-Regulatory Operations
100 CenturyLink Drive
Monroe, Louisiana 71203

EFFECTIVE DATE:
March 1, 2011

ACCESS SERVICE

6. Switched Access Service (Cont'd)6.1 General (Cont'd)6.1.6 Ordering Options and Conditions

Switched Access Service is ordered under the Access Order provisions set forth in Section 5 preceding. Also, included in that section are other charges which may be associated with ordering Switched Access Service (e.g., Service Date Change Charges, Cancellation Charges, etc.).

6.1.7 CCS7 Testing Requirements

When Feature Group D with the CCS7 option is ordered, network compatibility and other operational tests will be performed cooperatively by the Telephone Company and the Customer. These tests are as specified in the industry Network Operations Forum (NOF) as well as those specified in Technical Reference Publication GR-905.

ISSUE DATE:
February 28, 2011

Issued Under Transmittal No. 1
Vice President-Regulatory Operations
100 CenturyLink Drive
Monroe, Louisiana 71203

EFFECTIVE DATE:
March 1, 2011

ACCESS SERVICE

6. Switched Access Service (Cont'd)6.2 Provision and Description of Switched Access Service Arrangements

Switched Access Service is provided in four different Feature Group arrangements and as Interim 500, TFC and 900 Access Service. The provision of each service type requires Switched Transport facilities and the appropriate Local Switching functions. In addition, Special Access Service may, at the option of the customer, be connected with Switched Access Service at Telephone Company designated WATS Serving Offices.

There are three specific transmission specifications (i.e., Types A, B and C) that have been identified for the provision of Switched Access Service. The specifications provided are dependent on the Interface Group and the routing of the service, i.e., whether the service is routed directly to the end office or via an access tandem. The parameters for the transmission specifications are set forth in 6.4.1 following.

Feature Groups are arranged for either originating, terminating or two-way calling, based on the customer end office switching capacity ordered, while Interim 500 Access Service, TFC Access Service and 900 Access Service are arranged for originating calling only. Originating calling permits the delivery of calls from Telephone Exchange Service locations to the customer's premises.

ISSUE DATE:
February 28, 2011

Issued Under Transmittal No. 1
Vice President-Regulatory Operations
100 CenturyLink Drive
Monroe, Louisiana 71203

EFFECTIVE DATE:
March 1, 2011

ACCESS SERVICE

6. Switched Access Service (Cont'd)6.2 Provision and Description of Switched Access Service Arrangements (Cont'd)

Terminating calling permits the delivery of calls from the customer's premises to Telephone Exchange Service locations. Two-way calling permits the delivery of calls in both directions, but not simultaneously. The Telephone Company will determine the type of calling to be provided unless the customer requests that a different type of directional calling is to be provided. In such cases, the Telephone Company will work cooperatively with the customer to determine the directionality.

There are various chargeable and nonchargeable optional features available with Switched Access Service. These additional optional features are provided as Switched Transport and Local Switching options.

Following are detailed descriptions of each of the available Switched Access Services. Each service is described in terms of its specific physical characteristics and calling capabilities, the transmission specifications with which it is provided, optional features available for use with it and the standard testing capabilities.

The Local Switching optional features, which are described in 6.3 following, unless specifically stated otherwise, are available at all suitably equipped Telephone Company end office switches.

ISSUE DATE:
February 28, 2011

Issued Under Transmittal No. 1
Vice President-Regulatory Operations
100 CenturyLink Drive
Monroe, Louisiana 71203

EFFECTIVE DATE:
March 1, 2011

ACCESS SERVICE

6. Switched Access Service (Cont'd)6.2 Provision and Description of Switched Access Service Arrangements (Cont'd)6.2.1 Feature Group A (FGA)(A) Description

- (1) FGA is provided in connection with Telephone Company electronic end offices. At the option of the customer, FGA is provided on a single or multiple line group basis and is arranged for originating calling only, terminating calling only, or two-way calling.
- (2) FGA provides a line side termination at the first point of switching. The line side termination will be provided with either ground start supervisory signaling or loop start supervisory signaling. The type of signaling is at the option of the customer.
- (3) The Telephone Company shall select the first point of switching, within the selected LATA, at which the line side termination is to be provided unless the customer requests a different first point of switching and Telephone Company facilities and measurement capabilities, where necessary, are available to accommodate such a request.

ISSUE DATE:
February 28, 2011

Issued Under Transmittal No. 1
Vice President-Regulatory Operations
100 CenturyLink Drive
Monroe, Louisiana 71203

EFFECTIVE DATE:
March 1, 2011

ACCESS SERVICE

6. Switched Access Service (Cont'd)6.2 Provision and Description of Switched Access Service Arrangements (Cont'd)6.2.1 Feature Group A (FGA) (Cont'd)(A) Description (Cont'd)

- (4) A seven digit local telephone number assigned by the Telephone Company is provided for access to FGA switching in the originating direction. The seven digit local telephone number will be associated with the selected end office switch and is of the form NXX-XXXX.

If the customer requests a specific seven digit telephone number that is not currently assigned, and the Telephone Company can, with reasonable effort, comply with that request, the requested number will be assigned to the customer.

- (5) FGA switching, when used in the terminating direction, is arranged with dial tone start-dial signaling. When used in the terminating direction FGA switching may, at the option of the customer, be arranged for dial pulse or dual tone multifrequency address signaling, subject to availability of equipment at the first point of switching. When FGA switching is provided in a hunt group or uniform call distribution arrangement, all FGA switching will be arranged for the same type of address signaling.

ISSUE DATE:
February 28, 2011

Issued Under Transmittal No. 1
Vice President-Regulatory Operations
100 CenturyLink Drive
Monroe, Louisiana 71203

EFFECTIVE DATE:
March 1, 2011

ACCESS SERVICE

6. Switched Access Service (Cont'd)6.2 Provision and Description of Switched Access Service Arrangements (Cont'd)6.2.1 Feature Group A (FGA) (Cont'd)(A) Description (Cont'd)

- (6) No address signaling is provided by the Telephone Company when FGA Switching is used in the originating direction. Address signaling in such cases, if required by the customer must be provided by the customer's end user using inband tone signaling techniques. Such inband tone address signals will not be regenerated by the Telephone Company and will be subject to the ordinary transmission capabilities of the Switched Transport provided.
- (7) FGA switching, when used in the terminating direction, may be used to access valid NXXs in the LATA, local operator assistance (0- and 0+), Directory Assistance (411 where available and 555-1212), emergency reporting service (911 where available), exchange telephone repair (611 where available), time or weather announcement services of the Telephone Company, community information services of an information service provider, and other customer services (by dialing the appropriate digits). Charges for FGA terminating calls requiring operator assistance or calls to 611 or 911 will only apply where sufficient call details are available.

ISSUE DATE:
February 28, 2011

Issued Under Transmittal No. 1
Vice President-Regulatory Operations
100 CenturyLink Drive
Monroe, Louisiana 71203

EFFECTIVE DATE:
March 1, 2011

ACCESS SERVICE

6. Switched Access Service (Cont'd)6.2 Provision and Description of Switched Access Service Arrangements (Cont'd)6.2.1 Feature Group A (FGA) (Cont'd)(A) Description (Cont'd)

(7) (Cont'd)

Additional non-access charges will also be billed on a separate account for (1) an operator surcharge, as set forth in the local exchange tariffs, for local operator assistance (0- and 0+) calls; (2) calls to certain community information services, for which rates are applicable under Telephone Company exchange service tariffs, e.g., 976 (DIAL-IT) Network Services and, (3) calls from a FGA line to another customer's service in accordance with that customer's applicable service rates when the Telephone Company performs the billing function for that customer, including interLATA toll (1+) calls. For calls to Directory Assistance (411 where available and 555-1212), Switched Transport rates for FGA Switched Access Service will apply.

- (8) When a FGA switching arrangement for an individual customer (a single line or entire hunt group) is discontinued at an end office, an intercept announcement is provided. This arrangement provides, for a period of 90 days, an announcement that the service associated with the number dialed has been disconnected.

ISSUE DATE:
February 28, 2011

Issued Under Transmittal No. 1
Vice President-Regulatory Operations
100 CenturyLink Drive
Monroe, Louisiana 71203

EFFECTIVE DATE:
March 1, 2011

ACCESS SERVICE

6. Switched Access Service (Cont'd)6.2 Provision and Description of Switched Access Service Arrangements (Cont'd)6.2.1 Feature Group A (FGA) (Cont'd)(B) Optional Features (where equipment is available)(1) Local Switching Optional Features

- (a) Hunt Group Arrangement
- (b) Uniform Call Distribution Arrangement
- (c) Nonhunting Number for Use with Hunt Group Arrangement or Uniform Call Distribution Arrangement
- (d) Call Denial
- (e) Service Code Denial
- (f) InterLATA Call Denial
- (g) Hunt Group Arrangement for Use with Special Access Service utilized for connection with Switched Access Service
- (h) Uniform Call Distribution Arrangement for Use with Special Access Service utilized for connection with Switched Access Service
- (i) Nonhunting Number for Use with Hunt Group Arrangement or Uniform Call Distribution Arrangement for Use with Special Access Service utilized for connection with Switched Access Service
- (j) Band Advance Arrangement for Use with Special Access Service utilized for connection with Switched Access Service
- (k) Two-way operation with dial pulse address signaling and loop start supervisory signaling.
- (l) Two-way operation with dial pulse address signaling and ground start supervisory signaling.
- (m) Two-way operation with dual tone multifrequency address signaling and loop start supervisory signaling

ISSUE DATE:
February 28, 2011

Issued Under Transmittal No. 1
Vice President-Regulatory Operations
100 CenturyLink Drive
Monroe, Louisiana 71203

EFFECTIVE DATE:
March 1, 2011

ACCESS SERVICE

6. Switched Access Service (Cont'd)6.2 Provision and Description of Switched Access Service Arrangements (Cont'd)6.2.1 Feature Group A (FGA) (Cont'd)(B) Optional Features (where equipment is available) (Cont'd)(1) Local Switching Optional Features (Cont'd)

- (n) Two-way operation with dual tone multifrequency address signaling and ground start supervisory signaling
- (o) Terminating operation with dial pulse address signaling and loop start supervisory signaling
- (p) Terminating operation with dial pulse address signaling and ground start supervisory signaling
- (q) Terminating operation with dual tone multi-frequency address signaling and loop start supervisory signaling
- (r) Terminating operation with dual tone multi-frequency address signaling and ground start supervisory signaling
- (s) Originating operation with loop start supervisory signaling
- (t) Originating operation with ground start supervisory signaling
- (u) Call Screening
- (v) Call Restriction

(2) Switched Transport Optional Features

- (a) Supervisory Signaling
- (b) Improved Return Loss
- (c) Data Transmission Parameters

ISSUE DATE:
February 28, 2011

Issued Under Transmittal No. 1
Vice President-Regulatory Operations
100 CenturyLink Drive
Monroe, Louisiana 71203

EFFECTIVE DATE:
March 1, 2011

ACCESS SERVICE

6. Switched Access Service (Cont'd)6.2 Provision and Description of Switched Access Service Arrangements (Cont'd)6.2.1 Feature Group A (FGA) (Cont'd)(B) Optional Features (where equipment is available) (Cont'd)

- (3) Certain other features which may be available in connection with Feature Group A are provided under the Telephone Company's local and/or general exchange service tariffs. These are:

- (a) Custom Calling Features
- (b) Bill Number Screening
- (c) IntraLATA Extensions

(C) Transmission Performance

FGA is provided with either Type B or Type C Transmission Specifications. The specifications for the associated parameters are guaranteed to the first point of switching. Type C Transmission specifications are provided with Interface Group 1 and Type B is provided with Interface Groups 2 through 9. Type DB Data Transmission Parameters are provided with FGA to the first point of switching.

(D) Testing Capabilities

FGA is provided, in the terminating direction where equipment is available, with seven digit access to balance (100 type) test line and milliwatt (102 type) test line. In addition to the Acceptance Tests described in 6.1.5 preceding, which are included with the installation of service, additional tests are available for FGA as set forth in 13.1.10 following.

ISSUE DATE:
February 28, 2011

Issued Under Transmittal No. 1
Vice President-Regulatory Operations
100 CenturyLink Drive
Monroe, Louisiana 71203

EFFECTIVE DATE:
March 1, 2011

ACCESS SERVICE

6. Switched Access Service (Cont'd)6.2 Provision and Description of Switched Access Service Arrangements (Cont'd)6.2.2 Feature Group B (FGB)(A) Description

- (1) FGB, when directly routed to an end office (i.e., provided without the use of an access tandem switch), is provided at appropriately equipped Telephone Company electronic end office switches. When provided via Telephone Company designated electronic access tandem switches, FGB switching is provided at Telephone Company electronic end office switches.
- (2) FGB is provided as trunk side switching through the use of end office or access tandem switch trunk equipment. The switch trunk equipment is provided with wink start start-pulsing signals and answer and disconnect supervisory signaling.

ISSUE DATE:
February 28, 2011

Issued Under Transmittal No. 1
Vice President-Regulatory Operations
100 CenturyLink Drive
Monroe, Louisiana 71203

EFFECTIVE DATE:
March 1, 2011

ACCESS SERVICE

6. Switched Access Service (Cont'd)6.2 Provision and Description of Switched Access Service Arrangements (Cont'd)6.2.2 Feature Group B (FGB) (Cont'd)(A) Description (Cont'd)

- (3) FGB switching is provided with multifrequency address signaling in both the originating and terminating directions. Except for FGB switching provided with the automatic number identification (ANI) or rotary dial station signaling arrangements as set forth in 6.3 following, any other address signaling in the originating direction, if required by the customer, must be provided by the customer's end user using inband tone signaling techniques. Such inband tone address signals will not be regenerated by the Telephone Company and will be subject to the ordinary transmission capabilities of the Switched Transport provided.
- (4) The access code for FGB switching is a uniform access code. The form of the uniform access code is 950-XXXX for carriers.

These uniform access codes will be the assigned access numbers of all FGB Switched Access Service provided to the customer by the Telephone Company.

ISSUE DATE:
February 28, 2011

Issued Under Transmittal No. 1
Vice President-Regulatory Operations
100 CenturyLink Drive
Monroe, Louisiana 71203

EFFECTIVE DATE:
March 1, 2011

ACCESS SERVICE

6. Switched Access Service (Cont'd)6.2 Provision and Description of Switched Access Service Arrangements (Cont'd)6.2.2 Feature Group B (FGB) (Cont'd)(A) Description (Cont'd)

- (5) FGB switching, when used in the terminating direction and routed through an access tandem, may be used to access only valid NXX codes served by end offices subtending the access tandem, time or weather announcement services of the Telephone Company, community information services of an information service provider and other customers' services (by dialing the appropriate digits). When used in the terminating direction and directly routed to an end office, FGB switching may be used to access only those valid NXX codes served by that end office, time or weather announcement services of the Telephone Company, community information services of an information provider, and other customers' services (by dialing the appropriate digits). When a provider of MTS and WATS subscribes to both FGB and FGD at an end office or to both FGB and FGC at any end office, all such FGB, FGC, and FGD usage originating and terminating at those end offices will be subject to the Switched Transport and Local Switching - LS2 rates set forth in 3.9 and 6.8. The customer will be billed additional non-access charges for calls to certain community information services for which rates are applicable under Telephone Company exchange service tariffs, e.g., 976 (DIAL-IT) Network Services.

(C)

(C)

ISSUE DATE:
January 30, 2014Issued Under Transmittal No. 51
Vice President-Regulatory Operations
100 CenturyLink Drive
Monroe, Louisiana 71203EFFECTIVE DATE:
February 14, 2014

ACCESS SERVICE

6. Switched Access Service (Cont'd)6.2 Provision and Description of Switched Access Service Arrangements (Cont'd)6.2.2 Feature Group B (FGB) (Cont'd)(A) Description (Cont'd)

(5) (Cont'd)

Additionally, non-access charges will also be billed for calls from a FGB trunk to another customer's service in accordance with that customer's applicable service rates when the Telephone Company performs the billing function for the customer. Calls in the terminating direction will not be completed to 950-XXXX access codes, local operator assistance (0- and 0+), Directory Assistance (411 where available and 555-1212), service codes (611 and 911 where available) or 101XXXX access codes. FGB may not be switched, in the terminating direction, to Switched Access Service Feature Groups B, C and D, nor to extended area service (EAS) end offices not subtending the FGB access tandem.

ISSUE DATE:
February 28, 2011

Issued Under Transmittal No. 1
Vice President-Regulatory Operations
100 CenturyLink Drive
Monroe, Louisiana 71203

EFFECTIVE DATE:
March 1, 2011

ACCESS SERVICE

6. Switched Access Service (Cont'd)6.2 Provision and Description of Switched Access Service Arrangements (Cont'd)6.2.2 Feature Group B (FGB) (Cont'd)(A) Description (Cont'd)

- (6) The Telephone Company will establish a trunk group or groups for the customer at end office switches or access tandem switches where FGB switching is provided. When required by technical limitations, a separate trunk group will be established for each type of FGB switching arrangement provided. Different types of FGB or other switching arrangements may be combined in a single trunk group at the option of the Telephone Company.
- (7) When all FGB switching arrangements are discontinued at an end office, an intercept announcement is provided. This arrangement provides, for a period of 90 days, an announcement that the service associated with the number dialed has been disconnected.

ISSUE DATE:
February 28, 2011

Issued Under Transmittal No. 1
Vice President-Regulatory Operations
100 CenturyLink Drive
Monroe, Louisiana 71203

EFFECTIVE DATE:
March 1, 2011

ACCESS SERVICE

6. Switched Access Service (Cont'd)

6.2 Provision and Description of Switched Access Service Arrangements (Cont'd)

6.2.2 Feature Group B (FGB) (Cont'd)

(B) Optional Features (where equipment is available)

(1) Local Switching Optional Features

- (a) Automatic Number Identification (ANI)
- (b) Up to 7 Digit Outpulsing of Access Digits to Customer
- (c) Alternate Traffic Routing
- (d) Hunt Group Arrangement for Use with Special Access Service utilized for connection with Switched Access Service
- (e) Uniform Call Distribution Arrangement for Use with Special Access Service utilized for connection with Switched Access Service
- (f) Nonhunting Number for Use with Hunt Group Arrangement or Uniform Call Distribution Arrangement for Use with Special Access Service utilized for connection with Switched Access Service
- (g) Band Advance Arrangement for Use with Special Access Service utilized for connection with Switched Access Service
- (h) Rotary Dial Station Signaling

ISSUE DATE:
February 28, 2011

Issued Under Transmittal No. 1
Vice President-Regulatory Operations
100 CenturyLink Drive
Monroe, Louisiana 71203

EFFECTIVE DATE:
March 1, 2011

ACCESS SERVICE

6. Switched Access Service (Cont'd)6.2 Provision and Description of Switched Access Service Arrangements (Cont'd)6.2.2 Feature Group B (FGB) (Cont'd)(B) Optional Features (where equipment is available) (Cont'd)(1) Local Switching Optional Feature (Cont'd)

(i) Multifrequency Address Signaling

(2) Switched Transport Optional Features

(a) Supervisory Signaling

(b) Improved Return Loss

(c) Data Transmission Parameters

(d) Provision of Other Than Telephone Company
Selected Traffic Routing(e) Customer Specification of Feature Group
Directionality(f) Customer Specification of Switched Transport
Termination

(3) Another feature, Bill Number Screening, which may be available in connection with FGB, is provided under the Telephone Company's local and/or general exchange service tariffs.

ISSUE DATE:
February 28, 2011Issued Under Transmittal No. 1
Vice President-Regulatory Operations
100 CenturyLink Drive
Monroe, Louisiana 71203EFFECTIVE DATE:
March 1, 2011

ACCESS SERVICE

6. Switched Access Service (Cont'd)6.2 Provision and Description of Switched Access Service Arrangements (Cont'd)6.2.2 Feature Group B (FGB) (Cont'd)(C) Transmission Performance

FGB is provided with either Type B or Type C Transmission Specifications. The specifications for the associated parameters are guaranteed to the end office when routed directly or to the first point of switching when routed via an access tandem. Type C Transmission specifications are provided with Interface Group 1 and Type B is provided with Interface Groups 2 through 9. Type DB Data Transmission Parameters are provided with FGB to the first point of switching.

Transmission specifications for CCS7 signaling connections are set forth in Technical Reference Publication GR-905.

(D) Testing Capabilities

FGB is provided, in the terminating direction where equipment is available, with seven digit access to balance (100 type) test line, milliwatt (102 type) test line, nonsynchronous or synchronous test line, automatic transmission measuring (105 type) test line, data transmission (107 type) test line, loop around test line, short circuit test line and open circuit test line. In addition to the Acceptance Tests described in 6.1.5 preceding, which are included with the installation of service, additional tests are available as set forth in 13.1.10 following.

ISSUE DATE:
February 28, 2011

Issued Under Transmittal No. 1
Vice President-Regulatory Operations
100 CenturyLink Drive
Monroe, Louisiana 71203

EFFECTIVE DATE:
March 1, 2011

ACCESS SERVICE

6. Switched Access Service (Cont'd)6.2 Provision and Description of Switched Access Service Arrangements (Cont'd)6.2.3 Feature Group C (FGC)(A) Description

- (1) FGC is provided at all Telephone Company end office switches on a direct trunk basis or via Telephone Company designated access tandem switches. FGC switching is provided to the customer (i.e., providers of MTS and WATS) at an end office switch unless Feature Group D end office switching is provided in the same office. When FGD switching is available, FGC switching will not be provided.
- (2) FGC is provided as trunk side switching through the use of end office or access tandem switch trunk equipment. The switch trunk equipment is provided with answer and disconnect supervisory signaling. Wink start start-pulsing signals are provided in all offices where available. In those offices where wink start start-pulsing signals are not available, delay dial start-pulsing signals will be provided, unless immediate dial pulse signaling is provided, in which case no start-pulsing signals are provided.

ISSUE DATE:
February 28, 2011

Issued Under Transmittal No. 1
Vice President-Regulatory Operations
100 CenturyLink Drive
Monroe, Louisiana 71203

EFFECTIVE DATE:
March 1, 2011

ACCESS SERVICE

6. Switched Access Service (Cont'd)6.2 Provision and Description of Switched Access Service Arrangements (Cont'd)6.2.3 Feature Group C (FGC) (Cont'd)(A) Description (Cont'd)

- (3) FGC is provided with multifrequency address signaling. Up to 12 digits of the called party number dialed by the customer's end user using dual tone multifrequency or dial pulse address signals will be provided by Telephone Company equipment to the customer's premises where the Switched Access Service terminates. Such called party number signals will be subject to the ordinary transmission capabilities of the Switched Transport provided.
- (4) No access code is required for FGC switching. The telephone number dialed by the customer's end user shall be a seven or ten digit number for calls in the North American Numbering Plan (NANP). For inter-national calls outside the NANP, a seven to twelve digit number may be dialed. The form of the numbers dialed by the customer's end user is NXX-XXXX, 0 or 1 + NXX-XXXX, NPA + NXX-XXXX, 0 or 1 + NPA + NXX-XXXX, and, when the end office is equipped for Inter-national Direct Distance Dialing (IDDD), 01 + CC + NN or 011 + CC + NN.

ISSUE DATE:
February 28, 2011

Issued Under Transmittal No. 1
Vice President-Regulatory Operations
100 CenturyLink Drive
Monroe, Louisiana 71203

EFFECTIVE DATE:
March 1, 2011

ACCESS SERVICE

6. Switched Access Service (Cont'd)6.2 Provision and Description of Switched Access Service Arrangements (Cont'd)6.2.3 Feature Group C (FGC) (Cont'd)(A) Description (Cont'd)

- (5) FGC switching, when used in the terminating direction, may be used to access valid NXXs in the local exchange, time or weather announcement services of the Telephone Company, community information services of an information provider, and other customers' services (by dialing the appropriate codes) when the services can be reached using valid NXX codes. When directly routed to an end office, only those valid NXX codes served by that office may be accessed. When routed through an access tandem, only those valid NXX codes served by offices subtending the access tandem may be accessed. Where measurement capabilities exist, the customer will also be billed additional non-access charges for calls to certain community information services, for which rates are applicable under Telephone Company exchange service tariffs, e.g., 976 (DIAL-IT) Network Services. Additionally, non-access charges will also be billed for calls from a FGC trunk to another customer's service in accordance with that customer's applicable service rates when the Telephone Company

ISSUE DATE:
February 28, 2011

Issued Under Transmittal No. 1
Vice President-Regulatory Operations
100 CenturyLink Drive
Monroe, Louisiana 71203

EFFECTIVE DATE:
March 1, 2011

ACCESS SERVICE

6. Switched Access Service (Cont'd)6.2 Provision and Description of Switched Access Service Arrangements (Cont'd)6.2.3 Feature Group C (FGC) (Cont'd)(A) Description (Cont'd)

(5) (Cont'd)

performs the billing function for that customer. Calls in the terminating direction will not be completed to 950-XXXX access codes, local operator assistance (0- and 0+), Directory Assistance (411 and 555-1212), service codes 611 and 911, and 101XXXX access codes. Calls will be completed to Directory Assistance (NPA-555-1212 and 555-1212) when FGC switching is combined with Directory Assistance switching. The combination of FGC Switched Access Service with DA Service is provided as set forth in Section 9 following. FGC may not be switched, in the terminating direction, to Switched Access Service Feature Groups B, C or D.

(6) The Telephone Company will establish a trunk group or groups for the customer at end office switches or access tandem switches where FGC switching is provided. When required for technical limitations, a separate trunk group will be established for each type of FGC switching arrangement provided. Different types of FGC or other switching arrangements may be combined in a single trunk group at the option of the Telephone Company.

ISSUE DATE:
February 28, 2011

Issued Under Transmittal No. 1
Vice President-Regulatory Operations
100 CenturyLink Drive
Monroe, Louisiana 71203

EFFECTIVE DATE:
March 1, 2011

ACCESS SERVICE

6. Switched Access Service (Cont'd)6.2 Provision and Description of Switched Access Service Arrangements (Cont'd)6.2.3 Feature Group C (FGC) (Cont'd)(B) Optional Features (where equipment is available)(1) Local Switching Optional Features

- (a) Automatic Number Identification (ANI)
- (b) Service Class Routing
- (c) Dial Pulse Address Signaling
- (d) Revertive Pulse Address Signaling
- (e) Delay Dial Start-Pulsing Signaling
- (f) Immediate Dial Pulse Address Signaling
- (g) Panel Call Indicator Address Signaling
- (h) Alternate Traffic Routing
- (i) Trunk Access Limitation
- (j) End Office End User Line Service Screening for Use with Special Access Service utilized for connection with Switched Access Service
- (k) Hunt Group Arrangement for Use with Special Access Service utilized for connection with Switched Access Service
- (l) Uniform Call Distribution Arrangement for Use with Special Access Service utilized for connection with Switched Access Service
- (m) Nonhunting Number for Use with Hunt Group Arrangement or Uniform Call Distribution Arrangement for Use with Special Access Service utilized for connection with Switched Access Service
- (n) Band Advance Arrangement for Use with Special Access Service utilized for connection with Switched Access Service
- (o) Operator Trunks - i.e., Pay Telephone (Pay trunks are provided only at Telephone Company electronic end offices and other Telephone Company end offices where equipment is available.)
- (p) Multifrequency Address Signaling

ISSUE DATE:
February 28, 2011

Issued Under Transmittal No. 1
Vice President-Regulatory Operations
100 CenturyLink Drive
Monroe, Louisiana 71203

EFFECTIVE DATE:
March 1, 2011

ACCESS SERVICE

6. Switched Access Service (Cont'd)6.2 Provision and Description of Switched Access Service Arrangements (Cont'd)6.2.3 Feature Group C (FGC) (Cont'd)(B) Optional Features (where equipment is available) (Cont'd)(2) Switched Transport Optional Features

- (a) Supervisory signaling
- (b) Improved Return Loss
- (c) Data Transmission Parameters
- (d) Provision of Other Than Telephone Company Selected Traffic Routing
- (e) Customer Specifications of Feature Group Directionality

(C) Transmission Specifications

FGC is provided with either Type B or Type C Transmission Specifications as follows:

- When routed directly to the end office either Type B or Type C is provided.
- When routed to an access tandem only Type B is provided.
- Type B or Type C is provided on the transmission path from the access tandem to the end office.

Type C Transmission Specifications are provided with Interface Group 1 when routed directly to an end office. Type B is provided with Interface Groups 2 through 9, whether routed directly to an end office or to an access tandem.

ISSUE DATE:
February 28, 2011

Issued Under Transmittal No. 1
Vice President-Regulatory Operations
100 CenturyLink Drive
Monroe, Louisiana 71203

EFFECTIVE DATE:
March 1, 2011

ACCESS SERVICE

6. Switched Access Service (Cont'd)6.2 Provision and Description of Switched Access Service Arrangements (Cont'd)6.2.3 Feature Group C (FGC) (Cont'd)(C) Transmission Specifications (Cont'd)

Type DB Data Transmission Parameters are provided with FGC for the transmission path between the customer's premises and the end office when directly routed to the end office, and Type DB Data Transmission Parameters are provided for the transmission path between the customer's premises and the access tandem and between the access tandem and the end office when routed via an access tandem.

(D) Testing Capabilities

FGC is provided, in the terminating direction where equipment is available, with seven digit access to balance (100 type) test line, milliwatt (102 type) test line, nonsynchronous or synchronous test line, automatic transmission measuring (105 type) test line, data transmission (107 type) test line, loop around test line, short circuit test line and open circuit test line. In addition to the Acceptance and Routine Tests described in 6.1.5 preceding, additional tests are available as set forth in 13.1.10 following.

ISSUE DATE:
February 28, 2011

Issued Under Transmittal No. 1
Vice President-Regulatory Operations
100 CenturyLink Drive
Monroe, Louisiana 71203

EFFECTIVE DATE:
March 1, 2011

ACCESS SERVICE

6. Switched Access Service (Cont'd)6.2 Provision and Description of Switched Access Service Arrangements (Cont'd)6.2.4 Feature Group D (FGD)(A) Description

- (1) FGD is provided at Telephone Company designated electronic end office switches whether routed directly or via Telephone Company designated electronic access tandem switches.
- (2) FGD is provided as trunk side switching through the use of end office or access tandem switch trunk equipment. The switch trunk equipment is provided with wink start start-pulsing signals and answer and disconnect supervisory signaling.
- (3) FGD switching is provided with inband multifrequency address signaling or out of band SS7 signaling. With multifrequency address signaling and SS7 signaling, up to 12 digits of the called party number dialed by the customer's end user using dual tone multifrequency or dial pulse address signals will be provided by Telephone Company equipment to the customer's premises where the Switched Access Service terminates. Such address signals will be subject to the ordinary transmission capabilities of the Switched Transport provided.

ISSUE DATE:
February 28, 2011

Issued Under Transmittal No. 1
Vice President-Regulatory Operations
100 CenturyLink Drive
Monroe, Louisiana 71203

EFFECTIVE DATE:
March 1, 2011

ACCESS SERVICE

6. Switched Access Service (Cont'd)6.2 Provision and Description of Switched Access Service Arrangements (Cont'd)6.2.4 Feature Group D (FGD) (Cont'd)(A) Description (Cont'd)

- (4) FGD switching, when used in the terminating direction, may be used to access valid NXXs in the local exchange, time or weather announcement services of the Telephone Company, community information services of an information service provider, and other customers' services (by dialing the appropriate codes) when such services can be reached using valid NXX codes. When directly routed to an end office, only those valid NXX codes served by that office may be accessed. When routed through an access tandem, only those valid NXX codes served by end offices subtending the access tandem may be accessed. The customer will also be billed additional non-access charges for calls to certain community information services, for which rates are applicable under Telephone Company exchange service tariffs, e.g., 976 (DIAL-IT) Network Service. Additionally, non-access charges will also be billed for calls from a FGD trunk to another customer's service in accordance with that customer's applicable service rates when the Telephone Company performs the billing function for that customer.

ISSUE DATE:
February 28, 2011

Issued Under Transmittal No. 1
Vice President-Regulatory Operations
100 CenturyLink Drive
Monroe, Louisiana 71203

EFFECTIVE DATE:
March 1, 2011

ACCESS SERVICE

6. Switched Access Service (Cont'd)6.2 Provision and Description of Switched Access Service Arrangements (Cont'd)6.2.4 Feature Group D (FGD) (Cont'd)(A) Description (Cont'd)

(4) (Cont'd)

Calls in the terminating direction will not be completed to 950-XXXX access codes, local operator assistance (0- and 0+), Directory Assistance (411 and 555-1212), service codes 611 and 911, and 101XXXX access codes. Calls will be completed to Directory Assistance (NPA-555-1212 and 555-1212) when FGD switching is combined with Directory Assistance switching. The combination of FGD Switched Access Service with DA Service is provided as set forth in Section 9 following. FGD may not be switched, in the terminating direction, to Switched Access Service Feature Groups B, C or D.

- (5) The Telephone Company will establish a trunk group or groups for the customer at end office switches or access tandem switches where FGD switching is provided. When required by technical limitations, a separate trunk group will be established for each type of FGD switching arrangement provided. Different types of FGD or other switching arrangements may be combined in a single trunk group at the option of the Telephone Company.

ISSUE DATE:
February 28, 2011

Issued Under Transmittal No. 1
Vice President-Regulatory Operations
100 CenturyLink Drive
Monroe, Louisiana 71203

EFFECTIVE DATE:
March 1, 2011

ACCESS SERVICE

6. Switched Access Service (Cont'd)6.2 Provision and Description of Switched Access Service Arrangements (Cont'd)6.2.4 Feature Group D (FGD) (Cont'd)(A) Description (Cont'd)

- (6) The access code for FGD switching is a uniform access code of the form 101XXXX. This uniform access code will be the assigned access number of all FGD access provided to the customer by the Telephone Company. No access code is required for calls to a customer over FGD Switched Access Service if the end user's telephone exchange service is arranged for presubscription to that customer as set forth in Section 13 following.

Where no access code is required, the number dialed by the customer's end user shall be a seven or ten digit number for calls in the North American Numbering Plan (NANP). For international calls outside the NANP, a twelve to fifteen digit number may be dialed. The form of the numbers dialed by the customer's end user is NXX-XXXX, 0 or 1 + NXX-XXXX, NPA + NXX-XXXX, 0 or 1 + NPA + NXX-XXXX, and, when the end office is equipped for International Direct Distance Dialing (IDDD), 01 + CC + NN or 011 + CC + NN.

When the 101XXXX access code is used, FGD switching also provides for dialing the digit 0 for access to the customer's operator, 911 for access to the Telephone Company's emergency reporting service, or at the customer's option, the end-of-dialing digit (#) for cut-through access to the customer's premises.

ISSUE DATE:
February 28, 2011

Issued Under Transmittal No. 1
Vice President-Regulatory Operations
100 CenturyLink Drive
Monroe, Louisiana 71203

EFFECTIVE DATE:
March 1, 2011

ACCESS SERVICE

6. Switched Access Service (Cont'd)6.2 Provision and Description of Switched Access Service Arrangements (Cont'd)6.2.4 Feature Group D (FGD) (Cont'd)(A) Description (Cont'd)

- (7) FGD switching will be arranged to accept calls from telephone exchange service locations without the need for dialing the 101XXXX uniform access code. Each telephone exchange service line may be marked with a presubscription code to identify which 101XXXX code its calls will be directed to for interLATA service. Presubscription codes are applied as set forth in Section 13 following.

FGD also may be used to recognize originating calls where the Customer permits its End Users to use a personal identification number (PIN) when dialing 101XXXX to access the Customer's terminal. Upon receipt of a tone the End User will input his PIN and the called party number. Depending on the Customer's capability, he may or may not receive an acknowledgment tone after dialing the PIN. This dialing method is available only to End Users with DTMF address signaling. There is no additional charge for this dialing capability.

- (8) When a customer has had FGB access in an end office and subsequently replaces the FGB access with FGD access, at the mutual agreement of the customer and the Telephone Company, the Telephone Company will, for a period of 90 days, direct calls dialed by the customer's end users using the customer's previous FGB access code to the customer's FGD access service. The customer must be prepared to handle normally dialed FGD calls as well as calls dialed with the FGB access code which requires the customer to receive additional address signaling from the end user. Such calls will be rated as FGD.

ISSUE DATE:
February 28, 2011

Issued Under Transmittal No. 1
Vice President-Regulatory Operations
100 CenturyLink Drive
Monroe, Louisiana 71203

EFFECTIVE DATE:
March 1, 2011

ACCESS SERVICE

6. Switched Access Service (Cont'd)6.2 Provision and Description of Switched Access Service Arrangements (Cont'd)6.2.4 Feature Group D (FGD) (Cont'd)(B) Optional Features (where equipment is available)(1) Local Switching Optional Features

- (a) Automatic Number Identification (ANI)
- (b) Service Class Routing
- (c) Alternate Traffic Routing
- (d) Call Gapping Arrangement
- (e) Trunk Access Limitation
- (f) International Carrier Option
- (g) End Office End User Line Service Screening for Use with Special Access Service utilized for connection with Switched Access Service
- (h) Hunt Group Arrangement for Use with Special Access Service utilized for connection with Switched Access Service
- (i) Uniform Call Distribution Arrangement for Use with Special Access Service utilized for connection with Switched Access Service
- (j) Nonhunting Number for Use with Hunt Group Arrangement or Uniform Call Distribution Arrangement for Use with Special Access Service utilized for connection with Switched Access Service
- (k) Band Advance Arrangement for Use with Special Access Service utilized for connection with Switched Access Service
- (l) Cut-Through
- (m) Operator Trunk, Full Feature Arrangement
- (n) Flexible Automatic Number Identification (Flex ANI)
- (o) Multifrequency Address Signaling
- (p) Signaling System 7 (SS7) Signaling

ISSUE DATE:
February 28, 2011

Issued Under Transmittal No. 1
Vice President-Regulatory Operations
100 CenturyLink Drive
Monroe, Louisiana 71203

EFFECTIVE DATE:
March 1, 2011

ACCESS SERVICE

6. Switched Access Service (Cont'd)6.2 Provision and Description of Switched Access Service Arrangements (Cont'd)6.2.4 Feature Group D (FGD) (Cont'd)(B) Optional Features (Cont'd)(1) Local Switching Optional Features (Cont'd)

- (q) Specification of Feature Group Directionality
- (r) Common Channel Signaling/Signaling System 7 (CCS/SS7) with optional features as follows:
 - (1) Charge Number (CN)
 - (2) Carrier Selection Parameter (CSP)
 - (3) Carrier Identification Parameter (CIP)
- (s) Switched 64 Clear Channel Capability
- (t) Feature Group D with 950 Access
- (u) Intrastate Carrier Option

(2) Switched Transport Optional Features (where equipment is available)

- (a) Supervisory Signaling
- (b) Improved Return Loss
- (c) Data Transmission Parameters
- (d) Provision of Other Than Telephone Company Selected Traffic Routing
- (e) Customer Specification of Feature Group Directionality

(3) End Office Signaling Service

ISSUE DATE:
February 28, 2011

Issued Under Transmittal No. 1
Vice President-Regulatory Operations
100 CenturyLink Drive
Monroe, Louisiana 71203

EFFECTIVE DATE:
March 1, 2011

ACCESS SERVICE

6. Switched Access Service (Cont'd)6.2 Provision and Description of Switched Access Service Arrangements (Cont'd)6.2.4 Feature Group D (FGD) (Cont'd)(C) Transmission Specifications

FGD is provided with either Type A, Type B or Type C Transmission Specifications as follows:

- When routed directly to the end office either Type B or C is provided.
- When routed to an access tandem only Type A is provided.
- Type A is provided on the transmission path from the access tandem to the end office.

Type C Transmission Specifications are provided with Interface Group 1. Type A and Type B Transmission Specifications are provided with Interface Groups 2 through 9.

Type DA Data Transmission Parameters are provided for the transmission path between the customer's premises and the access tandem and between the access tandem and the end office. Type DB Data Transmission Parameters are provided with FGD for the transmission path between the customer's premises and the end office when directly routed to the end office.

ISSUE DATE:
February 28, 2011

Issued Under Transmittal No. 1
Vice President-Regulatory Operations
100 CenturyLink Drive
Monroe, Louisiana 71203

EFFECTIVE DATE:
March 1, 2011

ACCESS SERVICE

6. Switched Access Service (Cont'd)6.2 Provision and Description of Switched Access Service Arrangements (Cont'd)6.2.4 Feature Group D (FGD) (Cont'd)(D) Testing Capabilities

FGD is provided, in the terminating direction where equipment is available, with seven digit access to balance (100 type) test line, milliwatt (102 type) test line, nonsynchronous or synchronous test line, automatic transmission measuring (105 type) test line, data transmission (107 type) test line, loop around test line, short circuit test line and open circuit test line. In addition to the Acceptance and Routine Tests described in 6.1.5 preceding, additional tests are available for FGD as set forth in 13.1.10 following. When SS7 Signaling is ordered, network compatibility and other operational tests will be performed cooperatively by the Telephone Company and the customer as specified in Technical Reference Publication GR-905.

ISSUE DATE:
February 28, 2011

Issued Under Transmittal No. 1
Vice President-Regulatory Operations
100 CenturyLink Drive
Monroe, Louisiana 71203

EFFECTIVE DATE:
March 1, 2011

ACCESS SERVICE

6. Switched Access Service (Cont'd)6.2 Provision and Description of Switched Access Service Arrangements (Cont'd)6.2.5 Toll Free Code (TFC) Access Service(A) Description

TFC Access Service is an originating trunk side switched service that is available to the customer via TFC Access Service trunk groups, or may be provided in conjunction with FGB, FGC, or FGD. The service provides for the forwarding of end user dialed TFC calls to a Telephone Company Service Switching Point (SSP) which will initiate a TFC data base query to the Telephone Company's TFC data base to perform the customer identification function. The call is forwarded to the appropriate customer based on the dialed TFC number. The customer has the option of having the TFC dialed number (e.g., 800-NXX-XXXX) or, if the TFC to Local Exchange Number Translation optional feature described in Section 6.2.5(C)(1) is specified, a translated ten digit local exchange number (i.e., NPA-NXX-XXXX), delivered to the customer premises.

ISSUE DATE:
February 28, 2011

Issued Under Transmittal No. 1
Vice President-Regulatory Operations
100 CenturyLink Drive
Monroe, Louisiana 71203

EFFECTIVE DATE:
March 1, 2011

ACCESS SERVICE

6. Switched Access Service (Cont'd)6.2 Provision and Description of Switched Access Service Arrangements (Cont'd)6.2.5 Toll Free Code (TFC) Access Service (Cont'd)(A) Description (Cont'd)

No access code is required for TFC Access Service. When the TFC call is originated by an end user, the Telephone Company will perform the TFC data base query based on the dialed digits to determine the customer location to which the call is to be routed. TFC data base query charges will be applied for each completed customer identification query. A query is deemed to have been completed when the signaling information enabling the call to be directed to the appropriate carrier is returned by the TFC data base to the switch that originated the query. The TFC data base query will be performed from suitably equipped end offices or access tandems. If the call originates from an end office not equipped to perform the TFC data base query, the call will be routed to an access tandem at which the query function is available. Once customer identification has been established, the call will be routed to the customer. TFC calls may be routed to multiple carriers based on the local access transport area in which the call originates, however, calls originating from an end office switch not included in the customer's area of service for TFC Access Service will not be completed.

The provision of TFC Access Service requires access to the TFC Service Management System (TFC SMS) by a Responsible Organization on behalf of the customer or through direct access by the customer to the TFC SMS.

ISSUE DATE:
February 28, 2011

Issued Under Transmittal No. 1
Vice President-Regulatory Operations
100 CenturyLink Drive
Monroe, Louisiana 71203

EFFECTIVE DATE:
March 1, 2011

ACCESS SERVICE

6. Switched Access Service (Cont'd)6.2 Provision and Description of Switched Access Service Arrangements (Cont'd)6.2.5 Toll Free Code (TFC) Access Service (Cont'd)(A) Description (Cont'd)

When TFC Access Service originates from an end office equipped with equal access capabilities (i.e., FGD), all such service will be provisioned in accordance with the technical characteristics available with FGD. When TFC Access Service originates from an end office not equipped with equal access, such service will be provisioned in accordance with the technical characteristics available with FGC. For FGB customers, end offices lacking equal access capability or the TFC data base query function may only be served via an access tandem over FGD trunks or TFC Access Service trunk groups. Such service will be provisioned in accordance with the characteristics available with FGC or FGD. In either case, when more than one access tandem is involved in the transport of a TFC Access Service call, standard transmission characteristics are not guaranteed.

Unless prohibited by network considerations (e.g., different dialing plans), the customer's TFC Access Service traffic may, at the option of the customer, be combined in the same trunk group arrangement with the customer's non-TFC switched access traffic except as follows. Combining TFC Access Service traffic with the customer's direct routed switched access traffic will be allowed only when the end office is equipped to perform the TFC data base query. When required by network considerations, a separate trunk group must be established for TFC Access Service.

ISSUE DATE:
February 28, 2011

Issued Under Transmittal No. 1
Vice President-Regulatory Operations
100 CenturyLink Drive
Monroe, Louisiana 71203

EFFECTIVE DATE:
March 1, 2011

ACCESS SERVICE

6. Switched Access Service (Cont'd)

6.2 Provision and Description of Switched Access Service Arrangements (Cont'd)

6.2.5 Toll Free Code (TFC) Access Service (Cont'd)

(A) Description (Cont'd)

Usage rates and charges apply to TFC Access Service originating calls.

(C)
(D)
|
(D)

Additionally, the TFC Access Service Data Base Query Charge and the TFC Data Base Optional Service Features charge associated with various options ordered by the customer, as specified in Sections 6.1.2(D) preceding and 6.2.5(C) following also apply.

(B) Technical Specifications

TFC Access Service trunk groups are provided with either Type B or Type C Transmission Specifications as follows:

- When routed directly to the end office either Type B or Type C is provided.
- When routed to an access tandem only Type B is provided.
- Type B or Type C is provided on the transmission path from the access tandem to the end office.

Type C Transmission Specifications are provided with Interface Group 1 when routed directly to an end office. Type B is provided with Interface Groups 2 through 9, whether routed directly to an end office or to an access tandem.

Telephone Company switch and customer premises interfaces and design blocking criteria for Feature Group C apply to TFC Access Service.

ISSUE DATE:
January 30, 2014

Issued Under Transmittal No. 51
Vice President-Regulatory Operations
100 CenturyLink Drive
Monroe, Louisiana 71203

EFFECTIVE DATE:
February 14, 2014

ACCESS SERVICE

6. Switched Access Service (Cont'd)6.2 Provision and Description of Switched Access Service Arrangements (Cont'd)6.2.5 Toll Free Code (TFC) Access Service (Cont'd)(C) TFC Data Base Optional Service Features

In addition to the TFC call routing (e.g., 1+800-NXX-XXXX) described in (A) preceding, at the customer's option, the Telephone Company will perform additional call routing service options as follows:

(1) TFC to Local Exchange Number Translation

This option allows a TFC Access Service customer to specify standard local exchange telephone numbers for TFC call completion at the terminating end. When a TFC call is to be routed to a local exchange telephone number, the TFC Access Service customer must provide to its Responsible Organization or to the TFC SMS, the full ten digit local exchange number (NPA-NXX-XXXX) to be associated with the TFC number and indicate to which carrier the local exchange telephone number is to be delivered. If the TFC to Local Exchange Number Translation optional feature is used, the customer will be unable to determine that such calls originated as TFC dialed calls (e.g., 1+800-NXX-XXXX) unless the customer also orders the Flexible Automatic Number Identification (Flex ANI) optional feature.

(2) Customized TFC Call Routing

This option allows for routing to variable terminating locations for TFC call completion based on the following criteria:

ISSUE DATE:
February 28, 2011

Issued Under Transmittal No. 1
Vice President-Regulatory Operations
100 CenturyLink Drive
Monroe, Louisiana 71203

EFFECTIVE DATE:
March 1, 2011

ACCESS SERVICE

6. Switched Access Service (Cont'd)6.2 Provision and Description of Switched Access Service Arrangements (Cont'd)6.2.5 Toll Free Code (TFC) Access Service (Cont'd)(C) TFC Data Base Optional Service Features (Cont'd)(2) Customized TFC Call Routing (Cont'd)

- time of day
- day of week
- specific days of the year (e.g., December 25)
- percentage of traffic (in one percent increments)
- calling telephone number (unless technical limitations exist which do not provide for originating number identification)

With this option, TFC calls can be delivered to the carrier in either the direct dialed TFC number format or in the local exchange telephone number translated format. The customer must enter the desired format and the necessary ten digit local exchange telephone number, if any, into the TFC SMS or provide such information to its Responsible Organization for handling.

The rates for the TFC Data Base Optional Service Features described above are applied on a per query basis as set forth in Section 6.8.4(B) following. When a combination of one or more of the optional features is requested, only one such charge shall apply.

ISSUE DATE:
February 28, 2011

Issued Under Transmittal No. 1
Vice President-Regulatory Operations
100 CenturyLink Drive
Monroe, Louisiana 71203

EFFECTIVE DATE:
March 1, 2011

ACCESS SERVICE

6. Switched Access Service (Cont'd)6.2 Provision and Description of Switched Access Service Arrangements (Cont'd)6.2.6 900 Access Service(A) Description

Originating 900 Access Service is a trunk side switched service that is available to the customer via 900 Access Service trunk groups, or can be provided to the customer in conjunction with FGB, FGC, or FGD services. When combined with FGB, FGC, or FGD, 900 Access Service traffic can, at the option of the customer, be carried on the same group with non-900 Access traffic. When a 1+900+NXX+XXXX or 0+900+NXX+XXXX call is originated by an end user, the Telephone Company will perform the customer identification function based on the dialed digits to determine the customer to which the call is to be routed. If the call originates from an end office not equipped to provide the customer identification function, the call will be routed to an office where the function is available. Once customer identification has been established, the call will be routed to the customer.

The manner in which 900 Access Service is provided depends on whether the end office from which the call originates has equal access capability and/or the customer identification function. In equal access end offices which have customer identification function capability, 900 Access Service is provided in accordance with technical characteristics available with FGD (however, ANI is required with 900 Access Service), either direct to the end office or via an equal access tandem on existing trunk groups. In end offices not equipped with equal access capabilities, 900 Access Service will be provisioned in accordance with the technical characteristics available with FGC. Customers other than customers of FGC, may only be served via an access tandem over 900 Access Service trunks when the end office lacks equal access capability or the customer identification function. At the customer's option, 900 Access Service and TFC Access Service may be combined on the same trunk group. For a customer of FGC, 900 Access Service can be provided through an existing trunk group or separate FGC trunk

ISSUE DATE:
February 28, 2011

Issued Under Transmittal No. 1
Vice President-Regulatory Operations
100 CenturyLink Drive
Monroe, Louisiana 71203

EFFECTIVE DATE:
March 1, 2011

ACCESS SERVICE

6. Switched Access Service (Cont'd)6.2 Provision and Description of Switched Access Service Arrangements (Cont'd)6.2.6 900 Access Service (Cont'd)(A) Description (Cont'd)

group which handles 900 Access Service. 900 Access Service calls which are routed through operator services will be delivered at the equal access tandem over FGC or FGD. At the customer's option, 900 Access Service can be provided from both equal access and non-equal access end office switches over a FGD trunk group from the access tandem to the customer's premises if the customer can accept, on that trunk group, both exchange access and conventional signaling.

The Telephone Company will block calls to a 900 number dialed 1+ from pay telephones, 0+, 0-, 101XXXX, third number service, detention centers, mental institutions, hotel/motel service and calling cards. The customer may request, via an ASR to the Telephone Company, unblocking of 0+ and 0- 900 calling on all classes of services except detention centers.

At the carrier's option all 900 attempts will be passed to the identified IC, who subsequently can screen the appropriate ANI II digits for call disposition. The ANI II digits are described in Technical Reference Publication FR-64. This option is available in technically capable equal access offices.

900 Access Service originating from equal access end offices with the customer identification function will be provided using exchange access signaling with overlap outpulsing and ten digit ANI. 900 Access Service originating from equal access end offices without the customer identification function, from end offices not having equal access capability, or for calls routed through operator services, will be provided using conventional signaling. On traffic using conventional signaling, other than FGC, the customer's facilities shall provide off hook supervision upon receipt of the transmitted digits.

ISSUE DATE:
February 28, 2011

Issued Under Transmittal No. 1
Vice President-Regulatory Operations
100 CenturyLink Drive
Monroe, Louisiana 71203

EFFECTIVE DATE:
March 1, 2011

ACCESS SERVICE

6. Switched Access Service (Cont'd)6.2 Provision and Description of Switched Access Service Arrangements (Cont'd)6.2.6 900 Access Service (Cont'd)(A) Description (Cont'd)

Premium usage rates and charges apply to 900 Access Service calls originated from end offices with equal access capability or calls originated from nonconforming offices via the customer of FGC.

Additionally, nonrecurring charges as specified in 6.1.2(F) pre-ceding and 6.8.5 following also apply.

(B) Technical Specifications

900 Access Service trunk groups are provided with either Type B or Type C Transmission Specifications as follows:

- When routed directly to the end office either Type B or Type C is provided.
- When routed to an access tandem only Type B is provided.
- Type B or Type C is provided on the transmission path from the access tandem to the end office.

Type C Transmission Specifications are provided with Interface Group 1 when routed directly to an end office. Type B is provided with Interface Groups 2 through 9, whether routed directly to an end office or to an access tandem.

Telephone Company switch and customer premises interfaces and design blocking criteria for Feature Group C apply to 900 Access Service.

(D)

(D)

ISSUE DATE:
January 30, 2014

Issued Under Transmittal No. 51
Vice President-Regulatory Operations
100 CenturyLink Drive
Monroe, Louisiana 71203

EFFECTIVE DATE:
February 14, 2014

ACCESS SERVICE

6. Switched Access Service (Cont'd)6.2 Provision and Description of Switched Access Service Arrangements (Cont'd)6.2.7 Interim 500 Access Service(A) Description

Interim 500 Access Service is an outgoing service providing the customer identification function (500 NXX screening) based on the first six digits of the dialed 500 number.

Originating Interim 500 Access Service is a trunk side switched service that is available to the customer via Interim 500 Access Service trunk groups, or can be provided to the customer in conjunction with FGC or FGD services. When combined with FGC or FGD, Interim 500 Access Service traffic can, at the option of the customer, be carried on the same group with non-500 Access traffic. When a 1+500+NXX+XXXX or 0+500+NXX+XXXX call is originated by an end user, the Telephone Company will perform the customer identification function based on the dialed digits to determine the customer to which the call is to be routed. If the call originates from an end office not equipped to provide the customer identification function, the call will be routed to an office where the function is available. Once customer identification has been established, the call will be routed to the customer.

The manner in which Interim 500 Access Service is provided depends on whether the end office/tandem from which the call originates has equal access capability with the customer identification function. In equal access end offices/tandems which have customer identification function capability, Interim 500 Access Service is provided in accordance with technical characteristics available with FGD, either direct to the end office or

ISSUE DATE:
February 28, 2011

Issued Under Transmittal No. 1
Vice President-Regulatory Operations
100 CenturyLink Drive
Monroe, Louisiana 71203

EFFECTIVE DATE:
March 1, 2011

ACCESS SERVICE

6. Switched Access Service (Cont'd)6.2 Provision and Description of Switched Access Service Arrangements (Cont'd)6.2.7 Interim 500 Access Service (Cont'd)(A) Description (Cont'd)

via an equal access tandem on existing trunk groups. In end offices not equipped with equal access capabilities, Interim 500 Access Service will be provisioned in accordance with the technical characteristics available with FGC. At the customer's option, Interim 500 Access Service, 900 Access Service and TFC Access Service may be combined on the same trunk group. For a customer of FGC, Interim 500 Access Service can be provided through an existing trunk group or separate FGC trunk group which handles Interim 500 Access Service. At the customer's option, Interim 500 Access Service can be provided from both equal access and non-equal access end office switches over a FGD trunk group from the access tandem to the customer's premises if the customer can accept, on that trunk group, both exchange access and conventional signaling.

ISSUE DATE:
February 28, 2011

Issued Under Transmittal No. 1
Vice President-Regulatory Operations
100 CenturyLink Drive
Monroe, Louisiana 71203

EFFECTIVE DATE:
March 1, 2011

ACCESS SERVICE

6. Switched Access Service (Cont'd)6.2 Provision and Description of Switched Access Service Arrangements (Cont'd)6.2.7 Interim 500 Access Service (Cont'd)(A) Description (Cont'd)

At the carrier's option all 500 attempts will be passed to the identified IC, who subsequently can screen the appropriate ANI II digits for call disposition. The ANI II digits are described in Technical Reference Publication FR-64. This option is available in technically capable equal access offices.

Interim 500 Access Service originating from equal access end offices with the customer identification function will be provided using exchange access signaling with overlap outpulsing and ten digit ANI. Interim 500 Access Service originating from equal access end offices/ tandems without the customer identification function, from end offices not having equal access capability, or for calls routed through operator services, will be provided using conventional signaling. On traffic using conventional signaling, other than FGC, the customer's facilities shall provide off hook supervision upon receipt of the transmitted digits.

Premium usage rates and charges apply to Interim 500 Access Service calls originated from end offices/tandems with equal access capability or calls originated from nonconforming offices via the customer of FGC. Additionally, nonrecurring charges as specified in 6.1.2(G) preceding and 6.8.6 following also apply.

Pass-through charges apply to query information provided to the Telephone Company by connecting local exchange companies in order to perform the translations required to complete Interim 500 Access Service calls. The pass-through charges will be provided to the Telephone Company by the connecting local exchange company. Pass-through rates are set forth in Section 6.8.6 following, and are applied on a per query basis.

ISSUE DATE:
February 28, 2011

Issued Under Transmittal No. 1
Vice President-Regulatory Operations
100 CenturyLink Drive
Monroe, Louisiana 71203

EFFECTIVE DATE:
March 1, 2011

ACCESS SERVICE

6. Switched Access Service (Cont'd)6.2 Provision and Description of Switched Access Service Arrangements (Cont'd)6.2.7 Interim 500 Access Service (Cont'd)(B) Technical Specifications

Interim 500 Access Service trunk groups are provided with either Type B or Type C Transmission Specifications as follows:

- When routed directly to the end office either Type B or Type C is provided.
- When routed to an access tandem only Type B is provided.
- Type B or Type C is provided on the transmission path from the access tandem to the end office.

Type C Transmission Specifications are provided with Interface Group 1 when routed directly to an end office. Type B is provided with Interface Groups 2 through 9, whether routed directly to an end office or to an access tandem.

Telephone Company switch and customer premises interfaces apply to Interim 500 Access Service.

6.2.8 Reserved For Future Use6.2.9 Reserved For Future Use

ISSUE DATE:
February 28, 2011

Issued Under Transmittal No. 1
Vice President-Regulatory Operations
100 CenturyLink Drive
Monroe, Louisiana 71203

EFFECTIVE DATE:
March 1, 2011

ACCESS SERVICE

6. Switched Access Service (Cont'd)6.3 Optional Features

Following are descriptions of the various optional features that are available in lieu of, or in addition to, the standard features provided with the Feature Groups.

(A) Call Denial on Line or Hunt Group

This option allows for the screening of terminating calls within the exchange, and for the completion only of calls to 411, 611, 911, TFC, 555-1212, and a Telephone Company specified set of NXXs within the Telephone Company local exchange calling area of the dial tone office in which the arrangement is provided. All other calls are routed to a reorder tone or recorded announcement. This feature is provided in all electronic end offices. It is available with Feature Group A.

(B) Service Code Denial on Line or Hunt Group

This option allows for the screening of terminating calls within the exchange, and for disallowing completion of calls to 0-, 555 and N11 (e.g., 411, 611, and 911). This feature is provided where available in all Telephone Company electronic end offices. It is available with Feature Group A.

(C) Hunt Group Arrangement

This option provides the ability to sequentially access one of two or more line side connections in the originating direction, when the access code of the line group is dialed. This feature is provided in all Telephone Company end offices. It is available with Feature Group A.

ISSUE DATE:
February 28, 2011

Issued Under Transmittal No. 1
Vice President-Regulatory Operations
100 CenturyLink Drive
Monroe, Louisiana 71203

EFFECTIVE DATE:
March 1, 2011

ACCESS SERVICE

6. Switched Access Service (Cont'd)6.3 Optional Features (Cont'd)(D) Uniform Call Distribution Arrangement

This option provides a type of multiline hunting arrangement which provides for an even distribution of calls among the available lines in a hunt group. Where available, this feature is provided in Telephone Company electronic end offices only. It is available with Feature Group A.

(E) Nonhunting Number for Use with Hunt Group or Uniform Call Distribution Arrangement

This option provides an arrangement for an individual line within a multiline hunt or uniform call distribution group that provides access to that line within the hunt or uniform call distribution group when it is idle or provides busy tone when it is busy, when the nonhunting number is dialed. Where available, this feature is only provided in Telephone Company electronic end offices only. It is available with Feature Group A.

(F) Automatic Number Identification (ANI)

This option provides the automatic transmission of a seven or ten digit number and information digits to the customer's premises for calls originating in the exchange, to identify the calling station. Customer use of the ANI feature is subject to the limitations set forth in Section 2.1.2(D) preceding. The ANI feature is an end office software function which is associated on a call-by-call basis with (1) all individual transmission paths in a trunk group routed directly between an end office and a customer's premises or, where technically feasible, with (2) all individual transmission paths in a trunk group between an end office and an access tandem, and trunk group between an access tandem and a customer's premises.

ISSUE DATE:
February 28, 2011

Issued Under Transmittal No. 1
Vice President-Regulatory Operations
100 CenturyLink Drive
Monroe, Louisiana 71203

EFFECTIVE DATE:
March 1, 2011

ACCESS SERVICE

6. Switched Access Service (Cont'd)6.3 Optional Features (Cont'd)(F) Automatic Number Identification (ANI) (Cont'd)

The seven digit ANI telephone number is available with Feature Group B provided using Direct-Trunked Transport and with Feature Group C. With these Feature Groups, technical limitations may exist in Telephone Company switching facilities which require ANI to be provided only on a directly trunked basis. ANI will be transmitted on all calls except those originating from multiparty lines, pay telephones using Feature Group B, or when an ANI failure has occurred. Seven digit ANI is not available with SS7 signaling.

The ten digit ANI telephone number is only available with Feature Group D. The ten digit ANI telephone number consists of the Numbering Plan Area (NPA) plus the seven digit ANI telephone number. The ten digit ANI telephone number will be transmitted on all calls except those identified as multiparty line or ANI failure, in which case only the NPA will be transmitted (in addition to the information digit described below). Ten digit ANI is provided with multifrequency address signaling or SS7 signaling.

With Feature Group C, ANI is provided from end offices at which Telephone Company recording for end user billing is not provided, or where it is not required, as with TFC service. It is not provided from end offices for which the Telephone Company needs to forward ANI to its recording equipment.

Where ANI cannot be provided, e.g., on calls from certain multi-party services, information digits will be provided to the customer.

ISSUE DATE:
February 28, 2011

Issued Under Transmittal No. 1
Vice President-Regulatory Operations
100 CenturyLink Drive
Monroe, Louisiana 71203

EFFECTIVE DATE:
March 1, 2011

ACCESS SERVICE

6. Switched Access Service (Cont'd)6.3 Optional Features (Cont'd)(F) Automatic Number Identification (ANI) (Cont'd)

The information digits identify: (1) telephone number is the station billing number - no special treatment required, (2) multiparty line - telephone number is a 2-, 4- or 8-party line and cannot be identified - number must be obtained via an operator or in some other manner, (3) ANI failure has occurred in the end office switch which prevents identification of calling telephone number - must be obtained by operator or in some other manner, (4) hotel/motel originated call which requires room number identification, (5) pay telephone, hospital, inmate, etc. call which requires special screening or handling by the customer and (6) call is an Automatic Identified Outward Dialed (AIOD) call from customer premises equipment. The ANI telephone number is the listed telephone number of the customer and is not the telephone number of the calling party. These ANI information digits are available with Feature Groups B, C, and D.

(G) Up to 7 Digit Outpulsing of Access Digits to Customer

This option provides for the end office capability of providing up to 7 digits of the uniform access code (950-XXXX) to the customer's premises. The customer can request that only some of the digits in the access code be forwarded. The access code digits would be provided to the customer's premises using multifrequency signaling, and transmission of the digits would precede the forwarding of ANI if that feature were provided. It is available with Feature Group B.

ISSUE DATE:
February 28, 2011

Issued Under Transmittal No. 1
Vice President-Regulatory Operations
100 CenturyLink Drive
Monroe, Louisiana 71203

EFFECTIVE DATE:
March 1, 2011

ACCESS SERVICE

6. Switched Access Service (Cont'd)6.3 Optional Features (Cont'd)(H) Cut-Through

This option allows end users of the customer to reach the customer's premises by using the end of dialing digit (#). This option provides for connection of the call to the premises of the customer indicated by the 101XXXX code upon receipt of the end of dialing digit (#). The Telephone Company will not record any other dialed digits for these calls. This option is available with Feature Group D.

(I) Revertive Pulse Address Signaling

This option provides for a dc pulsing arrangement that transmits intelligence in the following manner:

- (1) The equipment at the originating location presets itself to represent the number of pulses required and to count the pulses received from the terminating location.
- (2) The equipment at the terminating location transmits a series of pulses by the momentary grounding of its battery supply until the originating location breaks the dc path to indicate that the required number of pulses has been counted.

This option is available with Feature Group C.

ISSUE DATE:
February 28, 2011

Issued Under Transmittal No. 1
Vice President-Regulatory Operations
100 CenturyLink Drive
Monroe, Louisiana 71203

EFFECTIVE DATE:
March 1, 2011

ACCESS SERVICE

6. Switched Access Service (Cont'd)6.3 Optional Features (Cont'd)(J) Delay Dial Start-Pulsing Signaling

This option provides a method of indicating to the near end trunk circuit readiness to accept address signaling information by the far end trunk circuit. Delay dial is often referred to as an off-hook, on-hook signaling sequence. The delay dial signal is the off-hook interval and the start-pulsing signal is the on-hook interval. With integrity check, the calling office will not outpulse until a delay dial (off-hook) signal followed by a start-pulsing (on-hook) signal has been identified at the calling office. This option is available with Feature Group C.

(K) Immediate Dial Pulse Address Signaling

This option provides for the forwarding of dial pulses from the Telephone Company end office to the customer without the need of a start-pulsing signal from the customer. It is available with Feature Group C.

(L) Dial Pulse Address Signaling

This trunk side option provides for the transmission of number information, (Z)
e.g., called number, between the end office switching system and the customer's premises (in either direction) by means of direct current pulses. It is available with Feature Group C.

(M) Panel Call Indicator Address Signaling

This option provides a dc pulsing arrangement in which each digit is transmitted as a series of four marginal and polarized impulses. It is available with Feature Group C.

ISSUE DATE:
January 30, 2014

Issued Under Transmittal No. 51
Vice President-Regulatory Operations
100 CenturyLink Drive
Monroe, Louisiana 71203

EFFECTIVE DATE:
February 14, 2014

ACCESS SERVICE

6. Switched Access Service (Cont'd)6.3 Optional Features (Cont'd)(N) Service Class Routing

This option provides the capability of directing originating traffic from an end office to a trunk group to a customer designated premises based on the line class of service (e.g., pay telephone, multiparty or hotel/motel), service prefix indicator (e.g., 0-, 0+, 01+ or 011+) or service access code (e.g., 800 or 900). It is provided in suitably equipped end office or access tandem switches and is available with Feature Groups C and D.

(O) Alternate Traffic Routing(1) Multiple Customer Premises Alternate Routing

This option provides the capability of directing originating traffic from an end office (or appropriately equipped access tandem) to a trunk group (the "high usage" group) to a customer designated premises until that group is fully loaded, and then delivering additional originating traffic (the "overflowing" traffic) from the same end office or access tandem to a different trunk group (the "final" group) to the same or a second customer designated premises. The customer shall specify the last trunk CCS desired for the high usage group. It is provided in suitably equipped end office or access tandem switches and is available with Feature Groups B, C and D.

ISSUE DATE:
February 28, 2011

Issued Under Transmittal No. 1
Vice President-Regulatory Operations
100 CenturyLink Drive
Monroe, Louisiana 71203

EFFECTIVE DATE:
March 1, 2011

ACCESS SERVICE

6. Switched Access Service (Cont'd)6.3 Optional Features (Cont'd)(O) Alternate Traffic Routing (Cont'd)(2) End Office Alternative Routing When Ordered in Trunks

This option provides an alternate routing arrangement for customers who order in trunks and have access for a particular Feature Group to an end office via two routes: one route via an access tandem and one direct route. The feature allows the customer's originating traffic from the end office to be offered first to the direct trunk group and then overflow to the access tandem group. It is provided in suitably equipped end offices and is available with Feature Groups B and D.

(P) Trunk Access Limitation

This option provides for the routing of originating 900 service calls to a specified number of transmission paths in a trunk group, in order to limit (choke) the completion of such traffic to the customer. Calls to the designated service which could not be completed over the subset of transmission paths in the trunk group, i.e., the choked calls, would be routed to reorder tone.

It is provided in all Telephone Company electronic end offices. It is available with Feature Groups C and D.

ISSUE DATE:
February 28, 2011

Issued Under Transmittal No. 1
Vice President-Regulatory Operations
100 CenturyLink Drive
Monroe, Louisiana 71203

EFFECTIVE DATE:
March 1, 2011

ACCESS SERVICE

6. Switched Access Service (Cont'd)6.3 Optional Features (Cont'd)(Q) Call Gapping Arrangement

This option, provided in suitably equipped end office switches, provides for the routing of originating calls to 900 service to be switched in the end office to all transmission paths in a trunk group at a prescribed rate of flow, e.g., one call every five seconds, in order to limit (choke) the completion of such traffic to the customer. Calls to the designated service which are denied access by this feature, i.e., the choked calls, would be routed to a no-circuit announcement. It is provided in selected Feature Group D equipped end offices and is available only with Feature Group D.

(R) Reserved For Future Use(S) Band Advance Arrangement for Use with Special Access Service Utilized for Connection with Switched Access Service

This option, which is provided in association with two or more Special Access Service groups, provides for the automatic overflow of terminating calls to a Special Access Service group, when that group has exceeded its call capacity, to another Special Access Service group with a band designation equal to or greater than that of the overflowing Special Access Service group. This arrangement does not provide for call overflow from a group with a higher band designation to one with a lower one. This option is available with Feature Groups A, B, C and D.

ISSUE DATE:
February 28, 2011

Issued Under Transmittal No. 1
Vice President-Regulatory Operations
100 CenturyLink Drive
Monroe, Louisiana 71203

EFFECTIVE DATE:
March 1, 2011

ACCESS SERVICE

6. Switched Access Service (Cont'd)6.3 Optional Features (Cont'd)(T) End Office End User Line Service Blocking and Screening Options for Use with Special Access Service Utilized for Connection with Switched Access Service

The following options allow the customer to verify (by screening the called NPA and/or NXX) that an end user has dialed a telephone number which is in accordance with that end user's service agreement with the customer, e.g., WATS. Additionally, the customer may elect to have calls routed by the Telephone Company for completion or, alternatively, to have end user dialed calls blocked when such calls are in conflict with individual state policies. Other options with this arrangement are offered for 101XXXX dialing, which is only offered at a WATS office that has been converted to equal access, international calling, 700, TFC, or 900 dialing. All 0+ calls will be passed to the designated customer unless elective screening options are requested. End offices which have been designated as WATS serving offices are as set forth in the National Exchange Carrier Association, Inc. Tariff F.C.C. No. 4. Paragraphs (1) through (9) set forth the Telephone Company options subject to availability. Other arrangements requested by the customer may be provided on an Individual Case Basis (ICB), determined by availability of facilities. The combination of a WATS Special Access Circuit (WSAC), which is a dedicated service termination between the customer's end user and a WATS Serving Office, is the minimum configuration required as specified in 7.2.9(A).

ISSUE DATE:
February 28, 2011

Issued Under Transmittal No. 1
Vice President-Regulatory Operations
100 CenturyLink Drive
Monroe, Louisiana 71203

EFFECTIVE DATE:
March 1, 2011

ACCESS SERVICE

6. Switched Access Service (Cont'd)6.3 Optional Features (Cont'd)(T) End Office End User Line Service Blocking and Screening Options for Use with Special Access Service Utilized for Connection with Switched Access Service (Cont'd)(1) Predetermined Geographical Screening

Verifies (by screening the called NPA and/or NXX on the basis of geographical bands selected by the Telephone Company) that the party originating a call is dialing a geographically determined or bounded area, called party address which is in accordance with that end user's service agreement with the customer. This option is provided in all Telephone Company electronic end offices in which the WSO function is available. It is available with Feature Groups C and D.

(2) Multiple Carrier Access Blocking

Provides for the blocking of 101XXXX dialed calls attempted by the end user on WSACs served from equal access WSOs. When this option is requested by the customer, the call attempt will be terminated to either a recorded message when available, or intercept. If this option is not requested, 101XXXX dialed calls will be delivered to the carrier identified by the XXXX code.

(3) 700 Code Blocking

Provides for the blocking of 700 dialed calls attempted by the end user on WSACs. When this option is requested by the customer, the call attempt will be completed to either a recorded message when available, or intercept. If this option is not requested, 700 dialed calls will be delivered to the carrier identified with the WSAC.

(4) Toll Free Code (TFC) Blocking

Provides for the blocking of TFC dialed calls attempted by the end user on WSACs. When this option is

ISSUE DATE:
February 28, 2011

Issued Under Transmittal No. 1
Vice President-Regulatory Operations
100 CenturyLink Drive
Monroe, Louisiana 71203

EFFECTIVE DATE:
March 1, 2011

ACCESS SERVICE

6. Switched Access Service (Cont'd)6.3 Optional Features (Cont'd)(T) End Office End User Line Service Blocking and Screening Options for Use with Special Access Service Utilized for Connection with Switched Access Service (Cont'd)(4) Toll Free Code (TFC) Blocking (Cont'd)

requested by the customer, the call attempt will be completed to either a recorded message when available, or intercept. If this option is not requested, TFC dialed calls will be completed in accordance with the Telephone Company's TFC access translation tables.

(5) 900 Code Blocking

Provides for the blocking of 900 dialed calls attempted by the end user on WSACs. When this option is requested by the customer, the call attempt will be completed to either a recorded message when available, or intercept. If this option is not requested, 900 dialed calls will be delivered to the appropriate carrier identified with the WSAC.

(6) Intrastate Jurisdictional Blocking

Provides for the blocking of intrastate dialed calls placed from a WSAC. This option may be used to meet state restrictions placed upon telephone communications originated from a WSAC in that state. When this option is requested by the customer, all intrastate dialed calls placed on this WSAC including 0+ calls will be completed to either a recorded message when available, or intercept.

(7) Intrastate IntraLATA Access Blocking

Provides for the blocking of intrastate intraLATA dialed calls placed from a WSAC. This option may be used to meet state restrictions placed upon telephone communications originated from a WSAC in that state.

ISSUE DATE:
February 28, 2011

Issued Under Transmittal No. 1
Vice President-Regulatory Operations
100 CenturyLink Drive
Monroe, Louisiana 71203

EFFECTIVE DATE:
March 1, 2011

ACCESS SERVICE

6. Switched Access Service (Cont'd)6.3 Optional Features (Cont'd))(T) End Office End User Line Service Blocking and Screening Options for Use with Special Access Service Utilized for Connection with Switched Access Service (Cont'd)(7) Intrastate IntraLATA Access Blocking (Cont'd)

When this option is requested by the customer, all intrastate intraLATA dialed calls placed on this WSAC including 0+ calls will be completed to either a recorded message when available, or intercept.

(8) Intrastate IntraLATA Access Screening

Provides for the screening of intrastate intraLATA dialed calls placed from a WSAC. This option may be used to meet state restrictions placed upon traffic originated from a WSAC in that state. When this option is requested by the customer, all intrastate intraLATA dialed calls attempted on the WSAC, including 0+ calls, will be completed on the Telephone Company's network. Unless other arrangements are made between the Telephone Company and the customer, all intrastate intraLATA usage will be billed from the appropriate state tariff to the customer of record. Other billing arrangements, such as direct billing to the end user, are possible upon mutual agreement of all parties.

(9) International Access Blocking

Provides for the blocking of all international dialed calls placed from a WSAC. When this option is requested by the customer, all direct dialed international calls placed on the WSAC will be blocked and the call will be completed to either a recorded message, when available, or intercept. If this option is not requested, all international dialed calls will be forwarded to the customer.

ISSUE DATE:
February 28, 2011

Issued Under Transmittal No. 1
Vice President-Regulatory Operations
100 CenturyLink Drive
Monroe, Louisiana 71203

EFFECTIVE DATE:
March 1, 2011

ACCESS SERVICE

6. Switched Access Service (Cont'd)6.3 Optional Features (Cont'd)(U) Hunt Group Arrangement for Use with Special Access Service Utilized for Connection with Switched Access Service

This option provides the ability to sequentially access one of two or more Special Access Services utilized for connection with Switched Access Service (e.g., TFC Service) in the terminating direction, when the hunting number of the Special Access Service group is forwarded from the customer to the Telephone Company. This feature is provided in all Telephone Company designated WATS Serving Offices. It is available with Feature Groups A, B, C, and D.

(V) Uniform Call Distribution Arrangement for Use with Special Access Service Utilized for Connection with Switched Access Service

This option provides a type of multiline hunting arrangement which provides for an even distribution of terminating calls among the available Special Access Services utilized for connection with Switched Access Service in the hunt group. Where available, this feature is only provided in Telephone Company designated WATS Serving Offices. It is available with Feature Groups A, B, C and D.

ISSUE DATE:
February 28, 2011

Issued Under Transmittal No. 1
Vice President-Regulatory Operations
100 CenturyLink Drive
Monroe, Louisiana 71203

EFFECTIVE DATE:
March 1, 2011

ACCESS SERVICE

6. Switched Access Service (Cont'd)6.3 Optional Features (Cont'd)(W) Nonhunting Number for Use with Hunt Group Arrangement or Uniform Call Distribution Arrangement for Use with Special Access Service Utilized for Connection with Switched Access Service

This option provides an arrangement for an individual Special Access Service utilized for connection with Switched Access Service with a multiline hunt or uniform call distribution group that provides access to that Special Access Service within the hunt or uniform call distribution group when it is idle or provides busy tone when it is busy, when the nonhunting number is dialed. Where available, this feature is only provided in Telephone Company designated WATS Serving Offices. It is available with Feature Groups A, B, C and D.

ISSUE DATE:
February 28, 2011

Issued Under Transmittal No. 1
Vice President-Regulatory Operations
100 CenturyLink Drive
Monroe, Louisiana 71203

EFFECTIVE DATE:
March 1, 2011

ACCESS SERVICE

6. Switched Access Service (Cont'd)6.3 Optional Features (Cont'd)(X) InterLATA Call Denial on Line or Hunt Group

This chargeable optional feature allows for the screening of terminating calls, and for the completion of only those calls which remain within the LATA of the dial tone office. All calls to end offices which are outside the LATA of the dial tone office are routed to a reorder tone or recorded announcement. This feature is provided only in appropriately equipped end offices. It is available with Feature Group A. A nonrecurring charge will apply to each FGA line to be screened. This charge will be equal to the sum of: (1) the initial service connection service order charge for business customers, and (2) the central office work charge for business customers; both charges are detailed in the Telephone Company's local and/or general exchange service tariff.

(Y) Rotary Dial Station Signaling

This option provides for the transmission of called party address signaling from rotary dial stations to the customer's premises for originating calls. This option is provided in the form of a specific type of Transport Termination. It is available with Feature Group B, only on a directly trunked basis.

ISSUE DATE:
February 28, 2011

Issued Under Transmittal No. 1
Vice President-Regulatory Operations
100 CenturyLink Drive
Monroe, Louisiana 71203

EFFECTIVE DATE:
March 1, 2011

ACCESS SERVICE

6. Switched Access Service (Cont'd)6.3 Optional Features (Cont'd)(Z) Operator Trunk - Pay Telephone

This option may be ordered to provide pay telephone operation. It is available only with Feature Group C and is provided in electronic end offices and other Telephone Company end offices where equipment is available. It is provided as a trunk type of Transport Termination.

This arrangement provides for initial coin return control and routing of 0+, 0-, 1+, 01+ or 011+ prefixed originating pay telephone calls requiring operator assistance to the customer's premises. Because operator assisted pay telephone traffic is routed over a trunk group dedicated to operator assisted calls, this arrangement is only provided in association with the Service Class Routing option.

The operator assistance pay telephone calling arrangement is also normally ordered by the customer in conjunction with the ANI optional feature, since the preponderance of trunk groups equipped with this arrangement will be terminated in the customer's TSPS systems, rather than in the customer's premises equipment.

When so equipped, the ANI feature provides for the forwarding of information digits which identify that the call has originated from a hotel or motel, and whether room number identification is required, or that special screening is required, e.g., for public stations, dormitory or inmate stations, or other screening arrangements agreed to between the customer and the Telephone Company.

ISSUE DATE:
February 28, 2011

Issued Under Transmittal No. 1
Vice President-Regulatory Operations
100 CenturyLink Drive
Monroe, Louisiana 71203

EFFECTIVE DATE:
March 1, 2011

ACCESS SERVICE

6. Switched Access Service (Cont'd)

6.3 Optional Features (Cont'd)

(AA) Operator Trunk - Full Feature

This option provides the operator functions available in the end office to the customer's operator. These functions are (1) Operator Released, (2) Operator Attached, (3) Coin Collect, (4) Coin Return, and (5) Ringback. It is available with Feature Group D and is provided as a trunk type for Transport Termination. This feature is not available with SS7 Signaling.

(BB) Reserved For Future Use

ISSUE DATE:
February 28, 2011

Issued Under Transmittal No. 1
Vice President-Regulatory Operations
100 CenturyLink Drive
Monroe, Louisiana 71203

EFFECTIVE DATE:
March 1, 2011

ACCESS SERVICE

6. Switched Access Service (Cont'd)6.3 Optional Features (Cont'd)(CC) Flexible Automatic Number Identification (Flex ANI)

The Flex ANI feature provides an enhancement to the existing ANI Information Indicator (ANI II) digits which are included in the ANI optional feature as described in 6.3(F) preceding. The Flex ANI feature provides additional values for the ANI II digits that are associated with various classes of service not available with the standard ANI digits. This feature is provided per host central office on a Carrier Identification Code (CIC) basis. Flex ANI is available with Feature Group D service in equal access end offices where technically feasible and must be provisioned with the ten digit ANI optional feature.

(DD) Multifrequency Address Signaling

This feature, available with FGB, FGC, and FGD, provides for the transmission of number information and control signals (e.g., number address signals, automatic number identification) between the end office switch and the customer's premises (in either direction). Multifrequency signaling arrangements make use of pairs of frequencies out of a group of six frequencies. Specific information transmitted is dependent upon feature group and call type (i.e., POTS, coin or operator). This feature is not available in combination with SS7 signaling.

ISSUE DATE:
February 28, 2011

Issued Under Transmittal No. 1
Vice President-Regulatory Operations
100 CenturyLink Drive
Monroe, Louisiana 71203

EFFECTIVE DATE:
March 1, 2011

ACCESS SERVICE

6. Switched Access Service (Cont'd)6.3 Optional Features (Cont'd)(EE) Signaling System 7 (SS7) Signaling

This feature provides common channel out of band transmission of address and supervisory SS7 protocol signaling information between the end office switch or the tandem office switching system and the customer's designated premises. The signaling information is transmitted over facilities provided with the Common Channel Signaling/Signaling System 7 Interconnection Service as specified in 6.1.2(B)(6) preceding. This feature is available with FGD and will be provided in accordance with the SS7 Interconnect specifications described in Technical Reference Publication GR-905.

Where the end office is capable of passing the Calling Party Number parameter within the initial address message, subject to the originating caller's use of available mechanisms to invoke the privacy of their number, the calling party number will be passed to the customer.

The Calling Party Number (CPN)* parameter provides for the automatic transmission of the ten digit directory number, associated with a calling station, to the customer's premises for calls originating in the LATA. The ten digit telephone number consists of the NPA plus the seven digit telephone number, which may or may not be the same number as the calling station's charge number. The ten digit telephone number will be coded as presented, or restricted via a "privacy indicator" for delivery to the called end user. This parameter is provided with originating FGD with SS7 signaling.

- * CPN is available where technically feasible and where the Telephone Company has made optional blocking available to the originating end user.

ISSUE DATE:
February 28, 2011

Issued Under Transmittal No. 1
Vice President-Regulatory Operations
100 CenturyLink Drive
Monroe, Louisiana 71203

EFFECTIVE DATE:
March 1, 2011

ACCESS SERVICE

6. Switched Access Service (Cont'd)6.3 Optional Features (Cont'd)(FF) International Carrier Option

This option allows for Feature Group D end office or access tandem switches equipped for International Direct Distance Dialing to be arranged to forward the international calls of one or more carriers to the customer (i.e., the Telephone Company is able to route originating international calls to a customer other than the one designated by the end user either through presubscription or 101XXXX dialing). This arrangement requires provision of written verification to the Telephone Company that the customer is authorized to forward such calls. The written verification must be in the form of a letter of agency authorizing the customer to order the option on behalf of the carrier. This option is only provided at Telephone Company end offices or access tandems equipped for International Direct Distance Dialing and is available only with Feature Group D.

(GG) Intrastate Carrier Option

This option allows for Feature Group D end office or access tandem switches to forward the intrastate calls of one or more carriers to the customer (i.e., the Telephone Company is able to route originating intrastate calls to a customer other than the one designated by the end user either through presubscription or 101XXXX dialing). This arrangement requires provision of written verification to the Telephone Company that the customer is authorized to forward such calls. The written verification must be in the form of a letter of agency authorizing the customer to order the option on behalf of the carrier. This option is only provided at Telephone Company end offices or access tandems equipped with Feature Group D.

ISSUE DATE:
February 28, 2011

Issued Under Transmittal No. 1
Vice President-Regulatory Operations
100 CenturyLink Drive
Monroe, Louisiana 71203

EFFECTIVE DATE:
March 1, 2011

ACCESS SERVICE

6. Switched Access Service (Cont'd)6.3 Optional Features (Cont'd)(HH) Call Restriction

This option allows for the screening of terminating calls and for the completion only of calls to a Telephone Company specified set of service codes and NXXs within the Telephone Company local exchange calling area of the dial tone office in which the arrangement is provided. All other "toll" calls are routed to a reorder tone or recorded announcement. It is available with Feature Group A only in those offices where such capabilities exist.

(II) Carrier Identification Parameter (CIP)

This option provides for the delivery of the Carrier Identification Code or the access code (101XXXX) to the customer within the initial address message SS7 call setup protocol. CIP is forwarded on originating Feature Group D switched access calls transported over SS7 trunks. CIP is available at no charge from suitably equipped end offices and access tandems.

(JJ) Carrier Selection Parameter (CSP)

This feature provides for the automatic transmission of a signaling indicator which signifies to the customer whether or not the call being processed originated from a presubscribed line. If the line was presubscribed, the indicator will signify if the end user did or did not dial 101XXXX. This feature is provided with originating FGD with SS7 signaling.

(KK) Charge Number (CN)

This option provides for the automatic transmission of the ten digit billing number of the calling station number and originating line information. Customer use of the Charge Number feature is subject to the limitations set forth in Section 2.1.2(D) preceding. The specific protocol for CN is contained in Technical Reference Publication GR-905. This feature is available only with Feature Group D when the SS7 signaling option is specified.

ISSUE DATE:
February 28, 2011

Issued Under Transmittal No. 1
Vice President-Regulatory Operations
100 CenturyLink Drive
Monroe, Louisiana 71203

EFFECTIVE DATE:
March 1, 2011

ACCESS SERVICE

6. Switched Access Service (Cont'd)6.3 Optional Features (Cont'd)(LL) Call Screening

This feature provides for the passing of call screening digits on all calls that originate from Feature Group A lines. With Call Screening, the FGA dial tone office switched translations associated with the FGA line generate the ANI information digits of 07 on each call passed. Call Screening is available with FGA in suitably equipped end offices.

(MM) Switched 64 Clear Channel Capability

This option provides for a connection capable of transmitting 64.0 kbps digital data with clear channel capability between the customer's designated premises and a suitably equipped end office. Switched 64 Clear Channel Capability allows a customer to transport an all zero octet over a DS1/1.544 Mbps high capacity channel providing an available combined maximum 1.536 Mbps data rate. This option requires all digital facilities, including the use of Interface Group 6 or 9, and is available only with Feature Group D from end offices capable of providing SS7 signaling, Bipolar with Eight Zero Substitution (B8ZS) line code format, and Integrated Services Digital Network (ISDN) or other switched data base services. Switched 64 Clear Channel Capability is available in suitably equipped end offices as specified in National Exchange Carrier Association, Inc. Tariff F.C.C. No. 4.

ISSUE DATE:
February 28, 2011

Issued Under Transmittal No. 1
Vice President-Regulatory Operations
100 CenturyLink Drive
Monroe, Louisiana 71203

EFFECTIVE DATE:
March 1, 2011

ACCESS SERVICE

6. Switched Access Service (Cont'd)6.3 Optional Features (Cont'd)(NN) Feature Group D with 950 Access

This option may be ordered to route calls from a designated 950-XXXX access code to Feature Group D access service. The Telephone Company will direct designated 950-XXXX calls dialed by the customer's end users to the customer's FGD access service, using FGD signaling protocols and technical specifications. The customer must be prepared to differentiate between standard FGD calls and 950-dialed calls delivered over the same trunks. FGD with 950 Access will be provided from equal access conforming Telephone Company end offices and tandems, where technically feasible. Calls delivered to the customer's FGD access service when the customer's end user dials a 950-XXXX access code will be rated as FGD.

When a customer has FGD access service and does not have FGB access service from a particular end office, this option may be ordered to activate a customer's designated 950-XXXX access code in that end office. When a customer has both FGB and FGD access services and orders this option in a particular end office, the Telephone Company will direct designated 950-XXXX calls dialed by the customer's end users to the customer's FGD access service in that end office. The customer is prohibited from having 950-XXXX access to originating FGD and originating FGB in the same end office or tandem utilizing the same 950-XXXX access code.

In Telephone Company end offices and tandems that do not support four digit carrier identification codes (CIC) for FGD, the 950-XXXX access code is only available to customers using a three digit CIC in the form 950-0XXX or 950-1XXX. In Telephone Company end offices and tandems that do support four digit CIC for FGD, the 950-XXXX access code is available to customers using either a three digit or four digit CIC in the forms 950-0XXX, 950-1XXX, and 950-XXXX. In any event, the CIC specified by the customer, either 3 digit or 4 digit, must be a valid CIC assigned for use by that customer. This option is available only with Feature Group D.

ISSUE DATE:
February 28, 2011

Issued Under Transmittal No. 1
Vice President-Regulatory Operations
100 CenturyLink Drive
Monroe, Louisiana 71203

EFFECTIVE DATE:
March 1, 2011

ACCESS SERVICE

6. Switched Access Service (Cont'd)6.3 Optional Features (Cont'd)(OO) Extended Superframe Format (ESF)

The ESF optional feature is available at suitably equipped end offices, and passes a customer provided framing format for 1.544 Mbps high capacity service. ESF extends the customer's 1.544 Mbps framing structure from 12 to 24 frames and divides the 8 Kbps 193rd bit position pattern into three distinct functionalities: 2 Kbps for frame synchronization, 2 Kbps for cyclic redundancy checking, and 4 Kbps used primarily for performance monitoring information.

ISSUE DATE:
February 28, 2011

Issued Under Transmittal No. 1
Vice President-Regulatory Operations
100 CenturyLink Drive
Monroe, Louisiana 71203

EFFECTIVE DATE:
March 1, 2011

ACCESS SERVICE

6. Switched Access Service (Cont'd)6.3 Optional Features (Cont'd)6.3.1 End Office Signaling Service

- (A) End Office Signaling Service (EOSS) is a nonchargeable optional feature available with Feature Group D switched access service. EOSS provides an Alternative Tandem Switching Provider (ATSP) with the following information to allow the ATSP to perform tandem switching functions for calls originated from certain Telephone Company end offices:
- (1) Carrier Identification Code (CIC)
 - (2) Carrier Trunk Group Number (OZZ)
- (B) EOSS is available from all Telephone Company equal access end offices in the following jurisdictions:
- Florida
 - Indiana
 - Missouri
 - Nevada
 - North Carolina
 - Ohio
 - Pennsylvania
 - Tennessee
 - Virginia
- (C) EOSS may be provided using Multifrequency (MF) signaling, or SS7 signaling where SS7 capabilities are available. When EOSS is provided with SS7 signaling, the ATSP must establish a connection to Telephone Company Signal Transfer Points (STPs) in the manner described in Section 6.1.2(B)(6) preceding for the transmission of SS7 signaling information between the ATSP and Telephone Company end offices.
- (D) EOSS for TFC Access Service calls is available only from Telephone Company end offices equipped with Service Switching Points (SSPs).

ISSUE DATE:
February 28, 2011

Issued Under Transmittal No. 1
Vice President-Regulatory Operations
100 CenturyLink Drive
Monroe, Louisiana 71203

EFFECTIVE DATE:
March 1, 2011

ACCESS SERVICE

6. Switched Access Service (Cont'd)6.3 Optional Features (Cont'd)6.3.1 End Office Signaling Service (Cont'd)

- (E) ATSP tandem services must conform to industry protocols for MF and SS7 signaling. The Telephone Company is not responsible for ATSP tandem performance.
- (F) EOSS may be provided in conjunction with one of the following interconnection arrangements:
 - (1) Switched Access Direct-Trunked Transport, as described in Section 6.1.2(B)(2) preceding, from the ATSP location to the end office where EOSS has been ordered, or
 - (2) Virtual Collocation, as described in Section 17.6 following, in the end office where EOSS has been ordered.
- (G) An Access Service Request must be submitted for each Telephone Company end office where EOSS is requested. Access order charges as set forth in Section 5.2 preceding will apply to requests for EOSS.
- (H) The assignment of ATSP Trunk Group Numbers (TGNs), which will appear on Telephone Company Automatic Message Accounting (AMA) records, are under the exclusive control of the Telephone Company until such time as industry-wide trunk group numbering conventions are established. The Telephone Company will work with the ATSP to coordinate numbering assignments and conformance to technical requirements of the Telephone Company.

ISSUE DATE:
February 28, 2011

Issued Under Transmittal No. 1
Vice President-Regulatory Operations
100 CenturyLink Drive
Monroe, Louisiana 71203

EFFECTIVE DATE:
March 1, 2011

ACCESS SERVICE

6. Switched Access Service (Cont'd)6.3 Optional Features (Cont'd)6.3.1 End Office Signaling Service (Cont'd)

- (I) The rates and regulations associated with Feature Group D Switched Access Service apply to all originating and terminating traffic routed from or to an ATSP. A FGD percent interstate use (PIU) factor, as set forth in Section 2.3.11(A) preceding, is required for all Telephone Company terminating minutes routed through an ATSP.
- (J) The ATSP must provide billing tapes to the Telephone Company on a monthly basis to allow appropriate billing of terminating traffic routed through the ATSP. The customer of record for the Switched Access Direct-Trunked Transport arrangement or the Virtual Collocation arrangement over which EOSS is provided shall be the same customer of record for billing purposes for the difference between the terminating minutes delivered through that arrangement to the Telephone Company end office as determined by the Telephone Company and the terminating minutes as reported on the billing tapes provided by the ATSP. The format for the billing tapes will be agreed upon by the Telephone Company and the ATSP before EOSS is provided. The ATSP must retain documentation in support of the billing information contained on tapes submitted to the Telephone Company for a period of 15 months after submission of the tapes. The Telephone Company reserves the right to audit billing tape information with such supporting documentation upon 30 days' notice to the ATSP. Billing disputes based on information contained in ATSP-provided billing tapes must be resolved jointly by the claimant, the Telephone Company and the ATSP. The ATSP is responsible for submitting billing tapes to the Telephone Company in a timely manner. Penalties assessed against the Telephone Company for late billing based on late submission of ATSP billing tapes will be charged back to the ATSP.

ISSUE DATE:
February 28, 2011

Issued Under Transmittal No. 1
Vice President-Regulatory Operations
100 CenturyLink Drive
Monroe, Louisiana 71203

EFFECTIVE DATE:
March 1, 2011

ACCESS SERVICE

6. Switched Access Service (Cont'd)6.4 Service Provisioning

Each Switched Access Service transmission path is provided with standard transmission specifications. There are three different standard specifications (Types A, B and C). The standard for a particular transmission path is dependent on the Feature Group, the Interface Group and whether the service is directly routed or via an access tandem. The available transmission specifications are set forth in 6.4.1 following. Data Transmission Parameters are also provided with each Switched Access Service transmission path. The Telephone Company will, upon notification by the customer that the data parameters set forth in 6.4.2(A) or 6.4.2(B) are not being met, conduct tests independently or in cooperation with the customer, and take any necessary action to insure that the data parameters are met.

The Telephone Company will maintain existing transmission specifications on functioning service configurations installed prior to the effective date of this tariff except that service configurations having performance specifications exceeding the standards listed in this provision will be maintained at the performance levels specified in this tariff.

The transmission specifications contained in this Section are immediate action limits. Acceptance limits are set forth in Technical Reference Publication GR-334. This Technical Reference also provides the basis for determining Switched Access Service maintenance limits. (Z)

6.4.1 Standard Transmission Specifications

Following are descriptions of the three Standard Transmission Specifications available with Switched Access Service Arrangements. The specific applications in terms of the Service Arrangement and Interface Groups with which the Service Arrangement Standard Transmission Specifications are provided are set forth in 6.2.1(C), 6.2.2(C), 6.2.3(C), 6.2.4(C), 6.2.5(B), 6.2.6(B) and 6.2.7(B) preceding.

ISSUE DATE:
January 30, 2014

Issued Under Transmittal No. 51
Vice President-Regulatory Operations
100 CenturyLink Drive
Monroe, Louisiana 71203

EFFECTIVE DATE:
February 14, 2014

ACCESS SERVICE

6. Switched Access Service (Cont'd)6.4 Service Provisioning (Cont'd)6.4.1 Standard Transmission Specifications (Cont'd)(A) Type A Transmission Specifications

Type A Transmission Specifications is provided with the following parameters:

(1) Loss Deviation

The maximum Loss Deviation of the 1004 Hz loss relative to the Expected Measured Loss (EML) is ± 2.0 dB.

(2) Attenuation Distortion

The maximum Attenuation Distortion in the 404 to 2804 Hz frequency band relative to the loss at 1004 Hz is - 1.0 dB to + 3.0 dB.

(3) C-Message Noise

The maximum C-Message Noise for the transmission path at the route miles listed is less than or equal to:

<u>Route Miles</u>	<u>C-Message Noise</u>
less than 50	32 dBrnCO
51 to 100	34 dBrnCO
101 to 200	37 dBrnCO
201 to 400	40 dBrnCO
401 to 1000	42 dBrnCO

(4) C-Notch Noise

The maximum C-Notch Noise, utilizing a -16 dBmO holding tone, is less than or equal to 45 dBrnCO.

ISSUE DATE:
February 28, 2011

Issued Under Transmittal No. 1
Vice President-Regulatory Operations
100 CenturyLink Drive
Monroe, Louisiana 71203

EFFECTIVE DATE:
March 1, 2011

ACCESS SERVICE

6. Switched Access Service (Cont'd)6.4 Service Provisioning (Cont'd)6.4.1 Standard Transmission Specifications (Cont'd)(A) Type A Transmission Specifications (Cont'd)(5) Echo Control

Echo Control, identified as Equal Level Echo Path Loss, and expressed as Echo Return Loss and Singing Return Loss, is dependent on the routing, i.e., whether the service is routed directly from the customer's point of termination (POT) to the end office or via an access tandem. It is equal to or greater than the following:

	<u>Echo Return Loss</u>	<u>Singing Return Loss</u>
POT to Access Tandem	21 dB	14 dB
POT to End Office		
- Direct	N/A	N/A
- Via Access Tandem	16 dB	11 dB

ISSUE DATE:
February 28, 2011

Issued Under Transmittal No. 1
Vice President-Regulatory Operations
100 CenturyLink Drive
Monroe, Louisiana 71203

EFFECTIVE DATE:
March 1, 2011

ACCESS SERVICE

6. Switched Access Service (Cont'd)6.4 Service Provisioning (Cont'd)6.4.1 Standard Transmission Specifications (Cont'd)(B) Type B Transmission Specifications

Type B Transmission Specifications are provided with the following parameters:

(1) Loss Deviation

The maximum Loss Deviation of the 1004 Hz loss relative to the Expected Measured Loss (EML) is ± 2.5 dB.

(2) Attenuation Distortion

The maximum Attenuation Distortion in the 404 to 2804 Hz frequency band relative to loss at 1004 Hz is -2.0 dB to +4.0 dB.

(3) C-Message Noise

The maximum C-Message Noise for the transmission path at the route miles listed is less than or equal to:

<u>Route Miles</u>	<u>C-Message Noise*</u>	
	<u>Type B1</u>	<u>Type B2</u>
less than 50	32 dBrnCO	35 dBrnCO
51 to 100	33 dBrnCO	37 dBrnCO
101 to 200	35 dBrnCO	40 dBrnCO
201 to 400	37 dBrnCO	43 dBrnCO
401 to 1000	39 dBrnCO	45 dBrnCO

* For Feature Groups C and D only Type B2 will be provided. For Feature Groups A and B, Type B1 or B2 will be provided as set forth in Technical Reference Publication GR-334. (Z)

ACCESS SERVICE

6. Switched Access Service (Cont'd)6.4 Service Provisioning (Cont'd)6.4.1 Standard Transmission Specifications (Cont'd)(B) Type B Transmission Specifications (Cont'd)(4) C-Notch Noise

The maximum C-Notch Noise, utilizing a -16 dBm0 holding tone is less than or equal to 47 dBmCO.

(5) Echo Control

Echo Control, identified as Impedance Balance for FGA and FGB and Equal Level Echo Path Loss for FGC and FGD, and expressed as Echo Return Loss (ERL) and Singing Return Loss (SRL), is dependent on the routing, i.e., whether the service is routed directly from the customer's point of termination (POT) to the end office or via an access tandem. The ERL and SRL also differ by Feature Group, type of termination, and type of transmission path. They are greater than or equal to the following:

	<u>Echo Return Loss</u>	<u>Singing Return Loss</u>
POT to Access Tandem		
- Terminated in 4-Wire trunk	21 dB	14 dB
- Terminated in 2-Wire trunk	16 dB	11 dB
POT to End Office		
- Direct	16 dB	11 dB

ISSUE DATE:
February 28, 2011

Issued Under Transmittal No. 1
Vice President-Regulatory Operations
100 CenturyLink Drive
Monroe, Louisiana 71203

EFFECTIVE DATE:
March 1, 2011

ACCESS SERVICE

6. Switched Access Service (Cont'd)6.4 Service Provisioning (Cont'd)6.4.1 Standard Transmission Specifications (Cont'd)(B) Type B Transmission Specifications (Cont'd)(5) Echo Control (Cont'd)

	<u>Echo Return Loss</u>	<u>Singing Return Loss</u>
- Via Access Tandem		
• For FGB access	8 dB	4 dB
• For FGC access (Effective 4-Wire trans- mission path at end office)	16 dB	11 dB
• For FGC access (Effective 2-Wire trans- mission path end office)	13 dB	6 dB

ISSUE DATE:
February 28, 2011

Issued Under Transmittal No. 1
Vice President-Regulatory Operations
100 CenturyLink Drive
Monroe, Louisiana 71203

EFFECTIVE DATE:
March 1, 2011

ACCESS SERVICE

6. Switched Access Service (Cont'd)6.4 Service Provisioning (Cont'd)6.4.1 Standard Transmission Specifications (Cont'd)(C) Type C Transmission Specifications

Type C Transmission Specifications are provided with the following parameters:

(1) Loss Deviation

The maximum Loss Deviation of the 1004 Hz loss relative to the Expected Measured Loss (EML) is + 3.0 dB.

(2) Attenuation Distortion

The maximum Attenuation Distortion in the 404 to 2804 Hz frequency band relative to loss at 1004 Hz is -2.0 dB to +5.5 dB.

(3) C-Message Noise

The maximum C-Message Noise for the transmission path at the route miles listed is less than or equal to:

<u>Route Miles</u>	<u>C-Message Noise*</u>	
	<u>Type C1</u>	<u>Type C2</u>
less than 50	32 dBrnCO	38 dBRNCO
51 to 100	33 dBRNCO	39 dBRNCO
101 to 200	35 dBRNCO	41 dBRNCO
201 to 400	37 dBRNCO	43 dBRNCO
401 to 1000	39 dBRNCO	45 dBRNCO

* For Feature Groups C and D only Type C2 will be provided. For Feature Groups A and B, Type C1 or C2 will be provided as set forth in Technical Reference Publication GR-334. (Z)

ISSUE DATE:
January 30, 2014

Issued Under Transmittal No. 51
Vice President-Regulatory Operations
100 CenturyLink Drive
Monroe, Louisiana 71203

EFFECTIVE DATE:
February 14, 2014

ACCESS SERVICE

6. Switched Access Service (Cont'd)

6.4 Service Provisioning (Cont'd)

6.4.1 Standard Transmission Specifications (Cont'd)

(C) Type C Transmission Specifications (Cont'd)

(4) C-Notch Noise

The maximum C-Notch Noise, utilizing a -16 dBm0 holding tone is less than or equal to 47 dBmCO.

(5) Echo Control

Echo Control, identified as Return Loss and expressed as Echo Return Loss and Singing Return Loss is equal to or greater than the following:

	<u>Echo Return Loss</u>	<u>Singing Return Loss</u>
POT to End Office		
- Direct	13 dB	6 dB

ISSUE DATE:
February 28, 2011

Issued Under Transmittal No. 1
Vice President-Regulatory Operations
100 CenturyLink Drive
Monroe, Louisiana 71203

EFFECTIVE DATE:
March 1, 2011

ACCESS SERVICE

6. Switched Access Service (Cont'd)6.4 Service Provisioning (Cont'd)6.4.2 Data Transmission Parameters

Two types of Data Transmission Parameters, i.e., Type DA and Type DB, are provided for the Feature Group arrangements. The specific applications in terms of the Feature Groups with which they are provided are set forth in 6.2.1(C), 6.2.2(C), 6.2.3(C) and 6.2.4(C) preceding. Following are descriptions of each.

(A) Data Transmission Parameters Type DA(1) Signal to C-Notched Noise Ratio

The Signal to C-Notched Noise Ratio is equal to or greater than 33 dB.

(2) Envelope Delay Distortion

The maximum Envelope Delay Distortion for the frequency bands and route miles specified is:

604 to 2804 Hz

less than 50 route miles	500 microseconds
equal to or greater than 50 route miles	900 microseconds

1004 to 2404 Hz

less than 50 route miles	200 microseconds
equal to or greater than 50 route miles	400 microseconds

ISSUE DATE:
February 28, 2011

Issued Under Transmittal No. 1
Vice President-Regulatory Operations
100 CenturyLink Drive
Monroe, Louisiana 71203

EFFECTIVE DATE:
March 1, 2011

ACCESS SERVICE

6. Switched Access Service (Cont'd)6.4 Service Provisioning (Cont'd)6.4.2 Data Transmission Parameters (Cont'd)(A) Data Transmission Parameters Type DA (Cont'd)(3) Impulse Noise Counts

The Impulse Noise Counts exceeding a 65 dBrnC0 threshold in 15 minutes is no more than 15 counts.

(4) Intermodulation Distortion

The Second Order (R2) and Third Order (R3) Intermodulation Distortion products are equal to or greater than:

Second Order (R2)	33 dB
Third Order (R3)	37 dB

(5) Phase Jitter

The Phase Jitter over the 4-300 Hz frequency band is less than or equal to 5° peak-to-peak.

(6) Frequency Shift

The maximum Frequency Shift does not exceed -2 to +2 Hz.

(B) Data Transmission Parameters Type DB(1) Signal to C-Notched Noise Ratio

The signal to C-Notched Noise Ratio is equal to or greater than 30 dB.

ISSUE DATE:
February 28, 2011

Issued Under Transmittal No. 1
Vice President-Regulatory Operations
100 CenturyLink Drive
Monroe, Louisiana 71203

EFFECTIVE DATE:
March 1, 2011

ACCESS SERVICE

6. Switched Access Service (Cont'd)

6.4 Service Provisioning (Cont'd)

6.4.2 Data Transmission Parameters (Cont'd)

(B) Data Transmission Parameters Type DB (Cont'd)

(2) Envelope Delay Distortion

The maximum Envelope Delay Distortion for the frequency bands and route miles specified is:

604 to 2804 Hz

less than 50 route miles	800 microseconds
equal to or greater than 50 route miles	1000 microseconds

1004 to 2404 Hz

less than 50 route miles	320 microseconds
equal to or greater than 50 route miles	500 microseconds

(3) Impulse Noise Counts

The Impulse Noise Counts exceeding a 67 dBrnCO threshold in 15 minutes is no more than 15 counts.

(4) Intermodulation Distortion

The Second Order (R2) and Third Order (R3) Intermodulation Distortion products are equal to or greater than:

Second Order (R2)	31 dB
Third Order (R3)	34 dB

ISSUE DATE:
February 28, 2011

Issued Under Transmittal No. 1
Vice President-Regulatory Operations
100 CenturyLink Drive
Monroe, Louisiana 71203

EFFECTIVE DATE:
March 1, 2011

ACCESS SERVICE

6. Switched Access Service (Cont'd)6.4 Service Provisioning (Cont'd)6.4.2 Data Transmission Parameters (Cont'd)(B) Data Transmission Parameters Type DB (Cont'd)(5) Phase Jitter

The Phase Jitter over the 4-300 Hz frequency band is less than or equal to 7° peak-to-peak.

(6) Frequency Shift

The maximum Frequency Shift does not exceed -2 to +2 Hz.

6.4.3 Interface Groups

Six interface groups are provided for terminating an Entrance Facility at the customer's premises. Interface groups define the transmission characteristics associated with the Entrance Facility and all transport facilities with which it is interconnected.

Network Channel (NC) codes, feature group and technical specifications provide the available supervisory signaling options. The combination of the interface group and supervisory signaling ordered will identify the appropriate premises interface code (network channel interface code). Feature group and technical specifications are set forth in Technical Reference Publication GR-334. (Z)

Depending upon the interface group chosen by the customer, multiplexing arrangements may also be required. When the customer requests interconnection of an Entrance Facility to a Direct-Trunked Transport or Tandem-Switched Transport, and the interconnecting facilities use connections with different capacities or bandwidths, multiplexing arrangements are required to provide the interconnection. A multiplexing arrangement is also required to interconnect certain facilities with specific switch types. Multiplexing is available as set forth in 6.1.2(B)(5)(d) preceding. (M)
(M)

(M) This material previously appeared on Page 6-132.

ISSUE DATE:
January 30, 2014

Issued Under Transmittal No. 51
Vice President-Regulatory Operations
100 CenturyLink Drive
Monroe, Louisiana 71203

EFFECTIVE DATE:
February 14, 2014

ACCESS SERVICE

6. Switched Access Service (Cont'd)

6.4 Service Provisioning (Cont'd)

6.4.3 Interface Groups (Cont'd)

(M)
|
(M)

As a result of the customer's access order and the type of Telephone Company transport facilities serving the customer's premises, the need for signaling conversions or two-wire to four-wire conversions, or the need to terminate digital or high frequency facilities in channel bank equipment may require that Telephone Company equipment be placed at the customer's premises. For example, if a voice frequency interface is ordered by the customer and the Telephone Company facilities serving the customer's premises are digital, then Telephone Company channel bank equipment must be placed at the customer's premises in order to provide the voice frequency interface ordered by the customer.

Interface Group 1 is provided with Type C Transmission Specifications, and Interface Groups 2 through 9 are provided with Type A or B Transmission Specifications depending on the Feature Group and whether the Access Service is routed directly or through an access tandem. All Interface Groups are provided with Data Transmission Parameters.

(M) Material omitted from this page now appears on Page 6-131.

ISSUE DATE:
January 30, 2014

Issued Under Transmittal No. 51
Vice President-Regulatory Operations
100 CenturyLink Drive
Monroe, Louisiana 71203

EFFECTIVE DATE:
February 14, 2014

ACCESS SERVICE

6. Switched Access Service (Cont'd)6.4 Service Provisioning (Cont'd)6.4.3 Interface Groups (Cont'd)

Only certain premises interfaces are available at the customer's premises. The premises interfaces associated with the Interface Groups may vary among Feature Groups. The various premises interfaces which are available with the Interface Groups, and the Feature Groups with which they may be used, are set forth in G following.

(A) Interface Group 1

Interface Group 1, except as set forth in the following provides two-wire analog voice frequency transmission at the point of termination at the customer's premises. The interface is capable of transmission of voice and associated telephone signals within the frequency bandwidth of approximately 300 to 3000 Hz.

Interface Group 1 is not provided in association with FGC and FGD when the first point of switching is an access tandem. In addition, Interface Group 1 is not provided in association with FGB, FGC or FGD when the first point of switching provides only four-wire terminations.

The transmission path between the point of termination at the customer's premises and the first point of switching may be comprised of any form or configuration of plant capable of and typically used in the telecommunications industry for the transmission of voice and associated telephone signals within the frequency bandwidth of 300 to 3000 Hz.

ISSUE DATE:
February 28, 2011

Issued Under Transmittal No. 1
Vice President-Regulatory Operations
100 CenturyLink Drive
Monroe, Louisiana 71203

EFFECTIVE DATE:
March 1, 2011

ACCESS SERVICE

6. Switched Access Service (Cont'd)6.4 Service Provisioning (Cont'd)6.4.3 Interface Groups (Cont'd)(A) Interface Group 1 (Cont'd)

The interface is provided with loop supervisory signaling. When the interface is associated with FGA, such signaling will be loop start or ground start signaling. When the interface is associated with FGB, FGC or FGD, such signaling, except for two-way calling which is E&M signaling, will be reverse battery signaling.

(B) Interface Group 2

Interface Group 2 provides four-wire analog voice frequency transmission at the point of termination at the customer's premises. The interface is capable of transmission of voice and associated telephone signals within the frequency bandwidth of approximately 300 to 3000 Hz.

The transmission path between point of termination at the customer's premises and the first point of switching may be comprised of any form or configuration of plant capable of and typically used in the telecommunications industry for the transmission of voice and associated telephone signals within the frequency bandwidth of approximately 300 to 3000 Hz.

The interface is provided with loop supervisory signaling. When the interface is associated with FGA, such signaling will be loop start or ground start signaling. When the interface is associated with FGB, FGC or FGD, such signaling, except for two-way calling which is E&M signaling, will be reverse battery signaling.

ISSUE DATE:
February 28, 2011

Issued Under Transmittal No. 1
Vice President-Regulatory Operations
100 CenturyLink Drive
Monroe, Louisiana 71203

EFFECTIVE DATE:
March 1, 2011

ACCESS SERVICE

6. Switched Access Service (Cont'd)6.4 Service Provisioning (Cont'd)6.4.3 Interface Groups (Cont'd)(C) Interface Group 3

Interface Group 3 provides group level analog transmission at the point of termination at the customer's premises. The interface is capable of transmitting electrical signals between the frequencies of 60 to 108 kHz, with the capability to channelize up to 12 voice frequency transmission paths. Certain frequencies within the bandwidth of the Interface Group are reserved for Telephone Company use, e.g., pilot and carrier group alarm tones. Before the first point of switching, the Telephone Company will provide multiplex equipment to derive 12 transmission paths of frequency bandwidth of approximately 300 to 3000 Hz.

The interface is provided with individual transmission path SF supervisory signaling. This interface group is obsolete and is limited to existing installations at existing locations for customers as of December 1, 1993.

(D) Interface Group 4

Interface Group 4 provides supergroup level analog transmission at the point of termination at the customer's premises. The interface is capable of transmitting electrical signals between the frequencies of 312 to 552 kHz, with the capability to channelize up to 60 voice frequency transmission paths. Certain frequencies within the bandwidth of the Interface Group are reserved for Telephone Company use, e.g., pilot and carrier group alarm tones. Before the first point of switching, the Telephone Company will provide multiplex and channel bank equipment to derive 60 transmission paths of frequency bandwidth of approximately 300 to 3000 Hz.

ISSUE DATE:
February 28, 2011

Issued Under Transmittal No. 1
Vice President-Regulatory Operations
100 CenturyLink Drive
Monroe, Louisiana 71203

EFFECTIVE DATE:
March 1, 2011

ACCESS SERVICE

6. Switched Access Service (Cont'd)6.4 Service Provisioning (Cont'd)6.4.3 Interface Groups (Cont'd)(D) Interface Group 4 (Cont'd)

The interface is provided with individual transmission path SF supervisory signaling. This Interface Group is obsolete and is limited to existing installations at existing locations for existing customers as of December 1, 1993.

(E) Interface Group 6

Interface Group 6 provides DS1 level digital transmission at the point of termination at the customer's premises. The interface is capable of transmitting electrical signals at a nominal 1.544 Mbps, with the capability to channelize up to 24 voice frequency transmission paths. Before the first point of switching, when analog switching utilizing analog terminations is provided, the Telephone Company will provide multiplex and channel bank equipment to derive 24 transmission paths of a frequency bandwidth of approximately 300 to 3000 Hz. When digital switching or analog switching with digital carrier terminations is provided, the Telephone Company will provide, at the first point of switching, a DS1 signal in D3/D4 format.

The interface is provided with individual transmission path bit stream supervisory signaling.

ISSUE DATE:
February 28, 2011

Issued Under Transmittal No. 1
Vice President-Regulatory Operations
100 CenturyLink Drive
Monroe, Louisiana 71203

EFFECTIVE DATE:
March 1, 2011

ACCESS SERVICE

6. Switched Access Service (Cont'd)6.4 Service Provisioning (Cont'd)6.4.3 Interface Groups (Cont'd)(F) Interface Group 9

Interface Group 9 provides DS3 level digital transmission at the point of termination at the customer's premises. The interface is capable of transmitting electrical signals at a nominal 44.736 Mbps, with the capability to channelize up to 672 voice frequency transmission paths. Before the first point of switching, when analog switching utilizing analog terminations is provided, the Telephone Company will provide multiplex and channel bank equipment to derive up to 672 transmission paths of a frequency bandwidth of approximately 300 to 3000 Hz. When digital switching, or analog switching with digital carrier terminations is provided, the Telephone Company will provide, at the first point of switching, DS1 signals in D3/D4 format.

The interface is provided with individual transmission path bit stream supervisory signaling.

ISSUE DATE:
February 28, 2011

Issued Under Transmittal No. 1
Vice President-Regulatory Operations
100 CenturyLink Drive
Monroe, Louisiana 71203

EFFECTIVE DATE:
March 1, 2011

ACCESS SERVICE

6. Switched Access Service (Cont'd)6.4 Service Provisioning (Cont'd)6.4.3 Interface Groups (Cont'd)(G) Available Premises Interface Codes

Following is a matrix showing, for each Interface Group, which premises interfaces are available as a function of the Telephone Company switch supervisory signaling and Feature Group. Each premises interface is identified by a specific premises interface code. Voice trunks are available with Interface Groups 1-4, 6 and 9. Signaling links are available with Interface Groups 6 and 9. For explanations of these codes, see 7.3.1 following.

Interface Group	Telephone Company Switch Supervisory Signaling			Premises Interface Code	Feature Group				
					A	B	C	D	
1	LO			2LS2	X				
	LO			2LS3	X				
	GO			2GS2	X				
	GO			2GS3	X				
	RV,	EA,	EB,	EC	2DX3		X	X	X
	RV,	EA,	EB,	EC	4EA2-E		X	X	X
	RV,	EA,	EB,	EC	4EA3-E		X	X	X
	RV,	EA,	EB,	EC	4EA2-M		X	X	X
	RV,	EA,	EB,	EC	4EA3-M		X	X	X
	RV,	EA,	EB,	EC	6EB2-E		X	X	X
	RV,	EA,	EB,	EC	6EB3-E		X	X	X
	RV,	EA,	EB,	EC	6EB2-M		X	X	X
	RV,	EA,	EB,	EC	6EB3-M		X	X	X
	EA,	EB,	EC		6EC2			X	X
	EA,	EB,	EC		6EC3			X	X
	RV				2RV3-0		X	X	X
	RV				2RV3-T		X	X	X
	CCS				2N02				X

ISSUE DATE:
February 28, 2011

Issued Under Transmittal No. 1
Vice President-Regulatory Operations
100 CenturyLink Drive
Monroe, Louisiana 71203

EFFECTIVE DATE:
March 1, 2011

ACCESS SERVICE

6. Switched Access Service (Cont'd)6.4 Service Provisioning (Cont'd)6.4.3 Interface Groups (Cont'd)(G) Available Premises Interface Codes (Cont'd)

Interface Group	Telephone Company Switch Supervisory Signaling				Premises Interface Code	Feature Group			
	A	B	C	D					
2	LO,	GO			4SF2	X			
	LO				4LS2	X			
	GO				4GS2	X			
	LO,	GO			6EX2-B	X			
	LO,	GO			6EX2-B	X			
	RV,	EA,	EB,	EC	4SF2		X	X	X
	RV,	EA,	EB,	EC	4DX2		X	X	X
	RV,	EA,	EB,	EC	6DX2		X		
	RV,	EA,	EB,	EC	6EA2-E		X	X	X
	RV,	EA,	EB,	EC	6EA2-M		X	X	X
	RV,	EA,	EB,	EC	8EB2-E		X	X	X
	RV,	EA,	EB,	EC	8EB2-M		X	X	X
	EA,	EB,	EC		8EC2-M			X	X
	RV				4RV2-O		X	X	X
	RV				4RV2-T		X	X	X
	CCS				4NO2				X

ISSUE DATE:
February 28, 2011

Issued Under Transmittal No. 1
Vice President-Regulatory Operations
100 CenturyLink Drive
Monroe, Louisiana 71203

EFFECTIVE DATE:
March 1, 2011

ACCESS SERVICE

6. Switched Access Service (Cont'd)6.4 Service Provisioning (Cont'd)6.4.3 Interface Groups (Cont'd)(G) Available Premises Interface Codes (Cont'd)

Interface Group	Telephone Company Switch Supervisory Signaling			Premises Interface Code	Feature Group			
	A	B	C		D			
3	LO,	GO		4AH5-B	X			
	RV,	EA,	EB, EC	4AH5-B		X	X	X
	CCS			4AH5-B				X
4	LO,	GO		4AH6-C	X			
	RV,	EA,	EB, EC	4AH6-C		X	X	X
	CCS			4AH6-C				X
6	LO,	GO		4DS9-15	X			
	LO,	GO		4DS9-15L	X			
	RV,	EA,	EB, EC	4DS9-15		X	X	X
	RV,	EA,	EB, EC	4DS9-15L		X	X	X
	CCS			4DS9-15				X
	CCS			4DS9-1SN				X
	CCS			4DS9-1BN				X
	CCS			4DS9-15B				X
9	LO,	GO		4DS6-44	X			
	LO,	GO		4DS6-44L	X			
	RV,	EA,	EB, EC	4DS6-44		X	X	X
	RV,	EA,	EB, EC	4DS6-44L		X	X	X
	CCS			4DS6-44				X

ISSUE DATE:
February 28, 2011

Issued Under Transmittal No. 1
Vice President-Regulatory Operations
100 CenturyLink Drive
Monroe, Louisiana 71203

EFFECTIVE DATE:
March 1, 2011

ACCESS SERVICE

6. Switched Access Service (Cont'd)6.5 Obligations of the Telephone Company

In addition to the obligations of the Telephone Company set forth in Section 2 preceding, the Telephone Company has certain other obligations pertaining only to the provision of Switched Access Service. These obligations are as follows:

6.5.1 Network Management

The Telephone Company will administer its network to insure the provision of acceptable service levels to all telecommunications users of the Telephone Company's network services. Generally, service levels are considered acceptable only when both end users and customers are able to establish connections with little or no delay encountered within the Telephone Company network. The Telephone Company maintains the right to apply protective controls, i.e., those actions, such as call gapping, which selectively cancel the completion of traffic, over any traffic carried over its network, including that associated with a customer's Switched Access Service. Generally, such protective measures would only be taken as a result of occurrences such as failure or overload of Telephone Company or customer facilities, natural disasters, mass calling or national security demands. In the event that the protective controls applied by the Telephone Company result in the complete loss of service by the customer, the customer will be granted a Credit Allowance for Service Interruption as set forth in 2.4.4(B)(3) preceding.

ISSUE DATE:
February 28, 2011

Issued Under Transmittal No. 1
Vice President-Regulatory Operations
100 CenturyLink Drive
Monroe, Louisiana 71203

EFFECTIVE DATE:
March 1, 2011

ACCESS SERVICE

6. Switched Access Service (Cont'd)6.5 Obligations of the Telephone Company (Cont'd)6.5.2 Design and Traffic Routing of Switched Access Service

When ordering line side or trunk side Switched Access Services, the customer must, at a minimum, specify the Switched Transport facilities to be used (i.e., Entrance Facility, Direct-Trunked Transport, and Tandem-Switched Transport). When specifying the Switched Transport facilities to be used, the customer must indicate if the facilities are new or existing. The customer is also required to specify whether the service should be provided by originating only, terminating only, or two-way trunk groups.

For Feature Groups A and B, the line or trunk directionality and traffic routing of the Switched Access Service between the customer's premises and the entry switch are determined by the customer's order for service. The Telephone Company will compare the customer's request with its own traffic routing plan and available facilities and equipment to determine whether the customer's request can be met. The Telephone Company is responsible for selection of facilities from the interface to any switching point and to the end offices where capacity is ordered.

ISSUE DATE:
February 28, 2011

Issued Under Transmittal No. 1
Vice President-Regulatory Operations
100 CenturyLink Drive
Monroe, Louisiana 71203

EFFECTIVE DATE:
March 1, 2011

ACCESS SERVICE

6. Switched Access Service (Cont'd)6.5 Obligations of the Telephone Company (Cont'd)6.5.2 Design and Traffic Routing of Switched Access (Cont'd)

Except for Feature Group B, the Telephone Company will also decide whether trunk side access will be provided through the use of two-wire or four-wire trunk terminating equipment.

Selection of facilities and equipment and traffic routing of the service are based on standard engineering methods, available facilities and equipment, and the Telephone Company traffic routing plans. If the customer desires routing or directionality different from that determined by the Telephone Company, the Telephone Company will work cooperatively with the customer in determining (1) whether the service is to be routed directly to an end office or through an access tandem switch and (2) the directionality of the service. Additionally, for Feature Group B the customer may order the optional feature Customer Specification of Switched Transport Termination.

In the event a Customer converts from FGA service to FGB service, the Telephone Company will (where the capability exists) route calls from the FGA circuits to the FGB circuits for a one-year period from the date FGA service is terminated. No additional charge will apply for this call-forwarding function.

ISSUE DATE:
February 28, 2011

Issued Under Transmittal No. 1
Vice President-Regulatory Operations
100 CenturyLink Drive
Monroe, Louisiana 71203

EFFECTIVE DATE:
March 1, 2011

ACCESS SERVICE

6. Switched Access Service (Cont'd)6.5 Obligations of the Telephone Company (Cont'd)6.5.3 Provision of Service Performance Data

Subject to availability, end-to-end service performance data available to the Telephone Company through its own service evaluation routines, may also be made available to the customer based on previously arranged intervals and format. These data provide information on overall end-to-end call completion and non-completion performance, e.g., customer equipment blockage, failure results and transmission performance. These data do not include service performance data which are provided under other tariff sections, e.g., testing service results. The charges for providing such data will be determined on an individual case basis.

6.5.4 Trunk Group Measurements Reports

Subject to availability, the Telephone Company will make available trunk group data in the form of usage in CCS, peg count and overflow, to the customer based on previously agreed to intervals. The charges for providing such data will be determined on an individual case basis.

6.5.5 Determination of Number of Transmission Paths

When ordering Switched Access Services in line quantities for Feature Group A or trunk quantities for Feature Groups B, C or D, the customer shall specify the number of transmission paths in lines or trunks based on their expected originating and terminating traffic.

For digital entry switches an equivalent termination will be provided for each feature group line or trunk requested.

ISSUE DATE:
February 28, 2011

Issued Under Transmittal No. 1
Vice President-Regulatory Operations
100 CenturyLink Drive
Monroe, Louisiana 71203

EFFECTIVE DATE:
March 1, 2011

ACCESS SERVICE

6. Switched Access Service (Cont'd)6.5 Obligations of the Telephone Company (Cont'd)6.5.6 Design Blocking Probability

The Telephone Company will design and monitor the capacity of the Switched Access Services to be provided to meet the blocking probability criteria as set forth in (A) through (D) following:

- (A) For Feature Groups A and B no design blocking criteria apply.
- (B) For Feature Group C, the design blocking objective will be no greater than one percent (.01) between the point of termination at the customer's premises and the first point of switching when traffic is directly routed without an alternate route. Standard traffic engineering methods will be used by the Telephone Company to determine the number of transmission paths required to achieve this level of blocking.
- (C) For Feature Group D, the design blocking objective for the final group will be no greater than one percent (.01) between the point of termination at the customer's premises and the end office switch, whether the traffic is directly routed without an alternate route or routed via an access tandem. Standard traffic engineering methods will be used by the Telephone Company to determine the number of transmission paths required to achieve this level of blocking. The Telephone Company will determine which traffic tables are used based on trunk group type and switch technology. The customer will be provided with these tables upon request.

ISSUE DATE:
February 28, 2011

Issued Under Transmittal No. 1
Vice President-Regulatory Operations
100 CenturyLink Drive
Monroe, Louisiana 71203

EFFECTIVE DATE:
March 1, 2011

ACCESS SERVICE

6. Switched Access Service (Cont'd)6.5 Obligations of the Telephone Company (Cont'd)6.5.6 Design Blocking Probability (Cont'd)

(D) The Telephone Company will perform routine measurement functions for the capacity ordered, whether ordered in lines or trunks, to assure that an adequate number of transmission paths are in service. The Telephone Company will recommend that additional capacity (i.e., lines or trunks) be ordered by the customer when additional paths are required to reduce the measured blocking level. For the Feature Group C or D capacity ordered, the design blocking objective is assumed to have been met if the routine measurements show that the measured blocking does not exceed the thresholds listed in the following tables.

(1) For transmission paths carrying only first routed traffic directly between an end office and a customer's premises without an alternate route, and for paths carrying only overflow traffic, the measured blocking thresholds are as follows:

Number of Transmission Paths Per Trunk Group	Measured Blocking Thresholds in the Time Consistent Busy Hour for the Number of Measurements Per Trunk Group			
	15-20 Measurements	11-14 Measurements	7-10 Measurements	3-6 Measurements
2	.070	.080	.090	.140
3	.050	.060	.070	.090
4	.050	.060	.070	.080
5-6	.040	.050	.060	.070
7-336	.030	.035	.040	.060
337-504	.025	.030	.035	.055
505 or more	.020	.025	.030	.050

ISSUE DATE:
February 28, 2011

Issued Under Transmittal No. 1
Vice President-Regulatory Operations
100 CenturyLink Drive
Monroe, Louisiana 71203

EFFECTIVE DATE:
March 1, 2011

ACCESS SERVICE

6. Switched Access Service (Cont'd)6.5 Obligations of the Telephone Company (Cont'd)6.5.6 Design Blocking Probability (Cont'd)

(D) (Cont'd)

- (2) For transmission paths carrying first routed traffic between an end office and a customer's premises via an access tandem, the measured blocking thresholds are as follows:

<u>Number of Transmission Paths Per Trunk Group</u>	<u>Measured Blocking Thresholds in the Time Consistent Busy Hour for the Number of Measurements Per Trunk Group</u>				
	<u>15-20</u>	<u>11-14</u>	<u>7-10</u>	<u>3-6</u>	
	<u>Measurements</u>	<u>Measurements</u>	<u>Measurements</u>	<u>Measurements</u>	
2	.045	.055	.060	.095	(Z)
3	.035	.040	.045	.060	(Z)
4	.035	.040	.045	.055	(Z)
5-6	.025	.035	.040	.045	(Z)
7-336	.020	.025	.030	.040	(Z)
337-504	.015	.020	.025	.035	(Z)
505 or more	.010	.015	.020	.030	(Z)

ISSUE DATE:
January 30, 2014Issued Under Transmittal No. 51
Vice President-Regulatory Operations
100 CenturyLink Drive
Monroe, Louisiana 71203EFFECTIVE DATE:
February 14, 2014

ACCESS SERVICE

6. Switched Access Service (Cont'd)6.6 Obligations of the Customer

In addition to the Obligations of the Customer set forth in Section 2 preceding, the customer has certain specific obligations pertaining to the use of Switched Access Service. These obligations are as follows:

6.6.1 Report Requirements

Customers are responsible for providing the following reports to the Telephone Company, when applicable.

(A) Jurisdictional Reports

When a customer orders Switched Access Service for both interstate and intrastate use, the customer is responsible for providing reports as set forth in 2.3.11 preceding. Charges will be apportioned in accordance with those reports. The method to be used for determining the interstate charges is set forth in 2.3.12 preceding.

(B) Code Screening Reports

When a customer orders service class routing, trunk access limitation or call gapping arrangements, it must report the number of trunks and/or the appropriate codes to be instituted in each end office or access tandem switch, for each of the arrangements ordered.

ISSUE DATE:
February 28, 2011

Issued Under Transmittal No. 1
Vice President-Regulatory Operations
100 CenturyLink Drive
Monroe, Louisiana 71203

EFFECTIVE DATE:
March 1, 2011

ACCESS SERVICE

6. Switched Access Service (Cont'd)6.6 Obligations of the Customer (Cont'd)6.6.1 Report Requirements (Cont'd)(C) 900 Access Service NXX Codes

All 900 NXX Code assignments and administration shall be in accordance with the North American Numbering Plan (NANP).

When ordering 900 Access Service, NXX Codes to be activated and NXX Codes to be deactivated must be provided to the Telephone Company at least 30 calendar days prior to the effective date of the change. Customer assigned codes, for which an order has not been received, will be blocked. When 900 Access Service interstate traffic is terminated on a switched access line and not on a dedicated access line, the customer must notify the Telephone Company of all local exchange telephone numbers to which 900 Access Service traffic is designated so that the Telephone Company can balance the end office in accordance with standard Telephone Company engineering practices for heavy volume lines.

(D) Interim 500 Access Service NXX Codes

All 500 NXX Code assignments and administration shall be in accordance with the North American Numbering Plan (NANP).

When ordering Interim 500 Access Service, NXX Codes to be activated and NXX Codes to be deactivated must be provided to the Telephone Company at least 30 calendar days prior to the effective date of the change. Customer assigned codes, for which an order has not been received, will be blocked. When Interim 500 Access Service interstate traffic is terminated on a switched access line and not on a dedicated access line, the customer must notify the Telephone Company of all local exchange telephone numbers to which Interim 500 Access Service traffic is designated so that the Telephone Company can balance the end office in accordance with standard Telephone Company engineering practices for heavy volume lines.

ISSUE DATE:
February 28, 2011

Issued Under Transmittal No. 1
Vice President-Regulatory Operations
100 CenturyLink Drive
Monroe, Louisiana 71203

EFFECTIVE DATE:
March 1, 2011

ACCESS SERVICE

6. Switched Access Service (Cont'd)6.6 Obligations of the Customer (Cont'd)6.6.2 Supervisory Signaling

The customer's facilities shall provide the necessary on-hook, off-hook, answer and disconnect supervision.

6.6.3 Trunk Group Measurement Reports

With the agreement of the customer, trunk group data in the form of usage in CCS, peg count and overflow for its end of all access trunk groups, where technologically feasible, will be made available to the Telephone Company. These data will be used to monitor trunk group utilization and service performance and will be based on previously arranged intervals and format.

6.6.4 Design of Switched Access Services

When a customer orders Switched Access Service on a per line or per trunk basis, it is the customer's responsibility to assure that sufficient access services have been ordered to handle its traffic.

6.6.5 Customer's V&H Location

The Customer shall provide to the Telephone Company at the time services are requested the V&H coordinates of its facilities at the point of termination.

ISSUE DATE:
February 28, 2011

Issued Under Transmittal No. 1
Vice President-Regulatory Operations
100 CenturyLink Drive
Monroe, Louisiana 71203

EFFECTIVE DATE:
March 1, 2011

ACCESS SERVICE

6. Switched Access Service (Cont'd)6.7 Rate Regulations

This section contains the specific regulations governing the rates and charges that apply for Switched Access Service.

6.7.1 Description and Application of Rates and Charges

There are four types of rates and charges that apply to Switched Access Service. These are monthly recurring rates (including fixed and per mile), nonrecurring charges, usage rates, and zone density charges. These rates and charges are applied differently to the various rate elements as set forth in (D) following.

(A) Monthly Rates

Monthly rates are flat recurring rates that apply each month or fraction thereof that a specific rate element is provided regardless of the amount of usage. Monthly rates may be either distance sensitive (per mile) or non-distance sensitive (fixed). For billing purposes, each month is considered to have 30 days.

(B) Usage Rates

Usage rates are rates that apply only when a specific rate element is used. These are applied on a per access minute basis as described in Section 6.7.1(D), or on a per query basis as described in Section 6.2.5. Usage rates may be either distance sensitive (per mile) or non-distance sensitive (fixed). Access minute charges are accumulated over a monthly period.

ISSUE DATE:
February 28, 2011

Issued Under Transmittal No. 1
Vice President-Regulatory Operations
100 CenturyLink Drive
Monroe, Louisiana 71203

EFFECTIVE DATE:
March 1, 2011

ACCESS SERVICE

6. Switched Access Service (Cont'd)6.7 Rate Regulations (Cont'd)6.7.1 Description and Application of Rates and Charges (Cont'd)(C) Nonrecurring Charges

Nonrecurring charges are one-time charges that apply for a specific work activity (i.e., installation or change to an existing service) and are developed at full cost recovery on a labor hours per labor time basis. When service is jointly provided under the Single Bill Method of Multiple Company (Interconnection Point) Billing, the nonrecurring charges reflect the average weighted costs of the exchange telephone companies involved and are applicable to all nonrecurring functions in the provision of Switched Access Service. Under the Multiple Bill Method, the nonrecurring charges reflect only the Telephone Company's costs and are applicable only when the nonrecurring function occurs within its territory. The types of nonrecurring charges that apply for Switched Access Service are: installation of service, installation of optional features, service rearrangements, Interim 500 Access Service, and 900 Access Service.

ISSUE DATE:
February 28, 2011

Issued Under Transmittal No. 1
Vice President-Regulatory Operations
100 CenturyLink Drive
Monroe, Louisiana 71203

EFFECTIVE DATE:
March 1, 2011

ACCESS SERVICE

6. Switched Access Service (Cont'd)6.7 Rate Regulations (Cont'd)6.7.1 Description and Application of Rates and Charges (Cont'd)(C) Nonrecurring Charges (Cont'd)(1) Installation of Service

Nonrecurring charges apply to each Switched Access Service installed. For FGA, the per line installation charge is applicable. For FGB, FGC, FGD, Interim 500 Access, TFC and 900, the per trunk installation charge is applicable on a per end office or tandem basis. The nonrecurring charge for the installation of Entrance Facilities and CCS/SS7 Interconnection Services is applied for each point of termination.

(2) Installation of Optional Features

If a separate nonrecurring charge applies for the installation of an optional feature available with Switched Access Service, the charge applies whether the feature is installed coincident with the initial installation of service or at any time subsequent to the initial installation of service.

(3) Service Rearrangements

Service rearrangements are changes to existing services installed which do not result in either a change in the minimum period requirements as set forth in 5.2.6 preceding or a change in the physical location of the point of termination at the customer's premises or the customer's end user's premises. Changes which result in the establishment of new minimum period obligations are treated as

ISSUE DATE:
February 28, 2011

Issued Under Transmittal No. 1
Vice President-Regulatory Operations
100 CenturyLink Drive
Monroe, Louisiana 71203

EFFECTIVE DATE:
March 1, 2011

ACCESS SERVICE

6. Switched Access Service (Cont'd)6.7 Rate Regulations (Cont'd)6.7.1 Description and Application of Rates and Charges (Cont'd)(C) Nonrecurring Charges (Cont'd)(3) Service Rearrangements (Cont'd)

disconnects and starts. Changes in the physical location of the point of termination are treated as moves and are described and charged for as set forth in 6.7.5 following.

The charge to the customer for the service rearrangement is dependent on whether the change is administrative only in nature or involves an actual physical change to the service.

Administrative changes will be made without charge(s) to the customer. Such changes require the continued provision and billing of the Access Service to the same entity (i.e., customer remains responsible for all outstanding indebtedness for the Access Service). Administrative changes are as follows:

- Change of customer name (i.e., the customer of record does not change but rather the customer of record changes its name—e.g., AT&T-Long Lines to AT&T-Communications),
- Change of customer or customer's end user premises address when the change of address is not a result of a physical relocation of equipment,

ISSUE DATE:
February 28, 2011

Issued Under Transmittal No. 1
Vice President-Regulatory Operations
100 CenturyLink Drive
Monroe, Louisiana 71203

EFFECTIVE DATE:
March 1, 2011

ACCESS SERVICE

6. Switched Access Service (Cont'd)6.7 Rate Regulations (Cont'd)6.7.1 Description and Application of Rates and Charges (Cont'd)(C) Nonrecurring Charges (Cont'd)(3) Service Rearrangements (Cont'd)

- Change in billing data (name, address, or contact name or telephone number),
- Change of agency authorization,
- Change of customer circuit identification,
- Change of billing account number,
- Change of customer test line number,
- Change of customer or customer's end user contact name or telephone number,
- Change of jurisdiction

All other service rearrangements will be charged for as follows:

- If the change involves the addition of or a modification to an optional feature which has a separate nonrecurring charge, that nonrecurring charge will apply.
- Rearrangements to convert FGD trunks from multifrequency address signaling to SS7 signaling will be provided at no charge. Rearrangements to convert FGD trunks from SS7 signaling to multifrequency address signaling will incur nonrecurring charge(s) as specified in 6.8.3(A) following. Such conversions will be scheduled on a project basis by the Telephone Company in cooperation with the customer.

ISSUE DATE:
February 28, 2011

Issued Under Transmittal No. 1
Vice President-Regulatory Operations
100 CenturyLink Drive
Monroe, Louisiana 71203

EFFECTIVE DATE:
March 1, 2011

ACCESS SERVICE

6. Switched Access Service (Cont'd)6.7 Rate Regulations (Cont'd)6.7.1 Description and Application of Rates and Charges (Cont'd)(C) Nonrecurring Charges (Cont'd)(3) Service Rearrangements (Cont'd)

- When the service switching point (SSP) is located at the Telephone Company's access tandem, end office and tandem trunk rearrangements will be provided at the charges set forth in 6.8.3(B) following when all of the following conditions apply:
 - (a) End office and tandem trunk rearrangements will be provided only on Feature Group D trunks located at the end office switch.
 - (b) The customer must disconnect one trunk at the end office or access tandem for each trunk installed at the SSP-equipped tandem. The number of trunks being connected at the SSP-equipped tandem cannot exceed the number of trunks disconnected.
 - (c) The customer must place the order to connect at the SSP-equipped tandem at the same time the order is placed to disconnect from the end office or tandem. The due date of the disconnection order cannot be more than six months past the due date of the order to install at the SSP-equipped tandem.

If the Telephone Company installs an SSP at the end office or tandem, upon receipt of an access order prior to December 31, 1995, the customer's trunks will be rearranged from the SSP-equipped tandem to the original end office or tandem at the access order charges set forth in 5.2.2 preceding.

ISSUE DATE:
February 28, 2011

Issued Under Transmittal No. 1
Vice President-Regulatory Operations
100 CenturyLink Drive
Monroe, Louisiana 71203

EFFECTIVE DATE:
March 1, 2011

ACCESS SERVICE

6. Switched Access Service (Cont'd)6.7 Rate Regulations (Cont'd)6.7.1 Description and Application of Rates and Charges (Cont'd)(C) Nonrecurring Charges (Cont'd)(3) Service Rearrangements (Cont'd)

- When the SSP is not located at the Telephone Company's point of switching, and traffic routing changes for end office to tandem trunking are required, a charge equal to one half the Switched Transport nonrecurring (i.e., installation) charge will apply on a per end office basis.
- The nonrecurring charges associated with routing trunks from tandem to end office or from end office to tandem transport will not apply when the following conditions are met:
 - (a) The customer must maintain the same customer premises location. Requests to add or change optional features will be subject to the charges applicable to the features.
 - (b) Direct routed end office trunks must subtend the tandem from which the service is being rearranged.
 - (c) One trunk at the end office or tandem must be disconnected for each rerouted tandem or end office trunk installed with the following exception. If the customer demonstrates that industry accepted engineering standards require the installation of additional trunks, the nonrecurring charges for such additional trunks will not apply.

ISSUE DATE:
February 28, 2011

Issued Under Transmittal No. 1
Vice President-Regulatory Operations
100 CenturyLink Drive
Monroe, Louisiana 71203

EFFECTIVE DATE:
March 1, 2011

ACCESS SERVICE

6. Switched Access Service (Cont'd)6.7 Rate Regulations (Cont'd)6.7.1 Description and Application of Rates and Charges (Cont'd)(C) Nonrecurring Charges (Cont'd)(3) Service Rearrangements (Cont'd)

- (d) The order to disconnect from the tandem or end office must be placed at the same time as the order to connect at the tandem or end office. The due date for the disconnect order may not be more than 90 days after the due date for the order to install the tandem or end office trunk.

These nonrecurring charges include installation of new facilities between the Telephone Company serving wire center and the customer's designated premises when such facilities are required to provision rerouted trunks.

- The nonrecurring charges associated with upgrades in capacity (i.e., multiple DS0s converting to DS1s, multiple DS1s converting to DS3s) will not apply when the customer maintains the same customer premises location. Requests to add or change optional features will be subject to the nonrecurring charges associated with the features requested.

ISSUE DATE:
February 28, 2011

Issued Under Transmittal No. 1
Vice President-Regulatory Operations
100 CenturyLink Drive
Monroe, Louisiana 71203

EFFECTIVE DATE:
March 1, 2011

ACCESS SERVICE

6. Switched Access Service (Cont'd)6.7 Rate Regulations (Cont'd)6.7.1 Description and Application of Rates and Charges (Cont'd)(C) Nonrecurring Charges (Cont'd)(3) Service Rearrangements (Cont'd)

- Service rearrangement charges will not apply when a customer converts trunks from tandem-switched transport to direct-trunked transport, or orders the disconnection of over-provisioned trunks, prior to January 1, 1999.
- Service rearrangements to redirect traffic from direct routed to tandem routed for performance of the TFC data base query required for TFC Access Service, where the TFC query function is initially available only at the tandem, will be assessed the End Office to Tandem Rearrangement Charge set forth in Section 6.8.3(B) following. When the TFC data base query function becomes available for TFC Access Service at end offices subtending the tandem to which customers have redirected TFC traffic, customers will be allowed to rearrange TFC traffic from tandem routed to direct routed at no charge provided that the same customer premises is maintained.

ISSUE DATE:
February 28, 2011

Issued Under Transmittal No. 1
Vice President-Regulatory Operations
100 CenturyLink Drive
Monroe, Louisiana 71203

EFFECTIVE DATE:
March 1, 2011

ACCESS SERVICE

6. Switched Access Service (Cont'd)

6.7 Rate Regulations (Cont'd)

6.7.1 Description and Application of Rates and Charges (Cont'd)

(C) Nonrecurring Charges (Cont'd)

(3) Service Rearrangements (Cont'd)

- For all other changes, including the addition of, or modifications to, optional features without separate nonrecurring charges, a charge equal to one half the Switched Transport nonrecurring (i.e., installation) charge will apply. When an optional feature is not required on each transmission path, but rather for an entire transmission path group, an end office or an access tandem switch, only one such charge will apply (i.e., it will not apply per transmission path).

ISSUE DATE:
February 28, 2011

Issued Under Transmittal No. 1
Vice President-Regulatory Operations
100 CenturyLink Drive
Monroe, Louisiana 71203

EFFECTIVE DATE:
March 1, 2011

ACCESS SERVICE

6. Switched Access Service (Cont'd)6.7 Rate Regulations (Cont'd)6.7.1 Description and Application of Rates and Charges (Cont'd)(C) Nonrecurring Charges (Cont'd)(4) 900 Access Service

A nonrecurring charge as specified in 6.8.5 following applies each time a change is made which involves the addition or deletion of 900 NXX codes to be routed to the customer. The charge is assessed per 900 NXX code added or deleted for each Telephone Company end office switch or access tandem in which translation changes are required. This charge applies to the initial loading of one or more 900 NXX codes required to establish service for the customer, and to any subsequent changes (i.e., additions or deletions) to those codes. There is also an Assembly of Route Pattern nonrecurring charge which applies once for each Telephone Company end office, but only on the customer's initial request to the Telephone Company for 900 Access Service in each state, LATA, access tandem or end office.

(5) Interim 500 Access Service

A nonrecurring charge as specified in 6.8.6 following applies each time a change is made which involves the addition or deletion of 500 NXX codes to be routed to the customer. The charge is assessed per 500 NXX code added or deleted for each Telephone Company end office switch or access tandem in which translation changes are required. This charge applies to the initial loading of one or more 500 NXX codes required to establish service for the customer, and to any subsequent changes (i.e., additions or deletions) to those codes. There is also an Assembly of Route Pattern nonrecurring charge which applies once for each Telephone Company end office, but only on the customer's initial request to the Telephone Company for Interim 500 Access Service in each state, LATA, access tandem or end office.

ISSUE DATE:
February 28, 2011

Issued Under Transmittal No. 1
Vice President-Regulatory Operations
100 CenturyLink Drive
Monroe, Louisiana 71203

EFFECTIVE DATE:
March 1, 2011

ACCESS SERVICE

6. Switched Access Service (Cont'd)

6.7 Rate Regulations (Cont'd)

6.7.1 Description and Application of Rates and Charges (Cont'd)

(D) Application of Rates

(D)

The specific application of rates for a specific customer is dependent upon the type of service provided. The following rules provide the basis for applying the rates to Local Switching and Carrier Common Line.

(C)
(C)
(C)
(C)

(1) Reserved For Future Use

(2) Rates apply to all FGC and FGD access minutes, to all FGA and FGB access minutes that originate from or terminate at end offices. Rates also apply to all Interim 500, TFC and 900 Access Service minutes that originate from end offices via FGD, or Interim 500, TFC and 900 Access Service minutes that originate from end offices for customers who subscribe to FGC.

(C)
|
(C)

ISSUE DATE:
January 30, 2014

Issued Under Transmittal No. 51
Vice President-Regulatory Operations
100 CenturyLink Drive
Monroe, Louisiana 71203

EFFECTIVE DATE:
February 14, 2014

ACCESS SERVICE

6. Switched Access Service (Cont'd)

6.7 Rate Regulations (Cont'd)

6.7.1 Description and Application of Rates and Charges (Cont'd)

(D) Application of Rates (Cont'd)

(3) Rates, including Local Switching - LS2, apply to all FGB, FGC, and FGD usage at an end office for any customer which provides MTS and WATS services and subscribes to FGB and either FGC or FGD originating and/or terminating at those end offices. (C)

(4) Reserved For Future Use

(5) Reserved For Future Use (C)
(D)

(6) Reserved for Future Use (C)

(D)
|
(D)

ISSUE DATE:
January 30, 2014

Issued Under Transmittal No. 51
Vice President-Regulatory Operations
100 CenturyLink Drive
Monroe, Louisiana 71203

EFFECTIVE DATE:
February 14, 2014

ACCESS SERVICE

6. Switched Access Service (Cont'd)

6.7 Rate Regulations (Cont'd)

6.7.1 Description and Application of Rates and Charges (Cont'd)

(D) Application of Rates (Cont'd)

(6) (Cont'd)

(D)

(D)

ISSUE DATE:
January 30, 2014

Issued Under Transmittal No. 51
Vice President-Regulatory Operations
100 CenturyLink Drive
Monroe, Louisiana 71203

EFFECTIVE DATE:
February 14, 2014

ACCESS SERVICE

6. Switched Access Service (Cont'd)

6.7 Rate Regulations (Cont'd)

6.7.1 Description and Application of Rates and Charges (Cont'd)

(D) Application of Rates (Cont'd)

(D)

(D)

ISSUE DATE:
January 30, 2014

Issued Under Transmittal No. 51
Vice President-Regulatory Operations
100 CenturyLink Drive
Monroe, Louisiana 71203

EFFECTIVE DATE:
February 14, 2014

ACCESS SERVICE

6. Switched Access Service (Cont'd)

6.7 Rate Regulations (Cont'd)

6.7.1 Description and Application of Rates and Charges (Cont'd)

(D) Application of Rates (Cont'd)

(6) (Cont'd)

(D)

(D)

ISSUE DATE:
January 30, 2014

Issued Under Transmittal No. 51
Vice President-Regulatory Operations
100 CenturyLink Drive
Monroe, Louisiana 71203

EFFECTIVE DATE:
February 14, 2014

ACCESS SERVICE

6. Switched Access Service (Cont'd)

6.7 Rate Regulations (Cont'd)

6.7.1 Description and Application of Rates and Charges (Cont'd)

(D) Application of Rates (Cont'd)

(D)

(D)

ISSUE DATE:
January 30, 2014

Issued Under Transmittal No. 51
Vice President-Regulatory Operations
100 CenturyLink Drive
Monroe, Louisiana 71203

EFFECTIVE DATE:
February 14, 2014

ACCESS SERVICE

6. Switched Access Service (Cont'd)6.7 Rate Regulations (Cont'd)6.7.2 Minimum Periods

The minimum service period for all switched access services is one month, with the exception of Feature Group D. Feature Group D is provided for a minimum period of three months.

6.7.3 Minimum Monthly Charge

Switched Access Service is subject to a minimum monthly charge. The minimum charge applies for the total capacity provided. The minimum monthly charge consists of the following elements:

For usage rated Switched Access Services, the minimum monthly charge for the Tandem-Switched Transport and Local Switching rate elements is the sum of the charges set forth in 6.8.2(C) and 6.8.3 following for the measured or assumed usage for the month. For flat rated Switched Access services, the minimum monthly charge for the Entrance Facility and Direct-Trunked Transport rate elements is the applicable monthly rate for the service.

ISSUE DATE:
February 28, 2011

Issued Under Transmittal No. 1
Vice President-Regulatory Operations
100 CenturyLink Drive
Monroe, Louisiana 71203

EFFECTIVE DATE:
March 1, 2011

ACCESS SERVICE

6. Switched Access Service (Cont'd)

6.7 Rate Regulations (Cont'd)

6.7.4 Change of Feature Group Type

Changes from one type of Feature Group to another will be treated as a discontinuance of one type of service and a start of another. Nonrecurring charges will apply, with two exceptions.

- (1) When a customer upgrades a Feature Group A or B service to a Feature Group D service, the nonrecurring charges will not apply if the following conditions are met:
 - (a) The same customer premises is maintained, and
 - (b) The orders for the disconnect of the FGA or FGB service and the start of FGD service are placed with the Telephone Company at the same time, and
 - (c) The customer requests the same effective date for both the disconnect of service and start of service orders, or
 - (d) The customer requests the FGA or FGB service be disconnected no more than 90 days after the start of the FGD service.
- (2) When a FGC service is upgraded to a FGD service, the nonrecurring charge will not apply. Because FGC is no longer available in an end office once the end office is equipped with equal access capabilities, (i.e., FGD), such upgrades will be performed by the Telephone Company without the customer being required to place an order for the change.

ISSUE DATE:
February 28, 2011

Issued Under Transmittal No. 1
Vice President-Regulatory Operations
100 CenturyLink Drive
Monroe, Louisiana 71203

EFFECTIVE DATE:
March 1, 2011

ACCESS SERVICE

6. Switched Access Service (Cont'd)6.7 Rate Regulations (Cont'd)6.7.4 Change of Feature Group Type (Cont'd)

At the time the customer upgrades from FGA, FGB or FGC to FGD, the customer may also change the facility used to provide the upgraded service. This change will be made at no additional charge and may include a change in the connection type (e.g., Voice Grade to DS1) and/or a change in the facility type (e.g., Direct-Trunked Transport to Tandem-Switched Transport).

When the effective dates for the disconnect and start of service are the same, minimum period obligations will not change, (i.e., the time elapsed in the existing minimum period obligations will be credited to the minimum period obligations for FGD). When the effective dates for the disconnect and start of service are different, new minimum period obligations will be established for the FGD service. For all other changes from one type of Feature Group to another, new minimum period obligations will also be established.

ISSUE DATE:
February 28, 2011

Issued Under Transmittal No. 1
Vice President-Regulatory Operations
100 CenturyLink Drive
Monroe, Louisiana 71203

EFFECTIVE DATE:
March 1, 2011

ACCESS SERVICE

6. Switched Access Service (Cont'd)6.7 Rate Regulations (Cont'd)6.7.5 Moves

A move involves a change in the physical location of one of the following:

- The point of termination at the customer's premises
- The customer's premises

The charges for the move are dependent on whether the move is to a new location within the same building or to a different building.

(A) Moves Within the Same Building

When the move is to a new location within the same building, the charge for the move will be an amount equal to one half of the nonrecurring (i.e., installation) charge for the capacity affected. There will be no change in the minimum period requirements.

(B) Moves to a Different Building

Moves to a different building will be treated as a discontinuance and start of service and all associated nonrecurring charges will apply. New minimum period requirements will be established for the new service. The customer will also remain responsible for satisfying all outstanding minimum period charges for the discontinued service.

When moves to a different building occur simultaneously with rerouting trunks from tandem to end office or from end office to tandem transport, a charge equal to one half of the associated installation charges will apply.

ISSUE DATE:
February 28, 2011

Issued Under Transmittal No. 1
Vice President-Regulatory Operations
100 CenturyLink Drive
Monroe, Louisiana 71203

EFFECTIVE DATE:
March 1, 2011

ACCESS SERVICE

6. Switched Access Service (Cont'd)6.7 Rate Regulations (Cont'd)6.7.6 Accumulation of Number of Transmission Paths

The number of transmission paths used to determine the charges as set forth in Section 6.8 shall be the sum of the number of paths actually provided as set forth in Section 6.5.5.

6.7.7 Measuring Access Minutes

Customer traffic to end offices will be measured by the Telephone Company at end office switches or access tandem switches. Originating and terminating calls will be measured by the Telephone Company to determine the basis for computing chargeable access minutes. For terminating calls over FGA and FGB, FGC to TFC, and FGD, and for originating calls over FGA, FGB, and FGD, the measured minutes are the chargeable access minutes. For originating calls over FGC, chargeable originating access minutes are derived from measured conversation minutes and through the use of Telephone Company factors. Chargeable terminating minutes for FGC are derived on an individual entity basis from measured originating conversation minutes through the application of a terminating to originating factor (T/O). The Telephone Company will be responsible for determining the T/O factor, and will provide supporting detail to the customer on a quarterly basis upon request.

FGA access minutes or fractions thereof, the exact value of the fraction being a function of the switch technology where the measurement is made, are accumulated over the billing period for each line or hunt group, and are then rounded up to the nearest access minute for each line or hunt group.

ISSUE DATE:
February 28, 2011

Issued Under Transmittal No. 1
Vice President-Regulatory Operations
100 CenturyLink Drive
Monroe, Louisiana 71203

EFFECTIVE DATE:
March 1, 2011

ACCESS SERVICE

6. Switched Access Service (Cont'd)6.7 Rate Regulations (Cont'd)6.7.7 Measuring Access Minutes (Cont'd)

FGB, FGC and FGD access minutes or fractions thereof, the exact value of the fraction being a function of the switch technology where the measurement is made, are accumulated over the billing period for each end office, and are then rounded up to the nearest access minute for each end office.

Where originating and/or terminating traffic measurement capability does not exist, the number of access minutes per FGA line or FGB trunk will be assumed as follows:

- (A) A single, monthly surrogate of assumed minutes per two way line or trunk per month shall apply as set forth in (D) following. For FGA lines, the terminating assumed usage will be 47% of the two way surrogate and the originating assumed usage will be 53% of the two way surrogate. For FGB trunks, the originating and terminating assumed usage will each be 50% of the two way surrogate.
- (B) When measurement capability does not exist for a one way line or trunk, a single, monthly surrogate of assumed minutes per one way line or trunk per month shall apply as set forth in (D) following.
- (C) When measurement capability does not exist in one direction for a two way line or trunk (e.g., recording for terminating usage only), the number of access surrogate for a two way line or trunk or the recorded usage for the single direction, whichever is greater.

ISSUE DATE:
February 28, 2011

Issued Under Transmittal No. 1
Vice President-Regulatory Operations
100 CenturyLink Drive
Monroe, Louisiana 71203

EFFECTIVE DATE:
March 1, 2011

ACCESS SERVICE

6. Switched Access Service (Cont'd)

6.7 Rate Regulations (Cont'd)

6.7.7 Measuring Access Minutes (Cont'd)

(D) The assumed minutes of use monthly surrogates are as follows:

	<u>Per Two Way Line or Trunk</u>		<u>Per One Way Line or Trunk</u>			
	<u>FGA</u>	<u>FGB</u>	<u>Originating Only</u>		<u>Terminating Only</u>	
			<u>FGA</u>	<u>FGB</u>	<u>FGA</u>	<u>FGB</u>
Florida	*	*	*	*	*	*
Minnesota	*	*	*	*	*	*
Nebraska	1864	*	*	*	*	*
Oregon	444	*	*	*	*	*
Washington	*	*	*	*	*	*
Wyoming	*	*	*	*	*	*

(D)
 |
 (D)
 |
 (D)
 |
 (D)
 |
 (D)
 |
 (D)
 |
 (D)

* All existing services are measured or there are no customers for these services at present. If an Access Service Request is received in an office where measurement capability does not exist, a traffic study will be completed to develop a surrogate, and such surrogate will be tarified.

**Material deleted from this page now appears in Brightspeed Local fOperating Companies
 Tariff F.C.C. NO. 9.**

(N)
 (N)

ACCESS SERVICE

6. Switched Access Service (Cont'd)6.7 Rate Regulations (Cont'd)6.7.7 Measuring Access Minutes (Cont'd)(E) Feature Group A Usage Measurement

For originating calls over FGA, usage measurement begins when the originating FGA entry switch receives an off-hook supervisory signal forwarded from the customer's point of termination, indicating that the customer has received the call.

The measurement of originating call usage over FGA ends when the originating FGA entry switch receives an on-hook supervisory signal from either the originating end user's end office, indicating the originating end user has disconnected, or the customer's point of termination, whichever is recognized first by the entry switch.

For terminating calls over FGA, usage measurement begins when the terminating FGA entry switch receives an off-hook supervisory signal from the terminating end user's end office, indicating the terminating end user has answered. The measurement of terminating call usage over FGA ends when the terminating FGA entry switch receives an on-hook supervisory signal from either the terminating end user's end office, indicating the terminating end user has disconnected, or the customer's point of termination, whichever is recognized first by the entry switch.

ISSUE DATE:
February 28, 2011

Issued Under Transmittal No. 1
Vice President-Regulatory Operations
100 CenturyLink Drive
Monroe, Louisiana 71203

EFFECTIVE DATE:
March 1, 2011

ACCESS SERVICE

6. Switched Access Service (Cont'd)6.7 Rate Regulations (Cont'd)6.7.7 Measuring Access Minutes (Cont'd)(F) Feature Group B Usage Measurement

For originating calls over FGB, usage measurement begins when the originating FGB entry switch receives answer supervision forwarded from the customer's point of termination, indicating the customer's equipment has answered.

The measurement of originating call usage over FGB ends when the originating FGB entry switch receives disconnect supervision from either the originating end user's end office, indicating the originating end user has disconnected, or the customer's point of termination, whichever is recognized first by the entry switch.

For terminating calls over FGB, usage measurement begins when the terminating FGB entry switch receives answer supervision from the terminating end user's end office, indicating the terminating end user has answered.

The measurement of terminating call usage over FGB ends when the terminating FGB entry switch receives disconnect supervision from either the terminating end user's end office, indicating the terminating end user has disconnected, or the customer's point of termination, whichever is recognized first by the entry switch.

ISSUE DATE:
February 28, 2011

Issued Under Transmittal No. 1
Vice President-Regulatory Operations
100 CenturyLink Drive
Monroe, Louisiana 71203

EFFECTIVE DATE:
March 1, 2011

ACCESS SERVICE

6. Switched Access Service (Cont'd)6.7 Rate Regulations (Cont'd)6.7.7 Measuring Access Minutes (Cont'd)(G) Feature Group C Usage Measurement

For originating calls over FGC, usage measurement begins when the originating FGC entry switch receives answer supervision from the customer's point of termination, indicating that the called party has answered.

The measurement of originating call usage over FGC ends when the originating FGC entry switch receives disconnect supervision from either the originating end user's end office, indicating the originating end user has disconnected, or the customer's point of termination, whichever is recognized first by the entry switch.

For terminating calls over FGC to services other than TFC, 900 or Directory Assistance, terminating FGC usage may not be directly measured at the terminating entry switch, but may be imputed from originating usage, excluding usage from calls to TFC, 900 or Directory Assistance Services. Actual measured usage will be used where available rather than an imputed value.

For terminating calls over FGC to TFC Service, usage measurement begins when the terminating FGC entry switch receives answer supervision from the terminating end user's end office, indicating the terminating TFC Service end user has answered.

The measurement of terminating call usage over FGC to TFC Service ends when the terminating FGC entry switch receives an on-hook supervisory signal from the terminating end user's end office, indicating the terminating TFC Service end user has disconnected, or from the customer's point of termination, whichever is recognized first by the entry switch.

ISSUE DATE:
February 28, 2011

Issued Under Transmittal No. 1
Vice President-Regulatory Operations
100 CenturyLink Drive
Monroe, Louisiana 71203

EFFECTIVE DATE:
March 1, 2011

ACCESS SERVICE

6. Switched Access Service (Cont'd)6.7 Rate Regulations (Cont'd)

6.7.7 Measuring Access Minutes (Cont'd)

(H) Feature Group D Usage Measurement

For originating calls over FGD, with multifrequency address signaling, usage measurement begins when the originating FGD entry switch receives the first wink supervisory signal forwarded from the customer's point of termination. The measurement of originating call usage over FGD ends when the originating FGD entry switch receives disconnect supervision from either the originating end user's end office, indicating the originating end user has disconnected, or the customer's point of termination, whichever is recognized first by the entry switch.

For originating calls over FGD with SS7 signaling, usage measurement begins with the transmission of the initial address message. The measurement of originating FGD call usage ends when the entry switch receives or sends a release message, whichever occurs first.

For terminating calls over FGD, with multifrequency address signaling, the measurement of access minutes begins when the terminating FGD entry switch receives answer supervision from the terminating end user's end office, indicating the terminating end user has answered. The measurement of terminating call usage over FGD ends when the terminating FGD entry switch receives disconnect supervision from either the terminating end user's end office, indicating the terminating end user has disconnected, or the customer's point of termination, whichever is recognized first by the entry switch.

ISSUE DATE:
February 28, 2011

Issued Under Transmittal No. 1
Vice President-Regulatory Operations
100 CenturyLink Drive
Monroe, Louisiana 71203

EFFECTIVE DATE:
March 1, 2011

ACCESS SERVICE

6. Switched Access Service (Cont'd)6.7 Rate Regulations (Cont'd)6.7.7 Measuring Access Minutes (Cont'd)(H) Feature Group D Usage Measurement (Cont'd)

For terminating calls over FGD with SS7 signaling, usage measurement begins when the terminating recording switch receives answer supervision from the terminating end user. The Telephone Company switch receives answer supervision and sends the indication to the customer in the form of an answer message. The measurement of terminating FGD call usage ends when the entry switch receives or sends a release message, whichever occurs first.

ISSUE DATE:
February 28, 2011

Issued Under Transmittal No. 1
Vice President-Regulatory Operations
100 CenturyLink Drive
Monroe, Louisiana 71203

EFFECTIVE DATE:
March 1, 2011

ACCESS SERVICE

6. Switched Access Service (Cont'd)6.7 Rate Regulations (Cont'd)6.7.7 Measuring Access Minutes (Cont'd)(I) Toll Free Code (TFC) Access Service Usage Measurement

Usage measurement from non-equal access and equal access end offices without the customer identification function begins when the originating end office switch receives off-hook supervision forwarded from the customer's point of termination, indicating the transmitted digits have been received, except for FGC as stated following.

Usage measurement for FGC begins when the originating end office receives off-hook answer supervision forwarded from the customer's point of termination, indicating the called party has answered.

Usage measurement from equal access end offices with the customer identification function begins when the originating end office switch receives the first wink supervisory signal forwarded from the customer's point of termination.

In all cases, usage measurement ends when the originating end office receives on-hook disconnect supervision from either the originating end user's end office, indicating the originating end user has disconnected, or the customer's point of termination, which ever is recognized first by the end office.

ISSUE DATE:
February 28, 2011

Issued Under Transmittal No. 1
Vice President-Regulatory Operations
100 CenturyLink Drive
Monroe, Louisiana 71203

EFFECTIVE DATE:
March 1, 2011

ACCESS SERVICE

6. Switched Access Service (Cont'd)6.7 Rate Regulations (Cont'd)6.7.7 Measuring Access Minutes (Cont'd)(J) 900 Access Service Usage Measurement

Usage measurement from non-equal access and equal access end offices without the customer identification function begins when the originating end office switch receives off-hook supervision forwarded from the customer's point of termination, indicating the transmitted digits have been received, except for FGC as stated following.

Usage measurement for FGC begins when the originating end office receives off-hook answer supervision forwarded from the customer's point of termination, indicating the called party has answered.

Usage measurement from equal access end offices with the customer identification function begins when the originating end office switch receives the first wink supervisory signal forwarded from the customer's point of termination.

In all cases, usage measurement ends when the originating end office receives on-hook disconnect supervision from either the originating end user's end office, indicating the originating end user has disconnected, or the customer's point of termination, which ever is recognized first by the end office.

ISSUE DATE:
February 28, 2011

Issued Under Transmittal No. 1
Vice President-Regulatory Operations
100 CenturyLink Drive
Monroe, Louisiana 71203

EFFECTIVE DATE:
March 1, 2011

ACCESS SERVICE

6. Switched Access Service (Cont'd)6.7 Rate Regulations (Cont'd)6.7.7 Measuring Access Minutes (Cont'd)(K) Interim 500 Access Service Usage Measurement

Usage measurement from non-equal access and equal access end offices without the customer identification function begins when the originating end office switch receives off-hook supervision forwarded from the customer's point of termination, indicating the transmitted digits have been received, except for FGC as stated following.

Usage measurement for FGC begins when the originating end office receives off-hook answer supervision forwarded from the customer's point of termination, indicating the called party has answered.

Usage measurement from equal access end offices with the customer identification function begins when the originating end office switch receives the first wink supervisory signal forwarded from the customer's point of termination.

In all cases, usage measurement ends when the originating end office receives on-hook disconnect supervision from either the originating end user's end office, indicating the originating end user has disconnected, or the customer's point of termination, which ever is recognized first by the end office.

ISSUE DATE:
February 28, 2011

Issued Under Transmittal No. 1
Vice President-Regulatory Operations
100 CenturyLink Drive
Monroe, Louisiana 71203

EFFECTIVE DATE:
March 1, 2011

ACCESS SERVICE

6. Switched Access Service (Cont'd)6.7 Rate Regulations (Cont'd)6.7.8 Network Blocking Charge for Feature Group D

The customer will be notified by the Telephone Company to increase its capacity (quantities of trunks) when excessive trunk group blocking occurs on groups carrying Feature Group D traffic. Excessive trunk group blocking occurs when the blocking thresholds as described in 6.5.6 preceding are exceeded. If the order for sufficient additional capacity to handle the customers' traffic has not been received by the Telephone Company within 15 days of the notification, the Telephone Company will bill the customer, at the rate set forth in 6.8.2(E) following, for each overflow in excess of the chargeable threshold.

Chargeable ThresholdsFor Trunk Groups As Specified in 6.5.6(D)(1)

<u>Trunk Group Size</u>	<u>Allowable Overflows Per Trunk Per Month</u>
1-2	18
3-4	19
5-6	13
7-40	10
41-139	9
140-500	8
501 or greater	7

For Trunk Groups As Specified in 6.5.6(D)(2)

<u>Trunk Group Size</u>	<u>Allowable Overflows Per Trunk Per Month</u>
1-4	10
5-6	8
7-125	6
126 or greater	5

ISSUE DATE:
February 28, 2011

Issued Under Transmittal No. 1
Vice President-Regulatory Operations
100 CenturyLink Drive
Monroe, Louisiana 71203

EFFECTIVE DATE:
March 1, 2011

ACCESS SERVICE

6. Switched Access Service (Cont'd)6.7 Rate Regulations (Cont'd)6.7.9 Application of Rates for Extension Service

Feature Group A Switched Access Service is available with extensions, i.e., additional terminations of the service at different building(s) in the same or a different exchange. Feature Group A extensions within the same exchange are charged for under the Telephone Company's local and/or general exchange service tariffs. Feature Group A extensions in different exchanges are charged for as Special Access Service. The rate elements which apply are: A Voice Grade Channel Termination and Channel Mileage if applicable. All appropriate monthly rates and nonrecurring charges set forth in 7.5.2 following will apply. Such extensions are ordered as set forth in 5.2 preceding.

6.7.10 Message Unit Credit

Where Local Measured Service (LMS) is available, and for calls from end users to the seven digit local telephone numbers associated with Feature Groups A, Switched Access Service will not be charged, therefore, a message unit credit will not be applicable.

6.7.11 Local Information Delivery Services

Calls over Switched Access in the terminating direction to certain community information services will be rated under the applicable rates for Switched Access Service as set forth in 6.8 following. In addition, the charges per call as specified under the Telephone Company's local and/or general exchange service tariffs, e.g., 976 (DIAL-IT) Network Services, will also apply.

ISSUE DATE:
February 28, 2011

Issued Under Transmittal No. 1
Vice President-Regulatory Operations
100 CenturyLink Drive
Monroe, Louisiana 71203

EFFECTIVE DATE:
March 1, 2011

ACCESS SERVICE

6. Switched Access Service (Cont'd)6.7 Rate Regulations (Cont'd)6.7.12 Mileage Measurement

The mileage to be used to determine the rate for Direct-Trunked Transport and Tandem-Switched Transport is calculated based on the airline distance between the end office switch where the call carried by Switched Transport service originates or terminates and the customer's serving wire center, except as set forth in (A) through (M) following. The V&H coordinates method is used to determine mileage. This method is set forth in the National Exchange Carrier Association, Inc. Tariff F.C.C. No. 4 for Wire Center Information (V&H coordinates).

If the calculation results in a fraction of a mile, always round up to the next whole mile before applying the rates.

Exceptions to the mileage measurement rules are as follows:

- (A) When Switched Transport facilities of different capacities are interconnected by a multiplexer at a location other than the serving wire center, mileage is determined using the V&H coordinates method as set forth following:
- (1) When only one multiplexer is involved, mileage for Direct-Trunked Transport and Tandem-Switched Transport is measured separately from the serving wire center to the hub where multiplexing (i.e., facilities interconnection) occurs and then measured from the hub to the end office where the call is switched to originate or terminate.
 - (2) When more than one multiplexer is involved, mileage for Direct-Trunked Transport and Tandem-Switched Transport is measured successively from the serving wire center to the first hub, from the first hub to the second hub, and then from the second hub to the end office where the call is switched to originate or terminate.

ISSUE DATE:
February 28, 2011

Issued Under Transmittal No. 1
Vice President-Regulatory Operations
100 CenturyLink Drive
Monroe, Louisiana 71203

EFFECTIVE DATE:
March 1, 2011

ACCESS SERVICE

6. Switched Access Service (Cont'd)6.7 Rate Regulations (Cont'd)6.7.12 Mileage Measurement (Cont'd)

(A) (Cont'd)

(2) (Cont'd)

If more than two hubs are involved, mileage is measured successively between each intervening hub, with the final measurement being from the last hub to the end office where the call is switched to originate or terminate.

(B) When transport is provided to a host/remote arrangement, Tandem-Switched Transmission rates apply from the Host office to the associated RSMs/RSSs. Mileage for Tandem-Switched Transmission is calculated from the V&H coordinates of the Host office and the RSS/RSM where the call originates or terminates. Additional Tandem-Switched Transport or Direct-Trunked Transport rates apply depending on the transport service provided from the host/remote arrangement.

(C) When Switched Transport is provided to a Class 4/5 switch (i.e., a switch that functions as both an access tandem and end office) for both access tandem routing and end office routing, mileage is calculated using the V&H coordinates method.

ISSUE DATE:
February 28, 2011

Issued Under Transmittal No. 1
Vice President-Regulatory Operations
100 CenturyLink Drive
Monroe, Louisiana 71203

EFFECTIVE DATE:
March 1, 2011

ACCESS SERVICE

6. Switched Access Service (Cont'd)6.7 Rate Regulations (Cont'd)6.7.12 Mileage Measurement (Cont'd)

(C) (Cont'd)

Direct-Trunked Transport is measured from the serving wire center to the hub interconnecting the Tandem-Switched Transport and the Direct-Trunked Transport facilities and then measured from the hub to the end office.

Tandem-Switched Transmission is measured from the hub interconnecting the Tandem-Switched Transport and the Direct-Trunked Transport facilities to the end office where the call is switched to originate or terminate.

(D) When Direct-Trunked Transport is provided for line side Switched Access services (i.e., FGA), both Direct-Trunked Transport and Tandem-Switched Transmission rates apply.

Direct-Trunked Transport applies to both originating and terminating usage, and mileage is calculated using the V&H coordinates of the customer's serving wire center and the end office switch where the dial tone for the line side Switched Access service is provided.

Tandem-Switched Transmission applies only to terminating usage, and mileage is calculated using the V&H coordinates of the dial tone office and the end office where the call is switched to terminate.

(E) Mileage for access minutes in the originating direction over Feature Group A Switched Access Service will be calculated on an airline basis, using the V&H coordinates method, between the end office switch where the Feature Group A switching dial tone is provided and the customer's serving wire center for the Switched Access Service provided.

ISSUE DATE:
February 28, 2011

Issued Under Transmittal No. 1
Vice President-Regulatory Operations
100 CenturyLink Drive
Monroe, Louisiana 71203

EFFECTIVE DATE:
March 1, 2011

ACCESS SERVICE

6. Switched Access Service (Cont'd)6.7 Rate Regulations (Cont'd)6.7.12 Mileage Measurement (Cont'd)

- (F) When trunks are rerouted from an end office to an access tandem as set forth in 6.7.1(C)(3) preceding, the Switched Transport mileage will be calculated on the airline distance between the end office and the serving wire center of the customer's POP associated with that access tandem.
- (G) When the Alternate Traffic Routing optional feature is provided with Feature Groups B, C and D to provide service from an end office to different customer premises locations, Switched Transport access minutes will be apportioned between the two transmission routes used to provide this feature. For Feature Groups B and C, such apportionment will be made using standard Telephone Company traffic engineering methodology and will be based on the last trunk CCS desired for the high usage group, as described in 6.3(O) preceding, and the relative capacity ordered to the end office, when the feature is provided at an end office switch, or to the subtending end offices when the feature is provided at an access tandem switch. For Feature Group D, the apportionment will be based on the actual measured data which is recorded against the specific trunk group that carried a particular call. This apportionment will serve as the basis for the Switched Transport mileage calculation. The customer will be billed accordingly.

ISSUE DATE:
February 28, 2011

Issued Under Transmittal No. 1
Vice President-Regulatory Operations
100 CenturyLink Drive
Monroe, Louisiana 71203

EFFECTIVE DATE:
March 1, 2011

ACCESS SERVICE

6. Switched Access Service (Cont'd)6.7 Rate Regulations (Cont'd)6.7.12 Mileage Measurement (Cont'd)

- (H) Switched Transport mileage for access minutes originating from or terminating at a remote switching system (RSS) or remote switching module (RSM) that shares an NXX with its host office will be based on the airline miles between the customer's serving wire center and the host office. Switched Transport mileage for access minutes originating from or terminating at an RSS or RSM that has its own NXX (i.e., different from the host's NXX) will be based on the airline miles between the customer's serving wire center and the RSS or RSM.
- (I) When terminating Feature Group C Switched Access Service is provided from multiple customer premises to an end office not equipped with measurement capabilities, the total Switched Transport access minutes for that end office will be apportioned among the trunk groups accessing the end office on the basis of the capacity ordered for each FGC trunk group. This apportionment will serve as the basis for Switched Transport mileage calculation and the customer will be billed accordingly.
- (J) When FGA calls terminate within the local calling area of the dial tone office, the Switched Transport mileage will be calculated on an airline basis between the customer's serving wire center and the dial tone office.
- (K) Switched transport mileage for Interim 500, TFC and 900 Access Service is based on the airline distance between the end office switch where the Interim 500, TFC or 900 Access Service traffic originates and the customer's serving wire center.

ISSUE DATE:
February 28, 2011

Issued Under Transmittal No. 1
Vice President-Regulatory Operations
100 CenturyLink Drive
Monroe, Louisiana 71203

EFFECTIVE DATE:
March 1, 2011

ACCESS SERVICE

6. Switched Access Service (Cont'd)

6.7 Rate Regulations (Cont'd)

6.7.12 Mileage Measurement (Cont'd)

(L) Reserved For Future

(M) Where Feature Groups A, B, C, and D Switched Access Services are connected with Special Access Service at a WATS Serving Office, the Telephone Company will measure mileage on an airline mileage basis between:

- (1) The WATS Serving Office and the Serving Wire Center for the customer designated premises, or
- (2) The Feature Group A or B entry switch and the Serving Wire Center for the customer designated premises.

ISSUE DATE:
February 28, 2011

Issued Under Transmittal No. 1
Vice President-Regulatory Operations
100 CenturyLink Drive
Monroe, Louisiana 71203

EFFECTIVE DATE:
March 1, 2011

ACCESS SERVICE

6. Switched Access Service (Cont'd)6.7 Rate Regulations (Cont'd)6.7.13 Shared Use

Shared use occurs when Switched Access Service and Special Access Service are provided over the same analog or digital high capacity facility through a common interface. The regulations governing the provision of Shared Use Facilities are set forth in 7.4.8 following. Switched Access rates and charges as set forth in 6.8 following will apply for each channel of the high capacity facility that is used to provide Switched Access Service.

6.7.14 Reserved For Future Use6.7.15 Interim 500 or 900 NXX in Multi-State LATAs

For customers ordering LATA-wide Interim 500 Access Service or 900 Access Service in LATAs that cross state boundaries but are served by the same screening office, the applicable nonrecurring charge for that screening office, as set forth in 6.8.5 and 6.8.6 following, will not be billed twice (i.e., once for each state); they will only be billed once for each NXX code activated or deactivated in that screening office.

ISSUE DATE:
February 28, 2011

Issued Under Transmittal No. 1
Vice President-Regulatory Operations
100 CenturyLink Drive
Monroe, Louisiana 71203

EFFECTIVE DATE:
March 1, 2011

ACCESS SERVICE

6. Switched Access Service (Cont'd)6.7 Rate Regulations (Cont'd)6.7.16 Facility Hubs

A customer has the option of ordering DS1 or DS3 facilities to a facility Hub for channelizing to individual services requiring lower capacity facilities.

Different locations may be designated as Hubs for different facility capacities, e.g., multiplexing from digital to digital may occur at one location while multiplexing from digital to voice may occur at a different location. When ordering, the customer must specify the desired multiplexing Hub(s) selected from the National Exchange Carrier Association, Inc. Tariff F.C.C. No. 4. This tariff identifies the type(s) of multiplexing functions which are available and the wire centers at which they are available.

Some of the types of multiplexing available include the following:

- from higher to lower bit rate
- from digital to voice frequency channels

End to end services may be provided on channels of these facilities to a Hub. The transmission performance for the end to end service provided between customer designated premises will be that of the lower capacity or bit rate. For example, when a DS1 facility is multiplexed to voice frequency channels, the transmission performance of the channelized services will be Voice Grade, not DS1.

The Telephone company will commence billing the monthly rate for the facility to the Hub on the date specified by the customer on the service order. Individual services utilizing these facilities may be installed coincident with the installation of the facility to the Hub, or may be ordered and/or installed at a

ISSUE DATE:
February 28, 2011

Issued Under Transmittal No. 1
Vice President-Regulatory Operations
100 CenturyLink Drive
Monroe, Louisiana 71203

EFFECTIVE DATE:
March 1, 2011

ACCESS SERVICE

6. Switched Access Service (Cont'd)6.7 Rates and Regulations (Cont'd)6.7.16 Facility Hubs (Cont'd)

later date, at the option of the customer. The customer will be billed for a DS1 or DS3 channel termination, channel mileage (when applicable), and multiplexing at the time the facility is installed. Individual service rates (by service type) will apply for a channel termination and additional channel mileage (as required) for each channelized service. These will be billed to the customer as each individual service is installed.

Cascading multiplexing occurs when a DS1 or DS3 facility is de-multiplexed to provide channels with a lesser capacity and one of the lesser capacity channels is further de-multiplexed. For example, a DS3 facility is de-multiplexed to twenty-eight DS1 facilities, and then one of the DS1 facilities is further de-multiplexed to individual Voice Grade channels.

When cascading multiplexing is performed, whether in the same or a different Hub, a charge for the additional multiplexing unit also applies. When cascading multiplexing is performed at different Hubbing locations, channel mileage charges also apply between the Hubs.

6.7.17 Switched Access Zone Density Plan

The Switched Access Zone Density Plan is applicable only to DS1 and DS3 (Entrance Facilities, Direct-Trunked Transport, Tandem Switched Transmission, Tandem Switching, DS1 to Voice Multiplexing and DS3 to DS1 Multiplexing as set forth in Section 6.1.2 preceding.

The Switched Access Zone Density Plan will become effective concurrent with the first operational Expanded Interconnection arrangement, as described in Section 17.1 following, in the relevant Telephone Company study area.

ISSUE DATE:
February 28, 2011

Issued Under Transmittal No. 1
Vice President-Regulatory Operations
100 CenturyLink Drive
Monroe, Louisiana 71203

EFFECTIVE DATE:
March 1, 2011

ACCESS SERVICE

6. Switched Access Service (Cont'd)6.7 Rate Regulations (Cont'd)6.7.17 Switched Access Zone Density Plan (Cont'd)

The Entrance Facility, Direct-Trunked Transport, Tandem Switched Transmission, Tandem Switching, DS1 to Voice Multiplexing and DS3 to DS1 Multiplexing rates applicable for DS1 and DS3 services subject to the Zone Density Plan are dependent upon the zone in which the Telephone Company serving area is located. Direct-Trunked Transport and Tandem Switched Transmission provided between wire centers in different zones will be assessed the rate for the higher zone. Specific Zone Density Charges are set forth in Sections 6.8 and 21.8 following. The zones for each Telephone Company serving area are identified following:

ISSUE DATE:
February 28, 2011

Issued Under Transmittal No. 1
Vice President-Regulatory Operations
100 CenturyLink Drive
Monroe, Louisiana 71203

EFFECTIVE DATE:
March 1, 2011

ACCESS SERVICE

6. Switched Access Service (Cont'd)6.7 Rate Regulations (Cont'd)6.7.17 Switched Access Zone Density Plan (Cont'd)**FLORIDA**

<u>Zone 1</u>		<u>Zone 2</u>		<u>Zone 3</u>	
<u>End Office</u>	<u>CLLI</u>	<u>End Office</u>	<u>CLLI</u>	<u>End Office</u>	<u>CLLI</u>
Altamonte Springs	ALSPFLXA	Apopka	APPKFLXA	All Other	All Other
Avon Park	AVPKFLXA	Cape Coral	CPCRFLXA		
Kissimmee	KSSMFLXA	Cypress Lake	CYLKFLXA		
Maitland	MTLDFLXA	Destin	DESTFLXA		
South Fort Myers	FTMYFLXC	Fort Myers	FTMYFLXA		
Winter Park	WNPKFLXA	Fort Walton Beach	FTWBFLXA		
		Goldenrod	GLRDFLXA		
		Lake Brantley	LKBRFLXA		
		Leesburg	LSBGFLXA		
		Naples Moorings	NPLSFLXD		
		North Naples	NNPLFLXA		
		Ocala	OCALFLXA		
		Port Charlotte	PTCTFLXA		
		Shady Road	OCALFLXB		
		Tallahassee	TLHSFLXA		
		Tallahassee	TLHSFLXB		
		Tallahassee	TLHSFLXC		
		Tallahassee	TLHSFLXD		
		Tallahassee	TLHSFLXF		
		West Kissimmee	KSSMFLXB		
		Winter Garden	WNGRFLXA		

ISSUE DATE:
February 28, 2011

Issued Under Transmittal No. 1
Vice President-Regulatory Operations
100 CenturyLink Drive
Monroe, Louisiana 71203

EFFECTIVE DATE:
March 1, 2011

ACCESS SERVICE

6. Switched Access Service (Cont'd)

6.7 Rate Regulations (Cont'd)

6.7.17 Switched Access Zone Density Plan (Cont'd)

This page is reserved for future use

(N)

(D)

(D)

Material deleted from this page now appears in Brightspeed Local Operating Companies Tariff F.C.C. NO. 9.

(N)

(N)

ISSUE DATE:
September 19, 2022

Issued Under Transmittal No. 125
Vice President-Regulatory Operations
100 CenturyLink Drive
Monroe, Louisiana 71203

EFFECTIVE DATE:
October 4, 2022

ACCESS SERVICE

- 6. Switched Access Service (Cont'd)
- 6.7 Rate Regulations (Cont'd)
- 6.7.17 Switched Access Zone Density Plan (Cont'd)

(D)
 (D)
 (D)

MINNESOTA

<u>Zone 1</u>		<u>Zone 2</u>	
<u>End Office</u>	<u>CLLI</u>	<u>End Office</u>	<u>CLLI</u>
None	None	None	None

<u>Zone 3</u>		<u>Zone 4</u>	
<u>End Office</u>	<u>CLLI</u>	<u>End Office</u>	<u>CLLI</u>
Chaska	CHSKMNXC	All Other	All Other
Maple Grove	MPGVMNXA		
Osseo	OSSEMNXO		

Material deleted from this page now appears in Brightspeed Local Operating Companies Tariff F.C.C. NO. 9.

(N)
 (N)

ISSUE DATE:
 September 19, 2022

Issued Under Transmittal No. 125
 Vice President-Regulatory Operations
 100 CenturyLink Drive
 Monroe, Louisiana 71203

EFFECTIVE DATE:
 October 4, 2022

ACCESS SERVICE

6. Switched Access Service (Cont'd)

6.7 Rate Regulations (Cont'd)

6.7.17 Switched Access Zone Density Plan (Cont'd)

This page is reserved for future.

(N)

(D)

(D)

Material deleted from this page now appears in Brightspeed Local Operating Companies Tariff F.C.C. NO. 9.

(N)

(N)

ISSUE DATE:
September 19, 2022

Issued Under Transmittal No. 125
Vice President-Regulatory Operations
100 CenturyLink Drive
Monroe, Louisiana 71203

EFFECTIVE DATE:
October 4, 2022

ACCESS SERVICE

6. Switched Access Service (Cont'd)6.7 Rate Regulations (Cont'd)6.7.17 Switched Access Zone Density Plan (Cont'd)**NEBRASKA**

<u>Zone 1</u>		<u>Zone 2</u>	
<u>End Office</u>	<u>CLLI</u>	<u>End Office</u>	<u>CLLI</u>
None	None	None	None
<u>Zone 3</u>		<u>Zone 4</u>	
<u>End Office</u>	<u>CLLI</u>	<u>End Office</u>	<u>CLLI</u>
Scottsbluff	SCTSNEXU	All Other	All Other

NEVADA

<u>Zone 1</u>		<u>Zone 2</u>		<u>Zone 3</u>	
<u>End Office</u>	<u>CLLI</u>	<u>End Office</u>	<u>CLLI</u>	<u>End Office</u>	<u>CLLI</u>
Las Vegas Main	LSVGNVXB	Las Vegas West 8	LSVGNVXH	All Other	All Other
Las Vegas South 5	LSVGNVXG	Las Vegas East 2	LSVGNVXI		
Las Vegas South 6	LSVGNVXL	Las Vegas East 1	LSVGNVXR		
Las Vegas West 6	LSVGNVXK	Las Vegas North 5	LSVGNVXU		
Las Vegas East 7	LSVGNVXM	N. Las Vegas North 2	NLVGNVXF		
Las Vegas South South	LSVGNVXV				
Las Vegas West West	LSVGNVXW				

ISSUE DATE:
February 28, 2011

Issued Under Transmittal No. 1
Vice President-Regulatory Operations
100 CenturyLink Drive
Monroe, Louisiana 71203

EFFECTIVE DATE:
March 1, 2011

ACCESS SERVICE

6. Switched Access Service (Cont'd)

6.7 Rate Regulations (Cont'd)

6.7.17 Switched Access Zone Density Plan (Cont'd)

This page is reserved for future use.

(N)

(D)

(D)

Material deleted from this page now appears in Brightspeed Local Operating Companies Tariff F.C.C. NO. 9.

(N)

(N)

ISSUE DATE:
September 19, 2022

Issued Under Transmittal No. 125
Vice President-Regulatory Operations
100 CenturyLink Drive
Monroe, Louisiana 71203

EFFECTIVE DATE:
October 4, 2022

ACCESS SERVICE

6. Switched Access Service (Cont'd)

6.7 Rate Regulations (Cont'd)

6.7.17 Switched Access Zone Density Plan (Cont'd)

This page is reserved for future use.

(N)

(D)

(D)

Material deleted from this page now appears in Brightspeed Local Operating Companies Tariff F.C.C. NO. 9.

(N)

(N)

ISSUE DATE:
September 19, 2022

Issued Under Transmittal No. 125
Vice President-Regulatory Operations
100 CenturyLink Drive
Monroe, Louisiana 71203

EFFECTIVE DATE:
October 4, 2022

ACCESS SERVICE

6. Switched Access Service (Cont'd)

6.7 Rate Regulations (Cont'd)

6.7.17 Switched Access Zone Density Plan (Cont'd)

This page is reserved for future use.

(N)

(D)

(D)

Material deleted from this page now appears in Brightspeed Local Operating Companies Tariff F.C.C. NO. 9.

(N)

(N)

ISSUE DATE:
September 19, 2022

Issued Under Transmittal No. 125
Vice President-Regulatory Operations
100 CenturyLink Drive
Monroe, Louisiana 71203

EFFECTIVE DATE:
October 4, 2022

ACCESS SERVICE

6. Switched Access Service (Cont'd)

6.7 Rate Regulations (Cont'd)

6.7.17 Switched Access Zone Density Plan (Cont'd)

This page is reserved for future use.

(N)

(D)

(D)

**Material deleted from this page now appears in Brightspeed Local Operating Companies Tariff
F.C.C. NO. 9.**

(N)

(N)

ISSUE DATE:
September 19, 2022

Issued Under Transmittal No. 125
Vice President-Regulatory Operations
100 CenturyLink Drive
Monroe, Louisiana 71203

EFFECTIVE DATE:
October 4, 2022

ACCESS SERVICE

6. Switched Access Service (Cont'd)

6.7 Rate Regulations (Cont'd)

6.7.17 Switched Access Zone Density Plan (Cont'd)

This page is reserved for future use.

(N)

(D)

(D)

Material deleted from this page now appears in Brightspeed Local Operating Companies Tariff F.C.C. NO. 9.

(N)

(N)

ISSUE DATE:
September 19, 2022

Issued Under Transmittal No. 125
Vice President-Regulatory Operations
100 CenturyLink Drive
Monroe, Louisiana 71203

EFFECTIVE DATE:
October 4, 2022

ACCESS SERVICE

- 6. Switched Access Service (Cont'd)
- 6.7 Rate Regulations (Cont'd)
- 6.7.17 Switched Access Zone Density Plan (Cont'd)

(D)

 (D)

WASHINGTON

Zone 1		Zone 2	
<u>End Office</u>	<u>CLLI</u>	<u>End Office</u>	<u>CLLI</u>
Poulsbo	PLSBWAXX	All Other	All Other
Sunnyside	SNSDWAXX		

WYOMING

Zone 1		Zone 2	
<u>End Office</u>	<u>CLLI</u>	<u>End Office</u>	<u>CLLI</u>
None	None	None	None

Zone 3		Zone 4	
<u>End Office</u>	<u>CLLI</u>	<u>End Office</u>	<u>CLLI</u>
None	None	All Other	All Other

Material deleted from this page now appears in Brightspeed Local Operating Companies Tariff F.C.C. NO. 9.

(N)
 (N)

ISSUE DATE: September 19, 2022	Issued Under Transmittal No. 125 Vice President-Regulatory Operations 100 CenturyLink Drive Monroe, Louisiana 71203	EFFECTIVE DATE: October 4, 2022
-----------------------------------	--	------------------------------------

ACCESS SERVICE

6. Switched Access Service (Cont'd)

6.8 Rates and Charges (Cont'd)

6.8.1 Reserved for Future Use

6.8.2 Switched Transport

(A) Entrance Facilities

(1) Voice Grade

- Per Point of Termination

- Two Wire

	<u>Monthly Rates</u>	<u>Nonrecurring Charges</u>	
Florida	\$75.00	\$150.00	(D)
Minnesota	\$50.00	\$200.00	(D)
Nebraska	\$50.00	\$200.00	(D)
Oregon	\$67.00	\$150.00	(D)
Washington	\$67.00	\$150.00	(D)
Wyoming	\$50.00	\$200.00	(D)

Material deleted from this page now appears in Brightspeed Local Operating Companies Tariff F.C.C. NO. 9. (N)
(N)

ISSUE DATE:
September 19, 2022

Issued Under Transmittal No. 125
 Vice President-Regulatory Operations
 100 CenturyLink Drive
 Monroe, Louisiana 71203

EFFECTIVE DATE:
October 4, 2022

ACCESS SERVICE

6. Switched Access Service (Cont'd)

6.8 Rates and Charges (Cont'd)

6.8.2 Switched Transport (Cont'd)

(A) Entrance Facilities (Cont'd)

(1) Voice Grade (Cont'd)

- Per Point of Termination

- Four Wire

	<u>Monthly Rates</u>	<u>Nonrecurring Charges</u>	
Florida	\$97.25	\$150.00	(D)
			(D)
Minnesota	\$84.00	\$200.00	
Nebraska	\$84.00	\$200.00	(D)
			(D)
Oregon	\$92.00	\$150.00	(D)
			(D)
Washington	\$92.00	\$150.00	
Wyoming	\$84.00	\$200.00	(D)

Material deleted from this page now appears in Brightspeed Local Operating Companies Tariff F.C.C. NO. 9.

(D)
(N)
(N)

ISSUE DATE:
September 19, 2022

Issued Under Transmittal No. 125
 Vice President-Regulatory Operations
 100 CenturyLink Drive
 Monroe, Louisiana 71203

EFFECTIVE DATE:
October 4, 2022

ACCESS SERVICE

6. Switched Access Service (Cont'd)

6.8 Rates and Charges (Cont'd)

6.8.2 Switched Transport (Cont'd)

(A) Entrance Facilities (Cont'd)

(2) DS1

- Per DS1

	Monthly Rates			Nonrecurring Installation Charge	
	Within <u>CO</u>	0 – 3 <u>Miles</u>	Over 3 <u>Miles</u>		
<u>Zone 1</u>					
Florida	\$99.00	\$99.00	\$99.00	\$360.00	(D)
Minnesota	\$88.35	\$88.35	\$88.35	\$340.00	(D)
Nebraska	\$88.35	\$88.35	\$88.35	\$340.00	(D)
Oregon	\$140.00	\$140.00	\$140.00	\$550.00	(D)
Washington	\$140.00	\$140.00	\$140.00	\$550.00	(D)
Wyoming	\$88.35	\$88.35	\$88.35	\$340.00	(D)

Material deleted from this page now appears in Brightspeed Local Operating Companies Tariff F.C.C. NO. 9. (D)
 (N)
 (N)

ACCESS SERVICE

6. Switched Access Service (Cont'd)

6.8 Rates and Charges (Cont'd)

6.8.2 Switched Transport (Cont'd)

(A) Entrance Facilities (Cont'd)

(2) DS1 (Cont'd)

- Per DS1

	Monthly Rates			Nonrecurring Installation Charge	
	Within <u>CO</u>	0 – 3 <u>Miles</u>	Over 3 <u>Miles</u>		
<u>Zone 2</u> Florida	\$115.00	\$115.00	\$115.00	\$360.00	(D)
Minnesota	\$92.77	\$92.77	\$92.77	\$340.00	(D)
Nebraska	\$92.77	\$92.77	\$92.77	\$340.00	(D)
Oregon	\$160.00	\$160.00	\$160.00	\$550.00	(D)
Washington	\$160.00	\$160.00	\$160.00	\$550.00	(D)
Wyoming	\$92.77	\$92.77	\$92.77	\$340.00	(D)

Material deleted from this page now appears in Brightspeed Local Operating Companies Tariff F.C.C. NO. 9. (D)
 (N)
 (N)

ISSUE DATE:
 September 19, 2022

Issued Under Transmittal No. 125
 Vice President-Regulatory Operations
 100 CenturyLink Drive
 Monroe, Louisiana 71203

EFFECTIVE DATE:
 October 4, 2022

ACCESS SERVICE

6. Switched Access Service (Cont'd)

6.8 Rates and Charges (Cont'd)

6.8.2 Switched Transport (Cont'd)

(A) Entrance Facilities (Cont'd)

(2) DS1 (Cont'd)

- Per DS1

	Monthly Rates			Nonrecurring Installation Charge	
	Within CO	0 – 3 Miles	Over 3 Miles		
<u>Zone 3</u>					
Florida	\$130.00	\$130.00	\$130.00	\$360.00	(D)
Minnesota	\$98.33	\$98.33	\$98.33	\$340.00	(D)
Nebraska	\$98.33	\$98.33	\$98.33	\$340.00	(D)
Oregon	N/A	N/A	N/A	N/A	(D)
Washington	N/A	N/A	N/A	N/A	(D)
Wyoming	\$98.33	\$98.33	\$98.33	\$340.00	(D)

Material deleted from this page now appears in Brightspeed Local Operating Companies Tariff F.C.C. NO. 9.

ISSUE DATE:
September 19, 2022

Issued Under Transmittal No. 125
 Vice President-Regulatory Operations
 100 CenturyLink Drive
 Monroe, Louisiana 71203

EFFECTIVE DATE:
October 4, 2022

(D)
(N)
(N)

ACCESS SERVICE

6. Switched Access Service (Cont'd)

6.8 Rates and Charges (Cont'd)

6.8.2 Switched Transport (Cont'd)

(A) Entrance Facilities (Cont'd)

(2) DS1 (Cont'd)

- Per DS1

	Monthly Rates			Nonrecurring Installation Charge	
	Within <u>CO</u>	0 – 3 <u>Miles</u>	Over 3 <u>Miles</u>		
<u>Zone 4</u>					
Minnesota	\$106.20	\$106.20	\$106.20	\$340.00	(D)
Nebraska	\$106.20	\$106.20	\$106.20	\$340.00	(D)
Wyoming	\$106.20	\$106.20	\$106.20	\$340.00	(D)

(D)

Material deleted from this page now appears in Brightspeed Local Operating Companies Tariff F.C.C. NO. 9.

(N)

(N)

ISSUE DATE:
September 19, 2022

Issued Under Transmittal No. 125
 Vice President-Regulatory Operations
 100 CenturyLink Drive
 Monroe, Louisiana 71203

EFFECTIVE DATE:
October 4, 2022

ACCESS SERVICE

6. Switched Access Service (Cont'd)

6.8 Rates and Charges (Cont'd)

6.8.2 Switched Transport (Cont'd)

(A) Entrance Facilities (Cont'd)

(3) DS3

- Per Point of Termination

	Monthly Rates			Nonrecurring Installation Charge	Nonrecurring Rearrangement Charge	
	Within CO	0 – 3 Miles	Over 3 Miles			
<u>Zone 1</u>						
Florida	\$480.00	\$800.00	\$1,250.00	\$400.00	\$200.00	(D)
Minnesota	\$628.62	\$853.10	\$1,347.01	\$400.00	\$200.00	(D)
Nebraska	\$628.62	\$853.10	\$1,347.01	\$400.00	\$200.00	(D)
Oregon	\$1,025.00	\$1,300.00	\$1,900.00	\$550.00	\$275.00	(D)
Washington	\$1,025.00	\$1,300.00	\$1,900.00	\$550.00	\$275.00	(D)
Wyoming	\$628.62	\$853.10	\$1,347.01	\$400.00	\$200.00	(D)

Material deleted from this page now appears in Brightspeed Local Operating Companies Tariff F.C.C. NO. 9.

ISSUE DATE:
September 19, 2022

Issued Under Transmittal No. 125
Vice President-Regulatory Operations
100 CenturyLink Drive
Monroe, Louisiana 71203

EFFECTIVE DATE:
October 4, 2022

(D)
(N)
(N)

ACCESS SERVICE

6. Switched Access Service (Cont'd)

6.8 Rates and Charges (Cont'd)

6.8.2 Switched Transport (Cont'd)

(A) Entrance Facilities (Cont'd)

(3) DS3 (Cont'd)

- Per Point of Termination

	Monthly Rates			Nonrecurring Installation Charge	Nonrecurring Rearrangement Charge	
	Within CO	0 – 3 Miles	Over 3 Miles			
<u>Zone 2</u>						
Florida	\$500.00	\$820.00	\$1,275.00	\$400.00	\$200.00	(D)
Minnesota	\$686.00	\$930.00	\$1,468.00	\$400.00	\$200.00	(D)
Nebraska	\$686.00	\$930.00	\$1,468.00	\$400.00	\$200.00	(D)
Oregon	\$1,180.00	\$1,430.00	\$2,090.00	\$550.00	\$275.00	(D)
Washington	\$1,180.00	\$1,430.00	\$2,090.00	\$550.00	\$275.00	(D)
Wyoming	\$686.00	\$930.00	\$1,468.00	\$400.00	\$200.00	(D)

Material deleted from this page now appears in Brightspeed Local Operating Companies Tariff F.C.C. NO. 9.

ISSUE DATE:
 September 19, 2022

Issued Under Transmittal No. 125
 Vice President-Regulatory Operations
 100 CenturyLink Drive
 Monroe, Louisiana 71203

EFFECTIVE DATE:
 October 4, 2022

(D)
 (N)
 (N)

ACCESS SERVICE

6. Switched Access Service (Cont'd)6.8 Rates and Charges (Cont'd)6.8.2 Switched Transport (Cont'd)(A) Entrance Facilities (Cont'd)(3) DS3 (Cont'd)

- Per Point of Termination

	<u>Monthly Rates</u>			<u>Nonrecurring Installation Charge</u>	<u>Nonrecurring Rearrangement Charge</u>	
	<u>Within CO</u>	<u>0 – 3 Miles</u>	<u>Over 3 Miles</u>			
<u>Zone 3</u>						
Florida	\$520.00	\$840.30	\$1,330.00	\$400.00	\$200.00	(D)
Minnesota	\$741.00	\$1,004.00	\$1,585.00	\$400.00	\$200.00	(D)
Nebraska	\$741.00	\$1,004.00	\$1,585.00	\$400.00	\$200.00	(D)
Oregon	N/A	N/A	N/A	N/A	N/A	(D)
Washington	N/A	N/A	N/A	N/A	N/A	(D)
Wyoming	\$741.00	\$1,004.00	\$1,585.00	\$400.00	\$200.00	(D)

Material deleted from this page now appears in Brightspeed Local Operating Companies Tariff
F.C.C. NO. 9.ISSUE DATE:
September 19, 2022Issued Under Transmittal No. 125
Vice President-Regulatory Operations
100 CenturyLink Drive
Monroe, Louisiana 71203EFFECTIVE DATE:
October 4, 2022

ACCESS SERVICE

6. Switched Access Service (Cont'd)6.8 Rates and Charges (Cont'd)6.8.2 Switched Transport (Cont'd)(A) Entrance Facilities (Cont'd)(3) DS3 (Cont'd)

- Per Point of Termination

	Monthly Rates			Nonrecurring Installation Charge	Nonrecurring Rearrangement Charge	
	Within CO	0 – 3 Miles	Over 3 Miles			
<u>Zone 4</u>						
Minnesota	\$785.00	\$1,064.00	\$1,680.00	\$400.00	\$200.00	(D)
Nebraska	\$785.00	\$1,064.00	\$1,680.00	\$400.00	\$200.00	(D)
Wyoming	\$785.00	\$1,064.00	\$1,680.00	\$400.00	\$200.00	(D)

Material deleted from this page now appears in Brightspeed Local Operating Companies Tariff
F.C.C. NO. 9.

(N)
(N)

ISSUE DATE:
September 19, 2022

Issued Under Transmittal No. 125
Vice President-Regulatory Operations
100 CenturyLink Drive
Monroe, Louisiana 71203

EFFECTIVE DATE:
October 4, 2022

ACCESS SERVICE

6. Switched Access Service (Cont'd)

6.8 Rates and Charges (Cont'd)

6.8.2 Switched Transport (Cont'd)

(B) Direct-Trunked Transport

(1) Voice Grade

- Per Channel

	Monthly Rates		
	<u>Fixed</u>	<u>Per Mile</u>	
Florida	\$45.00	\$2.23	(D)
Minnesota	\$24.00	\$0.30	(D)
Nebraska	\$24.00	\$0.30	(D)
Oregon	\$48.00	\$1.20	(D)
Washington	\$48.00	\$1.20	(D)
Wyoming	\$24.00	\$0.30	(D)

Material deleted from this page now appears in Brightspeed Local Operating Companies Tariff F.C.C. NO. 9. (N)
 (N)

ISSUE DATE:
 September 19, 2022

Issued Under Transmittal No. 125
 Vice President-Regulatory Operations
 100 CenturyLink Drive
 Monroe, Louisiana 71203

EFFECTIVE DATE:
 October 4, 2022

ACCESS SERVICE

6. Switched Access Service (Cont'd)

6.8 Rates and Charges (Cont'd)

6.8.2 Switched Transport (Cont'd)

(B) Direct-Trunked Transport

(2) DS1

- Per DS1

	Monthly Rates		
	<u>Fixed</u>	<u>Per Mile</u>	
<u>Zone 1</u>			
Florida	\$48.00	\$4.00	(D)
			(D)
Minnesota	\$47.50	\$2.14	(D)
Nebraska	\$47.50	\$2.14	(D)
			(D)
Oregon	\$90.00	\$3.35	(D)
			(D)
Washington	\$90.00	\$3.35	(D)
Wyoming	\$47.50	\$2.14	(D)

Material deleted from this page now appears in Brightspeed Local Operating Companies Tariff F.C.C. NO. 9.

(D)
(N)
(N)

ISSUE DATE:
September 19, 2022

Issued Under Transmittal No. 125
 Vice President-Regulatory Operations
 100 CenturyLink Drive
 Monroe, Louisiana 71203

EFFECTIVE DATE:
October 4, 2022

ACCESS SERVICE

6. Switched Access Service (Cont'd)

6.8 Rates and Charges (Cont'd)

6.8.2 Switched Transport (Cont'd)

(B) Direct-Trunked Transport (Cont'd)

(2) DS1 (Cont'd)

- Per DS1

	Monthly Rates	
	<u>Fixed</u>	<u>Per Mile</u>
<u>Zone 2</u>		
Florida	\$50.00	\$4.35
Minnesota	\$49.88	\$2.24
Nebraska	\$49.88	\$2.24
Oregon	\$100.00	\$3.75
Washington	\$100.00	\$3.75
Wyoming	\$49.88	\$2.24

(D)
 (D)
 (D)
 (D)
 (D)
 (D)
 (D)

(D)

Material deleted from this page now appears in Brightspeed Local Operating Companies Tariff F.C.C. NO. 9.

(N)
 (N)

ISSUE DATE:
 September 19, 2022

Issued Under Transmittal No. 125
 Vice President-Regulatory Operations
 100 CenturyLink Drive
 Monroe, Louisiana 71203

EFFECTIVE DATE:
 October 4, 2022

ACCESS SERVICE

6. Switched Access Service (Cont'd)

6.8 Rates and Charges (Cont'd)

6.8.2 Switched Transport (Cont'd)

(B) Direct-Trunked Transport (Cont'd)

(2) DS1 (Cont'd)

- Per DS1

	Monthly Rates	
	<u>Fixed</u>	<u>Per Mile</u>
<u>Zone 3</u>		
Florida	\$54.00	\$4.75
Minnesota	\$52.87	\$2.38
Nebraska	\$52.87	\$2.38
Oregon	N/A	N/A
Washington	N/A	N/A
Wyoming	\$52.87	\$2.38

(D)
 (D)
 (D)
 (D)
 (D)
 (D)
 (D)

Material deleted from this page now appears in Brightspeed Local Operating Companies Tariff F.C.C. NO. 9.

(D)
 (N)
 (N)

ISSUE DATE:
 September 19, 2022

Issued Under Transmittal No. 125
 Vice President-Regulatory Operations
 100 CenturyLink Drive
 Monroe, Louisiana 71203

EFFECTIVE DATE:
 October 4, 2022

ACCESS SERVICE

6. Switched Access Service (Cont'd)

6.8 Rates and Charges (Cont'd)

6.8.2 Switched Transport (Cont'd)

(B) Direct-Trunked Transport (Cont'd)

(2) DS1 (Cont'd)

- Per DS1

	Monthly Rates		
	<u>Fixed</u>	<u>Per Mile</u>	
<u>Zone 4</u>			
Minnesota	\$57.10	\$2.57	(D)
Nebraska	\$57.10	\$2.57	(D)
Wyoming	\$57.10	\$2.57	(D)

(D)

Material deleted from this page now appears in Brightspeed Local Operating Companies Tariff F.C.C. NO. 9. (N)
 (N)

ISSUE DATE:
 September 19, 2022

Issued Under Transmittal No. 125
 Vice President-Regulatory Operations
 100 CenturyLink Drive
 Monroe, Louisiana 71203

EFFECTIVE DATE:
 October 4, 2022

ACCESS SERVICE

6. Switched Access Service (Cont'd)

6.8 Rates and Charges (Cont'd)

6.8.2 Switched Transport (Cont'd)

(B) Direct-Trunked Transport (Cont'd)

(3) DS3

- Per DS3

	Monthly Rates	
	<u>Fixed</u>	<u>Per Mile</u>
<u>Zone 1</u>		
Florida	\$460.00	\$60.00
Minnesota	\$502.27	\$38.00
Nebraska	\$502.27	\$38.00
Oregon	\$500.00	\$38.00
Washington	\$500.00	\$38.00
Wyoming	\$502.27	\$38.00

(D)
 (D)
 (D)
 (D)
 (D)
 (D)
 (D)

Material deleted from this page now appears in Brightspeed Local Operating Companies Tariff F.C.C. NO. 9.

(D)
 (N)
 (N)

ISSUE DATE:
 September 19, 2022

Issued Under Transmittal No. 125
 Vice President-Regulatory Operations
 100 CenturyLink Drive
 Monroe, Louisiana 71203

EFFECTIVE DATE:
 October 4, 2022

ACCESS SERVICE

6. Switched Access Service (Cont'd)

6.8 Rates and Charges (Cont'd)

6.8.2 Switched Transport (Cont'd)

(B) Direct-Trunked Transport (Cont'd)

(3) DS3 (Cont'd)

- Per DS3

	Monthly Rates	
	<u>Fixed</u>	<u>Per Mile</u>
<u>Zone 2</u>		
Florida	\$480.00	\$80.00
Minnesota	\$547.00	\$41.00
Nebraska	\$547.00	\$41.00
Oregon	\$560.00	\$55.50
Washington	\$560.00	\$55.50
Wyoming	\$547.00	\$41.00

(D)
 (D)
 (D)
 (D)
 (D)
 (D)
 (D)

Material deleted from this page now appears in Brightspeed Local Operating Companies Tariff F.C.C. NO. 9.

(D)
 (N)
 (N)

ISSUE DATE:
 September 19, 2022

Issued Under Transmittal No. 125
 Vice President-Regulatory Operations
 100 CenturyLink Drive
 Monroe, Louisiana 71203

EFFECTIVE DATE:
 October 4, 2022

ACCESS SERVICE

6. Switched Access Service (Cont'd)

6.8 Rates and Charges (Cont'd)

6.8.2 Switched Transport (Cont'd)

(B) Direct-Trunked Transport (Cont'd)

(3) DS3 (Cont'd)

- Per DS3

	Monthly Rates	
	<u>Fixed</u>	<u>Per Mile</u>
<u>Zone 3</u>		
Florida	\$500.00	\$90.00
Minnesota	\$591.00	\$44.00
Nebraska	\$591.00	\$44.00
Oregon	N/A	N/A
Washington	N/A	N/A
Wyoming	\$591.00	\$44.00

(D)
 (D)
 (D)
 (D)
 (D)
 (D)
 (D)

Material deleted from this page now appears in Brightspeed Local Operating Companies Tariff F.C.C. NO. 9.

(D)
 (N)
 (N)

ISSUE DATE:
 September 19, 2022

Issued Under Transmittal No. 125
 Vice President-Regulatory Operations
 100 CenturyLink Drive
 Monroe, Louisiana 71203

EFFECTIVE DATE:
 October 4, 2022

ACCESS SERVICE

6. Switched Access Service (Cont'd)

6.8 Rates and Charges (Cont'd)

6.8.2 Switched Transport (Cont'd)

(B) Direct-Trunked Transport (Cont'd)

(3) DS3 (Cont'd)

- Per DS3

	Monthly Rates		
	<u>Fixed</u>	<u>Per Mile</u>	
<u>Zone 4</u>			
Minnesota	\$626.00	\$47.00	(D)
Nebraska	\$626.00	\$47.00	(D)
Wyoming	\$626.00	\$47.00	(D)

(D)

Material deleted from this page now appears in Brightspeed Local Operating Companies Tariff F.C.C. NO. 9. (N)
 (N)

ISSUE DATE:
 September 19, 2022

Issued Under Transmittal No. 125
 Vice President-Regulatory Operations
 100 CenturyLink Drive
 Monroe, Louisiana 71203

EFFECTIVE DATE:
 October 4, 2022

ACCESS SERVICE

6. Switched Access Service (Cont'd)

6.8 Rates and Charges (Cont'd)

6.8.2 Switched Transport (Cont'd)

(C) Tandem Switched Transport

(1) Tandem Switched Transmission

Termination Per Access Minute Fixed

	<u>Originating</u>	<u>Terminating</u>	
	<u>Non-Toll Free</u> *	<u>3rd Party</u>	<u>End Office</u>
<u>Zone 1</u>			
Florida	\$0.000365	\$0.000365	\$0.000000
Minnesota	\$0.000218	\$0.000218	\$0.000000
Nebraska	\$0.000218	\$0.000218	\$0.000000
Nevada	\$0.000324	\$0.000324	\$0.000000
Oregon	\$0.000225	\$0.000225	\$0.000000
Washington	\$0.000225	\$0.000225	\$0.000000
Wyoming	\$0.000218	\$0.000218	\$0.000000

(D)
 (D)
 (D)
 (D)
 (D)
 (D)
 (D)
 (D)

* Effective July 1, 2021, pursuant to FCC 20-143, separate rate elements for Toll Free and Non-Toll Free originating transport services were established. The Non-Toll Free originating element is displayed above. The Toll Free rate element for originating transport services is displayed as 8YY Joint Tandem Switched Transport in Section 6.8.2(C)(4), following.

(D)

Material deleted from this page now appears in Brightspeed Local Operating Companies Tariff F.C.C. NO. 9.

(N)
 (N)

ISSUE DATE:
 September 19, 2022

Issued Under Transmittal No. 125
 Vice President-Regulatory Operations
 100 CenturyLink Drive
 Monroe, Louisiana 71203

EFFECTIVE DATE:
 October 4, 2022

ACCESS SERVICE

6. Switched Access Service (Cont'd)

6.8 Rates and Charges (Cont'd)

6.8.2 Switched Transport (Cont'd)

(C) Tandem Switched Transport (Cont'd)

(1) Tandem Switched Transmission (Cont'd)

Facility Per Access Minute Per Mile

	<u>Originating</u>	<u>Terminating</u>	
	<u>Non-Toll Free</u>	<u>3rd Party</u>	<u>End Office</u>
	*		
<u>Zone 1</u>			
Florida	\$0.000035	\$0.000035	\$0.000000
Minnesota	\$0.000020	\$0.000020	\$0.000000
Nebraska	\$0.000020	\$0.000020	\$0.000000
Nevada	\$0.000015	\$0.000015	\$0.000000
Oregon	\$0.000025	\$0.000025	\$0.000000
Washington	\$0.000025	\$0.000025	\$0.000000
Wyoming	\$0.000020	\$0.000020	\$0.000000

(D)
 (D)
 (D)
 (D)
 (D)
 (D)
 (D)
 (D)

* Effective July 1, 2021, pursuant to FCC 20-143, separate rate elements for Toll Free and Non-Toll Free originating transport services were established. The Non-Toll Free originating element is displayed above. The Toll Free rate element for originating transport services is displayed as 8YY Joint Tandem Switched Transport in Section 6.8.2(C)(4), following.

(D)

Material deleted from this page now appears in Brightspeed Local Operating Companies Tariff F.C.C. NO. 9.

(N)
 (N)

ISSUE DATE:
 September 19, 2022

Issued Under Transmittal No. 125
 Vice President-Regulatory Operations
 100 CenturyLink Drive
 Monroe, Louisiana 71203

EFFECTIVE DATE:
 October 4, 2022

ACCESS SERVICE

6. Switched Access Service (Cont'd)6.8 Rates and Charges (Cont'd)6.8.2 Switched Transport (Cont'd)(C) Tandem Switched Transport (Cont'd)(1) Tandem Switched Transmission (Cont'd)

Termination Per Access Minute Fixed

	<u>Originating</u> <u>Non-Toll Free</u> *	<u>Terminating</u>	
		<u>3rd Party</u>	<u>End</u> <u>Office</u>
<u>Zone 2</u>			
Florida	\$0.000438	\$0.000438	\$0.000000
Minnesota	\$0.000235	\$0.000235	\$0.000000
Nebraska	\$0.000235	\$0.000235	\$0.000000
Nevada	\$0.000333	\$0.000333	\$0.000000
Oregon	\$0.000255	\$0.000255	\$0.000000
Washington	\$0.000255	\$0.000255	\$0.000000
Wyoming	\$0.000235	\$0.000235	\$0.000000

* Effective July 1, 2021, pursuant to FCC 20-143, separate rate elements for Toll Free and Non-Toll Free originating transport services were established. The Non-Toll Free originating element is displayed above. The Toll Free rate element for originating transport services is displayed as 8YY Joint Tandem Switched Transport in Section 6.8.2(C)(4), following.

Material deleted from this page now appears in Brightspeed Local Operating Companies Tariff F.C.C. NO. 9.

ISSUE DATE:
September 19, 2022

Issued Under Transmittal No. 125
Vice President-Regulatory Operations
100 CenturyLink Drive
Monroe, Louisiana 71203

EFFECTIVE DATE:
October 4, 2022

(D)
(D)
(D)
(D)
(D)
(D)
(D)
(D)

(D)
(N)
(N)

ACCESS SERVICE

6. Switched Access Service (Cont'd)

6.8 Rates and Charges (Cont'd)

6.8.2 Switched Transport (Cont'd)

(C) Tandem Switched Transport (Cont'd)

(1) Tandem Switched Transmission (Cont'd)

Facility Per Access Minute Per Mile

	<u>Originating</u>	<u>Terminating</u>	
	<u>Non-Toll Free</u> *	<u>3rd Party</u>	<u>End Office</u>
<u>Zone 2</u>			
Florida	\$0.000055	\$0.000055	\$0.000000
Minnesota	\$0.000021	\$0.000021	\$0.000000
Nebraska	\$0.000021	\$0.000021	\$0.000000
Nevada	\$0.000017	\$0.000017	\$0.000000
Oregon	\$0.000035	\$0.000035	\$0.000000
Washington	\$0.000035	\$0.000035	\$0.000000
Wyoming	\$0.000021	\$0.000021	\$0.000000

(D)
 (D)
 (D)
 (D)
 (D)
 (D)
 (D)
 (D)

* Effective July 1, 2021, pursuant to FCC 20-143, separate rate elements for Toll Free and Non-Toll Free originating transport services were established. The Non-Toll Free originating element is displayed above. The Toll Free rate element for originating transport services is displayed as 8YY Joint Tandem Switched Transport in Section 6.8.2(C)(4), following.

(D)

Material deleted from this page now appears in Brightspeed Local Operating Companies Tariff F.C.C. NO. 9.

(N)
 (N)

ISSUE DATE:
 September 19, 2022

Issued Under Transmittal No. 125
 Vice President-Regulatory Operations
 100 CenturyLink Drive
 Monroe, Louisiana 71203

EFFECTIVE DATE:
 October 4, 2022

ACCESS SERVICE

6. Switched Access Service (Cont'd)

6.8 Rates and Charges (Cont'd)

6.8.2 Switched Transport (Cont'd)

(C) Tandem Switched Transport (Cont'd)

(1) Tandem Switched Transmission (Cont'd)

Termination Per Access Minute Fixed

	<u>Originating Non-Toll Free</u> *	<u>Terminating</u>	
		<u>3rd Party</u>	<u>End Office</u>
<u>Zone 3</u>			
Florida	\$0.000598	\$0.000598	\$0.000000
Minnesota	\$0.000245	\$0.000245	\$0.000000
Nebraska	\$0.000245	\$0.000245	\$0.000000
Nevada	\$0.000369	\$0.000369	\$0.000000
Oregon	N/A	N/A	N/A
Washington	N/A	N/A	N/A
Wyoming	\$0.000245	\$0.000245	\$0.000000

(D)
 (D)
 (D)
 (D)
 (D)
 (D)
 (D)
 (D)

* Effective July 1, 2021, pursuant to FCC 20-143, separate rate elements for Toll Free and Non-Toll Free originating transport services were established. The Non-Toll Free originating element is displayed above. The Toll Free rate element for originating transport services is displayed as 8YY Joint Tandem Switched Transport in Section 6.8.2(C)(4), following.

(D)

Material deleted from this page now appears in Brightspeed Local Operating Companies Tariff F.C.C. NO. 9.

(N)
 (N)

ISSUE DATE:
 September 19, 2022

Issued Under Transmittal No. 125
 Vice President-Regulatory Operations
 100 CenturyLink Drive
 Monroe, Louisiana 71203

EFFECTIVE DATE:
 October 4, 2022

ACCESS SERVICE

6. Switched Access Service (Cont'd)

6.8 Rates and Charges (Cont'd)

6.8.2 Switched Transport (Cont'd)

(C) Tandem Switched Transport (Cont'd)

(1) Tandem Switched Transmission (Cont'd)

Facility Per Access Minute Per Mile

	<u>Originating</u>	<u>Terminating</u>	
	<u>Non-Toll Free</u> *	<u>3rd Party</u>	<u>End Office</u>
<u>Zone 3</u>			
Florida	\$0.000080	\$0.000080	\$0.000000
Minnesota	\$0.000023	\$0.000023	\$0.000000
Nebraska	\$0.000023	\$0.000023	\$0.000000
Nevada	\$0.000019	\$0.000019	\$0.000000
Oregon	N/A	N/A	N/A
Washington	N/A	N/A	N/A
Wyoming	\$0.000023	\$0.000023	\$0.000000

(D)
 (D)
 (D)
 (D)
 (D)
 (D)
 (D)
 (D)

* Effective July 1, 2021, pursuant to FCC 20-143, separate rate elements for Toll Free and Non-Toll Free originating transport services were established. The Non-Toll Free originating element is displayed above. The Toll Free rate element for originating transport services is displayed as 8YY Joint Tandem Switched Transport in Section 6.8.2(C)(4), following.

(D)

Material deleted from this page now appears in Brightspeed Local Operating Companies Tariff F.C.C. NO. 9.

(N)
 (N)

ISSUE DATE:
 September 19, 2022

Issued Under Transmittal No. 125
 Vice President-Regulatory Operations
 100 CenturyLink Drive
 Monroe, Louisiana 71203

EFFECTIVE DATE:
 October 4, 2022

ACCESS SERVICE

6. Switched Access Service (Cont'd)

6.8 Rates and Charges (Cont'd)

6.8.2 Switched Transport (Cont'd)

(C) Tandem Switched Transport (Cont'd)

(1) Tandem Switched Transmission (Cont'd)

Termination Per Access Minute Fixed

	<u>Originating Non-Toll Free</u> *	<u>Terminating</u>		
		<u>3rd Party</u>	<u>End Office</u>	
<u>Zone 4</u>				
Minnesota	\$0.000278	\$0.000278	\$0.000000	(D)
Nebraska	\$0.000278	\$0.000278	\$0.000000	(D)
Wyoming	\$0.000278	\$0.000278	\$0.000000	(D)

* Effective July 1, 2021, pursuant to FCC 20-143, separate rate elements for Toll Free and Non-Toll Free originating transport services were established. The Non-Toll Free originating element is displayed above. The Toll Free rate element for originating transport services is displayed as 8YY Joint Tandem Switched Transport in Section 6.8.2(C)(4), following.

Material deleted from this page now appears in Brightspeed Local Operating Companies Tariff F.C.C. NO. 9.

ISSUE DATE:
September 19, 2022

Issued Under Transmittal No. 125
 Vice President-Regulatory Operations
 100 CenturyLink Drive
 Monroe, Louisiana 71203

EFFECTIVE DATE:
October 4, 2022

ACCESS SERVICE

6. Switched Access Service (Cont'd)

6.8 Rates and Charges (Cont'd)

6.8.2 Switched Transport (Cont'd)

(C) Tandem Switched Transport (Cont'd)

(1) Tandem Switched Transmission (Cont'd)

Facility Per Access Minute Per Mile

<u>Zone 4</u>	<u>Originating</u>	<u>Terminating</u>		
	<u>Non-Toll Free</u> *	<u>3rd Party</u>	<u>End Office</u>	
Minnesota	\$0.000025	\$0.000025	\$0.000000	(D)
Nebraska	\$0.000025	\$0.000025	\$0.000000	(D)
Wyoming	\$0.000025	\$0.000025	\$0.000000	(D)

* Effective July 1, 2021, pursuant to FCC 20-143, separate rate elements for Toll Free and Non-Toll Free originating transport services were established. The Non-Toll Free originating element is displayed above. The Toll Free rate element for originating transport services is displayed as 8YY Joint Tandem Switched Transport in Section 6.8.2(C)(4), following. (D)

Material deleted from this page now appears in Brightspeed Local Operating Companies Tariff F.C.C. NO. 9. (N)
(N)

ISSUE DATE:
September 19, 2022

Issued Under Transmittal No. 125
 Vice President-Regulatory Operations
 100 CenturyLink Drive
 Monroe, Louisiana 71203

EFFECTIVE DATE:
October 4, 2022

ACCESS SERVICE

6. Switched Access Service (Cont'd)

6.8 Rates and Charges (Cont'd)

6.8.2 Switched Transport (Cont'd)

(C) Tandem Switched Transport (Cont'd)

(2) Tandem Switching

Rate Per Access Minute

	<u>Originating</u>	<u>Terminating</u>	
	<u>Non-Toll Free</u> *	<u>3rd Party</u>	<u>End Office</u>
<u>Zone 1</u>			
Florida	\$0.001197	\$0.001197	\$0.000000
Minnesota	\$0.000331	\$0.000331	\$0.000000
Nebraska	\$0.000331	\$0.000331	\$0.000000
Nevada	\$0.002052	\$0.002052	\$0.000000
Oregon	\$0.000150	\$0.000150	\$0.000000
Washington	\$0.000150	\$0.000150	\$0.000000
Wyoming	\$0.000331	\$0.000331	\$0.000000

(D)
 (D)
 (D)
 (D)
 (D)
 (D)
 (D)
 (D)

* Effective July 1, 2021, pursuant to FCC 20-143, separate rate elements for Toll Free and Non-Toll Free originating transport services were established. The Non-Toll Free originating element is displayed above. The Toll Free rate element for originating transport services is displayed as 8YY Joint Tandem Switched Transport in Section 6.8.2(C)(4), following.

(D)

Material deleted from this page now appears in Brightspeed Local Operating Companies Tariff F.C.C. NO. 9.

(N)
 (N)

ACCESS SERVICE

6. Switched Access Service (Cont'd)

6.8 Rates and Charges (Cont'd)

6.8.2 Switched Transport (Cont'd)

(C) Tandem Switched Transport (Cont'd)

(2) Tandem Switching

Rate Per Access Minute

	<u>Originating</u> <u>Non-Toll Free</u> *	<u>Terminating</u>	
		<u>3rd Party</u>	<u>End Office</u>
<u>Zone 2</u>			
Florida	\$0.001338	\$0.001338	\$0.000000
Minnesota	\$0.000362	\$0.000362	\$0.000000
Nebraska	\$0.000362	\$0.000362	\$0.000000
Nevada	\$0.002106	\$0.002106	\$0.000000
Oregon	\$0.000160	\$0.000160	\$0.000000
Washington	\$0.000160	\$0.000160	\$0.000000
Wyoming	\$0.000362	\$0.000362	\$0.000000

(D)
 (D)
 (D)
 (D)
 (D)
 (D)
 (D)
 (D)

* Effective July 1, 2021, pursuant to FCC 20-143, separate rate elements for Toll Free and Non-Toll Free originating transport services were established. The Non-Toll Free originating element is displayed above. The Toll Free rate element for originating transport services is displayed as 8YY Joint Tandem Switched Transport in Section 6.8.2(C)(4), following.

(D)

Material deleted from this page now appears in Brightspeed Local Operating Companies Tariff F.C.C. NO. 9.

(N)
 (N)

ISSUE DATE:
 September 19, 2022

Issued Under Transmittal No. 125
 Vice President-Regulatory Operations
 100 CenturyLink Drive
 Monroe, Louisiana 71203

EFFECTIVE DATE:
 October 4, 2022

ACCESS SERVICE

6. Switched Access Service (Cont'd)

6.8 Rates and Charges (Cont'd)

6.8.2 Switched Transport (Cont'd)

(C) Tandem Switched Transport (Cont'd)

(2) Tandem Switching

Rate Per Access Minute

	<u>Originating</u>	<u>Terminating</u>	
	<u>Non-Toll Free</u> *	<u>3rd Party</u>	<u>End Office</u>
<u>Zone 3</u>			
Florida	\$0.001693	\$0.001693	\$0.000000
Minnesota	\$0.000381	\$0.000381	\$0.000000
Nebraska	\$0.000381	\$0.000381	\$0.000000
Nevada	\$0.002260	\$0.002260	\$0.000000
Oregon	N/A	N/A	N/A
Washington	N/A	N/A	N/A
Wyoming	\$0.000381	\$0.000381	\$0.000000

(D)
 (D)
 (D)
 (D)
 (D)
 (D)
 (D)
 (D)

* Effective July 1, 2021, pursuant to FCC 20-143, separate rate elements for Toll Free and Non-Toll Free originating transport services were established. The Non-Toll Free originating element is displayed above. The Toll Free rate element for originating transport services is displayed as 8YY Joint Tandem Switched Transport in Section 6.8.2(C)(4), following.

(D)

Material deleted from this page now appears in Brightspeed Local Operating Companies Tariff F.C.C. NO. 9.

(N)
 (N)

ISSUE DATE:
 September 19, 2022

Issued Under Transmittal No. 125
 Vice President-Regulatory Operations
 100 CenturyLink Drive
 Monroe, Louisiana 71203

EFFECTIVE DATE:
 October 4, 2022

ACCESS SERVICE

6. Switched Access Service (Cont'd)6.8 Rates and Charges (Cont'd)6.8.2 Switched Transport (Cont'd)(C) Tandem Switched Transport (Cont'd)(2) Tandem Switching

Rate Per Access Minute

	<u>Originating</u>	<u>Terminating</u>		
	<u>Non-Toll Free</u> *	<u>3rd Party</u>	<u>End Office</u>	
<u>Zone 4</u>				
Minnesota	\$0.000425	\$0.000425	\$0.000000	(D)
Nebraska	\$0.000425	\$0.000425	\$0.000000	(D)
Wyoming	\$0.000425	\$0.000425	\$0.000000	(D)

* Effective July 1, 2021, pursuant to FCC 20-143, separate rate elements for Toll Free and Non-Toll Free originating transport services were established. The Non-Toll Free originating element is displayed above. The Toll Free rate element for originating transport services is displayed as 8YY Joint Tandem Switched Transport in Section 6.8.2(C)(4), following.

(D)

Material deleted from this page now appears in Brightspeed Local Operating Companies Tariff F.C.C. NO. 9.

(N)

(N)

ISSUE DATE:
September 19, 2022

Issued Under Transmittal No. 125
Vice President-Regulatory Operations
100 CenturyLink Drive
Monroe, Louisiana 71203

EFFECTIVE DATE:
October 4, 2022

ACCESS SERVICE

6. Switched Access Service (Cont'd)

6.8 Rates and Charges (Cont'd)

6.8.2 Switched Transport (Cont'd)

(C) Tandem Switched Transport (Cont'd)

(3) Common Transport Multiplexing

Rate Per Access Minute

	<u>Originating</u>	<u>Terminating</u>	
	<u>Non-Toll Free</u> *	<u>3rd Party</u>	<u>End Office</u>
<u>Zone 1</u>			
Florida	\$0.000327	\$0.000327	\$0.000000
Minnesota	\$0.000218	\$0.000218	\$0.000000
Nebraska	\$0.000218	\$0.000218	\$0.000000
Nevada	\$0.000092	\$0.000092	\$0.000000
Oregon	\$0.000225	\$0.000225	\$0.000000
Washington	\$0.000225	\$0.000225	\$0.000000
Wyoming	\$0.000218	\$0.000218	\$0.000000

(D)
 (D)
 (D)
 (D)
 (D)
 (D)
 (D)
 (D)

* Effective July 1, 2021, pursuant to FCC 20-143, separate rate elements for Toll Free and Non-Toll Free originating transport services were established. The Non-Toll Free originating element is displayed above. The Toll Free rate element for originating transport services is displayed as 8YY Joint Tandem Switched Transport in Section 6.8.2(C)(4), following.

(D)

Material deleted from this page now appears in Brightspeed Local Operating Companies Tariff F.C.C. NO. 9.

(N)
 (N)

ISSUE DATE:
 September 19, 2022

Issued Under Transmittal No. 125
 Vice President-Regulatory Operations
 100 CenturyLink Drive
 Monroe, Louisiana 71203

EFFECTIVE DATE:
 October 4, 2022

ACCESS SERVICE

6. Switched Access Service (Cont'd)

6.8 Rates and Charges (Cont'd)

6.8.2 Switched Transport (Cont'd)

(C) Tandem Switched Transport (Cont'd)

(3) Common Transport Multiplexing (Cont'd)

Rate Per Access Minute

	<u>Originating</u>	<u>Terminating</u>	
	<u>Non-Toll Free</u> *	<u>3rd Party</u>	<u>End Office</u>
<u>Zone 2</u>			
Florida	\$0.000360	\$0.000360	\$0.000000
Minnesota	\$0.000235	\$0.000235	\$0.000000
Nebraska	\$0.000235	\$0.000235	\$0.000000
Nevada	\$0.000096	\$0.000096	\$0.000000
Oregon	\$0.000240	\$0.000240	\$0.000000
Washington	\$0.000240	\$0.000240	\$0.000000
Wyoming	\$0.000235	\$0.000235	\$0.000000

(D)
 (D)
 (D)
 (D)
 (D)
 (D)
 (D)
 (D)

* Effective July 1, 2021, pursuant to FCC 20-143, separate rate elements for Toll Free and Non-Toll Free originating transport services were established. The Non-Toll Free originating element is displayed above. The Toll Free rate element for originating transport services is displayed as 8YY Joint Tandem Switched Transport in Section 6.8.2(C)(4), following.

(D)

Material deleted from this page now appears in Brightspeed Local Operating Companies Tariff F.C.C. NO. 9.

(N)
 (N)

ISSUE DATE:
 September 19, 2022

Issued Under Transmittal No. 125
 Vice President-Regulatory Operations
 100 CenturyLink Drive
 Monroe, Louisiana 71203

EFFECTIVE DATE:
 October 4, 2022

ACCESS SERVICE

6. Switched Access Service (Cont'd)

6.8 Rates and Charges (Cont'd)

6.8.2 Switched Transport (Cont'd)

(C) Tandem Switched Transport (Cont'd)

(3) Common Transport Multiplexing (Cont'd)

Rate Per Access Minute

	<u>Originating</u>	<u>Terminating</u>	
	<u>Non-Toll Free</u> *	<u>3rd Party</u>	<u>End Office</u>
<u>Zone 3</u>			
Florida	\$0.000370	\$0.000370	\$0.000000
Minnesota	\$0.000254	\$0.000254	\$0.000000
Nebraska	\$0.000254	\$0.000254	\$0.000000
Nevada	\$0.000103	\$0.000103	\$0.000000
Oregon	N/A	N/A	N/A
Washington	N/A	N/A	N/A
Wyoming	\$0.000254	\$0.000254	\$0.000000

(D)
 (D)
 (D)
 (D)
 (D)
 (D)
 (D)
 (D)

* Effective July 1, 2021, pursuant to FCC 20-143, separate rate elements for Toll Free and Non-Toll Free originating transport services were established. The Non-Toll Free originating element is displayed above. The Toll Free rate element for originating transport services is displayed as 8YY Joint Tandem Switched Transport in Section 6.8.2(C)(4), following.

(D)

Material deleted from this page now appears in Brightspeed Local Operating Companies Tariff F.C.C. NO. 9.

(N)
 (N)

ISSUE DATE:
 September 19, 2022

Issued Under Transmittal No. 125
 Vice President-Regulatory Operations
 100 CenturyLink Drive
 Monroe, Louisiana 71203

EFFECTIVE DATE:
 October 4, 2022

ACCESS SERVICE

6. Switched Access Service (Cont'd)6.8 Rates and Charges (Cont'd)6.8.2 Switched Transport (Cont'd)(C) Tandem Switched Transport (Cont'd)(3) Common Transport Multiplexing (Cont'd)

Rate Per Access Minute

<u>Zone 4</u>	<u>Originating</u>	<u>Terminating</u>		
	<u>Non-Toll Free</u> *	<u>3rd Party</u>	<u>End Office</u>	
Minnesota	\$0.000277	\$0.000277	\$0.000000	(D)
Nebraska	\$0.000277	\$0.000277	\$0.000000	(D)
Wyoming	\$0.000277	\$0.000277	\$0.000000	(D)

* Effective July 1, 2021, pursuant to FCC 20-143, separate rate elements for Toll Free and Non-Toll Free originating transport services were established. The Non-Toll Free originating element is displayed above. The Toll Free rate element for originating transport services is displayed as 8YY Joint Tandem Switched Transport in Section 6.8.2(C)(4), following.

Material deleted from this page now appears in Brightspeed Local Operating Companies Tariff F.C.C. NO. 9.

ISSUE DATE:
September 19, 2022

Issued Under Transmittal No. 125
Vice President-Regulatory Operations
100 CenturyLink Drive
Monroe, Louisiana 71203

EFFECTIVE DATE:
October 4, 2022

ACCESS SERVICE

6. Switched Access Service (Cont'd)

6.8 Rates and Charges (Cont'd)

6.8.2 Switched Transport (Cont'd)

(C) Tandem Switched Transport (Cont'd)

(4) 8YY Joint Tandem Switched Transport

Rate Per Access Minute

<u>All Zones</u>	<u>Originating Toll Free *</u>
Florida	\$0.001
Minnesota	\$0.001
Nebraska	\$0.001
Nevada	\$0.001
Oregon	\$0.001
Washington	\$0.001
Wyoming	\$0.001

(D)
 (D)
 (D)
 (D)
 (D)
 (D)
 (D)
 (D)

* Effective July 1, 2021, pursuant to FCC 20-143, separate rate elements for Toll Free and Non-Toll Free originating transport services were established. The Originating Toll Free rate element for transport services is displayed as 8YY Joint Tandem Switched Transport above. The Non-Toll Free originating element is displayed in Sections 6.8.2(C)(1), (2) and (3) preceding.

(D)

Material deleted from this page now appears in Brightspeed Local Operating Companies Tariff F.C.C. NO. 9.

(N)
 (N)

ISSUE DATE:
 September 19, 2022

Issued Under Transmittal No. 125
 Vice President-Regulatory Operations
 100 CenturyLink Drive
 Monroe, Louisiana 71203

EFFECTIVE DATE:
 October 4, 2022

ACCESS SERVICE

6. Switched Access Service (Cont'd)

6.8 Rates and Charges (Cont'd)

6.8.2 Switched Transport (Cont'd)

(C) Tandem Switched Transport (Cont'd)

(5) Dedicated Trunk Port

(a) Per DS0

	<u>Monthly Rates</u>	
Florida	\$4.05	(D)
		(D)
Minnesota	\$3.66	(D)
Nebraska	\$3.66	(D)
		(D)
Oregon	\$4.83	(D)
		(D)
Washington	\$4.83	(D)
Wyoming	\$3.66	(D)

Material deleted from this page now appears in Brightspeed Local Operating Companies Tariff F.C.C. NO. 9. (N)
 (N)

ISSUE DATE:
 September 19, 2022

Issued Under Transmittal No. 125
 Vice President-Regulatory Operations
 100 CenturyLink Drive
 Monroe, Louisiana 71203

EFFECTIVE DATE:
 October 4, 2022

ACCESS SERVICE

6. Switched Access Service (Cont'd)

6.8 Rates and Charges (Cont'd)

6.8.2 Switched Transport (Cont'd)

(C) Tandem Switched Transport (Cont'd)

(5) Dedicated Trunk Port (Cont'd)

(b) Per DS1

	<u>Monthly Rates</u>	
Florida	\$93.58	(D)
		(D)
Minnesota	\$93.40	(D)
Nebraska	\$93.40	(D)
		(D)
Oregon	\$100.00	(D)
		(D)
Washington	\$100.00	(D)
Wyoming	\$93.40	(D)

Material deleted from this page now appears in Brightspeed Local Operating Companies Tariff F.C.C. NO. 9.

(D)
(N)
(N)

ISSUE DATE:
September 19, 2022

Issued Under Transmittal No. 125
 Vice President-Regulatory Operations
 100 CenturyLink Drive
 Monroe, Louisiana 71203

EFFECTIVE DATE:
October 4, 2022

ACCESS SERVICE

6. Switched Access Service (Cont'd)

6.8 Rates and Charges (Cont'd)

6.8.2 Switched Transport (Cont'd)

(D) Optional Features

(1) Provision of Other than Telephone Company Selected Traffic Routing (available with FGB, FGC and FGD)

(a) Direct Trunking in lieu of Tandem Trunking

	<u>Monthly Rates</u>	<u>Nonrecurring Charges</u>	
Florida	GAR	GAR	(D)
			(D)
Minnesota	GAR	GAR	(D)
Nebraska	GAR	GAR	(D)
Nevada	ICB	ICB	(D)
			(D)
Oregon	GAR	GAR	(D)
			(D)
Washington	GAR	GAR	(D)
Wyoming	GAR	GAR	(D)

Material deleted from this page now appears in Brightspeed Local Operating Companies Tariff F.C.C. NO. 9.

ISSUE DATE:
 September 19, 2022

Issued Under Transmittal No. 125
 Vice President-Regulatory Operations
 100 CenturyLink Drive
 Monroe, Louisiana 71203

EFFECTIVE DATE:
 October 4, 2022

(D)
 (N)
 (N)

ACCESS SERVICE

6. Switched Access Service (Cont'd)

6.8 Rates and Charges (Cont'd)

6.8.2 Switched Transport (Cont'd)

(D) Optional Features (Cont'd)

(1) Provision of Other than Telephone Company Selected Traffic Routing (available with FGB, FGC and FGD) (Cont'd)

(b) Tandem Trunking in lieu of Direct Trunking

	<u>Monthly Rates</u>	<u>Nonrecurring Charges</u>	
Florida	GAR	GAR	(D)
			(D)
Minnesota	GAR	GAR	(D)
Nebraska	GAR	GAR	(D)
Nevada	ICB	ICB	(D)
			(D)
Oregon	GAR	GAR	(D)
			(D)
Washington	GAR	GAR	(D)
Wyoming	GAR	GAR	(D)

Material deleted from this page now appears in Brightspeed Local Operating Companies Tariff F.C.C. NO. 9.

(D)
(N)
(N)

ISSUE DATE:
September 19, 2022

Issued Under Transmittal No. 125
 Vice President-Regulatory Operations
 100 CenturyLink Drive
 Monroe, Louisiana 71203

EFFECTIVE DATE:
October 4, 2022

ACCESS SERVICE

6. Switched Access Service (Cont'd)

6.8 Rates and Charges (Cont'd)

6.8.2 Switched Transport (Cont'd)

(D) Optional Features (Cont'd)

(2) Customer Specification of Feature Group Directionality (Available with FGB, FGC * and FGD)

(a) One-Way Operation in lieu of Two-Way Operation

	<u>Monthly Rates</u>	<u>Nonrecurring Charges</u>	
Florida	GAR	GAR	(D)
			(D)
Minnesota	GAR	GAR	(D)
Nebraska	GAR	GAR	(D)
Nevada	ICB	ICB	(D)
			(D)
Oregon	GAR	GAR	(D)
			(D)
Washington	GAR	GAR	(D)
Wyoming	GAR	GAR	(D)

* For FGC this option is available only in appropriately equipped end offices. (D)

Material deleted from this page now appears in Brightspeed Local Operating Companies Tariff F.C.C. NO. 9. (N)
 (N)

ISSUE DATE:
 September 19, 2022

Issued Under Transmittal No. 125
 Vice President-Regulatory Operations
 100 CenturyLink Drive
 Monroe, Louisiana 71203

EFFECTIVE DATE:
 October 4, 2022

ACCESS SERVICE

6. Switched Access Service (Cont'd)

6.8 Rates and Charges (Cont'd)

6.8.2 Switched Transport (Cont'd)

(D) Optional Features (Cont'd)

(2) Customer Specification of Feature Group Directionality (Available with FGB, FGC * and FGD) Cont'd)

(b) Two-Way Operation in lieu of One-Way Operation

	<u>Monthly Rates</u>	<u>Nonrecurring Charges</u>	
Florida	GAR	GAR	(D)
			(D)
Minnesota	GAR	GAR	(D)
Nebraska	GAR	GAR	(D)
Nevada	ICB	ICB	(D)
			(D)
Oregon	GAR	GAR	(D)
			(D)
Washington	GAR	GAR	(D)
Wyoming	GAR	GAR	(D)

* For FGC this option is available only in appropriately equipped end offices. (D)

Material deleted from this page now appears in Brightspeed Local Operating Companies Tariff F.C.C. NO. 9. (N)
 (N)

ISSUE DATE:
 September 19, 2022

Issued Under Transmittal No. 125
 Vice President-Regulatory Operations
 100 CenturyLink Drive
 Monroe, Louisiana 71203

EFFECTIVE DATE:
 October 4, 2022

ACCESS SERVICE

6. Switched Access Service (Cont'd)

6.8 Rates and Charges (Cont'd)

6.8.2 Switched Transport (Cont'd)

(D) Optional Features (Cont'd)

(3) Customer Specification of Switched Transport Termination
(Available with FGB with Type B Transmission Performance)

- Four-Way Operation in lieu of One-Way Operation

	<u>Monthly Rates</u>	<u>Nonrecurring Charges</u>	
Florida	GAR	GAR	(D)
			(D)
Minnesota	GAR	GAR	(D)
Nebraska	GAR	GAR	(D)
Nevada	ICB	ICB	(D)
			(D)
Oregon	GAR	GAR	(D)
			(D)
Washington	GAR	GAR	(D)
Wyoming	GAR	GAR	(D)

Material deleted from this page now appears in Brightspeed Local Operating Companies Tariff F.C.C. NO. 9.

ISSUE DATE:
 September 19, 2022

Issued Under Transmittal No. 125
 Vice President-Regulatory Operations
 100 CenturyLink Drive
 Monroe, Louisiana 71203

EFFECTIVE DATE:
 October 4, 2022

(D)
 (N)
 (N)

ACCESS SERVICE

6. Switched Access Service (Cont'd)

6.8 Rates and Charges (Cont'd)

6.8.2 Switched Transport (Cont'd)

(D) Optional Features (Cont'd)

(4) Multiplexing

(a) DS1 to Voice Grade

	<u>Monthly Rates</u>	<u>Nonrecurring Charges</u>
<u>Zone 1</u>		
Florida	\$190.00	\$150.00
Minnesota	\$152.00	\$125.00
Nebraska	\$152.00	\$125.00
Oregon	\$250.00	\$150.00
Washington	\$250.00	\$150.00
Wyoming	\$152.00	\$125.00

(D)
 (D)
 (D)
 (D)
 (D)
 (D)
 (D)

Material deleted from this page now appears in Brightspeed Local Operating Companies Tariff F.C.C. NO. 9.

(D)
 (N)
 (N)

ISSUE DATE:
 September 19, 2022

Issued Under Transmittal No. 125
 Vice President-Regulatory Operations
 100 CenturyLink Drive
 Monroe, Louisiana 71203

EFFECTIVE DATE:
 October 4, 2022

ACCESS SERVICE

6. Switched Access Service (Cont'd)

6.8 Rates and Charges (Cont'd)

6.8.2 Switched Transport (Cont'd)

(D) Optional Features (Cont'd)

(4) Multiplexing (Cont'd)

(a) DS1 to Voice Grade (Cont'd)

	<u>Monthly Rates</u>	<u>Nonrecurring Charges</u>
<u>Zone 2</u>		
Florida	\$230.00	\$150.00
Minnesota	\$159.60	\$125.00
Nebraska	\$159.60	\$125.00
Oregon	\$275.00	\$150.00
Washington	\$275.00	\$150.00
Wyoming	\$159.60	\$125.00

(D)
 (D)
 (D)
 (D)
 (D)
 (D)
 (D)

(D)

Material deleted from this page now appears in Brightspeed Local Operating Companies Tariff F.C.C. NO. 9.

(N)
 (N)

ISSUE DATE:
 September 19, 2022

Issued Under Transmittal No. 125
 Vice President-Regulatory Operations
 100 CenturyLink Drive
 Monroe, Louisiana 71203

EFFECTIVE DATE:
 October 4, 2022

ACCESS SERVICE

6. Switched Access Service (Cont'd)

6.8 Rates and Charges (Cont'd)

6.8.2 Switched Transport (Cont'd)

(D) Optional Features (Cont'd)

(4) Multiplexing (Cont'd)

(a) DS1 to Voice Grade (Cont'd)

	<u>Monthly Rates</u>	<u>Nonrecurring Charges</u>
<u>Zone 3</u>		
Florida	\$245.00	\$150.00
Minnesota	\$169.18	\$125.00
Nebraska	\$169.18	\$125.00
Oregon	N/A	N/A
Washington	N/A	N/A
Wyoming	\$169.18	\$125.00

(D)
 (D)
 (D)
 (D)
 (D)
 (D)
 (D)

Material deleted from this page now appears in Brightspeed Local Operating Companies Tariff F.C.C. NO. 9.

(D)
 (N)
 (N)

ISSUE DATE:
 September 19, 2022

Issued Under Transmittal No. 125
 Vice President-Regulatory Operations
 100 CenturyLink Drive
 Monroe, Louisiana 71203

EFFECTIVE DATE:
 October 4, 2022

ACCESS SERVICE

6. Switched Access Service (Cont'd)

6.8 Rates and Charges (Cont'd)

6.8.2 Switched Transport (Cont'd)

(D) Optional Features (Cont'd)

(4) Multiplexing (Cont'd)

(a) DS1 to Voice Grade (Cont'd)

	<u>Monthly Rates</u>	<u>Nonrecurring Charges</u>	
<u>Zone 4</u>			
Minnesota	\$182.71	\$125.00	(D)
Nebraska	\$182.71	\$125.00	(D)
Wyoming	\$182.71	\$125.00	(D)

Material deleted from this page now appears in Brightspeed Local Operating Companies Tariff F.C.C. NO. 9. (D)
(N)
(N)

ISSUE DATE:
September 19, 2022

Issued Under Transmittal No. 125
 Vice President-Regulatory Operations
 100 CenturyLink Drive
 Monroe, Louisiana 71203

EFFECTIVE DATE:
October 4, 2022

ACCESS SERVICE

6. Switched Access Service (Cont'd)

6.8 Rates and Charges (Cont'd)

6.8.2 Switched Transport (Cont'd)

(D) Optional Features (Cont'd)

(4) Multiplexing (Cont'd)

(b) DS3 to DS1

	<u>Monthly Rates</u>	<u>Nonrecurring Charges</u>
<u>Zone 1</u>		
Florida	\$211.00	\$100.00
Minnesota	\$237.50	\$200.00
Nebraska	\$237.50	\$200.00
Oregon	\$350.00	\$180.50
Washington	\$350.00	\$180.50
Wyoming	\$237.50	\$200.00

(D)
 (D)
 (D)
 (D)
 (D)
 (D)
 (D)

Material deleted from this page now appears in Brightspeed Local Operating Companies Tariff F.C.C. NO. 9.

(D)
 (N)
 (N)

ISSUE DATE:
 September 19, 2022

Issued Under Transmittal No. 125
 Vice President-Regulatory Operations
 100 CenturyLink Drive
 Monroe, Louisiana 71203

EFFECTIVE DATE:
 October 4, 2022

ACCESS SERVICE

6. Switched Access Service (Cont'd)

6.8 Rates and Charges (Cont'd)

6.8.2 Switched Transport (Cont'd)

(D) Optional Features (Cont'd)

(4) Multiplexing (Cont'd)

(b) DS3 to DS1

	<u>Monthly Rates</u>	<u>Nonrecurring Charges</u>
<u>Zone 2</u>		
Florida	\$245.00	\$100.00
Minnesota	\$259.00	\$200.00
Nebraska	\$259.00	\$200.00
Oregon	\$410.00	\$180.50
Washington	\$410.00	\$180.50
Wyoming	\$259.00	\$200.00

(D)
 (D)
 (D)
 (D)
 (D)
 (D)
 (D)

Material deleted from this page now appears in Brightspeed Local Operating Companies Tariff F.C.C. NO. 9.

(D)
 (N)
 (N)

ISSUE DATE:
 September 19, 2022

Issued Under Transmittal No. 125
 Vice President-Regulatory Operations
 100 CenturyLink Drive
 Monroe, Louisiana 71203

EFFECTIVE DATE:
 October 4, 2022

ACCESS SERVICE

6. Switched Access Service (Cont'd)

6.8 Rates and Charges (Cont'd)

6.8.2 Switched Transport (Cont'd)

(D) Optional Features (Cont'd)

(4) Multiplexing (Cont'd)

(b) DS3 to DS1

	<u>Monthly Rates</u>	<u>Nonrecurring Charges</u>
<u>Zone 3</u>		
Florida	\$250.00	\$100.00
Minnesota	\$280.00	\$200.00
Nebraska	\$280.00	\$200.00
Oregon	N/A	N/A
Washington	N/A	N/A
Wyoming	\$280.00	\$200.00

(D)
 (D)
 (D)
 (D)
 (D)
 (D)
 (D)

Material deleted from this page now appears in Brightspeed Local Operating Companies Tariff F.C.C. NO. 9.

(D)
 (N)
 (N)

ISSUE DATE:
 September 19, 2022

Issued Under Transmittal No. 125
 Vice President-Regulatory Operations
 100 CenturyLink Drive
 Monroe, Louisiana 71203

EFFECTIVE DATE:
 October 4, 2022

ACCESS SERVICE

6. Switched Access Service (Cont'd)

6.8 Rates and Charges (Cont'd)

6.8.2 Switched Transport (Cont'd)

(D) Optional Features (Cont'd)

(4) Multiplexing (Cont'd)

(b) DS3 to DS1

	<u>Monthly Rates</u>	<u>Nonrecurring Charges</u>	
<u>Zone 4</u>			
Minnesota	\$297.00	\$200.00	(D)
Nebraska	\$297.00	\$200.00	(D)
Wyoming	\$297.00	\$200.00	(D)

Material deleted from this page now appears in Brightspeed Local Operating Companies Tariff F.C.C. NO. 9. (D)
(N)
(N)

ISSUE DATE:
September 19, 2022

Issued Under Transmittal No. 125
 Vice President-Regulatory Operations
 100 CenturyLink Drive
 Monroe, Louisiana 71203

EFFECTIVE DATE:
October 4, 2022

ACCESS SERVICE

6. Switched Access Service (Cont'd)

6.8 Rates and Charges (Cont'd)

6.8.2 Switched Transport (Cont'd)

(E) Network Blocking Charge

- Per Call **

Rate Per Call Blocked

Florida	GAR	(D)
		(D)
Minnesota	GAR	(D)
Nebraska	GAR	(D)
Nevada	ICB	(D)
		(D)
Oregon	GAR	(D)
		(D)
		(D)
Washington	GAR	(D)
Wyoming	GAR	(D)

** Applies to FGD.

(D)

Material deleted from this page now appears in Brightspeed Local Operating Companies Tariff
 F.C.C. NO. 9.

(N)

(N)

ISSUE DATE:
 September 19, 2022

Issued Under Transmittal No. 125
 Vice President-Regulatory Operations
 100 CenturyLink Drive
 Monroe, Louisiana 71203

EFFECTIVE DATE:
 October 4, 2022

ACCESS SERVICE

6. Switched Access Service (Cont'd)

6.8 Rates and Charges (Cont'd)

6.8.2 Switched Transport (Cont'd)

(F) Installation*

- Per Line or Trunk

	<u>Nonrecurring Charges</u>	
Florida	\$14.20	(D)
		(D)
Minnesota	\$20.00	(D)
Nebraska	\$20.00	(D)
		(D)
Oregon	\$15.00	(D)
		(D)
Washington	\$15.00	
Wyoming	\$20.00	(D)

* This flat rated charge was calculated based upon a 50/50 split between originating and terminating. The FCC. In their FCC 11-161 ICC Transformation Order in Section 51.907(D)(1), allowed Price Cap Carriers to use an equal split to divide the charge between originating and terminating elements. When the terminating portion of the rate is reduced and then combined with the originating portion of the rate, a single flat rate is generated for billing purposes.

(D)

Material deleted from this page now appears in Brightspeed Local Operating Companies Tariff F.C.C. NO. 9.

(N)

(N)

ISSUE DATE:
September 19, 2022

Issued Under Transmittal No. 125
 Vice President-Regulatory Operations
 100 CenturyLink Drive
 Monroe, Louisiana 71203

EFFECTIVE DATE:
October 4, 2022

ACCESS SERVICE

6. Switched Access Service (Cont'd)

6.8 Rates and Charges (Cont'd)

6.8.2 Switched Transport (Cont'd)

(G) CCS/SS7 Interconnection Service

(1) Channel Termination

- Per Point of Termination

- 56.0 kbps

	<u>Monthly Rates</u>	<u>Nonrecurring Charges</u>
Florida	\$114.00	\$250.00
Minnesota	\$93.00	\$310.00
Oregon	\$76.00	\$260.00
Washington	\$76.00	\$260.00

(D)
|
(D)
|
(D)
|
(D)

Material deleted from this page now appears in Brightspeed Local Operating Companies Tariff F.C.C. NO. 9.

(D)
(N)
(N)

ISSUE DATE:
September 19, 2022

Issued Under Transmittal No. 125
 Vice President-Regulatory Operations
 100 CenturyLink Drive
 Monroe, Louisiana 71203

EFFECTIVE DATE:
October 4, 2022

ACCESS SERVICE

6. Switched Access Service (Cont'd)

6.8 Rates and Charges (Cont'd)

6.8.2 Switched Transport (Cont'd)

(G) CCS/SS7 Interconnection Service (Cont'd)

(1) Channel Termination (Cont'd)

- Per Point of Termination

- 1.544 Mbps

	<u>Monthly Rates</u>	<u>Nonrecurring Charges</u>
Florida	\$115.00	\$360.00
Minnesota	\$94.00	\$340.00
Oregon	\$118.00	\$340.00
Washington	\$118.00	\$340.00

(D)
|
(D)
|
(D)
|
(D)

Material deleted from this page now appears in Brightspeed Local Operating Companies Tariff F.C.C. NO. 9.

(D)
(N)
(N)

ISSUE DATE:
September 19, 2022

Issued Under Transmittal No. 125
 Vice President-Regulatory Operations
 100 CenturyLink Drive
 Monroe, Louisiana 71203

EFFECTIVE DATE:
October 4, 2022

ACCESS SERVICE

6. Switched Access Service (Cont'd)

6.8 Rates and Charges (Cont'd)

6.8.2 Switched Transport (Cont'd)

(G) CCS/SS7 Interconnection Service (Cont'd)

(2) Channel Mileage

(a) 56.0 kbps

	Monthly Rates	
	<u>Fixed</u>	<u>Per Mile</u>
Florida	\$49.00	\$4.30
Minnesota	\$50.00	\$2.00
Oregon	\$30.00	\$0.99
Washington	\$30.00	\$0.99

(D)
 |
 (D)
 |
 (D)
 |
 (D)

Material deleted from this page now appears in Brightspeed Local Operating Companies Tariff F.C.C. NO. 9.

(D)
 |
 (N)
 |
 (N)

ISSUE DATE:
 September 19, 2022

Issued Under Transmittal No. 125
 Vice President-Regulatory Operations
 100 CenturyLink Drive
 Monroe, Louisiana 71203

EFFECTIVE DATE:
 October 4, 2022

ACCESS SERVICE

6. Switched Access Service (Cont'd)

6.8 Rates and Charges (Cont'd)

6.8.2 Switched Transport (Cont'd)

(G) CCS/SS7 Interconnection Service (Cont'd)

(2) Channel Mileage (Cont'd)

(b) 1.544 Mbps

	Monthly Rates	
	<u>Fixed</u>	<u>Per Mile</u>
Florida	\$50.00	\$4.35
Minnesota	\$52.00	\$2.50
Oregon	\$55.00	\$3.80
Washington	\$55.00	\$3.80

(D)
 |
 (D)
 |
 (D)
 |
 (D)

(D)

Material deleted from this page now appears in Brightspeed Local Operating Companies Tariff F.C.C. NO. 9.

(N)
 (N)

ISSUE DATE:
 September 19, 2022

Issued Under Transmittal No. 125
 Vice President-Regulatory Operations
 100 CenturyLink Drive
 Monroe, Louisiana 71203

EFFECTIVE DATE:
 October 4, 2022

ACCESS SERVICE

6. Switched Access Service (Cont'd)

6.8 Rates and Charges (Cont'd)

6.8.2 Switched Transport (Cont'd)

(G) CCS/SS7 Interconnection Service (Cont'd)

(3) Multiplexing

DS1 to DS0 (required with 1.544 Mbps)

- Per Arrangement

	<u>Monthly Rates</u>	<u>Nonrecurring Charges</u>
Florida	\$230.00	\$150.00
Minnesota	\$199.00	\$125.00
Oregon	\$200.00	\$140.00
Washington	\$200.00	\$140.00

(D)
|
(D)
|
(D)
|
(D)

(D)

Material deleted from this page now appears in Brightspeed Local Operating Companies Tariff F.C.C. NO. 9.

(N)
(N)

ISSUE DATE:
September 19, 2022

Issued Under Transmittal No. 125
 Vice President-Regulatory Operations
 100 CenturyLink Drive
 Monroe, Louisiana 71203

EFFECTIVE DATE:
October 4, 2022

ACCESS SERVICE

6. Switched Access Service (Cont'd)

6.8 Rates and Charges (Cont'd)

6.8.2 Switched Transport (Cont'd)

(G) CCS/SS7 Interconnection Service (Cont'd)

(4) STP Port Charge

- Per Port

	<u>Monthly Rates</u>	<u>Nonrecurring Charges</u>
Florida	\$430.85	None
Minnesota	\$433.95	None
Oregon	\$441.90	None
Washington	\$441.90	None

(D)
 |
 (D)
 |
 (D)
 |
 (D)

(D)

Material deleted from this page now appears in Brightspeed Local Operating Companies Tariff F.C.C. NO. 9.

(N)
 (N)

ISSUE DATE:
 September 19, 2022

Issued Under Transmittal No. 125
 Vice President-Regulatory Operations
 100 CenturyLink Drive
 Monroe, Louisiana 71203

EFFECTIVE DATE:
 October 4, 2022

ACCESS SERVICE

6. Switched Access Service (Cont'd)

6.8 Rates and Charges (Cont'd)

6.8.2 Switched Transport (Cont'd)

(G) CCS/SS7 Interconnection Service (Cont'd)

(5) Originating Point Code (OPC)

- Per OPC, Per Service, Added or Changed, Per STP Pair

	<u>Nonrecurring Charges</u>	
Florida	\$22.30	(D)
Minnesota	\$22.00	
Oregon	\$26.00	(D)
Washington	\$26.00	(D)

Material deleted from this page now appears in Brightspeed Local Operating Companies Tariff F.C.C. NO. 9. (N)
(N)

ISSUE DATE:
September 19, 2022

Issued Under Transmittal No. 125
 Vice President-Regulatory Operations
 100 CenturyLink Drive
 Monroe, Louisiana 71203

EFFECTIVE DATE:
October 4, 2022

ACCESS SERVICE

6. Switched Access Service (Cont'd)

6.8 Rates and Charges (Cont'd)

6.8.2 Switched Transport (Cont'd)

(G) CCS/SS7 Interconnection Service (Cont'd)

(6) Global Title Address Translation

- Per Service, Added or Changed, Per STP Pair

	<u>Nonrecurring Charges</u>	
Florida	\$11.15	
Minnesota	\$11.00	(D)
		(D)
Oregon	\$13.20	
		(D)
		(D)
Washington	\$13.20	

(D)

Material deleted from this page now appears in Brightspeed Local Operating Companies Tariff F.C.C. NO. 9.

(N)
(N)

ISSUE DATE:
September 19, 2022

Issued Under Transmittal No. 125
 Vice President-Regulatory Operations
 100 CenturyLink Drive
 Monroe, Louisiana 71203

EFFECTIVE DATE:
October 4, 2022

ACCESS SERVICE

6. Switched Access Service (Cont'd)6.8 Rates and Charges (Cont'd)6.8.3 Local Switching

LS1 – Originating and Terminating Feature Group A and Feature Group B

Rate Per Access Minute

	Originating		Terminating
	Toll Free	Non-Toll Free	
Florida	\$0.000000 (R)	\$0.003568	\$0.000000
Minnesota	\$0.000000 (R)	\$0.003983	\$0.000000
Nebraska	\$0.000000 (R)	\$0.003983	\$0.000000
Nevada	\$0.000000 (R)	\$0.004130	\$0.000000
Oregon	\$0.000000 (R)	\$0.003770	\$0.000000
Washington	\$0.000000 (R)	\$0.003770	\$0.000000
Wyoming	\$0.000000 (R)	\$0.003983	\$0.000000

ISSUE DATE:
June 16, 2023Issued Under Transmittal No. 128
Vice President-Regulatory Operations
100 CenturyLink Drive
Monroe, Louisiana 71203EFFECTIVE DATE:
July 1, 2023

ACCESS SERVICE

6. Switched Access Service (Cont'd)6.8 Rates and Charges (Cont'd)6.8.3 Local Switching (Cont'd)

LS2 – Originating and Terminating Feature Group C and Feature Group D

Rate Per Access Minute

	Originating		Terminating
	Toll Free	Non-Toll Free	
Florida	\$0.000000 (R)	\$0.003568	\$0.000000
Minnesota	\$0.000000 (R)	\$0.003983	\$0.000000
Nebraska	\$0.000000 (R)	\$0.003983	\$0.000000
Nevada	\$0.000000 (R)	\$0.004130	\$0.000000
Oregon	\$0.000000 (R)	\$0.003770	\$0.000000
Washington	\$0.000000 (R)	\$0.003770	\$0.000000
Wyoming	\$0.000000 (R)	\$0.003983	\$0.000000

ISSUE DATE:
June 16, 2023Issued Under Transmittal No. 128
Vice President-Regulatory Operations
100 CenturyLink Drive
Monroe, Louisiana 71203EFFECTIVE DATE:
July 1, 2023

ACCESS SERVICE

6. Switched Access Service (Cont'd)

6.8 Rates and Charges (Cont'd)

6.8.3 Local Switching (Cont'd)

(D)

ISSUE DATE:
January 30, 2014

Issued Under Transmittal No. 51
Vice President-Regulatory Operations
100 CenturyLink Drive
Monroe, Louisiana 71203

EFFECTIVE DATE:
February 14, 2014

(D)

ACCESS SERVICE

6. Switched Access Service (Cont'd)

6.8 Rates and Charges (Cont'd)

6.8.3 Local Switching (Cont'd)

(A) Trunk Conversion Change

A nonrecurring charge(s) will apply when a customer requests a conversion of FGD trunks from SS7 signaling to multifrequency signaling as specified below.

- Per 24 Channels Converted or Fraction Thereof

	<u>Nonrecurring Charge</u>	
Florida	\$22.30	(D)
		(D)
Minnesota	\$20.48	(D)
Nebraska	\$20.48	
Nevada	\$22.50	(D)
		(D)
Oregon	\$50.00	(D)
		(D)
Washington	\$50.00	
Wyoming	\$20.48	(D)

* This flat rated charge was calculated based upon a 50/50 split between originating and terminating. The FCC in their FCC 11-161 ICC Transformation Order in Section 51.907(D)(1) allowed Price Cap Carriers to use an equal split to divide the charge between originating and terminating elements. When the terminating portion of the rate is reduced and then combined with the originating portion of the rate, a single flat rate is generated for billing purposes.

(D)

Material deleted from this page now appears in Brightspeed Local Operating Companies Tariff F.C.C. NO. 9.

(N)

(N)

ISSUE DATE:
 September 19, 2022

Issued Under Transmittal No. 125
 Vice President-Regulatory Operations
 100 CenturyLink Drive
 Monroe, Louisiana 71203

EFFECTIVE DATE:
 October 4, 2022

ACCESS SERVICE

6. Switched Access Service (Cont'd)

6.8 Rates and Charges (Cont'd)

6.8.3 Local Switching (Cont'd)

(B) End Office to Tandem Rearrangement Charge *

A nonrecurring charge(s), as specified below, will apply when a customer requests end office or tandem rearrangement of FGD trunks as set forth in 6.7.1(C)(3) preceding.

- Per 24 Channels Converted or Fraction Thereof

	<u>Nonrecurring Charge</u>	
Florida	\$28.00	(D)
		(D)
Minnesota	\$23.45	(D)
Nebraska	\$23.45	
Nevada	\$27.50	(D)
		(D)
Oregon	\$35.00	(D)
		(D)
Washington	\$35.00	
Wyoming	\$23.45	(D)

* This flat rated charge was calculated based upon a 50/50 split between originating and terminating. The FCC in their FCC 11-161 ICC Transformation Order in Section 51.907(D)(1) allowed Price Cap Carriers to use an equal split to divide the charge between originating and terminating elements. When the terminating portion of the rate is reduced and then combined with the originating portion of the rate, a single flat rate is generated for billing purposes.

Material deleted from this page now appears in Brightspeed Local Operating Companies Tariff F.C.C. NO. 9.

ISSUE DATE:
 September 19, 2022

Issued Under Transmittal No. 125
 Vice President-Regulatory Operations
 100 CenturyLink Drive
 Monroe, Louisiana 71203

EFFECTIVE DATE:
 October 4, 2022

(D)
 (N)
 (N)

ACCESS SERVICE

6. Switched Access Service (Cont'd)

6.8 Rates and Charges (Cont'd)

6.8.3 Local Switching (Cont'd)

(C) Carrier Selection Parameter Charge *

A nonrecurring charge, as specified below, will apply when a customer requests the Carrier Selection Parameter optional feature described in 6.3(JJ) preceding. This charge does not apply if the feature is installed coincident with the initial installation of a service.

- Per End Office Equipped

	<u>Nonrecurring Charge</u>	
Florida	\$9.35	(D)
		(D)
Minnesota	\$7.80	(D)
Nebraska	\$7.80	
Nevada	\$12.50	(D)
		(D)
Oregon	\$11.50	(D)
		(D)
Washington	\$11.50	
Wyoming	\$7.80	

* This flat rated charge was calculated based upon a 50/50 split between originating and terminating. The FCC in their FCC 11-161 ICC Transformation Order in Section 51.907(D)(1) allowed Price Cap Carriers to use an equal split to divide the charge between originating and terminating elements. When the terminating portion of the rate is reduced and then combined with the originating portion of the rate, a single flat rate is generated for billing purposes.

(D)

Material deleted from this page now appears in Brightspeed Local Operating Companies Tariff F.C.C. NO. 9.

(N)

(N)

ISSUE DATE:
September 19, 2022

Issued Under Transmittal No. 125
 Vice President-Regulatory Operations
 100 CenturyLink Drive
 Monroe, Louisiana 71203

EFFECTIVE DATE:
October 4, 2022

ACCESS SERVICE

6. Switched Access Service (Cont'd)6.8 Rates and Charges (Cont'd)6.8.3 Local Switching (Cont'd)(D) Dedicated Trunk Port

(1) Per DS0

	<u>Monthly Rates</u> *	<u>Originating Portion</u>
Florida	\$2.03	\$2.03
Minnesota	\$1.83	\$1.83
Nebraska	\$1.83	\$1.83
Oregon	\$2.42	\$2.42
Washington	\$2.42	\$2.42
Wyoming	\$1.83	\$1.83

* The End Office Dedicated Trunk Port rate was calculated assuming a 50/50 split of the originating and terminating traffic using this flat-rated port. The FCC in their FCC 11-161 ICC Transformation Order in section 51.907(d)(1) allowed Price Cap Carriers to use an equal split to divide the charge between originating and terminating elements. The terminating portion of the rate was reduced and then combined with the originating portion of the rate for a single flat rate.

Material deleted from this page now appears in Brightspeed Local Operating Companies Tariff
F.C.C. NO. 9.

(D)
(D)ISSUE DATE:
September 19, 2022

Issued Under Transmittal No. 125
Vice President-Regulatory Operations
100 CenturyLink Drive
Monroe, Louisiana 71203

EFFECTIVE DATE:
October 4, 2022

ACCESS SERVICE

6. Switched Access Service (Cont'd)

6.8 Rates and Charges (Cont'd)

6.8.3 Local Switching (Cont'd)

(D) Dedicated Trunk Port (Cont'd)

(2) Per DS1

	<u>Monthly Rates</u> *	<u>Originating Portion</u>
Florida	\$46.79	\$46.79
Minnesota	\$46.70	\$46.70
Nebraska	\$46.70	\$46.70
Oregon	\$50.00	\$50.00
Washington	\$50.00	\$50.00
Wyoming	\$46.70	\$46.70

(D)
 (D)
 (D)
 (D)
 (D)
 (D)

* The End Office Dedicated Trunk Port rate was calculated assuming a 50/50 split of the originating and terminating traffic using this flat-rated port. The FCC in their FCC 11-161 ICC Transformation Order in section 51.907(d)(1) allowed Price Cap Carriers to use an equal split to divide the charge between originating and terminating elements. The terminating portion of the rate was reduced and then combined with the originating portion of the rate for a single flat rate.

(D)

Material deleted from this page now appears in Brightspeed Local Operating Companies Tariff F.C.C. NO. 9.

(N)
 (N)

ISSUE DATE:
 September 19, 2022

Issued Under Transmittal No. 125
 Vice President-Regulatory Operations
 100 CenturyLink Drive
 Monroe, Louisiana 71203

EFFECTIVE DATE:
 October 4, 2022

ACCESS SERVICE

6. Switched Access Service (Cont'd)6.8 Rates and Charges (Cont'd)6.8.3 Local Switching (Cont'd)(E) Common Trunk Port

Rate Per Access Minute

	Originating		Terminating
	<u>Toll Free</u>	<u>Non-Toll Free</u>	
Florida	\$0.000000 (R)	\$0.000557	\$0.000000
Minnesota	\$0.000000 (R)	\$0.000498	\$0.000000
Nebraska	\$0.000000 (R)	\$0.000498	\$0.000000
Nevada	\$0.000000 (R)	\$0.000363	\$0.000000
Oregon	\$0.000000 (R)	\$0.000428	\$0.000000
Washington	\$0.000000 (R)	\$0.000428	\$0.000000
Wyoming	\$0.000000 (R)	\$0.000498	\$0.000000

ISSUE DATE:
June 16, 2023Issued Under Transmittal No. 128
Vice President-Regulatory Operations
100 CenturyLink Drive
Monroe, Louisiana 71203EFFECTIVE DATE:
July 1, 2023

ACCESS SERVICE

6. Switched Access Service (Cont'd)

6.8 Rates and Charges (Cont'd)

6.8.4 Toll Free Code (TFC) Access Service

(A) TFC Access Service Data Base Query

- Per Query

	<u>Rate</u>
Florida	\$0.0002 (R)
Minnesota	\$0.0002 (R)
Nebraska	\$0.0002 (R)
Nevada	\$0.0002 (R)
Oregon	\$0.0002 (R)
Washington	\$0.0002 (R)
Wyoming	\$0.0002 (R)

ISSUE DATE:
June 16, 2023

Issued Under Transmittal No. 128
Vice President-Regulatory Operations
100 CenturyLink Drive
Monroe, Louisiana 71203

EFFECTIVE DATE:
July 1, 2023

ACCESS SERVICE

6. Switched Access Service (Cont'd)

6.8 Rates and Charges (Cont'd)

6.8.4 Toll Free Code (TFC) Access Service

(B) TFC Data Base Optional Service Features

- Per Query

	<u>Rate</u>	
Florida	\$0.000000	(D)
		(D)
Minnesota	\$0.000000	(D)
Nebraska	\$0.000000	(D)
Nevada	\$0.000000	(D)
		(D)
Oregon	\$0.000000	(D)
		(D)
Washington	\$0.000000	(D)
Wyoming	\$0.000000	(D)

[1] When a combination of one or more TFC Data Base Optional Features is used, only one charge will apply.

(D)

Material deleted from this page now appears in Brightspeed Local Operating Companies Tariff F.C.C. NO. 9.

(N)

(N)

ISSUE DATE:
 September 19, 2022

Issued Under Transmittal No. 125
 Vice President-Regulatory Operations
 100 CenturyLink Drive
 Monroe, Louisiana 71203

EFFECTIVE DATE:
 October 4, 2022

ACCESS SERVICE

6. Switched Access Service (Cont'd)

6.8 Rates and Charges (Cont'd)

6.8.5 900 Access Service

(A) Assembly of Route Pattern

- Per End Office Switch
 (including end office collocated with access tandem)

	<u>Nonrecurring Charges</u>	
Florida	\$16.90	(D)
		(D)
Minnesota	\$25.50	(D)
Nebraska	\$25.50	(D)
Nevada	\$40.00	(D)
		(D)
Oregon	\$12.50	(D)
		(D)
		(D)
Washington	\$12.50	
Wyoming	\$25.50	

Material deleted from this page now appears in Brightspeed Local Operating Companies Tariff
 F.C.C. NO. 9.

(D)
 (N)
 (N)

ISSUE DATE:
 September 19, 2022

Issued Under Transmittal No. 125
 Vice President-Regulatory Operations
 100 CenturyLink Drive
 Monroe, Louisiana 71203

EFFECTIVE DATE:
 October 4, 2022

ACCESS SERVICE

6. Switched Access Service (Cont'd)

6.8 Rates and Charges (Cont'd)

6.8.5 900 Access Service (Cont'd)

(B) 900 NXX Code Activation or Deactivation

- Per NXX Code Added or Deleted Per End Office

	<u>Nonrecurring Charges</u>	
Florida	\$6.30	(D)
		(D)
Minnesota	\$7.50	(D)
Nebraska	\$7.50	(D)
Nevada	\$15.00	(D)
		(D)
Oregon	\$5.50	(D)
		(D)
Washington	\$5.50	(D)
Wyoming	\$7.50	(D)

Material deleted from this page now appears in Brightspeed Local Operating Companies Tariff F.C.C. NO. 9.

(D)
(N)
(N)

ISSUE DATE:
September 19, 2022

Issued Under Transmittal No. 125
 Vice President-Regulatory Operations
 100 CenturyLink Drive
 Monroe, Louisiana 71203

EFFECTIVE DATE:
October 4, 2022

ACCESS SERVICE

6. Switched Access Service (Cont'd)

6.8 Rates and Charges (Cont'd)

6.8.6 Interim 500 Access Service

(A) Assembly of Route Pattern – 1 + Dialing

- Per End Office Switch
 (including end office collocated with access tandem)

	<u>Nonrecurring Charges</u>	
Florida	\$33.50	(D)
		(D)
Minnesota	\$40.00	(D)
Nebraska	\$40.00	(D)
Nevada	\$42.00	(D)
		(D)
Oregon	\$30.00	(D)
		(D)
		(D)
Washington	\$30.00	
Wyoming	\$40.00	

Material deleted from this page now appears in Brightspeed Local Operating Companies Tariff F.C.C. NO. 9.

(D)
(N)
(N)

ISSUE DATE:
 September 19, 2022

Issued Under Transmittal No. 125
 Vice President-Regulatory Operations
 100 CenturyLink Drive
 Monroe, Louisiana 71203

EFFECTIVE DATE:
 October 4, 2022

ACCESS SERVICE

6. Switched Access Service (Cont'd)

6.8 Rates and Charges (Cont'd)

6.8.6 Interim 500 Access Service (Cont'd)

(B) 500 NXX Code Activation or Deactivation – 1 + Dialing

- Per NXX Code Added or Deleted Per End Office

	<u>Nonrecurring Charges</u>	
Florida	\$11.20	(D)
		(D)
Minnesota	\$12.35	(D)
Nebraska	\$12.35	(D)
Nevada	\$15.00	(D)
		(D)
Oregon	\$10.00	(D)
		(D)
Washington	\$10.00	(D)
Wyoming	\$12.35	(D)

Material deleted from this page now appears in Brightspeed Local Operating Companies Tariff F.C.C. NO. 9.

(D)
(N)
(N)

ISSUE DATE:
September 19, 2022

Issued Under Transmittal No. 125
 Vice President-Regulatory Operations
 100 CenturyLink Drive
 Monroe, Louisiana 71203

EFFECTIVE DATE:
October 4, 2022

ACCESS SERVICE

6. Switched Access Service (Cont'd)

6.8 Rates and Charges (Cont'd)

6.8.6 Interim 500 Access Service (Cont'd)

(C) Assembly of Route Pattern – 0 + Dialing

- Per End Office Switch
 (including end office collocated with access tandem)

	<u>Nonrecurring Charges</u>	
Florida	\$33.50	(D)
		(D)
Minnesota	\$38.00	(D)
Nebraska	\$38.00	(D)
Nevada	\$42.00	(D)
		(D)
Oregon	\$30.00	(D)
		(D)
		(D)
Washington	\$30.00	(D)
Wyoming	\$38.00	(D)

Material deleted from this page now appears in Brightspeed Local Operating Companies Tariff F.C.C. NO. 9.

(D)
 (N)
 (N)

ISSUE DATE:
 September 19, 2022

Issued Under Transmittal No. 125
 Vice President-Regulatory Operations
 100 CenturyLink Drive
 Monroe, Louisiana 71203

EFFECTIVE DATE:
 October 4, 2022

ACCESS SERVICE

6. Switched Access Service (Cont'd)

6.8 Rates and Charges (Cont'd)

6.8.6 Interim 500 Access Service (Cont'd)

(D) 500 NXX Code Activation or Deactivation – 0 + Dialing

- Per NXX Code Added or Deleted Per End Office

	<u>Nonrecurring Charges</u>	
Florida	\$11.20	(D)
		(D)
Minnesota	\$12.25	(D)
Nebraska	\$12.25	(D)
Nevada	\$15.00	(D)
		(D)
Oregon	\$10.00	(D)
		(D)
Washington	\$10.00	(D)
Wyoming	\$12.25	(D)

Material deleted from this page now appears in Brightspeed Local Operating Companies Tariff F.C.C. NO. 9.

(D)
(N)
(N)

ISSUE DATE:
September 19, 2022

Issued Under Transmittal No. 125
 Vice President-Regulatory Operations
 100 CenturyLink Drive
 Monroe, Louisiana 71203

EFFECTIVE DATE:
October 4, 2022

ACCESS SERVICE

6. Switched Access Service (Cont'd)

6.8 Rates and Charges (Cont'd)

6.8.6 Interim 500 Access Service (Cont'd)

(E) Pass-Through Charge

- Per Query Translation

	<u>Rate Per Query</u>	
Florida	\$0.010000	(D)
Minnesota	\$0.005602	(D)
Nebraska	GAR	(D)
Nevada	ICB	(D)
Oregon	GAR	(D)
Washington	GAR	(D)
Wyoming	GAR	(D)

Material deleted from this page now appears in Brightspeed Local Operating Companies Tariff F.C.C. NO. 9.

(D)
(N)
(N)

ISSUE DATE:
September 19, 2022

Issued Under Transmittal No. 125
 Vice President-Regulatory Operations
 100 CenturyLink Drive
 Monroe, Louisiana 71203

EFFECTIVE DATE:
October 4, 2022

ACCESS SERVICE

6. Switched Access Service (Cont'd)

6.9 Individual Case Filings

Rates and charges for Switched Access Service provided on an individual case basis are filed following:

ISSUE DATE:
February 28, 2011

Issued Under Transmittal No. 1
Vice President-Regulatory Operations
100 CenturyLink Drive
Monroe, Louisiana 71203

EFFECTIVE DATE:
March 1, 2011

ACCESS SERVICE

7. Special Access Service

As of August 1, 2017, Special Access Services were changed to a competitive or non-competitive designation. Non-Competitive End-User Channel Termination (EUCT) services are filed as part of this tariff and remain under Price Cap Regulation. Other Special Access Services required to complete the circuit are outside this tariff and can be accessed at the Company's website or Company's other designated location.

The following areas are deemed Non-Competitive for Special Access EUCTs covered by this tariff.

FLORIDA					
Serving Wire Center	8-Digit CLLI Code	Serving Wire Center	8-Digit CLLI Code	Serving Wire Center	8-Digit CLLI Code
Alford	ALFRFLXA	La Belle	LBLLFLXA	Panacea	PANCFLXA
Arcadia	ARCDLFLXA	Lee	LEE FLXA	Reynolds Hill	RYHLFLXA
Avon Park	AVPKFLXA	Lake Placid	LKPCFLXA	Sebring	SBNGFLXA
Bonifay	BNFYFLXA	Lawtey	LWTYFLXA	Spring Lake	SLHLFLXA
Bushnell	BSHNFLXA	Malone	MALNFLXA	Sneads	SNDSFLXA
Bowling Green	BWLGFLXA	Madison	MDSNFLXA	Sopchoppy	SPCPFLXA
Crawfordville	CFVLFLXA	Monticello	MNTIFLXA	Saint Marks	STMKFLXA
Cherry Lake	CHLKFLXA	Marco Island	MOISFLXA	Starke	STRKFLXA
Clewiston	CLTNFLXA	Moore Haven	MRHNFLXA	Wauchula	WCHLFLXA
Cottdale	CTDLFLXA	Marianna	MRNNFLXA	Williston	WLSTFLXA
Everglades City	EVRGFLXA	North Naples	NNPLFLXA	Wildwood	WLWDFLXA
Grand Ridge	GDRGFLXA	Naples Southeast	NPLSFLXC	Westville	WSTVFLXA
Golden Gate	GLGCFLXA	Naples Moorings	NPLSFLXD	Zolfo Springs	ZLSPFLXA
Greenville	GNVLFLXA	Okeechobee	OKCBFLXA		
Greenwood	GNWDFLXA				
Immokalee	IMKLFLXA				

(D)

(D)

Material deleted from this page now appears in Brightspeed Local Operating Companies Tariff F.C.C. NO. 9.

(N)

(N)

ISSUE DATE: September 19, 2022

Issued Under Transmittal No. 125
Vice President-Regulatory Operations
100 CenturyLink Drive
Monroe, Louisiana 71203

EFFECTIVE DATE: October 4, 2022

ACCESS SERVICE

7. Special Access Service (Cont'd)

The following areas are deemed Non-Competitive for Special Access End User Channel Terminations (EUCTs) covered by this tariff.

This page is reserved for future use.

(N)

(D)

(D)

Material deleted from this page now appears in Brightspeed Local Operating Companies Tariff F.C.C. NO. 9.

ISSUE DATE:
September 19, 2022

Issued Under Transmittal No. 125
Vice President-Regulatory Operations
100 CenturyLink Drive
Monroe, Louisiana 71203

EFFECTIVE DATE:
October 4, 2022

ACCESS SERVICE

7. Special Access Service (Cont'd)

The following areas are deemed Non-Competitive for Special Access End User Channel Terminations (EUCTs) covered by this tariff.

MINNESOTA					
Serving Wire Center	8-Digit CLLI Code	Serving Wire Center	8-Digit CLLI Code	Serving Wire Center	8-Digit CLLI Code
Aitkin	ATKNMNXA	Brownton	BRTNMNXB	Plato	PLATMNXP
Buffalo Lake	BFLKMNXB	Glencoe	GLCOMNXG	Silver Lake	SLLKMNXS
Bennettville	BNVLMNXB	Lester Prairie	LSPRMNXL	Stewart	STWTMNXS

MISSOURI					
Serving Wire Center	8-Digit CLLI Code	Serving Wire Center	8-Digit CLLI Code	Serving Wire Center	8-Digit CLLI Code
Appleton City	APCYMOXA	Harrisonville	HNVLMOXA	Salem	SALMMOXA
Blackburn	BLBNMOXA	Ionia	IONIMOX	Strasburg	STBGMOXX
Blairtown	BLTWMOXA	Lebanon	LBNNMOXA	Saint Robert	STRBMOXA
Clarksburg	CLBGMOXA			Sweet Springs	SWSPMOXA
Cole Camp	CLCMMOXX	Lincoln	LNCLMOXA	Syracuse	SYRCMOXA
California	CLFRMOXA	Lexington	LXTNMOXA	Tarkio	TARKMOXA
Calhoun	CLHNMOXA	Malta Bend	MLBNMOXA	Tipton	TPTNMOXA
Clinton	CLTNMOXA	Montrose	MTRSMOXA	Urich	URCHMOXA
		Newburg	NWBGMOXA	Wellington	WGTMOXA
Coal	COALMOXA	Odessa	ODSSMOXA	Windsor	WNDSMOXA
Deepwater	DPWRMOXA	Pleasant Hill	PLHLMOXA	Warsaw	WRSWMOXA
Fairfax	FRFXMOXA	Richland	RCLDMOXA	Waverly	WVRLMOXA
Fort Leonard Wood	FTLWMOXA	Rolla	ROLLMOXA	Waynesville	WYVLMOXA

Material deleted from this page now appears in Brightspeed Local Operating Companies Tariff F.C.C. NO. 9.

ISSUE DATE:
September 19, 2022

Issued Under Transmittal No. 125
Vice President-Regulatory Operations
100 CenturyLink Drive
Monroe, Louisiana 71203

EFFECTIVE DATE:
October 4, 2022

(D)

(D)

(N)

(N)

ACCESS SERVICE

7. Special Access Service (Cont'd)

The following areas are deemed Non-Competitive for Special Access End User Channel Terminations (EUCTs) covered by this tariff.

(D)

(D)

NEBRASKA					
Serving Wire Center	8-Digit CLLI Code	Serving Wire Center	8-Digit CLLI Code	Serving Wire Center	8-Digit CLLI Code
Lewellen	LWLNEXU	Oshkosh	OSHKNEXU		

Material deleted from this page now appears in Brightspeed Local Operating Companies Tariff F.C.C. NO. 9.

(N)
(N)

ISSUE DATE:	Issued Under Transmittal No. 125	EFFECTIVE DATE:
September 19, 2022	Vice President-Regulatory Operations	October 4, 2022
	100 CenturyLink Drive	
	Monroe, Louisiana 71203	

ACCESS SERVICE

7. Special Access Service (Cont'd)

The following areas are deemed Non-Competitive for Special Access End User Channel Terminations (EUCTs) covered by this tariff.

(D)

(D)

OREGON					
Serving Wire Center	8-Digit CLLI Code	Serving Wire Center	8-Digit CLLI Code	Serving Wire Center	8-Digit CLLI Code
Arlington	ARTNORXA	Grass Valley	GRVYORXA	Rufus	RUFSORXA
		Moro	MOROORXA	Wasco	WASCORXA

(D)

(D)

Material deleted from this page now appears in Brightspeed Local Operating Companies Tariff F.C.C. NO. 9.

(N)

(N)

ACCESS SERVICE

7. Special Access Service (Cont'd)

The following areas are deemed Non-Competitive for Special Access End User Channel Terminations (EUCTs) covered by this tariff.

This page is reserved for future use.

(N)

(D)

(D)

Material deleted from this page now appears in Brightspeed Local Operating Companies Tariff F.C.C. NO. 9.

(N)
(N)

ACCESS SERVICE

7. Special Access Service (Cont'd)

The following areas are deemed Non-Competitive for Special Access End User Channel Terminations (EUCTs) covered by this tariff.

This page is reserved for future use.

(D)

(D)

Material deleted from this page now appears in Brightspeed Local Operating Companies Tariff F.C.C. NO. 9.

(N)

(N)

ACCESS SERVICE

7. Special Access Service (Cont'd)

The following areas are deemed Non-Competitive for Special Access End User Channel Terminations (EUCTs) covered by this tariff.

WASHINGTON					
Serving Wire Center	8-Digit CLLI Code	Serving Wire Center	8-Digit CLLI Code	Serving Wire Center	8-Digit CLLI Code
Bickleton	BCTNWAXX	Lyle	LYLEWAXA	White Salmon	WHSLWAXX
Dallesport	DLPTWAAC	Mattawa	MTWAWAXA	Willard	WLRDWAXX
Goldendale	GLDLWAXA	Roosevelt	RSVTWAXA	Wishram	WSHRWAXA
Glenwood	GLWDWAXA	Stevenson	STSNWAXA		
Klickitat	KLCTWAXX	Trout Lake	TRLKWAXX		

WYOMING					
Serving Wire Center	8-Digit CLLI Code	Serving Wire Center	8-Digit CLLI Code	Serving Wire Center	8-Digit CLLI Code
Guernsey	GRNSWYXC	Lingle	LINGLWYXC		
Lagrange	LGRNWXCYC	Torrington	TRTNWYXC		

(N)

(N)

ISSUE DATE:
October 17, 2017

Issued Under Transmittal No. 96
Vice President-Regulatory Operations
100 CenturyLink Drive
Monroe, Louisiana 71203

EFFECTIVE DATE:
November 1, 2017

ACCESS SERVICE

7. Special Access Service

7.1 General

Special Access Service provides a transmission path to connect customer designated premises*, either directly or through a Company Hub where bridging or multiplexing functions are performed, or to connect a customer designated premises and a WATS Serving Office. Special Access Service includes all exchange access not utilizing Company end office switches.

The connections provided by Special Access Service can be either analog or digital. Analog connections are differentiated by spectrum and bandwidth. Digital connections are differentiated by bit rate.

The provision of Special Access in all situations is dependent upon the availability of Company plant and equipment.

* Company Centrex CO-like switches are considered to be customer premises for purposes of this tariff.

(M)

(C)
(C)

(C)

(D)
(D)
(D)
(D)

(M)

(M) – Material moved from Page 7-1.

ACCESS SERVICE

7. Special Access Service (Cont'd)7.1 General (Cont'd)7.1.1 Channel Types

Each type of Special Access Channel has its own characteristics. All are subdivided by one or more of the following:

(C)

- Transmission specifications,
- Bandwidth,
- Speed (i.e., bit rate),
- Spectrum

The Customer can order a basic channel and select from a list of available transmission parameters, interface combinations, and optional features to design a channel which meets the Customer's specific communications needs.

For purposes of ordering channels, each has been identified as a type of Special Access Service. However, such identification is not intended to limit a customer's use of the channel nor to imply that the channel is limited to a particular use.

ISSUE DATE:
October 17, 2017

Issued Under Transmittal No. 96
Vice President-Regulatory Operations
100 CenturyLink Drive
Monroe, Louisiana 71203

EFFECTIVE DATE:
November 1, 2017

ACCESS SERVICE

7. Special Access Service (Cont'd)

7.1 General (Cont'd)

7.1.1 Channel Types (Cont'd)

Following is a brief description of each type of Non-Competitive End User Channel Termination (EUCT) found in this tariff:

[1] Voice Grade - A channel for the transmission of analog signals within an approximate bandwidth of 300-3000 Hz. (C)

[1] Program Audio - A channel for the transmission of audio signals. The nominal frequency bandwidths are from 300 Hz to 2500 Hz, from 200 to 3500 Hz, from 100 to 5000 Hz, from 50 to 8000 Hz, or from 50 to 15000 Hz. (C)

[1] Video - A channel for the transmission of a standard 525 line/60 field monochrome or National Television Systems Committee color video signal and up to four associated 5 or 15 kHz audio signals. The bandwidth for a video channel is either 30 Hz to 4.5 MHz or 30 Hz to 6.6 Mhz. (C)

[1] Digital Data - A channel for the digital transmission of synchronous serial data at rates of 2.4, 4.8, 9.6, 19.2, 56.0 or 64.0 kbps. (C)

High Capacity - A channel for the transmission of isochronous serial digital data at rates of 1.544 (DS1) or 44.736 (DS3) Mbps.

[1] **Effective February 1, 2020, Voice Grade, Program Audio, Analog Video and Digital Data Services are grandfathered. Availability to current customers who are not under contract is limited to circuits already in place at existing locations. Customers under existing contracts will be allowed to place new orders and moves only to the extent permitted by their contracts. Existing contracts will not be renewed. When contracts expire, customers may retain their service on a month-to-month basis and will be limited to in-service circuits at existing locations.**

(N)
|
(N)

ISSUE DATE:
January 17, 2020

Issued Under Transmittal No. 110
Vice President-Public Policy & Compliance
100 CenturyLink Drive
Monroe, Louisiana 71203

EFFECTIVE DATE:
February 1, 2020

ACCESS SERVICE

7 Special Access Service (Cont'd)

7.1 General (Cont'd)

7.1.1 Channel Types (Cont'd)

(D)

Detailed descriptions of each of the channel types are provided in 7.2 following.

The customer also has the option of ordering high capacity Non-Competitive End User Channel Terminations (EUCTs) (e.g., 1.544 or 44.736 Mbps) to a Telephone Company Hub for multiplexing to individual channels of a lower capacity or bandwidth. Descriptions of the optional features and functions available are also set forth in 7.2 following.

(C)

(C)

(C)

ISSUE DATE:
October 17, 2017

Issued Under Transmittal No. 96
Vice President-Regulatory Operations
100 CenturyLink Drive
Monroe, Louisiana 71203

EFFECTIVE DATE:
November 1, 2017

ACCESS SERVICE

7. Special Access Service (Cont'd)

7.1 General (Cont'd)

(D)

7.1.2 Rate Categories

(D)

The basic rate elements which apply to Special Access Service in this tariff are as follows:

(C)

- Non-Competitive End User Channel Terminations (EUCTs) (described in 7.1.2(A) following)
- Optional Features and Functions

(C)

(D)

(C)

(A) Non-Competitive End User Channel Terminations (EUCTs)

(C)

The Non-Competitive EUCT rate category provides for the communications path between a customer designated premises and the serving wire center or WATS Serving Office of that premises. Included as part of the Non-Competitive EUCT is a standard channel interface arrangement which defines the technical characteristics associated with the type of facilities to which the access service is to be connected at the point of termination (POT) and the type of signaling capability if any. The signaling capability itself is provided as a part of this rate category. One Non-Competitive EUCT charge applies per customer designated premises at which the channel is terminated. Non-Competitive EUCT charges for DS1 and DS3 High Capacity Services may vary based on distance, as set forth in 7.5.8(A) following. Special Access Service used in connection with Switched Access service is provided as set forth in Section 6.1.1.

(C)

(C)

(C)

(C)

ACCESS SERVICE

7. Special Access Service (Cont'd)

7.1 General (Cont'd)

7.1.2 Rate Categories (Cont'd)

(B) Reserved for Future Use

(C)

(D)

(D)

ISSUE DATE:
October 17, 2017

Issued Under Transmittal No. 96
Vice President-Regulatory Operations
100 CenturyLink Drive
Monroe, Louisiana 71203

EFFECTIVE DATE:
November 1, 2017

ACCESS SERVICE

7. Special Access Service (Cont'd)

7.1 General (Cont'd)

7.1.2 Rate Categories (Cont'd)

(C) Optional Features and Functions

Optional Features and Functions may be added to a Special Access Non-Competitive End User Channel Terminations (EUCTs) to improve its quality or utility to meet the Customer's specific communications requirements. These are not necessarily identifiable with specific equipment, but rather represent the end result in terms of performance characteristics which may be obtained. These characteristics may be obtained by using various combination of equipment. Examples of Optional Features and Functions that are available include, but are not limited to, the following:

(C)

- Conditioning
- Bridging

(D)

Descriptions for each of the available Optional Features and Functions are set forth in 7.2 following

ISSUE DATE:
October 17, 2017

Issued Under Transmittal No. 96
Vice President-Regulatory Operations
100 CenturyLink Drive
Monroe, Louisiana 71203

EFFECTIVE DATE:
November 1, 2017

ACCESS SERVICE

7. Special Access Service (Cont'd)

7.1 General (Cont'd)

7.1.3 Service Configurations

There are three types of service configurations over which Special Access Services are provided: two-point service, multipoint service and extension service.

(A) Two-Point Service

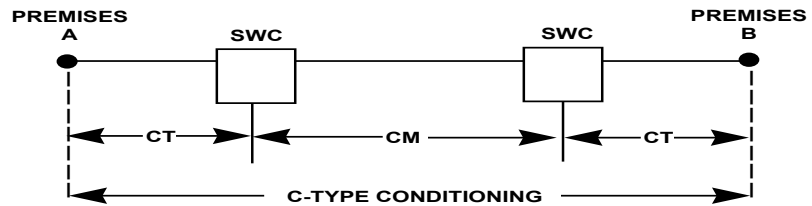
A two-point service connects two customer designated premises, either on a directly connected basis or through a Hub where multiplexing functions are performed, or a customer designated premises and a WATS Serving Office. All types of Special Access Service may be provided as two-point service.

Applicable rate elements in this tariff are:

- Non-Competitive End User Channel Terminations (EUCTs)
- Optional Features and Functions (when applicable)

In addition, a Special Access Surcharge as set forth in 7.4.2 following may be applicable.

The following diagram depicts a two-point Voice Grade service connecting two customer designated premises located 15 miles apart. The service is provided with C-Type Conditioning. The rate elements found in this tariff are the End User Channel Termination services in a Serving Wire Center designated as Non-Competitive.



CT - Channel Termination
 CM - Channel Mileage
 SWC - Serving Wire Center

ISSUE DATE:
 October 17, 2017

Issued Under Transmittal No. 96
 Vice President-Regulatory Operations
 100 CenturyLink Drive
 Monroe, Louisiana 71203

EFFECTIVE DATE:
 November 1, 2017

ACCESS SERVICE

7. Special Access Service (Cont'd)7.1 General (Cont'd)7.1.3 Service Configurations (Cont'd)(A) Two-Point Service (Cont'd)

Applicable rate elements for the preceding diagram are:

- Non-Competitive End User Channel Terminations (EUCTS) (C)
(2 applicable)
- Channel Mileage (1 Termination and 15 Facility)
- C-Type Conditioning Optional Feature

(B) Multipoint Service

Multipoint service connects three or more customer designated premises through a Company Hub. There is no limitation on the number of mid-links available with multipoint service. However, when more than three mid-links are provided in tandem, the quality of the service may be degraded. A mid-link which is not included in this tariff is a channel between Hubs (i.e., bridging locations). Only certain types of Special Access Service are provided as multipoint service. These are so designated in the Service Descriptions set forth in 7.2 following. (C)

Multipoint service utilizing a customized technical specifications package as set forth in 7.2 following will be provided when technically possible. If the Company determines that the requested characteristics for a multipoint service are not compatible, the customer will be advised and given the opportunity to change the order. (C)

When ordering, the customer will specify the desired bridging Hub(s) selected from the National Exchange Carrier Association, Inc. Tariff F.C.C. No. 4. This tariff identifies the type(s) of bridging functions which are available and the serving wire centers at which they are available.

ISSUE DATE:
October 17, 2017

Issued Under Transmittal No. 96
Vice President-Regulatory Operations
100 CenturyLink Drive
Monroe, Louisiana 71203

EFFECTIVE DATE:
November 1, 2017

ACCESS SERVICE

7. Special Access Service (Cont'd)

7.1 General (Cont'd)

7.1.3 Service Configurations (Cont'd)

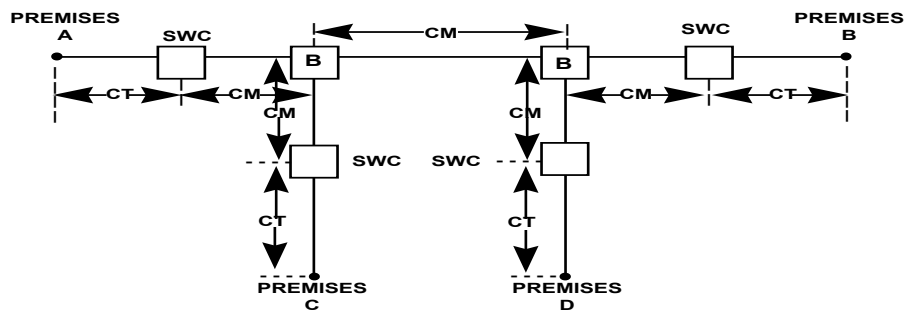
(B) Multipoint Service (Cont'd)

Applicable Rate Elements in this tariff are:

- Non-Competitive End User Channel Terminations (EUCTs) (one per customer designated premises) (C)
- Bridging (D)
- Additional Optional Features (when applicable) (D)

In addition, the Special Access Surcharge as set forth in 7.4.2 following may be applicable.

The following diagram depicts a Voice Grade multipoint service connecting four customer premises via two customer specified bridging hubs. The rate elements found in this tariff are the Non-Competitive (EUCT) in a Serving Wire Center designated as Non-Competitive. (C)



CT - Channel Termination
 CM - Channel Mileage
 B - Bridging
 SWC - Serving Wire Center

ACCESS SERVICE

7. Special Access Service (Cont'd)7.1 General (Cont'd)7.1.3 Service Configurations (Cont'd)(B) Multipoint Service (Cont'd)

Applicable rate elements for the preceding diagram are: (C)

- Non-Competitive End User Channel Terminations (EUCTs) (4 applicable) (C)
- Channel Mileage (5 sections, Termination and Facility as appropriate)
- Bridging (6 applicable, i.e., each bridge port)

(C) Extension Service

Special Access Service utilized for connection with Feature Group A Switched Access Service is available with extensions, i.e., additional terminations of the service at different building(s) in the same or a different exchange. Feature Group A extensions within the same exchange are charged for under the Company's local and/or general exchange service tariffs. Feature Group A extensions in different exchanges and Voice Grade extensions in the same or different exchanges are charged for as Special Access Service. The rate elements which apply are: the Voice Grade Non-Competitive EUCT and Voice Bridging, if applicable. All appropriate monthly rates and nonrecurring charges for the Non-Competitive EUCTs are set forth in 7.5.2 following will apply. Such extensions are ordered as set forth in 5.2 preceding. (C)

ISSUE DATE:
October 17, 2017

Issued Under Transmittal No. 96
Vice President-Regulatory Operations
100 CenturyLink Drive
Monroe, Louisiana 71203

EFFECTIVE DATE:
November 1, 2017

ACCESS SERVICE

7. Special Access Service (Cont'd)7.1 General (Cont'd)7.1.4 Alternate Use

Alternate use occurs when a Customer uses a service for different types of transmission at different times. The Customer may transfer from one type of operation to another at will. A Customer may use transmission services in any privately beneficial way but, where technical or engineering changes are required to effectuate an alternate use, charges set forth in Section 13 of this tariff may be applicable.

The arrangement required to transfer the service from one operation to the other (i.e., the transfer relay and control leads) will be rated and provided on an individual case basis and filed in Section 12, Specialized Service or Arrangements. The customer will pay the stated tariff rates for the Access Service rate elements for the service ordered (i.e., Non-Competitive End User Channel Terminations (EUCTs) and Optional Features [if any]).

(C)
(C)

Alternate uses will be allowed provided that such use meets the technical protection parameters as set forth in Section 7.2.

7.1.5 Special Facilities Routing

A customer may request that the facilities used to provide Special Access Service be specially routed. The regulations, rates and charges for Special Facilities Routing (i.e., Avoidance, Diversity and Cable-Only) are set forth in Section 11 following.

ISSUE DATE:
October 17, 2017

Issued Under Transmittal No. 96
Vice President-Regulatory Operations
100 CenturyLink Drive
Monroe, Louisiana 71203

EFFECTIVE DATE:
November 1, 2017

ACCESS SERVICE

7. Special Access Service (Cont'd)7.1 General (Cont'd)7.1.6 Design Layout Report

At the request of the customer, the Company will provide to the customer the make-up of the facilities and services provided under this tariff as Special Access Service to aid the customer in designing its overall service. This information will be provided in the form of a Design Layout Report. The Design Layout Report will be provided to the customer at no charge, and will be reissued or updated whenever these facilities are materially changed. (C)

7.1.7 Acceptance Testing

At no additional charge, the Company will, at the customer's request, cooperatively test, at the time of installation, the following parameters: (C)

(A) For Voice Grade (VG) Non-Competitive End User Channel Terminations (EUCTs): loss, 3-tone slope, d.c. continuity and operational signaling, where technically appropriate. Where a four-wire voice transmission interface provides two-wire voice transmission, (i.e., there is a four-wire to two-wire conversion), balance (equal level echo path loss) will also be tested. Additionally, C-notched noise and C-message noise tests will be provided where technically appropriate, as well as frequency response, harmonic distortion, phase jitter, impulse noise and delay distortion for all analog facilities. (C)

(B) All other Special Access Non-Competitive EUCTs will be tested to the performance parameters specified for the individual services. (C)

Additional tests may be ordered as set forth in 13.1.10 following. Charges for these additional tests are set forth in 13.2 and 13.3.1(A).

ISSUE DATE:
October 17, 2017

Issued Under Transmittal No. 96
Vice President-Regulatory Operations
100 CenturyLink Drive
Monroe, Louisiana 71203

EFFECTIVE DATE:
November 1, 2017

ACCESS SERVICE

7. Special Access Service (Cont'd)

7.1 General (Cont'd)

7.1.8 Ordering Options and Conditions

Special Access Non-Competitive End User Channel Terminations (EUCTs) are ordered under the Access Order provisions set forth in Section 5 preceding. Also included in that section are other charges which may be associated with ordering Special Access Non-Competitive EUCTs (e.g. Access Order Charges, Service Date Change Charges, Design Change Charges, etc.).

(C)

(C)

ISSUE DATE:
October 17, 2017

Issued Under Transmittal No. 96
Vice President-Regulatory Operations
100 CenturyLink Drive
Monroe, Louisiana 71203

EFFECTIVE DATE:
November 1, 2017

ACCESS SERVICE

7. Special Access Service (Cont'd)

7.2 Service Descriptions

For the purposes of ordering, following are the categories of Special Access Non-Competitive End User Channel Terminations (EUCTs). These are:

Voice Grade ^[1]	(VG)	(C)
Program Audio ^[1]	(AP)	(C)
Video ^[1]	(TV)	(C)
Digital Data ^[1]	(DA)	(C)
High Capacity	(HC)	

Each service consists of a basic channel to which a technical specifications package (customized or predefined), channel interface(s) and, when desired, optional features and functions are added to construct the service desired by the customer. Each of the components of the service is described in this section.

Customized technical specifications packages will be provided where technically feasible. If the Company determines that the requested parameter specifications are not compatible, the customer will be advised and given the opportunity to change the order.

When a customized channel is ordered the customer will be notified whether Additional Labor Charges apply. In such cases, the customer will be given an estimate of the hours to be billed before any further action is taken on the order.

^[1] **Effective February 1, 2020, Voice Grade, Program Audio, Analog Video and Digital Data Services are grandfathered. Availability to current customers who are not under contract is limited to circuits already in place at existing locations. Customers under existing contracts will be allowed to place new orders and moves only to the extent permitted by their contracts. Existing contracts will not be renewed. When contracts expire, customers may retain their service on a month-to-month basis and will be limited to in-service circuits at existing locations.**

(N)
 |
 (N)

ISSUE DATE:
 January 17, 2020

Issued Under Transmittal No. 110
 Vice President-Public Policy & Compliance
 100 CenturyLink Drive
 Monroe, Louisiana 71203

EFFECTIVE DATE:
 February 1, 2020

ACCESS SERVICE

7. Special Access Service (Cont'd)7.2 Service Descriptions (Cont'd)

The channel description specifies the characteristics of the basic channel and indicates whether the channel is provided between customer designated premises, between a customer designated premises and a Telephone Company Hub where bridging or multiplexing functions are performed, or between a customer designated premises and a WATS Serving Office.

Information pertaining to the technical specifications packages indicates the transmission parameters that are available with each package. This information is displayed in a matrix with the transmission parameters listed down the left side and the packages listed across the top. Each package is identified by a code, e.g., VGC. The first two letters of the code indicate the category of Special Access Service to which the parameters are applicable. These two letter codes are shown above in parentheses following the category of Special Access Service. The letter "C" following the two letter code indicates the technical specifications package for a customized service. A numeric or alpha-numeric designation following the two letter code indicates the specific predefined package. For a customized service, the customer may select any parameters available with that category of service as long as the parameters are compatible. When appropriate, the Technical Reference which contains detailed specifications for the parameters is shown following the matrix.

Channel interfaces at each point of termination on a two-point service may be symmetrical or asymmetrical. On a multipoint service they may also be symmetrical or asymmetrical. However, communications can only be provided between points of termination with compatible channel interfaces. Only certain channel interfaces are compatible. These are set forth in 7.3.5 following in a combination format.

Only certain channel interface combinations are available with the predefined technical specifications packages. These are delineated in the Technical References set forth in Section 7.2. When a customized channel is requested, all channel interface combinations available with the specified type of service are available with the customized channel.

ISSUE DATE:
February 28, 2011

Issued Under Transmittal No. 1
Vice President-Regulatory Operations
100 CenturyLink Drive
Monroe, Louisiana 71203

EFFECTIVE DATE:
March 1, 2011

ACCESS SERVICE

7. Special Access Service (Cont'd)

7.2 Service Descriptions (Cont'd)

The optional features and functions available with each type of Special Access Non-Competitive End User Channel Termination (EUCT) are also described in this section. The information indicates with which technical specifications packages the optional features and functions are available. Such information is displayed in a matrix with the optional feature or function listed down the left side and the technical specifications package listed across the top

(C)

The Telephone Company will maintain existing transmission specifications on services installed prior to the effective date of this tariff, except that the existing services with performance specifications exceeding the standard listed in this provision will be maintained at the performance levels specified in this tariff. All services installed after the effective date of this tariff will conform to the transmission specification standards contained in this tariff or in the following Technical Reference Publication for each category of service:

Voice Grade	TR-NWT-000335
Program Audio	GR-337
Video	GR-338
Digital Data	TR-NWT-000341
High Capacity	GR-54 and GR-342

7.2.1 Reserved For Future Use

ISSUE DATE:
October 17, 2017

Issued Under Transmittal No. 96
Vice President-Regulatory Operations
100 CenturyLink Drive
Monroe, Louisiana 71203

EFFECTIVE DATE:
November 1, 2017

ACCESS SERVICE

7. Special Access Service (Cont'd)

7.2 Service Descriptions (Cont'd)

7.2.2 Voice Grade Service ^[1]

(C)

(A) Basic Channel Description

A Voice Grade (VG) Non-Competitive End User Channel Termination (EUCT) is a channel which provides voice frequency transmission capability in the nominal frequency range of 300 to 3000 Hz and may be terminated two-wire or four-wire.

(B) Technical Specifications Packages

Parameter	Package VG-												
	C*	1	2	3	4	5	6	7	8	9	10	11	12
Attenuation													
Distortion	X	X	X	X	X	X	X	X	X	X	X	X	X
C-Message Noise	X	X	X	X	X	X	X	X	X	X	X	X	X
Echo Control	X	X	X	X		X		X	X			X	X
Envelope Delay													
Distortion	X						X	X	X	X	X	X	X
Frequency Shift	X						X	X	X	X	X	X	X
Impulse Noise	X					X	X	X	X	X	X	X	X
Intermodulation													
Distortion	X						X	X	X	X	X	X	
Loss Deviation	X	X	X	X	X	X	X	X	X	X	X	X	X
Phase Hits, Gain													
Hits, and													
Dropouts	X												
Phase Jitter	X						X	X	X	X	X	X	
Signal-to-C													
Message Noise					X								
Signal-to-C													
Notch Noise	X					X	X	X	X	X	X	X	X

* The desired parameters are selected by the customer from the list of available parameters.

^[1] **Effective February 1, 2020, Voice Grade Service is grandfathered. Availability to current customers who are not under contract is limited to circuits already in place at existing locations. Customers under existing contracts will be allowed to place new orders and moves only to the extent permitted by their contracts. Existing contracts will not be renewed. When contracts expire, customers may retain their service on a month-to-month basis and will be limited to in-service circuits at existing locations.**

(N)
 |
 (N)

ACCESS SERVICE

7. Special Access Service (Cont'd)

7.2 Service Descriptions (Cont'd)

7.2.2 Voice Grade Service ^[1] (Cont'd)

(C)

(C) Channel Interfaces

The following channel interfaces for Voice Grade service do not require signaling capability: AH, DA, DB, DD, DE, DS, NO, PR and TF.

The following channel interfaces for Voice Grade service require signaling capability: AB, AC, CT, DX, DY, EA, EB, EC, EX, GO, GS, LA, LB, LC, LO, LR, LS, RV and SF.

Compatible channel interfaces are set forth in 7.3.5(B) following.

(D) Optional Features and Functions

(1) Central Office Bridging Capability

- Voice Bridging (two-wire or four-wire): provides for the parallel connection of one voice circuit to another without interrupting the integrity or continuity of the first.
- Data Bridging (two-wire or four-wire): provides for the parallel connection of one data circuit to another without interrupting the integrity or continuity of the first.
- Telephoto Bridging (two-wire or four-wire): provides for the parallel connection of one Telephoto circuit to another without interrupting the integrity or continuity of the first.

^[1] **Effective February 1, 2020, Voice Grade Service is grandfathered. Availability to current customers who are not under contract is limited to circuits already in place at existing locations. Customers under existing contracts will be allowed to place new orders and moves only to the extent permitted by their contracts. Existing contracts will not be renewed. When contracts expire, customers may retain their service on a month-to-month basis and will be limited to in-service circuits at existing locations.**

(N)
|
(N)

ACCESS SERVICE

7. Special Access Service (Cont'd)

7.2 Service Descriptions (Cont'd)

7.2.2 Voice Grade Service ^[1] (Cont'd)

(C)

(D) Optional Features and Functions (Cont'd)

(2) Reserved For Future Use

(3) Loopback Capability

Loopback Capability allows transmission tests of circuits to be performed from the serving central office to the customer premises without the assistance of personnel at the customer premises.

(4) Conditioning

Conditioning provides more specific transmission characteristics for Voice Grade services.

More stringent specifications than those provided with C-Type conditioning are available separately for attenuation distortion and envelope delay distortion. The customer has the option of ordering Improved Attenuation Distortion and/or Improved Envelope Delay Distortion in lieu of C-Type conditioning.

^[1] **Effective February 1, 2020, Voice Grade Service is grandfathered. Availability to current customers who are not under contract is limited to circuits already in place at existing locations. Customers under existing contracts will be allowed to place new orders and moves only to the extent permitted by their contracts. Existing contracts will not be renewed. When contracts expire, customers may retain their service on a month-to-month basis and will be limited to in-service circuits at existing locations.**

(N)

(N)

ACCESS SERVICE

7. Special Access Service (Cont'd)

7.2 Service Descriptions (Cont'd)

7.2.2 Voice Grade Service ^[1] (Cont'd)

(C)

(D) Optional Features and Functions (Cont'd)

(4) Conditioning (Cont'd)

For two-point services, the parameters apply to each point of termination. For multipoint services, the parameters apply to each mid link or end link. C-Type conditioning and Data Capability may be combined on the same service.

(a) C-Type Conditioning

C-Type Conditioning is provided for the additional control of attenuation distortion and envelope delay distortion on data services.

(b) Improved Attenuation Distortion

Improved Attenuation Distortion upgrades the frequency vs. loss response limits.

(c) Improved Envelope Delay Distortion

Improved Envelope Delay Distortion upgrades the frequency vs. delay response limits of the channel.

^[1] **Effective February 1, 2020, Voice Grade Service is grandfathered. Availability to current customers who are not under contract is limited to circuits already in place at existing locations. Customers under existing contracts will be allowed to place new orders and moves only to the extent permitted by their contracts. Existing contracts will not be renewed. When contracts expire, customers may retain their service on a month-to-month basis and will be limited to in-service circuits at existing locations.**

(N)
|
(N)

ACCESS SERVICE

7. Special Access Service (Cont'd)

7.2 Service Descriptions (Cont'd)

7.2.2 Voice Grade Service ^[1] (Cont'd)

(C)

(D) Optional Features and Functions (Cont'd)

(4) Conditioning (Cont'd)

(d) Sealing Current Conditioning

Sealing current conditioning is normally provided by the Telephone Company to ensure continuity on four-wire dry metallic facilities, and is primarily associated with channel interface codes DA and NO. In instances where the Telephone Company does not require the addition of sealing current conditioning to maintain service continuity, customers may order this option to achieve a higher standard of reliability. Customer orders are subject to the rates and charges set forth in 7.5.2(D)(2) following.

(e) Customer Specified Premises Receive Level

This option allows the customer to specify the receive level at the Point of Termination. This level must be within a specific range on effective four-wire transmission.

^[1] **Effective February 1, 2020, Voice Grade Service is grandfathered. Availability to current customers who are not under contract is limited to circuits already in place at existing locations. Customers under existing contracts will be allowed to place new orders and moves only to the extent permitted by their contracts. Existing contracts will not be renewed. When contracts expire, customers may retain their service on a month-to-month basis and will be limited to in-service circuits at existing locations.**

(N)
|
(N)

ACCESS SERVICE

7. Special Access Service (Cont'd)

7.2 Service Descriptions (Cont'd)

7.2.2 Voice Grade Service ^[1] (Cont'd)

(C)

(D) Optional Features and Functions (Cont'd)

(4) Conditioning (Cont'd)

(f) Improved Termination - On Effective Four-Wire Transmission at Four-Wire Point of Termination (applicable to each two-wire port): Provides for a fixed 600 ohm impedance, variable level range and simplex reversal. Telephone Company equipment is required at the customer's premises where this option is ordered.

(g) Improved Return Loss - On Effective Two-Wire Transmission at Two-Wire Point of Termination: Provides for more stringent Echo Control Specifications. In order for this option to be applicable, the transmission path must be four-wire at one POT and two-wire at the other POT. Placement of Telephone Company equipment may be required at the customer's premises with the two-wire POT.

^[1] **Effective February 1, 2020, Voice Grade Service is grandfathered. Availability to current customers who are not under contract is limited to circuits already in place at existing locations. Customers under existing contracts will be allowed to place new orders and moves only to the extent permitted by their contracts. Existing contracts will not be renewed. When contracts expire, customers may retain their service on a month-to-month basis and will be limited to in-service circuits at existing locations.**

(N)
|
(N)

ACCESS SERVICE

7. Special Access Service (Cont'd)

7.2 Service Descriptions (Cont'd)

7.2.2 Voice Grade Service ^[1] (Cont'd)

(C)

(D) Optional Features and Functions (Cont'd)

(4) Conditioning (Cont'd)

(h) DA-Type Conditioning

DA-Type Conditioning provides transmission characteristics suitable for data communications. Specifically, DA-Type Conditioning provides for the control of Signal to C-Notched Noise Ratio and intermodulation distortion. It is available for two-point services or multipoint services.

The Signal to C-Notched Noise Ratio and intermodulation distortion parameters for DA-Type Conditioning are:

- Signal to C-Notched Noise Ratio is equal to or greater than 32dB
- Intermodulation distortion:
- Signal to second order modulation products (R2) is equal to or greater than 38dB
- Signal to third order modulation products (R3) is equal to or greater than 42dB

When a service equipped with DA-Type Conditioning is used for voice communications, the quality of the voice transmission may not be satisfactory.

^[1] **Effective February 1, 2020, Voice Grade Service is grandfathered. Availability to current customers who are not under contract is limited to circuits already in place at existing locations. Customers under existing contracts will be allowed to place new orders and moves only to the extent permitted by their contracts. Existing contracts will not be renewed. When contracts expire, customers may retain their service on a month-to-month basis and will be limited to in-service circuits at existing locations.**

(N)
|
(N)

ACCESS SERVICE

7. Special Access Service (Cont'd)7.2 Service Descriptions (Cont'd)7.2.2 Voice Grade Service ^[1] (Cont'd)

(C)

(D) Optional Features and Functions (Cont'd)(4) Conditioning (Cont'd)(i) Telephoto Capability

Telephoto Capability provides transmission characteristics suitable for telephotographic communications. Specifically, Telephoto Capability is provided for the control of attenuation distortion and envelope delay distortion on telephotographic services. The attenuation distortion and envelope delay distortion parameters for Telephoto Capability are:

Attenuation Distortion
(1004 Hz Reference)

Frequency Range (Hz)	Variation (dB)
500-3000	-0.5 to +1.5
300-3200	-1.0 to +2.5

Envelope Delay Distortion

Frequency Range (Hz)	Variation (microseconds)
1000-2600	≤ 75
800-2800	≤130

^[1] **Effective February 1, 2020, Voice Grade Service is grandfathered. Availability to current customers who are not under contract is limited to circuits already in place at existing locations. Customers under existing contracts will be allowed to place new orders and moves only to the extent permitted by their contracts. Existing contracts will not be renewed. When contracts expire, customers may retain their service on a month-to-month basis and will be limited to in-service circuits at existing locations.**

(N)
|
(N)ISSUE DATE:
January 17, 2020Issued Under Transmittal No. 110
Vice President-Public Policy & Compliance
100 CenturyLink Drive
Monroe, Louisiana 71203EFFECTIVE DATE:
February 1, 2020

ACCESS SERVICE

7. Special Access Service (Cont'd)

7.2 Service Descriptions (Cont'd)

7.2.2 Voice Grade Service ^[1] (Cont'd)

(C)

(D) Optional Features and Functions (Cont'd)

The following table shows the technical specifications packages with which the optional features and functions are available.

	Available with Technical Specifications Package VG-												
	<u>C</u>	<u>1</u>	<u>2</u>	<u>3</u>	<u>4</u>	<u>5</u>	<u>6</u>	<u>7</u>	<u>8</u>	<u>9</u>	<u>10</u>	<u>11</u>	<u>12</u>
C-Type Conditioning Central Office Bridging Capability	X					X	X	X	X	X	X		
Customer Specified Premises Receive Level	X	X	X	X	X	X	X	X	X	X	X	X	X
DA-Type Conditioning Improved Attenuation Distortion	X					X	X	X	X	X	X		
Improved Envelope Delay Distortion	X					X	X	X	X	X	X		
Improved Termination Improved Ret. Loss	X	X	X	X	X	X	X	X	X	X	X	X	X
Loopback Capability Sealing Current Conditioning	X	X	X	X	X	X	X	X	X	X	X	X	X
Telephoto Capability	X											X	

^[1] **Effective February 1, 2020, Voice Grade Service is grandfathered. Availability to current customers who are not under contract is limited to circuits already in place at existing locations. Customers under existing contracts will be allowed to place new orders and moves only to the extent permitted by their contracts. Existing contracts will not be renewed. When contracts expire, customers may retain their service on a month-to-month basis and will be limited to in-service circuits at existing locations.**

(N)
 |
 (N)

ACCESS SERVICE

7. Special Access Service (Cont'd)

7.2 Service Descriptions (Cont'd)

7.2.2 Voice Grade Service ^[1] (Cont'd) (C)

(E) Four-Wire/Two-Wire Conversions

When a customer requests that an effective four-wire channel be terminated with a two-wire channel interface at the customer designated premises, a four-wire to two-wire conversion is required. The rate for the conversion is included as part of the basic Channel Termination rate.

7.2.3 Program Audio Service ^[1] (C)

(A) Basic Channel Description

A Program Audio Non-Competitive End User Channel Termination (EUCT) is a channel measured in Hertz for the transmission of a complex signal voltage. The actual bandwidth is a function of the channel interface selected by the customer. Only one-way transmission is provided.

^[1] **Effective February 1, 2020, Voice Grade and Program Audio Service is grandfathered. Availability to current customers who are not under contract is limited to circuits already in place at existing locations. Customers under existing contracts will be allowed to place new orders and moves only to the extent permitted by their contracts. Existing contracts will not be renewed. When contracts expire, customers may retain their service on a month-to-month basis and will be limited to in-service circuits at existing locations.**

(N)
|
(N)

ACCESS SERVICE

7. Special Access Service (Cont'd)

7.2 Service Descriptions (Cont'd)

7.2.3 Program Audio Service ^[1] (Cont'd)

(C)

(B) Technical Specifications Packages

<u>Parameter</u>	<u>Package AP-</u>					
	<u>C*</u>	<u>0#</u>	<u>1</u>	<u>2</u>	<u>3</u>	<u>4</u>
Actual Measured Loss	X		X	X	X	X
Amplitude Tracking	X					
Crosstalk	X		X	X	X	X
Distortion Tracking	X					
Gain/Frequency						
Distortion	X		X	X	X	X
Group Delay	X					
Noise	X		X	X	X	X
Phase Tracking	X					
Short-Term Gain						
Stability	X					
Short-Term Loss	X					
Total Distortion	X		X	X	X	X

* The desired parameters are selected by the customer from the list of available parameters.

The channel performance for a Program Audio Package AP-0 is determined by the basic subscriber loop facility to which it is assigned. No performance guarantees are stated or implied. AP-0 is offered only on a two point basis without amplification, transmission enhancements or specified transmission parameters.

^[1] **Effective February 1, 2020, Program Audio Service is grandfathered. Availability to current customers who are not under contract is limited to circuits already in place at existing locations. Customers under existing contracts will be allowed to place new orders and moves only to the extent permitted by their contracts. Existing contracts will not be renewed. When contracts expire, customers may retain their service on a month-to-month basis and will be limited to in-service circuits at existing locations.**

(N)
 |
 (N)

ISSUE DATE:
 January 17, 2020

Issued Under Transmittal No. 110
 Vice President-Public Policy & Compliance
 100 CenturyLink Drive
 Monroe, Louisiana 71203

EFFECTIVE DATE:
 February 1, 2020

ACCESS SERVICE

7. Special Access Service (Cont'd)

7.2 Service Descriptions (Cont'd)

7.2.3 Program Audio Service¹ (Cont'd)

(C)

(C) Channel Interfaces

The following channel interfaces (CIs) define the bandwidths that are available for a Program Audio channel:

<u>CI</u>	<u>Bandwidth</u>
PG-0	Nominal frequency from 300 to 2500 Hz
PG-1	Nominal frequency from 50 to 15000 Hz
PG-3	Nominal frequency from 200 to 3500 Hz
PG-5	Nominal frequency from 100 to 5000 Hz
PG-8	Nominal frequency from 50 to 8000 Hz

Compatible channel interfaces are set forth in 7.3.5(C) following.

(D) Optional Features and Functions

(1) Central Office Bridging Capability

Provides for the parallel connection of one virtual circuit to another virtual circuit without interrupting the integrity or continuity of the first.

(2) Gain Conditioning

Control of 1004 Hz AML at initiation of service to 0dB ± 0.5dB.

¹ **Effective February 1, 2020, Program Audio Service is grandfathered. Availability to current customers who are not under contract is limited to circuits already in place at existing locations. Customers under existing contracts will be allowed to place new orders and moves only to the extent permitted by their contracts. Existing contracts will not be renewed. When contracts expire, customers may retain their service on a month-to-month basis and will be limited to in-service circuits at existing locations.**

(N)
 |
 (N)

ACCESS SERVICE

7. Special Access Service (Cont'd)

7.2 Service Descriptions (Cont'd)

7.2.3 Program Audio Service ^[1] (Cont'd)

(C)

(D) Optional Features and Functions (Cont'd)

(3) Stereo

Provision of a pair of gain/phase equalized channels for stereo applications. (Additional AP channel must be ordered separately.)

The following table shows the technical specifications packages with which the optional features and functions are available.

	Available with Technical Specifications Package AP-					
	<u>C</u>	<u>0</u>	<u>1</u>	<u>2</u>	<u>3</u>	<u>4</u>
Central Office Bridging Capability	X		X	X	X	X
Gain Conditioning	X		X	X	X	X
Stereo	X					X

^[1] **Effective February 1, 2020, Program Audio Service is grandfathered. Availability to current customers who are not under contract is limited to circuits already in place at existing locations. Customers under existing contracts will be allowed to place new orders and moves only to the extent permitted by their contracts. Existing contracts will not be renewed. When contracts expire, customers may retain their service on a month-to-month basis and will be limited to in-service circuits at existing locations.**

(N)
 |
 (N)

ACCESS SERVICE

7. Special Access Service (Cont'd)

7.2 Service Descriptions (Cont'd)

7.2.4 Video Service ^[1]

(C)

(A) Basic Channel Description

(1) Analog Video Service

An analog video (TV) Non-Competitive End User Channel Termination (EUCT) is an operational 6.2 Mhz channel with one-way transmission capability for a standard 525 line/60 field monochrome or National Television Systems Committee color video signal and up to four associated 5 to 15 kHz audio signal(s). The associated audio signal(s) may be either diplexed or provided as one or two separate channels. The provision and bandwidth of the associated audio signal(s) is a function of the channel interface selected by the Customer. Analog video service is available where technically feasible.

^[1] **Effective February 1, 2020, Analog Video Service is grandfathered. Availability to current customers who are not under contract is limited to circuits already in place at existing locations. Customers under existing contracts will be allowed to place new orders and moves only to the extent permitted by their contracts. Existing contracts will not be renewed. When contracts expire, customers may retain their service on a month-to-month basis and will be limited to in-service circuits at existing locations.**

(N)

(N)

ACCESS SERVICE

7. Special Access Service (Cont'd)

7.2 Service Descriptions (Cont'd)

7.2.4 Video Service ^[1] (Cont'd)

(C)

(A) Basic Channel Description (Cont'd)

Video services are available on a monthly, daily, or per event basis. Separate nonrecurring installation and Non-Competitive End User Channel Termination (EUCT) rates, as set forth in Section 7.5.4(A) following, apply for monthly and daily video service. The per event option is available to customers ordering video service for not more than 10 days, and includes the installation and Non-Competitive EUCT charges in a single rate as set forth in Section 7.5.4(C) following. For events exceeding 10 days, the monthly or daily recurring and nonrecurring charges will apply.

When special construction of facilities is required for the provision of video services, the rates and regulations set forth in Section 14 following will apply.

For video services, the standby of technician(s) may be required. The Company will inform the Customer of standby charges before providing a Firm Order Confirmation Date. Standby charges are set forth in Section 13.2.

[1] Effective February 1, 2020, Analog Video Service is grandfathered. Availability to current customers who are not under contract is limited to circuits already in place at existing locations. Customers under existing contracts will be allowed to place new orders and moves only to the extent permitted by their contracts. Existing contracts will not be renewed. When contracts expire, customers may retain their service on a month-to-month basis and will be limited to in-service circuits at existing locations.

(N)
|
(N)

ACCESS SERVICE

7. Special Access Service (Cont'd)

7.2 Service Descriptions (Cont'd)

7.2.4 Video Service ^[1] (Cont'd)

(C)

(B) Technical Specifications Packages

<u>Parameter</u>	<u>Package TV-</u>		
	<u>C*</u>	<u>1</u>	<u>2</u>
Amplitude vs. Frequency Response	X		
Chrominance/Luminance Inequalities			
Gain	X	X	X
Delay	X	X	X
Chrominance/Luminance Intermodulation	X		
Chrominance Nonlinear Gain	X		
Chrominance Nonlinear Phase	X		
Crosstalk	X		X
Differential Gain	X	X	X
Differential Phase	X	X	X
Dynamic Gain (picture and sync signal)	X		
Field-Time Distortion	X	X	X
Gain/Frequency Distortion	X	X	X
Gain Stability	X	X	X
Insertion Gain	X	X	X
Line-Time Distortion	X	X	X
Long-Time Distortion	X	X	X

* The desired parameters are selected by the customer from the list of available parameters

^[1] **Effective February 1, 2020, Analog Video Service is grandfathered. Availability to current customers who are not under contract is limited to circuits already in place at existing locations. Customers under existing contracts will be allowed to place new orders and moves only to the extent permitted by their contracts. Existing contracts will not be renewed. When contracts expire, customers may retain their service on a month-to-month basis and will be limited to in-service circuits at existing locations.**

(N)
 |
 (N)

ACCESS SERVICE

7. Special Access Service (Cont'd)

7.2 Service Descriptions (Cont'd)

7.2.4 Video Service ^[1] (Cont'd)

(C)

(B) Technical Specifications Packages (Cont'd)

<u>Parameter</u>	<u>Package TV-</u>		
	<u>C*</u>	<u>1</u>	<u>2</u>
Luminance Nonlinearity	X		
Luminance Signal/CCIR Weighted Noise	X	X	X
Short-Time Distortion			
2 T Pulse	X	X	X
T - Bar Ringing	X	X	X
Signal/15 kHz Flat Weighted Noise	X	X	X
Signal/Low Frequency Noise	X		
Stereo Gain Difference	X	X	
Stereo Phase Difference	X	X	
Total Harmonic Distortion	X	X	X
Transient Sync Signal Non-Linearity	X		
Video/Audio Delay Difference	X		

* The desired parameters are selected by the customer from the list of available parameters.

^[1] **Effective February 1, 2020, Analog Video Service is grandfathered. Availability to current customers who are not under contract is limited to circuits already in place at existing locations. Customers under existing contracts will be allowed to place new orders and moves only to the extent permitted by their contracts. Existing contracts will not be renewed. When contracts expire, customers may retain their service on a month-to-month basis and will be limited to in-service circuits at existing locations.**

(N)
 |
 (N)

ACCESS SERVICE

7. Special Access Service (Cont'd)

7.2 Service Descriptions (Cont'd)

7.2.4 Video Service ^[1] (Cont'd)

(C)

(C) Channel Interfaces

The following channel interfaces (CIs) define the bandwidth and the provision of the audio signal(s) associated with a Video channel:

<u>CI</u>	<u>Audio Bandwidth</u>	<u>Provision</u>
2TV6-1	15 kHz	1 Channel, diplexed
2TV6-2	15 kHz	2 Channels, diplexed
2TV7-1	15 kHz	1 Channel, diplexed
2TV7-2	15 kHz	2 Channels, diplexed
4TV6-5	5 kHz	1 Channel, separate
4TV6-15	15 kHz	1 Channel, separate
4TV7-5	5 kHz	1 Channel, separate
4TV7-15	15 kHz	1 Channel, separate
6TV6-5	5 kHz	2 Channels, separate
6TV6-15	15 kHz	2 Channels, separate
6TV7-5	5 kHz	2 Channels, separate
6TV7-15	15 kHz	2 Channels, separate

Compatible channel interfaces are set forth in 7.3.5(D) following.

7.2.5 Reserved For Future Use

7.2.6 Reserved For Future Use

^[1] **Effective February 1, 2020, Analog Video Service is grandfathered. Availability to current customers who are not under contract is limited to circuits already in place at existing locations. Customers under existing contracts will be allowed to place new orders and moves only to the extent permitted by their contracts. Existing contracts will not be renewed. When contracts expire, customers may retain their service on a month-to-month basis and will be limited to in-service circuits at existing locations.**

(N)
 |
 (N)

ACCESS SERVICE

7. Special Access Service (Cont'd)

7.2 Service Descriptions (Cont'd)

7.2.7 Digital Data Service ^[1]

(C)

(A) Basic Channel Description

A Digital Data Access (DA) Non-Competitive End User Channel Termination (EUCT) is a channel for duplex four-wire transmission of 2.4, 4.8, 9.6, 19.2, 38.4, 56, or 64 kbps. The actual bit rate is a function of the protocol combination selected by the Customer. The channel provides a synchronous service with timing provided through the Company's facilities to the Customer in the received bit stream. Subrating is not available at the 19.2 kbps speed.

The customer may provide the Channel Service Unit-type equipment or other Network Channel Terminating Equipment associated with the Digital Data channel at the customer premises.

(B) Technical Specifications Packages

<u>Parameter</u>	<u>Package DA-</u>			
	<u>1</u>	<u>2</u>	<u>3</u>	<u>4</u>
Error-Free Seconds	X	X	X	X

The Company will provide a channel capable of meeting a monthly average performance equal to or greater than 99.875% error-free seconds while the channel is in service, if it is measured through a CSU equivalent which is designed, manufactured, and maintained to conform with the specifications contained in Technical Reference Publication MDP-326-726.

^[1] **Effective February 1, 2020, Digital Data Service is grandfathered. Availability to current customers who are not under contract is limited to circuits already in place at existing locations. Customers under existing contracts will be allowed to place new orders and moves only to the extent permitted by their contracts. Existing contracts will not be renewed. When contracts expire, customers may retain their service on a month-to-month basis and will be limited to in-service circuits at existing locations.**

(N)
 |
 (N)

ACCESS SERVICE

7. Special Access Service (Cont'd)7.2 Service Descriptions (Cont'd)7.2.7 Digital Data Service ^[1] (Cont'd)

(C)

(C) Channel Interfaces

The following channel interfaces (CIs) define the bit rates that are available for a Digital Data channel:

<u>CI</u>	<u>Bit Rate</u>
DU-24	2.4 kbps
DU-48	4.8 kbps
DU-96	9.6 kbps
DU-19	19.2 kbps
DU-38	38.4 kbps
DU-56	56.0 kbps
DU-64	64.0 kbps

Compatible channel interfaces are set forth in 7.3.5(G) following.

(D) Optional Features and Functions(1) Central Office Bridging Capability

Provides for the parallel connection of one virtual circuit to another virtual circuit without interrupting the integrity or continuity of the first. This service is only available from a company-designated digital hub.

(2) Reserved For Future Use

^[1] **Effective February 1, 2020, Digital Data Service is grandfathered. Availability to current customers who are not under contract is limited to circuits already in place at existing locations. Customers under existing contracts will be allowed to place new orders and moves only to the extent permitted by their contracts. Existing contracts will not be renewed. When contracts expire, customers may retain their service on a month-to-month basis and will be limited to in-service circuits at existing locations.**

(N)

(N)

ISSUE DATE:
January 17, 2020

Issued Under Transmittal No. 110
Vice President-Public Policy & Compliance
100 CenturyLink Drive
Monroe, Louisiana 71203

EFFECTIVE DATE:
February 1, 2020

ACCESS SERVICE

7. Special Access Service (Cont'd)

7.2 Service Descriptions (Cont'd)

7.2.7 Digital Data Service ^[1] (Cont'd)

(C)

(D) Optional Features and Functions (Cont'd)

(3) Secondary Channel

A data transmission channel having a lower signaling rate capability than the primary channel in a system in which two channels share a common interface.

Secondary Channel Capability provides for an additional low-speed digital transmission channel within the existing 56.0 kbps primary channels. The Secondary Channel can be used as a communications channel for the controlling and monitoring of the customer's network.

(4) Data Amplification

Provides for data transmission when the customer is located beyond the normal range of 42 decibel (dB) loss for digital data service (56.0 kbps and 64 kbps). The dB loss is determined by the route and length of the cable in addition to the gauge of the cable from the last signaling point (usually, but not always the switching office) to the customer's premise. When the dB loss is greater than 42, a repeater and associated equipment must be installed to regenerate the digital signal for accurate and acceptable data transmission to occur.

^[1] **Effective February 1, 2020, Digital Data Service is grandfathered. Availability to current customers who are not under contract is limited to circuits already in place at existing locations. Customers under existing contracts will be allowed to place new orders and moves only to the extent permitted by their contracts. Existing contracts will not be renewed. When contracts expire, customers may retain their service on a month-to-month basis and will be limited to in-service circuits at existing locations.**

(N)

(N)

ACCESS SERVICE

7. Special Access Service (Cont'd)

7.2 Service Descriptions (Cont'd)

7.2.7 Digital Data Service ^[1] (Cont'd)

(C)

(D) Optional Features and Functions (Cont'd)

The following table shows the technical specifications packages with which the optional features and functions are available.

	Available with Technical Specifications Package DA-			
	<u>1</u>	<u>2</u>	<u>3</u>	<u>4</u>
Central Office Bridging Capability	X	X	X	X
Secondary Channel Data Amplification				X

^[1] **Effective February 1, 2020, Digital Data Service is grandfathered. Availability to current customers who are not under contract is limited to circuits already in place at existing locations. Customers under existing contracts will be allowed to place new orders and moves only to the extent permitted by their contracts. Existing contracts will not be renewed. When contracts expire, customers may retain their service on a month-to-month basis and will be limited to in-service circuits at existing locations.**

(N)
 |
 (N)

ACCESS SERVICE

7. Special Access Service (Cont'd)7.2 Service Descriptions (Cont'd)7.2.8 High Capacity Service(A) Basic Channel Description

- (1) A High Capacity Non-Competitive End User Channel Termination (EUCT) is a channel for the transmission of 1.544 or 44.736 Mbps isochronous serial data transport signals. The actual bit rate and framing format is a function of the channel interface selected by the customer. High capacity services are provided between customer designated premises through serving wire centers or between a customer designated premises and a Telephone Company hub.

The Non-Competitive EUCT rate element for DS1 and DS3 services may vary based on distance. The mileage used to determine the monthly rate for channel terminations located outside a Company Central Office is the airline distance between the customer's designated premises and the Company serving wire center. The mileage measurement is determined by utilizing exchange maps and mileage tables located in designated Company offices for such purposes.

- (2) Fractional DS1 Non-Competitive EUCTs ^[1] provide simultaneous, two-way transmission at contiguous bit rates of 128.0, 256.0, and 384.0 kbps. Fractional DS1 channels operate over the combined bandwidth of adjacent channels to create a contiguous bit rate. (C)

Due to technical limitations associated with the provision of Fractional DS1, this service will be offered only in central offices where a compatible channel bank exists and the distance between the central office and the customer designated premises is less than or equal to 12,000 feet.

^[1] **Effective February 1, 2020, Fractional DS1 Service is grandfathered. Availability to current customers who are not under contract is limited to circuits already in place at existing locations. Customers under existing contracts will be allowed to place new orders and moves only to the extent permitted by their contracts. Existing contracts will not be renewed. When contracts expire, customers may retain their service on a month-to-month basis and will be limited to in-service circuits at existing locations.**

(N)
|
(N)

ISSUE DATE:
January 17, 2020

Issued Under Transmittal No. 110
Vice President-Public Policy & Compliance
100 CenturyLink Drive
Monroe, Louisiana 71203

EFFECTIVE DATE:
February 1, 2020

ACCESS SERVICE

7. Special Access Service (Cont'd)7.2 Service Descriptions (Cont'd)7.2.8 High Capacity Service (Cont'd)(A) Basic Channel Description (Cont'd)(4) Reserved for Future Use(B) Technical Specifications Packages

<u>Parameters</u>	<u>0</u>	<u>1</u>	<u>1C</u>	<u>2</u>	<u>3</u>
Error-Free Seconds	X	X			

A channel with technical specifications package HC1 will be capable of an error-free seconds performance of 98.75% over a continuous 24 hour period as measured at the 1.544 Mbps rate through a CSU equivalent which is designed, manufactured, and maintained to conform with the specifications contained in Technical Reference Publication GR-54.

ISSUE DATE:
February 28, 2011

Issued Under Transmittal No. 1
Vice President-Regulatory Operations
100 CenturyLink Drive
Monroe, Louisiana 71203

EFFECTIVE DATE:
March 1, 2011

ACCESS SERVICE

7. Special Access Service (Cont'd)7.2 Service Descriptions (Cont'd)7.2.8 High Capacity Service (Cont'd)(C) Channel Interfaces

The following channel interfaces (CIs) define the bit rates that are available for a High Capacity channel:

<u>CI</u>	<u>Bit Rate</u>
DS-15	1.544 Mbps (DS1)
DS-44	44.736 Mbps (DS3)

Compatible channel interfaces are set forth in 7.3.5(H) following.

(D) Optional Features and Functions(1) Automatic Loop Transfer

The Automatic Loop Transfer provides protection on a 1xN basis against failure of the facilities between a customer designated premises and the wire center serving that premises. 1xN protection provides one spare channel for up to a maximum of six working channels. Protection is furnished through the use of a switching arrangement that automatically switches to a spare channel when a working channel fails. Spare channel priority is given to the lowest numbered slot based upon slot position. Slot position

ISSUE DATE:
February 28, 2011

Issued Under Transmittal No. 1
Vice President-Regulatory Operations
100 CenturyLink Drive
Monroe, Louisiana 71203

EFFECTIVE DATE:
March 1, 2011

ACCESS SERVICE

7. Special Access Service (Cont'd)

7.2 Service Descriptions (Cont'd)

7.2.8 High Capacity Service (Cont'd)

(D) Optional Features and Functions (Cont'd)

(1) Automatic Loop Transfer (Cont'd)

number one is given highest priority. The spare channel is not included as a part of the option. This option requires compatible equipment at both the serving wire center and the customer premises. The customer is responsible for providing the equipment at its premises. This feature is not available with 1.544 Mbps channels having the B8ZS line code.

(2) Reserved for Future Use

(C)

(D)

(D)

ACCESS SERVICE

7. Special Access Service (Cont'd)

7.2 Service Descriptions (Cont'd)

7.2.8 High Capacity Service (Cont'd)

(D) Optional Features and Functions (Cont'd)

(2) Reserved for Future Use (Cont'd)

(C)

(D)

(D)

ACCESS SERVICE

7. Special Access Service (Cont'd)7.2 Service Descriptions (Cont'd)7.2.8 High Capacity Service (Cont'd)(D) Optional Features and Functions (Cont'd)(3) Clear Channel Capability

Clear Channel Capability (CCC) is an arrangement that alters a DS1/1.544 Mbps signal with unconstrained information bits to meet pulse density requirements outlined in Technical Reference Publications GR-54 and GR 342. This will allow a customer to transport an all zero octet over a DS1/1.544 Mbps High Capacity channel providing an available combined maximum 1.536 Mbps data rate. This arrangement requires the customer signal at the channel interface to conform to Bipolar with 8 Zero Substitution (B8ZS) line code as described in Technical Reference Publications GR-54 and GR-342.

CCC is provided on DS1/1.544 Mbps High Capacity channels between two customer designated premises and is subject to the availability of facilities. This optional feature may be ordered at the same time the DS1/1.544 Mbps High Capacity channel is ordered, or it may be ordered as an additional feature of an existing channel.

(4) Reserved For Future Use

ISSUE DATE:
February 28, 2011

Issued Under Transmittal No. 1
Vice President-Regulatory Operations
100 CenturyLink Drive
Monroe, Louisiana 71203

EFFECTIVE DATE:
March 1, 2011

ACCESS SERVICE

7. Special Access Service (Cont'd)

7.2 Service Descriptions (Cont'd)

7.2.8 High Capacity Service (Cont'd)

(D) Optional Features and Functions (Cont'd)

(5) Digital Cross Connect Service (DCCS)

(a) General Description

- 1. Digital Cross Connect Service (DCCS) associated with a Non-Competitive End User Channel Termination (EUCT) provides special access customers flexibility in reconfiguring their company provided special access networks. (C)
(C)
- 2. DCCS offers customers with fluctuating transmission requirements the ability to more efficiently utilize their networks by changing designated terminations without circuit changes.
- 3. Reserved for Future Use (C)
- 4. Reserved for Future Use (C)
- 5. Individual 64 kbps DS0 channels can be bridged via an optional bridging arrangement within the digital cross-connect system. Each bridging arrangement

ACCESS SERVICE

7. Special Access Service (Cont'd)7.2 Service Descriptions (Cont'd)7.2.8 High Capacity Service (Cont'd)(D) Optional Features and Functions (Cont'd)(5) Digital Cross Connect Service (DCCS) (Cont'd)(a) General Description (Cont'd)

5. (Cont'd)

can bridge up to 5 digital 64 kbps DS0 channels or up to 30 analog termination channels. Individual digital bridging arrangements can be connected to provide for larger bridging requirements; however, this cascading will require the use of one channel in each bridge for this connection.

(b) Customer Circuits

The basic unit of service for DCCS is a single voice frequency (DS0) Non-Competitive End User Channel Termination (EUCT). Service is also provided for full DS1 (1.544 Mbps) digital circuits or synchronous subrate digital circuits (2.4, 4.8 or 9.6 kbps). Special access circuits associated with DCCS will be provided by the Telephone Company pursuant to the relevant terms and conditions for the type of circuit as outlined elsewhere in Section 7 of this tariff.

(C)
(C)(c) Customer Interface

DCCS customers may impose network reconfiguration instructions as follows:

ISSUE DATE:
October 17, 2017

Issued Under Transmittal No. 96
Vice President-Regulatory Operations
100 CenturyLink Drive
Monroe, Louisiana 71203

EFFECTIVE DATE:
November 1, 2017

ACCESS SERVICE

7. Special Access Service (Cont'd)7.2 Service Descriptions (Cont'd)7.2.8 High Capacity Service (Cont'd)(D) Optional Features and Functions (Cont'd)(5) Digital Cross Connect Service (DCCS) (Cont'd)(c) Customer Interface (Cont'd)

1. Basic service - the customer submits via normal ordering procedures, requests for changes which are implemented by the Telephone Company through normal service provisioning procedures.
2. Company-controlled - the customer issues verbal commands to the Telephone Company's control center which accesses a Network Management System (NMS) to reconfigure the customer's network. The company-controlled capabilities are only offered where the Telephone Company has a suitable NMS.

(d) Maintenance and Operation

1. When the Telephone Company performs necessary preventative and/or routine maintenance, DCCS may not be available for circuit reconfiguration. Circuits in operation during these times will continue in operation but may not be reconfigured. Upgrades in DCCS software may also require system downtime. Customers will be notified at least 24 hours in advance of outages due to software upgrades.

ISSUE DATE:
February 28, 2011

Issued Under Transmittal No. 1
Vice President-Regulatory Operations
100 CenturyLink Drive
Monroe, Louisiana 71203

EFFECTIVE DATE:
March 1, 2011

ACCESS SERVICE

7. Special Access Service (Cont'd)

7.2 Service Descriptions (Cont'd)

7.2.8 High Capacity Service (Cont'd)

(D) Optional Features and Functions (Cont'd)

(5) Digital Cross Connect Service (DCCS) (Cont'd)

(d) Maintenance and Operation (Cont'd)

2. No credit allowance in DCCS monthly charges will be provided for interruptions required to perform the maintenance or software upgrades.

(e) Regulations

1. DCCS provides network reconfiguration capability through the DCCS, and establishes a jurisdictional demarcation point for dedicated services for rate application purposes. The jurisdiction and rates for the dedicated services on either side of DCCS are determined independent of the other.

ISSUE DATE:
February 28, 2011

Issued Under Transmittal No. 1
Vice President-Regulatory Operations
100 CenturyLink Drive
Monroe, Louisiana 71203

EFFECTIVE DATE:
March 1, 2011

ACCESS SERVICE

7. Special Access Service (Cont'd)

7.2 Service Descriptions (Cont'd)

7.2.8 High Capacity Service (Cont'd)

(D) Optional Features and Functions (Cont'd)

(5) Digital Cross Connect Service (DCCS) (Cont'd)

(e) Regulations (Cont'd)

- 2. The regulations and rates for DCCS are in addition to applicable regulations and rates specified in other sections of this tariff.
- 3. DCCS is furnished only from serving wire centers equipped with digital cross-connect systems and is provided subject to the availability of appropriate facilities.
- 4. Optional DCCS capabilities are furnished only from serving wire centers equipped with appropriately equipped digital cross-connect systems and/or network management systems.
- 5. Some DCCS features and functions may not be available in all digital cross-connect systems. The customer should contact the Telephone Company to determine the availability of DCCS features in each location.

(f) Connections

DCCS applies to the reconfiguration of connections between pairs of special access service Non-Competitive End User Channel Terminations (EUCTs) only at the DS0 level or 24 consecutive DS0 channels. All services on

(C)
(C)
(C)

ISSUE DATE:
October 17, 2017

Issued Under Transmittal No. 96
Vice President-Regulatory Operations
100 CenturyLink Drive
Monroe, Louisiana 71203

EFFECTIVE DATE:
November 1, 2017

ACCESS SERVICE

7. Special Access Service (Cont'd)7.2 Service Descriptions (Cont'd)7.2.8 High Capacity Service (Cont'd)(D) Optional Features and Functions (Cont'd)(5) Digital Cross Connect Service (DCCS) (Cont'd)(f) Connections (Cont'd)

channels to the DCCS may not be compatible, consequently, certain configuration combinations must be denied. The Telephone Company shall not be responsible for service interruptions, troubles, loss of customer data, etc., resulting from invalid reconfiguration attempts. A channel service compatibility list will be provided to customers upon request.

DS0 and DS1 signals as defined in the Telephone Company's technical references may be terminated on DCCS. Other multiplexing formats must be converted to a standard D4 format. If the Telephone Company determines that the requested technical specifications are not compatible, the customer will be notified and given the opportunity to change the order.

(g) DCCS Options

1. DS3 connections to the digital cross-connect system can be provided in suitably equipped serving wire centers. The customer may elect to merge various DS1 and DS3 services, and in some locations may merge individual DS0 services. All other terms and conditions of DCCS as set forth in this section apply to DS3 connections.

ISSUE DATE:
February 28, 2011

Issued Under Transmittal No. 1
Vice President-Regulatory Operations
100 CenturyLink Drive
Monroe, Louisiana 71203

EFFECTIVE DATE:
March 1, 2011

ACCESS SERVICE

7. Special Access Service (Cont'd)7.2 Service Descriptions (Cont'd)7.2.8 High Capacity Service (Cont'd)(D) Optional Features and Functions (Cont'd)(5) Digital Cross Connect Service (DCCS) (Cont'd)(g) DCCS Options (Cont'd)2. Shared DCCS Arrangement

Multiple customers may include circuits with the DCCS option in the same DCCS arrangement, provided that all customers designate in writing the same party to serve as their agent.

The designated agent will be authorized to represent each of the customers in a shared DCCS arrangement in all transactions and communications with the Telephone Company. Such transactions may include reconfigurations, monitoring, ordering of additional special access services and DCCS Service options in the arrangement, and removal of special access services from the arrangement. The Telephone Company will not process customer orders or requests affecting shared DCCS arrangements or circuits included in shared arrangements except those submitted by the agent.

ISSUE DATE:
February 28, 2011

Issued Under Transmittal No. 1
Vice President-Regulatory Operations
100 CenturyLink Drive
Monroe, Louisiana 71203

EFFECTIVE DATE:
March 1, 2011

ACCESS SERVICE

7. Special Access Service (Cont'd)7.2 Service Descriptions (Cont'd)7.2.8 High Capacity Service (Cont'd)(D) Optional Features and Functions (Cont'd)(5) Digital Cross Connect Service (DCCS) (Cont'd)(g) DCCS Options (Cont'd)2. Shared DCCS Arrangement (Cont'd)

The Telephone Company shall not be liable for any loss to any of the customers in a shared DCCS arrangement caused directly or indirectly by actions of the agent or another customer in the shared arrangement. Each customer in the shared arrangement and the agent shall indemnify the Telephone Company for the costs of any and all claims arising directly or indirectly out of the actions of agent or another customer in the shared arrangement, including, but not limited to, the cost of defending against such claims.

Any customer in a shared DCCS arrangement must give the Telephone Company 30 days prior written notice of its intent to revoke an agent's authority and to remove all its special access services from a shared arrangement. Such notice shall not be effective unless the customer provides the Telephone Company with specific and sufficient directions regarding treatment of the customer's special access services upon revocation of the agent's authority or removal from the shared arrangement.

ISSUE DATE:
February 28, 2011

Issued Under Transmittal No. 1
Vice President-Regulatory Operations
100 CenturyLink Drive
Monroe, Louisiana 71203

EFFECTIVE DATE:
March 1, 2011

ACCESS SERVICE

7. Special Access Service (Cont'd)7.2 Service Descriptions (Cont'd)7.2.8 High Capacity Service (Cont'd)(D) Optional Features and Functions (Cont'd)(5) Digital Cross Connect Service (DCCS) (Cont'd)(h) Application of Rates

1. For each DCCS, the appropriate Basic Service DCCS connection charge associated with Non-Competitive End User Channel Terminations (EUCTs) applies. A DCCS connection charge is required for each special access circuit terminating via a digital cross-connect system port. (C)
(C)
2. A multipoint bridging charge is applicable for each DS0 channel which is terminated in a bridging arrangement.
3. Reserved for Future Use (C)
4. An NMS data base charge applies for each DCCS arrangement under which company-controlled reconfiguration capability is provided. The per customer nonrecurring charge is applied to the initial data base establishment. The per circuit nonrecurring charge is applied on the initial and all subsequent orders which require adding circuits to or removing circuits from the digital cross-connect system.

ISSUE DATE:
October 17, 2017Issued Under Transmittal No. 96
Vice President-Regulatory Operations
100 CenturyLink Drive
Monroe, Louisiana 71203EFFECTIVE DATE:
November 1, 2017

ACCESS SERVICE

7. Special Access Service (Cont'd)7.2 Service Descriptions (Cont'd)7.2.8 High Capacity Service (Cont'd)(D) Optional Features and Functions (Cont'd)(5) Digital Cross Connect Service (DCCS) (Cont'd)(h) Application of Rates (Cont'd)

5. The company-performed reconfiguration nonrecurring charge is applicable when the customer chooses to have Telephone Company personnel perform the reconfiguration activities. The Telephone Company will perform the reconfiguration based on instructions from the customer. This charge is applied in increments of thirty (30) minutes for each occurrence.

ISSUE DATE:
February 28, 2011

Issued Under Transmittal No. 1
Vice President-Regulatory Operations
100 CenturyLink Drive
Monroe, Louisiana 71203

EFFECTIVE DATE:
March 1, 2011

ACCESS SERVICE

7. Special Access Service (Cont'd)

7.2 Service Descriptions (Cont'd)

7.2.8 High Capacity Service (Cont'd)

(D) Optional Features and Functions (Cont'd)

(6) Reserved for Future Use

(C)

(D)

(D)

(7) Extended Superframe Format (ESF)

The ESF optional feature is available at suitably equipped end offices, and passes a customer provided framing format for 1.544 Mbps high capacity Non-Competitive End User Channel Termination (EUCT). ESF extends the customer's 1.544 Mbps framing structure from 12 to 24 frames and divides the 8 Kbps 193rd bit position pattern into three distinct functionalities: 2 Kbps for frame synchronization, 2 Kbps for cyclic redundancy checking, and 4 Kbps used primarily for performance monitoring information.

(C)

(C)

ISSUE DATE:
October 17, 2017

Issued Under Transmittal No. 96
Vice President-Regulatory Operations
100 CenturyLink Drive
Monroe, Louisiana 71203

EFFECTIVE DATE:
November 1, 2017

ACCESS SERVICE

7. Special Access Service (Cont'd)

7.2 Service Descriptions (Cont'd)

7.2.8 High Capacity Service (Cont'd)

(D) Optional Features and Functions (Cont'd)

(D)

(D)

ISSUE DATE:
October 17, 2017

Issued Under Transmittal No. 96
Vice President-Regulatory Operations
100 CenturyLink Drive
Monroe, Louisiana 71203

EFFECTIVE DATE:
November 1, 2017

ACCESS SERVICE

7. Special Access Service (Cont'd)

7.2 Service Descriptions (Cont'd)

7.2.8 High Capacity Service (Cont'd)

(D) Optional Features and Functions (Cont'd)

(D)

(D)

ISSUE DATE:
October 17, 2017

Issued Under Transmittal No. 96
Vice President-Regulatory Operations
100 CenturyLink Drive
Monroe, Louisiana 71203

EFFECTIVE DATE:
November 1, 2017

ACCESS SERVICE

7. Special Access Service (Cont'd)

7.2 Service Descriptions (Cont'd)

7.2.8 High Capacity Service (Cont'd)

(D) Optional Features and Functions (Cont'd)

(D)

(D)

ISSUE DATE:
October 17, 2017

Issued Under Transmittal No. 96
Vice President-Regulatory Operations
100 CenturyLink Drive
Monroe, Louisiana 71203

EFFECTIVE DATE:
November 1, 2017

ACCESS SERVICE

7. Special Access Service (Cont'd)

7.2 Service Descriptions (Cont'd)

7.2.8 High Capacity Service (Cont'd)

(D) Optional Features and Functions (Cont'd)

(D)

(D)

ISSUE DATE:
October 17, 2017

Issued Under Transmittal No. 96
Vice President-Regulatory Operations
100 CenturyLink Drive
Monroe, Louisiana 71203

EFFECTIVE DATE:
November 1, 2017

ACCESS SERVICE

7. Special Access Service (Cont'd)

7.2 Service Descriptions (Cont'd)

7.2.8 High Capacity Service (Cont'd)

(D) Optional Features and Functions (Cont'd)

(D)

(D)

ISSUE DATE:
October 17, 2017

Issued Under Transmittal No. 96
Vice President-Regulatory Operations
100 CenturyLink Drive
Monroe, Louisiana 71203

EFFECTIVE DATE:
November 1, 2017

ACCESS SERVICE

7. Special Access Service (Cont'd)

7.2 Service Descriptions (Cont'd)

7.2.8 High Capacity Service (Cont'd)

(D) Optional Features and Functions (Cont'd)

(D)

(D)

ISSUE DATE:
October 17, 2017

Issued Under Transmittal No. 96
Vice President-Regulatory Operations
100 CenturyLink Drive
Monroe, Louisiana 71203

EFFECTIVE DATE:
November 1, 2017

ACCESS SERVICE

7. Special Access Service (Cont'd)

7.2 Service Descriptions (Cont'd)

7.2.8 High Capacity Service (Cont'd)

(D) Optional Features and Functions (Cont'd)

(D)

(D)

ISSUE DATE:
October 17, 2017

Issued Under Transmittal No. 96
Vice President-Regulatory Operations
100 CenturyLink Drive
Monroe, Louisiana 71203

EFFECTIVE DATE:
November 1, 2017

ACCESS SERVICE

7. Special Access Service (Cont'd)

7.2 Service Descriptions (Cont'd)

7.2.8 High Capacity Service (Cont'd)

(D) Optional Features and Functions (Cont'd)

(D)

(D)

ISSUE DATE:
October 17, 2017

Issued Under Transmittal No. 96
Vice President-Regulatory Operations
100 CenturyLink Drive
Monroe, Louisiana 71203

EFFECTIVE DATE:
November 1, 2017

ACCESS SERVICE

7. Special Access Service (Cont'd)

7.2 Service Descriptions (Cont'd)

7.2.8 High Capacity Service (Cont'd)

(D) Optional Features and Functions (Cont'd)

The following table shows the technical specifications packages with which the optional features and functions are available.

	Available with Technical Specifications Package HC-			
	<u>0</u>	<u>1</u>	<u>3</u>	
Automatic Loop Transfer		X		(D) (D) (D) (D) (D)
Clear Channel Capability		X	X	
Digital Cross Connect	X	X	X	(D) (D)
Extended Superframe Format		X		(D)

ISSUE DATE:
 October 17, 2017

Issued Under Transmittal No. 96
 Vice President-Regulatory Operations
 100 CenturyLink Drive
 Monroe, Louisiana 71203

EFFECTIVE DATE:
 November 1, 2017

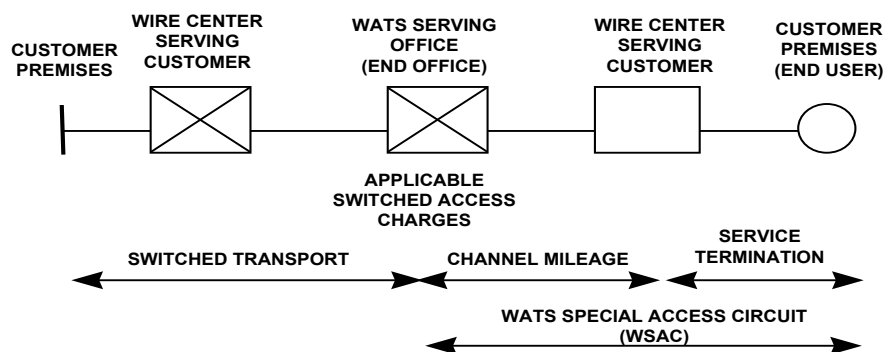
Original Page 7-66

ACCESS SERVICE

7. Special Access Service (Cont'd)7.2 Service Descriptions (Cont'd)7.2.9 Special Access Service Utilized for Connection with Switched Access Service(A) Basic Service Description

A special access service utilized for connection with a switched access service implemented as a voice grade dedicated communications path between the customer's end user and a WATS Serving Office (WSO) equipped with Feature Groups A, B, C or D service, together, form the functional parts that are the major building blocks of the WATS* service. Switched access optional arrangements are available as set forth in Section 6.3. Both of these functional elements are necessary to provide service from the customer's end user to the customer's designated premises.

A WATS special access circuit (WSAC) may be provided as an originating only, terminating only, or two way (originating and terminating) service, at the option of the customer. If a WSO is not capable of implementing a state-mandated restriction, the WSAC will be extended free of charge to the nearest WSO capable of performing the necessary function.



* Use of the Terms "WATS" and/or "WATS like" is descriptive only and is not intended to restrict provision of a WSAC to a specific type of service.

ISSUE DATE:
February 28, 2011

Issued Under Transmittal No. 1
Vice President-Regulatory Operations
100 CenturyLink Drive
Monroe, Louisiana 71203

EFFECTIVE DATE:
March 1, 2011

ACCESS SERVICE

7. Special Access Service (Cont'd)7.2 Service Descriptions (Cont'd)7.2.9 Special Access Service Utilized for Connection with Switched Access Service (Cont'd)(B) WATS Special Access Circuit (WSAC)

A WATS Special Access Circuit (WSAC) is comprised of a Non-Competitive End User Channel Termination (EUCT) between the customer's end user serving wire center and the customer's end user premises as specified in Section 7.1.2(A). (C)
(C)

The transmission path is offered as either effective two-wire, effective four-wire, or a high capacity access connection. This service is provided with rotary dial or dual tone multi-frequency address signaling, and with either loop start or ground start signaling. Additionally, other optional features such as improved return loss can be provided. (C)

(C) Voice Grade Service Restrictions

When a WSAC, as described in (B) preceding, is used for multi-jurisdictional access, and when the Company's intrastate tariff provides for customer billing for these facilities, the Company will exempt the customer from the intrastate charges related to the WSAC. All calls carried over a special access line used in conjunction with common switching optional features for multi-jurisdictional access will be passed to the customer for completion except when state restrictions apply or when the end user voluntarily uses a multiple carrier access code (assuming 101XXXX dialing has not been restricted by the customer). (C)
(C)
(C)

ISSUE DATE:
October 17, 2017

Issued Under Transmittal No. 96
Vice President-Regulatory Operations
100 CenturyLink Drive
Monroe, Louisiana 71203

EFFECTIVE DATE:
November 1, 2017

Original Page 7-68

ACCESS SERVICE

7. Special Access Service (Cont'd)7.2 Service Descriptions (Cont'd)7.2.9 Special Access Service Utilized for Connection with Switched Access Service (Cont'd)(C) Voice Grade Service Restrictions (Cont'd)

When the WSAC is provisioned with Feature Group A, it can only be used for service in the terminating direction.

Individual state restrictions are as follows:

(1) State of Florida

By order of the Florida Public Service Commission in Docket No. 870660-TI, Order No. 20154, the use of bi-jurisdictional WSACs is approved. All 1+ and 0+ intrastate intraLATA traffic originated on a bi-jurisdictional WSAC will be blocked or screened, where possible, and retained by the serving local exchange carrier. Intrastate intraLATA Access Blocking or Screening, as described in Sections 6.3(T)(7) and 6.3(T)(8), will be provided by the Telephone Company at no charge. Intrastate intraLATA calling must conform to the rules and regulations of the Florida Public Service Commission.

Additionally, interexchange carriers that provide Toll Free Code (TFC) service in conjunction with bi-jurisdictional WSACs shall provide the Telephone Company an annual report, performed by a qualified auditor, which shall attest to the validity of the methodology used to develop the TFC service percent interstate use (PIU), i.e., the split between interstate and intrastate terminating TFC of use.

ISSUE DATE:
February 28, 2011

Issued Under Transmittal No. 1
Vice President-Regulatory Operations
100 CenturyLink Drive
Monroe, Louisiana 71203

EFFECTIVE DATE:
March 1, 2011

ACCESS SERVICE

7. Special Access Service (Cont'd)

7.2 Service Descriptions (Cont'd)

7.2.9 Special Access Service Utilized for Connection with Switched Access Service (Cont'd)

(C) Voice Grade Service Restrictions (Cont'd)

(2) **Reserved for Future Use**

(C)

(D)

(D)

Material deleted from this page now appears in Brightspeed Local Operating Companies Tariff F.C.C. NO. 9.

(N)

(N)

ISSUE DATE:
September 19, 2022

Issued Under Transmittal No. 125
Vice President-Regulatory Operations
100 CenturyLink Drive
Monroe, Louisiana 71203

EFFECTIVE DATE:
October 4, 2022

ACCESS SERVICE

7. Special Access Service (Cont'd)

7.2 Service Descriptions (Cont'd)

7.2.9 Special Access Service Utilized for Connection with Switched Access Service (Cont'd)

(C) Voice Grade Service Restrictions (Cont'd)

(3) **Reserved for Future Use**

(C)

(D)

(D)

Material deleted from this page now appears in Brightspeed Local Operating Companies Tariff F.C.C. NO. 9.

(N)

(N)

ISSUE DATE:
September 19, 2022

Issued Under Transmittal No. 125
Vice President-Regulatory Operations
100 CenturyLink Drive
Monroe, Louisiana 71203

EFFECTIVE DATE:
October 4, 2022

ACCESS SERVICE

7. Special Access Service (Cont'd)

7.2 Service Descriptions (Cont'd)

7.2.9 Special Access Service Utilized for Connection with Switched Access Service (Cont'd)

(C) Voice Grade Service Restrictions (Cont'd)

(4) **Reserved for Future Use**

(C)

(D)

(D)

Material deleted from this page now appears in Brightspeed Local Operating Companies Tariff F.C.C. NO. 9.

(N)

(N)

ISSUE DATE:
September 19, 2022

Issued Under Transmittal No. 125
Vice President-Regulatory Operations
100 CenturyLink Drive
Monroe, Louisiana 71203

EFFECTIVE DATE:
October 4, 2022

ACCESS SERVICE

7. Special Access Service (Cont'd)

7.2 Service Descriptions (Cont'd)

7.2.9 Special Access Service Utilized for Connection with Switched Access Service (Cont'd)

(C) Voice Grade Service Restrictions (Cont'd)

(5) **Reserved for Future Use**

(C)

(D)

(D)

Material deleted from this page now appears in Brightspeed Local Operating Companies Tariff F.C.C. NO. 9.

(N)
(N)

ISSUE DATE:
September 19, 2022

Issued Under Transmittal No. 125
Vice President-Regulatory Operations
100 CenturyLink Drive
Monroe, Louisiana 71203

EFFECTIVE DATE:
October 4, 2022

ACCESS SERVICE

7. Special Access Service (Cont'd)

7.2 Service Descriptions (Cont'd)

7.2.9 Special Access Service Utilized for Connection with Switched Access Service (Cont'd)

(C) Voice Grade Service Restrictions (Cont'd)

(6) **Reserved for Future Use** (C)

(D)

(D)

Material deleted from this page now appears in Brightspeed Local Operating Companies Tariff F.C.C. NO. 9. (N)
(N)

ISSUE DATE:
September 19, 2022

Issued Under Transmittal No. 125
Vice President-Regulatory Operations
100 CenturyLink Drive
Monroe, Louisiana 71203

EFFECTIVE DATE:
October 4, 2022

ACCESS SERVICE

7. Special Access Service (Cont'd)

7.2 Service Descriptions (Cont'd)

7.2.9 Special Access Service Utilized for Connection with Switched Access Service (Cont'd)

(C) Voice Grade Service Restrictions (Cont'd)

(7) **Reserved for Future Use**

(C)

(D)

(D)

(8) **Reserved for Future Use**

(C)

(D)

(D)

Material deleted from this page now appears in Brightspeed Local Operating Companies Tariff F.C.C. NO. 9.

(N)

(N)

ISSUE DATE:
September 19, 2022

Issued Under Transmittal No. 125
Vice President-Regulatory Operations
100 CenturyLink Drive
Monroe, Louisiana 71203

EFFECTIVE DATE:
October 4, 2022

ACCESS SERVICE

7. Special Access Service (Cont'd)

7.2 Service Descriptions (Cont'd)

7.2.9 Special Access Service Utilized for Connection with Switched Access Service (Cont'd)

(C) Voice Grade Service Restrictions (Cont'd)

(9) **Reserved for Future Use**

(C)

(D)

(D)

Material deleted from this page now appears in Brightspeed Local Operating Companies Tariff F.C.C. NO. 9.

(N)
(N)

ISSUE DATE:
September 19, 2022

Issued Under Transmittal No. 125
Vice President-Regulatory Operations
100 CenturyLink Drive
Monroe, Louisiana 71203

EFFECTIVE DATE:
October 4, 2022

ACCESS SERVICE

7. Special Access Service (Cont'd)

7.2 Service Descriptions (Cont'd)

7.2.10 Reserved for Future Use

(C)

(D)

(D)

ISSUE DATE:
October 17, 2017

Issued Under Transmittal No. 96
Vice President-Regulatory Operations
100 CenturyLink Drive
Monroe, Louisiana 71203

EFFECTIVE DATE:
November 1, 2017

ACCESS SERVICE

7. Special Access Service (Cont'd)

7.2 Service Descriptions (Cont'd)

7.2.10 Reserved for Future Use (Cont'd)

(C)

(D)

(D)

7.2.11 Reserved For Future Use

1st Revised Page 7-78
Cancels Original Page 7-78

ACCESS SERVICE

7. Special Access Service (Cont'd)

7.2 Service Descriptions (Cont'd)

7.2.12 Reserved For Future Use

(C)

(D)

(D)

ISSUE DATE:
October 17, 2017

Issued Under Transmittal No. 96
Vice President-Regulatory Operations
100 CenturyLink Drive
Monroe, Louisiana 71203

EFFECTIVE DATE:
November 1, 2017

1st Revised Page 7-79
Cancels Original Page 7-79

ACCESS SERVICE

7. Special Access Service (Cont'd)

7.2 Service Descriptions (Cont'd)

7.2.12 Reserved for Future Use (Cont'd)

(C)

(D)

(D)

ISSUE DATE:
October 17, 2017

Issued Under Transmittal No. 96
Vice President-Regulatory Operations
100 CenturyLink Drive
Monroe, Louisiana 71203

EFFECTIVE DATE:
November 1, 2017

1st Revised Page 7-80
Cancels Original Page 7-80

ACCESS SERVICE

7. Special Access Service (Cont'd)

7.2 Service Descriptions (Cont'd)

7.2.12 Reserved for Future Use (Cont'd)

(C)

(D)

(D)

ISSUE DATE:
October 17, 2017

Issued Under Transmittal No. 96
Vice President-Regulatory Operations
100 CenturyLink Drive
Monroe, Louisiana 71203

EFFECTIVE DATE:
November 1, 2017

1st Revised Page 7-81
Cancels Original Page 7-81

ACCESS SERVICE

7. Special Access Service (Cont'd)

7.2 Service Descriptions (Cont'd)

7.2.12 Reserved for Future Use (Cont'd)

(C)

(D)

(D)

ISSUE DATE:
October 17, 2017

Issued Under Transmittal No. 96
Vice President-Regulatory Operations
100 CenturyLink Drive
Monroe, Louisiana 71203

EFFECTIVE DATE:
November 1, 2017

1st Revised Page 7-82
Cancels Original Page 7-82

ACCESS SERVICE

7. Special Access Service (Cont'd)

7.2 Service Descriptions (Cont'd)

7.2.12 Reserved for Future Use (Cont'd)

(C)

(D)

(D)

ISSUE DATE:
October 17, 2017

Issued Under Transmittal No. 96
Vice President-Regulatory Operations
100 CenturyLink Drive
Monroe, Louisiana 71203

EFFECTIVE DATE:
November 1, 2017

ACCESS SERVICE

7. Special Access Service (Cont'd)

7.2 Service Descriptions (Cont'd)

7.2.13 Reserved For Future Use

7.2.14 Reserved For Future Use

7.2.15 Reserved For Future Use

ISSUE DATE:
February 28, 2011

Issued Under Transmittal No. 1
Vice President-Regulatory Operations
100 CenturyLink Drive
Monroe, Louisiana 71203

EFFECTIVE DATE:
March 1, 2011

ACCESS SERVICE

7. Special Access Service (Cont'd)

7.2 Service Descriptions (Cont'd)

7.2.16 ⁽¹⁾

(T)

(D)

(D)

⁽¹⁾ The CenturyLink services previously identified on this page are no longer offered under tariff. Effective March 13, 2015, the Commission granted forbearance from dominant carrier regulation of these services.

http://transition.fcc.gov/Daily_Releases/Daily_Business/2015/db0316/DOC-332526A1.pdf

The rates, terms and conditions associated with these services are now available at

<http://www.centurylink.com/Pages/AboutUs/Legal/Tariffs/displayTariffLandingPage.html>

ISSUE DATE:
April 16, 2015

Issued Under Transmittal No. 69
Vice President-Regulatory Operations
100 CenturyLink Drive
Monroe, Louisiana 71203

EFFECTIVE DATE:
May 1, 2015

ACCESS SERVICE

7. Special Access Service (Cont'd)

7.2 Service Descriptions (Cont'd)

7.2.16 ⁽¹⁾

(T)

(D)

(D)

⁽¹⁾ The CenturyLink services previously identified on this page are no longer offered under tariff. Effective March 13, 2015, the Commission granted forbearance from dominant carrier regulation of these services.

http://transition.fcc.gov/Daily_Releases/Daily_Business/2015/db0316/DOC-332526A1.pdf

The rates, terms and conditions associated with these services are now available at <http://www.centurylink.com/Pages/AboutUs/Legal/Tariffs/displayTariffLandingPage.html>

ACCESS SERVICE

7. Special Access Service (Cont'd)

7.2 Service Descriptions (Cont'd)

7.2.16 ⁽¹⁾

(T)

(D)

(D)

⁽¹⁾ The CenturyLink services previously identified on this page are no longer offered under tariff. Effective March 13, 2015, the Commission granted forbearance from dominant carrier regulation of these services.

http://transition.fcc.gov/Daily_Releases/Daily_Business/2015/db0316/DOC-332526A1.pdf

The rates, terms and conditions associated with these services are now available at

<http://www.centurylink.com/Pages/AboutUs/Legal/Tariffs/displayTariffLandingPage.html>

ISSUE DATE:
April 16, 2015

Issued Under Transmittal No. 69
Vice President-Regulatory Operations
100 CenturyLink Drive
Monroe, Louisiana 71203

EFFECTIVE DATE:
May 1, 2015

ACCESS SERVICE

7. Special Access Service (Cont'd)

7.2 Service Descriptions (Cont'd)

7.2.16 ⁽¹⁾

(T)

(D)

(D)

⁽¹⁾ The CenturyLink services previously identified on this page are no longer offered under tariff. Effective March 13, 2015, the Commission granted forbearance from dominant carrier regulation of these services.

http://transition.fcc.gov/Daily_Releases/Daily_Business/2015/db0316/DOC-332526A1.pdf

The rates, terms and conditions associated with these services are now available at

<http://www.centurylink.com/Pages/AboutUs/Legal/Tariffs/displayTariffLandingPage.html>

ACCESS SERVICE

7. Special Access Service (Cont'd)

7.2 Service Descriptions (Cont'd)

7.2.16 ⁽¹⁾

(T)

(D)

(D)

⁽¹⁾ The CenturyLink services previously identified on this page are no longer offered under tariff. Effective March 13, 2015, the Commission granted forbearance from dominant carrier regulation of these services.

http://transition.fcc.gov/Daily_Releases/Daily_Business/2015/db0316/DOC-332526A1.pdf

The rates, terms and conditions associated with these services are now available at

<http://www.centurylink.com/Pages/AboutUs/Legal/Tariffs/displayTariffLandingPage.html>

ISSUE DATE:
April 16, 2015

Issued Under Transmittal No. 69
Vice President-Regulatory Operations
100 CenturyLink Drive
Monroe, Louisiana 71203

EFFECTIVE DATE:
May 1, 2015

ACCESS SERVICE

7. Special Access Service (Cont'd)

7.2 Service Descriptions (Cont'd)

7.2.16 ⁽¹⁾

(T)

(D)

(D)

⁽¹⁾ The CenturyLink services previously identified on this page are no longer offered under tariff. Effective March 13, 2015, the Commission granted forbearance from dominant carrier regulation of these services.

http://transition.fcc.gov/Daily_Releases/Daily_Business/2015/db0316/DOC-332526A1.pdf

The rates, terms and conditions associated with these services are now available at

<http://www.centurylink.com/Pages/AboutUs/Legal/Tariffs/displayTariffLandingPage.html>

ACCESS SERVICE

7. Special Access Service (Cont'd)

7.2 Service Descriptions (Cont'd)

7.2.16 ⁽¹⁾

(T)

(D)

(D)

⁽¹⁾ The CenturyLink services previously identified on this page are no longer offered under tariff. Effective March 13, 2015, the Commission granted forbearance from dominant carrier regulation of these services.

http://transition.fcc.gov/Daily_Releases/Daily_Business/2015/db0316/DOC-332526A1.pdf

The rates, terms and conditions associated with these services are now available at

<http://www.centurylink.com/Pages/AboutUs/Legal/Tariffs/displayTariffLandingPage.html>

ACCESS SERVICE

7. Special Access Service (Cont'd)

7.2 Service Descriptions (Cont'd)

7.2.16 ⁽¹⁾

(T)

(D)

(D)

⁽¹⁾ The CenturyLink services previously identified on this page are no longer offered under tariff. Effective March 13, 2015, the Commission granted forbearance from dominant carrier regulation of these services.

http://transition.fcc.gov/Daily_Releases/Daily_Business/2015/db0316/DOC-332526A1.pdf

The rates, terms and conditions associated with these services are now available at

<http://www.centurylink.com/Pages/AboutUs/Legal/Tariffs/displayTariffLandingPage.html>

ISSUE DATE:
April 16, 2015

Issued Under Transmittal No. 69
Vice President-Regulatory Operations
100 CenturyLink Drive
Monroe, Louisiana 71203

EFFECTIVE DATE:
May 1, 2015

ACCESS SERVICE

7. Special Access Service (Cont'd)

7.2 Service Descriptions (Cont'd)

7.2.16 ⁽¹⁾

(T)

(D)

(D)

⁽¹⁾ The CenturyLink services previously identified on this page are no longer offered under tariff. Effective March 13, 2015, the Commission granted forbearance from dominant carrier regulation of these services.

http://transition.fcc.gov/Daily_Releases/Daily_Business/2015/db0316/DOC-332526A1.pdf

The rates, terms and conditions associated with these services are now available at

<http://www.centurylink.com/Pages/AboutUs/Legal/Tariffs/displayTariffLandingPage.html>

ACCESS SERVICE

7. Special Access Service (Cont'd)

7.2 Service Descriptions (Cont'd)

7.2.17 ⁽¹⁾

(T)

(D)

(D)

⁽¹⁾ The CenturyLink services previously identified on this page are no longer offered under tariff. Effective March 13, 2015, the Commission granted forbearance from dominant carrier regulation of these services.

http://transition.fcc.gov/Daily_Releases/Daily_Business/2015/db0316/DOC-332526A1.pdf

The rates, terms and conditions associated with these services are now available at

<http://www.centurylink.com/Pages/AboutUs/Legal/Tariffs/displayTariffLandingPage.html>

ISSUE DATE:
April 16, 2015

Issued Under Transmittal No. 69
Vice President-Regulatory Operations
100 CenturyLink Drive
Monroe, Louisiana 71203

EFFECTIVE DATE:
May 1, 2015

ACCESS SERVICE

7. Special Access Service (Cont'd)

7.2 Description of Special Access (Cont'd)

7.2.17 ⁽¹⁾

(T)

(D)

(D)

⁽¹⁾ The CenturyLink services previously identified on this page are no longer offered under tariff. Effective March 13, 2015, the Commission granted forbearance from dominant carrier regulation of these services.

http://transition.fcc.gov/Daily_Releases/Daily_Business/2015/db0316/DOC-332526A1.pdf

The rates, terms and conditions associated with these services are now available at

<http://www.centurylink.com/Pages/AboutUs/Legal/Tariffs/displayTariffLandingPage.html>

ISSUE DATE:
April 16, 2015

Issued Under Transmittal No. 69
Vice President-Regulatory Operations
100 CenturyLink Drive
Monroe, Louisiana 71203

EFFECTIVE DATE:
May 1, 2015

Original Page 7-91

ACCESS SERVICE

7. Special Access Service (Cont'd)7.3 Channel Interface and Network Channel Codes

Network Channel Codes are comprised of four characters. The first and second characters describe the technical specifications package within the service type. The third and fourth characters describe and specify options associated with the service. The Telephone Company abides by nationally accepted standards in its use of Network Channel Codes and are available from the Telephone Company upon request.

Channel Interface Codes describe the electrical characteristics of the interface at the customer's premises. Compatible Channel Interface codes for the requested service must be specified by the customer when ordering the services. Channel Interface codes for each category of Special Access Service can be found in the Technical Reference Publications set forth in 7.2 preceding.

ISSUE DATE:
February 28, 2011

Issued Under Transmittal No. 1
Vice President-Regulatory Operations
100 CenturyLink Drive
Monroe, Louisiana 71203

EFFECTIVE DATE:
March 1, 2011

Original Page 7-92

ACCESS SERVICE

7. Special Access Service (Cont'd)7.3 Channel Interface and Network Channel Codes (Cont'd)7.3.1 Glossary of Channel Interface Codes and Options

<u>Code</u>	<u>Option</u>	<u>Definition</u>
AB	-	accepts 20 Hz ringing signal at customer's point of termination
AC	-	accepts 20 Hz ringing signal at customer's end user's point of termination
CT	-	Centrex Tie Trunk Termination
CM	-	SONET ADM Termination
DA	-	data stream in VF frequency band at customer's end user's point of termination
DB	-	data stream in VF frequency band at customer's point of termination
DC	-	direct current or voltage
	- 1	monitoring interface with series RC combination (McCulloh format)
	- 2	Telephone Company energized alarm channel

ISSUE DATE:
February 28, 2011

Issued Under Transmittal No. 1
Vice President-Regulatory Operations
100 CenturyLink Drive
Monroe, Louisiana 71203

EFFECTIVE DATE:
March 1, 2011

Original Page 7-93

ACCESS SERVICE

7. Special Access Service (Cont'd)7.3 Channel Interface and Network Channel Codes (Cont'd)7.3.1 Glossary of Channel Interface Codes and Options (Cont'd)

<u>Code</u>	<u>Option</u>	<u>Definition</u>
DS	-	digital hierarchy interface
	- 15	1.544 Mbps (DS1) format plus D4
	- 15B	1.544 Mbps (DS1) format plus D4 with B8ZS clear channel capability
	- 15E	8-bit PCM encoded in one 64 kbps of the DS1 signal
	- 15F	8-bit PCM encoded in two 64 kbps of the DS1 signal
	- 15G	8-bit PCM encoded in three 64 kbps of the DS1 signal
	- 15H	14/11-bit PCM encoded in six 64 kbps of the DS1 signal
	- 15J	1.544 Mbps format
	- 15K	1.544 Mbps format plus extended framing format
	- 15L	1.544 Mbps (DS1) with SF signaling
	- 15S	1.544 Mbps using B8ZS line code and extended framing format
	- 44	44.736 Mbps (DS3)
	- 44L	44.736 Mbps (DS3) with SF signaling

ISSUE DATE:
February 28, 2011

Issued Under Transmittal No. 1
Vice President-Regulatory Operations
100 CenturyLink Drive
Monroe, Louisiana 71203

EFFECTIVE DATE:
March 1, 2011

Original Page 7-94

ACCESS SERVICE

7. Special Access Service (Cont'd)7.3 Channel Interface and Network Channel Codes (Cont'd)7.3.1 Glossary of Channel Interface Codes and Options (Cont'd)

<u>Code</u>	<u>Option</u>	<u>Definition</u>
DU	-	digital access interface
	- 24	2.4 kbps
	- 48	4.8 kbps
	- 56	56.0 kbps
	- 64	64.0 kbps
	- 96	9.6 kbps
	- A	1.544 Mbps format
	- B	1.544 Mbps format plus D4
	- C	1.544 Mbps format plus extended framing format
	- D	1.544 Mbps format plus D4 with B8ZS clear channel capability.
	- S	1.544 Mbps using B8ZS line code and extended framing format
DX	-	duplex signaling interface at customer's point of termination
DY	-	duplex signaling interface at customer's end user's point of termination

ISSUE DATE:
February 28, 2011

Issued Under Transmittal No. 1
Vice President-Regulatory Operations
100 CenturyLink Drive
Monroe, Louisiana 71203

EFFECTIVE DATE:
March 1, 2011

Original Page 7-95

ACCESS SERVICE

7. Special Access Service (Cont'd)7.3 Channel Interface and Network Channel Codes (Cont'd)7.3.1 Glossary of Channel Interface Codes and Options (Cont'd)

<u>Code</u>	<u>Option</u>	<u>Definition</u>
EA	- E	Type I E&M Lead Signaling. Customer at POT or customer's end user at POT originates on E Lead.
EA	- M	Type I E&M Lead Signaling. Customer at POT or customer's end user at POT originates on M Lead.
EB	- E	Type II E&M Lead Signaling. Customer at POT or customer's end user at POT originates on E Lead.
EB	- M	Type II E&M Lead Signaling. Customer at POT or customer's end user at POT originates on M Lead.
EC	-	Type III E&M signaling at customer POT
EX	- A	tandem channel unit signaling for loop start or ground start and customer supplies open end (dial tone, etc.) functions
EX	- B	tandem channel unit signaling for loop start or ground start and customer supplies closed end (dial pulsing, etc.) functions
FC	-	Fiber Optic Interface
GO	-	ground start loop signaling - open end function by customer or customer's end user
GS	-	ground start loop signaling - closed end function by customer or customer's end user
IA	-	E.I.A. (25 pin RS-232)

ISSUE DATE:
February 28, 2011

Issued Under Transmittal No. 1
Vice President-Regulatory Operations
100 CenturyLink Drive
Monroe, Louisiana 71203

EFFECTIVE DATE:
March 1, 2011

ACCESS SERVICE

7. Special Access Service (Cont'd)7.3 Channel Interface and Network Channel Codes (Cont'd)7.3.1 Glossary of Channel Interface Codes and Options (Cont'd)

<u>Code</u>	<u>Option</u>	<u>Definition</u>	
KD	- A	Ethernet at 10 Mbps, full duplex LAN	
	- B	Ethernet at 10 Mbps, half duplex LAN	
KE	- A	Ethernet at 100 Mbps, full duplex LAN	
	- B	Ethernet at 100 Mbps, half duplex LAN	
KF	- L	Ethernet at 1000 Mbps, LAN	
KR	- A1	Ethernet Rate - Adjustable 1 Gbps, 100 Mbps, full duplex	
	- A3	Ethernet Rate – Adjustable 1 Gbps, 300 Mbps, full duplex	
	- A6	Ethernet Rate – Adjustable 1 Gbps, 600 Mbps, full duplex	
	- AB	Ethernet Rate – Adjustable 1 Gbps, 150 Mbps, full duplex	
	- AK	Ethernet Rate – Adjustable 1 Gbps, 450 Mbps, full duplex	
	KQ	- A2	Ethernet Rate – Adjustable 1 Gbps, 20 Mbps, full duplex
		- B2	Ethernet Rate – Adjustable 1 Gbps, 20 Mbps, half duplex
- A5		Ethernet Rate – Adjustable 1 Gbps, 50 Mbps, full duplex	
- B5		Ethernet Rate – Adjustable 1 Gbps, 50 Mbps, half duplex	

ISSUE DATE:
February 28, 2011

Issued Under Transmittal No. 1
Vice President-Regulatory Operations
100 CenturyLink Drive
Monroe, Louisiana 71203

EFFECTIVE DATE:
March 1, 2011

Original Page 7-97

ACCESS SERVICE

7. Special Access Service (Cont'd)7.3 Channel Interface and Network Channel Codes (Cont'd)7.3.1 Glossary of Channel Interface Codes and Options (Cont'd)

<u>Code</u>	<u>Option</u>	<u>Definition</u>
LA	-	end user loop start loop signaling - Type A OPS registered port open end
LB	-	end user loop start loop signaling - Type B OPS registered port open end
LC	-	end user loop start loop signaling - Type C OPS registered port open end
LO	-	loop start loop signaling - open end function by customer or customer's end user
LR	-	20 Hz automatic ringdown interface at customer POT with Telephone Company provided PLAR
LS	-	loop start loop signaling - closed end function by customer or customer's end user
NO	-	no signaling interface, transmission only
PG	-	program transmission - no dc signaling
	- 0	nominal frequency from 300 to 2500 Hz
	- 1	nominal frequency from 50 to 15000 Hz
	- 3	nominal frequency from 200 to 3500 Hz
	- 5	nominal frequency from 100 to 5000 Hz
	- 8	nominal frequency from 50 to 8000 Hz
PR	-	protective relaying*

* Available only for the transmission of audio tone protective relaying signals used in the protection of electric power systems during fault conditions.

ISSUE DATE:
February 28, 2011

Issued Under Transmittal No. 1
Vice President-Regulatory Operations
100 CenturyLink Drive
Monroe, Louisiana 71203

EFFECTIVE DATE:
March 1, 2011

Original Page 7-98

ACCESS SERVICE

7. Special Access Service (Cont'd)7.3 Channel Interface and Network Channel Codes (Cont'd)7.3.1 Glossary of Channel Interface Codes and Options (Cont'd)

<u>Code</u>	<u>Option</u>	<u>Definition</u>
QB	-	central office manual cross connect termination with no subrating capability
RV	- 0	reverse battery signaling, one way operation, originate by customer
	- T	reverse battery signaling, one way operation, terminate function by customer or customer's end user
SF	-	single frequency signaling with VF band at either customer POT or customer's end user POT
SM	-	SONET Terminal Multiplexer
SN	-	SONET Terminal Multiplexer
SO	-	SONET Optical
SP	-	SONET Multiplexer supporting drops of OC48, OC12 and/or OC3
SQ	-	SONET Multiplexer supporting drops of OC48, OC12, OC3 and STS1
ST	-	Synchronous Transmission Signal
TF	-	telephotograph interface
TT	-	teletypewriter interface at either customer POT or customer's end user POT
TT	- 2	20.0 milliamperes
	- 6	62.5 milliamperes
TV	-	television interface
	- 1	combined (diplexed) video and one audio signal
	- 2	combined (diplexed) video and two audio signals
	- 5	video plus one (or two) audio 5 kHz signal(s) or one (or two) two wire
	- 15	video plus one (or two) audio 15 kHz signal(s)

ISSUE DATE:
February 28, 2011

Issued Under Transmittal No. 1
Vice President-Regulatory Operations
100 CenturyLink Drive
Monroe, Louisiana 71203

EFFECTIVE DATE:
March 1, 2011

Original Page 7-99

ACCESS SERVICE

7. Special Access Service (Cont'd)

7.3 Channel Interface and Network Channel Codes (Cont'd)7.3.2 Impedance

The nominal reference impedance with which the channel will be terminated for the purpose of evaluating transmission performance:

<u>Value (ohms)</u>	<u>Code(s)</u>
110	0
150	1
600	2
900	3
1200	4
135	5
75	6
124	7
Variable	8
100	9

ISSUE DATE:
February 28, 2011

Issued Under Transmittal No. 1
Vice President-Regulatory Operations
100 CenturyLink Drive
Monroe, Louisiana 71203

EFFECTIVE DATE:
March 1, 2011

Original Page 7-100

ACCESS SERVICE

7. Special Access Service (Cont'd)7.3 Channel Interface and Network Channel Codes (Cont'd)7.3.3 Digital Hierarchy Channel Interface Codes

Customers selecting the multiplexed four-wire DSX-1 or higher facility interface option at the customer designated premises will be requested to provide subsequent system and channel assignment data. The various digital bit rates in the digital hierarchy employ the channel interface codes and speed options indicated below:

<u>Interface Code and Speed Option</u>	<u>Nominal Bit Rate (Mbps)</u>	<u>Digital Hierarchy Level</u>
4DS9-15	1.544	DS1
4DS6-44	44.736	DS3

ISSUE DATE:
February 28, 2011

Issued Under Transmittal No. 1
Vice President-Regulatory Operations
100 CenturyLink Drive
Monroe, Louisiana 71203

EFFECTIVE DATE:
March 1, 2011

Original Page 7-101

ACCESS SERVICE

7. Special Access Service (Cont'd)7.3 Channel Interface and Network Channel Codes (Cont'd)7.3.4 Service Designator/Network Channel Code Conversion Table

The purpose of this table is to show the relationship between the service designator codes (e.g., VGC, DA1, etc.) and the network channel codes that are used for various administrative purposes.

	<u>Service Designator Code</u>	<u>Network Channel Code</u>
Voice	VGC	UQ
	VG1	LB
	VG2	LC
	VG3	LD
	VG4	LE
	VG5	LF
	VG6	LG
	VG7	LH
	VG8	LJ
	VG9	LK
	VG10	LN
	VG11	LP
	VG12	LR

ISSUE DATE:
February 28, 2011

Issued Under Transmittal No. 1
Vice President-Regulatory Operations
100 CenturyLink Drive
Monroe, Louisiana 71203

EFFECTIVE DATE:
March 1, 2011

Original Page 7-102

ACCESS SERVICE

7. Special Access Service (Cont'd)7.3 Channel Interface and Network Channel Codes (Cont'd)7.3.4 Service Designator/Network Channel Code Conversion Table (Cont'd)

	<u>Service Designator Code</u>	<u>Network Channel Code</u>
Audio	APC	PQ
	AP0	PB
	AP1	PE
	AP2	PF
	AP3	PJ
	AP4	PK
Video	TVC	TQ
	TV1	TV
	TV2	TW
Digital Data	DA1	XA
	DA2	XB
	DA3	XG
	DA4	XH
High Capacity	HCO	HS
	HC1	HC
	HC3	HF

ISSUE DATE:
February 28, 2011Issued Under Transmittal No. 1
Vice President-Regulatory Operations
100 CenturyLink Drive
Monroe, Louisiana 71203EFFECTIVE DATE:
March 1, 2011

Original Page 7-103

ACCESS SERVICE

7. Special Access Service (Cont'd)7.3 Channel Interface and Network Channel Codes (Cont'd)7.3.5 Compatible Channel Interfaces

The following tables show the channel interface codes (CIs) which are compatible:

(A) Reserved For Future Use(B) Voice Grade

Compatible CIs		Compatible CIs		Compatible CIs	
4AB2	4AB2				
4AB2	4AC2	4AH5-B	6DA2	4AH6-D	2DY2
4AB3	4AC2	4AH5-B	4DA2	4AH6-C	9DY2
4AB2	2AC2	4AH5-B	2DA2	4AH6-C	9DY3
4AB3	2AC2			4AH6-C	6DY2
2AB2	2AC2	4AH6-D	4DE2	4AH6-C	6DY3
2AB3	2AC2	4AH6-C	4DE2	4AH6-C	4DY2
4AB2	4SF2	4AH5-B	4DE2	4AH6-C	2DY2
4AB3	4SF2	4AH6-D	2DE2	4AH5-B	9DY2
4AC2	4AC2	4AH6-C	2DE2	4AH5-B	9DY3
4AC2	2AC2	4AH5-B	2DE2	4AH5-B	6DY2
4AH6-D	4AC2			4AH5-B	6DY3
4AH6-D	2AC2	4AH6-D	4DX3	4AH5-B	4DY2
4AH6-C	4AC2	4AH6-C	4DX3	4AH5-B	2DY2
4AH6-C	2AC2	4AH5-B	4DX3		
4AH5-B	4AC2	4AH6-D	4DX2	4AH6-D	9EA2
4AH5-B	2AC2	4AH6-C	4DX2	4AH6-D	9EA3
		4AH5-B	4DX2	4AH6-D	6EA2-E
4AH6-D	2CT3			4AH6-D	6EA2-M
4AH6-C	2CT3	4AH6-D	9DY2	4AH6-D	4EA2-E
4AH5-B	2CT3	4AH6-D	9DY3	4AH6-D	4EA2-M
4AH6-D	6DA2	4AH6-D	6DY2	4AH6-C	9EA2
4AH6-D	4DA2	4AH6-D	6DY3	4AH6-C	9EA3
4AH6-D	2DA2	4AH6-D	4DY2	4AH6-C	6EA2-E
4AH6-C	6DA2				
4AH6-C	4DA2				
4AH6-C	2DA2				

ISSUE DATE:
February 28, 2011

Issued Under Transmittal No. 1
Vice President-Regulatory Operations
100 CenturyLink Drive
Monroe, Louisiana 71203

EFFECTIVE DATE:
March 1, 2011

Original Page 7-104

ACCESS SERVICE

7. Special Access Service (Cont'd)7.3 Channel Interface and Network Channel Codes (Cont'd)7.3.5 Compatible Channel Interfaces (Cont'd)(B) Voice Grade (Cont'd)

Compatible CIs		Compatible CIs		Compatible CIs	
4AH6-C	6EA2-M	4AH6-D	6GS2	4AH6-D	2LO2
4AH6-C	4EA2-E	4AH6-D	4GS2	4AH6-C	2LO3
4AH6-C	4EA2-M	4AH6-D	2GS3	4AH6-C	2LO2
4AH5-B	9EA2	4AH6-D	2GS2	4AH5-B	2LO3
4AH5-B	9EA3	4AH6-C	6GS2	4AH5-B	2LO2
4AH5-B	6EA2-E	4AH6-C	4GS2		
4AH5-B	6EA2-M	4AH6-C	2GS3	4AH6-D	4LR2
4AH5-B	4EA2-E	4AH6-C	2GS2	4AH6-D	2LR2
4AH5-B	4EA2-M	4AH5-B	6GS2	4AH6-C	4LR2
		4AH5-B	4GS2	4AH6-C	2LR2
4AH6-D	8EB2-E	4AH5-B	2GS3	4AH5-B	4LR2
4AH6-D	8EB2-M	4AH5-B	2GS2	4AH5-B	2LR2
4AH6-D	6EB2-E				
4AH6-D	6EB2-M	4AH6-D	2LA2	4AH6-D	6LS2
4AH6-C	8EB2-E	4AH6-C	2LA2	4AH6-D	4LS2
4AH6-C	8EB2-M	4AH5-B	2LA2	4AH6-D	2LS2
4AH6-C	6EB2-E			4AH6-D	2LS3
4AH6-C	6EB2-M	4AH6-D	2LB2	4AH6-C	6LS2
4AH5-B	8EB2-E	4AH6-C	2LB2	4AH6-C	4LS2
4AH5-B	8EB2-M	4AH5-B	2LB2	4AH6-C	2LS2
4AH5-B	6EB2-E			4AH6-C	2LS3
4AH5-B	6EB2-M	4AH6-D	2LC2	4AH5-B	6LS2
		4AH6-C	2LC2	4AH5-B	4LS2
4AH6-D	2GO2	4AH5-B	2LC2	4AH5-B	2LS2
4AH6-D	2GO3			4AH5-B	2LS3
4AH6-C	2GO2	4AH6-D	2LO3		
4AH6-C	2GO3				
4AH5-B	2GO2				
4AH5-B	2GO3				

ISSUE DATE:
February 28, 2011Issued Under Transmittal No. 1
Vice President-Regulatory Operations
100 CenturyLink Drive
Monroe, Louisiana 71203EFFECTIVE DATE:
March 1, 2011

Original Page 7-105

ACCESS SERVICE

7. Special Access Service (Cont'd)7.3 Channel Interface and Network Channel Codes (Cont'd)7.3.5 Compatible Channel Interfaces (Cont'd)(B) Voice Grade (Cont'd)

Compatible CIs		Compatible CIs		Compatible CIs	
4AH6-D	4NO2	4AH6-D	4TF2	2CT3	6EB2-E
4AH6-D	2NO2	4AH6-D	2TF2	2CT3	6EB2-M
4AH6-C	4NO2	4AH6-C	4TF2	2CT3	6EB3-E
4AH6-C	2NO2	4AH6-C	2TF2		
4AH5-B	4NO2	4AH5-B	4TF2	2CT3	8EB2-E
4AH5-B	2NO2	4AH5-B	2TF2	2CT3	8EB2-M
		2CT3	2CT3		
4AH6-D	4PR2	2CT3	4DS9-*	2CT3	8EC2
4AH6-D	2PR2				
4AH6-C	4PR2	2CT3	6DX2	2CT	4SF2
4AH6-C	2PR2	CT3	4DX2	2CT3	4SF3
4AH5-B	4PR2	2CT3	4DX3		
4AH5-B	2PR2				
4AH6-D	4RV2-T	2CT3	9DY3		
4AH6-D	2RV2-T	2CT3	6DY3		
4AH6-C	4RV2-T	2CT3	9DY2		
4AH6-C	2RV2-T	2CT3	6DY2		
4AH5-B	4RV2-T	2CT3	4DY2		
4AH5-B	2RV2-T	2CT3	2DY2		
4AH6-D	4SF2	2CT3	9EA3		
4AH6-C	4SF2	2CT3	9EA2		
4AH5-B	4SF2	2CT3	6EA2-E		
4AH6-D	4SF3	2CT3	6EA2-M		
4AH6-C	4SF3	2CT3	4EA2-E		
4AH5-B	4SF3	2CT3	4EA2-M		

* See 7.3.3 preceding for explanation.

ISSUE DATE:
February 28, 2011Issued Under Transmittal No. 1
Vice President-Regulatory Operations
100 CenturyLink Drive
Monroe, Louisiana 71203EFFECTIVE DATE:
March 1, 2011

Original Page 7-106

ACCESS SERVICE

7. Special Access Service (Cont'd)7.3 Channel Interface and Network Channel Codes (Cont'd)7.3.5 Compatible Channel Interfaces (Cont'd)(B) Voice Grade (Cont'd)

Compatible CIs		Compatible CIs	
		4DS9-*	4AC2
		4DS9-*	2AC2
		4DS9-*	6DA2
		4DS9-*	4DA2
		4DS9-*	2DA2
6DA2	6DA2	4DS9-*	4DE2
6DA2	4DA2	4DS9-*	2DE2
6DA2	2DA2		
4DA2	4DA2	4DS9-*	4DX3
4DA2	2DA2	4DS9-*	4DX2
2DA2	2DA2		
4DB2	6DA2	4DS9-*	9DY3
4DB2	4DA2	4DS9-*	9DY2
4DB2	2DA2	4DS9-*	6DY3
2DB3	2DA2	4DS9-*	6DY2
2DB2	2DA2	4DS9-*	4DY2
4DB2	4DB2	4DS9-*	2DY2
4DB2	4NO2		
4DB2	2NO2	4DS9-*	9EA2
2DB2	2NO2	4DS9-*	9EA3
		4DS9-*	6EA2-E
4DB2	4PR2	4DS9-*	6EA2-M
4DB2	2PR2	4DS9-*	4EA2-E
2DB2	2PR2	4DS9-*	4EA2-M
4DD3	4DE2		
4DD3	2DE2		

* See 7.3.3 preceding for explanation.

ISSUE DATE:
February 28, 2011Issued Under Transmittal No. 1
Vice President-Regulatory Operations
100 CenturyLink Drive
Monroe, Louisiana 71203EFFECTIVE DATE:
March 1, 2011

Original Page 7-107

ACCESS SERVICE

7. Special Access Service (Cont'd)7.3 Channel Interface and Network Channel Codes (Cont'd)7.3.5 Compatible Channel Interfaces (Cont'd)(B) Voice Grade (Cont'd)

Compatible CIs		Compatible CIs		Compatible CIs	
4DS9-*	8EB2-E	4DS9-*	4NO2	4DX3	9DY2
4DS9-*	8EB2-M	4DS9-*	2NO2	4DX2	6DY3
4DS9-*	6EB2-E			4DX3	6DY3
4DS9-*	6EB2-M	4DS9-*	4PR2	4DX2	6DY2
		4DS9-*	2PR2	4DX3	6DY2
4DS9-*	2GO2			4DX2	4DY2
4DS9-*	2GO3	4DS9-*	4RV2-T	4DX3	4DY2
4DS9-*	6GS2	4DS9-*	2RV2-T	4DX2	2DY2
4DS9-*	4GS2			4DX3	2DY2
4DS9-*	2GS2	4DS9-*	4SF2		
4DS9-*	2GS3	4DS9-*	4SF3	6DX2	9EA3
				6DX2	9EA2
4DS9-*	2LA2	4DS9-*	4TF2	6DX2	6EA2-E
		4DS9-*	2TF2	6DX2	6EA2-M
4DS9-*	2LB2			6DX2	4EA2-E
		4DX2	4DX2	6DX2	4EA2-M
4DS9-*	2LC2	4DX3	4DX2	4DX2	9EA2
		4DX3	4DX3	4DX3	9EA2
4DS9-*	2LO2			4DX2	9EA3
4DS9-*	2LO3	6DX2	9DY3	4DX3	9EA3
		6DX2	9DY2	4DX2	6EA2-E
4DS9-*	4LR2	6DX2	6DY3	4DX3	6EA2-E
4DS9-*	2LR2	6DX2	6DY2	4DX2	6EA2-M
		6DX2	4DY2	4DX3	6EA2-M
4DS9-*	6LS2	6DX2	2DY2	4DX2	4EA2-E
4DS9-*	4LS2	4DX2	9DY3	4DX3	4EA2-E
4DS9-*	2LS2	4DX3	9DY3	4DX2	4EA2-M
4DS9-*	2LS3	4DX2	9DY2	4DX3	4EA2-M

* See 7.3.3 preceding for explanation.

ISSUE DATE:
February 28, 2011Issued Under Transmittal No. 1
Vice President-Regulatory Operations
100 CenturyLink Drive
Monroe, Louisiana 71203EFFECTIVE DATE:
March 1, 2011

Original Page 7-108

ACCESS SERVICE

7. Special Access Service (Cont'd)7.3 Channel Interface and Network Channel Codes (Cont'd)7.3.5 Compatible Channel Interfaces (Cont'd)(B) Voice Grade (Cont'd)

Compatible CIs		Compatible CIs		Compatible CIs	
6DX2	8EB2-E	4DX2	6LS2	9DY2	6DY3
6DX2	8EB2-M	4DX3	6LS2	9DY3	4DY2
6DX2	6EB2-E	4DX3	4LS2	9DY2	4DY2
6DX2	6EB2-M	4DX2	4LS2	9DY2	2DY2
4DX2	8EB2-E	4DX3	2LS3	9DY3	2DY2
4DX2	8EB2-M	4DX2	2LS3	6DY3	6DY3
4DX3	8EB2-E	4DX3	2LS2	6DY3	6DY2
4DX3	8EB2-M	4DX2	2LS2	6DY2	6DY2
4DX2	6EB2-E	2DX3	2LS2	6DY3	4DY2
4DX2	6EB2-M	2DX3	2LS3	6DY3	2DY2
4DX3	6EB2-E			6DY2	4DY2
4DX3	6EB2-M	4DX3	4RV2-T	6DY2	2DY2
		4DX2	4RV2-T	4DY2	2DY2
4DX2	2LA2	4DX3	2RV2-T	4DY2	4DY2
4DX3	2LA2	4DX2	2RV2-T	2DY2	2DY2
2DX3	2LA2			6EA2-E	4AC2
		6DX2	4SF2	6EA2-M	4AC2
4DX2	2LB2	4DX2	4SF2	6EA2-E	2AC2
4DX3	2LB2	4DX3	4SF2	6EA2-M	2AC2
2DX3	2LB2	4DX2	4SF3		
		4DX3	4SF3	9EA2	9DY3
4DX2	2LC2			9EA2	9DY2
4DX3	2LC2	9DY3	9DY3	9EA2	6DY3
2DX3	2LC2	9DY3	9DY2	9EA2	6DY2
		9DY2	9DY2	9EA2	4DY2
4DX2	2LO3	9DY3	6DY3	9EA2	2DY2
4DX3	2LO3	9DY3	6DY2	9EA3	9DY3
2DX3	2LO3	9DY2	6DY2		

ISSUE DATE:
February 28, 2011Issued Under Transmittal No. 1
Vice President-Regulatory Operations
100 CenturyLink Drive
Monroe, Louisiana 71203EFFECTIVE DATE:
March 1, 2011

Original Page 7-109

ACCESS SERVICE

7. Special Access Service (Cont'd)7.3 Channel Interface and Network Channel Codes (Cont'd)7.3.5 Compatible Channel Interfaces (Cont'd)(B) Voice Grade (Cont'd)

Compatible CIs		Compatible CIs		Compatible CIs	
9EA3	9DY2	4EA2-M	9DY2	4EA3-E	9EA2
9EA3	6DY3	4EA2-M	6DY3	4EA3-E	9EA3
9EA3	6DY2	4EA2-M	6DY2	4EA2-M	4EA2-M
9EA3	4DY2	4EA2-M	4DY2		
9EA3	2DY2	4EA2-M	2DY2	9EA2	8EB2-E
6EA2-E	9DY3			9EA2	8EB2-M
6EA2-E	9DY2	9EA2	9EA2	9EA2	6EB2-E
6EA2-E	6DY3	9EA2	9EA3	9EA2	6EB2-M
6EA2-E	6DY2	9EA2	6EA2-E	9EA3	9EB2-E
6EA2-E	4DY2	9EA2	6EA2-M	9EA3	8EB2-M
6EA2-E	2DY2	9EA2	4EA2-E	9EA3	6EB2-E
6EA2-M	9DY3	9EA2	4EA2-M	9EA3	6EB2-M
6EA2-M	9DY2	9EA3	9EA3	6EA2-E	8EB2-E
6EA2-M	6DY3	9EA3	6EA2-E	6EA2-E	8EB2-M
6EA2-M	6DY2	9EA3	6EA2-M	6EA2-E	6EB2-E
6EA2-M	4DY2	9EA3	4EA2-E	6EA2-E	6EB2-M
6EA2-M	2DY2	9EA3	4EA2-M	6EA2-M	8EB2-E
4EA2-E	9DY3	6EA2-E	6EA2-E	6EA2-M	8EB2-M
4EA2-E	9DY2	6EA2-E	6EA2-M	6EA2-M	6EB2-E
4EA3-E	9DY3	6EA2-M	6EA2-M	6EA2-M	6EB2-M
4EA3-E	9DY2	6EA2-E	4EA2-E	4EA2-E	8EB2-E
4EA3-E	6DY3	6EA2-E	4EA2-M	4EA2-E	8EB2-M
4EA3-E	6DY2	6EA2-M	4EA2-E	4EA3-E	9EB2-E
4EA3-E	4DY2	6EA2-M	4EA2-M	4EA3-E	8EB2-M
4EA3-E	2DY2	4EA2-E	4EA2-E	4EA2-E	6EB2-E
4EA2-E	6DY3	4EA3-E	6EA2-E	4EA2-E	6EB2-M
4EA2-E	6DY2	4EA3-E	6EA2-M	4EA3-E	6EB2-E
4EA2-E	4DY2	4EA3-E	4EA2-E	4EA3-E	6EB2-M
4EA2-E	2DY2	4EA3-E	4EA2-M	4EA2-M	8EB2-E
4EA2-M	9DY3	4EA2-E	4EA2-M		

ISSUE DATE:
February 28, 2011Issued Under Transmittal No. 1
Vice President-Regulatory Operations
100 CenturyLink Drive
Monroe, Louisiana 71203EFFECTIVE DATE:
March 1, 2011

Original Page 7-110

ACCESS SERVICE

7. Special Access Service (Cont'd)7.3 Channel Interface and Network Channel Codes (Cont'd)7.3.5 Compatible Channel Interfaces (Cont'd)(B) Voice Grade (Cont'd)

Compatible CIs		Compatible CIs		Compatible CIs	
4EA2-M	8EB2-M	9EA3	4SF2	6EB3-E	9DY2
4EA2-M	6EB2-E	9EA2	4SF2	6EB3-E	9DY3
4EA2-M	6EB2-M	6EA2-E	4SF3	6EB2-E	6DY2
		6EA2-M	4SF3	6EB3-E	6DY2
6EA2-E	2LA2	6EA2-E	4SF2	6EB2-E	6DY3
6EA2-M	2LA2	6EA2-M	4SF2	6EB3-E	6DY3
		4EA3-E	4SF2	6EB2-E	4DY2
6EA2-E	2LB2	4EA2-E	4SF2	6EB3-E	2DY2
6EA2-M	2LB2	4EA2-M	4SF2	6EB3-E	4DY2
				6EB2-M	9DY2
6EA2-E	2LC2	8EB2-E	4AC2	6EB2-M	9DY3
6EA2-M	2LC2	8EB2-M	4AC2	6EB2-M	6DY2
		8EB2-E	2AC2	6EB2-M	6DY3
6EA2-E	2LO3	8EB2-M	2AC2	6EB2-M	4DY2
6EA2-M	2LO3			6EB2-E	2DY2
		8EB2-E	9DY3	6EB2-M	2DY2
6EA2-E	6LS2	8EB2-E	9DY2		
6EA2-M	6LS2	8EB2-E	6DY3	6EB3-E	9EA2
6EA2-E	4LS2	8EB2-E	6DY2	6EB3-E	9EA3
6EA2-M	4LS2	8EB2-E	4DY2	6EB3-E	6EA2-E
6EA2-E	2LS2	8EB2-E	2DY2	6EB3-E	6EA2-M
6EA2-M	2LS2	8EB2-M	9DY3	6EB3-E	4EA2-E
6EA2-E	2LS3	8EB2-M	9DY2	6EB3-E	4EA2-M
6EA2-M	2LS3	8EB2-M	6DY3		
		8EB2-M	6DY2	8EB2-E	8EB2-E
6EA2-E	4RV2-T	8EB2-M	4DY2	8EB2-E	8EB2-M
6EA2-M	4RV2-T	8EB2-M	2DY2	8EB2-M	8EB2-M
6EA2-E	2RV2-T	6EB2-E	9DY2	8EB2-E	6EB2-E
6EA2-M	2RV2-T	6EB2-E	9DY3	8EB2-E	6EB2-M

ISSUE DATE:
February 28, 2011Issued Under Transmittal No. 1
Vice President-Regulatory Operations
100 CenturyLink Drive
Monroe, Louisiana 71203EFFECTIVE DATE:
March 1, 2011

Original Page 7-111

ACCESS SERVICE

7. Special Access Service (Cont'd)7.3 Channel Interface and Network Channel Codes (Cont'd)7.3.5 Compatible Channel Interfaces (Cont'd)(B) Voice Grade (Cont'd)

Compatible CIs		Compatible CIs		Compatible CIs	
8EB2-M	6EB2-E	8EB2-E	4RV2-T	8EC2	8EB2-M
8EB2-M	6EB2-M	8EB2-M	4RV2-T	8EC2	6EB2-E
6EB2-E	6EB2-E	8EB2-E	2RV2-T	8EC2	6EB2-M
6EB2-E	6EB2-M	8EB2-M	2RV2-T		
6EB3-E	8EB2-E			8EC2	4SF2
6EB3-E	8EB2-M	8EB2-E	4SF2	6EX2-B	2GO3
6EB2-M	6EB2-M	8EB2-M	4SF2	6EX2-A	6GS2
		8EB2-E	4SF3	6EX2-A	4GS2
8EB2-E	2LA2	8EB2-M	4SF3	6EX2-A	2GS2
8EB2-M	2LA2	6EB3-E	4SF2	6EX2-A	2GS3
		6EB2-E	4SF2		
8EB2-E	2LB2	6EB2-M	4SF2	6EX2-B	2LA2
8EB2-M	2LB2				
		8EC2	9DY2	6EX2-B	2LB2
8EB2-E	2LC2	8EC2	9DY3		
8EB2-M	2LC2	8EC2	6DY2	6EX2-B	2LC2
		8EC2	6DY3		
8EB2-E	2LO3	8EC2	4DY2	6EX2-B	2LO2
8EB2-M	2LO3	8EC2	2DY2	6EX2-B	2LO3
8EB2-E	6LS2	8EC2	9EA2	6EX2-B	4LR2
8EB2-M	6LS2	8EC2	9EA3	6EX2-B	2LR2
8EB2-E	4LS2	8EC2	6EA2-E		
8EB2-M	4LS2	8EC2	6EA2-M	6EX2-A	6LS2
8EB2-E	2LS2	8EC2	4EA2-E	6EX2-A	4LS2
8EB2-M	2LS2	8EC2	4EA2-M	6EX2-A	2LS2
8EB2-E	2LS3			6EX2-A	2LS3
8EB2-M	2LS3	8EC2	8EB2-E		

ISSUE DATE:
February 28, 2011Issued Under Transmittal No. 1
Vice President-Regulatory Operations
100 CenturyLink Drive
Monroe, Louisiana 71203EFFECTIVE DATE:
March 1, 2011

Original Page 7-112

ACCESS SERVICE

7. Special Access Service (Cont'd)7.3 Channel Interface and Network Channel Codes (Cont'd)7.3.5 Compatible Channel Interfaces (Cont'd)(B) Voice Grade (Cont'd)

Compatible CIs		Compatible CIs		Compatible CIs	
6EX2-A	4SF2	6LO2	6LS2	4LR2	4SF2
6EX2-B	4SF2	6LO2	4LS2	4LR3	4SF2
		6LO2	2LS2		
6GO2	6GS2	6LO2	2LS3	6LS2	2LA2
6GO2	4GS2	4LO2	6LS2	4LS2	2LA2
6GO2	2GS2	4LO2	4LS2	4LS3	2LA2
6GO2	2GS3	4LO3	6LS2	2LS2	2LA2
4GO2	6GS2	4LO3	4LS2	2LS3	2LA2
4GO3	6GS2	4LO3	2LS3		
4GO2	4GS2	4LO3	2LS2	6LS2	2LB2
4GO3	4GS2	4LO2	2LS2	4LS2	2LB2
4GO2	2GS2	4LO2	2LS3	4LS3	2LB2
4GO2	2GS3	2LO3	2LS3	2LS2	2LB2
4GO3	2GS2	2LO3	2LS2	2LS3	2LB2
4GO3	2GS3	2LO2	2LS2		
2GO2	2GS2	2LO2	2LS3	6LS2	2LC2
2GO3	2GS2			4LS2	2LC2
2GO2	2GS3	6LO2	4SF2	4LS3	2LC2
2GO3	2GS3	4LO2	4SF2	2LS2	2LC2
		4LO3	4SF2	2LS3	2LC2
6GO2	4SF2				
4GO2	4SF2	4LR3	4LR2	6LS2	2LO3
4GO3	4SF2	4LR3	2LR2	6LS2	2LO2
		4LR2	4LR2	4LS2	2LO2
6GS2	2GO2	4LR2	2LR2	4LS2	2LO3
4GS2	4GO2	2LR2	2LR2	4LS3	2LO2
4GS3	2GO2	2LR3	2LR2	4LS3	2LO3
4GS2	2GO3				

ISSUE DATE:
February 28, 2011

Issued Under Transmittal No. 1
Vice President-Regulatory Operations
100 CenturyLink Drive
Monroe, Louisiana 71203

EFFECTIVE DATE:
March 1, 2011

Original Page 7-113

ACCESS SERVICE

7. Special Access Service (Cont'd)7.3 Channel Interface and Network Channel Codes (Cont'd)7.3.5 Compatible Channel Interfaces (Cont'd)(B) Voice Grade (Cont'd)

Compatible CIs		Compatible CIs		Compatible CIs	
6LS2	4SF2	4SF3	9DY2	4SF3	2LA2
4LS3	4SF2	4SF2	9DY3		
		4SF3	6DY3	4SF2	2LB2
4NO2	6DA2	4SF2	6DY2	4SF3	2LB2
4NO2	4DA2	4SF2	6DY3		
4NO2	2DA2	4SF3	6DY2	4SF2	2LC2
2NO2	6DA2	4SF2	4DY2	4SF3	2LC2
2NO2	4DA2	4SF3	4DY2		
2NO2	2DA2	4SF3	2DY2	4SF2	2LO3
4NO2	4DE2	4SF2	2DY2	4SF3	2LO3
4NO2	2DE2				
4NO2	4NO2	4SF3	9EA2	4SF2	2LR2
4NO2	2NO2	4SF3	9EA3	4SF3	4LR2
2NO2	2NO2	4SF3	4EA2-E	4SF3	2LR2
2NO3	2NO2	4SF3	4EA2-M		
				4SF3	6LS2
2NO3	2PR2	4SF3	6EB2-E	4SF2	4LS2
		4SF3	6EB2-M	4SF3	4LS2
4RV2-0	4RV2-T	4SF2	2GO3	4SF2	2LS2
4RV2-0	2RV2-T	4SF3	6GS2	4SF2	2LS3
2RV2-0	2RV2-T	4SF2	6GS2	4SF3	2LS2
		4SF2	4GS2	4SF3	2LS3
4RV2-0	4SF2	4SF3	4GS2		
		4SF2	2GS2	4SF3	4RV2-T
4SF2	4AC2	4SF2	2GS3	4SF2	4RV2-T
4SF2	2AC2	4SF3	2GS2	4SF2	2RV2-T
		4SF3	2GS3	4SF3	2RV2-T
4SF3	9DY3				
4SF2	9DY2	4SF2	2LA2	4SF3	4SF3

ISSUE DATE:
February 28, 2011

Issued Under Transmittal No. 1
Vice President-Regulatory Operations
100 CenturyLink Drive
Monroe, Louisiana 71203

EFFECTIVE DATE:
March 1, 2011

ACCESS SERVICE

7. Special Access Service (Cont'd)

7.3 Channel Interface and Network Channel Codes (Cont'd)

7.3.5 Compatible Channel Interfaces (Cont'd)

(B) Voice Grade (Cont'd)

Compatible CIs

4SF3 4SF2
4SF2 4SF2

4TF2 4TF2
4TF2 2TF2
2TF3 2TF2

ISSUE DATE:
February 28, 2011

Issued Under Transmittal No. 1
Vice President-Regulatory Operations
100 CenturyLink Drive
Monroe, Louisiana 71203

EFFECTIVE DATE:
March 1, 2011

Original Page 7-115

ACCESS SERVICE

7. Special Access Service (Cont'd)7.3 Channel Interface and Network Channel Codes (Cont'd)7.3.5 Compatible Channel Interfaces (Cont'd)(C) Program Audio

<u>Compatible CIs</u>		<u>Compatible CIs</u>		<u>Compatible CIs</u>	
4AH5-B	2PG1-0	4AH6-D	2PG1-0		
4AH5-B**	2PG1-3	4AH6-D**	2PG1-3	4DS9+-15F	2PG2-5
4AH5-B**	2PG1-5	4AH6-D**	2PG1-5	4DS9+-15G	2PG2-8
4AH5-B**	2PG1-8	4AH6-D**	2PG1-8	4DS9+-15H	2PG2-1
4AH5-B	2PG2-0	4AH6-D	2PG2-0	2PG2-0	2PG1-0
				2PG2-0	2PG2-0
4AH5-B**	2PG2-3	4AH6-D**	2PG2-3	2PG2-1	2PG1-1
4AH5-B**	2PG2-5	4AH6-D**	2PG2-5	2PG2-1	2PG2-1
4AH5-B**	2PG2-8	4AH6-D**	2PG2-8	2PG2-3	2PG1-3
4AH6-C	2PG1-0	4DS9-15E	2PG1-0		
4AH6-C**	2PG1-3	4DS9-15E+	2PG1-3	2PG2-3	2PG2-3
4AH6-C**	2PG1-5	4DS9-15F+	2PG1-5	2PG2-5	2PG1-5
4AH6-C**	2PG1-8	4DS9-15G+	2PG1-8	2PG2-5	2PG2-5
4AH6-C	2PG2-0				
4AH6-C**	2PG2-3	4DS9-15H+	2PG1-1	2PG2-8	2PG1-8
		4DS9-15E	2PG2-0		
4AH6-C**	2PG2-5	4DS9-15E+	2PG2-3	2PG2-8	2PG2-8
4AH6-C**	2PG2-8				

+ Compatible only with a multiplexed 4-wire DSX interface option at the Customer's designated premises and where the Customer provides subsequent system and channel assignment data.

** Compatible only with a multiplexed 4-wire High Capacity Analog interface option at the Customer's designated premises and where the Customer provides subsequent system and channel assignment data.

ISSUE DATE:
February 28, 2011

Issued Under Transmittal No. 1
Vice President-Regulatory Operations
100 CenturyLink Drive
Monroe, Louisiana 71203

EFFECTIVE DATE:
March 1, 2011

Original Page 7-116

ACCESS SERVICE

7. Special Access Service (Cont'd)7.3 Channel Interface and Network Channel Codes (Cont'd)7.3.5 Compatible Channel Interfaces (Cont'd)(D) Video

<u>Compatible CIs</u>		<u>Compatible CIs</u>		<u>Compatible CIs</u>	
2TV6-1	4TV6-15	4TV6-5	4TV6-5	6TV6-5	6TV6-5
2TV6-1	4TV7-15	4TV6-5	4TV7-5	6TV6-5	6TV7-5
2TV6-2	6TV6-15	4TV6-15	4TV6-15	6TV6-15	6TV6-15
2TV6-2	6TV7-15	4TV6-15	4TV7-15	6TV6-15	6TV7-15
2TV7-1	4TV6-15	4TV7-15	4TV6-15	6TV7-5	6TV6-5
2TV7-1	4TV7-15	4TV7-15	4TV7-15	6TV7-5	6TV7-5
2TV7-2	6TV6-15	4TV7-5	4TV6-5	6TV7-15	6TV6-15
2TV7-2	6TV7-15	4TV7-5	4TV7-5	6TV7-15	6TV7-15

(E) Reserved For Future Use(F) Reserved For Future Use

ISSUE DATE:
February 28, 2011

Issued Under Transmittal No. 1
Vice President-Regulatory Operations
100 CenturyLink Drive
Monroe, Louisiana 71203

EFFECTIVE DATE:
March 1, 2011

Original Page 7-117

ACCESS SERVICE

7. Special Access Service (Cont'd)7.3 Channel Interface and Network Channel Codes (Cont'd)7.3.5 Compatible Channel Interfaces (Cont'd)(G) Digital Data

<u>Compatible CIs</u>		<u>Compatible CIs</u>		<u>Compatible CIs</u>	
4DS9-15	4DS9-15+	4DS9-15	6DU5-24	4DU5-48	4DU5-48
4DS9-15	4DU5-19	4DS9-15	6DU5-64	4DU5-56	4DU5-56
4DS9-15	4DU5-24	4DS8-15	6DU5-48	4DU5-96	4DU5-96
4DS9-15	4DU5-48	4DS8-15	6DU5-56	6DU5-24	6DU5-24
4DS9-15	4DU5-56	4DS8-15	6DU5-96	6DU5-48	6DU5-48
4DS9-15	4DU5-64	4DU5-19	4DU5-19	6DU5-56	6DU5-56
4DS9-15	4DU5-96	4DU5-24	4DU5-24	6DU5-96	6DU5-96

(H) High Capacity

<u>Compatible CIs</u>		<u>Compatible CIs</u>	
		4DS9-15J	4DS9-15J
		4DS9-15K	4DS9-15K
		4DS9-15S	4DS9-15S
4DS6-44	4DS6-44	4DS9-15	6DU8-B
4DS6-44	6DU8-A,B or C	4DS9-15	4DU8-B
4DS6-44	4DU8-A,B or C	4DS9-15J	6DU8-A
4DS6-15	4DS9-15++	4DS9-15J	4DU8-A
4DS9-15K	4DU8-C	4DS9-15K	6DU8-B
4DS9-15S	4DU9-S	4DS9-15K	4DU8-B
		4DS9-15K	6DU8-C

- + Available only as a cross connect of two digital channels at appropriate digital speeds at a Telephone Company Hub.
- ++ Available also as a cross connect of two individual channels of 1.544 Mbps facilities at a Telephone Company Hub.

ISSUE DATE:
February 28, 2011

Issued Under Transmittal No. 1
Vice President-Regulatory Operations
100 CenturyLink Drive
Monroe, Louisiana 71203

EFFECTIVE DATE:
March 1, 2011

Original Page 7-118

ACCESS SERVICE

7. Special Access Service (Cont'd)7.3 Channel Interface and Network Channel Codes (Cont'd)7.3.5 Compatible Channel Interfaces (Cont'd)(H) High Capacity (Cont'd)

<u>Compatible CIs</u>		<u>Compatible CIs</u>	
2FCF-***	4DU9-***	4FCF-***	4DS6.44
2FCF-***	4DS9-15	2FCF-***	4QA6-31
2FCF-***	2FCF-***	4FCF-***	4QA6-31
2FCF-***	4DS6.44	2FCF-***	4QA9-10
4FCF-***	4DU9-***	4FCF-***	4QA9-10
4FCF-***	4DS9-15	2FCF-***	4QB9-11
4FCF-***	2FCF-**	4FCF-***	4QB9-11
		2FCF-***	4CS6-31

*** Values can be various combinations of alpha and numeric characters, not to exceed total bandwidth.

ISSUE DATE:
February 28, 2011

Issued Under Transmittal No. 1
Vice President-Regulatory Operations
100 CenturyLink Drive
Monroe, Louisiana 71203

EFFECTIVE DATE:
March 1, 2011

Original Page 7-119

ACCESS SERVICE

7. Special Access Service (Cont'd)7.3 Channel Interface and Network Channel Codes (Cont'd)7.3.5 Compatible Channel Interfaces (Cont'd)(H) High Capacity (Cont'd)

<u>Compatible CIs</u>		<u>Compatible CIs</u>	
4FCF-***	4CS6-31	2FCF-***	2FCF-***
2FCF-***	4CS9-11	4FCF-***	2FCF-***
4FCF-***	4CS9-11	2FCF-***	4FCF-***
2FCF-***	4CS9-10	4FCF-***	4FCF-***
4FCF-***	4CS9-10	2FCF-***	4CS6-33
		4FCF-***	4CS6-33
		4DS6-44A	4CS6-33
2FCF-***	4DS6-44A	4DS6-44I	4CS6-33
		4DS6-44	4CS6-33
4FCF-***	4DS6-44A	2FCF-***	4QA6-33
2FCF-***	4DS6-44I	4FCF-***	4QA6-33
		4DS6-44A	4QA6-33
4FCF-***	4DS6-44I	4DS6-44I	4QA6-33
		4DS6-44	4QA6-33

*** Values can be various combinations of alpha and numeric characters, not to exceed total bandwidth.

ISSUE DATE:
February 28, 2011

Issued Under Transmittal No. 1
Vice President-Regulatory Operations
100 CenturyLink Drive
Monroe, Louisiana 71203

EFFECTIVE DATE:
March 1, 2011

Original Page 7-120

ACCESS SERVICE

7. Special Access Service (Cont'd)7.3 Channel Interface and Network Channel Codes (Cont'd)7.3.5 Compatible Channel Interfaces (Cont'd)(H) High Capacity (Cont'd)

<u>Compatible CIs</u>		<u>Compatible CIs</u>	
		2FCF-***	4QB6-33
		4FCF-***	4QB6-33
		4DS6-44A	4QB6-33
2FCF-***	4QA6-30	4DS6-44I	4QB6-33
4FCF-***	4QA6-30	4DS6-44	4QB6-33
4DS6-44A	4QA6-30		
4DS6-44I	4QA6-30		
4DS6-44	4QA6-30		
		2FCF-***	4QBF-LL
		4FCF-***	4QBF-LL
		4DS6-44A	4QBF-LL
2FCF-***	4QB6-30	4DS6-44I	4QBF-LL
4FCF-***	4QB6-30	4DS6-44	4QBF-LL
4DS6-44A	4QB6-30		
4DS6-44I	4QB6-30		
4DS6-44	4QB6-30		

*** Values can be various combinations of alpha and numeric characters, not to exceed total bandwidth.

ISSUE DATE:
February 28, 2011

Issued Under Transmittal No. 1
Vice President-Regulatory Operations
100 CenturyLink Drive
Monroe, Louisiana 71203

EFFECTIVE DATE:
March 1, 2011

Original Page 7-121

ACCESS SERVICE

7. Special Access Service (Cont'd)7.3 Channel Interface and Network Channel Codes (Cont'd)7.3.5 Compatible Channel Interfaces (Cont'd)(H) High Capacity (Cont'd)

<u>Compatible CIs</u>		<u>Compatible CIs</u>	
4DS9-1S	4DJ9-***	2FCF-***	4CS6-31R
4DS9-1S	4CS6-31	2FCF-***	4CS9-11R
4DS9-1S	4CS6-31R	2FCF-***	4CS9-10R
4DS9-1S	4CS9-11	4DS9-15S	4CS6-31
4DS9-1S	4CS9-11R	4DS9-15S	4CS6-31R
4DS9-1S	4CS9-10	4DS9-15S	4CS9-11
4DS9-1S	4CS9-10R	4DS9-15S	4CS9-11R
4DS9-1S	4QA6-31	4DS9-15S	4CS9-10
4DS9-1S	4QA9-10	4DS9-15S	4CS9-10R
4DS9-1S	4QB9-11	4DS9-15S	4QA6-31
4DS9-1S	4DU9-1S	4DS9-15S	4QA9-10
4DS9-1S	4DU9-1SN	4DS9-15S	4QB9-11
4DS9-1S	4DU9-1SX	4DS9-15S	4DU9-S
4DS6-44	4DJ9-***	4DS9-15S	4DU9-SN
4DS6-44	4CS6-31	4DS9-15S	4DU9-SX
4DS6-44	4CS6-31R	4DS6-44	4DU9-S
4DS6-44	4CS9-11	4DS6-44	4DU9-SN
4DS6-44	4CS9-11R	4DS6-44	4DU9-SX
4DS6-44	4CS9-10	2FCF-***	4DU9-S
4DS6-44	4CS9-10R	2FCF-***	4DU9-SN
4DS6-44	4QA6-31	2FCF-***	4DU9-SX
4DS6-44	4QA9-10	4DJ9-***	4CS6-31
4DS6-44	4QB9-11	4DJ9-***	4CS6-31R
4DS6-44	4DU9-1S	4DJ9-***	4CS9-11
4DS6-44	4DU9-1SN	4DJ9-***	4CS9-11R
4DS6-44	4DU9-1SX	4DJ9-***	4CS9-10
2FCF-***	4DJ9-***	4DJ9-***	4CS9-10R

*** Values can be various combinations of alpha and numeric characters, not to exceed total bandwidth.

ISSUE DATE:
February 28, 2011

Issued Under Transmittal No. 1
Vice President-Regulatory Operations
100 CenturyLink Drive
Monroe, Louisiana 71203

EFFECTIVE DATE:
March 1, 2011

Original Page 7-122

ACCESS SERVICE

7. Special Access Service (Cont'd)7.3 Channel Interface and Network Channel Codes (Cont'd)7.3.5 Compatible Channel Interfaces (Cont'd)(H) High Capacity (Cont'd)

<u>Compatible CIs</u>		<u>Compatible CIs</u>	
4DJ9-***	4QA6-31	4DS9-15B	4DU9-D
4DJ9-***	4QA9-10	4DS9-15B	4DU9-DN
4DJ9-***	4QB9-11	4DS9-15B	4DU9-DX
4DJ9-***	4DU9-S	4DS9-1BN	4CS6-31
4DJ9-***	4DU9-SN	4DS9-1BN	4CS6-31R
4DJ9-***	4DU9-SX	4DS9-1BN	4CS9-11
4CM9-1	4CS6-31	4DS9-1BN	4CS9-11R
4CM9-1	4CS6-31R	4DS9-1BN	4CS9-10
4CM9-1	4CS9-11	4DS9-1BN	4CS9-10R
4CM9-1	4CS9-11R	4DS9-1BN	4QA6-31
4CM9-1	4CS9-10	4DS9-1BN	4QA9-10
4CM9-1	4CS9-10R	4DS9-1BN	4QB9-11
4CM9-1	4QA6-31	4DS9-1BN	4DU9-D
4CM9-1	4QA9-10	4DS9-1BN	4DU9-DN
4CM9-1	4QB9-11	4DS9-1BN	4DU9-DX
4CM9-1	4DU9-S	4DS6-44	4DU9-D
4CM9-1	4DU9-SN	4DS6-44	4DU9-DN
4CM9-1	4DU9-SX	4DS6-44	4DU9-DX
4DS9-15B	4CS6-31	2FCF-***	4DU9-D
4DS9-15B	4CS6-31R	2FCF-***	4DU9-DN
4DS9-15B	4CS9-11	2FCF-***	4DU9-DX
4DS9-15B	4CS9-11R	4DJ9-***	4DU9-D
4DS9-15B	4CS9-10	4DJ9-***	4DU9-DN
4DS9-15B	4CS9-10R	4DJ9-***	4DU9-DX
4DS9-15B	4QA6-31	4CM9-1	4DU9-D
4DS9-15B	4QA9-10	4CM9-1	4DU9-DN
4DS9-15B	4QB9-11	4CM9-1	4DU9-DX

*** Values can be various combinations of alpha and numeric characters, not to exceed total bandwidth.

ISSUE DATE:
February 28, 2011

Issued Under Transmittal No. 1
Vice President-Regulatory Operations
100 CenturyLink Drive
Monroe, Louisiana 71203

EFFECTIVE DATE:
March 1, 2011

Original Page 7-123

ACCESS SERVICE

7. Special Access Service (Cont'd)7.3 Channel Interface and Network Channel Codes (Cont'd)7.3.5 Compatible Channel Interfaces (Cont'd)(H) High Capacity (Cont'd)

<u>Compatible CIs</u>		<u>Compatible CIs</u>	
4DS9-1K	4CS6-31	2FCF-***	4DU9-1K
4DS9-1K	4CS6-31R	2FCF-***	4DU9-1KN
4DS9-1K	4CS9-11	2FCF-***	4DU9-1KX
4DS9-1K	4CS9-11R	4DJ9-***	4DU9-1K
4DS9-1K	4CS9-10	4DJ9-***	4DU9-1KN
4DS9-1K	4CS9-10R	4DJ9-***	4DU9-1KX
4DS9-1K	4QA6-31	4CM9-1	4DU9-1K
4DS9-1K	4QA9-10	4CM9-1	4DU9-1KN
4DS9-1K	4QB9-11	4CM9-1	4DU9-1KX
4DS9-1K	4DU9-1K	4DS9-1S	4DU9-1SB
4DS9-1K	4DU9-1KN	4DS9-1SN	4CS6-31
4DS9-1K	4DU9-1KX	4DS9-1SN	4CS6-31R
4DS9-1KN	4CS6-31	4DS9-1SN	4CS9-11
4DS9-1KN	4CS6-31R	4DS9-1SN	4CS9-11R
4DS9-1KN	4CS9-11	4DS9-1SN	4CS9-10
4DS9-1KN	4CS9-11R	4DS9-1SN	4CS9-10R
4DS9-1KN	4CS9-10	4DS9-1SN	4QA6-31
4DS9-1KN	4CS9-10R	4DS9-1SN	4QA9-10
4DS9-1KN	4QA6-31	4DS9-1SN	4QB9-11
4DS9-1KN	4QA9-10	4DS9-1SN	4DU9-1S
4DS9-1KN	4QB9-11	4DS9-1SN	4DU9-1SN
4DS9-1KN	4DU9-1K	4DS9-1SN	4DU9-1SB
4DS9-1KN	4DU9-1KN	4DS9-1SN	4DU9-1SN
4DS9-1KN	4DU9-1KX	4DS6-44	4DU9-1SB
4DS6-44	4DU9-1K	2FCF-***	4DU9-1SB
4DS6-44	4DU9-1KN	4DJ9-***	4DU9-1S
4DS6-44	4DU9-1KX	4DJ9-***	4DU9-1SN

*** Values can be various combinations of alpha and numeric characters, not to exceed total bandwidth.

ISSUE DATE:
February 28, 2011

Issued Under Transmittal No. 1
Vice President-Regulatory Operations
100 CenturyLink Drive
Monroe, Louisiana 71203

EFFECTIVE DATE:
March 1, 2011

Original Page 7-124

ACCESS SERVICE

7. Special Access Service (Cont'd)7.3 Channel Interface and Network Channel Codes (Cont'd)7.3.5 Compatible Channel Interfaces (Cont'd)(H) High Capacity (Cont'd)

<u>Compatible CIs</u>		<u>Compatible CIs</u>	
4DJ9-***	4DU9-1SB	4CMF-C3	2SMF-***
4DJ9-***	4DU9-1SX	4CMF-C3	4SMF-***
4CM9-1	4DU9-1S	4CMF-C3	2SOF-***
4CM9-1	4DU9-1SN	4CMF-C3	4CMF-C3
4CM9-1	4DU9-1SB		
4CM9-1	4DU9-1SX		
4DS9-15B	4DU9-D		
4DS9-15B	4DU9-DN		
4DS9-15B	4DU9-DX		
4DS9-1BN	4DU9-D		
4DS9-1BN	4DU9-DN		
4DS9-1BN	4DU9-DX		
4DS6-44	4DU9-D		
4DS6-44	4DU9-DN		
4DS6-44	4DU9-DX		
2FCF-***	4DU9-D		
2FCF-***	4DU9-DN		
2FCF-***	4DU9-DX		
4DJ9-***	4DU9-D		
4DJ9-***	4DU9-DN		
4DJ9-***	4DU9-DX		
4CM9-1	4DU9-D		
4CM9-1	4DU9-DN		
4CM9-1	4DU9-DX		

*** Values can be various combinations of alpha and numeric characters, not to exceed total bandwidth.

ISSUE DATE:
February 28, 2011

Issued Under Transmittal No. 1
Vice President-Regulatory Operations
100 CenturyLink Drive
Monroe, Louisiana 71203

EFFECTIVE DATE:
March 1, 2011

Original Page 7-125

ACCESS SERVICE

7. Special Access Service (Cont'd)7.4 Rate Regulations

This section contains the specific regulations governing the rates and charges that apply for Special Access Service.

7.4.1 Types of Rates and Charges

There are four types of rates and charges. These are monthly rates, daily rates, nonrecurring charges, and zone density charges. The rates and charges are described as follows:

(A) Monthly Rates

Monthly rates are flat recurring rates that apply each month or fraction thereof that a Special Access Service is provided. For billing purposes, each month is considered to have 30 days.

(B) Daily Rates

Daily rates are flat recurring rates that apply to each 24 hour period or fraction thereof that a Program Audio or Video Special Access Service is provided for part-time or occasional use. For purposes of applying daily rates, the 24 hour period is not limited to a calendar day.

The application of daily rates during a consecutive 30 day period will be capped at an amount equal to the monthly rate.

ISSUE DATE:
February 28, 2011

Issued Under Transmittal No. 1
Vice President-Regulatory Operations
100 CenturyLink Drive
Monroe, Louisiana 71203

EFFECTIVE DATE:
March 1, 2011

ACCESS SERVICE

7. Special Access Service (Cont'd)

7.4 Rate Regulations (Cont'd)

7.4.1 Types of Rates and Charges (Cont'd)

(C) Nonrecurring Charges

Nonrecurring charges are one-time charges that apply for specific work activity (i.e., installation or change to an existing service). When service is jointly provided under the Single Bill Method of Multiple Company (Interconnection Point) Billing, the nonrecurring charges are applicable to all nonrecurring functions in the provision of Special Access Non-Competitive End User Channel Terminations (EUCT). Under the Multiple Bill Method, the nonrecurring charges are applicable only when the nonrecurring function occurs within the Company's territory. The types of nonrecurring charges that apply for Special Access Non-Competitive EUCTs are: installation of service, installation of optional features and functions, and service rearrangements.

ISSUE DATE:
October 17, 2017

Issued Under Transmittal No. 96
Vice President-Regulatory Operations
100 CenturyLink Drive
Monroe, Louisiana 71203

EFFECTIVE DATE:
November 1, 2017

1st Revised Page 7-127
 Cancels Original Page 7-127

ACCESS SERVICE

7. Special Access Service (Cont'd)7.4 Rate Regulations (Cont'd)7.4.1 Types of Rates and Charges (Cont'd)(C) Nonrecurring Charges (Cont'd)(1) Installation of Service

Nonrecurring charges apply to each service installed. The nonrecurring charges for the installation of service are set forth in 7.5 following as a nonrecurring charge for the Non-Competitive End User Channel Termination (EUCT) rate element.

(C)

(C)

(2) Installation of Optional Features and Functions

Nonrecurring charges apply for the installation of some of the optional features and functions available with Special Access Non-Competitive EUCTs. The charge applies whether the feature or function is installed coincident with the initial installation of service or at any time subsequent to the installation of the service.

(C)

The optional features and functions for which nonrecurring charges apply are set forth in 7.5.2, 7.5.3, 7.5.7 and 7.5.8 following.

ISSUE DATE:
 October 17, 2017

Issued Under Transmittal No. 96
 Vice President-Regulatory Operations
 100 CenturyLink Drive
 Monroe, Louisiana 71203

EFFECTIVE DATE:
 November 1, 2017

ACCESS SERVICE

7. Special Access Service (Cont'd)7.4 Rate Regulations (Cont'd)7.4.1 Types of Rates and Charges (Cont'd)(C) Nonrecurring Charges (Cont'd)(3) Service Rearrangements

Service rearrangements are changes to existing (installed) services which do not result in either a change in the minimum period requirements as set forth in 5.2.6(E) preceding or a change in the physical location of the point of termination at a customer designated premises. Changes in the type of service or service termination are treated as disconnects and starts. Changes in the physical location of the point of the termination are treated as moves and are described and charged for as set forth in 7.4.5 following.

The nonrecurring charges associated with upgrades in capacity (i.e., multiple DS0s converting to DS1s or multiple DS1s converting to DS3s) will not apply when the customer maintains the same customer premises location. Requests to add or change optional features will be subject to the nonrecurring charges associated with the features requested.

ISSUE DATE:
February 28, 2011

Issued Under Transmittal No. 1
Vice President-Regulatory Operations
100 CenturyLink Drive
Monroe, Louisiana 71203

EFFECTIVE DATE:
March 1, 2011

Original Page 7-129

ACCESS SERVICE

7. Special Access Service (Cont'd)7.4 Rate Regulations (Cont'd)7.4.1 Types of Rates and Charges (Cont'd)(C) Nonrecurring Charges (Cont'd)(3) Service Rearrangements (Cont'd)

The charge to the customer for the service rearrangement is dependent on whether the change is administrative only in nature or involves actual physical change to the service.

Administrative changes will be made without charge(s) to the customer. Such changes require the continued provision and billing of the Access Service to the same entity (i.e., customer remains responsible for the Access Service).

Administrative changes are as follows:

- Change of customer name (i.e., the customer of record does not change but rather the customer of record changes its name—e.g., AT&T-Long Lines to AT&T Communications),
- Change of customer or customer's end user premises address when the change of address is not a result of a physical relocation of equipment,
- Change in billing data (name, address, or contact name or telephone number)
- Change of agency authorization,
- Change of customer circuit identification,
- Change of billing account number,
- Change of customer test line number,
- Change of customer or customer's end user contact name or telephone number, and
- Change of jurisdiction.

ISSUE DATE:
February 28, 2011

Issued Under Transmittal No. 1
Vice President-Regulatory Operations
100 CenturyLink Drive
Monroe, Louisiana 71203

EFFECTIVE DATE:
March 1, 2011

ACCESS SERVICE

7. Special Access Service (Cont'd)

7.4 Rate Regulations (Cont'd)

7.4.1 Types of Rates and Charges (Cont'd)

(C) Nonrecurring Charges (Cont'd)

(3) Service Rearrangements (Cont'd)

All other service rearrangements will be charged for as follows:

- If the change involves the addition of another leg to an existing multipoint service, the nonrecurring charge for the Non-Competitive End User Channel Termination (EUCT) rate element will apply. The charge will apply only for the leg that is being added. (C)
(C)
- If the change involves changing the type of signaling on a Voice Grade service, a charge equal to the Voice Grade Non-Competitive EUCT rate element nonrecurring charge will apply. The charge will apply per Non-Competitive EUCT affected. (C)
(C)

ISSUE DATE:
October 17, 2017

Issued Under Transmittal No. 96
Vice President-Regulatory Operations
100 CenturyLink Drive
Monroe, Louisiana 71203

EFFECTIVE DATE:
November 1, 2017

1st Revised Page 7-131
Cancels Original Page 7-131

ACCESS SERVICE

7. Special Access Service (Cont'd)

7.4 Rate Regulations (Cont'd)

7.4.1 Types of Rates and Charges (Cont'd)

(C) Nonrecurring Charges (Cont'd)

(3) Service Rearrangements (Cont'd)

(D)
|
(D)

- For all other changes, including the addition of optional features without separate nonrecurring charges, a charge equal to one half the nonrecurring installation charges associated with the month-to-month rates for the service will apply.

ISSUE DATE:
October 17, 2017

Issued Under Transmittal No. 96
Vice President-Regulatory Operations
100 CenturyLink Drive
Monroe, Louisiana 71203

EFFECTIVE DATE:
November 1, 2017

1st Revised Page 7-132
 Cancels Original Page 7-132

ACCESS SERVICE

7. Special Access Service (Cont'd)7.4 Rate Regulations (Cont'd)7.4.1 Types of Rates and Charges (Cont'd)(D) Zone Density Charges

Zone density charges are applicable only to DS1 and DS3 special access Non-Competitive End User Channel Terminations (EUCTs) provided at the Company designated exchanges set forth in Section 7.4.10 following. Zone density charges are flat recurring rates that apply each month or fraction thereof that a special access Non-Competitive EUCT is provided. For billing purposes, each month is considered to have 30 days. (C)
(C)
(C)
(C)

7.4.2 Surcharge for Special Access Service(A) General

In addition to the rates and charges described in 7.4.1 preceding, there is a monthly surcharge that applies to Special Access Service. The Special Access Surcharge compensates the Company for use of the local exchange network when Special Access Service is connected to a PBX or equivalent device which is capable of interconnecting the Special Access Service with local exchange service. (C)

The Company will automatically bill the surcharge on each Special Access Service installed irrespective of whether the interconnection capability exists in the customer's premises equipment or in a Centrex-CO type switch unless written certification is received from the customer certifying exemption status as set forth in (B) following. (C)

ISSUE DATE:
 October 17, 2017

Issued Under Transmittal No. 96
 Vice President-Regulatory Operations
 100 CenturyLink Drive
 Monroe, Louisiana 71203

EFFECTIVE DATE:
 November 1, 2017

Original Page 7-133

ACCESS SERVICE

7. Special Access Service (Cont'd)7.4 Rate Regulations (Cont'd)7.4.2 Surcharge for Special Access Service (Cont'd)(B) Special Access Surcharge Exemptions

The Special Access Service will be exempted from the surcharge if the customer provides the Telephone Company written certification that the Special Access channel termination is one of the following:

- (1) an open-end termination in a Telephone Company switch of an FX line, including CCSA and CCSA-equivalent ONALs; or
- (2) an analog termination that is used for radio or television program transmission; or
- (3) a termination used for TELEX service; or
- (4) a termination that by the nature of its operating characteristics could not make use of Telephone Company common lines; or
- (5) a termination that interconnects either directly or indirectly to the local exchange network where the usage is subject to Carrier Common Line charges such as, where the Special Access Service accesses only FGA and no local exchange lines, or Special Access Service between customer points of termination or Special Access Service connecting CCSA or CCSA-type equipment (inter-machine trunks); or

ISSUE DATE:
February 28, 2011

Issued Under Transmittal No. 1
Vice President-Regulatory Operations
100 CenturyLink Drive
Monroe, Louisiana 71203

EFFECTIVE DATE:
March 1, 2011

ACCESS SERVICE

7. Special Access Service (Cont'd)

7.4 Rate Regulations (Cont'd)

7.4.2 Surcharge for Special Access Service (Cont'd)

(B) Special Access Surcharge Exemptions (Cont'd)

- (6) a termination that the customer certifies to the Telephone Company is not connected to a PBX or other device capable of interconnecting the special access facility to a local exchange subscriber line.

(C) Exemption Certification

- (1) Special Access Services which are terminated as set forth in (B) preceding will be exempted from the Special Access Surcharge if the customer provides the Telephone Company with a written notification certifying exemption. Such notification shall be provided by the customer (1) at the time the Special Access Service is ordered or installed; (2) at such time as the Special Access Service is reterminated to a device not capable of interconnecting to the local exchange network, or (3) at such time as the Special Access Service becomes associated with a Switched Access Service that is subject to Carrier Common Line charges.

ISSUE DATE:
February 28, 2011

Issued Under Transmittal No. 1
Vice President-Regulatory Operations
100 CenturyLink Drive
Monroe, Louisiana 71203

EFFECTIVE DATE:
March 1, 2011

Original Page 7-135

ACCESS SERVICE

7. Special Access Service (Cont'd)7.4 Rate Regulations (Cont'd)7.4.2 Surcharge for Special Access Service (Cont'd)(C) Exemption Certification (Cont'd)

- (2) If written certification is not received at the time the Special Access Service is obtained, the surcharge will be applied. Exempt status will become effective on the certification date indicated by the customer, subject to the regulations in (D) following.
- (3) The exemption certification is to be provided by the customer ordering the service. The certification must be signed by the customer or authorized representative and include the category of exemption, as set forth in (B) preceding, for each termination, and the date which the exemption is effective.
- (4) The customer shall also notify the Telephone Company when an exempted Special Access Service is changed or reterminated such that the exemption is no longer applicable.
- (5) The Telephone Company will work cooperatively with the customer to resolve any questions regarding the exemption certification. In addition, the Telephone Company may withhold exemption of the service until the questions are resolved.

(D) Crediting the Surcharge

The Telephone Company will cease billing the Special Access Surcharge when certification is received that the Special Access Service has become exempt from the surcharge, as set forth in (B) preceding. If the status of the Special Access Service was changed prior to receipt of the exemption certification, the Telephone Company will credit the customer's account, not to exceed ninety (90) days, based on the effective date of the change specified by the customer in the letter of certification.

ISSUE DATE:
February 28, 2011

Issued Under Transmittal No. 1
Vice President-Regulatory Operations
100 CenturyLink Drive
Monroe, Louisiana 71203

EFFECTIVE DATE:
March 1, 2011

Original Page 7-136

ACCESS SERVICE

7. Special Access Service (Cont'd)7.4 Rate Regulations (Cont'd)7.4.2 Surcharge for Special Access Service (Cont'd)(E) Application of Rates

- (1) The monthly Special Access Surcharge applies to Special Access Services arranged, as set forth in (A) preceding, on a per voice grade equivalent basis as shown in the following example.

<u>Special Access Service</u>	<u>Voice Grade Equivalent</u>		<u>Surcharge</u>	<u>Monthly Charge</u>
Voice Grade	1	X	\$25	\$ 25.00
High Capacity				
DS1	24	X	\$25	\$600.00
DS3	672	X	\$25	\$16,800.00

The preceding example illustrates the maximum number of surcharges applicable to a DS1. If the customer claims exemption(s) as set forth in 7.4.2(C) preceding, or is not utilizing all available voice grade equivalents and has spare capacity, the number of surcharges would be reduced accordingly.

ISSUE DATE:
February 28, 2011

Issued Under Transmittal No. 1
Vice President-Regulatory Operations
100 CenturyLink Drive
Monroe, Louisiana 71203

EFFECTIVE DATE:
March 1, 2011

ACCESS SERVICE

7. Special Access Service (Cont'd)

7.4 Rate Regulations (Cont'd)

7.4.2 Surcharge for Special Access Service (Cont'd)

(E) Application of Rates (Cont'd)

- (2) In the case of multipoint Special Access Service, one Special Access Surcharge will apply for each termination at a customer designated premises except that no surcharge applies at the customer designated premises at which the Access Service is connected to Interstate Service.
- (3) The Telephone Company will bill the surcharge to the customer who orders the Special Access Service unless the Service is exempt as set forth in (B) preceding.

ISSUE DATE:
February 28, 2011

Issued Under Transmittal No. 1
Vice President-Regulatory Operations
100 CenturyLink Drive
Monroe, Louisiana 71203

EFFECTIVE DATE:
March 1, 2011

ACCESS SERVICE

7. Special Access Service (Cont'd)

7.4 Rate Regulations (Cont'd)

7.4.3 Minimum Periods

The minimum service period for all special access Non-Competitive End User Channel Terminations (EUCTs), except part-time and occasional Video and Program Audio services is one month. The minimum service period for part-time and occasional Video and Program Audio Services is one day (i.e., a continuous 24 hour period, not limited to a calendar day). (C)
(C)
(C)

7.4.4 Reserved For Future Use

7.4.5 Moves

A move involves a change in the physical location of one of the following:

- The Point of Termination at the customer's premises
- The customer's premises

The charges for the move are dependent on whether the move is to a new location within the same building or to a different building.

ISSUE DATE:
October 17, 2017

Issued Under Transmittal No. 96
Vice President-Regulatory Operations
100 CenturyLink Drive
Monroe, Louisiana 71203

EFFECTIVE DATE:
November 1, 2017

Original Page 7-139

ACCESS SERVICE

7. Special Access Service (Cont'd)7.4 Rate Regulations (Cont'd)7.4.5 Moves (Cont'd)(A) Moves Within the Same Building

Moves within the same building will be considered a rearrangement, and the associated nonrecurring charges will apply. There will be no change in the minimum period requirements.

(B) Moves to a Different Building

Moves to a different building will be treated as a discontinuance and start of service and all associated nonrecurring charges will apply. New minimum period requirements will be established for the new services. The customer will also remain responsible for satisfying all outstanding minimum period charges for the disconnected service.

ISSUE DATE:
February 28, 2011

Issued Under Transmittal No. 1
Vice President-Regulatory Operations
100 CenturyLink Drive
Monroe, Louisiana 71203

EFFECTIVE DATE:
March 1, 2011

1st Revised Page 7-140
Cancels Original Page 7-140

ACCESS SERVICE

7. Special Access Service (Cont'd)

7.4 Rate Regulations (Cont'd)

7.4.6 Reserved For Future Use

(D)

(D)

ISSUE DATE:
October 17, 2017

Issued Under Transmittal No. 96
Vice President-Regulatory Operations
100 CenturyLink Drive
Monroe, Louisiana 71203

EFFECTIVE DATE:
November 1, 2017

ACCESS SERVICE

7. Special Access Service (Cont'd)

7.4 Rate Regulations (Cont'd)

7.4.7 Facility Hubs

A customer has the option of ordering Voice Grade Non-Competitive End User Channel Termination (EUCT) or High Capacity Non-Competitive EUCT to facility hub for channelizing to individual services requiring lower capacity facilities (e.g., Voice, Program Audio, etc.). (C)
(C)

A Hub is a Company designated serving wire center at which bridging or multiplexing functions are performed. The bridging functions performed are to connect three or more customer designated premises in a multipoint arrangement. The multiplexing functions are to channelize digital facilities to individual services requiring a lower capacity or bandwidth. (C)

Different locations may be designated as hubs for different facility capabilities, e.g., multiplexing from digital to digital may occur at one location while multiplexing from digital to analog may occur at a different location. When placing an Access Order the customer will specify the desired hub. Serving wire centers and hub locations are identified in the National Exchange Carrier Association, Inc. Tariff F.C.C. No. 4. (C)

(D)
(D)

1st Revised Page 7-142
Cancels Original Page 7-142

ACCESS SERVICE

7. Special Access Service (Cont'd)

7.4 Rate Regulations (Cont'd)

7.4.7 Facility Hubs (Cont'd)

Point to point services may be provided on channels of these services to a hub. The transmission performance for the point to point service provided between customer designated premises will be that of the lower capacity or bit rate. For example, when a 1.544 Mbps channel is multiplexed to voice frequency channels, the transmission performance of the channelized service will be Voice Grade, not High Capacity.

The Telephone Company will commence billing the monthly rate for the service to the hub on the date specified by the customer on the Access Order. Individual channels utilizing these services may be installed coincident with the installation of the service to the hub or may be ordered and/or installed at a later date, at the option of the customer. The customer will be billed for a Voice Grade or a High Capacity Non-Competitive End User Channel Termination (EUCT) at the time the service is installed. Individual service rates (by service type) will apply for a Non-Competitive EUCT for each channelized service. These will be billed to the customer as each individual service is installed.

(C)
(C)
(C)
(C)

(D)
|
(D)

ISSUE DATE:
October 17, 2017

Issued Under Transmittal No. 96
Vice President-Regulatory Operations
100 CenturyLink Drive
Monroe, Louisiana 71203

EFFECTIVE DATE:
November 1, 2017

1st Revised Page 7-143
Cancels Original Page 7-143

ACCESS SERVICE

7. Special Access Service (Cont'd)

7.4 Rate Regulations (Cont'd)

7.4.7 Facility Hubs (Cont'd)

(D)

(D)

The Company will designate hubs for Video Services. Full-time or part-time service may be provided between customer designated premises or between a customer designated premises and a hub and billed accordingly at the rates set forth in 7.5.3 or 7.5.4 following for a Non-Competitive End User Channel Termination (EUCT) and Optional Features and Functions, as applicable.

(C)

(C)

(C)

At the request of a customer, the full-time and/or part-time services provided to the Hub may be connected together in the following configurations: full-time to full-time, full-time to part-time or part-time to part-time. The customer will be charged for each such connection made at the rates for Additional Labor as set forth in 13.2 following. The rates that apply for the service between each customer designated premises and the Hub are a Non-Competitive EUCT. In addition, for Program Audio services, rates for optional features and functions may be applicable.

(C)

(C)

ISSUE DATE:
October 17, 2017

Issued Under Transmittal No. 96
Vice President-Regulatory Operations
100 CenturyLink Drive
Monroe, Louisiana 71203

EFFECTIVE DATE:
November 1, 2017

1st Revised Page 7-144
 Cancels Original Page 7-144

ACCESS SERVICE

7. Special Access Service (Cont'd)7.4 Rate Regulations (Cont'd)7.4.8 Shared Use of Digital High Capacity Service

Shared use occurs when special access service and switched access service are provided over the same high capacity DS1 or DS3 facilities through a common interface. The facility will be ordered, provided and rated as special access service (i.e., Non-Competitive End User Channel Termination (EUCT)). The nonrecurring charge that applies when the shared use facility is installed will be the nonrecurring charge associated with the appropriate special access high capacity DS1 or DS3. The customer must place an order for each individual switched access or special access service utilizing the shared use facilities and specify the channel assignment for each such service. Individual service (i.e., switched or special access) nonrecurring charges will not apply to the individual channels of the shared use facility. Rating as special access will continue until such time as the customer chooses to use a portion of the available capacity for providing switched access service. (C)

For special access high capacity DS1 or DS3, the special access Non-Competitive EUCT rates will be reduced by 1/24th for each DS1 channel, 1/672nd for each DS3 channel activated for switched access service. Switched access rates and charges as set forth in Section 6.8 preceding will apply for each channel of shared use facility that is used to provide switched access service (i.e., 1/24th of the switched access entrance facility, direct-trunked transport, and applicable multiplexing rates will apply for each channel of a DS1 service or 1/672nd for each channel of a DS3 service activated for switched access service). (C)

ISSUE DATE:
 October 17, 2017

Issued Under Transmittal No. 96
 Vice President-Regulatory Operations
 100 CenturyLink Drive
 Monroe, Louisiana 71203

EFFECTIVE DATE:
 November 1, 2017

1st Revised Page 7-145
Cancels Original Page 7-145

ACCESS SERVICE

7. Special Access Service (Cont'd)

7.4 Rate Regulations (Cont'd)

7.4.8 Shared Use of Digital High Capacity Service (Cont'd)

(D)

(D)

The applicable switched access entrance facility rate is dependent upon whether the special access high capacity DS1 or DS3 is provided with or without Company terminal equipment at the customer's premises (e.g., when a Special Access Non-Competitive End User Channel Termination (EUCT) provisioned with Company provided terminal equipment at the customer's premises is activated for switched access service, the switched access rate for an entrance facility with Company provided terminal equipment will apply).

(C)

(C)

ISSUE DATE:
October 17, 2017

Issued Under Transmittal No. 96
Vice President-Regulatory Operations
100 CenturyLink Drive
Monroe, Louisiana 71203

EFFECTIVE DATE:
November 1, 2017

ACCESS SERVICE

7. Special Access Service (Cont'd)7.4 Rate Regulations (Cont'd)7.4.8 Shared Use of Digital High Capacity Service (Cont'd)

Where special access high capacity DS1 or DS3 is provided utilizing a channel of the shared facility to the Hub, special access high capacity DS1 or, DS3 rates and charges will apply for the facility to the Hub as set forth preceding and individual service rates and charges will apply from the Hub to the customer designated premises. The rates and charges that will apply to the portion from the Hub to the customer designated premises will be dependent on the specific type of special access that is provided (e.g., Voice Grade, Digital Data, etc.). The rates and charges will include Non-Competitive End User Channel Terminations (EUCTs). Rates and charges for optional features and functions associated with the service, if any, will apply as set forth in 7.5 following.

(C)

(C)

(C)

(C)

7.4.9 Reserved For Future UseISSUE DATE:
October 17, 2017Issued Under Transmittal No. 96
Vice President-Regulatory Operations
100 CenturyLink Drive
Monroe, Louisiana 71203EFFECTIVE DATE:
November 1, 2017

ACCESS SERVICE

7. Special Access Service (Cont'd)

7.4 Rate Regulations (Cont'd)

7.4.10 High Capacity Zone Density Plan

The High Capacity Zone Density Plan rates for Special Access Non-Competitive End User Channel Terminations (EUCTs) subject to Section 203 of the Communications Act are filed in this tariff. Other Special Access rates included in this plan are not subject to Section 203 and are provided outside of this tariff.

(N)
—
(N)

The High Capacity Zone Density Plan is applicable to DS1 and DS3 high capacity services, as set forth in Section 7.2.8 preceding. The Zone Density Plan will become effective concurrent with the first operational Expanded Interconnection arrangement, as described in Section 17.1 following, in the relevant Company study area.

(C)

The channel termination and channel mileage (fixed and per mile) rates applicable for high capacity services subject to the Zone Density Plan are dependent upon the zone in which the Company serving area is located. Channel mileage provided between wire centers in different zones will be assessed the rate for the higher zone. Specific Zone Density Charges are set forth in Sections 7.5.8 following. Term Discount Plans available for services provided under zone density pricing are set forth in Sections 7.5.10 following. Premier Term Discount Plans available for services provided under zone density pricing are set forth in Sections 7.5.14 following. The zones for each Company serving area are identified following:

(C)
(C)
(C)
(C)

ACCESS SERVICE

7. Special Access Service (Cont'd)7.4 Rate Regulations (Cont'd)7.4.10 High Capacity Zone Density Plan (Cont'd)**FLORIDA**

<u>Zone 1</u>		<u>Zone 2</u>		<u>Zone 3</u>	
<u>End Office</u>	<u>CLLI</u>	<u>End Office</u>	<u>CLLI</u>	<u>End Office</u>	<u>CLLI</u>
Altamonte Springs	ALSPFLXA	Apopka	APPKFLXA	All Other	All Other
Avon Park	AVPKFLXA	Cape Coral	CPCRFLXA		
Kissimmee	KSSMFLXA	Cypress Lake	CYLKFLXA		
Maitland	MTLDFLXA	Destin	DESTFLXA		
South Fort Myers	FTMYFLXC	Fort Myers	FTMYFLXA		
Winter Park	WNPKFLXA	Fort Walton Beach	FTWBFLXA		
		Goldenrod	GLRDFLXA		
		Lake Brantley	LKBRFLXA		
		Leesburg	LSBGFLXA		
		Naples Moorings	NPLSFLXD		
		North Naples	NNPLFLXA		
		Ocala	OCALFLXA		
		Port Charlotte	PTCTFLXA		
		Shady Road	OCALFLXB		
		Tallahassee	TLHSFLXA		
		Tallahassee	TLHSFLXB		
		Tallahassee	TLHSFLXC		
		Tallahassee	TLHSFLXD		
		Tallahassee	TLHSFLXF		
		West Kissimmee	KSSMFLXB		
		Winter Garden	WNGRFLXA		

ISSUE DATE:
February 28, 2011

Issued Under Transmittal No. 1
Vice President-Regulatory Operations
100 CenturyLink Drive
Monroe, Louisiana 71203

EFFECTIVE DATE:
March 1, 2011

ACCESS SERVICE

7. Special Access Service (Cont'd)

7.4 Rate Regulations (Cont'd)

7.4.10 High Capacity Zone Density Plan (Cont'd)

This page is reserved for future use.

(C)

(D)

(D)

Material deleted from this page now appears in Brightspeed Local Operating Companies Tariff F.C.C. NO. 9.

(N)

(N)

ISSUE DATE:
September 19, 2022

Issued Under Transmittal No. 125
Vice President-Regulatory Operations
100 CenturyLink Drive
Monroe, Louisiana 71203

EFFECTIVE DATE:
October 4, 2022

ACCESS SERVICE

- 7. Special Access Service (Cont'd)
 - 7.4 Rate Regulations (Cont'd)
 - 7.4.10 High Capacity Zone Density Plan (Cont'd)

(D)

 (D)

MINNESOTA

<u>Zone 1</u>		<u>Zone 2</u>	
<u>End Office</u>	<u>CLLI</u>	<u>End Office</u>	<u>CLLI</u>
None	None	None	None
<u>Zone 3</u>		<u>Zone 4</u>	
<u>End Office</u>	<u>CLLI</u>	<u>End Office</u>	<u>CLLI</u>
Chaska	CHSKMNXC	All Other	All Other
Maple Grove	MPGVMNXA		
Osseo	OSSEMNXO		

Material deleted from this page now appears in Brightspeed Local Operating Companies Tariff F.C.C. NO. 9.

(N)
 (N)

ISSUE DATE:
 September 19, 2022

Issued Under Transmittal No. 125
 Vice President-Regulatory Operations
 100 CenturyLink Drive
 Monroe, Louisiana 71203

EFFECTIVE DATE:
 October 4, 2022

ACCESS SERVICE

7. Special Access Service (Cont'd)

7.4 Rate Regulations (Cont'd)

7.4.10 Special Access Zone Density Plan (Cont'd)

This page is reserved for future use.

(N)

(D)

(D)

Material deleted from this page now appears in Brightspeed Local Operating Companies Tariff F.C.C. NO. 9.

(N)

(N)

ISSUE DATE:
September 19, 2022

Issued Under Transmittal No. 125
Vice President-Regulatory Operations
100 CenturyLink Drive
Monroe, Louisiana 71203

EFFECTIVE DATE:
October 4, 2022

ACCESS SERVICE

7. Special Access Service (Cont'd)7.4 Rate Regulations (Cont'd)7.4.10 High Capacity Zone Density Plan (Cont'd)**NEBRASKA**

<u>Zone 1</u>		<u>Zone 2</u>	
<u>End Office</u>	<u>CLLI</u>	<u>End Office</u>	<u>CLLI</u>
None	None	None	None
<u>Zone 3</u>		<u>Zone 4</u>	
<u>End Office</u>	<u>CLLI</u>	<u>End Office</u>	<u>CLLI</u>
Scottsbluff	SCTSNEXU	All Other	All Other

NEVADA

<u>Zone 1</u>		<u>Zone 2</u>		<u>Zone 3</u>	
<u>End Office</u>	<u>CLLI</u>	<u>End Office</u>	<u>CLLI</u>	<u>End Office</u>	<u>CLLI</u>
Las Vegas Main	LSVGNVXB	Las Vegas West 8	LSVGNVXH	All Other	All Other
Las Vegas South 5	LSVGNVXG	Las Vegas East 2	LSVGNVXI		
Las Vegas South 6	LSVGNVXL	Las Vegas East 1	LSVGNVXR		
Las Vegas West 6	LSVGNVXK	Las Vegas North 5	LSVGNVXU		
Las Vegas East 7	LSVGNVXM	N. Las Vegas North 2	NLVGNVXF		
Las Vegas South South	LSVGNVXV				
Las Vegas West West	LSVGNVXW				

ISSUE DATE:
February 28, 2011

Issued Under Transmittal No. 1
Vice President-Regulatory Operations
100 CenturyLink Drive
Monroe, Louisiana 71203

EFFECTIVE DATE:
March 1, 2011

ACCESS SERVICE

7. Special Access Service (Cont'd)

7.4 Rate Regulations (Cont'd)

7.4.10 High Capacity Zone Density Plan (Cont'd)

This page is reserved for future use.

NEW JERSEY

(N)

(D)

(D)

ISSUE DATE:
September 19, 2022

Issued Under Transmittal No. 125
Vice President-Regulatory Operations
100 CenturyLink Drive
Monroe, Louisiana 71203

EFFECTIVE DATE:
October 4, 2022

ACCESS SERVICE

7. Special Access Service (Cont'd)

7.4 Rate Regulations (Cont'd)

7.4.10 High Capacity Zone Density Plan (Cont'd)

This page is reserved for future use.

(C)
(D)

(D)

Material deleted from this page now appears in Brightspeed Local Operating Companies Tariff F.C.C. NO. 9.

(N)
(N)

ISSUE DATE:
September 19, 2022

Issued Under Transmittal No. 125
Vice President-Regulatory Operations
100 CenturyLink Drive
Monroe, Louisiana 71203

EFFECTIVE DATE:
October 4, 2022

ACCESS SERVICE

7. Special Access Service (Cont'd)

7.4 Rate Regulations (Cont'd)

7.4.10 High Capacity Zone Density Plan (Cont'd)

OHIO

(D)

OREGON

<u>Zone 1</u>		<u>Zone 2</u>	
<u>End Office</u>	<u>CLLI</u>	<u>End Office</u>	<u>CLLI</u>
Hood River	HDRVORXA	All Other	All Other
Lincoln City	LNCYORXX		
Sheridan	SHRDORXA		
The Dalles	THDLORXA		
Tillamook	TLMKORXA		
White City	WHCYORXX		

(D)

Material deleted from this page now appears in Brightspeed Local Operating Companies Tariff F.C.C. NO. 9.

(N)
(N)

ISSUE DATE:
September 19, 2022

Issued Under Transmittal No. 125
Vice President-Regulatory Operations
100 CenturyLink Drive
Monroe, Louisiana 71203

EFFECTIVE DATE:
October 4, 2022

ACCESS SERVICE

7. Special Access Service (Cont'd)

7.4 Rate Regulations (Cont'd)

7.4.10 High Capacity Zone Density Plan (Cont'd)

Reserved for Future Use

(N)

(D)

(D)

**Material deleted from this page now appears in Brightspeed Local Operating Companies Tariff
F.C.C. NO. 9.**

(N)

(N)

ISSUE DATE:
September 19, 2022

Issued Under Transmittal No. 125
Vice President-Regulatory Operations
100 CenturyLink Drive
Monroe, Louisiana 71203

EFFECTIVE DATE:
October 4, 2022

ACCESS SERVICE

7. Special Access Service (Cont'd)

7.4 Rate Regulations (Cont'd)

7.4.10 High Capacity Zone Density Plan (Cont'd)

This page is reserved for future use.

(N)

(D)

(D)

(N)

(N)

Material deleted from this page now appears in Brightspeed Local Operating Companies Tariff F.C.C. NO. 9.

ISSUE DATE:
September 19, 2022

Issued Under Transmittal No. 125
Vice President-Regulatory Operations
100 CenturyLink Drive
Monroe, Louisiana 71203

EFFECTIVE DATE:
October 4, 2022

ACCESS SERVICE

- 7. Special Access Service (Cont'd)
 - 7.4 Rate Regulations (Cont'd)
 - 7.4.10 High Capacity Zone Density Plan (Cont'd)

(D)

 (D)

WASHINGTON

<u>Zone 1</u>		<u>Zone 2</u>	
<u>End Office</u>	<u>CLLI</u>	<u>End Office</u>	<u>CLLI</u>
Poulsbo	PLSBWAXX	All Other	All Other
Sunnyside	SNSDWAXX		

WYOMING

<u>Zone 1</u>		<u>Zone 2</u>	
<u>End Office</u>	<u>CLLI</u>	<u>End Office</u>	<u>CLLI</u>
None	None	None	None

<u>Zone 3</u>		<u>Zone 4</u>	
<u>End Office</u>	<u>CLLI</u>	<u>End Office</u>	<u>CLLI</u>
None	None	All Other	All Other

Material deleted from this page now appears in Brightspeed Local Operating Companies Tariff F.C.C. NO. 9.

(N)
 (N)

ISSUE DATE:
 September 19, 2022

Issued Under Transmittal No. 125
 Vice President-Regulatory Operations
 100 CenturyLink Drive
 Monroe, Louisiana 71203

EFFECTIVE DATE:
 October 4, 2022

ACCESS SERVICE

7. Special Access Service (Cont'd)

7.4 Rate Regulations (Cont'd)

7.4.11 Special Access Term Discount Plan - GRANDFATHERED

(C)

The Special Access Term Discount Plan (TDP) rates for Special Access Non-Competitive End User Channel Terminations (EUCTs) subject to Section 203 of the Communications Act are filed in this tariff. Other Special Access rates included in this plan are not subject to Section 203 and are provided outside of this tariff.

(A) General

The Special Access Term Discount Plan (TDP) applies to Special Access Digital Data Service (56.0 and 64.0 kbps), High Capacity DS1 (1.544 Mbps) and DS3 (44.736 Mbps) services, DS3 to DS1 and DS1 to DS0 Multiplexing, and Shared SONET Ring Service. The TDP provides the customer with discounted rates for the services listed. The customer agrees to a minimum service commitment per service on a state or national basis when the TDP is established.

In order for a circuit to be eligible for TDP pricing, the customer must commit a channel termination and/or multiplexer, or if not provided by the Company, the portion of the circuit (i.e., interoffice mileage) that is provided by the Company to a TDP. The commitment level for a circuit will be based on this information. For purpose of determining the term discount plan commitment level for Shared SONET Ring Service (SSRS), a Ring Connection equates to a Special Access Channel Termination. Customers may disconnect or move channel terminations and/or multiplexers within the committed area (i.e., state or nation) and not be subject to termination liability charges as long as the commitment levels are maintained.

(B) Commitment Level

All eligible special access rate elements for a given circuit (channel termination, channel mileage termination (fixed), channel mileage facility (per mile), multiplexing or ring connection and ring transport) must be ordered for the same commitment period with the same service date for the same customer. A customer establishes a TDP by committing all or a portion of their in-service circuits to a minimum term of 3 years up to maximum term of 5 years. During the term of the selected TDP, the customer must maintain an in-service commitment threshold of not less than 90% nor more than 130% of the committed circuits.

Effective October 1, 2020 the Special Access Term Discount Plan will be grandfathered until the expiration date of the current term. Term renewals will not be offered on these plans going forward as of this effective date. Upon expiration of the current term, rates will revert to month-to-month.

(N)
|
(N)

ISSUE DATE:
September 16, 2020

Issued Under Transmittal No. 113
Vice President-Public Policy & Compliance
100 CenturyLink Drive
Monroe, Louisiana 71203

EFFECTIVE DATE:
October 1, 2020

ACCESS SERVICE

7. Special Access Service (Cont'd)7.4 Rate Regulations (Cont'd)7.4.11 Special Access Term Discount Plan – GRANDFATHERED (Cont'd) (C)(B) Commitment Level (Cont'd)

As long as a customer's actual in-service level of circuits remains within the commitment threshold, the customer will be billed the TDP rate for all eligible rate elements. Additionally, if a customer's in-service level exceeds the initial in-service level by no more than 30%, the customer will be billed the TDP rates for all eligible rate elements. For example, the customer has 200 DS1 circuits and elects to commit 150 circuits to a 3 year TDP. The customer will be billed TDP rates as long as the in-service level of circuits is equal to or greater than 135 (90% minimum threshold) but not more than 195 (130% maximum threshold).

If the customer's in-service request exceeds the initial service level by more than 30%, the customer will be billed the month-to-month rate for all facilities above the upper limit of the commitment threshold. If the customer's in-service level falls below the minimum commitment threshold, the customer will be billed termination liability charges for the number of circuits below the minimum commitment threshold, and the customer's commitment level will be decreased to 110 percent of the customer's current in-service level. For example, a customer whose minimum commitment threshold is 135 circuits (90% of 150), but only has 125 in-service, will be billed termination liability charges for 10 circuits, and the customer's commitment level will be decreased to 138 (110% of 125).

ISSUE DATE:
September 16, 2020

Issued Under Transmittal No. 113
Vice President-Public Policy & Compliance
100 CenturyLink Drive
Monroe, Louisiana 71203

EFFECTIVE DATE:
October 1, 2020

ACCESS SERVICE

7. Special Access Service (Cont'd)7.4 Rate Regulations (Cont'd)7.4.11 Special Access Term Discount Plan – GRANDFATHERED (Cont'd) (C)(B) Commitment Level (Cont'd)

Although the commitment level is based upon circuits, the following rate elements will receive TDP rates:

Channel Mileage Facility (per mile)
Channel Mileage Termination (fixed)
Multiplexing
Channel Termination
Ring Connection
Ring Transport

(C) Ordering Provisions

The customer must order a TDP in writing to the Telephone Company. A TDP may be ordered based on the following plan options.

3 Years
5 Years

The customer must specify the plan and the length of the service commitment period and commitment level. The customer agrees to a minimum service commitment level per service per committed area (i.e., state or nation) in effect at one time. For example, a customer that has a state specific or nationwide 3 year plan in effect for DS1 service may not establish a second 3 year DS1 TDP for that area until the current TDP expires. Once the plan is established, and commitment levels are agreed upon, standard access ordering procedures will be followed.

When a customer converts to a TDP, no access order charges are applied toward facilities in-service at that time. If a customer moves from a month to month plan to a TDP, or upgrades from one TDP to another, no access order charges are applied.

ISSUE DATE:
September 16, 2020

Issued Under Transmittal No. 113
Vice President-Public Policy & Compliance
100 CenturyLink Drive
Monroe, Louisiana 71203

EFFECTIVE DATE:
October 1, 2020

ACCESS SERVICE

7. Special Access Service (Cont'd)

7.4 Rate Regulations (Cont'd)

7.4.11 Special Access Term Discount Plan – GRANDFATHERED (Cont'd) (C)(D) Service Rearrangements

When a circuit committed to a TDP is rearranged as set forth in 7.4.1©(3) preceding, the nonrecurring rearrangement charge associated with the month-to-month rates for that service will apply. Changes in the type of service or service termination are treated as disconnects and starts, and the nonrecurring installation charge associated with the month-to-month rates for that service will apply. Changes in the physical location of the point of termination are treated as moves, as described in 7.4.5 preceding, and will be assessed the nonrecurring charge associated with the month-to-month rates for that service.

(E) 90 Day Review Period

No adjustments in monthly billing for a TDP, for being above or below the commitment threshold described in (B) preceding, will take place until 90 days after Telephone Company written notification to the customer that the commitment threshold has been exceeded or has not been met. This will ensure that customers will not be penalized for aberrations in channel termination and/or multiplexer counts caused by timing differentials in disconnection and installation.

Customer's bills will not be adjusted for being outside the threshold described in 7.4.11(B) preceding during the 90 day review period. Additionally, customers will continue to be billed the adjustments (following the 90 day review period) for being outside the described threshold until the commitment level is met or re-established. A new 90 day review period will be initiated if the customer's actual in-service level subsequently falls outside the described threshold.

ISSUE DATE:
September 16, 2020

Issued Under Transmittal No. 113
Vice President-Public Policy & Compliance
100 CenturyLink Drive
Monroe, Louisiana 71203

EFFECTIVE DATE:
October 1, 2020

ACCESS SERVICE

7. Special Access Service (Cont'd)7.4 Rate Regulations (Cont'd)7.4.11 Special Access Term Discount Plan – GRANDFATHERED (Cont'd) (C)(F) Increasing the TDP Commitment Level

Customers may increase their commitment level at any time by notifying the Telephone Company in writing. An increase in the commitment level will not change the expiration date of the TDP.

When a commitment level is increased, the actual in-service channel termination and/or multiplexer level at the time of the increase will be used to calculate the new commitment threshold as described in Section 7.4.11(B) preceding.

Upon written notification to the Telephone Company, customers may elect to have all future channel terminations and/or multiplexers installed during a commitment period automatically placed on the designated TDP.

Customers may request, upon written notification to the Telephone Company, that the Telephone Company automatically increase the customer's TDP commitment level when the 130% commitment threshold, as set forth in 7.4.11(B) preceding, is exceeded. The adjusted commitment level will be the actual channel terminations and/or multiplexers in service under the TDP at the time the 130% threshold is exceeded. The expiration date of the customer's TDP will not be affected by this change.

The customer may rescind its request to automatically add future channel terminations and/or multiplexers, or to automatically increase its commitment level when the 130% threshold is exceeded, by notifying the Telephone Company in writing.

ISSUE DATE:
September 16, 2020

Issued Under Transmittal No. 113
Vice President-Public Policy & Compliance
100 CenturyLink Drive
Monroe, Louisiana 71203

EFFECTIVE DATE:
October 1, 2020

ACCESS SERVICE

7. Special Access Service (Cont'd)7.4 Rate Regulations (Cont'd)7.4.11 Special Access Term Discount Plan – GRANDFATHERED (Cont'd) (C)(G) Decreasing the TDP Commitment Level and Termination Liabilities

Customers may only decrease their commitment level by paying termination liability charges on the number of channel terminations and/or multiplexers by which the commitment level is decreased. Termination liabilities will apply to applicable services covered by the TDP. For example, a customer has a commitment level of 150 channel terminations and/or multiplexers. The customer then decreases its commitment level to 125. The customer must pay a termination liability on the most recently disconnected 25 facilities, inclusive of all associated rate elements as listed above.

If a customer disconnects any portion of their TDP service prior to the expiration of the commitment period, the customer will be billed 50% of the monthly TDP charges for the remaining portion of the committed term. For example, a customer disconnecting in the 12th month of a 3 year plan will be charged 50% of the remaining 24 months of billing.

ISSUE DATE:
September 16, 2020

Issued Under Transmittal No. 113
Vice President-Public Policy & Compliance
100 CenturyLink Drive
Monroe, Louisiana 71203

EFFECTIVE DATE:
October 1, 2020

ACCESS SERVICE

7. Special Access Service (Cont'd)7.4 Rate Regulations (Cont'd)7.4.11 Special Access Term Discount Plan – GRANDFATHERED (Cont'd) (C)(H) Rate Changes

In this section, the term “rate” refers to the charges associated with the entire circuit covered by a TDP. Rate increases or decreases will automatically be applied to the monthly term plan rates for the remaining term of the TDP. If a Telephone Company initiated rate increase causes a customer’s rates to increase by 10% or more at any one time, the customer may cancel the TDP without incurring termination liability charges.

(I) Extension of a TDP Commitment Period

A customer has two options for extending their TDP commitment period as described following:

- (1) A 3 year TDP commitment period can be extended by the customer at any time during the term of the plan, up to a maximum of 5 years. The number of months accrued in the current 3 year plan will apply toward the new 5 year plan selected. For example, a customer having completed 15 months of a 3 year commitment can extend the commitment to 5 years and no additional charges will be assessed. The first payment will be considered the 16th payment under the new 5 year plan; or

ISSUE DATE:
September 16, 2020

Issued Under Transmittal No. 113
Vice President-Public Policy & Compliance
100 CenturyLink Drive
Monroe, Louisiana 71203

EFFECTIVE DATE:
October 1, 2020

ACCESS SERVICE

7. Special Access Service (Cont'd)

7.4 Rate Regulations (Cont'd)

7.4.11 Special Access Term Discount Plan – GRANDFATHERED (Cont'd) (C)

(1) Extension of a TDP Commitment Period (Cont'd)

- (2) Upon completion of a 3 or 5 year TDP commitment period, the customer may extend their plan for an additional 12 months at the rates, terms and conditions currently in effect for the 3 or 5 year term commitment. Customers who wish to take advantage of the 12 month extension must notify the Telephone Company in writing within 60 days prior to the expiration of their original 3 or 5 year TDP.

ISSUE DATE:
September 16, 2020

Issued Under Transmittal No. 113
Vice President-Public Policy & Compliance
100 CenturyLink Drive
Monroe, Louisiana 71203

EFFECTIVE DATE:
October 1, 2020

ACCESS SERVICE

7. Special Access Service (Cont'd)7.4 Rate Regulations (Cont'd)7.4.11 Special Access Term Discount Plan – GRANDFATHERED (Cont'd) (C)(J) Upgrading a TDP Service

When a customer upgrades a digital data service being billed TDP rates to a DS1 service, the digital data TDP commitment level will be reduced at the customer's request (up to a maximum of 24) and no termination liability charge will apply. If the same customer has a TDP for DS1 service, the DS1 TDP commitment level will be increased if the customer requests that it be increased. When a customer upgrades a DS1 service being billed TDP rates to a DS3 service with the same termination points, the customer's DS1 TDP commitment level will be reduced at the customer's request (up to a maximum of 28) and no termination liability charge will apply.

When a customer upgrades a DS1 or DS3 service being billed TDP rates to a Gateway SONET Ring, or other SONET level services offered by the Telephone Company, the customer's DS1 or DS3 TDP commitment level will be reduced at the customer's request by an amount equal to the number of DS1 or DS3 special access circuits that are migrated to the Gateway SONET Ring, or other SONET level service offered by the Telephone Company. Termination liability charges will not apply to upgrades if the Gateway SONET Ring, or other SONET level service commitment period is greater than or equal to the existing TDP commitment period.

ISSUE DATE:
September 16, 2020

Issued Under Transmittal No. 113
Vice President-Public Policy & Compliance
100 CenturyLink Drive
Monroe, Louisiana 71203

EFFECTIVE DATE:
October 1, 2020

ACCESS SERVICE

7. Special Access Service (Cont'd)7.4 Rate Regulations (Cont'd)7.4.11 Special Access Term Discount Plan – GRANDFATHERED (Cont'd) (C)(J) Upgrading a TDP Service (Cont'd)

When a customer upgrades a DS1 or DS3 service being billed TDP rates to an Ethernet Transport (ET)⁽¹⁾ or Ethernet Virtual Private Line (EVPL) service offered by the Telephone Company, the customer's DS1 or DS3 TDP commitment level will be reduced at the customer's request as set forth following:

- for every 10 Mbps of ET or EVPL, the customer's DS1 commitment level will be reduced by 5 DS1s (e.g., 5 DS1s can upgrade to 10 Mbps ET or EVPL, 10 DS1s can upgrade to 20 Mbps ET or EVPL, etc.)
- for every 100 Mbps of ET or EVPL, the customer's DS3 commitment level will be reduced by 1 DS3 (e.g., 1 DS3 can upgrade to 100 Mbps ET or EVPL, 5 DS3s can upgrade to 500 Mbps ET or EVPL, etc.)

The customer must commit to a new ET three (3) or five (5) year minimum commitment period or EVPL Term Discount Plan for periods of one (1), two (2), three (3) or five (5) years or an EVPL Fixed Rate Term Plan for a period of seven (7) years. Termination liability charges will not apply to upgrades if the ET or EVPL commitment period is greater than or equal to the existing TDP commitment period.

When a disconnect order for a DS1 or DS3 circuit is submitted to the Telephone Company, the customer must note on the disconnect order that the DS1 or DS3 circuit to be disconnected is being or has been upgraded to ET or EVPL service.

(D)
(D)
(D)

Material in this Section has been de-tariffed as required by the Commission upon use of the forbearance relief pursuant to FCC Memorandum Opinion and Order No. FCC 07-184, released October 24, 2007. Terms and Conditions associated with de-tariffed services are available at <http://about.centurylink.com/legal/forbearance.html>.

ISSUE DATE:
September 16, 2020Issued Under Transmittal No. 113
Vice President-Public Policy & Compliance
100 CenturyLink Drive
Monroe, Louisiana 71203EFFECTIVE DATE:
October 1, 2020

ACCESS SERVICE

7. Special Access Service (Cont'd)7.4 Rate Regulations (Cont'd)7.4.11 Special Access Term Discount Plan – GRANDFATHERED (Cont'd) (C)(K) Renewal of a TDP

At the end of the TDP service commitment period, the customer may subscribe to a new TDP at the prevailing rates set forth in Section 7.5.10 following. If the customer does not select a new TDP, the rates will convert to the prevailing month-to-month digital data, DS1, DS3 or Shared SONET Ring rates set forth in Sections 7.5.7, 7.5.8 and 7.5.11 following. The customer will have up to 12 months (365 days) grace period to renew their TDP before month-to-month rates will be assessed.

(L) Cancellation Charges

When a customer cancels an order for special access services being provided under a TDP, cancellation charges, as set forth in 5.2.4 preceding, will be calculated using the nonrecurring charges associated with the month-to-month rates for the service being cancelled.

ISSUE DATE:
September 16, 2020

Issued Under Transmittal No. 113
Vice President-Public Policy & Compliance
100 CenturyLink Drive
Monroe, Louisiana 71203

EFFECTIVE DATE:
October 1, 2020

ACCESS SERVICE

7. Special Access Service (Cont'd)

7.4 Rate Regulations (Cont'd)

7.4.12 Reserved for Future Use

(C)

(D)

(D)

ISSUE DATE:
October 17, 2017

Issued Under Transmittal No. 96
Vice President-Regulatory Operations
100 CenturyLink Drive
Monroe, Louisiana 71203

EFFECTIVE DATE:
November 1, 2017

ACCESS SERVICE

7. Special Access Service (Cont'd)

7.4 Rate Regulations (Cont'd)

7.4.12 Reserved for Future Use

(C)

(D)

(D)

ISSUE DATE:
October 17, 2017

Issued Under Transmittal No. 96
Vice President-Regulatory Operations
100 CenturyLink Drive
Monroe, Louisiana 71203

EFFECTIVE DATE:
November 1, 2017

ACCESS SERVICE

7. Special Access Service (Cont'd)

7.4 Rate Regulations (Cont'd)

7.4.13 Reserved for Future Use

(C)

(D)

(D)

ISSUE DATE:
October 17, 2017

Issued Under Transmittal No. 96
Vice President-Regulatory Operations
100 CenturyLink Drive
Monroe, Louisiana 71203

EFFECTIVE DATE:
November 1, 2017

ACCESS SERVICE

7. Special Access Service (Cont'd)

7.4 Rate Regulations (Cont'd)

7.4.14 Reserved for Future Use

(C)

(D)

(D)

ISSUE DATE:
October 17, 2017

Issued Under Transmittal No. 96
Vice President-Regulatory Operations
100 CenturyLink Drive
Monroe, Louisiana 71203

EFFECTIVE DATE:
November 1, 2017

ACCESS SERVICE

7. Special Access Service (Cont'd)

7.4 Rate Regulations (Cont'd)

7.4.14 Reserved for Future Use (Cont'd)

(C)

(D)

(D)

ISSUE DATE:
October 17, 2017

Issued Under Transmittal No. 96
Vice President-Regulatory Operations
100 CenturyLink Drive
Monroe, Louisiana 71203

EFFECTIVE DATE:
November 1, 2017

ACCESS SERVICE

7. Special Access Service (Cont'd)

7.4 Rate Regulations Cont'd)

7.4.15 Reserved For Future Use

ISSUE DATE:
February 28, 2011

Issued Under Transmittal No. 1
Vice President-Regulatory Operations
100 CenturyLink Drive
Monroe, Louisiana 71203

EFFECTIVE DATE:
March 1, 2011

ACCESS SERVICE

7. Special Access Service (Cont'd)

7.4 Rate Regulations (Cont'd)

7.4.16 Premier Term Discount Plan – GRANDFATHERED

(C)

The Premier Term Discount Plan rates for Special Access Non-Competitive End User Channel Terminations (EUCTs) subject to Section 203 of the Communications Act are filed in this tariff. Other Special Access rates included in this plan are not subject to Section 203 and are provided outside of this tariff.

(A) General

The Premier Term Discount Plan (PTDP) applies to Special Access Voice Grade Service, monthly Program Audio Service, Digital Data Service, High Capacity Fractional DS1 Service, and High Capacity DS1 (1.544 Mbps) and DS3 (44.736 Mbps) Service. The PTDP provides the customer with discounted rates for the services listed. The customer agrees to commit 100% of their existing and future special access services ordered from the Telephone Company on a national basis for a five year commitment period when the PTDP is established.

The following rate elements will be eligible for PTDP rates:

- Channel Termination
- Channel Mileage Termination (fixed)
- Channel Mileage Facility (per mile)
- Multiplexing

The commitment level will be based on special access circuit quantities determined by the Company's billing records and mutually agreed upon by the Company and the customer. The commitment level will be based on DS1 equivalent circuits, by state, and updated annually. If the customer's circuit quantity falls below 95% of the state specific commitment level in a consecutive 60 day period, a shortfall penalty as set forth in (C) following is applicable.

Effective October 1, 2020 the Premier Term Discount Plan will be grandfathered until the expiration date of the current term. Term renewals will not be offered on these plans going forward as of this effective date. Upon expiration of the current term, rates will revert to month-to-month.

(N)
|
(N)

ISSUE DATE:
September 16, 2020

Issued Under Transmittal No. 113
Vice President-Public Policy & Compliance
100 CenturyLink Drive
Monroe, Louisiana 71203

EFFECTIVE DATE:
October 1, 2020

ACCESS SERVICE

7. Special Access Service (Cont'd)7.4 Rate Regulations (Cont'd)7.4.16 Premier Term Discount Plan – GRANDFATHERED

(C)

(A) General (Cont'd)

Customers who currently subscribe to the Telephone Company Term Discount Plan (TDP), set forth in section 7.4.11 preceding, may convert to a PTDP without termination liability penalty under their existing TDP. Customers may disconnect or move special access circuits and not be subject to termination liability charges as long as the commitment levels are maintained.

(B) Commitment Level

All eligible special access rate elements for a given circuit (channel termination, channel mileage termination (fixed), channel mileage facility (per mile) and multiplexing) must be ordered for the same commitment period with the same service date for the same customer. A customer establishes a PTDP by committing all of their in service circuits eligible for the discount to a five year term. All future special access circuits ordered from the Telephone Company will be included in the plan. Circuits added to the PTDP after the plan is established will carry the plan effective date.

ISSUE DATE:
September 16, 2020

Issued Under Transmittal No. 113
Vice President-Public Policy & Compliance
100 CenturyLink Drive
Monroe, Louisiana 71203

EFFECTIVE DATE:
October 1, 2020

ACCESS SERVICE

7. Special Access Service (Cont'd)7.4 Rate Regulations (Cont'd)7.4.16 Premier Term Discount Plan – GRANDFATHERED (Cont'd)

(C)

(B) Commitment Level (Cont'd)

The customer makes a commitment in terms of DS1 equivalent circuits based on the quantity of special access circuits in service, by state, when the plan is ordered. For purposes of the plan, DS1 equivalents will be calculated based on the following conversion table:

<u>Service</u>	<u>DS1 Equivalent Ratio</u>
High Capacity DS1	1:1
Voice Grade	24:1
Digital Data	24:1
High Capacity DS3	1:28
Fractional DS1 128.0 kbps	12:1
Fractional DS1 256.0 kbps	6:1
Fractional DS1 384.0 kbps	4:1
Monthly Program Audio	24:1

The commitment level is adjusted annually on the anniversary date of the PTDP. The adjusted commitment level must be equal to or greater than the initial PTDP commitment level.

When a customer has no Telephone Company provided special access circuits in service in a given state when the customer's PTDP is initially ordered, the DS1 equivalent commitment level for that state will be equal to the DS1 equivalents in service on the customer's next PTDP annual adjustment date. The shortfall penalty set forth in (C) following will not apply in that state until after the DS1 equivalent commitment level has been established.

ISSUE DATE:
September 16, 2020

Issued Under Transmittal No. 113
Vice President-Public Policy & Compliance
100 CenturyLink Drive
Monroe, Louisiana 71203

EFFECTIVE DATE:
October 1, 2020

ACCESS SERVICE

7. Special Access Service (Cont'd)7.4 Rate Regulations (Cont'd)7.4.16 Premier Term Discount Plan – GRANDFATHERED (Cont'd)

(C)

(B) Commitment Level (Cont'd)

For example, a customer initiates a PTDP on March 15, 2000, but has no special access circuits in service in the state of Florida at that time. The customer subsequently orders 10 DS1 equivalent circuits in Florida during April 2000, and 15 additional DS1 equivalent circuits in Florida during June 2000. The customer's commitment level for the state of Florida will be established on March 15, 2001, the anniversary date of the PTDP, and will equal the number of DS1 equivalents in service in Florida on that date, or 25 DS1 equivalents.

During the PTDP five year term, the customer must maintain a minimum threshold of 95% of the current DS1 equivalent circuit commitment, by state. As long as the customer's actual in service level of circuits remains at or above 95% of the current commitment level, the customer will be billed the PTDP rates for all eligible rate elements. A shortfall charge, as set forth in 7.5.14(D) following, will be assessed if the customer's in service level falls below the required minimum commitment threshold.

The customer will not be penalized for circuits converting to OptiPoint⁽¹⁾, Gateway SONET Ring Service or SONET OC Ring⁽¹⁾. The DS1 equivalent commitment levels will be adjusted without penalty when a customer converts to OptiPoint⁽¹⁾, Gateway SONET Ring Service or SONET OC Ring⁽¹⁾.

⁽¹⁾ Material in this Section has been de-tariffed as required by the Commission upon use of the forbearance relief pursuant to FCC Memorandum Opinion and Order No. FCC 07-184, released October 24, 2007. Terms and Conditions associated with de-tariffed services are available at <http://about.centurylink.com/legal/forbearance.html>.

ACCESS SERVICE

7. Special Access Service (Cont'd)

7.4 Rate Regulations (Cont'd)

7.4.16 Premier Term Discount Plan – GRANDFATHERED (Cont'd)

(C)

(B) Commitment Level (Cont'd)

The customer will not be penalized for circuits converting to Ethernet Transport (ET)⁽¹⁾ or Ethernet Virtual Private Line (EVPL)⁽²⁾ service provided by the Telephone Company. The DS1 equivalent commitment levels will be adjusted without penalty when a customer converts to ET or EVPL set forth following:

- for every 10 Mbps of ET or EVPL , the customer's DS1 equivalent commitment level will be reduced by 5 DS1 equivalent circuits.

Termination liability charges will not apply to upgrades if the ET or EVPL commitment period is greater than or equal to the existing PTDP commitment period.

When a disconnect order for a DS1 or DS3 circuit is submitted to the Telephone Company, the customer must note on the disconnect order that the DS1 or DS3 circuit to be disconnected is being or has been upgraded to ET or EVPL service.

Services provided to the customer on an Individual Case Basis will not be included in the PTDP commitment quantity. Shared use facilities will not receive the discount for the switched access portion of the circuit. Adjustments will be made to the commitment level for circuits that convert to OptiPoint⁽¹⁾, Gateway SONET Ring Service, SONET OC Ring⁽¹⁾, ET or EVPL after the PTDP is established.

(D)
(D)
(D)

⁽¹⁾ Material in this Section has been de-tariffed as required by the Commission upon use of the forbearance relief pursuant to FCC Memorandum Opinion and Order No. FCC 07-184, released October 24, 2007. Terms and Conditions associated with de-tariffed services are available at <http://www.centurylink.com/Pages/AboutUs/Legal/Tariffs/displayTariffLandingPage.html>

⁽²⁾ The CenturyLink services previously identified on this page are no longer offered under tariff. Effective March 13, 2015, the Commission granted forbearance from dominant carrier regulation of these services. http://transition.fcc.gov/Daily_Releases/Daily_Business/2015/db0316/DOC-332526A1.pdf The rates, terms and conditions associated with these services are now available at <http://www.centurylink.com/Pages/AboutUs/Legal/Tariffs/displayTariffLandingPage.html>

ISSUE DATE:
September 16, 2020

Issued Under Transmittal No. 113
Vice President-Public Policy & Compliance
100 CenturyLink Drive
Monroe, Louisiana 71203

EFFECTIVE DATE:
October 1, 2020

ACCESS SERVICE

7. Special Access Service (Cont'd)

7.4 Rate Regulations (Cont'd)

7.4.16 Premier Term Discount Plan – GRANDFATHERED (Cont'd)

(C) Shortfall Penalty

A customer's DS1 equivalent circuit quantities will be monitored monthly. A shortfall penalty will be applicable if the circuit quantities fall below 95% of the state specific commitment level for two consecutive months. When a shortfall exists for this period, the customer will be assessed a shortfall charge for each equivalent DS1 the customer is short of the commitment. The shortfall penalty will be applied monthly until the commitment level is achieved.

The following states are excluded from the shortfall penalty:

- Nebraska
- Wyoming

(D)

The shortfall penalty will be calculated for each state by subtracting the actual DS1 circuit quantity from the DS1 equivalent commitment level. The shortfall penalty will be equal to the DS1 equivalent shortfall quantity multiplied by the shortfall charge, as set forth in 7.5.14(D) following.

For example, a customer has committed 1,000 DS1 equivalent circuits to a PTDP. The customer has fallen below 95% of their commitment for two consecutive months, and now has 940 DS1 equivalents. The shortfall of 60 DS1 equivalents, multiplied by the shortfall charge of \$327, equals the monthly shortfall penalty of \$19,620. The customer will continue to be billed PTDP rates for their remaining special access circuits on the PTDP.

Material deleted from this page now appears in Brightspeed Local Operating Companies Tariff F.C.C. NO. 9.

(N)
(N)

ISSUE DATE:
September 19, 2022

Issued Under Transmittal No. 125
Vice President-Regulatory Operations
100 CenturyLink Drive
Monroe, Louisiana 71203

EFFECTIVE DATE:
October 4, 2022

ACCESS SERVICE

7. Special Access Service (Cont'd)

7.4 Rate Regulations (Cont'd)

7.4.16 Premier Term Discount Plan – GRANDFATHERED (Cont'd)

(C)

© Shortfall Penalty (Cont'd)

The shortfall penalty will be assessed on the 60th day in which a shortfall exists, and will be applied to the customer's bill in the first available bill cycle following the shortfall period. The customer's account will be monitored monthly for continued shortfall status.

(D) Ordering Provisions

The customer must order a PTDP in writing to the Telephone Company. The completed PTDP order form should include the following information:

- PTDP effective date.
- All customer Access Carrier Name Abbreviations (ACNAs) participating in the plan.
- Initial DS1 equivalent commitment levels, by state.

Once the PTDP is established, standard access ordering procedures will be followed. When a customer converts existing special access services to a PTDP, no access order charges are applicable for facilities in-service at that time.

ISSUE DATE:
September 16, 2020

Issued Under Transmittal No. 113
Vice President-Public Policy & Compliance
100 CenturyLink Drive
Monroe, Louisiana 71203

EFFECTIVE DATE:
October 1, 2020

ACCESS SERVICE

7. Special Access Service (Cont'd)

7.4 Rate Regulations (Cont'd)

7.4.16 Premier Term Discount Plan – GRANDFATHERED (Cont'd)

(C)

(E) Termination Liability Penalty

(T)

A termination liability penalty will be assessed if the customer cancels the PTDP prior to the expiration date of the PTDP five year commitment.

A termination liability penalty will be calculated by multiplying the customer's DS1 equivalent commitment level times the remaining months in the PTDP, times the termination liability charge set forth in 7.5.14(E) following.

For example, a customer has 1,000 DS1 equivalent circuits committed to a PTDP and terminates service in month 48. The customer will be charged the remaining 12 months times the 1000 DS1 equivalent circuits committed, times the termination liability charge of \$164, for a termination liability penalty of \$1,968,000.

(F) Rate Changes

In this section, the term "rate" refers to the charges associated with the entire circuit covered by the PTDP. Rate increases or decreases will automatically be applied to the monthly term plan rates for the remaining term of the plan. If a Telephone Company initiated rate increase causes PTDP rates to increase by more than 10% at any one time, the customer may cancel the PTDP without incurring termination liability charges.

(D)
|
(D)

ISSUE DATE:
September 16, 2020

Issued Under Transmittal No. 113
Vice President-Public Policy & Compliance
100 CenturyLink Drive
Monroe, Louisiana 71203

EFFECTIVE DATE:
October 1, 2020

ACCESS SERVICE

7. Special Access Service (Cont'd)7.4 Rate Regulations (Cont'd)7.4.16 Premier Term Discount Plan – GRANDFATHERED (Cont'd)

(C)

(G) Renewal of a PTDP

At the end of the PTDP service commitment period, the customer will have up to 12 months (365 days) to subscribe to a new PTDP at the prevailing rates set forth in Section 7.5.14 following. If the customer does not select a new PTDP, the rates will convert to the prevailing month-to-month special access rates set forth in Section 7.5 following, and will be effective as of the expiration date of the PTDP.

(H) Service Rearrangements

When a circuit committed to a PTDP is rearranged as set forth in 7.4.1(C)(3) preceding, the nonrecurring rearrangement charge associated with the month-to-month rates for that service will apply. Changes in the type of service or service termination are treated as disconnects and starts, and the nonrecurring installation charge associated with the month-to-month rates for that service will apply. Changes in the physical location of the point of termination are treated as moves, as described in 7.4.5 preceding, and will be assessed the nonrecurring charge associated with the month-to-month rates for that service.

(I) Cancellation Charges

When a customer cancels an order for special access service being provided under a PTDP, cancellation charges, as set forth in 5.2.4 preceding, will be calculated using the nonrecurring charges associated with the month-to-month rates for the service being cancelled.

ISSUE DATE:
September 16, 2020Issued Under Transmittal No. 113
Vice President-Public Policy & Compliance
100 CenturyLink Drive
Monroe, Louisiana 71203EFFECTIVE DATE:
October 1, 2020

ACCESS SERVICE

7. Special Access Service (Cont'd)

7.4 Rate Regulations (Cont'd)

7.4.16 Premier Term Discount Plan – GRANDFATHERED (Cont'd)

(C)

(J) Extension of a PTDP Commitment

Upon completion of the 5 year PTDP commitment period, the customer may extend their PTDP plan for an additional 12 months at the rates, terms and conditions in effect for the 5 year PTDP term commitment. Customers who wish to take advantage of the 12 month extension must notify the Telephone Company in writing within 60 days prior to the expiration of their original 5 year PTDP.

7.4.17 Reserved For Future Use

7.4.18 Reserved For Future Use

ISSUE DATE:
September 16, 2020

Issued Under Transmittal No. 113
Vice President-Public Policy & Compliance
100 CenturyLink Drive
Monroe, Louisiana 71203

EFFECTIVE DATE:
October 1, 2020

ACCESS SERVICE

7. Special Access Service(Cont'd)

7.4 Rate Regulations (Cont'd)

7.4.19 Reserved for Future Use

(C)

(D)

(D)

ISSUE DATE:
October 17, 2017

Issued Under Transmittal No. 96
Vice President-Regulatory Operations
100 CenturyLink Drive
Monroe, Louisiana 71203

EFFECTIVE DATE:
November 1, 2017

ACCESS SERVICE

7. Special Access Service(Cont'd)

7.4 Rate Regulations (Cont'd)

7.4.19 Reserved for Future Use

(C)

(D)

(D)

ISSUE DATE:
October 17, 2017

Issued Under Transmittal No. 96
Vice President-Regulatory Operations
100 CenturyLink Drive
Monroe, Louisiana 71203

EFFECTIVE DATE:
November 1, 2017

ACCESS SERVICE

7. Special Access Service(Cont'd)

7.4 Rate Regulations (Cont'd)

7.4.19 Reserved for Future Use

(C)

(D)

(D)

ISSUE DATE:
October 17, 2017

Issued Under Transmittal No. 96
Vice President-Regulatory Operations
100 CenturyLink Drive
Monroe, Louisiana 71203

EFFECTIVE DATE:
November 1, 2017

ACCESS SERVICE

7. Special Access Service(Cont'd)

7.4 Rate Regulations (Cont'd)

7.4.19 Reserved for Future Use

(C)

(D)

(D)

ISSUE DATE:
October 17, 2017

Issued Under Transmittal No. 96
Vice President-Regulatory Operations
100 CenturyLink Drive
Monroe, Louisiana 71203

EFFECTIVE DATE:
November 1, 2017

ACCESS SERVICE

7. Special Access Service(Cont'd)

7.4 Rate Regulations (Cont'd)

7.4.19 Reserved for Future Use

(C)

(D)

(D)

ISSUE DATE:
October 17, 2017

Issued Under Transmittal No. 96
Vice President-Regulatory Operations
100 CenturyLink Drive
Monroe, Louisiana 71203

EFFECTIVE DATE:
November 1, 2017

ACCESS SERVICE

7. Special Access Service(Cont'd)

7.4 Rate Regulations (Cont'd)

7.4.19 Reserved for Future Use

(C)

(D)

(D)

ISSUE DATE:
October 17, 2017

Issued Under Transmittal No. 96
Vice President-Regulatory Operations
100 CenturyLink Drive
Monroe, Louisiana 71203

EFFECTIVE DATE:
November 1, 2017

ACCESS SERVICE

7. Special Access Service(Cont'd)

7.4 Rate Regulations (Cont'd)

7.4.19 Reserved for Future Use

(C)

(D)

(D)

ISSUE DATE:
October 17, 2017

Issued Under Transmittal No. 96
Vice President-Regulatory Operations
100 CenturyLink Drive
Monroe, Louisiana 71203

EFFECTIVE DATE:
November 1, 2017

ACCESS SERVICE

7. Special Access Service(Cont'd)

7.4 Rate Regulations (Cont'd)

7.4.19 Reserved for Future Use

(C)

(D)

(D)

ISSUE DATE:
October 17, 2017

Issued Under Transmittal No. 96
Vice President-Regulatory Operations
100 CenturyLink Drive
Monroe, Louisiana 71203

EFFECTIVE DATE:
November 1, 2017

ACCESS SERVICE

7. Special Access Service(Cont'd)

7.4 Rate Regulations (Cont'd)

7.4.19 Reserved for Future Use

(C)

(D)

(D)

⁽¹⁾ The CenturyLink services previously identified on this page are no longer offered under tariff. Effective March 13, 2015, the Commission granted forbearance from dominant carrier regulation of these services.

http://transition.fcc.gov/Daily_Releases/Daily_Business/2015/db0316/DOC-332526A1.pdf

The rates, terms and conditions associated with these services are now available at

<http://www.centurylink.com/Pages/AboutUs/Legal/Tariffs/displayTariffLandingPage.html>

ISSUE DATE:
October 17, 2017

Issued Under Transmittal No. 96
Vice President-Regulatory Operations
100 CenturyLink Drive
Monroe, Louisiana 71203

EFFECTIVE DATE:
November 1, 2017

ACCESS SERVICE

7. Special Access Service(Cont'd)

7.4 Rate Regulations (Cont'd)

7.4.20 ⁽¹⁾

(C)

(D)

(D)

⁽¹⁾ The CenturyLink services previously identified on this page are no longer offered under tariff. Effective March 13, 2015, the Commission granted forbearance from dominant carrier regulation of these services.

http://transition.fcc.gov/Daily_Releases/Daily_Business/2015/db0316/DOC-332526A1.pdf

The rates, terms and conditions associated with these services are now available at

<http://www.centurylink.com/Pages/AboutUs/Legal/Tariffs/displayTariffLandingPage.html>

ISSUE DATE:
April 16, 2015

Issued Under Transmittal No. 69
Vice President-Regulatory Operations
100 CenturyLink Drive
Monroe, Louisiana 71203

EFFECTIVE DATE:
May 1, 2018

ACCESS SERVICE

7. Special Access Service(Cont'd)

7.4 Rate Regulations (Cont'd)

7.4.20 ⁽¹⁾

(C)

(D)

(D)

⁽¹⁾ The CenturyLink services previously identified on this page are no longer offered under tariff. Effective March 13, 2015, the Commission granted forbearance from dominant carrier regulation of these services.

http://transition.fcc.gov/Daily_Releases/Daily_Business/2015/db0316/DOC-332526A1.pdf

The rates, terms and conditions associated with these services are now available at

<http://www.centurylink.com/Pages/AboutUs/Legal/Tariffs/displayTariffLandingPage.html>

ISSUE DATE:
April 16, 2016

Issued Under Transmittal No. 69
Vice President-Regulatory Operations
100 CenturyLink Drive
Monroe, Louisiana 71203

EFFECTIVE DATE:
May 1, 2015

ACCESS SERVICE

7. Special Access Service(Cont'd)

7.4 Rate Regulations (Cont'd)

7.4.20 ⁽¹⁾

(C)

(D)

(D)

⁽¹⁾ The CenturyLink services previously identified on this page are no longer offered under tariff. Effective March 13, 2015, the Commission granted forbearance from dominant carrier regulation of these services.

http://transition.fcc.gov/Daily_Releases/Daily_Business/2015/db0316/DOC-332526A1.pdf

The rates, terms and conditions associated with these services are now available at

<http://www.centurylink.com/Pages/AboutUs/Legal/Tariffs/displayTariffLandingPage.html>

ISSUE DATE:
April 16, 2016

Issued Under Transmittal No. 69
Vice President-Regulatory Operations
100 CenturyLink Drive
Monroe, Louisiana 71203

EFFECTIVE DATE:
May 1, 2015

ACCESS SERVICE

7. Special Access Service(Cont'd)

7.4 Rate Regulations (Cont'd)

7.4.20 ⁽¹⁾

(C)

(D)

(D)

⁽¹⁾ The CenturyLink services previously identified on this page are no longer offered under tariff. Effective March 13, 2015, the Commission granted forbearance from dominant carrier regulation of these services.

http://transition.fcc.gov/Daily_Releases/Daily_Business/2015/db0316/DOC-332526A1.pdf

The rates, terms and conditions associated with these services are now available at

<http://www.centurylink.com/Pages/AboutUs/Legal/Tariffs/displayTariffLandingPage.html>

ISSUE DATE:
April 16, 2016

Issued Under Transmittal No. 69
Vice President-Regulatory Operations
100 CenturyLink Drive
Monroe, Louisiana 71203

EFFECTIVE DATE:
May 1, 2015

ACCESS SERVICE

7. Special Access Service(Cont'd)

7.4 Rate Regulations (Cont'd)

7.4.20 ⁽¹⁾

(C)

(D)

(D)

⁽¹⁾ The CenturyLink services previously identified on this page are no longer offered under tariff. Effective March 13, 2015, the Commission granted forbearance from dominant carrier regulation of these services.

http://transition.fcc.gov/Daily_Releases/Daily_Business/2015/db0316/DOC-332526A1.pdf

The rates, terms and conditions associated with these services are now available at

<http://www.centurylink.com/Pages/AboutUs/Legal/Tariffs/displayTariffLandingPage.html>

ISSUE DATE:
April 16, 2016

Issued Under Transmittal No. 69
Vice President-Regulatory Operations
100 CenturyLink Drive
Monroe, Louisiana 71203

EFFECTIVE DATE:
May 1, 2015

ACCESS SERVICE

7. Special Access Service(Cont'd)

7.4 Rate Regulations (Cont'd)

7.4.20 ⁽¹⁾

(C)

(D)

(D)

⁽¹⁾ The CenturyLink services previously identified on this page are no longer offered under tariff. Effective March 13, 2015, the Commission granted forbearance from dominant carrier regulation of these services.

http://transition.fcc.gov/Daily_Releases/Daily_Business/2015/db0316/DOC-332526A1.pdf

The rates, terms and conditions associated with these services are now available at

<http://www.centurylink.com/Pages/AboutUs/Legal/Tariffs/displayTariffLandingPage.html>

ISSUE DATE:
April 16, 2016

Issued Under Transmittal No. 69
Vice President-Regulatory Operations
100 CenturyLink Drive
Monroe, Louisiana 71203

EFFECTIVE DATE:
May 1, 2015

ACCESS SERVICE

7. Special Access Service(Cont'd)

7.4 Rate Regulations (Cont'd)

7.4.20 ⁽¹⁾

(C)

(D)

(D)

⁽¹⁾ The CenturyLink services previously identified on this page are no longer offered under tariff. Effective March 13, 2015, the Commission granted forbearance from dominant carrier regulation of these services.

http://transition.fcc.gov/Daily_Releases/Daily_Business/2015/db0316/DOC-332526A1.pdf

The rates, terms and conditions associated with these services are now available at

<http://www.centurylink.com/Pages/AboutUs/Legal/Tariffs/displayTariffLandingPage.html>

ISSUE DATE:
April 16, 2016

Issued Under Transmittal No. 69
Vice President-Regulatory Operations
100 CenturyLink Drive
Monroe, Louisiana 71203

EFFECTIVE DATE:
May 1, 2015

ACCESS SERVICE

7. Special Access Service(Cont'd)

7.4 Rate Regulations (Cont'd)

7.4.20 ⁽¹⁾

(C)

(D)

(D)

⁽¹⁾ The CenturyLink services previously identified on this page are no longer offered under tariff. Effective March 13, 2015, the Commission granted forbearance from dominant carrier regulation of these services.

http://transition.fcc.gov/Daily_Releases/Daily_Business/2015/db0316/DOC-332526A1.pdf

The rates, terms and conditions associated with these services are now available at

<http://www.centurylink.com/Pages/AboutUs/Legal/Tariffs/displayTariffLandingPage.html>

ISSUE DATE:
April 16, 2016

Issued Under Transmittal No. 69
Vice President-Regulatory Operations
100 CenturyLink Drive
Monroe, Louisiana 71203

EFFECTIVE DATE:
May 1, 2015

ACCESS SERVICE

7. Special Access Service(Cont'd)

7.4 Rate Regulations (Cont'd)

7.4.20 ⁽¹⁾

(C)

(D)

(D)

⁽¹⁾ The CenturyLink services previously identified on this page are no longer offered under tariff. Effective March 13, 2015, the Commission granted forbearance from dominant carrier regulation of these services.

http://transition.fcc.gov/Daily_Releases/Daily_Business/2015/db0316/DOC-332526A1.pdf

The rates, terms and conditions associated with these services are now available at

<http://www.centurylink.com/Pages/AboutUs/Legal/Tariffs/displayTariffLandingPage.html>

ISSUE DATE:
April 16, 2016

Issued Under Transmittal No. 69
Vice President-Regulatory Operations
100 CenturyLink Drive
Monroe, Louisiana 71203

EFFECTIVE DATE:
May 1, 2015

ACCESS SERVICE

7. Special Access Service(Cont'd)

7.4 Rate Regulations (Cont'd)

7.4.20 ⁽¹⁾

(C)

(D)

(D)

⁽¹⁾ The CenturyLink services previously identified on this page are no longer offered under tariff. Effective March 13, 2015, the Commission granted forbearance from dominant carrier regulation of these services.

http://transition.fcc.gov/Daily_Releases/Daily_Business/2015/db0316/DOC-332526A1.pdf

The rates, terms and conditions associated with these services are now available at

<http://www.centurylink.com/Pages/AboutUs/Legal/Tariffs/displayTariffLandingPage.html>

ISSUE DATE:
April 16, 2016

Issued Under Transmittal No. 69
Vice President-Regulatory Operations
100 CenturyLink Drive
Monroe, Louisiana 71203

EFFECTIVE DATE:
May 1, 2015

ACCESS SERVICE

7. Special Access Service(Cont'd)

7.4 Rate Regulations (Cont'd)

7.4.20 ⁽¹⁾

(T)

(D)

(D)

⁽¹⁾ The CenturyLink services previously identified on this page are no longer offered under tariff. Effective March 13, 2015, the Commission granted forbearance from dominant carrier regulation of these services.

http://transition.fcc.gov/Daily_Releases/Daily_Business/2015/db0316/DOC-332526A1.pdf

The rates, terms and conditions associated with these services are now available at

<http://www.centurylink.com/Pages/AboutUs/Legal/Tariffs/displayTariffLandingPage.html>

ISSUE DATE:
April 16, 2016

Issued Under Transmittal No. 69
Vice President-Regulatory Operations
100 CenturyLink Drive
Monroe, Louisiana 71203

EFFECTIVE DATE:
May 1, 2015

ACCESS SERVICE

7. Special Access Service(Cont'd)

7.4 Rate Regulations (Cont'd)

7.4.20 ⁽¹⁾

(C)

(D)

(D)

⁽¹⁾ The CenturyLink services previously identified on this page are no longer offered under tariff. Effective March 13, 2015, the Commission granted forbearance from dominant carrier regulation of these services.

http://transition.fcc.gov/Daily_Releases/Daily_Business/2015/db0316/DOC-332526A1.pdf

The rates, terms and conditions associated with these services are now available at

<http://www.centurylink.com/Pages/AboutUs/Legal/Tariffs/displayTariffLandingPage.html>

ISSUE DATE:
April 16, 2016

Issued Under Transmittal No. 69
Vice President-Regulatory Operations
100 CenturyLink Drive
Monroe, Louisiana 71203

EFFECTIVE DATE:
May 1, 2015

ACCESS SERVICE

7. Special Access Service(Cont'd)

7.4 Rate Regulations (Cont'd)

7.4.20 ⁽¹⁾

(T)

(D)

(D)

⁽¹⁾ The CenturyLink services previously identified on this page are no longer offered under tariff. Effective March 13, 2015, the Commission granted forbearance from dominant carrier regulation of these services.

http://transition.fcc.gov/Daily_Releases/Daily_Business/2015/db0316/DOC-332526A1.pdf

The rates, terms and conditions associated with these services are now available at

<http://www.centurylink.com/Pages/AboutUs/Legal/Tariffs/displayTariffLandingPage.html>

ISSUE DATE:
April 16, 2016

Issued Under Transmittal No. 69
Vice President-Regulatory Operations
100 CenturyLink Drive
Monroe, Louisiana 71203

EFFECTIVE DATE:
May 1, 2015

ACCESS SERVICE

7. Special Access Service(Cont'd)

7.4 Rate Regulations (Cont'd)

7.4.20 ⁽¹⁾

(T)

(D)

(D)

⁽¹⁾ The CenturyLink services previously identified on this page are no longer offered under tariff. Effective March 13, 2015, the Commission granted forbearance from dominant carrier regulation of these services.

http://transition.fcc.gov/Daily_Releases/Daily_Business/2015/db0316/DOC-332526A1.pdf

The rates, terms and conditions associated with these services are now available at

<http://www.centurylink.com/Pages/AboutUs/Legal/Tariffs/displayTariffLandingPage.html>

ISSUE DATE:
April 16, 2016

Issued Under Transmittal No. 69
Vice President-Regulatory Operations
100 CenturyLink Drive
Monroe, Louisiana 71203

EFFECTIVE DATE:
May 1, 2015

ACCESS SERVICE

7. Special Access Service(Cont'd)

7.4 Rate Regulations (Cont'd)

7.4.20 ⁽¹⁾

(T)

(D)

(D)

⁽¹⁾ The CenturyLink services previously identified on this page are no longer offered under tariff. Effective March 13, 2015, the Commission granted forbearance from dominant carrier regulation of these services.

http://transition.fcc.gov/Daily_Releases/Daily_Business/2015/db0316/DOC-332526A1.pdf

The rates, terms and conditions associated with these services are now available at

<http://www.centurylink.com/Pages/AboutUs/Legal/Tariffs/displayTariffLandingPage.html>

ISSUE DATE:
April 16, 2016

Issued Under Transmittal No. 69
Vice President-Regulatory Operations
100 CenturyLink Drive
Monroe, Louisiana 71203

EFFECTIVE DATE:
May 1, 2015

ACCESS SERVICE

7. Special Access Service(Cont'd)

7.4 Rate Regulations (Cont'd)

7.4.20 ⁽¹⁾

(T)

(D)

(D)

⁽¹⁾ The CenturyLink services previously identified on this page are no longer offered under tariff. Effective March 13, 2015, the Commission granted forbearance from dominant carrier regulation of these services.

http://transition.fcc.gov/Daily_Releases/Daily_Business/2015/db0316/DOC-332526A1.pdf

The rates, terms and conditions associated with these services are now available at

<http://www.centurylink.com/Pages/AboutUs/Legal/Tariffs/displayTariffLandingPage.html>

ISSUE DATE:
April 16, 2016

Issued Under Transmittal No. 69
Vice President-Regulatory Operations
100 CenturyLink Drive
Monroe, Louisiana 71203

EFFECTIVE DATE:
May 1, 2015

ACCESS SERVICE

7. Special Access Service(Cont'd)

7.4 Rate Regulations (Cont'd)

7.4.20 ⁽¹⁾

(T)

(D)

(D)

⁽¹⁾ The CenturyLink services previously identified on this page are no longer offered under tariff. Effective March 13, 2015, the Commission granted forbearance from dominant carrier regulation of these services.

http://transition.fcc.gov/Daily_Releases/Daily_Business/2015/db0316/DOC-332526A1.pdf

The rates, terms and conditions associated with these services are now available at

<http://www.centurylink.com/Pages/AboutUs/Legal/Tariffs/displayTariffLandingPage.html>

ISSUE DATE:
April 16, 2016

Issued Under Transmittal No. 69
Vice President-Regulatory Operations
100 CenturyLink Drive
Monroe, Louisiana 71203

EFFECTIVE DATE:
May 1, 2015

ACCESS SERVICE

7. Special Access Service(Cont'd)

7.4 Rate Regulations (Cont'd)

7.4.20 ⁽¹⁾

(T)

(D)

(D)

⁽¹⁾ The CenturyLink services previously identified on this page are no longer offered under tariff. Effective March 13, 2015, the Commission granted forbearance from dominant carrier regulation of these services.

http://transition.fcc.gov/Daily_Releases/Daily_Business/2015/db0316/DOC-332526A1.pdf

The rates, terms and conditions associated with these services are now available at

<http://www.centurylink.com/Pages/AboutUs/Legal/Tariffs/displayTariffLandingPage.html>

ISSUE DATE:
April 16, 2016

Issued Under Transmittal No. 69
Vice President-Regulatory Operations
100 CenturyLink Drive
Monroe, Louisiana 71203

EFFECTIVE DATE:
May 1, 2015

ACCESS SERVICE

7. Special Access Service(Cont'd)

7.4 Rate Regulations (Cont'd)

7.4.20 ⁽¹⁾

(T)

(D)

(D)

⁽¹⁾ The CenturyLink services previously identified on this page are no longer offered under tariff. Effective March 13, 2015, the Commission granted forbearance from dominant carrier regulation of these services.

http://transition.fcc.gov/Daily_Releases/Daily_Business/2015/db0316/DOC-332526A1.pdf

The rates, terms and conditions associated with these services are now available at

<http://www.centurylink.com/Pages/AboutUs/Legal/Tariffs/displayTariffLandingPage.html>

ISSUE DATE:
April 16, 2016

Issued Under Transmittal No. 69
Vice President-Regulatory Operations
100 CenturyLink Drive
Monroe, Louisiana 71203

EFFECTIVE DATE:
May 1, 2015

ACCESS SERVICE

7. Special Access Service(Cont'd)

(M)

(M)

(M) Material moved to Original Page 7-204.2 of this section.

ISSUE DATE:
February 7, 2013

Issued Under Transmittal No. 34
Vice President-Regulatory Operations
100 CenturyLink Drive
Monroe, Louisiana 71203

EFFECTIVE DATE:
February 22, 2013

ACCESS SERVICE

7. Special Access Service(Cont'd)

(M)

(M)

(M) Material moved to Original Page 7-204.3 of this section.

ISSUE DATE:
February 7, 2013

Issued Under Transmittal No. 34
Vice President-Regulatory Operations
100 CenturyLink Drive
Monroe, Louisiana 71203

EFFECTIVE DATE:
February 22, 2013

ACCESS SERVICE

7. Special Access Service(Cont'd)

(M)

(M)

(M) Material moved to Original Page 7-204.4 of this section.

ISSUE DATE:
February 7, 2013

Issued Under Transmittal No. 34
Vice President-Regulatory Operations
100 CenturyLink Drive
Monroe, Louisiana 71203

EFFECTIVE DATE:
February 22, 2013

ACCESS SERVICE

7. Special Access Service(Cont'd)

(M)

(M)

(M) Material moved to Original Page 7-204.5 of this section.

ISSUE DATE:
February 7, 2013

Issued Under Transmittal No. 34
Vice President-Regulatory Operations
100 CenturyLink Drive
Monroe, Louisiana 71203

EFFECTIVE DATE:
February 22, 2013

ACCESS SERVICE

7. Special Access Service(Cont'd)

7.4 Rate Regulations (Cont'd)

7.4.20 ⁽¹⁾

(T)

(D)

(D)

⁽¹⁾ The CenturyLink services previously identified on this page are no longer offered under tariff. Effective March 13, 2015, the Commission granted forbearance from dominant carrier regulation of these services.

http://transition.fcc.gov/Daily_Releases/Daily_Business/2015/db0316/DOC-332526A1.pdf

The rates, terms and conditions associated with these services are now available at

<http://www.centurylink.com/Pages/AboutUs/Legal/Tariffs/displayTariffLandingPage.html>

ISSUE DATE:
April 16, 2016

Issued Under Transmittal No. 69
Vice President-Regulatory Operations
100 CenturyLink Drive
Monroe, Louisiana 71203

EFFECTIVE DATE:
May 1, 2015

ACCESS SERVICE

7. Special Access Service(Cont'd)

7.4 Rate Regulations (Cont'd)

7.4.20 ⁽¹⁾

(T)

(D)

(D)

⁽¹⁾ The CenturyLink services previously identified on this page are no longer offered under tariff. Effective March 13, 2015, the Commission granted forbearance from dominant carrier regulation of these services.

http://transition.fcc.gov/Daily_Releases/Daily_Business/2015/db0316/DOC-332526A1.pdf

The rates, terms and conditions associated with these services are now available at

<http://www.centurylink.com/Pages/AboutUs/Legal/Tariffs/displayTariffLandingPage.html>

ISSUE DATE:
April 16, 2016

Issued Under Transmittal No. 69
Vice President-Regulatory Operations
100 CenturyLink Drive
Monroe, Louisiana 71203

EFFECTIVE DATE:
May 1, 2015

ACCESS SERVICE

7. Special Access Service(Cont'd)

7.4 Rate Regulations (Cont'd)

7.4.20 ⁽¹⁾

(T)

(D)

(D)

⁽¹⁾ The CenturyLink services previously identified on this page are no longer offered under tariff. Effective March 13, 2015, the Commission granted forbearance from dominant carrier regulation of these services.

http://transition.fcc.gov/Daily_Releases/Daily_Business/2015/db0316/DOC-332526A1.pdf

The rates, terms and conditions associated with these services are now available at

<http://www.centurylink.com/Pages/AboutUs/Legal/Tariffs/displayTariffLandingPage.html>

ISSUE DATE:
April 16, 2016

Issued Under Transmittal No. 69
Vice President-Regulatory Operations
100 CenturyLink Drive
Monroe, Louisiana 71203

EFFECTIVE DATE:
May 1, 2015

ACCESS SERVICE

7. Special Access Service(Cont'd)

7.4 Rate Regulations (Cont'd)

7.4.20 ⁽¹⁾

(T)

(D)

(D)

⁽¹⁾ The CenturyLink services previously identified on this page are no longer offered under tariff. Effective March 13, 2015, the Commission granted forbearance from dominant carrier regulation of these services.

http://transition.fcc.gov/Daily_Releases/Daily_Business/2015/db0316/DOC-332526A1.pdf

The rates, terms and conditions associated with these services are now available at

<http://www.centurylink.com/Pages/AboutUs/Legal/Tariffs/displayTariffLandingPage.html>

ISSUE DATE:
April 16, 2016

Issued Under Transmittal No. 69
Vice President-Regulatory Operations
100 CenturyLink Drive
Monroe, Louisiana 71203

EFFECTIVE DATE:
May 1, 2015

ACCESS SERVICE

7. Special Access Service(Cont'd)

7.4 Rate Regulations (Cont'd)

7.4.20 ⁽¹⁾

(T)

(D)

(D)

⁽¹⁾ The CenturyLink services previously identified on this page are no longer offered under tariff. Effective March 13, 2015, the Commission granted forbearance from dominant carrier regulation of these services.

http://transition.fcc.gov/Daily_Releases/Daily_Business/2015/db0316/DOC-332526A1.pdf

The rates, terms and conditions associated with these services are now available at

<http://www.centurylink.com/Pages/AboutUs/Legal/Tariffs/displayTariffLandingPage.html>

ISSUE DATE:
April 16, 2016

Issued Under Transmittal No. 69
Vice President-Regulatory Operations
100 CenturyLink Drive
Monroe, Louisiana 71203

EFFECTIVE DATE:
May 1, 2015

ACCESS SERVICE

7. Special Access Service(Cont'd)

7.4 Rate Regulations (Cont'd)

7.4.20 ⁽¹⁾

(T)

(D)

(D)

⁽¹⁾ The CenturyLink services previously identified on this page are no longer offered under tariff. Effective March 13, 2015, the Commission granted forbearance from dominant carrier regulation of these services.

http://transition.fcc.gov/Daily_Releases/Daily_Business/2015/db0316/DOC-332526A1.pdf

The rates, terms and conditions associated with these services are now available at

<http://www.centurylink.com/Pages/AboutUs/Legal/Tariffs/displayTariffLandingPage.html>

ISSUE DATE:
April 16, 2016

Issued Under Transmittal No. 69
Vice President-Regulatory Operations
100 CenturyLink Drive
Monroe, Louisiana 71203

EFFECTIVE DATE:
May 1, 2015

ACCESS SERVICE

7. Special Access Service(Cont'd)

7.4 Rate Regulations (Cont'd)

7.4.20 ⁽¹⁾

(T)

(D)

(D)

⁽¹⁾ The CenturyLink services previously identified on this page are no longer offered under tariff. Effective March 13, 2015, the Commission granted forbearance from dominant carrier regulation of these services.

http://transition.fcc.gov/Daily_Releases/Daily_Business/2015/db0316/DOC-332526A1.pdf

The rates, terms and conditions associated with these services are now available at

<http://www.centurylink.com/Pages/AboutUs/Legal/Tariffs/displayTariffLandingPage.html>

ISSUE DATE:
April 16, 2016

Issued Under Transmittal No. 69
Vice President-Regulatory Operations
100 CenturyLink Drive
Monroe, Louisiana 71203

EFFECTIVE DATE:
May 1, 2015

ACCESS SERVICE

7. Special Access Service(Cont'd)

7.4 Rate Regulations (Cont'd)

7.4.20 ⁽¹⁾

(T)

(D)

(D)

⁽¹⁾ The CenturyLink services previously identified on this page are no longer offered under tariff. Effective March 13, 2015, the Commission granted forbearance from dominant carrier regulation of these services.

http://transition.fcc.gov/Daily_Releases/Daily_Business/2015/db0316/DOC-332526A1.pdf

The rates, terms and conditions associated with these services are now available at

<http://www.centurylink.com/Pages/AboutUs/Legal/Tariffs/displayTariffLandingPage.html>

ISSUE DATE:
April 16, 2016

Issued Under Transmittal No. 69
Vice President-Regulatory Operations
100 CenturyLink Drive
Monroe, Louisiana 71203

EFFECTIVE DATE:
May 1, 2015

ACCESS SERVICE

7. Special Access Service(Cont'd)

7.4 Rate Regulations (Cont'd)

7.4.20 ⁽¹⁾

(T)

(D)

(D)

⁽¹⁾ The CenturyLink services previously identified on this page are no longer offered under tariff. Effective March 13, 2015, the Commission granted forbearance from dominant carrier regulation of these services.

http://transition.fcc.gov/Daily_Releases/Daily_Business/2015/db0316/DOC-332526A1.pdf

The rates, terms and conditions associated with these services are now available at

<http://www.centurylink.com/Pages/AboutUs/Legal/Tariffs/displayTariffLandingPage.html>

ISSUE DATE:
April 16, 2016

Issued Under Transmittal No. 69
Vice President-Regulatory Operations
100 CenturyLink Drive
Monroe, Louisiana 71203

EFFECTIVE DATE:
May 1, 2015

ACCESS SERVICE

7. Special Access Service(Cont'd)

7.4 Rate Regulations (Cont'd)

7.4.20 ⁽¹⁾

(T)

(D)

(D)

⁽¹⁾ The CenturyLink services previously identified on this page are no longer offered under tariff. Effective March 13, 2015, the Commission granted forbearance from dominant carrier regulation of these services.

http://transition.fcc.gov/Daily_Releases/Daily_Business/2015/db0316/DOC-332526A1.pdf

The rates, terms and conditions associated with these services are now available at

<http://www.centurylink.com/Pages/AboutUs/Legal/Tariffs/displayTariffLandingPage.html>

ISSUE DATE:
April 16, 2016

Issued Under Transmittal No. 69
Vice President-Regulatory Operations
100 CenturyLink Drive
Monroe, Louisiana 71203

EFFECTIVE DATE:
May 1, 2015

ACCESS SERVICE

7. Special Access Service(Cont'd)

7.4 Rate Regulations (Cont'd)

7.4.20 ⁽¹⁾

(T)

(D)

(D)

⁽¹⁾ The CenturyLink services previously identified on this page are no longer offered under tariff. Effective March 13, 2015, the Commission granted forbearance from dominant carrier regulation of these services.

http://transition.fcc.gov/Daily_Releases/Daily_Business/2015/db0316/DOC-332526A1.pdf

The rates, terms and conditions associated with these services are now available at

<http://www.centurylink.com/Pages/AboutUs/Legal/Tariffs/displayTariffLandingPage.html>

ISSUE DATE:
April 16, 2016

Issued Under Transmittal No. 69
Vice President-Regulatory Operations
100 CenturyLink Drive
Monroe, Louisiana 71203

EFFECTIVE DATE:
May 1, 2015

ACCESS SERVICE

7. Special Access Service(Cont'd)

7.4 Rate Regulations (Cont'd)

7.4.20 ⁽¹⁾

(T)

(D)

(D)

⁽¹⁾ The CenturyLink services previously identified on this page are no longer offered under tariff. Effective March 13, 2015, the Commission granted forbearance from dominant carrier regulation of these services.

http://transition.fcc.gov/Daily_Releases/Daily_Business/2015/db0316/DOC-332526A1.pdf

The rates, terms and conditions associated with these services are now available at

<http://www.centurylink.com/Pages/AboutUs/Legal/Tariffs/displayTariffLandingPage.html>

ISSUE DATE:
April 16, 2016

Issued Under Transmittal No. 69
Vice President-Regulatory Operations
100 CenturyLink Drive
Monroe, Louisiana 71203

EFFECTIVE DATE:
May 1, 2015

ACCESS SERVICE

7. Special Access Service(Cont'd)

7.4 Rate Regulations (Cont'd)

7.4.20 ⁽¹⁾

(T)

(D)

(D)

⁽¹⁾ The CenturyLink services previously identified on this page are no longer offered under tariff. Effective March 13, 2015, the Commission granted forbearance from dominant carrier regulation of these services.

http://transition.fcc.gov/Daily_Releases/Daily_Business/2015/db0316/DOC-332526A1.pdf

The rates, terms and conditions associated with these services are now available at

<http://www.centurylink.com/Pages/AboutUs/Legal/Tariffs/displayTariffLandingPage.html>

ISSUE DATE:
April 16, 2016

Issued Under Transmittal No. 69
Vice President-Regulatory Operations
100 CenturyLink Drive
Monroe, Louisiana 71203

EFFECTIVE DATE:
May 1, 2015

ACCESS SERVICE

7. Special Access Service(Cont'd)

7.4 Rate Regulations (Cont'd)

7.4.20 ⁽¹⁾

(T)

(D)

(D)

⁽¹⁾ The CenturyLink services previously identified on this page are no longer offered under tariff. Effective March 13, 2015, the Commission granted forbearance from dominant carrier regulation of these services.

http://transition.fcc.gov/Daily_Releases/Daily_Business/2015/db0316/DOC-332526A1.pdf

The rates, terms and conditions associated with these services are now available at

<http://www.centurylink.com/Pages/AboutUs/Legal/Tariffs/displayTariffLandingPage.html>

ISSUE DATE:
April 16, 2016

Issued Under Transmittal No. 69
Vice President-Regulatory Operations
100 CenturyLink Drive
Monroe, Louisiana 71203

EFFECTIVE DATE:
May 1, 2015

ACCESS SERVICE

7. Special Access Service(Cont'd)

7.4 Rate Regulations (Cont'd)

7.4.20 ⁽¹⁾

(T)

(D)

(D)

⁽¹⁾ The CenturyLink services previously identified on this page are no longer offered under tariff. Effective March 13, 2015, the Commission granted forbearance from dominant carrier regulation of these services.

http://transition.fcc.gov/Daily_Releases/Daily_Business/2015/db0316/DOC-332526A1.pdf

The rates, terms and conditions associated with these services are now available at

<http://www.centurylink.com/Pages/AboutUs/Legal/Tariffs/displayTariffLandingPage.html>

ISSUE DATE:
April 16, 2016

Issued Under Transmittal No. 69
Vice President-Regulatory Operations
100 CenturyLink Drive
Monroe, Louisiana 71203

EFFECTIVE DATE:
May 1, 2015

ACCESS SERVICE

7. Special Access Service(Cont'd)

7.4 Rate Regulations (Cont'd)

7.4.20 ⁽¹⁾

(T)

(D)

(D)

⁽¹⁾ The CenturyLink services previously identified on this page are no longer offered under tariff. Effective March 13, 2015, the Commission granted forbearance from dominant carrier regulation of these services.

http://transition.fcc.gov/Daily_Releases/Daily_Business/2015/db0316/DOC-332526A1.pdf

The rates, terms and conditions associated with these services are now available at

<http://www.centurylink.com/Pages/AboutUs/Legal/Tariffs/displayTariffLandingPage.html>

ISSUE DATE:
April 16, 2016

Issued Under Transmittal No. 69
Vice President-Regulatory Operations
100 CenturyLink Drive
Monroe, Louisiana 71203

EFFECTIVE DATE:
May 1, 2015

ACCESS SERVICE

7. Special Access Service(Cont'd)

7.4 Rate Regulations (Cont'd)

7.4.20 ⁽¹⁾

(T)

(D)

(D)

⁽¹⁾ The CenturyLink services previously identified on this page are no longer offered under tariff. Effective March 13, 2015, the Commission granted forbearance from dominant carrier regulation of these services.

http://transition.fcc.gov/Daily_Releases/Daily_Business/2015/db0316/DOC-332526A1.pdf

The rates, terms and conditions associated with these services are now available at

<http://www.centurylink.com/Pages/AboutUs/Legal/Tariffs/displayTariffLandingPage.html>

ISSUE DATE:
April 16, 2016

Issued Under Transmittal No. 69
Vice President-Regulatory Operations
100 CenturyLink Drive
Monroe, Louisiana 71203

EFFECTIVE DATE:
May 1, 2015

ACCESS SERVICE

7. Special Access Service(Cont'd)

7.4 Rate Regulations (Cont'd)

7.4.21 ⁽¹⁾

(T)

(D)

(D)

⁽¹⁾ The CenturyLink services previously identified on this page are no longer offered under tariff. Effective March 13, 2015, the Commission granted forbearance from dominant carrier regulation of these services.

http://transition.fcc.gov/Daily_Releases/Daily_Business/2015/db0316/DOC-332526A1.pdf

The rates, terms and conditions associated with these services are now available at

<http://www.centurylink.com/Pages/AboutUs/Legal/Tariffs/displayTariffLandingPage.html>

ISSUE DATE:
April 16, 2016

Issued Under Transmittal No. 69
Vice President-Regulatory Operations
100 CenturyLink Drive
Monroe, Louisiana 71203

EFFECTIVE DATE:
May 1, 2015

ACCESS SERVICE

7. Special Access Service(Cont'd)

7.4 Rate Regulations (Cont'd)

7.4.21 ⁽¹⁾

(T)

(D)

(D)

⁽¹⁾ The CenturyLink services previously identified on this page are no longer offered under tariff. Effective March 13, 2015, the Commission granted forbearance from dominant carrier regulation of these services.

http://transition.fcc.gov/Daily_Releases/Daily_Business/2015/db0316/DOC-332526A1.pdf

The rates, terms and conditions associated with these services are now available at

<http://www.centurylink.com/Pages/AboutUs/Legal/Tariffs/displayTariffLandingPage.html>

ISSUE DATE:
April 16, 2016

Issued Under Transmittal No. 69
Vice President-Regulatory Operations
100 CenturyLink Drive
Monroe, Louisiana 71203

EFFECTIVE DATE:
May 1, 2015

ACCESS SERVICE

7. Special Access Service(Cont'd)

7.4 Rate Regulations (Cont'd)

7.4.21 ⁽¹⁾

(T)

(D)

(D)

⁽¹⁾ The CenturyLink services previously identified on this page are no longer offered under tariff. Effective March 13, 2015, the Commission granted forbearance from dominant carrier regulation of these services.

http://transition.fcc.gov/Daily_Releases/Daily_Business/2015/db0316/DOC-332526A1.pdf

The rates, terms and conditions associated with these services are now available at

<http://www.centurylink.com/Pages/AboutUs/Legal/Tariffs/displayTariffLandingPage.html>

ISSUE DATE:
April 16, 2016

Issued Under Transmittal No. 69
Vice President-Regulatory Operations
100 CenturyLink Drive
Monroe, Louisiana 71203

EFFECTIVE DATE:
May 1, 2015

ACCESS SERVICE

7. Special Access Service(Cont'd)

7.4 Rate Regulations (Cont'd)

7.4.21 ⁽¹⁾

(T)

(D)

(D)

⁽¹⁾ The CenturyLink services previously identified on this page are no longer offered under tariff. Effective March 13, 2015, the Commission granted forbearance from dominant carrier regulation of these services.

http://transition.fcc.gov/Daily_Releases/Daily_Business/2015/db0316/DOC-332526A1.pdf

The rates, terms and conditions associated with these services are now available at

<http://www.centurylink.com/Pages/AboutUs/Legal/Tariffs/displayTariffLandingPage.html>

ISSUE DATE:
April 16, 2016

Issued Under Transmittal No. 69
Vice President-Regulatory Operations
100 CenturyLink Drive
Monroe, Louisiana 71203

EFFECTIVE DATE:
May 1, 2015

ACCESS SERVICE

7. Special Access Service(Cont'd)

7.4 Rate Regulations (Cont'd)

7.4.21 ⁽¹⁾

(T)

(D)

(D)

⁽¹⁾ The CenturyLink services previously identified on this page are no longer offered under tariff. Effective March 13, 2015, the Commission granted forbearance from dominant carrier regulation of these services.

http://transition.fcc.gov/Daily_Releases/Daily_Business/2015/db0316/DOC-332526A1.pdf

The rates, terms and conditions associated with these services are now available at

<http://www.centurylink.com/Pages/AboutUs/Legal/Tariffs/displayTariffLandingPage.html>

ISSUE DATE:
April 16, 2016

Issued Under Transmittal No. 69
Vice President-Regulatory Operations
100 CenturyLink Drive
Monroe, Louisiana 71203

EFFECTIVE DATE:
May 1, 2015

ACCESS SERVICE

7. Special Access Service(Cont'd)

7.4 Rate Regulations (Cont'd)

7.4.21 ⁽¹⁾

(T)

(D)

(D)

⁽¹⁾ The CenturyLink services previously identified on this page are no longer offered under tariff. Effective March 13, 2015, the Commission granted forbearance from dominant carrier regulation of these services.

http://transition.fcc.gov/Daily_Releases/Daily_Business/2015/db0316/DOC-332526A1.pdf

The rates, terms and conditions associated with these services are now available at

<http://www.centurylink.com/Pages/AboutUs/Legal/Tariffs/displayTariffLandingPage.html>

ISSUE DATE:
April 16, 2016

Issued Under Transmittal No. 69
Vice President-Regulatory Operations
100 CenturyLink Drive
Monroe, Louisiana 71203

EFFECTIVE DATE:
May 1, 2015

ACCESS SERVICE

- 7. Special Access Service (Cont'd)
- 7.5 Rates and Charges (Cont'd)
- 7.5.1 ⁽¹⁾

(D)

(D)

⁽¹⁾ The CenturyLink services previously identified on this page are no longer offered under tariff. Effective March 13, 2015 the Commission granted forbearance from dominant carrier regulation of these services. http://transition.fcc.gov/Daily_Releases/Daily_Business/2015/db0316/DOC-332526A1.pdf
The rates, terms and conditions associated with these services are now available at:
<http://www.centurylink.com/Pages/AboutUs/Legal/Tariffs/displayTariffLandingPage.html>

ISSUE DATE:
April 16, 2015

Issued Under Transmittal No. 69
Vice President-Regulatory Operations
100 CenturyLink Drive
Monroe, Louisiana 71203

EFFECTIVE DATE:
May 1, 2015

ACCESS SERVICE

7. Special Access Service (Cont'd)7.5 Rates and Charges (Cont'd)7.5.2 Voice Grade Service ^[1](Cont'd)(A) Non-Competitive End User Channel Termination

- Per Point of Termination

	Two-Wire Monthly Rates *	Four-Wire Monthly Rates *	Nonrecurring Installation Charge *	Nonrecurring Rearrangement Charge *
Florida	\$85.00	\$116.00 (I)	\$150.00	\$75.00
Minnesota	\$82.00	\$98.00	\$150.00	\$75.00
Nebraska	\$82.00	\$98.00	\$150.00	\$75.00
Oregon	\$85.00	\$116.00 (I)	\$150.00	\$75.00
Washington	\$85.00	\$116.00 (I)	\$150.00	\$75.00
Wyoming	\$82.00	\$98.00	\$150.00	\$75.00

(B) Reserved for Future Use

These rates are applicable to WATS services provided over voice grade facilities.

^[1] Effective February 1, 2020, Voice Grade Service is grandfathered. Availability to current customers who are not under contract is limited to circuits already in place at existing locations. Customers under existing contracts will be allowed to place new orders and moves only to the extent permitted by their contracts. Existing contracts will not be renewed. When contracts expire, customers may retain their service on a month-to-month basis and will be limited to in-service circuits at existing locations.

ISSUE DATE:
September 15, 2023

Issued Under Transmittal No. 129
Vice President-Regulatory Operations
100 CenturyLink Drive
Monroe, Louisiana 71203

EFFECTIVE DATE:
October 1, 2023

ACCESS SERVICE

7. Special Access Service (Cont'd)

7.5 Rates and Charges (Cont'd)

7.5.2 Voice Grade Service ^[1] (Cont'd)

(C)

(C) Reserved for Future Use

^[1] **Effective February 1, 2020, Voice Grade Service is grandfathered. Availability to current customers who are not under contract is limited to circuits already in place at existing locations. Customers under existing contracts will be allowed to place new orders and moves only to the extent permitted by their contracts. Existing contracts will not be renewed. When contracts expire, customers may retain their service on a month-to-month basis and will be limited to in-service circuits at existing locations.**

(N)
|
(N)

ISSUE DATE:
January 17, 2020

Issued Under Transmittal No. 110
Vice President-Public Policy & Compliance
100 CenturyLink Drive
Monroe, Louisiana 71203

EFFECTIVE DATE:
February 1, 2020

ACCESS SERVICE

7. Special Access Service (Cont'd)

7.5 Rates and Charges (Cont'd)

7.5.2 Voice Grade Service ^[1] (Cont'd)

(D) Optional Features and Functions

(1) Bridging

(a) Nonrecurring Charges

- Voice Bridging, Data Bridging, Telephoto Bridging

- Per Port

	<u>Nonrecurring Charges</u>	
Florida	\$67.00	(D)
		(D)
Minnesota	\$67.00	
Nebraska	\$67.00	(D)
		(D)
		(D)
Oregon	\$67.00	
		(D)
		(D)
Washington	\$67.00	
Wyoming	\$67.00	
		(D)

^[1] Effective February 1, 2020, Voice Grade Service is grandfathered. Availability to current customers who are not under contract is limited to circuits already in place at existing locations. Customers under existing contracts will be allowed to place new orders and moves only to the extent permitted by their contracts. Existing contracts will not be renewed. When contracts expire, customers may retain their service on a month-to-month basis and will be limited to in-service circuits at existing locations.

Material deleted from this page now appears in Brightspeed Local Operating Companies Tariff F.C.C. NO. 9. (N)
 (N)

ISSUE DATE:
 September 19, 2022

Issued Under Transmittal No. 125
 Vice President-Regulatory Operations
 100 CenturyLink Drive
 Monroe, Louisiana 71203

EFFECTIVE DATE:
 October 4, 2022

ACCESS SERVICE

7. Special Access Service (Cont'd)

7.5 Rates and Charges (Cont'd)

7.5.2 Voice Grade Service ^[1] (Cont'd)

(D) Optional Features and Functions (Cont'd)

(1) Bridging (Cont'd)

(b) Voice Bridging

- Per Port

	<u>Monthly Rates</u>	
Florida	\$15.00	(D)
		(D)
Minnesota	\$7.00	(D)
Nebraska	\$7.00	(D)
		(D)
Oregon	\$6.75	(D)
		(D)
Washington	\$6.75	(D)
Wyoming	\$7.00	(D)
		(D)

^[1] Effective February 1, 2020, Voice Grade Service is grandfathered. Availability to current customers who are not under contract is limited to circuits already in place at existing locations. Customers under existing contracts will be allowed to place new orders and moves only to the extent permitted by their contracts. Existing contracts will not be renewed. When contracts expire, customers may retain their service on a month-to-month basis and will be limited to in-service circuits at existing locations.

Material deleted from this page now appears in Brightspeed Local Operating Companies Tariff F.C.C. NO. 9. (N)
 (N)

ISSUE DATE:
 September 19, 2022

Issued Under Transmittal No. 125
 Vice President-Regulatory Operations
 100 CenturyLink Drive
 Monroe, Louisiana 71203

EFFECTIVE DATE:
 October 4, 2022

ACCESS SERVICE

7. Special Access Service (Cont'd)

7.5 Rates and Charges (Cont'd)

7.5.2 Voice Grade Service ^[1] (Cont'd)

(D) Optional Features and Functions (Cont'd)

(1) Bridging (Cont'd)

(c) Data Bridging

- Per Port

	<u>Monthly Rates</u>	
Florida	\$6.30	(D)
		(D)
Minnesota	\$9.00	(D)
Nebraska	\$9.00	(D)
		(D)
Oregon	\$6.75	(D)
		(D)
Washington	\$6.75	(D)
Wyoming	\$9.00	(D)
		(D)

^[1] Effective February 1, 2020, Voice Grade Service is grandfathered. Availability to current customers who are not under contract is limited to circuits already in place at existing locations. Customers under existing contracts will be allowed to place new orders and moves only to the extent permitted by their contracts. Existing contracts will not be renewed. When contracts expire, customers may retain their service on a month-to-month basis and will be limited to in-service circuits at existing locations.

Material deleted from this page now appears in Brightspeed Local Operating Companies Tariff F.C.C. NO. 9. (N)
 (N)

ISSUE DATE:
 September 19, 2022

Issued Under Transmittal No. 125
 Vice President-Regulatory Operations
 100 CenturyLink Drive
 Monroe, Louisiana 71203

EFFECTIVE DATE:
 October 4, 2022

ACCESS SERVICE

7. Special Access Service (Cont'd)

7.5 Rates and Charges (Cont'd)

7.5.2 Voice Grade Service ^[1] (Cont'd)

(D) Optional Features and Functions (Cont'd)

(1) Bridging (Cont'd)

(d) Telephoto Bridging

- Per Port

	<u>Monthly Rates</u>	
Florida	\$5.10	(D) (D)
Minnesota	GAR	(D)
Nebraska	GAR	(D) (D)
Oregon	\$14.00	(D) (D)
Washington	\$14.00	
Wyoming	GAR	(D)

^[1] Effective February 1, 2020, Voice Grade Service is grandfathered. Availability to current customers who are not under contract is limited to circuits already in place at existing locations. Customers under existing contracts will be allowed to place new orders and moves only to the extent permitted by their contracts. Existing contracts will not be renewed. When contracts expire, customers may retain their service on a month-to-month basis and will be limited to in-service circuits at existing locations.

Material deleted from this page now appears in Brightspeed Local Operating Companies Tariff F.C.C. NO. 9. (N)
(N)

ISSUE DATE:
September 19, 2022

Issued Under Transmittal No. 125
 Vice President-Regulatory Operations
 100 CenturyLink Drive
 Monroe, Louisiana 71203

EFFECTIVE DATE:
October 4, 2022

ACCESS SERVICE

7. Special Access Service (Cont'd)

7.5 Rates and Charges (Cont'd)

7.5.2 Voice Grade Service ^[1] (Cont'd)

(D) Optional Features and Functions (Cont'd)

(2) Conditioning

- Per Point of Termination

(a) Nonrecurring Charges

- C-Type, Improved Attenuation Distortion, Improved Envelope Delay Distortion, Sealing Current *, Improved Return Loss, Improved Termination, Customer Specified Premises Receive Level *, Loopback Capability *, DA-Type, Telephoto Capability

	<u>Nonrecurring Charge</u>	
Florida	\$46.00	(D)
		(D)
Minnesota	\$46.00	(D)
Nebraska	\$46.00	(D)
		(D)
Oregon	\$46.00	(D)
		(D)
Washington	\$46.00	(D)
Wyoming	\$46.00	(D)

* Only applicable subsequent to initial installation of a voice grade service.

^[1] Effective February 1, 2020, Voice Grade Service is grandfathered. Availability to current customers who are not under contract is limited to circuits already in place at existing locations. Customers under existing contracts will be allowed to place new orders and moves only to the extent permitted by their contracts. Existing contracts will not be renewed. When contracts expire, customers may retain their service on a month-to-month basis and will be limited to in-service circuits at existing locations.

Material deleted from this page now appears in Brightspeed Local Operating Companies Tariff F.C.C. NO. 9.

ISSUE DATE:
 September 19, 2022

Issued Under Transmittal No. 125
 Vice President-Regulatory Operations
 100 CenturyLink Drive
 Monroe, Louisiana 71203

EFFECTIVE DATE:
 October 4, 2022

(N)
 (N)

ACCESS SERVICE

7. Special Access Service (Cont'd)

7.5 Rates and Charges (Cont'd)

7.5.2 Voice Grade Service ^[1] (Cont'd)

(D) Optional Features and Functions (Cont'd)

(2) Conditioning (Cont'd)

- Per Point of Termination

(b) C-Type

	<u>Monthly Rates</u>	
Florida	\$9.60	(D) (D)
Minnesota	\$14.90	(D)
Nebraska	\$14.90	(D) (D)
Oregon	\$3.00	(D) (D)
Washington	\$3.00	
Wyoming	\$14.90	(D)

^[1] Effective February 1, 2020, Voice Grade Service is grandfathered. Availability to current customers who are not under contract is limited to circuits already in place at existing locations. Customers under existing contracts will be allowed to place new orders and moves only to the extent permitted by their contracts. Existing contracts will not be renewed. When contracts expire, customers may retain their service on a month-to-month basis and will be limited to in-service circuits at existing locations.

Material deleted from this page now appears in Brightspeed Local Operating Companies Tariff F.C.C. NO. 9. (N)
(N)

ISSUE DATE:
September 19, 2022

Issued Under Transmittal No. 125
 Vice President-Regulatory Operations
 100 CenturyLink Drive
 Monroe, Louisiana 71203

EFFECTIVE DATE:
October 4, 2022

ACCESS SERVICE

7. Special Access Service (Cont'd)

7.5 Rates and Charges (Cont'd)

7.5.2 Voice Grade Service ^[1] (Cont'd)

(D) Optional Features and Functions (Cont'd)

(2) Conditioning (Cont'd)

- Per Point of Termination

(c) Improved Attenuation Distortion

	<u>Monthly Rates</u>	
Florida	\$16.30	(D)
Minnesota	\$14.00	(D)
Nebraska	\$14.00	(D)
Oregon	\$14.50	(D)
Washington	\$14.50	(D)
Wyoming	\$14.00	(D)

^[1] Effective February 1, 2020, Voice Grade Service is grandfathered. Availability to current customers who are not under contract is limited to circuits already in place at existing locations. Customers under existing contracts will be allowed to place new orders and moves only to the extent permitted by their contracts. Existing contracts will not be renewed. When contracts expire, customers may retain their service on a month-to-month basis and will be limited to in-service circuits at existing locations.

Material deleted from this page now appears in Brightspeed Local Operating Companies Tariff F.C.C. NO. 9. (N)
 (N)

ISSUE DATE:
 September 19, 2022

Issued Under Transmittal No. 125
 Vice President-Regulatory Operations
 100 CenturyLink Drive
 Monroe, Louisiana 71203

EFFECTIVE DATE:
 October 4, 2022

ACCESS SERVICE

7. Special Access Service (Cont'd)

7.5 Rates and Charges (Cont'd)

7.5.2 Voice Grade Service ^[1] (Cont'd)

(D) Optional Features and Functions (Cont'd)

(2) Conditioning (Cont'd)

- Per Point of Termination

(d) Improved Envelope Delay Distortion

	<u>Monthly Rates</u>	
Florida	\$85.00	(D)
		(D)
Minnesota	\$60.00	
Nebraska	\$60.00	(D)
		(D)
		(D)
Oregon	\$73.00	(D)
		(D)
Washington	\$73.00	(D)
Wyoming	\$60.00	
		(D)

^[1] Effective February 1, 2020, Voice Grade Service is grandfathered. Availability to current customers who are not under contract is limited to circuits already in place at existing locations. Customers under existing contracts will be allowed to place new orders and moves only to the extent permitted by their contracts. Existing contracts will not be renewed. When contracts expire, customers may retain their service on a month-to-month basis and will be limited to in-service circuits at existing locations.

Material deleted from this page now appears in Brightspeed Local Operating Companies Tariff F.C.C. NO. 9. (N)
 (N)

ISSUE DATE:
 September 19, 2022

Issued Under Transmittal No. 125
 Vice President-Regulatory Operations
 100 CenturyLink Drive
 Monroe, Louisiana 71203

EFFECTIVE DATE:
 October 4, 2022

ACCESS SERVICE

7. Special Access Service (Cont'd)

7.5 Rates and Charges (Cont'd)

7.5.2 Voice Grade Service ^[1] (Cont'd)

(D) Optional Features and Functions (Cont'd)

(2) Conditioning (Cont'd)

(e) Improved Return Loss/Improved Termination

- Per Point of Termination

	Monthly Rates	
	<u>Two Wire</u>	<u>Four Wire</u>
Florida	\$5.30	\$7.70
Minnesota	\$6.50	\$8.35
Nebraska	\$6.50	\$8.35
Oregon	\$3.00	\$4.00
Washington	\$3.00	\$4.00
Wyoming	\$6.50	\$8.35

(D)
 (D)
 (D)
 (D)
 (D)
 (D)
 (D)
 (D)

^[1] Effective February 1, 2020, Voice Grade Service is grandfathered. Availability to current customers who are not under contract is limited to circuits already in place at existing locations. Customers under existing contracts will be allowed to place new orders and moves only to the extent permitted by their contracts. Existing contracts will not be renewed. When contracts expire, customers may retain their service on a month-to-month basis and will be limited to in-service circuits at existing locations.

Material deleted from this page now appears in Brightspeed Local Operating Companies Tariff F.C.C. NO. 9.

(N)
 (N)

ISSUE DATE:
 September 19, 2022

Issued Under Transmittal No. 125
 Vice President-Regulatory Operations
 100 CenturyLink Drive
 Monroe, Louisiana 71203

EFFECTIVE DATE:
 October 4, 2022

ACCESS SERVICE

7. Special Access Service (Cont'd)

7.5 Rates and Charges (Cont'd)

7.5.2 Voice Grade Service ^[1] (Cont'd)

(D) Optional Features and Functions (Cont'd)

(2) Conditioning (Cont'd)

(f) Loopback Capability*
 (chargeable with Channel Interface Codes
 Other than DA and DB)

- Per Point of Termination Equipped

	<u>Monthly Rates</u>	
Florida	GAR	(D) (D)
Minnesota	GAR	(D)
Nebraska	GAR	(D) (D)
Oregon	GAR	(D) (D)
Washington	GAR	(D)
Wyoming	GAR	

* Applicable only to provision of Loopback Capability subsequent to initial installation of a voice grade service.

^[1] Effective February 1, 2020, Voice Grade Service is grandfathered. Availability to current customers who are not under contract is limited to circuits already in place at existing locations. Customers under existing contracts will be allowed to place new orders and moves only to the extent permitted by their contracts. Existing contracts will not be renewed. When contracts expire, customers may retain their service on a month-to-month basis and will be limited to in-service circuits at existing locations.

Material deleted from this page now appears in Brightspeed Local Operating Companies Tariff F.C.C. NO. 9.

ISSUE DATE:
 September 19, 2022

Issued Under Transmittal No. 125
 Vice President-Regulatory Operations
 100 CenturyLink Drive
 Monroe, Louisiana 71203

EFFECTIVE DATE:
 October 4, 2022

(D)
(D)
(D)
(D)
(D)
(D)
(D)
(D)
(N)
(N)

ACCESS SERVICE

7. Special Access Service (Cont'd)

7.5 Rates and Charges (Cont'd)

7.5.2 Voice Grade Service ^[1] (Cont'd)

(D) Optional Features and Functions (Cont'd)

(2) Conditioning (Cont'd)

(g) DA Type Conditioning

- Per Point of Termination

	<u>Monthly Rates</u>	
Florida	\$6.25	(D) (D)
Minnesota	\$9.50	(D)
Nebraska	\$9.50	(D) (D)
Oregon	NONE	(D) (D)
Washington	NONE	(D)
Wyoming	\$9.50	

^[1] Effective February 1, 2020, Voice Grade Service is grandfathered. Availability to current customers who are not under contract is limited to circuits already in place at existing locations. Customers under existing contracts will be allowed to place new orders and moves only to the extent permitted by their contracts. Existing contracts will not be renewed. When contracts expire, customers may retain their service on a month-to-month basis and will be limited to in-service circuits at existing locations.

Material deleted from this page now appears in Brightspeed Local Operating Companies Tariff F.C.C. NO. 9. (N)
(N)

ISSUE DATE:
September 19, 2022

Issued Under Transmittal No. 125
 Vice President-Regulatory Operations
 100 CenturyLink Drive
 Monroe, Louisiana 71203

EFFECTIVE DATE:
October 4, 2022

ACCESS SERVICE

7. Special Access Service (Cont'd)

7.5 Rates and Charges (Cont'd)

7.5.2 Voice Grade Service ^[1] (Cont'd)

(D) Optional Features and Functions (Cont'd)

(2) Conditioning (Cont'd)

(h) Telephoto Capability

- Per Point of Termination

	<u>Monthly Rates</u>	
Florida	\$14.90	(D)
		(D)
Minnesota	\$9.50	(D)
Nebraska	\$9.50	(D)
		(D)
Oregon	\$12.00	(D)
		(D)
Washington	\$12.00	(D)
Wyoming	\$9.50	(D)

^[1] Effective February 1, 2020, Voice Grade Service is grandfathered. Availability to current customers who are not under contract is limited to circuits already in place at existing locations. Customers under existing contracts will be allowed to place new orders and moves only to the extent permitted by their contracts. Existing contracts will not be renewed. When contracts expire, customers may retain their service on a month-to-month basis and will be limited to in-service circuits at existing locations.

Material deleted from this page now appears in Brightspeed Local Operating Companies Tariff F.C.C. NO. 9. (N)
 (N)

ISSUE DATE:
 September 19, 2022

Issued Under Transmittal No. 125
 Vice President-Regulatory Operations
 100 CenturyLink Drive
 Monroe, Louisiana 71203

EFFECTIVE DATE:
 October 4, 2022

ACCESS SERVICE

7. Special Access Service (Cont'd)

7.5 Rates and Charges (Cont'd)

7.5.2 Voice Grade Service ^[1] (Cont'd)

(A) Non-Competitive End User Channel Termination

- Per Point of Termination

(1) Nonrecurring Charges

- All Bandwidths

	Installation		Rearrangement		
	Monthly	Daily	Monthly	Daily	
Florida	\$208.00	\$208.00	\$104.00	\$104.00	(D)
Minnesota	\$197.60	\$197.60	\$98.80	\$98.80	(D)
Nebraska	\$197.60	\$197.60	\$98.80	\$98.80	(D)
Oregon	\$164.40	\$164.40	\$82.20	\$82.20	(D)
Washington	\$164.40	\$164.40	\$82.20	\$82.20	(D)
Wyoming	\$197.60	\$197.60	\$98.80	\$98.80	(D)

^[1] Effective February 1, 2020, Voice Grade Service is grandfathered. Availability to current customers who are not under contract is limited to circuits already in place at existing locations. Customers under existing contracts will be allowed to place new orders and moves only to the extent permitted by their contracts. Existing contracts will not be renewed. When contracts expire, customers may retain their service on a month-to-month basis and will be limited to in-service circuits at existing locations.

Material deleted from this page now appears in Brightspeed Local Operating Companies Tariff F.C.C. NO. 9.

ISSUE DATE:
 September 19, 2022

Issued Under Transmittal No. 125
 Vice President-Regulatory Operations
 100 CenturyLink Drive
 Monroe, Louisiana 71203

EFFECTIVE DATE:
 October 4, 2022

(D)
 (D)
 (D)
 (D)
 (D)
 (D)
 (D)
 (D)

(N)
 (N)

ACCESS SERVICE

7. Special Access Service (Cont'd)

7.5 Rates and Charges (Cont'd)

7.5.3 Program Audio Service ^[1] (Cont'd)

(A) Non-Competitive End User Channel Termination (Cont'd)

- Per Point of Termination

(2) 300 – 2500 HZ Channels

	<u>Monthly Rates</u>	<u>Daily Rates</u>	
Florida	\$70.80	\$2.36	(D)
			(D)
Minnesota	\$58.80	\$1.96	
Nebraska	\$58.80	\$1.96	(D)
			(D)
Oregon	\$51.80	\$1.73	(D)
			(D)
Washington	\$51.80	\$1.73	
Wyoming	\$58.80	\$1.96	

^[1] Effective February 1, 2020, Program Audio Service is grandfathered. Availability to current customers who are not under contract is limited to circuits already in place at existing locations. Customers under existing contracts will be allowed to place new orders and moves only to the extent permitted by their contracts. Existing contracts will not be renewed. When contracts expire, customers may retain their service on a month-to-month basis and will be limited to in-service circuits at existing locations.

Material deleted from this page now appears in Brightspeed Local Operating Companies Tariff F.C.C. NO. 9. (N)
 (N)

ISSUE DATE:
 September 19, 2022

Issued Under Transmittal No. 125
 Vice President-Regulatory Operations
 100 CenturyLink Drive
 Monroe, Louisiana 71203

EFFECTIVE DATE:
 October 4, 2022

ACCESS SERVICE

7. Special Access Service (Cont'd)

7.5 Rates and Charges (Cont'd)

7.5.3 Program Audio Service ^[1] (Cont'd)

(A) Non-Competitive End User Channel Termination (Cont'd)

- Per Point of Termination

(3) 200 - 3500 HZ Channels

	<u>Monthly Rates</u>	<u>Daily Rates</u>	
Florida	\$81.20	\$2.71	(D)
			(D)
Minnesota	\$61.90	\$2.06	(D)
Nebraska	\$61.90	\$2.06	(D)
			(D)
Oregon	\$55.40	\$1.85	(D)
			(D)
Washington	\$55.40	\$1.85	
Wyoming	\$61.90	\$2.06	

^[1] Effective February 1, 2020, Program Audio Service is grandfathered. Availability to current customers who are not under contract is limited to circuits already in place at existing locations. Customers under existing contracts will be allowed to place new orders and moves only to the extent permitted by their contracts. Existing contracts will not be renewed. When contracts expire, customers may retain their service on a month-to-month basis and will be limited to in-service circuits at existing locations.

Material deleted from this page now appears in Brightspeed Local Operating Companies Tariff F.C.C. NO. 9. (N)
 (N)

ISSUE DATE:
 September 19, 2022

Issued Under Transmittal No. 125
 Vice President-Regulatory Operations
 100 CenturyLink Drive
 Monroe, Louisiana 71203

EFFECTIVE DATE:
 October 4, 2022

ACCESS SERVICE

7. Special Access Service (Cont'd)

7.5 Rates and Charges (Cont'd)

7.5.3 Program Audio Service ^[1] (Cont'd)

(A) Non-Competitive End User Channel Termination (Cont'd)

- Per Point of Termination

(4) 100 - 5000 HZ Channels

	<u>Monthly Rates</u>	<u>Daily Rates</u>	
Florida	\$96.80	\$3.23	(D) (D)
Minnesota	\$65.00	\$2.17	
Nebraska	\$65.00	\$2.17	(D) (D) (D)
Oregon	\$61.40	\$2.05	(D) (D) (D)
Washington	\$61.40	\$2.05	
Wyoming	\$65.00	\$2.17	

^[1] Effective February 1, 2020, Program Audio Service is grandfathered. Availability to current customers who are not under contract is limited to circuits already in place at existing locations. Customers under existing contracts will be allowed to place new orders and moves only to the extent permitted by their contracts. Existing contracts will not be renewed. When contracts expire, customers may retain their service on a month-to-month basis and will be limited to in-service circuits at existing locations.

Material deleted from this page now appears in Brightspeed Local Operating Companies Tariff F.C.C. NO. 9. (N)
(N)

ISSUE DATE:
September 19, 2022

Issued Under Transmittal No. 125
 Vice President-Regulatory Operations
 100 CenturyLink Drive
 Monroe, Louisiana 71203

EFFECTIVE DATE:
October 4, 2022

ACCESS SERVICE

7. Special Access Service (Cont'd)

7.5 Rates and Charges (Cont'd)

7.5.3 Program Audio Service ^[1] (Cont'd)

(A) Non-Competitive End User Channel Termination (Cont'd)

- Per Point of Termination

(5) 50 - 8000 HZ Channels

	<u>Monthly Rates</u>	<u>Daily Rates</u>	
Florida	\$102.00	\$3.40	(D) (D)
Minnesota	\$66.20	\$2.21	
Nebraska	\$66.20	\$2.21	(D) (D) (D)
Oregon	\$73.40	\$2.45	(D) (D)
Washington	\$73.40	\$2.45	
Wyoming	\$66.20	\$2.21	

^[1] Effective February 1, 2020, Program Audio Service is grandfathered. Availability to current customers who are not under contract is limited to circuits already in place at existing locations. Customers under existing contracts will be allowed to place new orders and moves only to the extent permitted by their contracts. Existing contracts will not be renewed. When contracts expire, customers may retain their service on a month-to-month basis and will be limited to in-service circuits at existing locations.

Material deleted from this page now appears in Brightspeed Local Operating Companies Tariff F.C.C. NO. 9. (N)
(N)

ISSUE DATE:
September 19, 2022

Issued Under Transmittal No. 125
 Vice President-Regulatory Operations
 100 CenturyLink Drive
 Monroe, Louisiana 71203

EFFECTIVE DATE:
October 4, 2022

ACCESS SERVICE

7. Special Access Service (Cont'd)

7.5 Rates and Charges (Cont'd)

7.5.3 Program Audio Service ^[1] (Cont'd)

(A) Non-Competitive End User Channel Termination (Cont'd)

- Per Point of Termination

(6) 50 - 15000 HZ Channels

	<u>Monthly Rates</u>	<u>Daily Rates</u>	
Florida	\$112.40	\$3.75	(D)
			(D)
Minnesota	\$67.20	\$2.24	(D)
Nebraska	\$67.20	\$2.24	(D)
			(D)
Oregon	\$75.70	\$2.52	(D)
			(D)
Washington	\$75.70	\$2.52	
Wyoming	\$67.20	\$2.24	

^[1] Effective February 1, 2020, Program Audio Service is grandfathered. Availability to current customers who are not under contract is limited to circuits already in place at existing locations. Customers under existing contracts will be allowed to place new orders and moves only to the extent permitted by their contracts. Existing contracts will not be renewed. When contracts expire, customers may retain their service on a month-to-month basis and will be limited to in-service circuits at existing locations.

Material deleted from this page now appears in Brightspeed Local Operating Companies Tariff F.C.C. NO. 9. (N)
 (N)

ISSUE DATE:
 September 19, 2022

Issued Under Transmittal No. 125
 Vice President-Regulatory Operations
 100 CenturyLink Drive
 Monroe, Louisiana 71203

EFFECTIVE DATE:
 October 4, 2022

ACCESS SERVICE

7. Special Access Service (Cont'd)

7.5 Rates and Charges (Cont'd)

7.5.3 Program Audio Service ^[1] (Cont'd)

(C)

(B) Reserved for Future Use

^[1] **Effective February 1, 2020, Program Audio Service is grandfathered. Availability to current customers who are not under contract is limited to circuits already in place at existing locations. Customers under existing contracts will be allowed to place new orders and moves only to the extent permitted by their contracts. Existing contracts will not be renewed. When contracts expire, customers may retain their service on a month-to-month basis and will be limited to in-service circuits at existing locations.**

(N)
|
(N)

ISSUE DATE:
January 17, 2020

Issued Under Transmittal No. 110
Vice President-Public Policy & Compliance
100 CenturyLink Drive
Monroe, Louisiana 71203

EFFECTIVE DATE:
February 1, 2020

ACCESS SERVICE

7. Special Access Service (Cont'd)

7.5 Rates and Charges (Cont'd)

7.5.3 Program Audio Service ^[1] (Cont'd)

(C) Optional Features and Functions

(1) Bridging – Distribution Amplifier

- Per Port

	Monthly Rates	Daily Rates	Nonrecurring Charges	
			Monthly	Daily
Florida	GAR	GAR	\$29.20	\$29.00
Minnesota	\$8.00	\$0.27	\$50.00	\$50.00
Nebraska	\$8.00	\$0.27	\$50.00	\$50.00
Oregon	\$14.00	\$0.47	\$34.00	\$34.00
Washington	\$14.00	\$0.47	\$34.00	\$34.00
Wyoming	\$8.00	\$0.27	\$50.00	\$50.00

(D)
 (D)
 (D)
 (D)
 (D)
 (D)
 (D)
 (D)

^[1] Effective February 1, 2020, Program Audio Service is grandfathered. Availability to current customers who are not under contract is limited to circuits already in place at existing locations. Customers under existing contracts will be allowed to place new orders and moves only to the extent permitted by their contracts. Existing contracts will not be renewed. When contracts expire, customers may retain their service on a month-to-month basis and will be limited to in-service circuits at existing locations.

Material deleted from this page now appears in Brightspeed Local Operating Companies Tariff F.C.C. NO. 9.

(N)
 (N)

ISSUE DATE:
 September 19, 2022

Issued Under Transmittal No. 125
 Vice President-Regulatory Operations
 100 CenturyLink Drive
 Monroe, Louisiana 71203

EFFECTIVE DATE:
 October 4, 2022

ACCESS SERVICE

7. Special Access Service (Cont'd)

7.5 Rates and Charges (Cont'd)

7.5.3 Program Audio Service ^[1] (Cont'd)

(C) Optional Features and Functions (Cont'd)

(1) Gain Conditioning, Stereo

- Per Service

	Monthly Rates	Daily Rates	Nonrecurring Charges	
			Monthly	Daily
Florida	\$11.80	\$0.39	\$61.60	\$61.60
Minnesota	\$7.50	\$0.25	\$72.80	\$72.80
Nebraska	\$7.50	\$0.25	\$72.80	\$72.80
Oregon	\$12.50	\$0.42	\$92.60	\$92.60
Washington	\$12.50	\$0.42	\$92.60	\$92.60
Wyoming	\$7.50	\$0.25	\$72.80	\$72.80

(D)
 (D)
 (D)
 (D)
 (D)
 (D)
 (D)
 (D)

^[1] Effective February 1, 2020, Program Audio Service is grandfathered. Availability to current customers who are not under contract is limited to circuits already in place at existing locations. Customers under existing contracts will be allowed to place new orders and moves only to the extent permitted by their contracts. Existing contracts will not be renewed. When contracts expire, customers may retain their service on a month-to-month basis and will be limited to in-service circuits at existing locations.

Material deleted from this page now appears in Brightspeed Local Operating Companies Tariff F.C.C. NO. 9.

(N)
 (N)

ISSUE DATE:
 September 19, 2022

Issued Under Transmittal No. 125
 Vice President-Regulatory Operations
 100 CenturyLink Drive
 Monroe, Louisiana 71203

EFFECTIVE DATE:
 October 4, 2022

ACCESS SERVICE

7. Special Access Service (Cont'd)

7.5 Rates and Charges (Cont'd)

7.5.4 Video Service ^[1]

(A) Non-Competitive End User Channel Termination

(1) Analog Video

- Per Point of Termination

	Monthly Rates	Daily Rates	Nonrecurring Charges	
			Monthly	Daily
Florida	\$365.00	\$150.00	\$200.00	\$200.00
Minnesota	GAR	GAR	GAR	GAR
Nebraska	GAR	GAR	GAR	GAR
Oregon	GAR	GAR	GAR	GAR
Washington	GAR	GAR	GAR	GAR
Wyoming	GAR	GAR	GAR	GAR

(D)
 (D)
 (D)
 (D)
 (D)
 (D)
 (D)
 (D)

^[1] Effective February 1, 2020, Program Audio Service is grandfathered. Availability to current customers who are not under contract is limited to circuits already in place at existing locations. Customers under existing contracts will be allowed to place new orders and moves only to the extent permitted by their contracts. Existing contracts will not be renewed. When contracts expire, customers may retain their service on a month-to-month basis and will be limited to in-service circuits at existing locations.

Material deleted from this page now appears in Brightspeed Local Operating Companies Tariff F.C.C. NO. 9.

(N)
 (N)

ACCESS SERVICE

7. Special Access Service (Cont'd)

7.5 Rates and Charges (Cont'd)

7.5.4 Video Service ^[1]

(C)

(B) Reserved for Future Use

^[1] **Effective February 1, 2020, Program Audio Service is grandfathered. Availability to current customers who are not under contract is limited to circuits already in place at existing locations. Customers under existing contracts will be allowed to place new orders and moves only to the extent permitted by their contracts. Existing contracts will not be renewed. When contracts expire, customers may retain their service on a month-to-month basis and will be limited to in-service circuits at existing locations.**

(N)
|
(N)

ISSUE DATE:
January 17, 2020

Issued Under Transmittal No. 110
Vice President-Public Policy & Compliance
100 CenturyLink Drive
Monroe, Louisiana 71203

EFFECTIVE DATE:
February 1, 2020

ACCESS SERVICE

7. Special Access Service (Cont'd)

7.5 Rates and Charges (Cont'd)

7.5.4 Video Service ^[1] (Cont'd)

(C) Per Event Rates

	<u>Analog Rates</u>	<u>Digital Rates</u>	
Florida	GAR	GAR	(D)
			(D)
Minnesota	GAR	GAR	
Nebraska	GAR	GAR	(D)
			(D)
Oregon	GAR	GAR	(D)
			(D)
Washington	GAR	GAR	(D)
Wyoming	GAR	GAR	

7.5.5 Reserved for Future Use

7.5.6 Reserved for Future Use

(D)

^[1] Effective February 1, 2020, Program Audio Service is grandfathered. Availability to current customers who are not under contract is limited to circuits already in place at existing locations. Customers under existing contracts will be allowed to place new orders and moves only to the extent permitted by their contracts. Existing contracts will not be renewed. When contracts expire, customers may retain their service on a month-to-month basis and will be limited to in-service circuits at existing locations.

Material deleted from this page now appears in Brightspeed Local Operating Companies Tariff F.C.C. NO. 9.

(N)
(N)

ISSUE DATE:
September 19, 2022

Issued Under Transmittal No. 125
 Vice President-Regulatory Operations
 100 CenturyLink Drive
 Monroe, Louisiana 71203

EFFECTIVE DATE:
October 4, 2022

ACCESS SERVICE

7. Special Access Service (Cont'd)

7.5 Rates and Charges (Cont'd)

7.5.7 Digital Data Service ^[1]

(A) Non-Competitive End User Channel Termination

- Non-Recurring Charges
 (All Speeds)

	<u>Installation</u>	<u>Rearrangement</u>
Florida	\$286.50	\$143.25
Minnesota	\$351.50	\$175.75
Nebraska	\$351.50	\$175.75
Oregon	\$271.50	\$135.75
Washington	\$270.50	\$135.75
Wyoming	\$351.50	\$175.75

(D)
 (D)
 (D)
 (D)
 (D)
 (D)
 (D)
 (D)

^[1] Effective February 1, 2020, Program Audio Service is grandfathered. Availability to current customers who are not under contract is limited to circuits already in place at existing locations. Customers under existing contracts will be allowed to place new orders and moves only to the extent permitted by their contracts. Existing contracts will not be renewed. When contracts expire, customers may retain their service on a month-to-month basis and will be limited to in-service circuits at existing locations.

Material deleted from this page now appears in Brightspeed Local Operating Companies Tariff F.C.C. NO. 9.

(N)
 (N)

ISSUE DATE:
 September 19, 2022

Issued Under Transmittal No. 125
 Vice President-Regulatory Operations
 100 CenturyLink Drive
 Monroe, Louisiana 71203

EFFECTIVE DATE:
 October 4, 2022

ACCESS SERVICE

7. Special Access Service (Cont'd)

7.5 Rates and Charges (Cont'd)

7.5.7 Digital Data Service ^[1] (Cont'd)

(A) Non-Competitive End User Channel Termination (Cont'd)

- Per Point of Termination

- All Speeds
 (2.4, 4.8, 9.6, 19.2, 38.4, 56.0, 64.0 Kbps)

	<u>Monthly Rates</u>	
Florida	\$150.00	(D)
		(D)
Minnesota	\$121.00	(D)
Nebraska	\$121.00	(D)
		(D)
Oregon	\$125.00	(D)
		(D)
Washington	\$125.00	(D)
Wyoming	\$121.00	(D)

^[1] Effective February 1, 2020, Digital Data Service is grandfathered. Availability to current customers who are not under contract is limited to circuits already in place at existing locations. Customers under existing contracts will be allowed to place new orders and moves only to the extent permitted by their contracts. Existing contracts will not be renewed. When contracts expire, customers may retain their service on a month-to-month basis and will be limited to in-service circuits at existing locations.

Material deleted from this page now appears in Brightspeed Local Operating Companies Tariff F.C.C. NO. 9. (N)
 (N)

ISSUE DATE:
 September 19, 2022

Issued Under Transmittal No. 125
 Vice President-Regulatory Operations
 100 CenturyLink Drive
 Monroe, Louisiana 71203

EFFECTIVE DATE:
 October 4, 2022

ACCESS SERVICE

7. Special Access Service (Cont'd)

7.5 Rates and Charges (Cont'd)

7.5.7 Digital Data Service ^[1] (Cont'd)

(C)

(B) Reserved for Future Use

^[1] **Effective February 1, 2020, Digital Data Service is grandfathered. Availability to current customers who are not under contract is limited to circuits already in place at existing locations. Customers under existing contracts will be allowed to place new orders and moves only to the extent permitted by their contracts. Existing contracts will not be renewed. When contracts expire, customers may retain their service on a month-to-month basis and will be limited to in-service circuits at existing locations.**

(N)
|
(N)

ISSUE DATE:
January 17, 2020

Issued Under Transmittal No. 110
Vice President-Public Policy & Compliance
100 CenturyLink Drive
Monroe, Louisiana 71203

EFFECTIVE DATE:
February 1, 2020

ACCESS SERVICE

7. Special Access Service (Cont'd)7.5 Rates and Charges (Cont'd)7.5.7 Digital Data Service^[1] (Cont'd)(C) Optional Features and Functions(1) Bridging (available withal DA packages)

- Per Port

	<u>Monthly Rates</u>	<u>Nonrecurring Charges</u>	
Florida	\$52.00	\$86.10	(D) (D)
Minnesota	\$13.05	\$76.30	(D)
Nebraska	\$13.05	\$76.30	(D) (D) (D)
Oregon	\$12.30	\$27.25	(D) (D)
Washington	\$12.30	\$27.25	(D)
Wyoming	\$13.05	\$76.30	(D)

^[1] Effective February 1, 2020, Digital Data Service is grandfathered. Availability to current customers who are not under contract is limited to circuits already in place at existing locations. Customers under existing contracts will be allowed to place new orders and moves only to the extent permitted by their contracts. Existing contracts will not be renewed. When contracts expire, customers may retain their service on a month-to-month basis and will be limited to in-service circuits at existing locations.

Material deleted from this page now appears in Brightspeed Local Operating Companies Tariff F.C.C. NO. 9.

(N)
(N)ISSUE DATE:
September 19, 2022

Issued Under Transmittal No. 125
Vice President-Regulatory Operations
100 CenturyLink Drive
Monroe, Louisiana 71203

EFFECTIVE DATE:
October 4, 2022

ACCESS SERVICE

7. Special Access Service (Cont'd)

7.5 Rates and Charges (Cont'd)

7.5.7 Digital Data Service^[1] (Cont'd)

(C) Optional Features and Functions (Cont'd)

(2) Secondary Channel 56.0 Kbps

	<u>Monthly Rates</u>	<u>Nonrecurring Charges</u>	
Florida	\$16.35	\$235.00	(D) (D)
Minnesota	GAR	GAR	
Nebraska	GAR	GAR	(D) (D) (D)
Oregon	\$16.35	\$294.00	(D) (D)
Washington	\$16.35	\$294.00	(D)
Wyoming	GAR	GAR	

^[1] Effective February 1, 2020, Digital Data Service is grandfathered. Availability to current customers who are not under contract is limited to circuits already in place at existing locations. Customers under existing contracts will be allowed to place new orders and moves only to the extent permitted by their contracts. Existing contracts will not be renewed. When contracts expire, customers may retain their service on a month-to-month basis and will be limited to in-service circuits at existing locations.

Material deleted from this page now appears in Brightspeed Local Operating Companies Tariff F.C.C. NO. 9. (N)
(N)

ISSUE DATE:
September 19, 2022

Issued Under Transmittal No. 125
 Vice President-Regulatory Operations
 100 CenturyLink Drive
 Monroe, Louisiana 71203

EFFECTIVE DATE:
October 4, 2022

ACCESS SERVICE

7. Special Access Service (Cont'd)

7.5 Rates and Charges (Cont'd)

7.5.7 Digital Data Service ^[1] (Cont'd)

(C) Optional Features and Functions (Cont'd)

(3) Data Amplification
 (56.0, 64.0 Kbps)

	<u>Monthly Rates</u>	<u>Nonrecurring Charges</u>
Florida	\$93.00	\$109.00
Minnesota	\$93.00	\$109.00
Nebraska	\$93.00	\$109.00
Oregon	\$93.00	\$109.00
Washington	\$93.00	\$109.00
Wyoming	\$93.00	\$109.00

(D)
 (D)
 (D)
 (D)
 (D)
 (D)
 (D)

^[1] Effective February 1, 2020, Digital Data Service is grandfathered. Availability to current customers who are not under contract is limited to circuits already in place at existing locations. Customers under existing contracts will be allowed to place new orders and moves only to the extent permitted by their contracts. Existing contracts will not be renewed. When contracts expire, customers may retain their service on a month-to-month basis and will be limited to in-service circuits at existing locations.

(D)

Material deleted from this page now appears in Brightspeed Local Operating Companies Tariff F.C.C. NO. 9.

(N)
 (N)

ISSUE DATE:
 September 19, 2022

Issued Under Transmittal No. 125
 Vice President-Regulatory Operations
 100 CenturyLink Drive
 Monroe, Louisiana 71203

EFFECTIVE DATE:
 October 4, 2022

ACCESS SERVICE

7. Special Access Service (Cont'd)

7.5 Rates and Charges (Cont'd)

7.5.8 High Capacity Service

(A) Non-Competitive End User Channel Termination

(1) 1.544 Mbps

- Per Point of Termination

	<u>Monthly Rates</u>			<u>Nonrecurring</u>	
	<u>Within</u> <u>CO</u>	<u>0 – 3</u> <u>Miles</u>	<u>Over 3</u> <u>Miles</u>	<u>Installation</u> <u>Charge</u>	<u>Rearrangement</u> <u>Charge</u>
<u>Zone 1</u>					
Florida	\$38.00	\$217.00	\$303.00	\$360.00	\$180.00
Minnesota	\$47.00	\$183.00	\$233.00	\$360.00	\$180.00
Nebraska	\$47.00	\$183.00	\$233.00	\$360.00	\$180.00
Oregon	\$47.00	\$232.00	\$314.00	\$360.00	\$180.00
Washington	\$47.00	\$232.00	\$314.00	\$360.00	\$180.00
Wyoming	\$47.00	\$183.00	\$233.00	\$360.00	\$180.00

(D)
 (D)
 (D)
 (D)
 (D)
 (D)
 (D)

Material deleted from this page now appears in Brightspeed Local Operating Companies Tariff F.C.C. NO. 9.

(N)
 (N)

ISSUE DATE:
 September 19, 2022

Issued Under Transmittal No. 125
 Vice President-Regulatory Operations
 100 CenturyLink Drive
 Monroe, Louisiana 71203

EFFECTIVE DATE:
 October 4, 2022

(D)

ACCESS SERVICE

7. Special Access Service (Cont'd)7.5 Rates and Charges (Cont'd)7.5.8 High Capacity Service (Cont'd)(A) Non-Competitive End User Channel Termination (Cont'd)(1) 1.544 Mbps (Cont'd)

- Per Point of Termination

	Within <u>CO</u>	<u>Monthly Rates</u>		<u>Nonrecurring</u>	
		0 – 3 <u>Miles</u>	Over 3 <u>Miles</u>	<u>Installation</u> <u>Charge</u>	<u>Rearrangement</u> <u>Charge</u>
<u>Zone 2</u>					
Florida	\$43.00	\$258.00	\$341.00	\$360.00	\$180.00
Minnesota	\$55.00	\$198.00	\$250.00	\$360.00	\$180.00
Nebraska	\$55.00	\$198.00	\$250.00	\$360.00	\$180.00
Oregon	\$58.05 (I)	\$279.00 (I)	\$369.00 (I)	\$360.00	\$180.00
Washington	\$58.05 (I)	\$279.00 (I)	\$369.00 (I)	\$360.00	\$180.00
Wyoming	\$55.00	\$198.00	\$250.00	\$360.00	\$180.00

ISSUE DATE:
September 15, 2023Issued Under Transmittal No. 129
Vice President-Regulatory Operations
100 CenturyLink Drive
Monroe, Louisiana 71203EFFECTIVE DATE:
October 1, 2023

ACCESS SERVICE

7. Special Access Service (Cont'd)7.5 Rates and Charges (Cont'd)7.5.8 High Capacity Service (Cont'd)(A) Non-Competitive End User Channel Termination (Cont'd)(1) 1.544 Mbps (Cont'd)

- Per Point of Termination

	<u>Monthly Rates</u>			<u>Nonrecurring</u>	
	<u>Within</u> <u>CO</u>	<u>0 – 3</u> <u>Miles</u>	<u>Over 3</u> <u>Miles</u>	<u>Installation</u> <u>Charge</u>	<u>Rearrangment</u> <u>Charge</u>
<u>Zone 3</u>					
Florida	\$59.00 (I)	\$349.00 (I)	\$449.00 (I)	\$360.00	\$180.00
Minnesota	\$61.00	\$203.00	\$263.00	\$360.00	\$180.00
Nebraska	\$61.00	\$203.00	\$263.00	\$360.00	\$180.00
Oregon	N/A	N/A	N/A	N/A	N/A
Washington	N/A	N/A	N/A	N/A	N/A
Wyoming	\$61.00	\$203.00	\$263.00	\$360.00	\$180.00

ISSUE DATE:
September 15, 2023Issued Under Transmittal No. 129
Vice President-Regulatory Operations
100 CenturyLink Drive
Monroe, Louisiana 71203EFFECTIVE DATE:
October 1, 2023

ACCESS SERVICE

7. Special Access Service (Cont'd)

7.5 Rates and Charges (Cont'd)

7.5.8 High Capacity Service (Cont'd)

(A) Non-Competitive End User Channel Termination (Cont'd)

(1) 1.544 Mbps (Cont'd)

- Per Point of Termination

	<u>Monthly Rates</u>			<u>Nonrecurring</u>	
	<u>Within</u> <u>CO</u>	<u>0 – 3</u> <u>Miles</u>	<u>Over 3</u> <u>Miles</u>	<u>Installation</u> <u>Charge</u>	<u>Rearrangement</u> <u>Charge</u>
<u>Zone 4</u>					
Minnesota	\$69.00 (I)	\$260.00 (I)	\$329.00 (I)	\$360.00	\$180.00
Nebraska	\$69.00 (I)	\$260.00 (I)	\$329.00 (I)	\$360.00	\$180.00
Wyoming	\$69.00 (I)	\$260.00 (I)	\$329.00 (I)	\$360.00	\$180.00

ISSUE DATE:
 September 15, 2023

Issued Under Transmittal No. 129
 Vice President-Regulatory Operations
 100 CenturyLink Drive
 Monroe, Louisiana 71203

EFFECTIVE DATE:
 October 1, 2023

ACCESS SERVICE

7. Special Access Service (Cont'd)

7.5 Rates and Charges (Cont'd)

7.5.8 High Capacity Service (Cont'd)

(A) Non-Competitive End User Channel Termination (Cont'd)

(2) 44.736 Mbps

- Per Point of Termination

	Monthly Rates			Nonrecurring		
	Within CO	0 – 3 Miles	Over 3 Miles	Installation Charge	Rearrangement Charge	
<u>Zone 1</u>						
Florida	\$134.00	\$1,272.00	\$1,730.00	\$500.00	\$250.00	(D) (D)
Minnesota	\$156.00	\$2,183.00	\$2,855.00	\$500.00	\$250.00	(D)
Nebraska	\$156.00	\$2,183.00	\$2,855.00	\$500.00	\$250.00	(D) (D)
Oregon	\$156.00	\$1,768.00	\$2,161.00	\$500.00	\$250.00	(D) (D)
Washington	\$156.00	\$1,768.00	\$2,161.00	\$500.00	\$250.00	
Wyoming	\$156.00	\$2,183.00	\$2,855.00	\$500.00	\$250.00	

Material deleted from this page now appears in Brightspeed Local Operating Companies Tariff F.C.C. NO. 9.

(D)
(N)
(N)

ISSUE DATE:
September 19, 2022

Issued Under Transmittal No. 125
 Vice President-Regulatory Operations
 100 CenturyLink Drive
 Monroe, Louisiana 71203

EFFECTIVE DATE:
October 4, 2022

ACCESS SERVICE

7. Special Access Service (Cont'd)

7.5 Rates and Charges (Cont'd)

7.5.8 High Capacity Service (Cont'd)

(A) Non-Competitive End User Channel Termination (Cont'd)

(2) 44.736 Mbps (Cont'd)

- Per Point of Termination

	Monthly Rates			Nonrecurring	
	Within CO	0 – 3 Miles	Over 3 Miles	Installation Charge	Rearrangement Charge
<u>Zone 2</u>					
Florida	\$138.00	\$1,415.00	\$2,036.00	\$500.00	\$250.00
Minnesota	\$161.00	\$2,405.00	\$3,206.00	\$500.00	\$250.00
Nebraska	\$161.00	\$2,405.00	\$3,206.00	\$500.00	\$250.00
Oregon	\$161.00	\$1,876.00	\$2,292.00	\$500.00	\$250.00
Washington	\$161.00	\$1,876.00	\$2,292.00	\$500.00	\$250.00
Wyoming	\$161.00	\$2,405.00	\$3,206.00	\$500.00	\$250.00

(D)
(D)

(D)

(D)

(D)

(D)

(D)

Material deleted from this page now appears in Brightspeed Local Operating Companies Tariff F.C.C. NO. 9.

(N)
(N)

ISSUE DATE:
September 19, 2022

Issued Under Transmittal No. 125
 Vice President-Regulatory Operations
 100 CenturyLink Drive
 Monroe, Louisiana 71203

EFFECTIVE DATE:
October 4, 2022

ACCESS SERVICE

7. Special Access Service (Cont'd)7.5 Rates and Charges (Cont'd)7.5.8 High Capacity Service (Cont'd)(A) Non-Competitive End User Channel Termination (Cont'd)(2) 44.736 Mbps (Cont'd)

- Per Point of Termination

	<u>Monthly Rates</u>			<u>Nonrecurring</u>	
	<u>Within</u> <u>CO</u>	<u>0 – 3</u> <u>Miles</u>	<u>Over 3</u> <u>Miles</u>	<u>Installation</u> <u>Charge</u>	<u>Rearrangement</u> <u>Charge</u>
<u>Zone 3</u>					
Florida	\$144.00	\$1,629.00 (I)	\$2,407.00(I)	\$500.00	\$250.00
Minnesota	\$165.00	\$2,449.00	\$3,295.00	\$500.00	\$250.00
Nebraska	\$165.00	\$2,449.00	\$3,295.00	\$500.00	\$250.00
Oregon	NA	N/A	NA	N/A	N/A
Washington	NA	NA	NA	N/A	N/A
Wyoming	\$165.00	\$2,449.00	\$3,295.00	\$500.00	\$250.00

ISSUE DATE:
September 15, 2023Issued Under Transmittal No. 129
Vice President-Regulatory Operations
100 CenturyLink Drive
Monroe, Louisiana 71203EFFECTIVE DATE:
October 1, 2023

ACCESS SERVICE

7. Special Access Service (Cont'd)

7.5 Rates and Charges (Cont'd)

7.5.8 High Capacity Service (Cont'd)

(A) Non-Competitive End User Channel Termination (Cont'd)

(2) 44.736 Mbps (Cont'd)

- Per Point of Termination

	Monthly Rates			Nonrecurring	
	Within CO	0 – 3 Miles	Over 3 Miles	Installation Charge	Rearrangement Charge
<u>Zone 4</u>					
Minnesota	\$169.00	\$2,743.00 (I)	\$3,384.00	\$500.00	\$250.00
Nebraska	\$169.00	\$2,743.00 (I)	\$3,384.00	\$500.00	\$250.00
Wyoming	\$169.00	\$2,743.00 (I)	\$3,384.00	\$500.00	\$250.00

ISSUE DATE:
 September 15, 2023

Issued Under Transmittal No. 129
 Vice President-Regulatory Operations
 100 CenturyLink Drive
 Monroe, Louisiana 71203

EFFECTIVE DATE:
 October 1, 2023

ACCESS SERVICE

7. Special Access Service (Cont'd)

7.5 Rates and Charges (Cont'd)

7.5.8 High Capacity Service (Cont'd)

(A) Non-Competitive End User Channel Termination (Cont'd)

(3) Fractional DS1 ^[1]

- Per Point of Termination

- Nonrecurring Charges
 (128.0, 256.0, 384.0 Kbps)

	<u>Nonrecurring Charges</u>	
Florida	\$349.00	(D) (D)
Minnesota	\$349.00	(D)
Nebraska	\$349.00	(D) (D)
Oregon	\$436.00	(D) (D)
Washington	\$436.00	(D)
Wyoming	\$349.00	(D)

^[1] Effective February 1, 2020, Fractional DS1 Service is grandfathered. Availability to current customers who are not under contract is limited to circuits already in place at existing locations. Customers under existing contracts will be allowed to place new orders and moves only to the extent permitted by their contracts. Existing contracts will not be renewed. When contracts expire, customers may retain their service on a month-to-month basis and will be limited to in-service circuits at existing locations.

Material deleted from this page now appears in Brightspeed Local Operating Companies Tariff F.C.C. NO. 9. (N)
(N)

ISSUE DATE:
 September 19, 2022

Issued Under Transmittal No. 125
 Vice President-Regulatory Operations
 100 CenturyLink Drive
 Monroe, Louisiana 71203

EFFECTIVE DATE:
 October 4, 2022

ACCESS SERVICE

7. Special Access Service (Cont'd)

7.5 Rates and Charges (Cont'd)

7.5.8 High Capacity Service (Cont'd)

(A) Non-Competitive End User Channel Termination (Cont'd)

(4) 128.0 Kbps Fractional DS1 ^[1]

- Per Point of Termination

	<u>Monthly Rates</u>	
Florida	\$183.00	(D)
		(D)
Minnesota	\$172.00	(D)
Nebraska	\$172.00	(D)
		(D)
Oregon	\$142.00	(D)
		(D)
Washington	\$142.00	
Wyoming	\$172.00	

^[1] Effective February 1, 2020, Fractional DS1 Service is grandfathered. Availability to current customers who are not under contract is limited to circuits already in place at existing locations. Customers under existing contracts will be allowed to place new orders and moves only to the extent permitted by their contracts. Existing contracts will not be renewed. When contracts expire, customers may retain their service on a month-to-month basis and will be limited to in-service circuits at existing locations.

Material deleted from this page now appears in Brightspeed Local Operating Companies Tariff F.C.C. NO. 9. (N)
 (N)

ACCESS SERVICE

7. Special Access Service (Cont'd)

7.5 Rates and Charges (Cont'd)

7.5.8 High Capacity Service (Cont'd)

(A) Non-Competitive End User Channel Termination (Cont'd)

(5) 256.0 Kbps Fractional DS1 ^[1]

- Per Point of Termination

	<u>Monthly Rates</u>	
Florida	\$190.00	(D)
		(D)
Minnesota	\$178.00	(D)
Nebraska	\$178.00	(D)
		(D)
Oregon	\$166.00	(D)
		(D)
Washington	\$166.00	
Wyoming	\$178.00	

^[1] Effective February 1, 2020, Fractional DS1 Service is grandfathered. Availability to current customers who are not under contract is limited to circuits already in place at existing locations. Customers under existing contracts will be allowed to place new orders and moves only to the extent permitted by their contracts. Existing contracts will not be renewed. When contracts expire, customers may retain their service on a month-to-month basis and will be limited to in-service circuits at existing locations.

Material deleted from this page now appears in Brightspeed Local Operating Companies Tariff F.C.C. NO. 9.

ISSUE DATE:
 September 19, 2022

Issued Under Transmittal No. 125
 Vice President-Regulatory Operations
 100 CenturyLink Drive
 Monroe, Louisiana 71203

EFFECTIVE DATE:
 October 4, 2022

(D)

(N)
 (N)

ACCESS SERVICE

7. Special Access Service (Cont'd)

7.5 Rates and Charges (Cont'd)

7.5.8 High Capacity Service (Cont'd)

(A) Non-Competitive End User Channel Termination (Cont'd)

(6) 384.0 Kbps (Fractional DS1) ^[1]

- Per Point of Termination

	<u>Monthly Rates</u>	
Florida	\$195.00	(D)
		(D)
Minnesota	\$183.00	(D)
Nebraska	\$183.00	(D)
		(D)
Oregon	\$213.00	(D)
		(D)
Washington	\$213.00	
Wyoming	\$183.00	

(D)

^[1] Effective February 1, 2020, Fractional DS1 Service is grandfathered. Availability to current customers who are not under contract is limited to circuits already in place at existing locations. Customers under existing contracts will be allowed to place new orders and moves only to the extent permitted by their contracts. Existing contracts will not be renewed. When contracts expire, customers may retain their service on a month-to-month basis and will be limited to in-service circuits at existing locations.

Material deleted from this page now appears in Brightspeed Local Operating Companies Tariff F.C.C. NO. 9. (N)
 (N)

ISSUE DATE:
 September 19, 2022

Issued Under Transmittal No. 125
 Vice President-Regulatory Operations
 100 CenturyLink Drive
 Monroe, Louisiana 71203

EFFECTIVE DATE:
 October 4, 2022

ACCESS SERVICE

7. Special Access Service (Cont'd)

7.5 Rates and Charges (Cont'd)

7.5.8 High Capacity Service (Cont'd)

(B) Reserved for Future Use

(C)

(D)

(D)

ISSUE DATE:
October 17, 2017

Issued Under Transmittal No. 96
Vice President-Regulatory Operations
100 CenturyLink Drive
Monroe, Louisiana 71203

EFFECTIVE DATE:
November 1, 2017

ACCESS SERVICE

7. Special Access Service (Cont'd)

7.5 Rates and Charges (Cont'd)

7.5.8 High Capacity Service (Cont'd)

(B) Reserved for Future Use (Cont'd)

(C)

(D)

(D)

ISSUE DATE:
October 17, 2017

Issued Under Transmittal No. 96
Vice President-Regulatory Operations
100 CenturyLink Drive
Monroe, Louisiana 71203

EFFECTIVE DATE:
November 1, 2017

ACCESS SERVICE

7. Special Access Service (Cont'd)

7.5 Rates and Charges (Cont'd)

7.5.8 High Capacity Service (Cont'd)

(B) Reserved for Future Use (Cont'd)

(C)

(D)

(D)

ISSUE DATE:
October 17, 2017

Issued Under Transmittal No. 96
Vice President-Regulatory Operations
100 CenturyLink Drive
Monroe, Louisiana 71203

EFFECTIVE DATE:
November 1, 2017

ACCESS SERVICE

7. Special Access Service (Cont'd)

7.5 Rates and Charges (Cont'd)

7.5.8 High Capacity Service (Cont'd)

(B) Reserved for Future Use (Cont'd)

(C)

(D)

(D)

ISSUE DATE:
October 17, 2017

Issued Under Transmittal No. 96
Vice President-Regulatory Operations
100 CenturyLink Drive
Monroe, Louisiana 71203

EFFECTIVE DATE:
November 1, 2017

ACCESS SERVICE

7. Special Access Service (Cont'd)

7.5 Rates and Charges (Cont'd)

7.5.8 High Capacity Service (Cont'd)

(B) Reserved for Future Use (Cont'd)

(C)

(D)

(D)

ISSUE DATE:
October 17, 2017

Issued Under Transmittal No. 96
Vice President-Regulatory Operations
100 CenturyLink Drive
Monroe, Louisiana 71203

EFFECTIVE DATE:
November 1, 2017

ACCESS SERVICE

7. Special Access Service (Cont'd)

7.5 Rates and Charges (Cont'd)

7.5.8 High Capacity Service (Cont'd)

(B) Reserved for Future Use (Cont'd)

(C)

(D)

(D)

ISSUE DATE:
October 17, 2017

Issued Under Transmittal No. 96
Vice President-Regulatory Operations
100 CenturyLink Drive
Monroe, Louisiana 71203

EFFECTIVE DATE:
November 1, 2017

ACCESS SERVICE

7. Special Access Service (Cont'd)

7.5 Rates and Charges (Cont'd)

7.5.8 High Capacity Service (Cont'd)

(B) Reserved for Future Use (Cont'd)

(C)

(D)

(D)

ISSUE DATE:
October 17, 2017

Issued Under Transmittal No. 96
Vice President-Regulatory Operations
100 CenturyLink Drive
Monroe, Louisiana 71203

EFFECTIVE DATE:
November 1, 2017

ACCESS SERVICE

7. Special Access Service (Cont'd)

7.5 Rates and Charges (Cont'd)

7.5.8 High Capacity Service (Cont'd)

(B) Reserved for Future Use (Cont'd)

(C)

(D)

(D)

ISSUE DATE:
October 17, 2017

Issued Under Transmittal No. 96
Vice President-Regulatory Operations
100 CenturyLink Drive
Monroe, Louisiana 71203

EFFECTIVE DATE:
November 1, 2017

ACCESS SERVICE

7. Special Access Service (Cont'd)

7.5 Rates and Charges (Cont'd)

7.5.8 High Capacity Service (Cont'd)

(B) Reserved for Future Use (Cont'd)

(C)

(D)

(D)

ISSUE DATE:
October 17, 2017

Issued Under Transmittal No. 96
Vice President-Regulatory Operations
100 CenturyLink Drive
Monroe, Louisiana 71203

EFFECTIVE DATE:
November 1, 2017

ACCESS SERVICE

7. Special Access Service (Cont'd)

7.5 Rates and Charges (Cont'd)

7.5.8 High Capacity Service (Cont'd)

(B) Reserved for Future Use (Cont'd)

(C)

(D)

(D)

ISSUE DATE:
October 17, 2017

Issued Under Transmittal No. 96
Vice President-Regulatory Operations
100 CenturyLink Drive
Monroe, Louisiana 71203

EFFECTIVE DATE:
November 1, 2017

ACCESS SERVICE

7. Special Access Service (Cont'd)

7.5 Rates and Charges (Cont'd)

7.5.8 High Capacity Service (Cont'd)

(B) Reserved for Future Use (Cont'd)

(C)

(D)

(D)

ISSUE DATE:
October 17, 2017

Issued Under Transmittal No. 96
Vice President-Regulatory Operations
100 CenturyLink Drive
Monroe, Louisiana 71203

EFFECTIVE DATE:
November 1, 2017

ACCESS SERVICE

7. Special Access Service (Cont'd)

7.5 Rates and Charges (Cont'd)

7.5.8 High Capacity Service (Cont'd)

(C) Optional Features and Functions

(1) Reserved for Future Use

(C)

(D)

(D)

ISSUE DATE:
October 17, 2017

Issued Under Transmittal No. 96
Vice President-Regulatory Operations
100 CenturyLink Drive
Monroe, Louisiana 71203

EFFECTIVE DATE:
November 1, 2017

ACCESS SERVICE

7. Special Access Service (Cont'd)

7.5 Rates and Charges (Cont'd)

7.5.8 High Capacity Service (Cont'd)

(C) Optional Features and Functions (Cont'd)

(1) Reserved for Future Use (Cont'd)

(C)

(D)

(D)

ISSUE DATE:
October 17, 2017

Issued Under Transmittal No. 96
Vice President-Regulatory Operations
100 CenturyLink Drive
Monroe, Louisiana 71203

EFFECTIVE DATE:
November 1, 2017

ACCESS SERVICE

7. Special Access Service (Cont'd)

7.5 Rates and Charges (Cont'd)

7.5.8 High Capacity Service (Cont'd)

(C) Optional Features and Functions (Cont'd)

(1) Reserved for Future Use (Cont'd)

(C)

(D)

(D)

ISSUE DATE:
October 17, 2017

Issued Under Transmittal No. 96
Vice President-Regulatory Operations
100 CenturyLink Drive
Monroe, Louisiana 71203

EFFECTIVE DATE:
November 1, 2017

ACCESS SERVICE

7. Special Access Service (Cont'd)

7.5 Rates and Charges (Cont'd)

7.5.8 High Capacity Service (Cont'd)

(C) Optional Features and Functions (Cont'd)

(1) Reserved for Future Use (Cont'd)

(C)

(D)

(D)

ISSUE DATE:
October 17, 2017

Issued Under Transmittal No. 96
Vice President-Regulatory Operations
100 CenturyLink Drive
Monroe, Louisiana 71203

EFFECTIVE DATE:
November 1, 2017

ACCESS SERVICE

7. Special Access Service (Cont'd)

7.5 Rates and Charges (Cont'd)

7.5.8 High Capacity Service (Cont'd)

(C) Optional Features and Functions (Cont'd)

(1) Reserved for Future Use (Cont'd)

(C)

(D)

(D)

ISSUE DATE:
October 17, 2017

Issued Under Transmittal No. 96
Vice President-Regulatory Operations
100 CenturyLink Drive
Monroe, Louisiana 71203

EFFECTIVE DATE:
November 1, 2017

ACCESS SERVICE

7. Special Access Service (Cont'd)

7.5 Rates and Charges (Cont'd)

7.5.8 High Capacity Service (Cont'd)

(C) Optional Features and Functions (Cont'd)

(1) Reserved for Future Use (Cont'd)

(C)

(D)

(D)

ISSUE DATE:
October 17, 2017

Issued Under Transmittal No. 96
Vice President-Regulatory Operations
100 CenturyLink Drive
Monroe, Louisiana 71203

EFFECTIVE DATE:
November 1, 2017

ACCESS SERVICE

7. Special Access Service (Cont'd)

7.5 Rates and Charges (Cont'd)

7.5.8 High Capacity Service (Cont'd)

(C) Optional Features and Functions (Cont'd)

(1) Reserved for Future Use (Cont'd)

(C)

(D)

(D)

ISSUE DATE:
October 17, 2017

Issued Under Transmittal No. 96
Vice President-Regulatory Operations
100 CenturyLink Drive
Monroe, Louisiana 71203

EFFECTIVE DATE:
November 1, 2017

ACCESS SERVICE

7. Special Access Service (Cont'd)

7.5 Rates and Charges (Cont'd)

7.5.8 High Capacity Service (Cont'd)

(C) Optional Features and Functions (Cont'd)

(1) Reserved for Future Use (Cont'd)

(C)

(D)

(D)

ISSUE DATE:
October 17, 2017

Issued Under Transmittal No. 96
Vice President-Regulatory Operations
100 CenturyLink Drive
Monroe, Louisiana 71203

EFFECTIVE DATE:
November 1, 2017

ACCESS SERVICE

7. Special Access Service (Cont'd)

7.5 Rates and Charges (Cont'd)

7.5.8 High Capacity Service (Cont'd)

(C) Optional Features and Functions (Cont'd)

(2) Automatic Loop Transfer

(a) Basic 1xN expandable to 1x6, equipped with 1x1

	Monthly * Rates	
Florida	\$248.00	(D)
		(D)
Minnesota	\$279.00	(D)
Nebraska	\$279.00	(D)
		(D)
Oregon	GAR	(D)
		(D)
		(D)
Washington	GAR	
Wyoming	\$279.00	

* These rates are in addition to those for High Capacity Channels.

(D)

Material deleted from this page now appears in Brightspeed Local Operating Companies Tariff F.C.C. NO. 9.

(N)

(N)

ISSUE DATE:
 September 19, 2022

Issued Under Transmittal No. 125
 Vice President-Regulatory Operations
 100 CenturyLink Drive
 Monroe, Louisiana 71203

EFFECTIVE DATE:
 October 4, 2022

ACCESS SERVICE

7. Special Access Service (Cont'd)

7.5 Rates and Charges (Cont'd)

7.5.8 High Capacity Service (Cont'd)

(C) Optional Features and Functions (Cont'd)

(2) Automatic Loop Transfer

(b) Basic 1xN expandable to 1x6, each additional working line

	Monthly * Rates	
Florida	\$118.00	(D)
		(D)
Minnesota	\$137.00	(D)
Nebraska	\$137.00	(D)
		(D)
Oregon	GAR	(D)
		(D)
Washington	GAR	(D)
Wyoming	\$137.00	(D)

* These rates are in addition to those for High Capacity Channels.

(D)

Material deleted from this page now appears in Brightspeed Local Operating Companies Tariff F.C.C. NO. 9.

(N)

(N)

ISSUE DATE:
 September 19, 2022

Issued Under Transmittal No. 125
 Vice President-Regulatory Operations
 100 CenturyLink Drive
 Monroe, Louisiana 71203

EFFECTIVE DATE:
 October 4, 2022

ACCESS SERVICE

7. Special Access Service (Cont'd)

7.5 Rates and Charges (Cont'd)

7.5.8 High Capacity Service (Cont'd)

(C) Optional Features and Functions (Cont'd)

(3) Clear Channel Capability (CCC)

- Per Point of Termination

	<u>Monthly Rates</u>	<u>Nonrecurring * Charges</u>	
Florida	NONE	\$256.00	(D)
			(D)
Minnesota	NONE	\$320.00	(D)
Nebraska	NONE	\$320.00	(D)
			(D)
Oregon	NONE	\$300.00	(D)
			(D)
Washington	NONE	\$300.00	(D)
Wyoming	NONE	\$320.00	(D)

* A nonrecurring charge will apply when CCC is ordered for a DS1 circuit already in service.

(D)

Material deleted from this page now appears in Brightspeed Local Operating Companies Tariff F.C.C. NO. 9.

(N)
(N)

ISSUE DATE:
 September 19, 2022

Issued Under Transmittal No. 125
 Vice President-Regulatory Operations
 100 CenturyLink Drive
 Monroe, Louisiana 71203

EFFECTIVE DATE:
 October 4, 2022

ACCESS SERVICE

7. Special Access Service (Cont'd)

7.5 Rates and Charges (Cont'd)

7.5.8 High Capacity Service (Cont'd)

(C) Optional Features and Functions (Cont'd)

(4) Digital Cross Connect Service (Cont'd)

(b) Connection Charge
 (Per DS1 Connection)

	<u>Monthly Rates</u>	<u>Nonrecurring Charges</u>	
Florida	\$67.00	\$53.00	(D)
			(D)
Minnesota	\$69.00	\$70.00	(D)
Nebraska	\$69.00	\$70.00	(D)
			(D)
Oregon	\$65.00	\$53.00	(D)
			(D)
Washington	\$65.00	\$53.00	
Wyoming *	N/A	N/A	

* Equipment is not available in United's South Carolina, Virginia or Wyoming jurisdictions to provide Digital Cross-Connect Service.

Material deleted from this page now appears in Brightspeed Local Operating Companies Tariff F.C.C. NO. 9.

ISSUE DATE:
 September 19, 2022

Issued Under Transmittal No. 125
 Vice President-Regulatory Operations
 100 CenturyLink Drive
 Monroe, Louisiana 71203

EFFECTIVE DATE:
 October 4, 2022

(D)
 (N)
 (N)

ACCESS SERVICE

7. Special Access Service (Cont'd)

7.5 Rates and Charges (Cont'd)

7.5.8 High Capacity Service (Cont'd)

(C) Optional Features and Functions (Cont'd)

(4) Digital Cross Connect Service (Cont'd)

(c) Connection Charge
 (Per DS3 Connection)

	<u>Monthly Rates</u>	<u>Nonrecurring Charges</u>	
Florida	\$1,100.00	\$159.00	(D)
			(D)
Minnesota	GAR	GAR	(D)
Nebraska	GAR	GAR	(D)
			(D)
Oregon	GAR	GAR	(D)
			(D)
Washington	GAR	GAR	(D)
Wyoming *	N/A	N/A	(D)

* Equipment is not available in United's South Carolina, Virginia or Wyoming jurisdictions to provide Digital Cross-Connect Service.

Material deleted from this page now appears in Brightspeed Local Operating Companies Tariff F.C.C. NO. 9.

ISSUE DATE:
 September 19, 2022

Issued Under Transmittal No. 125
 Vice President-Regulatory Operations
 100 CenturyLink Drive
 Monroe, Louisiana 71203

EFFECTIVE DATE:
 October 4, 2022

(D)
 (N)
 (N)

ACCESS SERVICE

7. Special Access Service (Cont'd)

7.5 Rates and Charges (Cont'd)

7.5.8 High Capacity Service (Cont'd)

(C) Optional Features and Functions (Cont'd)

(4) Digital Cross Connect Service (Cont'd)

(d) Bridging, Per Termination

	<u>Monthly Rates</u>	<u>Nonrecurring Charges</u>	
Florida	\$5.55	\$10.90	(D) (D)
Minnesota	\$5.45	\$10.90	(D)
Nebraska	\$5.45	\$10.90	(D) (D)
Oregon	\$5.45	\$10.90	(D) (D)
Washington	\$5.45	\$10.90	(D)
Wyoming *	N/A	N/A	

* Equipment is not available in United's South Carolina, Virginia or Wyoming jurisdictions to provide Digital Cross-Connect Service.

Material deleted from this page now appears in Brightspeed Local Operating Companies Tariff F.C.C. NO. 9.

ISSUE DATE:
 September 19, 2022

Issued Under Transmittal No. 125
 Vice President-Regulatory Operations
 100 CenturyLink Drive
 Monroe, Louisiana 71203

EFFECTIVE DATE:
 October 4, 2022

(D)

(N)
(N)

ACCESS SERVICE

7. Special Access Service (Cont'd)

7.5 Rates and Charges (Cont'd)

7.5.8 High Capacity Service (Cont'd)

(C) Optional Features and Functions (Cont'd)

(4) Digital Cross Connect Service (Cont'd)

(f) NMS Data Base – Company Controlled

Not Available

(N)
(D)
—
(D)

(D)
(D)

**Material deleted from this page now appears in Brightspeed Local Operating Companies Tariff
F.C.C. NO. 9.**

(N)
(N)

ISSUE DATE:
September 19, 2022

Issued Under Transmittal No. 125
Vice President-Regulatory Operations
100 CenturyLink Drive
Monroe, Louisiana 71203

EFFECTIVE DATE:
October 4, 2022

ACCESS SERVICE

7. Special Access Service (Cont'd)

7.5 Rates and Charges (Cont'd)

7.5.8 High Capacity Service (Cont'd)

(C) Optional Features and Functions (Cont'd)

(4) Digital Cross Connect Service (Cont'd)

(g) Company Performed Reconfiguration
 (per 30-minute increment, per occasion)

	Nonrecurring Charges	
Florida	\$23.20	(D)
		(D)
Minnesota	\$24.00	(D)
Nebraska	\$24.00	(D)
		(D)
Oregon	\$16.00	(D)
		(D)
Washington	\$16.00	(D)
Wyoming *	N/A	(D)

* Equipment is not available in United's South Carolina, Virginia or Wyoming jurisdictions to provide Digital Cross-Connect Service.

Material deleted from this page now appears in Brightspeed Local Operating Companies Tariff F.C.C. NO. 9.

ISSUE DATE:
 September 19, 2022

Issued Under Transmittal No. 125
 Vice President-Regulatory Operations
 100 CenturyLink Drive
 Monroe, Louisiana 71203

EFFECTIVE DATE:
 October 4, 2022

(D)
 (N)
 (N)

ACCESS SERVICE

7. Special Access Service (Cont'd)

7.5 Rates and Charges (Cont'd)

7.5.8 High Capacity Service (Cont'd)

(C) Optional Features and Functions (Cont'd)

(5) Reserved for Future Use

(C)

(D)

(D)

ISSUE DATE:
October 17, 2017

Issued Under Transmittal No. 96
Vice President-Regulatory Operations
100 CenturyLink Drive
Monroe, Louisiana 71203

EFFECTIVE DATE:
November 1, 2017

ACCESS SERVICE

7. Special Access Service (Cont'd)

7.5 Rates and Charges (Cont'd)

7.5.8 High Capacity Service (Cont'd)

(C) Optional Features and Functions (Cont'd)

(5) Reserved for Future Use (Cont'd)

(C)

(D)

(D)

ISSUE DATE:
October 17, 2017

Issued Under Transmittal No. 96
Vice President-Regulatory Operations
100 CenturyLink Drive
Monroe, Louisiana 71203

EFFECTIVE DATE:
November 1, 2017

ACCESS SERVICE

7. Special Access Service (Cont'd)

7.5 Rates and Charges (Cont'd)

7.5.8 High Capacity Service (Cont'd)

(C) Optional Features and Functions (Cont'd)

(5) Reserved for Future Use (Cont'd)

(C)

(D)

(D)

ISSUE DATE:
October 17, 2017

Issued Under Transmittal No. 96
Vice President-Regulatory Operations
100 CenturyLink Drive
Monroe, Louisiana 71203

EFFECTIVE DATE:
November 1, 2017

ACCESS SERVICE

7. Special Access Service (Cont'd)

7.5 Rates and Charges (Cont'd)

7.5.8 High Capacity Service (Cont'd)

(C) Optional Features and Functions (Cont'd)

(6) Reserved for Future Use

(C)

(D)

(D)

ISSUE DATE:
October 17, 2017

Issued Under Transmittal No. 96
Vice President-Regulatory Operations
100 CenturyLink Drive
Monroe, Louisiana 71203

EFFECTIVE DATE:
November 1, 2017

ACCESS SERVICE

7. Special Access Service (Cont'd)

7.5 Rates and Charges (Cont'd)

7.5.8 High Capacity Service (Cont'd)

(C) Optional Features and Functions (Cont'd)

(6) Reserved for Future Use (Cont'd)

(C)

(D)

(D)

ISSUE DATE:
October 17, 2017

Issued Under Transmittal No. 96
Vice President-Regulatory Operations
100 CenturyLink Drive
Monroe, Louisiana 71203

EFFECTIVE DATE:
November 1, 2017

ACCESS SERVICE

7. Special Access Service (Cont'd)

7.5 Rates and Charges (Cont'd)

7.5.8 High Capacity Service (Cont'd)

(C) Optional Features and Functions (Cont'd)

(6) Reserved for Future Use (Cont'd)

(C)

(D)

(D)

ISSUE DATE:
October 17, 2017

Issued Under Transmittal No. 96
Vice President-Regulatory Operations
100 CenturyLink Drive
Monroe, Louisiana 71203

EFFECTIVE DATE:
November 1, 2017

ACCESS SERVICE

7. Special Access Service (Cont'd)

7.5 Rates and Charges (Cont'd)

7.5.9 Special Access Surcharge

- Per Voice Equivalent

	<u>Monthly Rates</u>	
Florida	\$25.00	(D)
		(D)
Minnesota	\$25.00	(D)
Nebraska	\$25.00	(D)
Oregon	\$25.00	(D)
		(D)
		(D)
Washington	\$25.00	
Wyoming	\$25.00	

(D)

Material deleted from this page now appears in Brightspeed Local Operating Companies Tariff F.C.C. NO. 9.

(N)
(N)

ISSUE DATE:
September 19, 2022

Issued Under Transmittal No. 125
 Vice President-Regulatory Operations
 100 CenturyLink Drive
 Monroe, Louisiana 71203

EFFECTIVE DATE:
October 4, 2022

ACCESS SERVICE

7. Special Access Service (Cont'd)

7.5 Rates and Charges (Cont'd)

7.5.10 Special Access Term Discount Plan – GRANDFATHERED

(A) Non-Competitive End User Channel Termination

(1) 1.544 Mbps

(a) Plan C (3 Year)

- Per Point of Termination

	Monthly Rates		
	Within CO	0 – 3 Miles	Over 3 Miles
<u>Zone 1</u>			
Florida	\$28.00	\$142.00	\$204.00
Minnesota	\$42.00	\$142.00	\$192.00
Nebraska	\$42.00	\$142.00	\$192.00
Oregon	\$42.00	\$198.00	\$274.00
Washington	\$42.00	\$198.00	\$274.00
Wyoming	\$42.00	\$142.00	\$192.00

(D)
 (D)
 (D)
 (D)
 (D)
 (D)
 (D)

Effective October 1, 2020, the Special Access Term Discount Plan will be grandfathered until the expiration date of the current term. Term renewals will not be offered on these plans going forward as of this effective date. Upon expiration of the current term, rates will revert to month-to-month.

(D)

Material deleted from this page now appears in Brightspeed Local Operating Companies Tariff F.C.C. NO. 9.

(N)
 (N)

ISSUE DATE:
 September 19, 2022

Issued Under Transmittal No. 125
 Vice President-Regulatory Operations
 100 CenturyLink Drive
 Monroe, Louisiana 71203

EFFECTIVE DATE:
 October 4, 2022

ACCESS SERVICE

7. Special Access Service (Cont'd)

7.5 Rates and Charges (Cont'd)

7.5.10 Special Access Term Discount Plan – GRANDFATHERED (Cont'd)

(A) Non-Competitive End User Channel Termination (Cont'd)

(1) 1.544 Mbps (Cont'd)

(a) Plan C (3 Year) (Cont'd)

- Per Point of Termination

	Monthly Rates		
	Within CO	0 – 3 Miles	Over 3 Miles
<u>Zone 2</u>			
Florida	\$34.00	\$158.00	\$227.00
Minnesota	\$50.00	\$163.00	\$216.00
Nebraska	\$50.00	\$163.00	\$216.00
Oregon	\$50.00	\$219.00	\$297.00
Washington	\$50.00	\$219.00	\$297.00
Wyoming	\$50.00	\$163.00	\$216.00

(D)
 (D)
 (D)
 (D)
 (D)
 (D)
 (D)

Effective October 1, 2020 the Special Access Term Discount Plan will be grandfathered until the expiration date of the current term. Term renewals will not be offered on these plans going forward as of this effective date. Upon expiration of the current term, rates will revert to month-to-month.

(D)

Material deleted from this page now appears in Brightspeed Local Operating Companies Tariff F.C.C. NO. 9.

(N)
 (N)

ISSUE DATE:
 September 19, 2022

Issued Under Transmittal No. 125
 Vice President-Regulatory Operations
 100 CenturyLink Drive
 Monroe, Louisiana 71203

EFFECTIVE DATE:
 October 4, 2022

ACCESS SERVICE

7. Special Access Service (Cont'd)

7.5 Rates and Charges (Cont'd)

7.5.10 Special Access Term Discount Plan – GRANDFATHERED (Cont'd)

(A) Non-Competitive End User Channel Termination (Cont'd)

(1) 1.544 MBps (Cont'd)

(a) Plan C (3 Year) (Cont'd)

- Per Point of Termination

	Monthly Rates		
	Within CO	0 – 3 Miles	Over 3 Miles
<u>Zone 3</u>			
Florida	\$37.00	\$193.00	\$262.00
Minnesota	\$56.00	\$178.00	\$227.00
Nebraska	\$56.00	\$178.00	\$227.00
Oregon	N/A	N/A	N/A
Washington	N/A	N/A	N/A
Wyoming	\$56.00	\$178.00	\$227.00

(D)
(D)
(D)
(D)
(D)
(D)
(D)

Effective October 1, 2020, the Special Access Term Discount Plan will be grandfathered until the expiration date of the current term. Term renewals will not be offered on these plans going forward as of this effective date. Upon expiration of the current term, rates will revert to month-to-month.

(D)

Material deleted from this page now appears in Brightspeed Local Operating Companies Tariff F.C.C. NO. 9.

(N)
(N)

ISSUE DATE:
September 19, 2022

Issued Under Transmittal No. 125
 Vice President-Regulatory Operations
 100 CenturyLink Drive
 Monroe, Louisiana 71203

EFFECTIVE DATE:
October 4, 2022

ACCESS SERVICE

7. Special Access Service (Cont'd)7.5 Rates and Charges (Cont'd)7.5.10 Special Access Term Discount Plan – GRANDFATHERED (Cont'd)(A) Non-Competitive End User Channel Termination (Cont'd)(1) 1.544 Mbps (Cont'd)(a) Plan C (3 Year) (Cont'd)

- Per Point of Termination

	Monthly Rates			
	Within <u>CO</u>	0 – 3 <u>Miles</u>	Over 3 <u>Miles</u>	
<u>Zone 4</u>				(D)
Minnesota	\$61.00	\$188.00	\$239.00	(D)
Nebraska	\$61.00	\$188.00	\$239.00	(D)
Wyoming	\$61.00	\$188.00	\$239.00	(D)

Effective October 1, 2020, the Special Access Term Discount Plan will be grandfathered until the expiration date of the current term. Term renewals will not be offered on these plans going forward as of this effective date. Upon expiration of the current term, rates will revert to month-to-month.

(D)

Material deleted from this page now appears in Brightspeed Local Operating Companies Tariff F.C.C. NO. 9.

(N)

(N)

ISSUE DATE:
September 19, 2022

Issued Under Transmittal No. 125
Vice President-Regulatory Operations
100 CenturyLink Drive
Monroe, Louisiana 71203

EFFECTIVE DATE:
October 4, 2022

ACCESS SERVICE

7. Special Access Service (Cont'd)

7.5 Rates and Charges (Cont'd)

7.5.10 Special Access Term Discount Plan – GRANDFATHERED (Cont'd)

(A) Non-Competitive End User Channel Termination (Cont'd)

(1) 1.544 Mbps (Cont'd)

(b) Plan D (5 Year)

- Per Point of Termination

	Monthly Rates		
	Within CO	0 – 3 Miles	Over 3 Miles
<u>Zone 1</u>			
Florida	\$26.00	\$127.00	\$186.00
Minnesota	\$40.00	\$127.00	\$174.00
Nebraska	\$40.00	\$127.00	\$174.00
Oregon	\$40.00	\$198.00	\$268.00
Washington	\$40.00	\$198.00	\$268.00
Wyoming	\$40.00	\$127.00	\$174.00

(D)
(D)
(D)
(D)
(D)
(D)
(D)

Effective October 1, 2020, the Special Access Term Discount Plan will be grandfathered until the expiration date of the current term. Term renewals will not be offered on these plans going forward as of this effective date. Upon expiration of the current term, rates will revert to month-to-month.

(D)

Material deleted from this page now appears in Brightspeed Local Operating Companies Tariff F.C.C. NO. 9.

(N)
(N)

ISSUE DATE:
September 19, 2022

Issued Under Transmittal No. 125
 Vice President-Regulatory Operations
 100 CenturyLink Drive
 Monroe, Louisiana 71203

EFFECTIVE DATE:
October 4, 2022

ACCESS SERVICE

7. Special Access Service (Cont'd)

7.5 Rates and Charges (Cont'd)

7.5.10 Special Access Term Discount Plan – GRANDFATHERED (Cont'd)

(A) Non-Competitive End User Channel Termination (Cont'd)

(1) 1.544 Mbps (Cont'd)

(b) Plan D (5 Year) (Cont'd)

- Per Point of Termination

	Monthly Rates		
	Within <u>CO</u>	0 – 3 <u>Miles</u>	Over 3 <u>Miles</u>
<u>Zone 2</u>			
Florida	\$31.00	\$148.00	\$210.00
Minnesota	\$47.00	\$142.00	\$192.00
Nebraska	\$47.00	\$142.00	\$192.00
Oregon	\$47.00	\$219.00	\$297.00
Washington	\$47.00	\$219.00	\$297.00
Wyoming	\$47.00	\$142.00	\$192.00

(D)
 (D)
 (D)
 (D)
 (D)
 (D)
 (D)

Effective October 1, 2020, the Special Access Term Discount Plan will be grandfathered until the expiration date of the current term. Term renewals will not be offered on these plans going forward as of this effective date. Upon expiration of the current term, rates will revert to month-to-month.

(D)

Material deleted from this page now appears in Brightspeed Local Operating Companies Tariff F.C.C. NO. 9.

(N)
 (N)

ISSUE DATE:
 September 19, 2022

Issued Under Transmittal No. 125
 Vice President-Regulatory Operations
 100 CenturyLink Drive
 Monroe, Louisiana 71203

EFFECTIVE DATE:
 October 4, 2022

ACCESS SERVICE

7. Special Access Service (Cont'd)7.5 Rates and Charges (Cont'd)7.5.10 Special Access Term Discount Plan – GRANDFATHERED (Cont'd)(A) Non-Competitive End User Channel Termination (Cont'd)(1) 1.544 Mbps (Cont'd)(b) Plan D (5 Year) (Cont'd)

- Per Point of Termination

	Monthly Rates		
	Within CO	0 – 3 Miles	Over 3 Miles
<u>Zone 3</u>			
Florida	\$35.00	\$168.00	\$239.00
Minnesota	\$52.00	\$153.00	\$203.00
Nebraska	\$52.00	\$153.00	\$203.00
Oregon	N/A	N/A	N/A
Washington	N/A	N/A	N/A
Wyoming	\$52.00	\$153.00	\$203.00

(D)
(D)

(D)

(D)

(D)

(D)

(D)

Effective October 1, 2020, the Special Access Term Discount Plan will be grandfathered until the expiration date of the current term. Term renewals will not be offered on these plans going forward as of this effective date. Upon expiration of the current term, rates will revert to month-to-month.

(D)

(N)

(N)

Material deleted from this page now appears in Brightspeed Local Operating Companies Tariff F.C.C. NO. 9.

ISSUE DATE:
September 19, 2022

Issued Under Transmittal No. 125
Vice President-Regulatory Operations
100 CenturyLink Drive
Monroe, Louisiana 71203

EFFECTIVE DATE:
October 4, 2022

ACCESS SERVICE

7. Special Access Service (Cont'd)7.5 Rates and Charges (Cont'd)7.5.10 Special Access Term Discount Plan – GRANDFATHERED (Cont'd)(A) Non-Competitive End User Channel Termination (Cont'd)(1) 1.544 Mbps (Cont'd)(b) Plan D (5 Year) (Cont'd)

- Per Point of Termination

	Monthly Rates			
	Within <u>CO</u>	0 – 3 <u>Miles</u>	Over 3 <u>Miles</u>	
<u>Zone 4</u>				(D)
Minnesota	\$57.00	\$158.00	\$210.00	(D)
Nebraska	\$57.00	\$158.00	\$210.00	(D)
Wyoming	\$57.00	\$158.00	\$210.00	

Effective October 1, 2020, the Special Access Term Discount Plan will be grandfathered until the expiration date of the current term. Term renewals will not be offered on these plans going forward as of this effective date. Upon expiration of the current term, rates will revert to month-to-month.

(D)

Material deleted from this page now appears in Brightspeed Local Operating Companies Tariff F.C.C. NO. 9.

(N)

(N)

ISSUE DATE:
September 19, 2022

Issued Under Transmittal No. 125
Vice President-Regulatory Operations
100 CenturyLink Drive
Monroe, Louisiana 71203

EFFECTIVE DATE:
October 4, 2022

ACCESS SERVICE

7. Special Access Service (Cont'd)7.5 Rates and Charges (Cont'd)7.5.10 Special Access Term Discount Plan – GRANDFATHERED (Cont'd)(A) Non-Competitive End User Channel Termination (Cont'd)(2) 44.736 Mbps (Cont'd)(a) Plan C (3 Year)

- Per Point of Termination

	Monthly Rates		
	Within CO	0 – 3 Miles	Over 3 Miles
<u>Zone 1</u>			
Florida	\$130.00	\$1,257.00	\$1,679.00
Minnesota	\$152.00	\$2,141.00	\$2,687.00
Nebraska	\$152.00	\$2,141.00	\$2,687.00
Oregon	\$152.00	\$1,637.00	\$2,030.00
Washington	\$152.00	\$1,637.00	\$2,030.00
Wyoming	\$152.00	\$2,141.00	\$2,687.00

Effective October 1, 2020, the Special Access Term Discount Plan will be grandfathered until the expiration date of the current term. Term renewals will not be offered on these plans going forward as of this effective date. Upon expiration of the current term, rates will revert to month-to-month.

Material deleted from this page now appears in Brightspeed Local Operating Companies Tariff F.C.C. NO. 9.

ISSUE DATE:
September 19, 2022

Issued Under Transmittal No. 125
Vice President-Regulatory Operations
100 CenturyLink Drive
Monroe, Louisiana 71203

EFFECTIVE DATE:
October 4, 2022

(D)
(D)

(D)

(D)

(D)

(D)

(D)

(N)
(N)

ACCESS SERVICE

7. Special Access Service (Cont'd)7.5 Rates and Charges (Cont'd)7.5.10 Special Access Term Discount Plan – GRANDFATHERED (Cont'd)(A) Non-Competitive End User Channel Termination (Cont'd)(2) 44.736 Mbps (Cont'd)(a) Plan C (3 Year) (Cont'd)

- Per Point of Termination

	Monthly Rates		
	Within CO	0 – 3 Miles	Over 3 Miles
<u>Zone 2</u>			
Florida	\$134.00	\$1,323.00	\$1,934.00
Minnesota	\$156.00	\$2,249.00	\$2,855.00
Nebraska	\$156.00	\$2,249.00	\$2,855.00
Oregon	\$156.00	\$1,737.00	\$2,153.00
Washington	\$156.00	\$1,737.00	\$2,153.00
Wyoming	\$156.00	\$2,249.00	\$2,855.00

(D)
(D)

(D)

(D)

(D)

(D)

(D)

Effective October 1, 2020, the Special Access Term Discount Plan will be grandfathered until the expiration date of the current term. Term renewals will not be offered on these plans going forward as of this effective date. Upon expiration of the current term, rates will revert to month-to-month.

(D)

Material deleted from this page now appears in Brightspeed Local Operating Companies Tariff F.C.C. NO. 9.

(N)

(N)

ISSUE DATE:
September 19, 2022

Issued Under Transmittal No. 125
Vice President-Regulatory Operations
100 CenturyLink Drive
Monroe, Louisiana 71203

EFFECTIVE DATE:
October 4, 2022

ACCESS SERVICE

7. Special Access Service (Cont'd)7.5 Rates and Charges (Cont'd)7.5.10 Special Access Term Discount Plan – GRANDFATHERED (Cont'd)(A) Non-Competitive End User Channel Termination (Cont'd)(2) 44.736 Mbps (Cont'd)(a) Plan C (3 Year) (Cont'd)

- Per Point of Termination

	Monthly Rates			
	Within CO	0 – 3 Miles	Over 3 Miles	
<u>Zone 4</u>				(D)
Minnesota	\$165.00	\$2,336.00	\$3,028.00	(D)
Nebraska	\$165.00	\$2,336.00	\$3,028.00	(D)
Wyoming	\$165.00	\$2,336.00	\$3,028.00	

Effective October 1, 2020, the Special Access Term Discount Plan will be grandfathered until the expiration date of the current term. Term renewals will not be offered on these plans going forward as of this effective date. Upon expiration of the current term, rates will revert to month-to-month.

(D)

Material deleted from this page now appears in Brightspeed Local Operating Companies Tariff F.C.C. NO. 9.

(N)
(N)

ISSUE DATE:
September 19, 2022

Issued Under Transmittal No. 125
Vice President-Regulatory Operations
100 CenturyLink Drive
Monroe, Louisiana 71203

EFFECTIVE DATE:
October 4, 2022

ACCESS SERVICE

7. Special Access Service (Cont'd)

7.5 Rates and Charges (Cont'd)

7.5.10 Special Access Term Discount Plan – GRANDFATHERED (Cont'd)

(A) Non-Competitive End User Channel Termination (Cont'd)

(2) 44.736 Mbps (Cont'd)

(b) Plan D (5 Year)

- Per Point of Termination

	Monthly Rates			
	Within CO	0 – 3 Miles	Over 3 Miles	
<u>Zone 1</u>				
Florida	\$126.00	\$891.00	\$967.00	(D) (D)
Minnesota	\$148.00	\$2,099.00	\$2,561.00	(D)
Nebraska	\$148.00	\$2,099.00	\$2,561.00	(D) (D)
Oregon	\$148.00	\$1,605.00	\$1,965.00	(D) (D)
Washington	\$148.00	\$1,605.00	\$1,965.00	
Wyoming	\$148.00	\$2,099.00	\$2,561.00	

Effective October 1, 2020, the Special Access Term Discount Plan will be grandfathered until the expiration date of the current term. Term renewals will not be offered on these plans going forward as of this effective date. Upon expiration of the current term, rates will revert to month-to-month.

Material deleted from this page now appears in Brightspeed Local Operating Companies Tariff F.C.C. NO. 9.

ISSUE DATE:
September 19, 2022

Issued Under Transmittal No. 125
 Vice President-Regulatory Operations
 100 CenturyLink Drive
 Monroe, Louisiana 71203

EFFECTIVE DATE:
October 4, 2022

(D)

(N)
(N)

ACCESS SERVICE

7. Special Access Service (Cont'd)

7.5 Rates and Charges (Cont'd)

7.5.10 Special Access Term Discount Plan – GRANDFATHERED (Cont'd)

(A) Non-Competitive End User Channel Termination (Cont'd)

(2) 44.736 Mbps (Cont'd)

(b) Plan D (5 Year) (Cont'd)

- Per Point of Termination

	Monthly Rates		
	Within CO	0 – 3 Miles	Over 3 Miles
<u>Zone 2</u>			
Florida	\$130.00	\$967.00	\$1,069.00
Minnesota	\$152.00	\$2,206.00	\$2,768.00
Nebraska	\$152.00	\$2,206.00	\$2,768.00
Oregon	\$152.00	\$1,702.00	\$2,084.00
Washington	\$152.00	\$1,702.00	\$2,084.00
Wyoming	\$152.00	\$2,206.00	\$2,768.00

(D)
(D)
(D)
(D)
(D)
(D)
(D)

Effective October 1, 2020, the Special Access Term Discount Plan will be grandfathered until the expiration date of the current term. Term renewals will not be offered on these plans going forward as of this effective date. Upon expiration of the current term, rates will revert to month-to-month.

(D)

Material deleted from this page now appears in Brightspeed Local Operating Companies Tariff F.C.C. NO. 9.

(N)
(N)

ISSUE DATE:
September 19, 2022

Issued Under Transmittal No. 125
 Vice President-Regulatory Operations
 100 CenturyLink Drive
 Monroe, Louisiana 71203

EFFECTIVE DATE:
October 4, 2022

ACCESS SERVICE

7. Special Access Service (Cont'd)7.5 Rates and Charges (Cont'd)7.5.10 Special Access Term Discount Plan – GRANDFATHERED (Cont'd)(A) Non-Competitive End User Channel Termination (Cont'd)(2) 44.736 Mbps (Cont'd)(b) Plan D (5 Year) (Cont'd)

- Per Point of Termination

	Monthly Rates		
	Within CO	0 – 3 Miles	Over 3 Miles
<u>Zone 3</u>			
Florida	\$134.00	\$1,272.00	\$1,374.00
Minnesota	\$156.00	\$2,232.00	\$2,855.00
Nebraska	\$156.00	\$2,232.00	\$2,855.00
Oregon	N/A	N/A	N/A
Washington	N/A	N/A	N/A
Wyoming	\$156.00	\$2,232.00	\$2,855.00

Effective October 1, 2020, the Special Access Term Discount Plan will be grandfathered until the expiration date of the current term. Term renewals will not be offered on these plans going forward as of this effective date. Upon expiration of the current term, rates will revert to month-to-month.

Material deleted from this page now appears in Brightspeed Local Operating Companies Tariff F.C.C. NO. 9.

ISSUE DATE:
September 19, 2022

Issued Under Transmittal No. 125
Vice President-Regulatory Operations
100 CenturyLink Drive
Monroe, Louisiana 71203

EFFECTIVE DATE:
October 4, 2022

(D)
(D)

(D)

(D)

(D)

(D)

(D)

(D)

(N)

(N)

ACCESS SERVICE

7. Special Access Service (Cont'd)7.5 Rates and Charges (Cont'd)7.5.10 Special Access Term Discount Plan – GRANDFATHERED (Cont'd)(A) Non-Competitive End User Channel Termination (Cont'd)(2) 44.736 Mbps (Cont'd)(b) Plan D (5 Year) (Cont'd)

- Per Point of Termination

	Monthly Rates			
	Within <u>CO</u>	0 – 3 <u>Miles</u>	Over 3 <u>Miles</u>	
<u>Zone 4</u>				(D)
Minnesota	\$161.00	\$2,293.00	\$2,941.00	(D)
Nebraska	\$161.00	\$2,293.00	\$2,941.00	(D)
Wyoming	\$161.00	\$2,293.00	\$2,941.00	

Effective October 1, 2020, the Special Access Term Discount Plan will be grandfathered until the expiration date of the current term. Term renewals will not be offered on these plans going forward as of this effective date. Upon expiration of the current term, rates will revert to month-to-month.

(D)

Material deleted from this page now appears in Brightspeed Local Operating Companies Tariff F.C.C. NO. 9.

(N)

(N)

ISSUE DATE:
September 19, 2022

Issued Under Transmittal No. 125
Vice President-Regulatory Operations
100 CenturyLink Drive
Monroe, Louisiana 71203

EFFECTIVE DATE:
October 4, 2022

ACCESS SERVICE

7. Special Access Service (Cont'd)

7.5 Rates and Charges (Cont'd)

7.5.10 Special Access Term Discount Plan – GRANDFATHERED (Cont'd)

(A) Non-Competitive End User Channel Termination (Cont'd)

(3) Digital Data (56.0, 64.0 Kbps)

(a) Plan C (3 Year)

- Per Point of Termination

	<u>Monthly Rates</u>
Florida	\$115.00
Minnesota	\$102.00
Nebraska	\$102.00
Oregon	\$107.00
Washington	\$107.00
Wyoming	\$102.00

(D)
 (D)
 (D)
 (D)
 (D)
 (D)
 (D)

Effective October 1, 2020, the Special Access Term Discount Plan will be grandfathered until the expiration date of the current term. Term renewals will not be offered on these plans going forward as of this effective date. Upon expiration of the current term, rates will revert to month-to-month.

(D)

Material deleted from this page now appears in Brightspeed Local Operating Companies Tariff F.C.C. NO. 9.

(N)
 (N)

ISSUE DATE:
 September 19, 2022

Issued Under Transmittal No. 125
 Vice President-Regulatory Operations
 100 CenturyLink Drive
 Monroe, Louisiana 71203

EFFECTIVE DATE:
 October 4, 2022

ACCESS SERVICE

7. Special Access Service (Cont'd)

7.5 Rates and Charges (Cont'd)

7.5.10 Special Access Term Discount Plan – GRANDFATHERED (Cont'd)

(A) Non-Competitive End User Channel Termination (Cont'd)

(3) Digital Data (56.0, 64.0 Kbps) (Cont'd)

(b) Plan D (5 Year)

- Per Point of Termination

	<u>Monthly Rates</u>	
Florida	\$98.00	(D)
		(D)
Minnesota	\$78.00	(D)
Nebraska	\$78.00	(D)
		(D)
Oregon	\$102.00	(D)
		(D)
		(D)
Washington	\$102.00	
Wyoming	\$78.00	

Effective October 1, 2020, the Special Access Term Discount Plan will be grandfathered until the expiration date of the current term. Term renewals will not be offered on these plans going forward as of this effective date. Upon expiration of the current term, rates will revert to month-to-month.

(D)

Material deleted from this page now appears in Brightspeed Local Operating Companies Tariff F.C.C. NO. 9.

(N)
(N)

ISSUE DATE:
September 19, 2022

Issued Under Transmittal No. 125
 Vice President-Regulatory Operations
 100 CenturyLink Drive
 Monroe, Louisiana 71203

EFFECTIVE DATE:
October 4, 2022

ACCESS SERVICE

7. Special Access Service (Cont'd)

7.5 Rates and Charges (Cont'd)

7.5.10 Special Access Term Discount Plan (Cont'd)

(B) Reserved for Future Use

(C)

(D)

(D)

ISSUE DATE:
October 17, 2017

Issued Under Transmittal No. 96
Vice President-Regulatory Operations
100 CenturyLink Drive
Monroe, Louisiana 71203

EFFECTIVE DATE:
November 1, 2017

ACCESS SERVICE

7. Special Access Service (Cont'd)

7.5 Rates and Charges (Cont'd)

7.5.10 Special Access Term Discount Plan (Cont'd)

(B) Reserved for Future Use (Cont'd)

(C)

(D)

(D)

ISSUE DATE:
October 17, 2017

Issued Under Transmittal No. 96
Vice President-Regulatory Operations
100 CenturyLink Drive
Monroe, Louisiana 71203

EFFECTIVE DATE:
November 1, 2017

ACCESS SERVICE

7. Special Access Service (Cont'd)

7.5 Rates and Charges (Cont'd)

7.5.10 Special Access Term Discount Plan (Cont'd)

(B) Reserved for Future Use (Cont'd)

(C)

(D)

(D)

ISSUE DATE:
October 17, 2017

Issued Under Transmittal No. 96
Vice President-Regulatory Operations
100 CenturyLink Drive
Monroe, Louisiana 71203

EFFECTIVE DATE:
November 1, 2017

ACCESS SERVICE

7. Special Access Service (Cont'd)

7.5 Rates and Charges (Cont'd)

7.5.10 Special Access Term Discount Plan (Cont'd)

(B) Reserved for Future Use (Cont'd)

(C)

(D)

(D)

ISSUE DATE:
October 17, 2017

Issued Under Transmittal No. 96
Vice President-Regulatory Operations
100 CenturyLink Drive
Monroe, Louisiana 71203

EFFECTIVE DATE:
November 1, 2017

ACCESS SERVICE

7. Special Access Service (Cont'd)

7.5 Rates and Charges (Cont'd)

7.5.10 Special Access Term Discount Plan (Cont'd)

(B) Reserved for Future Use (Cont'd)

(C)

(D)

(D)

ISSUE DATE:
October 17, 2017

Issued Under Transmittal No. 96
Vice President-Regulatory Operations
100 CenturyLink Drive
Monroe, Louisiana 71203

EFFECTIVE DATE:
November 1, 2017

ACCESS SERVICE

7. Special Access Service (Cont'd)

7.5 Rates and Charges (Cont'd)

7.5.10 Special Access Term Discount Plan (Cont'd)

(B) Reserved for Future Use (Cont'd)

(C)

(D)

(D)

ISSUE DATE:
October 17, 2017

Issued Under Transmittal No. 96
Vice President-Regulatory Operations
100 CenturyLink Drive
Monroe, Louisiana 71203

EFFECTIVE DATE:
November 1, 2017

ACCESS SERVICE

7. Special Access Service (Cont'd)

7.5 Rates and Charges (Cont'd)

7.5.10 Special Access Term Discount Plan (Cont'd)

(B) Reserved for Future Use (Cont'd)

(C)

(D)

(D)

ISSUE DATE:
October 17, 2017

Issued Under Transmittal No. 96
Vice President-Regulatory Operations
100 CenturyLink Drive
Monroe, Louisiana 71203

EFFECTIVE DATE:
November 1, 2017

ACCESS SERVICE

7. Special Access Service (Cont'd)

7.5 Rates and Charges (Cont'd)

7.5.10 Special Access Term Discount Plan (Cont'd)

(B) Reserved for Future Use (Cont'd)

(C)

(D)

(D)

ISSUE DATE:
October 17, 2017

Issued Under Transmittal No. 96
Vice President-Regulatory Operations
100 CenturyLink Drive
Monroe, Louisiana 71203

EFFECTIVE DATE:
November 1, 2017

ACCESS SERVICE

7. Special Access Service (Cont'd)

7.5 Rates and Charges (Cont'd)

7.5.10 Special Access Term Discount Plan (Cont'd)

(B) Reserved for Future Use (Cont'd)

(C)

(D)

(D)

ISSUE DATE:
October 17, 2017

Issued Under Transmittal No. 96
Vice President-Regulatory Operations
100 CenturyLink Drive
Monroe, Louisiana 71203

EFFECTIVE DATE:
November 1, 2017

ACCESS SERVICE

7. Special Access Service (Cont'd)

7.5 Rates and Charges (Cont'd)

7.5.10 Special Access Term Discount Plan (Cont'd)

(B) Reserved for Future Use (Cont'd)

(C)

(D)

(D)

ISSUE DATE:
October 17, 2017

Issued Under Transmittal No. 96
Vice President-Regulatory Operations
100 CenturyLink Drive
Monroe, Louisiana 71203

EFFECTIVE DATE:
November 1, 2017

ACCESS SERVICE

7. Special Access Service (Cont'd)

7.5 Rates and Charges (Cont'd)

7.5.10 Special Access Term Discount Plan (Cont'd)

(B) Reserved for Future Use (Cont'd)

(C)

(D)

(D)

ISSUE DATE:
October 17, 2017

Issued Under Transmittal No. 96
Vice President-Regulatory Operations
100 CenturyLink Drive
Monroe, Louisiana 71203

EFFECTIVE DATE:
November 1, 2017

ACCESS SERVICE

7. Special Access Service (Cont'd)

7.5 Rates and Charges (Cont'd)

7.5.10 Special Access Term Discount Plan (Cont'd)

(B) Reserved for Future Use (Cont'd)

(C)

(D)

(D)

ISSUE DATE:
October 17, 2017

Issued Under Transmittal No. 96
Vice President-Regulatory Operations
100 CenturyLink Drive
Monroe, Louisiana 71203

EFFECTIVE DATE:
November 1, 2017

ACCESS SERVICE

7. Special Access Service (Cont'd)

7.5 Rates and Charges (Cont'd)

7.5.10 Special Access Term Discount Plan (Cont'd)

(B) Reserved for Future Use (Cont'd)

(C)

(D)

(D)

ISSUE DATE:
October 17, 2017

Issued Under Transmittal No. 96
Vice President-Regulatory Operations
100 CenturyLink Drive
Monroe, Louisiana 71203

EFFECTIVE DATE:
November 1, 2017

ACCESS SERVICE

7. Special Access Service (Cont'd)

7.5 Rates and Charges (Cont'd)

7.5.10 Special Access Term Discount Plan (Cont'd)

(B) Reserved for Future Use (Cont'd)

(C)

(D)

(D)

ISSUE DATE:
October 17, 2017

Issued Under Transmittal No. 96
Vice President-Regulatory Operations
100 CenturyLink Drive
Monroe, Louisiana 71203

EFFECTIVE DATE:
November 1, 2017

ACCESS SERVICE

7. Special Access Service (Cont'd)

7.5 Rates and Charges (Cont'd)

7.5.10 Special Access Term Discount Plan (Cont'd)

(B) Reserved for Future Use (Cont'd)

(C)

(D)

(D)

ISSUE DATE:
October 17, 2017

Issued Under Transmittal No. 96
Vice President-Regulatory Operations
100 CenturyLink Drive
Monroe, Louisiana 71203

EFFECTIVE DATE:
November 1, 2017

ACCESS SERVICE

7. Special Access Service (Cont'd)

7.5 Rates and Charges (Cont'd)

7.5.10 Special Access Term Discount Plan (Cont'd)

(B) Reserved for Future Use (Cont'd)

(C)

(D)

(D)

ISSUE DATE:
October 17, 2017

Issued Under Transmittal No. 96
Vice President-Regulatory Operations
100 CenturyLink Drive
Monroe, Louisiana 71203

EFFECTIVE DATE:
November 1, 2017

ACCESS SERVICE

7. Special Access Service (Cont'd)

7.5 Rates and Charges (Cont'd)

7.5.10 Special Access Term Discount Plan (Cont'd)

(B) Reserved for Future Use (Cont'd)

(C)

(D)

(D)

ISSUE DATE:
October 17, 2017

Issued Under Transmittal No. 96
Vice President-Regulatory Operations
100 CenturyLink Drive
Monroe, Louisiana 71203

EFFECTIVE DATE:
November 1, 2017

ACCESS SERVICE

7. Special Access Service (Cont'd)

7.5 Rates and Charges (Cont'd)

7.5.10 Special Access Term Discount Plan (Cont'd)

(B) Reserved for Future Use (Cont'd)

(C)

(D)

(D)

ISSUE DATE:
October 17, 2017

Issued Under Transmittal No. 96
Vice President-Regulatory Operations
100 CenturyLink Drive
Monroe, Louisiana 71203

EFFECTIVE DATE:
November 1, 2017

ACCESS SERVICE

7. Special Access Service (Cont'd)

7.5 Rates and Charges (Cont'd)

7.5.10 Special Access Term Discount Plan (Cont'd)

(C) Reserved for Future Use

(C)

(D)

(D)

ISSUE DATE:
October 17, 2017

Issued Under Transmittal No. 96
Vice President-Regulatory Operations
100 CenturyLink Drive
Monroe, Louisiana 71203

EFFECTIVE DATE:
November 1, 2017

ACCESS SERVICE

7. Special Access Service (Cont'd)

7.5 Rates and Charges (Cont'd)

7.5.10 Special Access Term Discount Plan (Cont'd)

(C) Reserved for Future Use (Cont'd)

(C)

(D)

(D)

ISSUE DATE:
October 17, 2017

Issued Under Transmittal No. 96
Vice President-Regulatory Operations
100 CenturyLink Drive
Monroe, Louisiana 71203

EFFECTIVE DATE:
November 1, 2017

ACCESS SERVICE

7. Special Access Service (Cont'd)

7.5 Rates and Charges (Cont'd)

7.5.10 Special Access Term Discount Plan (Cont'd)

(C) Reserved for Future Use (Cont'd)

(C)

(D)

(D)

ISSUE DATE:
October 17, 2017

Issued Under Transmittal No. 96
Vice President-Regulatory Operations
100 CenturyLink Drive
Monroe, Louisiana 71203

EFFECTIVE DATE:
November 1, 2017

ACCESS SERVICE

7. Special Access Service (Cont'd)

7.5 Rates and Charges (Cont'd)

7.5.10 Special Access Term Discount Plan (Cont'd)

(C) Reserved for Future Use (Cont'd)

(C)

(D)

(D)

ISSUE DATE:
October 17, 2017

Issued Under Transmittal No. 96
Vice President-Regulatory Operations
100 CenturyLink Drive
Monroe, Louisiana 71203

EFFECTIVE DATE:
November 1, 2017

ACCESS SERVICE

7. Special Access Service (Cont'd)

7.5 Rates and Charges (Cont'd)

7.5.10 Special Access Term Discount Plan (Cont'd)

(C) Reserved for Future Use (Cont'd)

(C)

(D)

(D)

ISSUE DATE:
October 17, 2017

Issued Under Transmittal No. 96
Vice President-Regulatory Operations
100 CenturyLink Drive
Monroe, Louisiana 71203

EFFECTIVE DATE:
November 1, 2017

ACCESS SERVICE

7. Special Access Service (Cont'd)

7.5 Rates and Charges (Cont'd)

7.5.10 Special Access Term Discount Plan (Cont'd)

(C) Reserved for Future Use (Cont'd)

(C)

(D)

(D)

ISSUE DATE:
October 17, 2017

Issued Under Transmittal No. 96
Vice President-Regulatory Operations
100 CenturyLink Drive
Monroe, Louisiana 71203

EFFECTIVE DATE:
November 1, 2017

ACCESS SERVICE

7. Special Access Service (Cont'd)

7.5 Rates and Charges (Cont'd)

7.5.10 Special Access Term Discount Plan (Cont'd)

(C) Reserved for Future Use (Cont'd)

(C)

(D)

(D)

ISSUE DATE:
October 17, 2017

Issued Under Transmittal No. 96
Vice President-Regulatory Operations
100 CenturyLink Drive
Monroe, Louisiana 71203

EFFECTIVE DATE:
November 1, 2017

ACCESS SERVICE

7. Special Access Service (Cont'd)

7.5 Rates and Charges (Cont'd)

7.5.10 Special Access Term Discount Plan (Cont'd)

(C) Reserved for Future Use (Cont'd)

(C)

(D)

(D)

ISSUE DATE:
October 17, 2017

Issued Under Transmittal No. 96
Vice President-Regulatory Operations
100 CenturyLink Drive
Monroe, Louisiana 71203

EFFECTIVE DATE:
November 1, 2017

ACCESS SERVICE

7. Special Access Service (Cont'd)

7.5 Rates and Charges (Cont'd)

7.5.10 Special Access Term Discount Plan (Cont'd)

(D) Reserved for Future Use

(C)

(D)

(D)

ISSUE DATE:
October 17, 2017

Issued Under Transmittal No. 96
Vice President-Regulatory Operations
100 CenturyLink Drive
Monroe, Louisiana 71203

EFFECTIVE DATE:
November 1, 2017

ACCESS SERVICE

7. Special Access Service (Cont'd)

7.5 Rates and Charges (Cont'd)

7.5.11 Reserved for Future Use

(C)

(D)

7.5.12 Reserved for Future Use

(D)

ISSUE DATE:
October 17, 2017

Issued Under Transmittal No. 96
Vice President-Regulatory Operations
100 CenturyLink Drive
Monroe, Louisiana 71203

EFFECTIVE DATE:
November 1, 2017

ACCESS SERVICE

7. Special Access Service (Cont'd)

7.5 Rates and Charges (Cont'd)

7.5.13 Reserved for Future Use

(C)

(D)

(D)

ISSUE DATE:
October 17, 2017

Issued Under Transmittal No. 96
Vice President-Regulatory Operations
100 CenturyLink Drive
Monroe, Louisiana 71203

EFFECTIVE DATE:
November 1, 2017

ACCESS SERVICE

7. Special Access Service (Cont'd)

7.5 Rates and Charges (Cont'd)

7.5.13 Reserved for Future Use (Cont'd)

(C)

(D)

(D)

ISSUE DATE:
October 17, 2017

Issued Under Transmittal No. 96
Vice President-Regulatory Operations
100 CenturyLink Drive
Monroe, Louisiana 71203

EFFECTIVE DATE:
November 1, 2017

ACCESS SERVICE

7. Special Access Service (Cont'd)

7.5 Rates and Charges (Cont'd)

7.5.13 Reserved for Future Use (Cont'd)

(C)

(D)

(D)

ISSUE DATE:
October 17, 2017

Issued Under Transmittal No. 96
Vice President-Regulatory Operations
100 CenturyLink Drive
Monroe, Louisiana 71203

EFFECTIVE DATE:
November 1, 2017

ACCESS SERVICE

7. Special Access Service (Cont'd)

7.5 Rates and Charges (Cont'd)

7.5.13 Reserved for Future Use (Cont'd)

(C)

(D)

(D)

ISSUE DATE:
October 17, 2017

Issued Under Transmittal No. 96
Vice President-Regulatory Operations
100 CenturyLink Drive
Monroe, Louisiana 71203

EFFECTIVE DATE:
November 1, 2017

ACCESS SERVICE

7. Special Access Service (Cont'd)

7.5 Rates and Charges (Cont'd)

7.5.13 Reserved for Future Use (Cont'd)

(C)

(D)

(D)

ISSUE DATE:
October 17, 2017

Issued Under Transmittal No. 96
Vice President-Regulatory Operations
100 CenturyLink Drive
Monroe, Louisiana 71203

EFFECTIVE DATE:
November 1, 2017

ACCESS SERVICE

7. Special Access Service (Cont'd)

7.5 Rates and Charges (Cont'd)

7.5.13 Reserved for Future Use (Cont'd)

(C)

(D)

(D)

ISSUE DATE:
October 17, 2017

Issued Under Transmittal No. 96
Vice President-Regulatory Operations
100 CenturyLink Drive
Monroe, Louisiana 71203

EFFECTIVE DATE:
November 1, 2017

ACCESS SERVICE

7. Special Access Service (Cont'd)

7.5 Rates and Charges (Cont'd)

7.5.13 Reserved for Future Use (Cont'd)

(C)

(D)

(D)

ISSUE DATE:
October 17, 2017

Issued Under Transmittal No. 96
Vice President-Regulatory Operations
100 CenturyLink Drive
Monroe, Louisiana 71203

EFFECTIVE DATE:
November 1, 2017

ACCESS SERVICE

7. Special Access Service (Cont'd)

7.5 Rates and Charges (Cont'd)

7.5.13 Reserved for Future Use (Cont'd)

(C)

(D)

(D)

ISSUE DATE:
October 17, 2017

Issued Under Transmittal No. 96
Vice President-Regulatory Operations
100 CenturyLink Drive
Monroe, Louisiana 71203

EFFECTIVE DATE:
November 1, 2017

ACCESS SERVICE

7. Special Access Service (Cont'd)

7.5 Rates and Charges (Cont'd)

7.5.13 Reserved for Future Use (Cont'd)

(C)

(D)

(D)

ISSUE DATE:
October 17, 2017

Issued Under Transmittal No. 96
Vice President-Regulatory Operations
100 CenturyLink Drive
Monroe, Louisiana 71203

EFFECTIVE DATE:
November 1, 2017

ACCESS SERVICE

7. Special Access Service (Cont'd)

7.5 Rates and Charges (Cont'd)

7.5.13 Reserved for Future Use (Cont'd)

(C)

(D)

(D)

ISSUE DATE:
October 17, 2017

Issued Under Transmittal No. 96
Vice President-Regulatory Operations
100 CenturyLink Drive
Monroe, Louisiana 71203

EFFECTIVE DATE:
November 1, 2017

ACCESS SERVICE

7. Special Access Service (Cont'd)

7.5 Rates and Charges (Cont'd)

7.5.13 Reserved for Future Use (Cont'd)

(C)

(D)

(D)

ISSUE DATE:
October 17, 2017

Issued Under Transmittal No. 96
Vice President-Regulatory Operations
100 CenturyLink Drive
Monroe, Louisiana 71203

EFFECTIVE DATE:
November 1, 2017

ACCESS SERVICE

7. Special Access Service (Cont'd)

7.5 Rates and Charges (Cont'd)

7.5.13 Reserved for Future Use (Cont'd)

(C)

(D)

(D)

ISSUE DATE:
October 17, 2017

Issued Under Transmittal No. 96
Vice President-Regulatory Operations
100 CenturyLink Drive
Monroe, Louisiana 71203

EFFECTIVE DATE:
November 1, 2017

ACCESS SERVICE

7. Special Access Service (Cont'd)

7.5 Rates and Charges (Cont'd)

7.5.13 Reserved for Future Use (Cont'd)

(C)

(D)

(D)

ISSUE DATE:
October 17, 2017

Issued Under Transmittal No. 96
Vice President-Regulatory Operations
100 CenturyLink Drive
Monroe, Louisiana 71203

EFFECTIVE DATE:
November 1, 2017

ACCESS SERVICE

7. Special Access Service (Cont'd)

7.5 Rates and Charges (Cont'd)

7.5.13 Reserved for Future Use (Cont'd)

(C)

(D)

(D)

ISSUE DATE:
October 17, 2017

Issued Under Transmittal No. 96
Vice President-Regulatory Operations
100 CenturyLink Drive
Monroe, Louisiana 71203

EFFECTIVE DATE:
November 1, 2017

ACCESS SERVICE

7. Special Access Service (Cont'd)

7.5 Rates and Charges (Cont'd)

7.5.13 Reserved for Future Use (Cont'd)

(C)

(D)

(D)

ISSUE DATE:
October 17, 2017

Issued Under Transmittal No. 96
Vice President-Regulatory Operations
100 CenturyLink Drive
Monroe, Louisiana 71203

EFFECTIVE DATE:
November 1, 2017

ACCESS SERVICE

7. Special Access Service (Cont'd)

7.5 Rates and Charges (Cont'd)

7.5.13 Reserved for Future Use (Cont'd)

(C)

(D)

(D)

ISSUE DATE:
October 17, 2017

Issued Under Transmittal No. 96
Vice President-Regulatory Operations
100 CenturyLink Drive
Monroe, Louisiana 71203

EFFECTIVE DATE:
November 1, 2017

ACCESS SERVICE

7. Special Access Service (Cont'd)

7.5 Rates and Charges (Cont'd)

7.5.13 Reserved for Future Use (Cont'd)

(C)

(D)

(D)

ISSUE DATE:
October 17, 2017

Issued Under Transmittal No. 96
Vice President-Regulatory Operations
100 CenturyLink Drive
Monroe, Louisiana 71203

EFFECTIVE DATE:
November 1, 2017

ACCESS SERVICE

7. Special Access Service (Cont'd)

7.5 Rates and Charges (Cont'd)

7.5.13 Reserved for Future Use (Cont'd)

(C)

(D)

(D)

ISSUE DATE:
October 17, 2017

Issued Under Transmittal No. 96
Vice President-Regulatory Operations
100 CenturyLink Drive
Monroe, Louisiana 71203

EFFECTIVE DATE:
November 1, 2017

ACCESS SERVICE

7. Special Access Service (Cont'd)

7.5 Rates and Charges (Cont'd)

7.5.13 Reserved for Future Use (Cont'd)

(C)

(D)

(D)

ISSUE DATE:
October 17, 2017

Issued Under Transmittal No. 96
Vice President-Regulatory Operations
100 CenturyLink Drive
Monroe, Louisiana 71203

EFFECTIVE DATE:
November 1, 2017

ACCESS SERVICE

7. Special Access Service (Cont'd)

7.5 Rates and Charges (Cont'd)

7.5.13 Reserved for Future Use (Cont'd)

(C)

(D)

(D)

ISSUE DATE:
October 17, 2017

Issued Under Transmittal No. 96
Vice President-Regulatory Operations
100 CenturyLink Drive
Monroe, Louisiana 71203

EFFECTIVE DATE:
November 1, 2017

ACCESS SERVICE

7. Special Access Service (Cont'd)

7.5 Rates and Charges (Cont'd)

7.5.13 Reserved for Future Use (Cont'd)

(C)

(D)

(D)

ISSUE DATE:
October 17, 2017

Issued Under Transmittal No. 96
Vice President-Regulatory Operations
100 CenturyLink Drive
Monroe, Louisiana 71203

EFFECTIVE DATE:
November 1, 2017

ACCESS SERVICE

7. Special Access Service (Cont'd)

7.5 Rates and Charges (Cont'd)

7.5.13 Reserved for Future Use (Cont'd)

(C)

(D)

(D)

ISSUE DATE:
October 17, 2017

Issued Under Transmittal No. 96
Vice President-Regulatory Operations
100 CenturyLink Drive
Monroe, Louisiana 71203

EFFECTIVE DATE:
November 1, 2017

ACCESS SERVICE

7. Special Access Service (Cont'd)

7.5 Rates and Charges (Cont'd)

7.5.13 Reserved for Future Use (Cont'd)

(C)

(D)

(D)

ISSUE DATE:
October 17, 2017

Issued Under Transmittal No. 96
Vice President-Regulatory Operations
100 CenturyLink Drive
Monroe, Louisiana 71203

EFFECTIVE DATE:
November 1, 2017

ACCESS SERVICE

7. Special Access Service (Cont'd)

7.5 Rates and Charges (Cont'd)

7.5.13 Reserved for Future Use (Cont'd)

(C)

(D)

(D)

ISSUE DATE:
October 17, 2017

Issued Under Transmittal No. 96
Vice President-Regulatory Operations
100 CenturyLink Drive
Monroe, Louisiana 71203

EFFECTIVE DATE:
November 1, 2017

ACCESS SERVICE

7. Special Access Service (Cont'd)

7.5 Rates and Charges (Cont'd)

7.5.13 Reserved for Future Use (Cont'd)

(C)

(D)

(D)

ISSUE DATE:
October 17, 2017

Issued Under Transmittal No. 96
Vice President-Regulatory Operations
100 CenturyLink Drive
Monroe, Louisiana 71203

EFFECTIVE DATE:
November 1, 2017

ACCESS SERVICE

7. Special Access Service (Cont'd)

7.5 Rates and Charges (Cont'd)

7.5.13 Reserved for Future Use (Cont'd)

(C)

(D)

(D)

ISSUE DATE:
October 17, 2017

Issued Under Transmittal No. 96
Vice President-Regulatory Operations
100 CenturyLink Drive
Monroe, Louisiana 71203

EFFECTIVE DATE:
November 1, 2017

ACCESS SERVICE

7. Special Access Service (Cont'd)

7.5 Rates and Charges (Cont'd)

7.5.13 Reserved for Future Use (Cont'd)

(C)

(D)

(D)

ISSUE DATE:
October 17, 2017

Issued Under Transmittal No. 96
Vice President-Regulatory Operations
100 CenturyLink Drive
Monroe, Louisiana 71203

EFFECTIVE DATE:
November 1, 2017

ACCESS SERVICE

7. Special Access Service (Cont'd)

7.5 Rates and Charges (Cont'd)

7.5.13 Reserved for Future Use (Cont'd)

(C)

(D)

(D)

ISSUE DATE:
October 17, 2017

Issued Under Transmittal No. 96
Vice President-Regulatory Operations
100 CenturyLink Drive
Monroe, Louisiana 71203

EFFECTIVE DATE:
November 1, 2017

ACCESS SERVICE

7. Special Access Service (Cont'd)

7.5 Rates and Charges (Cont'd)

7.5.13 Reserved for Future Use (Cont'd)

(C)

(D)

(D)

ISSUE DATE:
October 17, 2017

Issued Under Transmittal No. 96
Vice President-Regulatory Operations
100 CenturyLink Drive
Monroe, Louisiana 71203

EFFECTIVE DATE:
November 1, 2017

ACCESS SERVICE

7. Special Access Service (Cont'd)

7.5 Rates and Charges (Cont'd)

7.5.13 Reserved for Future Use (Cont'd)

(C)

(D)

(D)

ISSUE DATE:
October 17, 2017

Issued Under Transmittal No. 96
Vice President-Regulatory Operations
100 CenturyLink Drive
Monroe, Louisiana 71203

EFFECTIVE DATE:
November 1, 2017

ACCESS SERVICE

7. Special Access Service (Cont'd)

7.5 Rates and Charges (Cont'd)

7.5.13 Reserved for Future Use (Cont'd)

(C)

(D)

(D)

ISSUE DATE:
October 17, 2017

Issued Under Transmittal No. 96
Vice President-Regulatory Operations
100 CenturyLink Drive
Monroe, Louisiana 71203

EFFECTIVE DATE:
November 1, 2017

ACCESS SERVICE

7. Special Access Service (Cont'd)

7.5 Rates and Charges (Cont'd)

7.5.13 Reserved for Future Use (Cont'd)

(C)

(D)

(D)

ISSUE DATE:
October 17, 2017

Issued Under Transmittal No. 96
Vice President-Regulatory Operations
100 CenturyLink Drive
Monroe, Louisiana 71203

EFFECTIVE DATE:
November 1, 2017

ACCESS SERVICE

7. Special Access Service (Cont'd)

7.5 Rates and Charges (Cont'd)

7.5.14 Special Access Premier Term Discount Plan – GRANDFATHERED

(A) Non-Competitive End User Channel Termination

(1) Voice Grade Service

- Per Point of Termination

	Monthly Rates		
	<u>Two Wire</u>	<u>Four Wire</u>	
Florida	\$69.00	\$98.00	(D)
Minnesota	\$73.00	\$87.00	(D)
Nebraska	\$73.00	\$87.00	(D)
Oregon	\$80.00	\$99.00	(D)
Washington	\$80.00	\$99.00	(D)
Wyoming	\$73.00	\$87.00	(D)

Effective October 1, 2020 the Special Access Premier Term Discount Plan will be grandfathered until the expiration date of the current term. Term renewals will not be offered on these plans going forward as of this effective date. Upon expiration of the current term, rates will revert to month-to-month.

Material deleted from this page now appears in Brightspeed Local Operating Companies Tariff F.C.C. NO. 9.

ISSUE DATE:
 September 19, 2022

Issued Under Transmittal No. 125
 Vice President-Regulatory Operations
 100 CenturyLink Drive
 Monroe, Louisiana 71203

EFFECTIVE DATE:
 October 4, 2022

ACCESS SERVICE

7. Special Access Service (Cont'd)

7.5 Rates and Charges (Cont'd)

7.5.14 Special Access Premier Term Discount Plan – GRANDFATHERED (Cont'd)

(A) Non-Competitive End User Channel Termination (Cont'd)

(2) Program Audio Service

(a) 300 – 2500 HZ Channels

- Per Point of Termination

	<u>Monthly Rates</u>	
Florida	\$62.40	(D)
		(D)
Minnesota	\$58.80	(D)
Nebraska	\$58.80	(D)
		(D)
Oregon	\$50.80	(D)
		(D)
Washington	\$50.80	(D)
Wyoming	\$58.80	(D)

Effective October 1, 2020 the Special Access Premier Term Discount Plan will be grandfathered until the expiration date of the current term. Term renewals will not be offered on these plans going forward as of this effective date. Upon expiration of the current term, rates will revert to month-to-month.

(D)

Material deleted from this page now appears in Brightspeed Local Operating Companies Tariff F.C.C. NO. 9.

(N)
(N)

ISSUE DATE:
September 19, 2022

Issued Under Transmittal No. 125
 Vice President-Regulatory Operations
 100 CenturyLink Drive
 Monroe, Louisiana 71203

EFFECTIVE DATE:
October 4, 2022

ACCESS SERVICE

7. Special Access Service (Cont'd)

7.5 Rates and Charges (Cont'd)

7.5.14 Special Access Premier Term Discount Plan – GRANDFATHERED (Cont'd)

(A) Non-Competitive End User Channel Termination (Cont'd)

(2) Program Audio Service (Cont'd)

(b) 200 – 3500 HZ Channels

- Per Point of Termination

	<u>Monthly Rates</u>	
Florida	\$72.80	(D)
		(D)
Minnesota	\$61.90	(D)
Nebraska	\$61.90	(D)
		(D)
Oregon	\$52.90	(D)
		(D)
Washington	\$52.90	
Wyoming	\$61.90	

Effective October 1, 2020 the Special Access Premier Term Discount Plan will be grandfathered until the expiration date of the current term. Term renewals will not be offered on these plans going forward as of this effective date. Upon expiration of the current term, rates will revert to month-to-month.

(D)

Material deleted from this page now appears in Brightspeed Local Operating Companies Tariff F.C.C. NO. 9.

(N)
(N)

ISSUE DATE:
September 19, 2022

Issued Under Transmittal No. 125
 Vice President-Regulatory Operations
 100 CenturyLink Drive
 Monroe, Louisiana 71203

EFFECTIVE DATE:
October 4, 2022

ACCESS SERVICE

7. Special Access Service (Cont'd)

7.5 Rates and Charges (Cont'd)

7.5.14 Special Access Premier Term Discount Plan – GRANDFATHERED (Cont'd)

(A) Non-Competitive End User Channel Termination (Cont'd)

(2) Program Audio Service (Cont'd)

(c) 100 – 5000 HZ Channels

- Per Point of Termination

	<u>Monthly Rates</u>	
Florida	\$88.40	(D)
		(D)
Minnesota	\$65.00	
Nebraska	\$65.00	(D)
		(D)
Oregon	\$60.20	(D)
		(D)
Washington	\$60.20	
Wyoming	\$65.00	(D)

Effective October 1, 2020 the Special Access Premier Term Discount Plan will be grandfathered until the expiration date of the current term. Term renewals will not be offered on these plans going forward as of this effective date. Upon expiration of the current term, rates will revert to month-to-month.

(D)

Material deleted from this page now appears in Brightspeed Local Operating Companies Tariff F.C.C. NO. 9.

(N)
(N)

ISSUE DATE:
September 19, 2022

Issued Under Transmittal No. 125
 Vice President-Regulatory Operations
 100 CenturyLink Drive
 Monroe, Louisiana 71203

EFFECTIVE DATE:
October 4, 2022

ACCESS SERVICE

7. Special Access Service (Cont'd)

7.5 Rates and Charges (Cont'd)

7.5.14 Special Access Premier Term Discount Plan – GRANDFATHERED (Cont'd)

(A) Non-Competitive End User Channel Termination (Cont'd)

(2) Program Audio Service (Cont'd)

(d) 50 – 800 HZ Channels

- Per Point of Termination

	<u>Monthly Rates</u>	
Florida	\$93.60	(D)
		(D)
Minnesota	\$66.10	
Nebraska	\$66.10	(D)
		(D)
Oregon	\$68.50	(D)
		(D)
Washington	\$68.50	
Wyoming	\$66.10	(D)

Effective October 1, 2020 the Special Access Premier Term Discount Plan will be grandfathered until the expiration date of the current term. Term renewals will not be offered on these plans going forward as of this effective date. Upon expiration of the current term, rates will revert to month-to-month.

(D)

Material deleted from this page now appears in Brightspeed Local Operating Companies Tariff F.C.C. NO. 9.

(N)
(N)

ISSUE DATE:
September 19, 2022

Issued Under Transmittal No. 125
 Vice President-Regulatory Operations
 100 CenturyLink Drive
 Monroe, Louisiana 71203

EFFECTIVE DATE:
October 4, 2022

ACCESS SERVICE

7. Special Access Service (Cont'd)

7.5 Rates and Charges (Cont'd)

7.5.14 Special Access Premier Term Discount Plan – GRANDFATHERED (Cont'd)

(A) Non-Competitive End User Channel Termination (Cont'd)

(2) Program Audio Service (Cont'd)

(e) 50 – 15000 HZ Channels

- Per Point of Termination

	<u>Monthly Rates</u>	
Florida	\$104.00	(D)
		(D)
Minnesota	\$67.10	
Nebraska	\$67.10	(D)
		(D)
Oregon	\$71.60	(D)
		(D)
Washington	\$71.60	
Wyoming	\$67.10	(D)

Effective October 1, 2020 the Special Access Premier Term Discount Plan will be grandfathered until the expiration date of the current term. Term renewals will not be offered on these plans going forward as of this effective date. Upon expiration of the current term, rates will revert to month-to-month.

(D)

Material deleted from this page now appears in Brightspeed Local Operating Companies Tariff F.C.C. NO. 9.

(N)
(N)

ISSUE DATE:
September 19, 2022

Issued Under Transmittal No. 125
 Vice President-Regulatory Operations
 100 CenturyLink Drive
 Monroe, Louisiana 71203

EFFECTIVE DATE:
October 4, 2022

ACCESS SERVICE

7. Special Access Service (Cont'd)

7.5 Rates and Charges (Cont'd)

7.5.14 Special Access Premier Term Discount Plan – GRANDFATHERED (Cont'd)

(A) Non-Competitive End User Channel Termination (Cont'd)

(3) Digital Data Service

- Per Point of Termination

- All Speeds
 (2.4, 4.8, 9.6, 19.2, 38.4, 56.0, 64.0 Kbps)

	<u>Monthly Rates</u>	
Florida	\$97.00	(D) (D)
Minnesota	\$77.00	(D)
Nebraska	\$77.00	(D) (D)
Oregon	\$95.00	(D) (D)
Washington	\$95.00	
Wyoming	\$77.00	

Effective October 1, 2020 the Special Access Premier Term Discount Plan will be grandfathered until the expiration date of the current term. Term renewals will not be offered on these plans going forward as of this effective date. Upon expiration of the current term, rates will revert to month-to-month.

(D)

Material deleted from this page now appears in Brightspeed Local Operating Companies Tariff F.C.C. NO. 9.

(N)
(N)

ISSUE DATE:
 September 19, 2022

Issued Under Transmittal No. 125
 Vice President-Regulatory Operations
 100 CenturyLink Drive
 Monroe, Louisiana 71203

EFFECTIVE DATE:
 October 4, 2022

ACCESS SERVICE

7. Special Access Service (Cont'd)

7.5 Rates and Charges (Cont'd)

7.5.14 Special Access Premier Term Discount Plan – GRANDFATHERED (Cont'd)

(A) Non-Competitive End User Channel Termination (Cont'd)

(4) High Capacity Service

(a) 1.544 Mbps

- Per Point of Termination

	Monthly Rates		
	Within <u>CO</u>	0 – 3 <u>Miles</u>	Over 3 <u>Miles</u>
<u>Zone 1</u>			
Florida	\$23.00	\$115.00	\$171.00
Minnesota	\$37.00	\$120.00	\$166.00
Nebraska	\$37.00	\$120.00	\$166.00
Oregon	\$37.00	\$190.00	\$263.00
Washington	\$37.00	\$190.00	\$263.00
Wyoming	\$37.00	\$120.00	\$166.00

(D)
(D)
(D)
(D)
(D)
(D)
(D)

Effective October 1, 2020 the Special Access Premier Term Discount Plan will be grandfathered until the expiration date of the current term. Term renewals will not be offered on these plans going forward as of this effective date. Upon expiration of the current term, rates will revert to month-to-month.

(D)

Material deleted from this page now appears in Brightspeed Local Operating Companies Tariff F.C.C. NO. 9.

(N)
(N)

ISSUE DATE:
September 19, 2022

Issued Under Transmittal No. 125
 Vice President-Regulatory Operations
 100 CenturyLink Drive
 Monroe, Louisiana 71203

EFFECTIVE DATE:
October 4, 2022

ACCESS SERVICE

7. Special Access Service (Cont'd)

7.5 Rates and Charges (Cont'd)

7.5.14 Special Access Premier Term Discount Plan – GRANDFATHERED (Cont'd)

(A) Non-Competitive End User Channel Termination (Cont'd)

(4) High Capacity Service (Cont'd)

(a) 1.544 Mbps (Cont'd)

- Per Point of Termination

	Monthly Rates		
	Within CO	0 – 3 Miles	Over 3 Miles
<u>Zone 2</u>			
Florida	\$28.00	\$140.00	\$200.00
Minnesota	\$45.00	\$130.00	\$177.00
Nebraska	\$45.00	\$130.00	\$177.00
Oregon	\$45.00	\$210.00	\$286.00
Washington	\$45.00	\$210.00	\$286.00
Wyoming	\$45.00	\$130.00	\$177.00

(D)
 (D)
 (D)
 (D)
 (D)
 (D)
 (D)

Effective October 1, 2020 the Special Access Premier Term Discount Plan will be grandfathered until the expiration date of the current term. Term renewals will not be offered on these plans going forward as of this effective date. Upon expiration of the current term, rates will revert to month-to-month.

(D)

Material deleted from this page now appears in Brightspeed Local Operating Companies Tariff F.C.C. NO. 9.

(N)
 (N)

ISSUE DATE:
 September 19, 2022

Issued Under Transmittal No. 125
 Vice President-Regulatory Operations
 100 CenturyLink Drive
 Monroe, Louisiana 71203

EFFECTIVE DATE:
 October 4, 2022

ACCESS SERVICE

7. Special Access Service (Cont'd)

7.5 Rates and Charges (Cont'd)

7.5.14 Special Access Premier Term Discount Plan – GRANDFATHERED (Cont'd)

(A) Non-Competitive End User Channel Termination (Cont'd)

(4) High Capacity Service (Cont'd)

(a) 1.544 Mbps (Cont'd)

- Per Point of Termination

	Monthly Rates			
	Within CO	0 – 3 Miles	Over 3 Miles	
<u>Zone 3</u>				
Florida	\$33.00	\$160.00	\$235.00	(D)
Minnesota	\$50.00	\$140.00	\$183.00	(D)
Nebraska	\$50.00	\$140.00	\$183.00	(D)
Oregon	N/A	N/A	N/A	(D)
Washington	N/A	N/A	N/A	(D)
Wyoming	\$50.00	\$140.00	\$183.00	(D)

Effective October 1, 2020 the Special Access Premier Term Discount Plan will be grandfathered until the expiration date of the current term. Term renewals will not be offered on these plans going forward as of this effective date. Upon expiration of the current term, rates will revert to month-to-month.

Material deleted from this page now appears in Brightspeed Local Operating Companies Tariff F.C.C. NO. 9.

ISSUE DATE:
 September 19, 2022

Issued Under Transmittal No. 125
 Vice President-Regulatory Operations
 100 CenturyLink Drive
 Monroe, Louisiana 71203

EFFECTIVE DATE:
 October 4, 2022

ACCESS SERVICE

7. Special Access Service (Cont'd)7.5 Rates and Charges (Cont'd)7.5.14 Special Access Premier Term Discount Plan – GRANDFATHERED (Cont'd)(A) Non-Competitive End User Channel Termination (Cont'd)(4) High Capacity Service (Cont'd)(a) 1.544 Mbps (Cont'd)

- Per Point of Termination

	Monthly Rates			
	Within CO	0 – 3 Miles	Over 3 Miles	
<u>Zone 4</u>				(D)
Minnesota	\$53.00	\$149.00	\$193.00	(D)
Nebraska	\$53.00	\$149.00	\$193.00	(D)
Wyoming	\$53.00	\$149.00	\$193.00	

Effective October 1, 2020 the Special Access Premier Term Discount Plan will be grandfathered until the expiration date of the current term. Term renewals will not be offered on these plans going forward as of this effective date. Upon expiration of the current term, rates will revert to month-to-month.

(D)

Material deleted from this page now appears in Brightspeed Local Operating Companies Tariff F.C.C. NO. 9.

(N)

(N)

ISSUE DATE:
September 19, 2022

Issued Under Transmittal No. 125
Vice President-Regulatory Operations
100 CenturyLink Drive
Monroe, Louisiana 71203

EFFECTIVE DATE:
October 4, 2022

ACCESS SERVICE

7. Special Access Service (Cont'd)

7.5 Rates and Charges (Cont'd)

7.5.14 Special Access Premier Term Discount Plan – GRANDFATHERED (Cont'd)

(A) Non-Competitive End User Channel Termination (Cont'd)

(4) High Capacity Service (Cont'd)

(b) 44.736 MBps

- Per Point of Termination

	Monthly Rates		
	Within CO	0 – 3 Miles	Over 3 Miles
<u>Zone 1</u>			
Florida	\$119.00	\$800.00	\$950.00
Minnesota	\$141.00	\$1,988.25	\$2,392.50
Nebraska	\$141.00	\$1,988.25	\$2,392.50
Oregon	\$141.00	\$1,508.00	\$1,866.15
Washington	\$141.00	\$1,508.00	\$1,866.15
Wyoming	\$141.00	\$1,988.25	\$2,392.50

(D)
(D)
(D)
(D)
(D)
(D)
(D)

Effective October 1, 2020 the Special Access Premier Term Discount Plan will be grandfathered until the expiration date of the current term. Term renewals will not be offered on these plans going forward as of this effective date. Upon expiration of the current term, rates will revert to month-to-month.

(D)

Material deleted from this page now appears in Brightspeed Local Operating Companies Tariff F.C.C. NO. 9.

(N)
(N)

ISSUE DATE:
September 19, 2022

Issued Under Transmittal No. 125
 Vice President-Regulatory Operations
 100 CenturyLink Drive
 Monroe, Louisiana 71203

EFFECTIVE DATE:
October 4, 2022

ACCESS SERVICE

7. Special Access Service (Cont'd)

7.5 Rates and Charges (Cont'd)

7.5.14 Special Access Premier Term Discount Plan – GRANDFATHERED (Cont'd)

(A) Non-Competitive End User Channel Termination (Cont'd)

(4) High Capacity Service (Cont'd)

(b) 44.736 Mbps Cont'd)

- Per Point of Termination

	Monthly Rates		
	Within <u>CO</u>	0 – 3 <u>Miles</u>	Over 3 <u>Miles</u>
<u>Zone 2</u>			
Florida	\$124.00	\$850.00	\$1,000.00
Minnesota	\$145.00	\$2,065.50	\$2,550.00
Nebraska	\$145.00	\$2,065.50	\$2,550.00
Oregon	\$145.00	\$1,523.00	\$1,903.00
Washington	\$145.00	\$1,523.00	\$1,903.00
Wyoming	\$145.00	\$2,065.50	\$2,550.00

(D)
(D)
(D)
(D)
(D)
(D)

Effective October 1, 2020 the Special Access Premier Term Discount Plan will be grandfathered until the expiration date of the current term. Term renewals will not be offered on these plans going forward as of this effective date. Upon expiration of the current term, rates will revert to month-to-month.

(D)

Material deleted from this page now appears in Brightspeed Local Operating Companies Tariff F.C.C. NO. 9.

(N)
(N)

ISSUE DATE:
September 19, 2022

Issued Under Transmittal No. 125
 Vice President-Regulatory Operations
 100 CenturyLink Drive
 Monroe, Louisiana 71203

EFFECTIVE DATE:
October 4, 2022

ACCESS SERVICE

7. Special Access Service (Cont'd)

7.5 Rates and Charges (Cont'd)

7.5.14 Special Access Premier Term Discount Plan – GRANDFATHERED Cont'd)

(A) Non-Competitive End User Channel Termination (Cont'd)

(4) High Capacity Service (Cont'd)

(b) 44.736 Mbps Cont'd)

- Per Point of Termination

	Monthly Rates			
	Within <u>CO</u>	0 – 3 <u>Miles</u>	Over 3 <u>Miles</u>	
<u>Zone 3</u>				
Florida	\$128.00	\$1,150.00	\$1,250.00	(D)
Minnesota	\$149.00	\$2,108.00	\$2,635.00	(D)
Nebraska	\$149.00	\$2,108.00	\$2,635.00	(D)
Oregon	N/A	N/A	N/A	(D)
Washington	N/A	N/A	N/A	(D)
Wyoming	\$149.00	\$2,108.00	\$2,635.00	(D)

Effective October 1, 2020 the Special Access Premier Term Discount Plan will be grandfathered until the expiration date of the current term. Term renewals will not be offered on these plans going forward as of this effective date. Upon expiration of the current term, rates will revert to month-to-month.

Material deleted from this page now appears in Brightspeed Local Operating Companies Tariff F.C.C. NO. 9.

ISSUE DATE:
September 19, 2022

Issued Under Transmittal No. 125
 Vice President-Regulatory Operations
 100 CenturyLink Drive
 Monroe, Louisiana 71203

EFFECTIVE DATE:
October 4, 2022

ACCESS SERVICE

7. Special Access Service (Cont'd)7.5 Rates and Charges (Cont'd)7.5.14 Special Access Premier Term Discount Plan – GRANDFATHERED (Cont'd)(A) Non-Competitive End User Channel Termination (Cont'd)(4) High Capacity Service (Cont'd)(b) 44.736 Mbps Cont'd)

- Per Point of Termination

	Monthly Rates			
	Within <u>CO</u>	0 – 3 <u>Miles</u>	Over 3 <u>Miles</u>	
<u>Zone 4</u>				(D)
Minnesota	\$153.00	\$2,168.00	\$2,720.00	(D)
Nebraska	\$153.00	\$2,168.00	\$2,720.00	(D)
Wyoming	\$153.00	\$2,168.00	\$2,720.00	

Effective October 1, 2020 the Special Access Premier Term Discount Plan will be grandfathered until the expiration date of the current term. Term renewals will not be offered on these plans going forward as of this effective date. Upon expiration of the current term, rates will revert to month-to-month.

(D)

Material deleted from this page now appears in Brightspeed Local Operating Companies Tariff F.C.C. NO. 9.

(N)

(N)

ISSUE DATE:
September 19, 2022

Issued Under Transmittal No. 125
Vice President-Regulatory Operations
100 CenturyLink Drive
Monroe, Louisiana 71203

EFFECTIVE DATE:
October 4, 2022

ACCESS SERVICE

7. Special Access Service (Cont'd)

7.5 Rates and Charges (Cont'd)

7.5.14 Special Access Premier Term Discount Plan – GRANDFATHERED (Cont'd)

(A) Non-Competitive End User Channel Termination (Cont'd)

(4) High Capacity Service (Cont'd)

(c) 128 Kbps Fractional DS1

- Per Point of Termination

	<u>Monthly Rates</u>	
Florida	\$178.00	(D)
		(D)
Minnesota	\$166.00	(D)
Nebraska	\$166.00	(D)
		(D)
Oregon	\$138.00	(D)
		(D)
Washington	\$138.00	
Wyoming	\$166.00	

Effective October 1, 2020 the Special Access Premier Term Discount Plan will be grandfathered until the expiration date of the current term. Term renewals will not be offered on these plans going forward as of this effective date. Upon expiration of the current term, rates will revert to month-to-month.

(D)

Material deleted from this page now appears in Brightspeed Local Operating Companies Tariff F.C.C. NO. 9.

(N)
(N)

ISSUE DATE:
September 19, 2022

Issued Under Transmittal No. 125
 Vice President-Regulatory Operations
 100 CenturyLink Drive
 Monroe, Louisiana 71203

EFFECTIVE DATE:
October 4, 2022

ACCESS SERVICE

7. Special Access Service (Cont'd)

7.5 Rates and Charges (Cont'd)

7.5.14 Special Access Premier Term Discount Plan – GRANDFATHERED (Cont'd)

(A) Non-Competitive End User Channel Termination (Cont'd)

(4) High Capacity Service (Cont'd)

(d) 256 Kbps Fractional DS1

- Per Point of Termination

	<u>Monthly Rates</u>	
Florida	\$183.00	(D)
		(D)
Minnesota	\$172.00	(D)
Nebraska	\$172.00	(D)
		(D)
Oregon	\$159.00	(D)
		(D)
		(D)
Washington	\$159.00	
Wyoming	\$172.00	

Effective October 1, 2020 the Special Access Premier Term Discount Plan will be grandfathered until the expiration date of the current term. Term renewals will not be offered on these plans going forward as of this effective date. Upon expiration of the current term, rates will revert to month-to-month.

(D)

Material deleted from this page now appears in Brightspeed Local Operating Companies Tariff F.C.C. NO. 9.

(N)
(N)

ISSUE DATE:
September 19, 2022

Issued Under Transmittal No. 125
 Vice President-Regulatory Operations
 100 CenturyLink Drive
 Monroe, Louisiana 71203

EFFECTIVE DATE:
October 4, 2022

ACCESS SERVICE

7. Special Access Service (Cont'd)

7.5 Rates and Charges (Cont'd)

7.5.14 Special Access Premier Term Discount Plan – GRANDFATHERED (Cont'd)

(A) Non-Competitive End User Channel Termination (Cont'd)

(4) High Capacity Service (Cont'd)

(e) 384 Kbps Fractional DS1)

- Per Point of Termination

	<u>Monthly Rates</u>	
Florida	\$189.00	(D)
		(D)
Minnesota	\$178.00	(D)
Nebraska	\$178.00	(D)
		(D)
Oregon	\$211.00	(D)
		(D)
		(D)
Washington	\$211.00	
Wyoming	\$178.00	

Effective October 1, 2020 the Special Access Premier Term Discount Plan will be grandfathered until the expiration date of the current term. Term renewals will not be offered on these plans going forward as of this effective date. Upon expiration of the current term, rates will revert to month-to-month.

(D)

Material deleted from this page now appears in Brightspeed Local Operating Companies Tariff F.C.C. NO. 9.

(N)

(N)

ISSUE DATE:
 September 19, 2022

Issued Under Transmittal No. 125
 Vice President-Regulatory Operations
 100 CenturyLink Drive
 Monroe, Louisiana 71203

EFFECTIVE DATE:
 October 4, 2022

ACCESS SERVICE

7. Special Access Service (Cont'd)

7.5 Rates and Charges (Cont'd)

7.5.14 Special Access Premier Term Discount Plan Cont'd)

(B) Reserved for Future Use

(C)

(D)

(D)

ISSUE DATE:
October 17, 2017

Issued Under Transmittal No. 96
Vice President-Regulatory Operations
100 CenturyLink Drive
Monroe, Louisiana 71203

EFFECTIVE DATE:
November 1, 2017

ACCESS SERVICE

7. Special Access Service (Cont'd)

7.5 Rates and Charges (Cont'd)

7.5.14 Special Access Premier Term Discount Plan Cont'd)

(C)

(B) Reserved for Future Use (Cont'd)

(D)

(D)

ISSUE DATE:
October 17, 2017

Issued Under Transmittal No. 96
Vice President-Regulatory Operations
100 CenturyLink Drive
Monroe, Louisiana 71203

EFFECTIVE DATE:
November 1, 2017

ACCESS SERVICE

7. Special Access Service (Cont'd)

7.5 Rates and Charges (Cont'd)

7.5.14 Special Access Premier Term Discount Plan Cont'd)

(C)

(B) Reserved for Future Use (Cont'd)

(D)

(D)

ISSUE DATE:
October 17, 2017

Issued Under Transmittal No. 96
Vice President-Regulatory Operations
100 CenturyLink Drive
Monroe, Louisiana 71203

EFFECTIVE DATE:
November 1, 2017

ACCESS SERVICE

7. Special Access Service (Cont'd)

7.5 Rates and Charges (Cont'd)

7.5.14 Special Access Premier Term Discount Plan Cont'd)

(C)

(B) Reserved for Future Use (Cont'd)

(D)

(D)

ISSUE DATE:
October 17, 2017

Issued Under Transmittal No. 96
Vice President-Regulatory Operations
100 CenturyLink Drive
Monroe, Louisiana 71203

EFFECTIVE DATE:
November 1, 2017

ACCESS SERVICE

7. Special Access Service (Cont'd)

7.5 Rates and Charges (Cont'd)

7.5.14 Special Access Premier Term Discount Plan Cont'd)

(C)

(B) Reserved for Future Use (Cont'd)

(D)

(D)

ISSUE DATE:
October 17, 2017

Issued Under Transmittal No. 96
Vice President-Regulatory Operations
100 CenturyLink Drive
Monroe, Louisiana 71203

EFFECTIVE DATE:
November 1, 2017

ACCESS SERVICE

7. Special Access Service (Cont'd)

7.5 Rates and Charges (Cont'd)

7.5.14 Special Access Premier Term Discount Plan Cont'd

(C)

(B) Reserved for Future Use (Cont'd)

(D)

(D)

ISSUE DATE:
October 17, 2017

Issued Under Transmittal No. 96
Vice President-Regulatory Operations
100 CenturyLink Drive
Monroe, Louisiana 71203

EFFECTIVE DATE:
November 1, 2017

ACCESS SERVICE

7. Special Access Service (Cont'd)

7.5 Rates and Charges (Cont'd)

7.5.14 Special Access Premier Term Discount Plan Cont'd)

(C)

(B) Reserved for Future Use (Cont'd)

(D)

(D)

ISSUE DATE:
October 17, 2017

Issued Under Transmittal No. 96
Vice President-Regulatory Operations
100 CenturyLink Drive
Monroe, Louisiana 71203

EFFECTIVE DATE:
November 1, 2017

ACCESS SERVICE

7. Special Access Service (Cont'd)

7.5 Rates and Charges (Cont'd)

7.5.14 Special Access Premier Term Discount Plan Cont'd)

(C)

(B) Reserved for Future Use (Cont'd)

(D)

(D)

ISSUE DATE:
October 17, 2017

Issued Under Transmittal No. 96
Vice President-Regulatory Operations
100 CenturyLink Drive
Monroe, Louisiana 71203

EFFECTIVE DATE:
November 1, 2017

ACCESS SERVICE

7. Special Access Service (Cont'd)

7.5 Rates and Charges (Cont'd)

7.5.14 Special Access Premier Term Discount Plan Cont'd)

(C)

(B) Reserved for Future Use (Cont'd)

(D)

(D)

ISSUE DATE:
October 17, 2017

Issued Under Transmittal No. 96
Vice President-Regulatory Operations
100 CenturyLink Drive
Monroe, Louisiana 71203

EFFECTIVE DATE:
November 1, 2017

ACCESS SERVICE

7. Special Access Service (Cont'd)

7.5 Rates and Charges (Cont'd)

7.5.14 Special Access Premier Term Discount Plan Cont'd)

(C)

(B) Reserved for Future Use (Cont'd)

(D)

(D)

ISSUE DATE:
October 17, 2017

Issued Under Transmittal No. 96
Vice President-Regulatory Operations
100 CenturyLink Drive
Monroe, Louisiana 71203

EFFECTIVE DATE:
November 1, 2017

ACCESS SERVICE

7. Special Access Service (Cont'd)

7.5 Rates and Charges (Cont'd)

7.5.14 Special Access Premier Term Discount Plan Cont'd)

(C)

(B) Reserved for Future Use (Cont'd)

(D)

(D)

ISSUE DATE:
October 17, 2017

Issued Under Transmittal No. 96
Vice President-Regulatory Operations
100 CenturyLink Drive
Monroe, Louisiana 71203

EFFECTIVE DATE:
November 1, 2017

ACCESS SERVICE

7. Special Access Service (Cont'd)

7.5 Rates and Charges (Cont'd)

7.5.14 Special Access Premier Term Discount Plan Cont'd)

(C)

(B) Reserved for Future Use (Cont'd)

(D)

(D)

ISSUE DATE:
October 17, 2017

Issued Under Transmittal No. 96
Vice President-Regulatory Operations
100 CenturyLink Drive
Monroe, Louisiana 71203

EFFECTIVE DATE:
November 1, 2017

ACCESS SERVICE

7. Special Access Service (Cont'd)

7.5 Rates and Charges (Cont'd)

7.5.14 Special Access Premier Term Discount Plan Cont'd)

(C)

(B) Reserved for Future Use (Cont'd)

(D)

(D)

ISSUE DATE:
October 17, 2017

Issued Under Transmittal No. 96
Vice President-Regulatory Operations
100 CenturyLink Drive
Monroe, Louisiana 71203

EFFECTIVE DATE:
November 1, 2017

ACCESS SERVICE

7. Special Access Service (Cont'd)

7.5 Rates and Charges (Cont'd)

7.5.14 Special Access Premier Term Discount Plan Cont'd)

(C)

(B) Reserved for Future Use (Cont'd)

(D)

(D)

ISSUE DATE:
October 17, 2017

Issued Under Transmittal No. 96
Vice President-Regulatory Operations
100 CenturyLink Drive
Monroe, Louisiana 71203

EFFECTIVE DATE:
November 1, 2017

ACCESS SERVICE

7. Special Access Service (Cont'd)

7.5 Rates and Charges (Cont'd)

7.5.14 Special Access Premier Term Discount Plan Cont'd)

(C)

(C) Reserved for Future Use

(D)

(D)

ISSUE DATE:
October 17, 2017

Issued Under Transmittal No. 96
Vice President-Regulatory Operations
100 CenturyLink Drive
Monroe, Louisiana 71203

EFFECTIVE DATE:
November 1, 2017

ACCESS SERVICE

7. Special Access Service (Cont'd)

7.5 Rates and Charges (Cont'd)

7.5.14 Special Access Premier Term Discount Plan Cont'd)

(C)

(C) Reserved for Future Use (Cont'd)

(D)

(D)

ISSUE DATE:
October 17, 2017

Issued Under Transmittal No. 96
Vice President-Regulatory Operations
100 CenturyLink Drive
Monroe, Louisiana 71203

EFFECTIVE DATE:
November 1, 2017

ACCESS SERVICE

7. Special Access Service (Cont'd)

7.5 Rates and Charges (Cont'd)

7.5.14 Special Access Premier Term Discount Plan Cont'd

(C)

(C) Reserved for Future Use (Cont'd)

(D)

(D)

ISSUE DATE:
October 17, 2017

Issued Under Transmittal No. 96
Vice President-Regulatory Operations
100 CenturyLink Drive
Monroe, Louisiana 71203

EFFECTIVE DATE:
November 1, 2017

ACCESS SERVICE

7. Special Access Service (Cont'd)

7.5 Rates and Charges (Cont'd)

7.5.14 Special Access Premier Term Discount Plan Cont'd)

(C)

(C) Reserved for Future Use (Cont'd)

(D)

(D)

ISSUE DATE:
October 17, 2017

Issued Under Transmittal No. 96
Vice President-Regulatory Operations
100 CenturyLink Drive
Monroe, Louisiana 71203

EFFECTIVE DATE:
November 1, 2017

ACCESS SERVICE

7. Special Access Service (Cont'd)

7.5 Rates and Charges (Cont'd)

7.5.14 Special Access Premier Term Discount Plan Cont'd)

(C)

(C) Reserved for Future Use (Cont'd)

(D)

(D)

ISSUE DATE:
October 17, 2017

Issued Under Transmittal No. 96
Vice President-Regulatory Operations
100 CenturyLink Drive
Monroe, Louisiana 71203

EFFECTIVE DATE:
November 1, 2017

ACCESS SERVICE

7. Special Access Service (Cont'd)

7.5 Rates and Charges (Cont'd)

7.5.14 Special Access Premier Term Discount Plan Cont'd)

(C)

(C) Reserved for Future Use (Cont'd)

(D)

(D)

ISSUE DATE:
October 17, 2017

Issued Under Transmittal No. 96
Vice President-Regulatory Operations
100 CenturyLink Drive
Monroe, Louisiana 71203

EFFECTIVE DATE:
November 1, 2017

ACCESS SERVICE

7. Special Access Service (Cont'd)

7.5 Rates and Charges (Cont'd)

7.5.14 Special Access Premier Term Discount Plan Cont'd)

(C)

(C) Reserved for Future Use (Cont'd)

(D)

(D)

ISSUE DATE:
October 17, 2017

Issued Under Transmittal No. 96
Vice President-Regulatory Operations
100 CenturyLink Drive
Monroe, Louisiana 71203

EFFECTIVE DATE:
November 1, 2017

ACCESS SERVICE

7. Special Access Service (Cont'd)

7.5 Rates and Charges (Cont'd)

7.5.14 Special Access Premier Term Discount Plan Cont'd)

(C)

(C) Reserved for Future Use (Cont'd)

(D)

(D)

ISSUE DATE:
October 17, 2017

Issued Under Transmittal No. 96
Vice President-Regulatory Operations
100 CenturyLink Drive
Monroe, Louisiana 71203

EFFECTIVE DATE:
November 1, 2017

ACCESS SERVICE

7. Special Access Service (Cont'd)

7.5 Rates and Charges (Cont'd)

7.5.14 Special Access Premier Term Discount Plan Cont'd)

(C)

(D) Reserved for Future Use (Cont'd)

(D)

(D)

ISSUE DATE:
October 17, 2017

Issued Under Transmittal No. 96
Vice President-Regulatory Operations
100 CenturyLink Drive
Monroe, Louisiana 71203

EFFECTIVE DATE:
November 1, 2017

ACCESS SERVICE

7. Special Access Service (Cont'd)

7.5 Rates and Charges (Cont'd)

7.5.14 Special Access Premier Term Discount Plan Cont'd)

(C)

(E) Reserved for Future Use

(D)

(D)

7.5.15 Reserved for Future Use

7.5.16 Reserved for Future Use

ISSUE DATE:
October 17, 2017

Issued Under Transmittal No. 96
Vice President-Regulatory Operations
100 CenturyLink Drive
Monroe, Louisiana 71203

EFFECTIVE DATE:
November 1, 2017

ACCESS SERVICE

7. Special Access Service (Cont'd)

7.5 Rates and Charges (Cont'd)

7.5.17 Reserved for Future Use

(C)

(D)

(D)

ISSUE DATE:
October 17, 2017

Issued Under Transmittal No. 96
Vice President-Regulatory Operations
100 CenturyLink Drive
Monroe, Louisiana 71203

EFFECTIVE DATE:
November 1, 2017

ACCESS SERVICE

7. Special Access Service (Cont'd)

7.5 Rates and Charges (Cont'd)

7.5.18 ⁽¹⁾

(D)

⁽¹⁾ The CenturyLink services previously identified on this page are no longer offered under tariff. Effective March 13, 2015 the Commission granted forbearance from dominant carrier regulation of these services. http://transition.fcc.gov/Daily_Releases/Daily_Business/2015/db0316/DOC-332526A1.pdf
The rates, terms and conditions associated with these services are now available at:
<http://www.centurylink.com/Pages/AboutUs/Legal/Tariffs/displayTariffLandingPage.html>

(D)

ISSUE DATE:
April 16, 2015

Issued Under Transmittal No. 69
Vice President-Regulatory Operations
100 CenturyLink Drive
Monroe, Louisiana 71203

EFFECTIVE DATE:
May 1, 2015

ACCESS SERVICE

- 7. Special Access Service (Cont'd)
- 7.5 Rates and Charges (Cont'd)
- 7.5.18 ⁽¹⁾

(D)

⁽¹⁾ The CenturyLink services previously identified on this page are no longer offered under tariff. Effective March 13, 2015 the Commission granted forbearance from dominant carrier regulation of these services. http://transition.fcc.gov/Daily_Releases/Daily_Business/2015/db0316/DOC-332526A1.pdf
The rates, terms and conditions associated with these services are now available at:
<http://www.centurylink.com/Pages/AboutUs/Legal/Tariffs/displayTariffLandingPage.html>

(D)

ISSUE DATE:
April 16, 2015

Issued Under Transmittal No. 69
Vice President-Regulatory Operations
100 CenturyLink Drive
Monroe, Louisiana 71203

EFFECTIVE DATE:
May 1, 2015

ACCESS SERVICE

- 7. Special Access Service (Cont'd)
 - 7.5 Rates and Charges (Cont'd)
 - 7.5.18 ⁽¹⁾

(D)

⁽¹⁾ The CenturyLink services previously identified on this page are no longer offered under tariff. Effective March 13, 2015 the Commission granted forbearance from dominant carrier regulation of these services. http://transition.fcc.gov/Daily_Releases/Daily_Business/2015/db0316/DOC-332526A1.pdf
The rates, terms and conditions associated with these services are now available at:
<http://www.centurylink.com/Pages/AboutUs/Legal/Tariffs/displayTariffLandingPage.html>

(D)

ISSUE DATE:
April 16, 2015

Issued Under Transmittal No. 69
Vice President-Regulatory Operations
100 CenturyLink Drive
Monroe, Louisiana 71203

EFFECTIVE DATE:
May 1, 2015

ACCESS SERVICE

7. Special Access Service (Cont'd)

7.5 Rates and Charges (Cont'd)

7.5.18 ⁽¹⁾

(D)

⁽¹⁾ The CenturyLink services previously identified on this page are no longer offered under tariff. Effective March 13, 2015 the Commission granted forbearance from dominant carrier regulation of these services. http://transition.fcc.gov/Daily_Releases/Daily_Business/2015/db0316/DOC-332526A1.pdf
The rates, terms and conditions associated with these services are now available at:
<http://www.centurylink.com/Pages/AboutUs/Legal/Tariffs/displayTariffLandingPage.html>

(D)

ISSUE DATE:
April 16, 2015

Issued Under Transmittal No. 69
Vice President-Regulatory Operations
100 CenturyLink Drive
Monroe, Louisiana 71203

EFFECTIVE DATE:
May 1, 2015

ACCESS SERVICE

7. Special Access Service (Cont'd)

7.5 Rates and Charges (Cont'd)

7.5.18 ⁽¹⁾

(D)

⁽¹⁾ The CenturyLink services previously identified on this page are no longer offered under tariff. Effective March 13, 2015 the Commission granted forbearance from dominant carrier regulation of these services. http://transition.fcc.gov/Daily_Releases/Daily_Business/2015/db0316/DOC-332526A1.pdf
The rates, terms and conditions associated with these services are now available at:
<http://www.centurylink.com/Pages/AboutUs/Legal/Tariffs/displayTariffLandingPage.html>

(D)

ISSUE DATE:
April 16, 2015

Issued Under Transmittal No. 69
Vice President-Regulatory Operations
100 CenturyLink Drive
Monroe, Louisiana 71203

EFFECTIVE DATE:
May 1, 2015

ACCESS SERVICE

- 7. Special Access Service (Cont'd)
- 7.5 Rates and Charges (Cont'd)
- 7.5.18 ⁽¹⁾

(D)

(D)

⁽¹⁾ The CenturyLink services previously identified on this page are no longer offered under tariff. Effective March 13, 2015 the Commission granted forbearance from dominant carrier regulation of these services. http://transition.fcc.gov/Daily_Releases/Daily_Business/2015/db0316/DOC-332526A1.pdf
The rates, terms and conditions associated with these services are now available at:
<http://www.centurylink.com/Pages/AboutUs/Legal/Tariffs/displayTariffLandingPage.html>

ISSUE DATE:
April 16, 2015

Issued Under Transmittal No. 69
Vice President-Regulatory Operations
100 CenturyLink Drive
Monroe, Louisiana 71203

EFFECTIVE DATE:
May 1, 2015

ACCESS SERVICE

- 7. Special Access Service (Cont'd)
 - 7.5 Rates and Charges (Cont'd)
 - 7.5.18 ⁽¹⁾

(D)

(D)

⁽¹⁾ The CenturyLink services previously identified on this page are no longer offered under tariff. Effective March 13, 2015 the Commission granted forbearance from dominant carrier regulation of these services. http://transition.fcc.gov/Daily_Releases/Daily_Business/2015/db0316/DOC-332526A1.pdf
The rates, terms and conditions associated with these services are now available at:
<http://www.centurylink.com/Pages/AboutUs/Legal/Tariffs/displayTariffLandingPage.html>

ISSUE DATE:
April 16, 2015

Issued Under Transmittal No. 69
Vice President-Regulatory Operations
100 CenturyLink Drive
Monroe, Louisiana 71203

EFFECTIVE DATE:
May 1, 2015

ACCESS SERVICE

- 7. Special Access Service (Cont'd)
- 7.5 Rates and Charges (Cont'd)
- 7.5.18 ⁽¹⁾

(D)

⁽¹⁾ The CenturyLink services previously identified on this page are no longer offered under tariff. Effective March 13, 2015 the Commission granted forbearance from dominant carrier regulation of these services. http://transition.fcc.gov/Daily_Releases/Daily_Business/2015/db0316/DOC-332526A1.pdf
The rates, terms and conditions associated with these services are now available at:
<http://www.centurylink.com/Pages/AboutUs/Legal/Tariffs/displayTariffLandingPage.html>

(D)

ISSUE DATE:
April 16, 2015

Issued Under Transmittal No. 69
Vice President-Regulatory Operations
100 CenturyLink Drive
Monroe, Louisiana 71203

EFFECTIVE DATE:
May 1, 2015

ACCESS SERVICE

7. Special Access Service (Cont'd)

7.5 Rates and Charges (Cont'd)

7.5.18 ⁽¹⁾

(D)

⁽¹⁾ The CenturyLink services previously identified on this page are no longer offered under tariff. Effective March 13, 2015 the Commission granted forbearance from dominant carrier regulation of these services. http://transition.fcc.gov/Daily_Releases/Daily_Business/2015/db0316/DOC-332526A1.pdf
The rates, terms and conditions associated with these services are now available at:
<http://www.centurylink.com/Pages/AboutUs/Legal/Tariffs/displayTariffLandingPage.html>

(D)

ISSUE DATE:
April 16, 2015

Issued Under Transmittal No. 69
Vice President-Regulatory Operations
100 CenturyLink Drive
Monroe, Louisiana 71203

EFFECTIVE DATE:
May 1, 2015

ACCESS SERVICE

- 7. Special Access Service (Cont'd)
 - 7.5 Rates and Charges (Cont'd)
 - 7.5.18 ⁽¹⁾

(D)

⁽¹⁾ The CenturyLink services previously identified on this page are no longer offered under tariff. Effective March 13, 2015 the Commission granted forbearance from dominant carrier regulation of these services. http://transition.fcc.gov/Daily_Releases/Daily_Business/2015/db0316/DOC-332526A1.pdf
The rates, terms and conditions associated with these services are now available at:
<http://www.centurylink.com/Pages/AboutUs/Legal/Tariffs/displayTariffLandingPage.html>

(D)

ISSUE DATE:
April 16, 2015

Issued Under Transmittal No. 69
Vice President-Regulatory Operations
100 CenturyLink Drive
Monroe, Louisiana 71203

EFFECTIVE DATE:
May 1, 2015

ACCESS SERVICE

- 7. Special Access Service (Cont'd)
- 7.5 Rates and Charges (Cont'd)
- 7.5.18 ⁽¹⁾

(D)

⁽¹⁾ The CenturyLink services previously identified on this page are no longer offered under tariff. Effective March 13, 2015 the Commission granted forbearance from dominant carrier regulation of these services. http://transition.fcc.gov/Daily_Releases/Daily_Business/2015/db0316/DOC-332526A1.pdf
The rates, terms and conditions associated with these services are now available at:
<http://www.centurylink.com/Pages/AboutUs/Legal/Tariffs/displayTariffLandingPage.html>

(D)

ISSUE DATE:
April 16, 2015

Issued Under Transmittal No. 69
Vice President-Regulatory Operations
100 CenturyLink Drive
Monroe, Louisiana 71203

EFFECTIVE DATE:
May 1, 2015

ACCESS SERVICE

7. Special Access Service (Cont'd)

7.5 Rates and Charges (Cont'd)

7.5.18 ⁽¹⁾

(D)

⁽¹⁾ The CenturyLink services previously identified on this page are no longer offered under tariff. Effective March 13, 2015 the Commission granted forbearance from dominant carrier regulation of these services. http://transition.fcc.gov/Daily_Releases/Daily_Business/2015/db0316/DOC-332526A1.pdf
The rates, terms and conditions associated with these services are now available at:
<http://www.centurylink.com/Pages/AboutUs/Legal/Tariffs/displayTariffLandingPage.html>

(D)

ISSUE DATE:
April 16, 2015

Issued Under Transmittal No. 69
Vice President-Regulatory Operations
100 CenturyLink Drive
Monroe, Louisiana 71203

EFFECTIVE DATE:
May 1, 2015

ACCESS SERVICE

7. Special Access Service (Cont'd)

7.5 Rates and Charges (Cont'd)

7.5.18 ⁽¹⁾

(D)

⁽¹⁾ The CenturyLink services previously identified on this page are no longer offered under tariff. Effective March 13, 2015 the Commission granted forbearance from dominant carrier regulation of these services. http://transition.fcc.gov/Daily_Releases/Daily_Business/2015/db0316/DOC-332526A1.pdf
The rates, terms and conditions associated with these services are now available at:
<http://www.centurylink.com/Pages/AboutUs/Legal/Tariffs/displayTariffLandingPage.html>

(D)

ISSUE DATE:
April 16, 2015

Issued Under Transmittal No. 69
Vice President-Regulatory Operations
100 CenturyLink Drive
Monroe, Louisiana 71203

EFFECTIVE DATE:
May 1, 2015

ACCESS SERVICE

- 7. Special Access Service (Cont'd)
 - 7.5 Rates and Charges (Cont'd)
 - 7.5.18 ⁽¹⁾

(D)

⁽¹⁾ The CenturyLink services previously identified on this page are no longer offered under tariff. Effective March 13, 2015 the Commission granted forbearance from dominant carrier regulation of these services. http://transition.fcc.gov/Daily_Releases/Daily_Business/2015/db0316/DOC-332526A1.pdf
The rates, terms and conditions associated with these services are now available at:
<http://www.centurylink.com/Pages/AboutUs/Legal/Tariffs/displayTariffLandingPage.html>

(D)

ISSUE DATE:
April 16, 2015

Issued Under Transmittal No. 69
Vice President-Regulatory Operations
100 CenturyLink Drive
Monroe, Louisiana 71203

EFFECTIVE DATE:
May 1, 2015

ACCESS SERVICE

- 7. Special Access Service (Cont'd)
- 7.5 Rates and Charges (Cont'd)
- 7.5.18 ⁽¹⁾

(D)

⁽¹⁾ The CenturyLink services previously identified on this page are no longer offered under tariff. Effective March 13, 2015 the Commission granted forbearance from dominant carrier regulation of these services. http://transition.fcc.gov/Daily_Releases/Daily_Business/2015/db0316/DOC-332526A1.pdf
The rates, terms and conditions associated with these services are now available at:
<http://www.centurylink.com/Pages/AboutUs/Legal/Tariffs/displayTariffLandingPage.html>

(D)

ISSUE DATE:
April 16, 2015

Issued Under Transmittal No. 69
Vice President-Regulatory Operations
100 CenturyLink Drive
Monroe, Louisiana 71203

EFFECTIVE DATE:
May 1, 2015

ACCESS SERVICE

- 7. Special Access Service (Cont'd)
 - 7.5 Rates and Charges (Cont'd)
 - 7.5.18 ⁽¹⁾

(D)

⁽¹⁾ The CenturyLink services previously identified on this page are no longer offered under tariff. Effective March 13, 2015 the Commission granted forbearance from dominant carrier regulation of these services. http://transition.fcc.gov/Daily_Releases/Daily_Business/2015/db0316/DOC-332526A1.pdf
The rates, terms and conditions associated with these services are now available at:
<http://www.centurylink.com/Pages/AboutUs/Legal/Tariffs/displayTariffLandingPage.html>

(D)

ISSUE DATE:
April 16, 2015

Issued Under Transmittal No. 69
Vice President-Regulatory Operations
100 CenturyLink Drive
Monroe, Louisiana 71203

EFFECTIVE DATE:
May 1, 2015

ACCESS SERVICE

- 7. Special Access Service (Cont'd)
 - 7.5 Rates and Charges (Cont'd)
 - 7.5.18 ⁽¹⁾

(D)

⁽¹⁾ The CenturyLink services previously identified on this page are no longer offered under tariff. Effective March 13, 2015 the Commission granted forbearance from dominant carrier regulation of these services. http://transition.fcc.gov/Daily_Releases/Daily_Business/2015/db0316/DOC-332526A1.pdf
The rates, terms and conditions associated with these services are now available at:
<http://www.centurylink.com/Pages/AboutUs/Legal/Tariffs/displayTariffLandingPage.html>

(D)

ISSUE DATE:
April 16, 2015

Issued Under Transmittal No. 69
Vice President-Regulatory Operations
100 CenturyLink Drive
Monroe, Louisiana 71203

EFFECTIVE DATE:
May 1, 2015

ACCESS SERVICE

7. Special Access Service (Cont'd)

7.5 Rates and Charges (Cont'd)

7.5.18 ⁽¹⁾

(D)

⁽¹⁾ The CenturyLink services previously identified on this page are no longer offered under tariff. Effective March 13, 2015 the Commission granted forbearance from dominant carrier regulation of these services. http://transition.fcc.gov/Daily_Releases/Daily_Business/2015/db0316/DOC-332526A1.pdf
The rates, terms and conditions associated with these services are now available at:
<http://www.centurylink.com/Pages/AboutUs/Legal/Tariffs/displayTariffLandingPage.html>

(D)

ISSUE DATE:
April 16, 2015

Issued Under Transmittal No. 69
Vice President-Regulatory Operations
100 CenturyLink Drive
Monroe, Louisiana 71203

EFFECTIVE DATE:
May 1, 2015

ACCESS SERVICE

7. Special Access Service (Cont'd)

7.5 Rates and Charges (Cont'd)

7.5.18 ⁽¹⁾

(D)

⁽¹⁾ The CenturyLink services previously identified on this page are no longer offered under tariff. Effective March 13, 2015 the Commission granted forbearance from dominant carrier regulation of these services. http://transition.fcc.gov/Daily_Releases/Daily_Business/2015/db0316/DOC-332526A1.pdf
The rates, terms and conditions associated with these services are now available at:
<http://www.centurylink.com/Pages/AboutUs/Legal/Tariffs/displayTariffLandingPage.html>

(D)

ISSUE DATE:
April 16, 2015

Issued Under Transmittal No. 69
Vice President-Regulatory Operations
100 CenturyLink Drive
Monroe, Louisiana 71203

EFFECTIVE DATE:
May 1, 2015

ACCESS SERVICE

7. Special Access Service (Cont'd)

7.5 Rates and Charges (Cont'd)

7.5.18 ⁽¹⁾

(D)

(1) The CenturyLink services previously identified on this page are no longer offered under tariff. Effective March 13, 2015 the Commission granted forbearance from dominant carrier regulation of these services. http://transition.fcc.gov/Daily_Releases/Daily_Business/2015/db0316/DOC-332526A1.pdf
The rates, terms and conditions associated with these services are now available at:
<http://www.centurylink.com/Pages/AboutUs/Legal/Tariffs/displayTariffLandingPage.html>

(D)

ISSUE DATE:
April 16, 2015

Issued Under Transmittal No. 69
Vice President-Regulatory Operations
100 CenturyLink Drive
Monroe, Louisiana 71203

EFFECTIVE DATE:
May 1, 2015

ACCESS SERVICE

7. Special Access Service (Cont'd)

7.5 Rates and Charges (Cont'd)

7.5.18 ⁽¹⁾

(D)

⁽¹⁾ The CenturyLink services previously identified on this page are no longer offered under tariff. Effective March 13, 2015 the Commission granted forbearance from dominant carrier regulation of these services. http://transition.fcc.gov/Daily_Releases/Daily_Business/2015/db0316/DOC-332526A1.pdf
The rates, terms and conditions associated with these services are now available at:
<http://www.centurylink.com/Pages/AboutUs/Legal/Tariffs/displayTariffLandingPage.html>

(D)

ISSUE DATE:
April 16, 2015

Issued Under Transmittal No. 69
Vice President-Regulatory Operations
100 CenturyLink Drive
Monroe, Louisiana 71203

EFFECTIVE DATE:
May 1, 2015

ACCESS SERVICE

- 7. Special Access Service (Cont'd)
 - 7.5 Rates and Charges (Cont'd)
 - 7.5.18 ⁽¹⁾

(D)

(D)

⁽¹⁾ The CenturyLink services previously identified on this page are no longer offered under tariff. Effective March 13, 2015 the Commission granted forbearance from dominant carrier regulation of these services. http://transition.fcc.gov/Daily_Releases/Daily_Business/2015/db0316/DOC-332526A1.pdf
The rates, terms and conditions associated with these services are now available at:
<http://www.centurylink.com/Pages/AboutUs/Legal/Tariffs/displayTariffLandingPage.html>

ISSUE DATE:
April 16, 2015

Issued Under Transmittal No. 69
Vice President-Regulatory Operations
100 CenturyLink Drive
Monroe, Louisiana 71203

EFFECTIVE DATE:
May 1, 2015

ACCESS SERVICE

- 7. Special Access Service (Cont'd)
 - 7.5 Rates and Charges (Cont'd)
 - 7.5.18 ⁽¹⁾

(D)

(D)

⁽¹⁾ The CenturyLink services previously identified on this page are no longer offered under tariff. Effective March 13, 2015 the Commission granted forbearance from dominant carrier regulation of these services. http://transition.fcc.gov/Daily_Releases/Daily_Business/2015/db0316/DOC-332526A1.pdf
The rates, terms and conditions associated with these services are now available at:
<http://www.centurylink.com/Pages/AboutUs/Legal/Tariffs/displayTariffLandingPage.html>

ISSUE DATE:
April 16, 2015

Issued Under Transmittal No. 69
Vice President-Regulatory Operations
100 CenturyLink Drive
Monroe, Louisiana 71203

EFFECTIVE DATE:
May 1, 2015

ACCESS SERVICE

- 7. Special Access Service (Cont'd)
- 7.5 Rates and Charges (Cont'd)
- 7.5.18 ⁽¹⁾

(D)

(D)

⁽¹⁾ The CenturyLink services previously identified on this page are no longer offered under tariff. Effective March 13, 2015 the Commission granted forbearance from dominant carrier regulation of these services. http://transition.fcc.gov/Daily_Releases/Daily_Business/2015/db0316/DOC-332526A1.pdf
The rates, terms and conditions associated with these services are now available at:
<http://www.centurylink.com/Pages/AboutUs/Legal/Tariffs/displayTariffLandingPage.html>

ISSUE DATE:
April 16, 2015

Issued Under Transmittal No. 69
Vice President-Regulatory Operations
100 CenturyLink Drive
Monroe, Louisiana 71203

EFFECTIVE DATE:
May 1, 2015

ACCESS SERVICE

- 7. Special Access Service (Cont'd)
 - 7.5 Rates and Charges (Cont'd)
 - 7.5.18 ⁽¹⁾

(D)

⁽¹⁾ The CenturyLink services previously identified on this page are no longer offered under tariff. Effective March 13, 2015 the Commission granted forbearance from dominant carrier regulation of these services. http://transition.fcc.gov/Daily_Releases/Daily_Business/2015/db0316/DOC-332526A1.pdf
The rates, terms and conditions associated with these services are now available at:
<http://www.centurylink.com/Pages/AboutUs/Legal/Tariffs/displayTariffLandingPage.html>

(D)

ISSUE DATE:
April 16, 2015

Issued Under Transmittal No. 69
Vice President-Regulatory Operations
100 CenturyLink Drive
Monroe, Louisiana 71203

EFFECTIVE DATE:
May 1, 2015

ACCESS SERVICE

7. Special Access Service (Cont'd)

7.5 Rates and Charges (Cont'd)

7.5.18 ⁽¹⁾

(D)

⁽¹⁾ The CenturyLink services previously identified on this page are no longer offered under tariff. Effective March 13, 2015 the Commission granted forbearance from dominant carrier regulation of these services. http://transition.fcc.gov/Daily_Releases/Daily_Business/2015/db0316/DOC-332526A1.pdf
The rates, terms and conditions associated with these services are now available at:
<http://www.centurylink.com/Pages/AboutUs/Legal/Tariffs/displayTariffLandingPage.html>

(D)

ISSUE DATE:
April 16, 2015

Issued Under Transmittal No. 69
Vice President-Regulatory Operations
100 CenturyLink Drive
Monroe, Louisiana 71203

EFFECTIVE DATE:
May 1, 2015

ACCESS SERVICE

- 7. Special Access Service (Cont'd)
 - 7.5 Rates and Charges (Cont'd)
 - 7.5.18 ⁽¹⁾

(D)

(D)

⁽¹⁾ The CenturyLink services previously identified on this page are no longer offered under tariff. Effective March 13, 2015 the Commission granted forbearance from dominant carrier regulation of these services. http://transition.fcc.gov/Daily_Releases/Daily_Business/2015/db0316/DOC-332526A1.pdf
The rates, terms and conditions associated with these services are now available at:
<http://www.centurylink.com/Pages/AboutUs/Legal/Tariffs/displayTariffLandingPage.html>

ISSUE DATE:
April 16, 2015

Issued Under Transmittal No. 69
Vice President-Regulatory Operations
100 CenturyLink Drive
Monroe, Louisiana 71203

EFFECTIVE DATE:
May 1, 2015

ACCESS SERVICE

- 7. Special Access Service (Cont'd)
- 7.5 Rates and Charges (Cont'd)
- 7.5.18 ⁽¹⁾

(D)

⁽¹⁾ The CenturyLink services previously identified on this page are no longer offered under tariff. Effective March 13, 2015 the Commission granted forbearance from dominant carrier regulation of these services. http://transition.fcc.gov/Daily_Releases/Daily_Business/2015/db0316/DOC-332526A1.pdf
The rates, terms and conditions associated with these services are now available at:
<http://www.centurylink.com/Pages/AboutUs/Legal/Tariffs/displayTariffLandingPage.html>

(D)

ISSUE DATE:
April 16, 2015

Issued Under Transmittal No. 69
Vice President-Regulatory Operations
100 CenturyLink Drive
Monroe, Louisiana 71203

EFFECTIVE DATE:
May 1, 2015

ACCESS SERVICE

- 7. Special Access Service (Cont'd)
- 7.5 Rates and Charges (Cont'd)
- 7.5.18 ⁽¹⁾

(D)

⁽¹⁾ The CenturyLink services previously identified on this page are no longer offered under tariff. Effective March 13, 2015 the Commission granted forbearance from dominant carrier regulation of these services. http://transition.fcc.gov/Daily_Releases/Daily_Business/2015/db0316/DOC-332526A1.pdf
The rates, terms and conditions associated with these services are now available at:
<http://www.centurylink.com/Pages/AboutUs/Legal/Tariffs/displayTariffLandingPage.html>

(D)

ISSUE DATE:
April 16, 2015

Issued Under Transmittal No. 69
Vice President-Regulatory Operations
100 CenturyLink Drive
Monroe, Louisiana 71203

EFFECTIVE DATE:
May 1, 2015

ACCESS SERVICE

- 7. Special Access Service (Cont'd)
 - 7.5 Rates and Charges (Cont'd)
 - 7.5.18 ⁽¹⁾

(D)

⁽¹⁾ The CenturyLink services previously identified on this page are no longer offered under tariff. Effective March 13, 2015 the Commission granted forbearance from dominant carrier regulation of these services. http://transition.fcc.gov/Daily_Releases/Daily_Business/2015/db0316/DOC-332526A1.pdf
The rates, terms and conditions associated with these services are now available at:
<http://www.centurylink.com/Pages/AboutUs/Legal/Tariffs/displayTariffLandingPage.html>

(D)

ISSUE DATE:
April 16, 2015

Issued Under Transmittal No. 69
Vice President-Regulatory Operations
100 CenturyLink Drive
Monroe, Louisiana 71203

EFFECTIVE DATE:
May 1, 2015

ACCESS SERVICE

- 7. Special Access Service (Cont'd)
- 7.5 Rates and Charges (Cont'd)
- 7.5.18 ⁽¹⁾

(D)

⁽¹⁾ The CenturyLink services previously identified on this page are no longer offered under tariff. Effective March 13, 2015 the Commission granted forbearance from dominant carrier regulation of these services. http://transition.fcc.gov/Daily_Releases/Daily_Business/2015/db0316/DOC-332526A1.pdf
The rates, terms and conditions associated with these services are now available at:
<http://www.centurylink.com/Pages/AboutUs/Legal/Tariffs/displayTariffLandingPage.html>

(D)

ISSUE DATE:
April 16, 2015

Issued Under Transmittal No. 69
Vice President-Regulatory Operations
100 CenturyLink Drive
Monroe, Louisiana 71203

EFFECTIVE DATE:
May 1, 2015

ACCESS SERVICE

- 7. Special Access Service (Cont'd)
 - 7.5 Rates and Charges (Cont'd)
 - 7.5.18 ⁽¹⁾

(D)

(D)

⁽¹⁾ The CenturyLink services previously identified on this page are no longer offered under tariff. Effective March 13, 2015 the Commission granted forbearance from dominant carrier regulation of these services. http://transition.fcc.gov/Daily_Releases/Daily_Business/2015/db0316/DOC-332526A1.pdf
The rates, terms and conditions associated with these services are now available at:
<http://www.centurylink.com/Pages/AboutUs/Legal/Tariffs/displayTariffLandingPage.html>

ISSUE DATE:
April 16, 2015

Issued Under Transmittal No. 69
Vice President-Regulatory Operations
100 CenturyLink Drive
Monroe, Louisiana 71203

EFFECTIVE DATE:
May 1, 2015

ACCESS SERVICE

- 7. Special Access Service (Cont'd)
- 7.5 Rates and Charges (Cont'd)
- 7.5.18 ⁽¹⁾

(D)

⁽¹⁾ The CenturyLink services previously identified on this page are no longer offered under tariff. Effective March 13, 2015 the Commission granted forbearance from dominant carrier regulation of these services. http://transition.fcc.gov/Daily_Releases/Daily_Business/2015/db0316/DOC-332526A1.pdf
The rates, terms and conditions associated with these services are now available at:
<http://www.centurylink.com/Pages/AboutUs/Legal/Tariffs/displayTariffLandingPage.html>

(D)

ISSUE DATE:
April 16, 2015

Issued Under Transmittal No. 69
Vice President-Regulatory Operations
100 CenturyLink Drive
Monroe, Louisiana 71203

EFFECTIVE DATE:
May 1, 2015

ACCESS SERVICE

- 7. Special Access Service (Cont'd)
- 7.5 Rates and Charges (Cont'd)
- 7.5.18 ⁽¹⁾

(D)

⁽¹⁾ The CenturyLink services previously identified on this page are no longer offered under tariff. Effective March 13, 2015 the Commission granted forbearance from dominant carrier regulation of these services. http://transition.fcc.gov/Daily_Releases/Daily_Business/2015/db0316/DOC-332526A1.pdf
The rates, terms and conditions associated with these services are now available at:
<http://www.centurylink.com/Pages/AboutUs/Legal/Tariffs/displayTariffLandingPage.html>

(D)

ISSUE DATE:
April 16, 2015

Issued Under Transmittal No. 69
Vice President-Regulatory Operations
100 CenturyLink Drive
Monroe, Louisiana 71203

EFFECTIVE DATE:
May 1, 2015

ACCESS SERVICE

- 7. Special Access Service (Cont'd)
 - 7.5 Rates and Charges (Cont'd)
 - 7.5.18 ⁽¹⁾

(D)

⁽¹⁾ The CenturyLink services previously identified on this page are no longer offered under tariff. Effective March 13, 2015 the Commission granted forbearance from dominant carrier regulation of these services. http://transition.fcc.gov/Daily_Releases/Daily_Business/2015/db0316/DOC-332526A1.pdf
The rates, terms and conditions associated with these services are now available at:
<http://www.centurylink.com/Pages/AboutUs/Legal/Tariffs/displayTariffLandingPage.html>

(D)

ISSUE DATE:
April 16, 2015

Issued Under Transmittal No. 69
Vice President-Regulatory Operations
100 CenturyLink Drive
Monroe, Louisiana 71203

EFFECTIVE DATE:
May 1, 2015

ACCESS SERVICE

- 7. Special Access Service (Cont'd)
- 7.5 Rates and Charges (Cont'd)
- 7.5.18 ⁽¹⁾

(D)

⁽¹⁾ The CenturyLink services previously identified on this page are no longer offered under tariff. Effective March 13, 2015 the Commission granted forbearance from dominant carrier regulation of these services. http://transition.fcc.gov/Daily_Releases/Daily_Business/2015/db0316/DOC-332526A1.pdf
The rates, terms and conditions associated with these services are now available at:
<http://www.centurylink.com/Pages/AboutUs/Legal/Tariffs/displayTariffLandingPage.html>

(D)

ISSUE DATE:
April 16, 2015

Issued Under Transmittal No. 69
Vice President-Regulatory Operations
100 CenturyLink Drive
Monroe, Louisiana 71203

EFFECTIVE DATE:
May 1, 2015

ACCESS SERVICE

- 7. Special Access Service (Cont'd)
 - 7.5 Rates and Charges (Cont'd)
 - 7.5.18 ⁽¹⁾

(D)

⁽¹⁾ The CenturyLink services previously identified on this page are no longer offered under tariff. Effective March 13, 2015 the Commission granted forbearance from dominant carrier regulation of these services. http://transition.fcc.gov/Daily_Releases/Daily_Business/2015/db0316/DOC-332526A1.pdf
The rates, terms and conditions associated with these services are now available at:
<http://www.centurylink.com/Pages/AboutUs/Legal/Tariffs/displayTariffLandingPage.html>

(D)

ISSUE DATE:
April 16, 2015

Issued Under Transmittal No. 69
Vice President-Regulatory Operations
100 CenturyLink Drive
Monroe, Louisiana 71203

EFFECTIVE DATE:
May 1, 2015

ACCESS SERVICE

- 7. Special Access Service (Cont'd)
- 7.5 Rates and Charges (Cont'd)
- 7.5.18 ⁽¹⁾

(D)

⁽¹⁾ The CenturyLink services previously identified on this page are no longer offered under tariff. Effective March 13, 2015 the Commission granted forbearance from dominant carrier regulation of these services. http://transition.fcc.gov/Daily_Releases/Daily_Business/2015/db0316/DOC-332526A1.pdf
The rates, terms and conditions associated with these services are now available at:
<http://www.centurylink.com/Pages/AboutUs/Legal/Tariffs/displayTariffLandingPage.html>

(D)

ISSUE DATE:
April 16, 2015

Issued Under Transmittal No. 69
Vice President-Regulatory Operations
100 CenturyLink Drive
Monroe, Louisiana 71203

EFFECTIVE DATE:
May 1, 2015

ACCESS SERVICE

7. Special Access Service (Cont'd)

7.5 Rates and Charges (Cont'd)

7.5.18 ⁽¹⁾

(D)

⁽¹⁾ The CenturyLink services previously identified on this page are no longer offered under tariff. Effective March 13, 2015 the Commission granted forbearance from dominant carrier regulation of these services. http://transition.fcc.gov/Daily_Releases/Daily_Business/2015/db0316/DOC-332526A1.pdf
The rates, terms and conditions associated with these services are now available at:
<http://www.centurylink.com/Pages/AboutUs/Legal/Tariffs/displayTariffLandingPage.html>

(D)

ISSUE DATE:
April 16, 2015

Issued Under Transmittal No. 69
Vice President-Regulatory Operations
100 CenturyLink Drive
Monroe, Louisiana 71203

EFFECTIVE DATE:
May 1, 2015

ACCESS SERVICE

7. Special Access Service (Cont'd)

7.5 Rates and Charges (Cont'd)

7.5.18 ⁽¹⁾

(D)

⁽¹⁾ The CenturyLink services previously identified on this page are no longer offered under tariff. Effective March 13, 2015 the Commission granted forbearance from dominant carrier regulation of these services. http://transition.fcc.gov/Daily_Releases/Daily_Business/2015/db0316/DOC-332526A1.pdf
The rates, terms and conditions associated with these services are now available at:
<http://www.centurylink.com/Pages/AboutUs/Legal/Tariffs/displayTariffLandingPage.html>

(D)

ISSUE DATE:
April 16, 2015

Issued Under Transmittal No. 69
Vice President-Regulatory Operations
100 CenturyLink Drive
Monroe, Louisiana 71203

EFFECTIVE DATE:
May 1, 2015

ACCESS SERVICE

7. Special Access Service (Cont'd)

7.5 Rates and Charges (Cont'd)

7.5.18 ⁽¹⁾

(D)

⁽¹⁾ The CenturyLink services previously identified on this page are no longer offered under tariff. Effective March 13, 2015 the Commission granted forbearance from dominant carrier regulation of these services. http://transition.fcc.gov/Daily_Releases/Daily_Business/2015/db0316/DOC-332526A1.pdf
The rates, terms and conditions associated with these services are now available at:
<http://www.centurylink.com/Pages/AboutUs/Legal/Tariffs/displayTariffLandingPage.html>

(D)

ISSUE DATE:
April 16, 2015

Issued Under Transmittal No. 69
Vice President-Regulatory Operations
100 CenturyLink Drive
Monroe, Louisiana 71203

EFFECTIVE DATE:
May 1, 2015

ACCESS SERVICE

- 7. Special Access Service (Cont'd)
- 7.5 Rates and Charges (Cont'd)
- 7.5.18 ⁽¹⁾

(D)

⁽¹⁾ The CenturyLink services previously identified on this page are no longer offered under tariff. Effective March 13, 2015 the Commission granted forbearance from dominant carrier regulation of these services. http://transition.fcc.gov/Daily_Releases/Daily_Business/2015/db0316/DOC-332526A1.pdf
The rates, terms and conditions associated with these services are now available at:
<http://www.centurylink.com/Pages/AboutUs/Legal/Tariffs/displayTariffLandingPage.html>

(D)

ISSUE DATE:
April 16, 2015

Issued Under Transmittal No. 69
Vice President-Regulatory Operations
100 CenturyLink Drive
Monroe, Louisiana 71203

EFFECTIVE DATE:
May 1, 2015

ACCESS SERVICE

7. Special Access Service (Cont'd)

7.5 Rates and Charges (Cont'd)

7.5.18 ⁽¹⁾

(D)

⁽¹⁾ The CenturyLink services previously identified on this page are no longer offered under tariff. Effective March 13, 2015 the Commission granted forbearance from dominant carrier regulation of these services. http://transition.fcc.gov/Daily_Releases/Daily_Business/2015/db0316/DOC-332526A1.pdf
The rates, terms and conditions associated with these services are now available at:
<http://www.centurylink.com/Pages/AboutUs/Legal/Tariffs/displayTariffLandingPage.html>

(D)

ACCESS SERVICE

7. Special Access Service (Cont'd)

7.5 Rates and Charges (Cont'd)

7.5.18 ⁽¹⁾

(D)

⁽¹⁾ The CenturyLink services previously identified on this page are no longer offered under tariff. Effective March 13, 2015 the Commission granted forbearance from dominant carrier regulation of these services. http://transition.fcc.gov/Daily_Releases/Daily_Business/2015/db0316/DOC-332526A1.pdf
The rates, terms and conditions associated with these services are now available at:
<http://www.centurylink.com/Pages/AboutUs/Legal/Tariffs/displayTariffLandingPage.html>

(D)

ISSUE DATE:
April 16, 2015

Issued Under Transmittal No. 69
Vice President-Regulatory Operations
100 CenturyLink Drive
Monroe, Louisiana 71203

EFFECTIVE DATE:
May 1, 2015

ACCESS SERVICE

7. Special Access Service (Cont'd)

7.5 Rates and Charges (Cont'd)

7.5.18 ⁽¹⁾

(D)

⁽¹⁾ The CenturyLink services previously identified on this page are no longer offered under tariff. Effective March 13, 2015 the Commission granted forbearance from dominant carrier regulation of these services. http://transition.fcc.gov/Daily_Releases/Daily_Business/2015/db0316/DOC-332526A1.pdf
The rates, terms and conditions associated with these services are now available at:
<http://www.centurylink.com/Pages/AboutUs/Legal/Tariffs/displayTariffLandingPage.html>

(D)

ISSUE DATE:
April 16, 2015

Issued Under Transmittal No. 69
Vice President-Regulatory Operations
100 CenturyLink Drive
Monroe, Louisiana 71203

EFFECTIVE DATE:
May 1, 2015

ACCESS SERVICE

- 7. Special Access Service (Cont'd)
 - 7.5 Rates and Charges (Cont'd)
 - 7.5.18 ⁽¹⁾

(D)

(D)

⁽¹⁾ The CenturyLink services previously identified on this page are no longer offered under tariff. Effective March 13, 2015 the Commission granted forbearance from dominant carrier regulation of these services. http://transition.fcc.gov/Daily_Releases/Daily_Business/2015/db0316/DOC-332526A1.pdf
The rates, terms and conditions associated with these services are now available at:
<http://www.centurylink.com/Pages/AboutUs/Legal/Tariffs/displayTariffLandingPage.html>

ISSUE DATE:
April 16, 2015

Issued Under Transmittal No. 69
Vice President-Regulatory Operations
100 CenturyLink Drive
Monroe, Louisiana 71203

EFFECTIVE DATE:
May 1, 2015

ACCESS SERVICE

- 7. Special Access Service (Cont'd)
 - 7.5 Rates and Charges (Cont'd)
 - 7.5.18 ⁽¹⁾

(D)

⁽¹⁾ The CenturyLink services previously identified on this page are no longer offered under tariff. Effective March 13, 2015 the Commission granted forbearance from dominant carrier regulation of these services. http://transition.fcc.gov/Daily_Releases/Daily_Business/2015/db0316/DOC-332526A1.pdf
The rates, terms and conditions associated with these services are now available at:
<http://www.centurylink.com/Pages/AboutUs/Legal/Tariffs/displayTariffLandingPage.html>

(D)

ISSUE DATE:
April 16, 2015

Issued Under Transmittal No. 69
Vice President-Regulatory Operations
100 CenturyLink Drive
Monroe, Louisiana 71203

EFFECTIVE DATE:
May 1, 2015

ACCESS SERVICE

- 7. Special Access Service (Cont'd)
- 7.5 Rates and Charges (Cont'd)
- 7.5.18 ⁽¹⁾

(D)

⁽¹⁾ The CenturyLink services previously identified on this page are no longer offered under tariff. Effective March 13, 2015 the Commission granted forbearance from dominant carrier regulation of these services. http://transition.fcc.gov/Daily_Releases/Daily_Business/2015/db0316/DOC-332526A1.pdf
The rates, terms and conditions associated with these services are now available at:
<http://www.centurylink.com/Pages/AboutUs/Legal/Tariffs/displayTariffLandingPage.html>

(D)

ISSUE DATE:
April 16, 2015

Issued Under Transmittal No. 69
Vice President-Regulatory Operations
100 CenturyLink Drive
Monroe, Louisiana 71203

EFFECTIVE DATE:
May 1, 2015

ACCESS SERVICE

- 7. Special Access Service (Cont'd)
- 7.5 Rates and Charges (Cont'd)
- 7.5.18 ⁽¹⁾

(D)

⁽¹⁾ The CenturyLink services previously identified on this page are no longer offered under tariff. Effective March 13, 2015 the Commission granted forbearance from dominant carrier regulation of these services. http://transition.fcc.gov/Daily_Releases/Daily_Business/2015/db0316/DOC-332526A1.pdf
The rates, terms and conditions associated with these services are now available at:
<http://www.centurylink.com/Pages/AboutUs/Legal/Tariffs/displayTariffLandingPage.html>

(D)

ISSUE DATE:
April 16, 2015

Issued Under Transmittal No. 69
Vice President-Regulatory Operations
100 CenturyLink Drive
Monroe, Louisiana 71203

EFFECTIVE DATE:
May 1, 2015

ACCESS SERVICE

7. Special Access Service (Cont'd)

7.5 Rates and Charges (Cont'd)

7.5.18 ⁽¹⁾

(D)

⁽¹⁾ The CenturyLink services previously identified on this page are no longer offered under tariff. Effective March 13, 2015 the Commission granted forbearance from dominant carrier regulation of these services. http://transition.fcc.gov/Daily_Releases/Daily_Business/2015/db0316/DOC-332526A1.pdf
The rates, terms and conditions associated with these services are now available at:
<http://www.centurylink.com/Pages/AboutUs/Legal/Tariffs/displayTariffLandingPage.html>

(D)

ISSUE DATE:
April 16, 2015

Issued Under Transmittal No. 69
Vice President-Regulatory Operations
100 CenturyLink Drive
Monroe, Louisiana 71203

EFFECTIVE DATE:
May 1, 2015

ACCESS SERVICE

7. Special Access Service (Cont'd)

7.5 Rates and Charges (Cont'd)

7.5.18 ⁽¹⁾

(D)

⁽¹⁾ The CenturyLink services previously identified on this page are no longer offered under tariff. Effective March 13, 2015 the Commission granted forbearance from dominant carrier regulation of these services. http://transition.fcc.gov/Daily_Releases/Daily_Business/2015/db0316/DOC-332526A1.pdf
The rates, terms and conditions associated with these services are now available at:
<http://www.centurylink.com/Pages/AboutUs/Legal/Tariffs/displayTariffLandingPage.html>

(D)

ISSUE DATE:
April 16, 2015

Issued Under Transmittal No. 69
Vice President-Regulatory Operations
100 CenturyLink Drive
Monroe, Louisiana 71203

EFFECTIVE DATE:
May 1, 2015

ACCESS SERVICE

- 7. Special Access Service (Cont'd)
 - 7.5 Rates and Charges (Cont'd)
 - 7.5.18 ⁽¹⁾

(D)

⁽¹⁾ The CenturyLink services previously identified on this page are no longer offered under tariff. Effective March 13, 2015 the Commission granted forbearance from dominant carrier regulation of these services. http://transition.fcc.gov/Daily_Releases/Daily_Business/2015/db0316/DOC-332526A1.pdf
The rates, terms and conditions associated with these services are now available at:
<http://www.centurylink.com/Pages/AboutUs/Legal/Tariffs/displayTariffLandingPage.html>

(D)

ISSUE DATE:
April 16, 2015

Issued Under Transmittal No. 69
Vice President-Regulatory Operations
100 CenturyLink Drive
Monroe, Louisiana 71203

EFFECTIVE DATE:
May 1, 2015

ACCESS SERVICE

- 7. Special Access Service (Cont'd)
 - 7.5 Rates and Charges (Cont'd)
 - 7.5.18 ⁽¹⁾

(D)

⁽¹⁾ The CenturyLink services previously identified on this page are no longer offered under tariff. Effective March 13, 2015 the Commission granted forbearance from dominant carrier regulation of these services. http://transition.fcc.gov/Daily_Releases/Daily_Business/2015/db0316/DOC-332526A1.pdf
The rates, terms and conditions associated with these services are now available at:
<http://www.centurylink.com/Pages/AboutUs/Legal/Tariffs/displayTariffLandingPage.html>

(D)

ISSUE DATE:
April 16, 2015

Issued Under Transmittal No. 69
Vice President-Regulatory Operations
100 CenturyLink Drive
Monroe, Louisiana 71203

EFFECTIVE DATE:
May 1, 2015

ACCESS SERVICE

- 7. Special Access Service (Cont'd)
- 7.5 Rates and Charges (Cont'd)
- 7.5.18 ⁽¹⁾

(D)

⁽¹⁾ The CenturyLink services previously identified on this page are no longer offered under tariff. Effective March 13, 2015 the Commission granted forbearance from dominant carrier regulation of these services. http://transition.fcc.gov/Daily_Releases/Daily_Business/2015/db0316/DOC-332526A1.pdf
The rates, terms and conditions associated with these services are now available at:
<http://www.centurylink.com/Pages/AboutUs/Legal/Tariffs/displayTariffLandingPage.html>

(D)

ISSUE DATE:
April 16, 2015

Issued Under Transmittal No. 69
Vice President-Regulatory Operations
100 CenturyLink Drive
Monroe, Louisiana 71203

EFFECTIVE DATE:
May 1, 2015

ACCESS SERVICE

- 7. Special Access Service (Cont'd)
- 7.5 Rates and Charges (Cont'd)
- 7.5.18 ⁽¹⁾

(D)

⁽¹⁾ The CenturyLink services previously identified on this page are no longer offered under tariff. Effective March 13, 2015 the Commission granted forbearance from dominant carrier regulation of these services. http://transition.fcc.gov/Daily_Releases/Daily_Business/2015/db0316/DOC-332526A1.pdf
The rates, terms and conditions associated with these services are now available at:
<http://www.centurylink.com/Pages/AboutUs/Legal/Tariffs/displayTariffLandingPage.html>

(D)

ISSUE DATE:
April 16, 2015

Issued Under Transmittal No. 69
Vice President-Regulatory Operations
100 CenturyLink Drive
Monroe, Louisiana 71203

EFFECTIVE DATE:
May 1, 2015

ACCESS SERVICE

- 7. Special Access Service (Cont'd)
- 7.5 Rates and Charges (Cont'd)
- 7.5.18 ⁽¹⁾

(D)

(D)

⁽¹⁾ The CenturyLink services previously identified on this page are no longer offered under tariff. Effective March 13, 2015 the Commission granted forbearance from dominant carrier regulation of these services. http://transition.fcc.gov/Daily_Releases/Daily_Business/2015/db0316/DOC-332526A1.pdf
The rates, terms and conditions associated with these services are now available at:
<http://www.centurylink.com/Pages/AboutUs/Legal/Tariffs/displayTariffLandingPage.html>

ISSUE DATE:
April 16, 2015

Issued Under Transmittal No. 69
Vice President-Regulatory Operations
100 CenturyLink Drive
Monroe, Louisiana 71203

EFFECTIVE DATE:
May 1, 2015

ACCESS SERVICE

7. Special Access Service (Cont'd)

7.5 Rates and Charges (Cont'd)

7.5.18 ⁽¹⁾

(D)

⁽¹⁾ The CenturyLink services previously identified on this page are no longer offered under tariff. Effective March 13, 2015 the Commission granted forbearance from dominant carrier regulation of these services. http://transition.fcc.gov/Daily_Releases/Daily_Business/2015/db0316/DOC-332526A1.pdf
The rates, terms and conditions associated with these services are now available at:
<http://www.centurylink.com/Pages/AboutUs/Legal/Tariffs/displayTariffLandingPage.html>

(D)

ISSUE DATE:
April 16, 2015

Issued Under Transmittal No. 69
Vice President-Regulatory Operations
100 CenturyLink Drive
Monroe, Louisiana 71203

EFFECTIVE DATE:
May 1, 2015

ACCESS SERVICE

7. Special Access Service (Cont'd)

7.5 Rates and Charges (Cont'd)

7.5.18 ⁽¹⁾

(D)

⁽¹⁾ The CenturyLink services previously identified on this page are no longer offered under tariff. Effective March 13, 2015 the Commission granted forbearance from dominant carrier regulation of these services. http://transition.fcc.gov/Daily_Releases/Daily_Business/2015/db0316/DOC-332526A1.pdf
The rates, terms and conditions associated with these services are now available at:
<http://www.centurylink.com/Pages/AboutUs/Legal/Tariffs/displayTariffLandingPage.html>

(D)

ISSUE DATE:
April 16, 2015

Issued Under Transmittal No. 69
Vice President-Regulatory Operations
100 CenturyLink Drive
Monroe, Louisiana 71203

EFFECTIVE DATE:
May 1, 2015

ACCESS SERVICE

- 7. Special Access Service (Cont'd)
 - 7.5 Rates and Charges (Cont'd)
 - 7.5.18 ⁽¹⁾

(D)

⁽¹⁾ The CenturyLink services previously identified on this page are no longer offered under tariff. Effective March 13, 2015 the Commission granted forbearance from dominant carrier regulation of these services. http://transition.fcc.gov/Daily_Releases/Daily_Business/2015/db0316/DOC-332526A1.pdf
The rates, terms and conditions associated with these services are now available at:
<http://www.centurylink.com/Pages/AboutUs/Legal/Tariffs/displayTariffLandingPage.html>

(D)

ISSUE DATE:
April 16, 2015

Issued Under Transmittal No. 69
Vice President-Regulatory Operations
100 CenturyLink Drive
Monroe, Louisiana 71203

EFFECTIVE DATE:
May 1, 2015

ACCESS SERVICE

- 7. Special Access Service (Cont'd)
- 7.5 Rates and Charges (Cont'd)
- 7.5.18 ⁽¹⁾

(D)

⁽¹⁾ The CenturyLink services previously identified on this page are no longer offered under tariff. Effective March 13, 2015 the Commission granted forbearance from dominant carrier regulation of these services. http://transition.fcc.gov/Daily_Releases/Daily_Business/2015/db0316/DOC-332526A1.pdf
The rates, terms and conditions associated with these services are now available at:
<http://www.centurylink.com/Pages/AboutUs/Legal/Tariffs/displayTariffLandingPage.html>

(D)

ISSUE DATE:
April 16, 2015

Issued Under Transmittal No. 69
Vice President-Regulatory Operations
100 CenturyLink Drive
Monroe, Louisiana 71203

EFFECTIVE DATE:
May 1, 2015

ACCESS SERVICE

7. Special Access Service (Cont'd)

7.5 Rates and Charges (Cont'd)

7.5.18 ⁽¹⁾

(D)

⁽¹⁾ The CenturyLink services previously identified on this page are no longer offered under tariff. Effective March 13, 2015 the Commission granted forbearance from dominant carrier regulation of these services. http://transition.fcc.gov/Daily_Releases/Daily_Business/2015/db0316/DOC-332526A1.pdf
The rates, terms and conditions associated with these services are now available at:
<http://www.centurylink.com/Pages/AboutUs/Legal/Tariffs/displayTariffLandingPage.html>

(D)

ISSUE DATE:
April 16, 2015

Issued Under Transmittal No. 69
Vice President-Regulatory Operations
100 CenturyLink Drive
Monroe, Louisiana 71203

EFFECTIVE DATE:
May 1, 2015

ACCESS SERVICE

- 7. Special Access Service (Cont'd)
 - 7.5 Rates and Charges (Cont'd)
 - 7.5.18 ⁽¹⁾

(D)

(D)

⁽¹⁾ The CenturyLink services previously identified on this page are no longer offered under tariff. Effective March 13, 2015 the Commission granted forbearance from dominant carrier regulation of these services. http://transition.fcc.gov/Daily_Releases/Daily_Business/2015/db0316/DOC-332526A1.pdf
The rates, terms and conditions associated with these services are now available at:
<http://www.centurylink.com/Pages/AboutUs/Legal/Tariffs/displayTariffLandingPage.html>

ACCESS SERVICE

7. Special Access Service (Cont'd)

7.5 Rates and Charges (Cont'd)

7.5.18 ⁽¹⁾

(D)

⁽¹⁾ The CenturyLink services previously identified on this page are no longer offered under tariff. Effective March 13, 2015 the Commission granted forbearance from dominant carrier regulation of these services. http://transition.fcc.gov/Daily_Releases/Daily_Business/2015/db0316/DOC-332526A1.pdf
The rates, terms and conditions associated with these services are now available at:
<http://www.centurylink.com/Pages/AboutUs/Legal/Tariffs/displayTariffLandingPage.html>

(D)

ISSUE DATE:
April 16, 2015

Issued Under Transmittal No. 69
Vice President-Regulatory Operations
100 CenturyLink Drive
Monroe, Louisiana 71203

EFFECTIVE DATE:
May 1, 2015

ACCESS SERVICE

- 7. Special Access Service (Cont'd)
 - 7.5 Rates and Charges (Cont'd)
 - 7.5.18 ⁽¹⁾

(D)

⁽¹⁾ The CenturyLink services previously identified on this page are no longer offered under tariff. Effective March 13, 2015 the Commission granted forbearance from dominant carrier regulation of these services. http://transition.fcc.gov/Daily_Releases/Daily_Business/2015/db0316/DOC-332526A1.pdf
The rates, terms and conditions associated with these services are now available at:
<http://www.centurylink.com/Pages/AboutUs/Legal/Tariffs/displayTariffLandingPage.html>

(D)

ISSUE DATE:
April 16, 2015

Issued Under Transmittal No. 69
Vice President-Regulatory Operations
100 CenturyLink Drive
Monroe, Louisiana 71203

EFFECTIVE DATE:
May 1, 2015

ACCESS SERVICE

7. Special Access Service (Cont'd)

7.5 Rates and Charges (Cont'd)

7.5.18 ⁽¹⁾

(D)

⁽¹⁾ The CenturyLink services previously identified on this page are no longer offered under tariff. Effective March 13, 2015 the Commission granted forbearance from dominant carrier regulation of these services. http://transition.fcc.gov/Daily_Releases/Daily_Business/2015/db0316/DOC-332526A1.pdf
The rates, terms and conditions associated with these services are now available at:
<http://www.centurylink.com/Pages/AboutUs/Legal/Tariffs/displayTariffLandingPage.html>

(D)

ISSUE DATE:
April 16, 2015

Issued Under Transmittal No. 69
Vice President-Regulatory Operations
100 CenturyLink Drive
Monroe, Louisiana 71203

EFFECTIVE DATE:
May 1, 2015

ACCESS SERVICE

7. Special Access Service (Cont'd)

7.5 Rates and Charges (Cont'd)

7.5.18 ⁽¹⁾

(D)

⁽¹⁾ The CenturyLink services previously identified on this page are no longer offered under tariff. Effective March 13, 2015 the Commission granted forbearance from dominant carrier regulation of these services. http://transition.fcc.gov/Daily_Releases/Daily_Business/2015/db0316/DOC-332526A1.pdf
The rates, terms and conditions associated with these services are now available at:
<http://www.centurylink.com/Pages/AboutUs/Legal/Tariffs/displayTariffLandingPage.html>

(D)

ISSUE DATE:
April 16, 2015

Issued Under Transmittal No. 69
Vice President-Regulatory Operations
100 CenturyLink Drive
Monroe, Louisiana 71203

EFFECTIVE DATE:
May 1, 2015

ACCESS SERVICE

- 7. Special Access Service (Cont'd)
 - 7.5 Rates and Charges (Cont'd)
 - 7.5.18 ⁽¹⁾

(D)

⁽¹⁾ The CenturyLink services previously identified on this page are no longer offered under tariff. Effective March 13, 2015 the Commission granted forbearance from dominant carrier regulation of these services. http://transition.fcc.gov/Daily_Releases/Daily_Business/2015/db0316/DOC-332526A1.pdf
The rates, terms and conditions associated with these services are now available at:
<http://www.centurylink.com/Pages/AboutUs/Legal/Tariffs/displayTariffLandingPage.html>

(D)

ISSUE DATE:
April 16, 2015

Issued Under Transmittal No. 69
Vice President-Regulatory Operations
100 CenturyLink Drive
Monroe, Louisiana 71203

EFFECTIVE DATE:
May 1, 2015

ACCESS SERVICE

- 7. Special Access Service (Cont'd)
- 7.5 Rates and Charges (Cont'd)
- 7.5.18 ⁽¹⁾

(D)

⁽¹⁾ The CenturyLink services previously identified on this page are no longer offered under tariff. Effective March 13, 2015 the Commission granted forbearance from dominant carrier regulation of these services. http://transition.fcc.gov/Daily_Releases/Daily_Business/2015/db0316/DOC-332526A1.pdf
The rates, terms and conditions associated with these services are now available at:
<http://www.centurylink.com/Pages/AboutUs/Legal/Tariffs/displayTariffLandingPage.html>

(D)

ISSUE DATE:
April 16, 2015

Issued Under Transmittal No. 69
Vice President-Regulatory Operations
100 CenturyLink Drive
Monroe, Louisiana 71203

EFFECTIVE DATE:
May 1, 2015

ACCESS SERVICE

- 7. Special Access Service (Cont'd)
 - 7.5 Rates and Charges (Cont'd)
 - 7.5.18 ⁽¹⁾

(D)

⁽¹⁾ The CenturyLink services previously identified on this page are no longer offered under tariff. Effective March 13, 2015 the Commission granted forbearance from dominant carrier regulation of these services. http://transition.fcc.gov/Daily_Releases/Daily_Business/2015/db0316/DOC-332526A1.pdf
The rates, terms and conditions associated with these services are now available at:
<http://www.centurylink.com/Pages/AboutUs/Legal/Tariffs/displayTariffLandingPage.html>

(D)

ISSUE DATE:
April 16, 2015

Issued Under Transmittal No. 69
Vice President-Regulatory Operations
100 CenturyLink Drive
Monroe, Louisiana 71203

EFFECTIVE DATE:
May 1, 2015

ACCESS SERVICE

- 7. Special Access Service (Cont'd)
 - 7.5 Rates and Charges (Cont'd)
 - 7.5.18 ⁽¹⁾

(D)

⁽¹⁾ The CenturyLink services previously identified on this page are no longer offered under tariff. Effective March 13, 2015 the Commission granted forbearance from dominant carrier regulation of these services. http://transition.fcc.gov/Daily_Releases/Daily_Business/2015/db0316/DOC-332526A1.pdf
The rates, terms and conditions associated with these services are now available at:
<http://www.centurylink.com/Pages/AboutUs/Legal/Tariffs/displayTariffLandingPage.html>

(D)

ISSUE DATE:
April 16, 2015

Issued Under Transmittal No. 69
Vice President-Regulatory Operations
100 CenturyLink Drive
Monroe, Louisiana 71203

EFFECTIVE DATE:
May 1, 2015

ACCESS SERVICE

- 7. Special Access Service (Cont'd)
- 7.5 Rates and Charges (Cont'd)
- 7.5.18 ⁽¹⁾

(D)

⁽¹⁾ The CenturyLink services previously identified on this page are no longer offered under tariff. Effective March 13, 2015 the Commission granted forbearance from dominant carrier regulation of these services. http://transition.fcc.gov/Daily_Releases/Daily_Business/2015/db0316/DOC-332526A1.pdf
The rates, terms and conditions associated with these services are now available at:
<http://www.centurylink.com/Pages/AboutUs/Legal/Tariffs/displayTariffLandingPage.html>

(D)

ISSUE DATE:
April 16, 2015

Issued Under Transmittal No. 69
Vice President-Regulatory Operations
100 CenturyLink Drive
Monroe, Louisiana 71203

EFFECTIVE DATE:
May 1, 2015

ACCESS SERVICE

- 7. Special Access Service (Cont'd)
 - 7.5 Rates and Charges (Cont'd)
 - 7.5.18 ⁽¹⁾

(D)

⁽¹⁾ The CenturyLink services previously identified on this page are no longer offered under tariff. Effective March 13, 2015 the Commission granted forbearance from dominant carrier regulation of these services. http://transition.fcc.gov/Daily_Releases/Daily_Business/2015/db0316/DOC-332526A1.pdf
The rates, terms and conditions associated with these services are now available at:
<http://www.centurylink.com/Pages/AboutUs/Legal/Tariffs/displayTariffLandingPage.html>

(D)

ISSUE DATE:
April 16, 2015

Issued Under Transmittal No. 69
Vice President-Regulatory Operations
100 CenturyLink Drive
Monroe, Louisiana 71203

EFFECTIVE DATE:
May 1, 2015

ACCESS SERVICE

7. Special Access Service (Cont'd)

7.5 Rates and Charges (Cont'd)

7.5.18 ⁽¹⁾

(D)

(1) The CenturyLink services previously identified on this page are no longer offered under tariff. Effective March 13, 2015 the Commission granted forbearance from dominant carrier regulation of these services. http://transition.fcc.gov/Daily_Releases/Daily_Business/2015/db0316/DOC-332526A1.pdf
The rates, terms and conditions associated with these services are now available at:
<http://www.centurylink.com/Pages/AboutUs/Legal/Tariffs/displayTariffLandingPage.html>

(D)

ISSUE DATE:
April 16, 2015

Issued Under Transmittal No. 69
Vice President-Regulatory Operations
100 CenturyLink Drive
Monroe, Louisiana 71203

EFFECTIVE DATE:
May 1, 2015

ACCESS SERVICE

- 7. Special Access Service (Cont'd)
 - 7.5 Rates and Charges (Cont'd)
 - 7.5.18 ⁽¹⁾

(D)

⁽¹⁾ The CenturyLink services previously identified on this page are no longer offered under tariff. Effective March 13, 2015 the Commission granted forbearance from dominant carrier regulation of these services. http://transition.fcc.gov/Daily_Releases/Daily_Business/2015/db0316/DOC-332526A1.pdf
The rates, terms and conditions associated with these services are now available at:
<http://www.centurylink.com/Pages/AboutUs/Legal/Tariffs/displayTariffLandingPage.html>

(D)

ISSUE DATE:
April 16, 2015

Issued Under Transmittal No. 69
Vice President-Regulatory Operations
100 CenturyLink Drive
Monroe, Louisiana 71203

EFFECTIVE DATE:
May 1, 2015

ACCESS SERVICE

- 7. Special Access Service (Cont'd)
- 7.5 Rates and Charges (Cont'd)
- 7.5.18 ⁽¹⁾

(D)

⁽¹⁾ The CenturyLink services previously identified on this page are no longer offered under tariff. Effective March 13, 2015 the Commission granted forbearance from dominant carrier regulation of these services. http://transition.fcc.gov/Daily_Releases/Daily_Business/2015/db0316/DOC-332526A1.pdf
The rates, terms and conditions associated with these services are now available at:
<http://www.centurylink.com/Pages/AboutUs/Legal/Tariffs/displayTariffLandingPage.html>

(D)

ISSUE DATE:
April 16, 2015

Issued Under Transmittal No. 69
Vice President-Regulatory Operations
100 CenturyLink Drive
Monroe, Louisiana 71203

EFFECTIVE DATE:
May 1, 2015

ACCESS SERVICE

- 7. Special Access Service (Cont'd)
 - 7.5 Rates and Charges (Cont'd)
 - 7.5.18 ⁽¹⁾

(D)

⁽¹⁾ The CenturyLink services previously identified on this page are no longer offered under tariff. Effective March 13, 2015 the Commission granted forbearance from dominant carrier regulation of these services. http://transition.fcc.gov/Daily_Releases/Daily_Business/2015/db0316/DOC-332526A1.pdf
The rates, terms and conditions associated with these services are now available at:
<http://www.centurylink.com/Pages/AboutUs/Legal/Tariffs/displayTariffLandingPage.html>

(D)

ISSUE DATE:
April 16, 2015

Issued Under Transmittal No. 69
Vice President-Regulatory Operations
100 CenturyLink Drive
Monroe, Louisiana 71203

EFFECTIVE DATE:
May 1, 2015

ACCESS SERVICE

- 7. Special Access Service (Cont'd)
 - 7.5 Rates and Charges (Cont'd)
 - 7.5.18 ⁽¹⁾

(D)

⁽¹⁾ The CenturyLink services previously identified on this page are no longer offered under tariff. Effective March 13, 2015 the Commission granted forbearance from dominant carrier regulation of these services. http://transition.fcc.gov/Daily_Releases/Daily_Business/2015/db0316/DOC-332526A1.pdf
The rates, terms and conditions associated with these services are now available at:
<http://www.centurylink.com/Pages/AboutUs/Legal/Tariffs/displayTariffLandingPage.html>

(D)

ISSUE DATE:
April 16, 2015

Issued Under Transmittal No. 69
Vice President-Regulatory Operations
100 CenturyLink Drive
Monroe, Louisiana 71203

EFFECTIVE DATE:
May 1, 2015

ACCESS SERVICE

- 7. Special Access Service (Cont'd)
- 7.5 Rates and Charges (Cont'd)
- 7.5.18 ⁽¹⁾

(D)

⁽¹⁾ The CenturyLink services previously identified on this page are no longer offered under tariff. Effective March 13, 2015 the Commission granted forbearance from dominant carrier regulation of these services. http://transition.fcc.gov/Daily_Releases/Daily_Business/2015/db0316/DOC-332526A1.pdf
The rates, terms and conditions associated with these services are now available at:
<http://www.centurylink.com/Pages/AboutUs/Legal/Tariffs/displayTariffLandingPage.html>

(D)

ISSUE DATE:
April 16, 2015

Issued Under Transmittal No. 69
Vice President-Regulatory Operations
100 CenturyLink Drive
Monroe, Louisiana 71203

EFFECTIVE DATE:
May 1, 2015

ACCESS SERVICE

- 7. Special Access Service (Cont'd)
 - 7.5 Rates and Charges (Cont'd)
 - 7.5.18 ⁽¹⁾

(D)

⁽¹⁾ The CenturyLink services previously identified on this page are no longer offered under tariff. Effective March 13, 2015 the Commission granted forbearance from dominant carrier regulation of these services. http://transition.fcc.gov/Daily_Releases/Daily_Business/2015/db0316/DOC-332526A1.pdf
The rates, terms and conditions associated with these services are now available at:
<http://www.centurylink.com/Pages/AboutUs/Legal/Tariffs/displayTariffLandingPage.html>

(D)

ISSUE DATE:
April 16, 2015

Issued Under Transmittal No. 69
Vice President-Regulatory Operations
100 CenturyLink Drive
Monroe, Louisiana 71203

EFFECTIVE DATE:
May 1, 2015

ACCESS SERVICE

- 7. Special Access Service (Cont'd)
 - 7.5 Rates and Charges (Cont'd)
 - 7.5.18 ⁽¹⁾

(D)

⁽¹⁾ The CenturyLink services previously identified on this page are no longer offered under tariff. Effective March 13, 2015 the Commission granted forbearance from dominant carrier regulation of these services. http://transition.fcc.gov/Daily_Releases/Daily_Business/2015/db0316/DOC-332526A1.pdf
The rates, terms and conditions associated with these services are now available at:
<http://www.centurylink.com/Pages/AboutUs/Legal/Tariffs/displayTariffLandingPage.html>

(D)

ISSUE DATE:
April 16, 2015

Issued Under Transmittal No. 69
Vice President-Regulatory Operations
100 CenturyLink Drive
Monroe, Louisiana 71203

EFFECTIVE DATE:
May 1, 2015

ACCESS SERVICE

7. Special Access Service (Cont'd)

7.5 Rates and Charges (Cont'd)

7.5.18 ⁽¹⁾

(D)

⁽¹⁾ The CenturyLink services previously identified on this page are no longer offered under tariff. Effective March 13, 2015 the Commission granted forbearance from dominant carrier regulation of these services. http://transition.fcc.gov/Daily_Releases/Daily_Business/2015/db0316/DOC-332526A1.pdf
The rates, terms and conditions associated with these services are now available at:
<http://www.centurylink.com/Pages/AboutUs/Legal/Tariffs/displayTariffLandingPage.html>

(D)

ISSUE DATE:
April 16, 2015

Issued Under Transmittal No. 69
Vice President-Regulatory Operations
100 CenturyLink Drive
Monroe, Louisiana 71203

EFFECTIVE DATE:
May 1, 2015

ACCESS SERVICE

- 7. Special Access Service (Cont'd)
- 7.5 Rates and Charges (Cont'd)
- 7.5.18 ⁽¹⁾

(D)

⁽¹⁾ The CenturyLink services previously identified on this page are no longer offered under tariff. Effective March 13, 2015 the Commission granted forbearance from dominant carrier regulation of these services. http://transition.fcc.gov/Daily_Releases/Daily_Business/2015/db0316/DOC-332526A1.pdf
The rates, terms and conditions associated with these services are now available at:
<http://www.centurylink.com/Pages/AboutUs/Legal/Tariffs/displayTariffLandingPage.html>

(D)

ISSUE DATE:
April 16, 2015

Issued Under Transmittal No. 69
Vice President-Regulatory Operations
100 CenturyLink Drive
Monroe, Louisiana 71203

EFFECTIVE DATE:
May 1, 2015

ACCESS SERVICE

- 7. Special Access Service (Cont'd)
 - 7.5 Rates and Charges (Cont'd)
 - 7.5.18 ⁽¹⁾

(D)

⁽¹⁾ The CenturyLink services previously identified on this page are no longer offered under tariff. Effective March 13, 2015 the Commission granted forbearance from dominant carrier regulation of these services. http://transition.fcc.gov/Daily_Releases/Daily_Business/2015/db0316/DOC-332526A1.pdf
The rates, terms and conditions associated with these services are now available at:
<http://www.centurylink.com/Pages/AboutUs/Legal/Tariffs/displayTariffLandingPage.html>

(D)

ISSUE DATE:
April 16, 2015

Issued Under Transmittal No. 69
Vice President-Regulatory Operations
100 CenturyLink Drive
Monroe, Louisiana 71203

EFFECTIVE DATE:
May 1, 2015

ACCESS SERVICE

- 7. Special Access Service (Cont'd)
 - 7.5 Rates and Charges (Cont'd)
 - 7.5.18 ⁽¹⁾

(D)

⁽¹⁾ The CenturyLink services previously identified on this page are no longer offered under tariff. Effective March 13, 2015 the Commission granted forbearance from dominant carrier regulation of these services. http://transition.fcc.gov/Daily_Releases/Daily_Business/2015/db0316/DOC-332526A1.pdf
The rates, terms and conditions associated with these services are now available at:
<http://www.centurylink.com/Pages/AboutUs/Legal/Tariffs/displayTariffLandingPage.html>

(D)

ISSUE DATE:
April 16, 2015

Issued Under Transmittal No. 69
Vice President-Regulatory Operations
100 CenturyLink Drive
Monroe, Louisiana 71203

EFFECTIVE DATE:
May 1, 2015

ACCESS SERVICE

- 7. Special Access Service (Cont'd)
- 7.5 Rates and Charges (Cont'd)
- 7.5.18 ⁽¹⁾

(D)

⁽¹⁾ The CenturyLink services previously identified on this page are no longer offered under tariff. Effective March 13, 2015 the Commission granted forbearance from dominant carrier regulation of these services. http://transition.fcc.gov/Daily_Releases/Daily_Business/2015/db0316/DOC-332526A1.pdf
The rates, terms and conditions associated with these services are now available at:
<http://www.centurylink.com/Pages/AboutUs/Legal/Tariffs/displayTariffLandingPage.html>

(D)

ISSUE DATE:
April 16, 2015

Issued Under Transmittal No. 69
Vice President-Regulatory Operations
100 CenturyLink Drive
Monroe, Louisiana 71203

EFFECTIVE DATE:
May 1, 2015

ACCESS SERVICE

- 7. Special Access Service (Cont'd)
 - 7.5 Rates and Charges (Cont'd)
 - 7.5.18 ⁽¹⁾

(D)

(D)

⁽¹⁾ The CenturyLink services previously identified on this page are no longer offered under tariff. Effective March 13, 2015 the Commission granted forbearance from dominant carrier regulation of these services. http://transition.fcc.gov/Daily_Releases/Daily_Business/2015/db0316/DOC-332526A1.pdf
The rates, terms and conditions associated with these services are now available at:
<http://www.centurylink.com/Pages/AboutUs/Legal/Tariffs/displayTariffLandingPage.html>

ISSUE DATE:
April 16, 2015

Issued Under Transmittal No. 69
Vice President-Regulatory Operations
100 CenturyLink Drive
Monroe, Louisiana 71203

EFFECTIVE DATE:
May 1, 2015

ACCESS SERVICE

- 7. Special Access Service (Cont'd)
 - 7.5 Rates and Charges (Cont'd)
 - 7.5.18 ⁽¹⁾

(D)

⁽¹⁾ The CenturyLink services previously identified on this page are no longer offered under tariff. Effective March 13, 2015 the Commission granted forbearance from dominant carrier regulation of these services. http://transition.fcc.gov/Daily_Releases/Daily_Business/2015/db0316/DOC-332526A1.pdf
The rates, terms and conditions associated with these services are now available at:
<http://www.centurylink.com/Pages/AboutUs/Legal/Tariffs/displayTariffLandingPage.html>

(D)

ISSUE DATE:
April 16, 2015

Issued Under Transmittal No. 69
Vice President-Regulatory Operations
100 CenturyLink Drive
Monroe, Louisiana 71203

EFFECTIVE DATE:
May 1, 2015

ACCESS SERVICE

- 7. Special Access Service (Cont'd)
 - 7.5 Rates and Charges (Cont'd)
 - 7.5.18 ⁽¹⁾

(D)

(D)

⁽¹⁾ The CenturyLink services previously identified on this page are no longer offered under tariff. Effective March 13, 2015 the Commission granted forbearance from dominant carrier regulation of these services. http://transition.fcc.gov/Daily_Releases/Daily_Business/2015/db0316/DOC-332526A1.pdf
The rates, terms and conditions associated with these services are now available at:
<http://www.centurylink.com/Pages/AboutUs/Legal/Tariffs/displayTariffLandingPage.html>

ISSUE DATE:
April 16, 2015

Issued Under Transmittal No. 69
Vice President-Regulatory Operations
100 CenturyLink Drive
Monroe, Louisiana 71203

EFFECTIVE DATE:
May 1, 2015

ACCESS SERVICE

- 7. Special Access Service (Cont'd)
 - 7.5 Rates and Charges (Cont'd)
 - 7.5.18 ⁽¹⁾

(D)

⁽¹⁾ The CenturyLink services previously identified on this page are no longer offered under tariff. Effective March 13, 2015 the Commission granted forbearance from dominant carrier regulation of these services. http://transition.fcc.gov/Daily_Releases/Daily_Business/2015/db0316/DOC-332526A1.pdf
The rates, terms and conditions associated with these services are now available at:
<http://www.centurylink.com/Pages/AboutUs/Legal/Tariffs/displayTariffLandingPage.html>

(D)

ISSUE DATE:
April 16, 2015

Issued Under Transmittal No. 69
Vice President-Regulatory Operations
100 CenturyLink Drive
Monroe, Louisiana 71203

EFFECTIVE DATE:
May 1, 2015

ACCESS SERVICE

- 7. Special Access Service (Cont'd)
 - 7.5 Rates and Charges (Cont'd)
 - 7.5.18 ⁽¹⁾

(D)

⁽¹⁾ The CenturyLink services previously identified on this page are no longer offered under tariff. Effective March 13, 2015 the Commission granted forbearance from dominant carrier regulation of these services. http://transition.fcc.gov/Daily_Releases/Daily_Business/2015/db0316/DOC-332526A1.pdf
The rates, terms and conditions associated with these services are now available at:
<http://www.centurylink.com/Pages/AboutUs/Legal/Tariffs/displayTariffLandingPage.html>

(D)

ISSUE DATE:
April 16, 2015

Issued Under Transmittal No. 69
Vice President-Regulatory Operations
100 CenturyLink Drive
Monroe, Louisiana 71203

EFFECTIVE DATE:
May 1, 2015

ACCESS SERVICE

- 7. Special Access Service (Cont'd)
 - 7.5 Rates and Charges (Cont'd)
 - 7.5.18 ⁽¹⁾

(D)

(D)

⁽¹⁾ The CenturyLink services previously identified on this page are no longer offered under tariff. Effective March 13, 2015 the Commission granted forbearance from dominant carrier regulation of these services. http://transition.fcc.gov/Daily_Releases/Daily_Business/2015/db0316/DOC-332526A1.pdf
The rates, terms and conditions associated with these services are now available at:
<http://www.centurylink.com/Pages/AboutUs/Legal/Tariffs/displayTariffLandingPage.html>

ISSUE DATE:
April 16, 2015

Issued Under Transmittal No. 69
Vice President-Regulatory Operations
100 CenturyLink Drive
Monroe, Louisiana 71203

EFFECTIVE DATE:
May 1, 2015

ACCESS SERVICE

- 7. Special Access Service (Cont'd)
 - 7.5 Rates and Charges (Cont'd)
 - 7.5.18 ⁽¹⁾

(D)

⁽¹⁾ The CenturyLink services previously identified on this page are no longer offered under tariff. Effective March 13, 2015 the Commission granted forbearance from dominant carrier regulation of these services. http://transition.fcc.gov/Daily_Releases/Daily_Business/2015/db0316/DOC-332526A1.pdf
The rates, terms and conditions associated with these services are now available at:
<http://www.centurylink.com/Pages/AboutUs/Legal/Tariffs/displayTariffLandingPage.html>

(D)

ISSUE DATE:
April 16, 2015

Issued Under Transmittal No. 69
Vice President-Regulatory Operations
100 CenturyLink Drive
Monroe, Louisiana 71203

EFFECTIVE DATE:
May 1, 2015

ACCESS SERVICE

- 7. Special Access Service (Cont'd)
- 7.5 Rates and Charges (Cont'd)
- 7.5.18 ⁽¹⁾

(D)

⁽¹⁾ The CenturyLink services previously identified on this page are no longer offered under tariff. Effective March 13, 2015 the Commission granted forbearance from dominant carrier regulation of these services. http://transition.fcc.gov/Daily_Releases/Daily_Business/2015/db0316/DOC-332526A1.pdf
The rates, terms and conditions associated with these services are now available at:
<http://www.centurylink.com/Pages/AboutUs/Legal/Tariffs/displayTariffLandingPage.html>

(D)

ISSUE DATE:
April 16, 2015

Issued Under Transmittal No. 69
Vice President-Regulatory Operations
100 CenturyLink Drive
Monroe, Louisiana 71203

EFFECTIVE DATE:
May 1, 2015

ACCESS SERVICE

7. Special Access Service (Cont'd)

7.5 Rates and Charges (Cont'd)

7.5.18 ⁽¹⁾

(D)

⁽¹⁾ The CenturyLink services previously identified on this page are no longer offered under tariff. Effective March 13, 2015 the Commission granted forbearance from dominant carrier regulation of these services. http://transition.fcc.gov/Daily_Releases/Daily_Business/2015/db0316/DOC-332526A1.pdf
The rates, terms and conditions associated with these services are now available at:
<http://www.centurylink.com/Pages/AboutUs/Legal/Tariffs/displayTariffLandingPage.html>

(D)

ISSUE DATE:
April 16, 2015

Issued Under Transmittal No. 69
Vice President-Regulatory Operations
100 CenturyLink Drive
Monroe, Louisiana 71203

EFFECTIVE DATE:
May 1, 2015

ACCESS SERVICE

- 7. Special Access Service (Cont'd)
- 7.5 Rates and Charges (Cont'd)
- 7.5.18 ⁽¹⁾

(D)

⁽¹⁾ The CenturyLink services previously identified on this page are no longer offered under tariff. Effective March 13, 2015 the Commission granted forbearance from dominant carrier regulation of these services. http://transition.fcc.gov/Daily_Releases/Daily_Business/2015/db0316/DOC-332526A1.pdf
The rates, terms and conditions associated with these services are now available at:
<http://www.centurylink.com/Pages/AboutUs/Legal/Tariffs/displayTariffLandingPage.html>

(D)

ISSUE DATE:
April 16, 2015

Issued Under Transmittal No. 69
Vice President-Regulatory Operations
100 CenturyLink Drive
Monroe, Louisiana 71203

EFFECTIVE DATE:
May 1, 2015

ACCESS SERVICE

- 7. Special Access Service (Cont'd)
- 7.5 Rates and Charges (Cont'd)
- 7.5.18 ⁽¹⁾

(D)

⁽¹⁾ The CenturyLink services previously identified on this page are no longer offered under tariff. Effective March 13, 2015 the Commission granted forbearance from dominant carrier regulation of these services. http://transition.fcc.gov/Daily_Releases/Daily_Business/2015/db0316/DOC-332526A1.pdf
The rates, terms and conditions associated with these services are now available at:
<http://www.centurylink.com/Pages/AboutUs/Legal/Tariffs/displayTariffLandingPage.html>

(D)

ISSUE DATE:
April 16, 2015

Issued Under Transmittal No. 69
Vice President-Regulatory Operations
100 CenturyLink Drive
Monroe, Louisiana 71203

EFFECTIVE DATE:
May 1, 2015

ACCESS SERVICE

7. Special Access Service (Cont'd)

7.5 Rates and Charges (Cont'd)

7.5.18 ⁽¹⁾

(D)

⁽¹⁾ The CenturyLink services previously identified on this page are no longer offered under tariff. Effective March 13, 2015 the Commission granted forbearance from dominant carrier regulation of these services. http://transition.fcc.gov/Daily_Releases/Daily_Business/2015/db0316/DOC-332526A1.pdf
The rates, terms and conditions associated with these services are now available at:
<http://www.centurylink.com/Pages/AboutUs/Legal/Tariffs/displayTariffLandingPage.html>

(D)

ISSUE DATE:
April 16, 2015

Issued Under Transmittal No. 69
Vice President-Regulatory Operations
100 CenturyLink Drive
Monroe, Louisiana 71203

EFFECTIVE DATE:
May 1, 2015

ACCESS SERVICE

- 7. Special Access Service (Cont'd)
- 7.5 Rates and Charges (Cont'd)
- 7.5.18 ⁽¹⁾

(D)

⁽¹⁾ The CenturyLink services previously identified on this page are no longer offered under tariff. Effective March 13, 2015 the Commission granted forbearance from dominant carrier regulation of these services. http://transition.fcc.gov/Daily_Releases/Daily_Business/2015/db0316/DOC-332526A1.pdf
The rates, terms and conditions associated with these services are now available at:
<http://www.centurylink.com/Pages/AboutUs/Legal/Tariffs/displayTariffLandingPage.html>

(D)

ISSUE DATE:
April 16, 2015

Issued Under Transmittal No. 69
Vice President-Regulatory Operations
100 CenturyLink Drive
Monroe, Louisiana 71203

EFFECTIVE DATE:
May 1, 2015

ACCESS SERVICE

- 7. Special Access Service (Cont'd)
 - 7.5 Rates and Charges (Cont'd)
 - 7.5.18 ⁽¹⁾

(D)

⁽¹⁾ The CenturyLink services previously identified on this page are no longer offered under tariff. Effective March 13, 2015 the Commission granted forbearance from dominant carrier regulation of these services. http://transition.fcc.gov/Daily_Releases/Daily_Business/2015/db0316/DOC-332526A1.pdf
The rates, terms and conditions associated with these services are now available at:
<http://www.centurylink.com/Pages/AboutUs/Legal/Tariffs/displayTariffLandingPage.html>

(D)

ISSUE DATE:
April 16, 2015

Issued Under Transmittal No. 69
Vice President-Regulatory Operations
100 CenturyLink Drive
Monroe, Louisiana 71203

EFFECTIVE DATE:
May 1, 2015

ACCESS SERVICE

7. Special Access Service (Cont'd)

7.5 Rates and Charges (Cont'd)

7.5.18 ⁽¹⁾

(D)

(1) The CenturyLink services previously identified on this page are no longer offered under tariff. Effective March 13, 2015 the Commission granted forbearance from dominant carrier regulation of these services. http://transition.fcc.gov/Daily_Releases/Daily_Business/2015/db0316/DOC-332526A1.pdf
The rates, terms and conditions associated with these services are now available at:
<http://www.centurylink.com/Pages/AboutUs/Legal/Tariffs/displayTariffLandingPage.html>

(D)

ISSUE DATE:
April 16, 2015

Issued Under Transmittal No. 69
Vice President-Regulatory Operations
100 CenturyLink Drive
Monroe, Louisiana 71203

EFFECTIVE DATE:
May 1, 2015

ACCESS SERVICE

7. Special Access Service (Cont'd)

7.5 Rates and Charges (Cont'd)

7.5.18 ⁽¹⁾

(D)

(D)

⁽¹⁾ The CenturyLink services previously identified on this page are no longer offered under tariff. Effective March 13, 2015 the Commission granted forbearance from dominant carrier regulation of these services. http://transition.fcc.gov/Daily_Releases/Daily_Business/2015/db0316/DOC-332526A1.pdf
The rates, terms and conditions associated with these services are now available at:
<http://www.centurylink.com/Pages/AboutUs/Legal/Tariffs/displayTariffLandingPage.html>

ISSUE DATE:
April 16, 2015

Issued Under Transmittal No. 69
Vice President-Regulatory Operations
100 CenturyLink Drive
Monroe, Louisiana 71203

EFFECTIVE DATE:
May 1, 2015

ACCESS SERVICE

7. Special Access Service (Cont'd)

7.5 Rates and Charges (Cont'd)

7.5.18 ⁽¹⁾

(D)

⁽¹⁾ The CenturyLink services previously identified on this page are no longer offered under tariff. Effective March 13, 2015 the Commission granted forbearance from dominant carrier regulation of these services. http://transition.fcc.gov/Daily_Releases/Daily_Business/2015/db0316/DOC-332526A1.pdf
The rates, terms and conditions associated with these services are now available at:
<http://www.centurylink.com/Pages/AboutUs/Legal/Tariffs/displayTariffLandingPage.html>

(D)

ISSUE DATE:
April 16, 2015

Issued Under Transmittal No. 69
Vice President-Regulatory Operations
100 CenturyLink Drive
Monroe, Louisiana 71203

EFFECTIVE DATE:
May 1, 2015

ACCESS SERVICE

7. Special Access Service (Cont'd)

7.5 Rates and Charges (Cont'd)

7.5.18 ⁽¹⁾

(D)

⁽¹⁾ The CenturyLink services previously identified on this page are no longer offered under tariff. Effective March 13, 2015 the Commission granted forbearance from dominant carrier regulation of these services. http://transition.fcc.gov/Daily_Releases/Daily_Business/2015/db0316/DOC-332526A1.pdf
The rates, terms and conditions associated with these services are now available at:
<http://www.centurylink.com/Pages/AboutUs/Legal/Tariffs/displayTariffLandingPage.html>

(D)

ISSUE DATE:
April 16, 2015

Issued Under Transmittal No. 69
Vice President-Regulatory Operations
100 CenturyLink Drive
Monroe, Louisiana 71203

EFFECTIVE DATE:
May 1, 2015

ACCESS SERVICE

7. Special Access Service (Cont'd)

7.5 Rates and Charges (Cont'd)

7.5.18 ⁽¹⁾

(D)

(1) The CenturyLink services previously identified on this page are no longer offered under tariff. Effective March 13, 2015 the Commission granted forbearance from dominant carrier regulation of these services. http://transition.fcc.gov/Daily_Releases/Daily_Business/2015/db0316/DOC-332526A1.pdf
The rates, terms and conditions associated with these services are now available at:
<http://www.centurylink.com/Pages/AboutUs/Legal/Tariffs/displayTariffLandingPage.html>

(D)

ISSUE DATE:
April 16, 2015

Issued Under Transmittal No. 69
Vice President-Regulatory Operations
100 CenturyLink Drive
Monroe, Louisiana 71203

EFFECTIVE DATE:
May 1, 2015

ACCESS SERVICE

- 7. Special Access Service (Cont'd)
- 7.5 Rates and Charges (Cont'd)
- 7.5.18 ⁽¹⁾

(D)

⁽¹⁾ The CenturyLink services previously identified on this page are no longer offered under tariff. Effective March 13, 2015 the Commission granted forbearance from dominant carrier regulation of these services. http://transition.fcc.gov/Daily_Releases/Daily_Business/2015/db0316/DOC-332526A1.pdf
The rates, terms and conditions associated with these services are now available at:
<http://www.centurylink.com/Pages/AboutUs/Legal/Tariffs/displayTariffLandingPage.html>

(D)

ISSUE DATE:
April 16, 2015

Issued Under Transmittal No. 69
Vice President-Regulatory Operations
100 CenturyLink Drive
Monroe, Louisiana 71203

EFFECTIVE DATE:
May 1, 2015

ACCESS SERVICE

7. Special Access Service (Cont'd)

7.5 Rates and Charges (Cont'd)

7.5.18 ⁽¹⁾

(D)

⁽¹⁾ The CenturyLink services previously identified on this page are no longer offered under tariff. Effective March 13, 2015 the Commission granted forbearance from dominant carrier regulation of these services. http://transition.fcc.gov/Daily_Releases/Daily_Business/2015/db0316/DOC-332526A1.pdf
The rates, terms and conditions associated with these services are now available at:
<http://www.centurylink.com/Pages/AboutUs/Legal/Tariffs/displayTariffLandingPage.html>

(D)

ISSUE DATE:
April 16, 2015

Issued Under Transmittal No. 69
Vice President-Regulatory Operations
100 CenturyLink Drive
Monroe, Louisiana 71203

EFFECTIVE DATE:
May 1, 2015

ACCESS SERVICE

- 7. Special Access Service (Cont'd)
 - 7.5 Rates and Charges (Cont'd)
 - 7.5.18 ⁽¹⁾

(D)

⁽¹⁾ The CenturyLink services previously identified on this page are no longer offered under tariff. Effective March 13, 2015 the Commission granted forbearance from dominant carrier regulation of these services. http://transition.fcc.gov/Daily_Releases/Daily_Business/2015/db0316/DOC-332526A1.pdf
The rates, terms and conditions associated with these services are now available at:
<http://www.centurylink.com/Pages/AboutUs/Legal/Tariffs/displayTariffLandingPage.html>

(D)

ISSUE DATE:
April 16, 2015

Issued Under Transmittal No. 69
Vice President-Regulatory Operations
100 CenturyLink Drive
Monroe, Louisiana 71203

EFFECTIVE DATE:
May 1, 2015

ACCESS SERVICE

7. Special Access Service (Cont'd)

7.5 Rates and Charges (Cont'd)

7.5.18 ⁽¹⁾

(D)

(D)

⁽¹⁾ The CenturyLink services previously identified on this page are no longer offered under tariff. Effective March 13, 2015 the Commission granted forbearance from dominant carrier regulation of these services. http://transition.fcc.gov/Daily_Releases/Daily_Business/2015/db0316/DOC-332526A1.pdf
The rates, terms and conditions associated with these services are now available at:
<http://www.centurylink.com/Pages/AboutUs/Legal/Tariffs/displayTariffLandingPage.html>

ISSUE DATE:
April 16, 2015

Issued Under Transmittal No. 69
Vice President-Regulatory Operations
100 CenturyLink Drive
Monroe, Louisiana 71203

EFFECTIVE DATE:
May 1, 2015

ACCESS SERVICE

- 7. Special Access Service (Cont'd)
 - 7.5 Rates and Charges (Cont'd)
 - 7.5.18 ⁽¹⁾

(D)

(D)

⁽¹⁾ The CenturyLink services previously identified on this page are no longer offered under tariff. Effective March 13, 2015 the Commission granted forbearance from dominant carrier regulation of these services. http://transition.fcc.gov/Daily_Releases/Daily_Business/2015/db0316/DOC-332526A1.pdf
The rates, terms and conditions associated with these services are now available at:
<http://www.centurylink.com/Pages/AboutUs/Legal/Tariffs/displayTariffLandingPage.html>

ISSUE DATE:
April 16, 2015

Issued Under Transmittal No. 69
Vice President-Regulatory Operations
100 CenturyLink Drive
Monroe, Louisiana 71203

EFFECTIVE DATE:
May 1, 2015

ACCESS SERVICE

7. Special Access Service (Cont'd)

7.5 Rates and Charges (Cont'd)

7.5.18 ⁽¹⁾

(D)

(1) The CenturyLink services previously identified on this page are no longer offered under tariff. Effective March 13, 2015 the Commission granted forbearance from dominant carrier regulation of these services. http://transition.fcc.gov/Daily_Releases/Daily_Business/2015/db0316/DOC-332526A1.pdf
The rates, terms and conditions associated with these services are now available at:
<http://www.centurylink.com/Pages/AboutUs/Legal/Tariffs/displayTariffLandingPage.html>

(D)

ISSUE DATE:
April 16, 2015

Issued Under Transmittal No. 69
Vice President-Regulatory Operations
100 CenturyLink Drive
Monroe, Louisiana 71203

EFFECTIVE DATE:
May 1, 2015

ACCESS SERVICE

7. Special Access Service (Cont'd)

7.5 Rates and Charges (Cont'd)

7.5.18 ⁽¹⁾

(D)

⁽¹⁾ The CenturyLink services previously identified on this page are no longer offered under tariff. Effective March 13, 2015 the Commission granted forbearance from dominant carrier regulation of these services. http://transition.fcc.gov/Daily_Releases/Daily_Business/2015/db0316/DOC-332526A1.pdf
The rates, terms and conditions associated with these services are now available at:
<http://www.centurylink.com/Pages/AboutUs/Legal/Tariffs/displayTariffLandingPage.html>

(D)

ISSUE DATE:
April 16, 2015

Issued Under Transmittal No. 69
Vice President-Regulatory Operations
100 CenturyLink Drive
Monroe, Louisiana 71203

EFFECTIVE DATE:
May 1, 2015

ACCESS SERVICE

- 7. Special Access Service (Cont'd)
- 7.5 Rates and Charges (Cont'd)
- 7.5.18 ⁽¹⁾

(D)

⁽¹⁾ The CenturyLink services previously identified on this page are no longer offered under tariff. Effective March 13, 2015 the Commission granted forbearance from dominant carrier regulation of these services. http://transition.fcc.gov/Daily_Releases/Daily_Business/2015/db0316/DOC-332526A1.pdf
The rates, terms and conditions associated with these services are now available at:
<http://www.centurylink.com/Pages/AboutUs/Legal/Tariffs/displayTariffLandingPage.html>

(D)

ISSUE DATE:
April 16, 2015

Issued Under Transmittal No. 69
Vice President-Regulatory Operations
100 CenturyLink Drive
Monroe, Louisiana 71203

EFFECTIVE DATE:
May 1, 2015

ACCESS SERVICE

- 7. Special Access Service (Cont'd)
- 7.5 Rates and Charges (Cont'd)
- 7.5.18 ⁽¹⁾

(D)

⁽¹⁾ The CenturyLink services previously identified on this page are no longer offered under tariff. Effective March 13, 2015 the Commission granted forbearance from dominant carrier regulation of these services. http://transition.fcc.gov/Daily_Releases/Daily_Business/2015/db0316/DOC-332526A1.pdf
The rates, terms and conditions associated with these services are now available at:
<http://www.centurylink.com/Pages/AboutUs/Legal/Tariffs/displayTariffLandingPage.html>

(D)

ISSUE DATE:
April 16, 2015

Issued Under Transmittal No. 69
Vice President-Regulatory Operations
100 CenturyLink Drive
Monroe, Louisiana 71203

EFFECTIVE DATE:
May 1, 2015

ACCESS SERVICE

7. Special Access Service (Cont'd)

7.5 Rates and Charges (Cont'd)

7.5.18 ⁽¹⁾

(D)

⁽¹⁾ The CenturyLink services previously identified on this page are no longer offered under tariff. Effective March 13, 2015 the Commission granted forbearance from dominant carrier regulation of these services. http://transition.fcc.gov/Daily_Releases/Daily_Business/2015/db0316/DOC-332526A1.pdf
The rates, terms and conditions associated with these services are now available at:
<http://www.centurylink.com/Pages/AboutUs/Legal/Tariffs/displayTariffLandingPage.html>

(D)

ISSUE DATE:
April 16, 2015

Issued Under Transmittal No. 69
Vice President-Regulatory Operations
100 CenturyLink Drive
Monroe, Louisiana 71203

EFFECTIVE DATE:
May 1, 2015

ACCESS SERVICE

- 7. Special Access Service (Cont'd)
 - 7.5 Rates and Charges (Cont'd)
 - 7.5.18 ⁽¹⁾

(D)

⁽¹⁾ The CenturyLink services previously identified on this page are no longer offered under tariff. Effective March 13, 2015 the Commission granted forbearance from dominant carrier regulation of these services. http://transition.fcc.gov/Daily_Releases/Daily_Business/2015/db0316/DOC-332526A1.pdf
The rates, terms and conditions associated with these services are now available at:
<http://www.centurylink.com/Pages/AboutUs/Legal/Tariffs/displayTariffLandingPage.html>

(D)

ISSUE DATE:
April 16, 2015

Issued Under Transmittal No. 69
Vice President-Regulatory Operations
100 CenturyLink Drive
Monroe, Louisiana 71203

EFFECTIVE DATE:
May 1, 2015

ACCESS SERVICE

- 7. Special Access Service (Cont'd)
 - 7.5 Rates and Charges (Cont'd)
 - 7.5.18 ⁽¹⁾

(D)

⁽¹⁾ The CenturyLink services previously identified on this page are no longer offered under tariff. Effective March 13, 2015 the Commission granted forbearance from dominant carrier regulation of these services. http://transition.fcc.gov/Daily_Releases/Daily_Business/2015/db0316/DOC-332526A1.pdf
The rates, terms and conditions associated with these services are now available at:
<http://www.centurylink.com/Pages/AboutUs/Legal/Tariffs/displayTariffLandingPage.html>

(D)

ISSUE DATE:
April 16, 2015

Issued Under Transmittal No. 69
Vice President-Regulatory Operations
100 CenturyLink Drive
Monroe, Louisiana 71203

EFFECTIVE DATE:
May 1, 2015

ACCESS SERVICE

- 7. Special Access Service (Cont'd)
- 7.5 Rates and Charges (Cont'd)
- 7.5.18 ⁽¹⁾

(D)

⁽¹⁾ The CenturyLink services previously identified on this page are no longer offered under tariff. Effective March 13, 2015 the Commission granted forbearance from dominant carrier regulation of these services. http://transition.fcc.gov/Daily_Releases/Daily_Business/2015/db0316/DOC-332526A1.pdf
The rates, terms and conditions associated with these services are now available at:
<http://www.centurylink.com/Pages/AboutUs/Legal/Tariffs/displayTariffLandingPage.html>

(D)

ISSUE DATE:
April 16, 2015

Issued Under Transmittal No. 69
Vice President-Regulatory Operations
100 CenturyLink Drive
Monroe, Louisiana 71203

EFFECTIVE DATE:
May 1, 2015

ACCESS SERVICE

7. Special Access Service (Cont'd)

7.5 Rates and Charges (Cont'd)

7.5.18 ⁽¹⁾

(D)

⁽¹⁾ The CenturyLink services previously identified on this page are no longer offered under tariff. Effective March 13, 2015 the Commission granted forbearance from dominant carrier regulation of these services. http://transition.fcc.gov/Daily_Releases/Daily_Business/2015/db0316/DOC-332526A1.pdf
The rates, terms and conditions associated with these services are now available at:
<http://www.centurylink.com/Pages/AboutUs/Legal/Tariffs/displayTariffLandingPage.html>

(D)

ISSUE DATE:
April 16, 2015

Issued Under Transmittal No. 69
Vice President-Regulatory Operations
100 CenturyLink Drive
Monroe, Louisiana 71203

EFFECTIVE DATE:
May 1, 2015

ACCESS SERVICE

7. Special Access Service (Cont'd)

7.5 Rates and Charges (Cont'd)

7.5.18 ⁽¹⁾

(D)

⁽¹⁾ The CenturyLink services previously identified on this page are no longer offered under tariff. Effective March 13, 2015 the Commission granted forbearance from dominant carrier regulation of these services. http://transition.fcc.gov/Daily_Releases/Daily_Business/2015/db0316/DOC-332526A1.pdf
The rates, terms and conditions associated with these services are now available at:
<http://www.centurylink.com/Pages/AboutUs/Legal/Tariffs/displayTariffLandingPage.html>

(D)

ISSUE DATE:
April 16, 2015

Issued Under Transmittal No. 69
Vice President-Regulatory Operations
100 CenturyLink Drive
Monroe, Louisiana 71203

EFFECTIVE DATE:
May 1, 2015

ACCESS SERVICE

7. Special Access Service (Cont'd)

7.5 Rates and Charges (Cont'd)

7.5.18 ⁽¹⁾

(D)

⁽¹⁾ The CenturyLink services previously identified on this page are no longer offered under tariff. Effective March 13, 2015 the Commission granted forbearance from dominant carrier regulation of these services. http://transition.fcc.gov/Daily_Releases/Daily_Business/2015/db0316/DOC-332526A1.pdf
The rates, terms and conditions associated with these services are now available at:
<http://www.centurylink.com/Pages/AboutUs/Legal/Tariffs/displayTariffLandingPage.html>

(D)

ISSUE DATE:
April 16, 2015

Issued Under Transmittal No. 69
Vice President-Regulatory Operations
100 CenturyLink Drive
Monroe, Louisiana 71203

EFFECTIVE DATE:
May 1, 2015

ACCESS SERVICE

- 7. Special Access Service (Cont'd)
- 7.5 Rates and Charges (Cont'd)
- 7.5.18 ⁽¹⁾

(D)

⁽¹⁾ The CenturyLink services previously identified on this page are no longer offered under tariff. Effective March 13, 2015 the Commission granted forbearance from dominant carrier regulation of these services. http://transition.fcc.gov/Daily_Releases/Daily_Business/2015/db0316/DOC-332526A1.pdf
The rates, terms and conditions associated with these services are now available at:
<http://www.centurylink.com/Pages/AboutUs/Legal/Tariffs/displayTariffLandingPage.html>

(D)

ISSUE DATE:
April 16, 2015

Issued Under Transmittal No. 69
Vice President-Regulatory Operations
100 CenturyLink Drive
Monroe, Louisiana 71203

EFFECTIVE DATE:
May 1, 2015

ACCESS SERVICE

- 7. Special Access Service (Cont'd)
- 7.5 Rates and Charges (Cont'd)
- 7.5.18 ⁽¹⁾

(D)

⁽¹⁾ The CenturyLink services previously identified on this page are no longer offered under tariff. Effective March 13, 2015 the Commission granted forbearance from dominant carrier regulation of these services. http://transition.fcc.gov/Daily_Releases/Daily_Business/2015/db0316/DOC-332526A1.pdf
The rates, terms and conditions associated with these services are now available at:
<http://www.centurylink.com/Pages/AboutUs/Legal/Tariffs/displayTariffLandingPage.html>

(D)

ISSUE DATE:
April 16, 2015

Issued Under Transmittal No. 69
Vice President-Regulatory Operations
100 CenturyLink Drive
Monroe, Louisiana 71203

EFFECTIVE DATE:
May 1, 2015

ACCESS SERVICE

- 7. Special Access Service (Cont'd)
- 7.5 Rates and Charges (Cont'd)
- 7.5.18 ⁽¹⁾

(D)

⁽¹⁾ The CenturyLink services previously identified on this page are no longer offered under tariff. Effective March 13, 2015 the Commission granted forbearance from dominant carrier regulation of these services. http://transition.fcc.gov/Daily_Releases/Daily_Business/2015/db0316/DOC-332526A1.pdf
The rates, terms and conditions associated with these services are now available at:
<http://www.centurylink.com/Pages/AboutUs/Legal/Tariffs/displayTariffLandingPage.html>

(D)

ISSUE DATE:
April 16, 2015

Issued Under Transmittal No. 69
Vice President-Regulatory Operations
100 CenturyLink Drive
Monroe, Louisiana 71203

EFFECTIVE DATE:
May 1, 2015

ACCESS SERVICE

- 7. Special Access Service (Cont'd)
 - 7.5 Rates and Charges (Cont'd)
 - 7.5.18 ⁽¹⁾

(D)

(D)

⁽¹⁾ The CenturyLink services previously identified on this page are no longer offered under tariff. Effective March 13, 2015 the Commission granted forbearance from dominant carrier regulation of these services. http://transition.fcc.gov/Daily_Releases/Daily_Business/2015/db0316/DOC-332526A1.pdf
The rates, terms and conditions associated with these services are now available at:
<http://www.centurylink.com/Pages/AboutUs/Legal/Tariffs/displayTariffLandingPage.html>

ISSUE DATE:
April 16, 2015

Issued Under Transmittal No. 69
Vice President-Regulatory Operations
100 CenturyLink Drive
Monroe, Louisiana 71203

EFFECTIVE DATE:
May 1, 2015

ACCESS SERVICE

7. Special Access Service (Cont'd)

7.5 Rates and Charges (Cont'd)

7.5.18 ⁽¹⁾

(D)

⁽¹⁾ The CenturyLink services previously identified on this page are no longer offered under tariff. Effective March 13, 2015 the Commission granted forbearance from dominant carrier regulation of these services. http://transition.fcc.gov/Daily_Releases/Daily_Business/2015/db0316/DOC-332526A1.pdf
The rates, terms and conditions associated with these services are now available at:
<http://www.centurylink.com/Pages/AboutUs/Legal/Tariffs/displayTariffLandingPage.html>

(D)

ISSUE DATE:
April 16, 2015

Issued Under Transmittal No. 69
Vice President-Regulatory Operations
100 CenturyLink Drive
Monroe, Louisiana 71203

EFFECTIVE DATE:
May 1, 2015

ACCESS SERVICE

7. Special Access Service (Cont'd)

7.5 Rates and Charges (Cont'd)

7.5.18 ⁽¹⁾

(D)

⁽¹⁾ The CenturyLink services previously identified on this page are no longer offered under tariff. Effective March 13, 2015 the Commission granted forbearance from dominant carrier regulation of these services. http://transition.fcc.gov/Daily_Releases/Daily_Business/2015/db0316/DOC-332526A1.pdf
The rates, terms and conditions associated with these services are now available at:
<http://www.centurylink.com/Pages/AboutUs/Legal/Tariffs/displayTariffLandingPage.html>

(D)

ISSUE DATE:
April 16, 2015

Issued Under Transmittal No. 69
Vice President-Regulatory Operations
100 CenturyLink Drive
Monroe, Louisiana 71203

EFFECTIVE DATE:
May 1, 2015

ACCESS SERVICE

- 7. Special Access Service (Cont'd)
- 7.5 Rates and Charges (Cont'd)
- 7.5.18 ⁽¹⁾

(D)

⁽¹⁾ The CenturyLink services previously identified on this page are no longer offered under tariff. Effective March 13, 2015 the Commission granted forbearance from dominant carrier regulation of these services. http://transition.fcc.gov/Daily_Releases/Daily_Business/2015/db0316/DOC-332526A1.pdf
The rates, terms and conditions associated with these services are now available at:
<http://www.centurylink.com/Pages/AboutUs/Legal/Tariffs/displayTariffLandingPage.html>

(D)

ISSUE DATE:
April 16, 2015

Issued Under Transmittal No. 69
Vice President-Regulatory Operations
100 CenturyLink Drive
Monroe, Louisiana 71203

EFFECTIVE DATE:
May 1, 2015

ACCESS SERVICE

7. Special Access Service (Cont'd)

7.5 Rates and Charges (Cont'd)

7.5.18 ⁽¹⁾

(D)

⁽¹⁾ The CenturyLink services previously identified on this page are no longer offered under tariff. Effective March 13, 2015 the Commission granted forbearance from dominant carrier regulation of these services. http://transition.fcc.gov/Daily_Releases/Daily_Business/2015/db0316/DOC-332526A1.pdf
The rates, terms and conditions associated with these services are now available at:
<http://www.centurylink.com/Pages/AboutUs/Legal/Tariffs/displayTariffLandingPage.html>

(D)

ISSUE DATE:
April 16, 2015

Issued Under Transmittal No. 69
Vice President-Regulatory Operations
100 CenturyLink Drive
Monroe, Louisiana 71203

EFFECTIVE DATE:
May 1, 2015

ACCESS SERVICE

7. Special Access Service (Cont'd)

7.5 Rates and Charges (Cont'd)

7.5.18 ⁽¹⁾

(D)

⁽¹⁾ The CenturyLink services previously identified on this page are no longer offered under tariff. Effective March 13, 2015 the Commission granted forbearance from dominant carrier regulation of these services. http://transition.fcc.gov/Daily_Releases/Daily_Business/2015/db0316/DOC-332526A1.pdf
The rates, terms and conditions associated with these services are now available at:
<http://www.centurylink.com/Pages/AboutUs/Legal/Tariffs/displayTariffLandingPage.html>

(D)

ISSUE DATE:
April 16, 2015

Issued Under Transmittal No. 69
Vice President-Regulatory Operations
100 CenturyLink Drive
Monroe, Louisiana 71203

EFFECTIVE DATE:
May 1, 2015

ACCESS SERVICE

- 7. Special Access Service (Cont'd)
- 7.5 Rates and Charges (Cont'd)
- 7.5.18 ⁽¹⁾

(D)

⁽¹⁾ The CenturyLink services previously identified on this page are no longer offered under tariff. Effective March 13, 2015 the Commission granted forbearance from dominant carrier regulation of these services. http://transition.fcc.gov/Daily_Releases/Daily_Business/2015/db0316/DOC-332526A1.pdf
The rates, terms and conditions associated with these services are now available at:
<http://www.centurylink.com/Pages/AboutUs/Legal/Tariffs/displayTariffLandingPage.html>

(D)

ISSUE DATE:
April 16, 2015

Issued Under Transmittal No. 69
Vice President-Regulatory Operations
100 CenturyLink Drive
Monroe, Louisiana 71203

EFFECTIVE DATE:
May 1, 2015

ACCESS SERVICE

7. Special Access Service (Cont'd)

7.5 Rates and Charges (Cont'd)

7.5.18 ⁽¹⁾

(D)

⁽¹⁾ The CenturyLink services previously identified on this page are no longer offered under tariff. Effective March 13, 2015 the Commission granted forbearance from dominant carrier regulation of these services. http://transition.fcc.gov/Daily_Releases/Daily_Business/2015/db0316/DOC-332526A1.pdf
The rates, terms and conditions associated with these services are now available at:
<http://www.centurylink.com/Pages/AboutUs/Legal/Tariffs/displayTariffLandingPage.html>

(D)

ISSUE DATE:
April 16, 2015

Issued Under Transmittal No. 69
Vice President-Regulatory Operations
100 CenturyLink Drive
Monroe, Louisiana 71203

EFFECTIVE DATE:
May 1, 2015

ACCESS SERVICE

- 7. Special Access Service (Cont'd)
- 7.5 Rates and Charges (Cont'd)
- 7.5.18 ⁽¹⁾

(D)

⁽¹⁾ The CenturyLink services previously identified on this page are no longer offered under tariff. Effective March 13, 2015 the Commission granted forbearance from dominant carrier regulation of these services. http://transition.fcc.gov/Daily_Releases/Daily_Business/2015/db0316/DOC-332526A1.pdf
The rates, terms and conditions associated with these services are now available at:
<http://www.centurylink.com/Pages/AboutUs/Legal/Tariffs/displayTariffLandingPage.html>

(D)

ISSUE DATE:
April 16, 2015

Issued Under Transmittal No. 69
Vice President-Regulatory Operations
100 CenturyLink Drive
Monroe, Louisiana 71203

EFFECTIVE DATE:
May 1, 2015

ACCESS SERVICE

- 7. Special Access Service (Cont'd)
- 7.5 Rates and Charges (Cont'd)
- 7.5.18 ⁽¹⁾

(D)

⁽¹⁾ The CenturyLink services previously identified on this page are no longer offered under tariff. Effective March 13, 2015 the Commission granted forbearance from dominant carrier regulation of these services. http://transition.fcc.gov/Daily_Releases/Daily_Business/2015/db0316/DOC-332526A1.pdf
The rates, terms and conditions associated with these services are now available at:
<http://www.centurylink.com/Pages/AboutUs/Legal/Tariffs/displayTariffLandingPage.html>

(D)

ISSUE DATE:
April 16, 2015

Issued Under Transmittal No. 69
Vice President-Regulatory Operations
100 CenturyLink Drive
Monroe, Louisiana 71203

EFFECTIVE DATE:
May 1, 2015

ACCESS SERVICE

- 7. Special Access Service (Cont'd)
 - 7.5 Rates and Charges (Cont'd)
 - 7.5.18 ⁽¹⁾

(D)

⁽¹⁾ The CenturyLink services previously identified on this page are no longer offered under tariff. Effective March 13, 2015 the Commission granted forbearance from dominant carrier regulation of these services. http://transition.fcc.gov/Daily_Releases/Daily_Business/2015/db0316/DOC-332526A1.pdf
The rates, terms and conditions associated with these services are now available at:
<http://www.centurylink.com/Pages/AboutUs/Legal/Tariffs/displayTariffLandingPage.html>

(D)

ISSUE DATE:
April 16, 2015

Issued Under Transmittal No. 69
Vice President-Regulatory Operations
100 CenturyLink Drive
Monroe, Louisiana 71203

EFFECTIVE DATE:
May 1, 2015

ACCESS SERVICE

7. Special Access Service (Cont'd)

7.5 Rates and Charges (Cont'd)

7.5.18 ⁽¹⁾

(D)

⁽¹⁾ The CenturyLink services previously identified on this page are no longer offered under tariff. Effective March 13, 2015 the Commission granted forbearance from dominant carrier regulation of these services. http://transition.fcc.gov/Daily_Releases/Daily_Business/2015/db0316/DOC-332526A1.pdf
The rates, terms and conditions associated with these services are now available at:
<http://www.centurylink.com/Pages/AboutUs/Legal/Tariffs/displayTariffLandingPage.html>

(D)

ISSUE DATE:
April 16, 2015

Issued Under Transmittal No. 69
Vice President-Regulatory Operations
100 CenturyLink Drive
Monroe, Louisiana 71203

EFFECTIVE DATE:
May 1, 2015

ACCESS SERVICE

- 7. Special Access Service (Cont'd)
- 7.5 Rates and Charges (Cont'd)
- 7.5.18 ⁽¹⁾

(D)

(D)

⁽¹⁾ The CenturyLink services previously identified on this page are no longer offered under tariff. Effective March 13, 2015 the Commission granted forbearance from dominant carrier regulation of these services. http://transition.fcc.gov/Daily_Releases/Daily_Business/2015/db0316/DOC-332526A1.pdf
The rates, terms and conditions associated with these services are now available at:
<http://www.centurylink.com/Pages/AboutUs/Legal/Tariffs/displayTariffLandingPage.html>

ISSUE DATE:
April 16, 2015

Issued Under Transmittal No. 69
Vice President-Regulatory Operations
100 CenturyLink Drive
Monroe, Louisiana 71203

EFFECTIVE DATE:
May 1, 2015

ACCESS SERVICE

7. Special Access Service (Cont'd)

7.5 Rates and Charges (Cont'd)

7.5.18 ⁽¹⁾

(D)

⁽¹⁾ The CenturyLink services previously identified on this page are no longer offered under tariff. Effective March 13, 2015 the Commission granted forbearance from dominant carrier regulation of these services. http://transition.fcc.gov/Daily_Releases/Daily_Business/2015/db0316/DOC-332526A1.pdf
The rates, terms and conditions associated with these services are now available at:
<http://www.centurylink.com/Pages/AboutUs/Legal/Tariffs/displayTariffLandingPage.html>

(D)

ISSUE DATE:
April 16, 2015

Issued Under Transmittal No. 69
Vice President-Regulatory Operations
100 CenturyLink Drive
Monroe, Louisiana 71203

EFFECTIVE DATE:
May 1, 2015

ACCESS SERVICE

- 7. Special Access Service (Cont'd)
- 7.5 Rates and Charges (Cont'd)
- 7.5.18 ⁽¹⁾

(D)

⁽¹⁾ The CenturyLink services previously identified on this page are no longer offered under tariff. Effective March 13, 2015 the Commission granted forbearance from dominant carrier regulation of these services. http://transition.fcc.gov/Daily_Releases/Daily_Business/2015/db0316/DOC-332526A1.pdf
The rates, terms and conditions associated with these services are now available at:
<http://www.centurylink.com/Pages/AboutUs/Legal/Tariffs/displayTariffLandingPage.html>

(D)

ISSUE DATE:
April 16, 2015

Issued Under Transmittal No. 69
Vice President-Regulatory Operations
100 CenturyLink Drive
Monroe, Louisiana 71203

EFFECTIVE DATE:
May 1, 2015

ACCESS SERVICE

- 7. Special Access Service (Cont'd)
- 7.5 Rates and Charges (Cont'd)
- 7.5.18 ⁽¹⁾

(D)

⁽¹⁾ The CenturyLink services previously identified on this page are no longer offered under tariff. Effective March 13, 2015 the Commission granted forbearance from dominant carrier regulation of these services. http://transition.fcc.gov/Daily_Releases/Daily_Business/2015/db0316/DOC-332526A1.pdf
The rates, terms and conditions associated with these services are now available at:
<http://www.centurylink.com/Pages/AboutUs/Legal/Tariffs/displayTariffLandingPage.html>

(D)

ISSUE DATE:
April 16, 2015

Issued Under Transmittal No. 69
Vice President-Regulatory Operations
100 CenturyLink Drive
Monroe, Louisiana 71203

EFFECTIVE DATE:
May 1, 2015

ACCESS SERVICE

- 7. Special Access Service (Cont'd)
- 7.5 Rates and Charges (Cont'd)
- 7.5.18 ⁽¹⁾

(D)

⁽¹⁾ The CenturyLink services previously identified on this page are no longer offered under tariff. Effective March 13, 2015 the Commission granted forbearance from dominant carrier regulation of these services. http://transition.fcc.gov/Daily_Releases/Daily_Business/2015/db0316/DOC-332526A1.pdf
The rates, terms and conditions associated with these services are now available at:
<http://www.centurylink.com/Pages/AboutUs/Legal/Tariffs/displayTariffLandingPage.html>

(D)

ISSUE DATE:
April 16, 2015

Issued Under Transmittal No. 69
Vice President-Regulatory Operations
100 CenturyLink Drive
Monroe, Louisiana 71203

EFFECTIVE DATE:
May 1, 2015

ACCESS SERVICE

- 7. Special Access Service (Cont'd)
- 7.5 Rates and Charges (Cont'd)
- 7.5.18 ⁽¹⁾

(D)

⁽¹⁾ The CenturyLink services previously identified on this page are no longer offered under tariff. Effective March 13, 2015 the Commission granted forbearance from dominant carrier regulation of these services. http://transition.fcc.gov/Daily_Releases/Daily_Business/2015/db0316/DOC-332526A1.pdf
The rates, terms and conditions associated with these services are now available at:
<http://www.centurylink.com/Pages/AboutUs/Legal/Tariffs/displayTariffLandingPage.html>

(D)

ISSUE DATE:
April 16, 2015

Issued Under Transmittal No. 69
Vice President-Regulatory Operations
100 CenturyLink Drive
Monroe, Louisiana 71203

EFFECTIVE DATE:
May 1, 2015

ACCESS SERVICE

- 7. Special Access Service (Cont'd)
 - 7.5 Rates and Charges (Cont'd)
 - 7.5.18 ⁽¹⁾

(D)

(D)

⁽¹⁾ The CenturyLink services previously identified on this page are no longer offered under tariff. Effective March 13, 2015 the Commission granted forbearance from dominant carrier regulation of these services. http://transition.fcc.gov/Daily_Releases/Daily_Business/2015/db0316/DOC-332526A1.pdf
The rates, terms and conditions associated with these services are now available at:
<http://www.centurylink.com/Pages/AboutUs/Legal/Tariffs/displayTariffLandingPage.html>

ISSUE DATE:
April 16, 2015

Issued Under Transmittal No. 69
Vice President-Regulatory Operations
100 CenturyLink Drive
Monroe, Louisiana 71203

EFFECTIVE DATE:
May 1, 2015

ACCESS SERVICE

- 7. Special Access Service (Cont'd)
- 7.5 Rates and Charges (Cont'd)
- 7.5.18 ⁽¹⁾

(D)

⁽¹⁾ The CenturyLink services previously identified on this page are no longer offered under tariff. Effective March 13, 2015 the Commission granted forbearance from dominant carrier regulation of these services. http://transition.fcc.gov/Daily_Releases/Daily_Business/2015/db0316/DOC-332526A1.pdf
The rates, terms and conditions associated with these services are now available at:
<http://www.centurylink.com/Pages/AboutUs/Legal/Tariffs/displayTariffLandingPage.html>

(D)

ISSUE DATE:
April 16, 2015

Issued Under Transmittal No. 69
Vice President-Regulatory Operations
100 CenturyLink Drive
Monroe, Louisiana 71203

EFFECTIVE DATE:
May 1, 2015

ACCESS SERVICE

- 7. Special Access Service (Cont'd)
- 7.5 Rates and Charges (Cont'd)
- 7.5.18 ⁽¹⁾

(D)

⁽¹⁾ The CenturyLink services previously identified on this page are no longer offered under tariff. Effective March 13, 2015 the Commission granted forbearance from dominant carrier regulation of these services. http://transition.fcc.gov/Daily_Releases/Daily_Business/2015/db0316/DOC-332526A1.pdf
The rates, terms and conditions associated with these services are now available at:
<http://www.centurylink.com/Pages/AboutUs/Legal/Tariffs/displayTariffLandingPage.html>

(D)

ISSUE DATE:
April 16, 2015

Issued Under Transmittal No. 69
Vice President-Regulatory Operations
100 CenturyLink Drive
Monroe, Louisiana 71203

EFFECTIVE DATE:
May 1, 2015

ACCESS SERVICE

- 7. Special Access Service (Cont'd)
- 7.5 Rates and Charges (Cont'd)
- 7.5.18 ⁽¹⁾

(D)

⁽¹⁾ The CenturyLink services previously identified on this page are no longer offered under tariff. Effective March 13, 2015 the Commission granted forbearance from dominant carrier regulation of these services. http://transition.fcc.gov/Daily_Releases/Daily_Business/2015/db0316/DOC-332526A1.pdf
The rates, terms and conditions associated with these services are now available at:
<http://www.centurylink.com/Pages/AboutUs/Legal/Tariffs/displayTariffLandingPage.html>

(D)

ISSUE DATE:
April 16, 2015

Issued Under Transmittal No. 69
Vice President-Regulatory Operations
100 CenturyLink Drive
Monroe, Louisiana 71203

EFFECTIVE DATE:
May 1, 2015

ACCESS SERVICE

- 7. Special Access Service (Cont'd)
 - 7.5 Rates and Charges (Cont'd)
 - 7.5.18 ⁽¹⁾

(D)

⁽¹⁾ The CenturyLink services previously identified on this page are no longer offered under tariff. Effective March 13, 2015 the Commission granted forbearance from dominant carrier regulation of these services. http://transition.fcc.gov/Daily_Releases/Daily_Business/2015/db0316/DOC-332526A1.pdf
The rates, terms and conditions associated with these services are now available at:
<http://www.centurylink.com/Pages/AboutUs/Legal/Tariffs/displayTariffLandingPage.html>

(D)

ISSUE DATE:
April 16, 2015

Issued Under Transmittal No. 69
Vice President-Regulatory Operations
100 CenturyLink Drive
Monroe, Louisiana 71203

EFFECTIVE DATE:
May 1, 2015

ACCESS SERVICE

- 7. Special Access Service (Cont'd)
- 7.5 Rates and Charges (Cont'd)
- 7.5.18 ⁽¹⁾

(D)

⁽¹⁾ The CenturyLink services previously identified on this page are no longer offered under tariff. Effective March 13, 2015 the Commission granted forbearance from dominant carrier regulation of these services. http://transition.fcc.gov/Daily_Releases/Daily_Business/2015/db0316/DOC-332526A1.pdf
The rates, terms and conditions associated with these services are now available at:
<http://www.centurylink.com/Pages/AboutUs/Legal/Tariffs/displayTariffLandingPage.html>

(D)

ISSUE DATE:
April 16, 2015

Issued Under Transmittal No. 69
Vice President-Regulatory Operations
100 CenturyLink Drive
Monroe, Louisiana 71203

EFFECTIVE DATE:
May 1, 2015

ACCESS SERVICE

- 7. Special Access Service (Cont'd)
- 7.5 Rates and Charges (Cont'd)
- 7.5.18 ⁽¹⁾

(D)

⁽¹⁾ The CenturyLink services previously identified on this page are no longer offered under tariff. Effective March 13, 2015 the Commission granted forbearance from dominant carrier regulation of these services. http://transition.fcc.gov/Daily_Releases/Daily_Business/2015/db0316/DOC-332526A1.pdf
The rates, terms and conditions associated with these services are now available at:
<http://www.centurylink.com/Pages/AboutUs/Legal/Tariffs/displayTariffLandingPage.html>

(D)

ISSUE DATE:
April 16, 2015

Issued Under Transmittal No. 69
Vice President-Regulatory Operations
100 CenturyLink Drive
Monroe, Louisiana 71203

EFFECTIVE DATE:
May 1, 2015

ACCESS SERVICE

- 7. Special Access Service (Cont'd)
 - 7.5 Rates and Charges (Cont'd)
 - 7.5.18 ⁽¹⁾

(D)

⁽¹⁾ The CenturyLink services previously identified on this page are no longer offered under tariff. Effective March 13, 2015 the Commission granted forbearance from dominant carrier regulation of these services. http://transition.fcc.gov/Daily_Releases/Daily_Business/2015/db0316/DOC-332526A1.pdf
The rates, terms and conditions associated with these services are now available at:
<http://www.centurylink.com/Pages/AboutUs/Legal/Tariffs/displayTariffLandingPage.html>

(D)

ISSUE DATE:
April 16, 2015

Issued Under Transmittal No. 69
Vice President-Regulatory Operations
100 CenturyLink Drive
Monroe, Louisiana 71203

EFFECTIVE DATE:
May 1, 2015

ACCESS SERVICE

7. Special Access Service (Cont'd)

7.5 Rates and Charges (Cont'd)

7.5.18 ⁽¹⁾

(D)

⁽¹⁾ The CenturyLink services previously identified on this page are no longer offered under tariff. Effective March 13, 2015 the Commission granted forbearance from dominant carrier regulation of these services. http://transition.fcc.gov/Daily_Releases/Daily_Business/2015/db0316/DOC-332526A1.pdf
The rates, terms and conditions associated with these services are now available at:
<http://www.centurylink.com/Pages/AboutUs/Legal/Tariffs/displayTariffLandingPage.html>

(D)

ISSUE DATE:
April 16, 2015

Issued Under Transmittal No. 69
Vice President-Regulatory Operations
100 CenturyLink Drive
Monroe, Louisiana 71203

EFFECTIVE DATE:
May 1, 2015

ACCESS SERVICE

7. Special Access Service (Cont'd)

7.5 Rates and Charges (Cont'd)

7.5.18 ⁽¹⁾

(D)

⁽¹⁾ The CenturyLink services previously identified on this page are no longer offered under tariff. Effective March 13, 2015 the Commission granted forbearance from dominant carrier regulation of these services. http://transition.fcc.gov/Daily_Releases/Daily_Business/2015/db0316/DOC-332526A1.pdf
The rates, terms and conditions associated with these services are now available at:
<http://www.centurylink.com/Pages/AboutUs/Legal/Tariffs/displayTariffLandingPage.html>

(D)

ISSUE DATE:
April 16, 2015

Issued Under Transmittal No. 69
Vice President-Regulatory Operations
100 CenturyLink Drive
Monroe, Louisiana 71203

EFFECTIVE DATE:
May 1, 2015

ACCESS SERVICE

- 7. Special Access Service (Cont'd)
- 7.5 Rates and Charges (Cont'd)
- 7.5.18 ⁽¹⁾

(D)

(D)

⁽¹⁾ The CenturyLink services previously identified on this page are no longer offered under tariff. Effective March 13, 2015 the Commission granted forbearance from dominant carrier regulation of these services. http://transition.fcc.gov/Daily_Releases/Daily_Business/2015/db0316/DOC-332526A1.pdf
The rates, terms and conditions associated with these services are now available at:
<http://www.centurylink.com/Pages/AboutUs/Legal/Tariffs/displayTariffLandingPage.html>

ISSUE DATE:
April 16, 2015

Issued Under Transmittal No. 69
Vice President-Regulatory Operations
100 CenturyLink Drive
Monroe, Louisiana 71203

EFFECTIVE DATE:
May 1, 2015

ACCESS SERVICE

- 7. Special Access Service (Cont'd)
- 7.5 Rates and Charges (Cont'd)
- 7.5.18 ⁽¹⁾

(D)

⁽¹⁾ The CenturyLink services previously identified on this page are no longer offered under tariff. Effective March 13, 2015 the Commission granted forbearance from dominant carrier regulation of these services. http://transition.fcc.gov/Daily_Releases/Daily_Business/2015/db0316/DOC-332526A1.pdf
The rates, terms and conditions associated with these services are now available at:
<http://www.centurylink.com/Pages/AboutUs/Legal/Tariffs/displayTariffLandingPage.html>

(D)

ISSUE DATE:
April 16, 2015

Issued Under Transmittal No. 69
Vice President-Regulatory Operations
100 CenturyLink Drive
Monroe, Louisiana 71203

EFFECTIVE DATE:
May 1, 2015

ACCESS SERVICE

7. Special Access Service (Cont'd)

7.5 Rates and Charges (Cont'd)

7.5.18 ⁽¹⁾

(D)

⁽¹⁾ The CenturyLink services previously identified on this page are no longer offered under tariff. Effective March 13, 2015 the Commission granted forbearance from dominant carrier regulation of these services. http://transition.fcc.gov/Daily_Releases/Daily_Business/2015/db0316/DOC-332526A1.pdf
The rates, terms and conditions associated with these services are now available at:
<http://www.centurylink.com/Pages/AboutUs/Legal/Tariffs/displayTariffLandingPage.html>

(D)

ISSUE DATE:
April 16, 2015

Issued Under Transmittal No. 69
Vice President-Regulatory Operations
100 CenturyLink Drive
Monroe, Louisiana 71203

EFFECTIVE DATE:
May 1, 2015

ACCESS SERVICE

7. Special Access Service (Cont'd)

7.5 Rates and Charges (Cont'd)

7.5.18 ⁽¹⁾

(D)

⁽¹⁾ The CenturyLink services previously identified on this page are no longer offered under tariff. Effective March 13, 2015 the Commission granted forbearance from dominant carrier regulation of these services. http://transition.fcc.gov/Daily_Releases/Daily_Business/2015/db0316/DOC-332526A1.pdf
The rates, terms and conditions associated with these services are now available at:
<http://www.centurylink.com/Pages/AboutUs/Legal/Tariffs/displayTariffLandingPage.html>

(D)

ISSUE DATE:
April 16, 2015

Issued Under Transmittal No. 69
Vice President-Regulatory Operations
100 CenturyLink Drive
Monroe, Louisiana 71203

EFFECTIVE DATE:
May 1, 2015

ACCESS SERVICE

- 7. Special Access Service (Cont'd)
- 7.5 Rates and Charges (Cont'd)
- 7.5.18 ⁽¹⁾

(D)

⁽¹⁾ The CenturyLink services previously identified on this page are no longer offered under tariff. Effective March 13, 2015 the Commission granted forbearance from dominant carrier regulation of these services. http://transition.fcc.gov/Daily_Releases/Daily_Business/2015/db0316/DOC-332526A1.pdf
The rates, terms and conditions associated with these services are now available at:
<http://www.centurylink.com/Pages/AboutUs/Legal/Tariffs/displayTariffLandingPage.html>

(D)

ISSUE DATE:
April 16, 2015

Issued Under Transmittal No. 69
Vice President-Regulatory Operations
100 CenturyLink Drive
Monroe, Louisiana 71203

EFFECTIVE DATE:
May 1, 2015

ACCESS SERVICE

7. Special Access Service (Cont'd)

7.5 Rates and Charges (Cont'd)

7.5.18 ⁽¹⁾

(D)

⁽¹⁾ The CenturyLink services previously identified on this page are no longer offered under tariff. Effective March 13, 2015 the Commission granted forbearance from dominant carrier regulation of these services. http://transition.fcc.gov/Daily_Releases/Daily_Business/2015/db0316/DOC-332526A1.pdf
The rates, terms and conditions associated with these services are now available at:
<http://www.centurylink.com/Pages/AboutUs/Legal/Tariffs/displayTariffLandingPage.html>

(D)

ISSUE DATE:
April 16, 2015

Issued Under Transmittal No. 69
Vice President-Regulatory Operations
100 CenturyLink Drive
Monroe, Louisiana 71203

EFFECTIVE DATE:
May 1, 2015

ACCESS SERVICE

7. Special Access Service (Cont'd)

7.5 Rates and Charges (Cont'd)

7.5.18 ⁽¹⁾

(D)

⁽¹⁾ The CenturyLink services previously identified on this page are no longer offered under tariff. Effective March 13, 2015 the Commission granted forbearance from dominant carrier regulation of these services. http://transition.fcc.gov/Daily_Releases/Daily_Business/2015/db0316/DOC-332526A1.pdf
The rates, terms and conditions associated with these services are now available at:
<http://www.centurylink.com/Pages/AboutUs/Legal/Tariffs/displayTariffLandingPage.html>

(D)

ACCESS SERVICE

- 7. Special Access Service (Cont'd)
- 7.5 Rates and Charges (Cont'd)
- 7.5.18 ⁽¹⁾

(D)

⁽¹⁾ The CenturyLink services previously identified on this page are no longer offered under tariff. Effective March 13, 2015 the Commission granted forbearance from dominant carrier regulation of these services. http://transition.fcc.gov/Daily_Releases/Daily_Business/2015/db0316/DOC-332526A1.pdf
The rates, terms and conditions associated with these services are now available at:
<http://www.centurylink.com/Pages/AboutUs/Legal/Tariffs/displayTariffLandingPage.html>

(D)

ISSUE DATE:
April 16, 2015

Issued Under Transmittal No. 69
Vice President-Regulatory Operations
100 CenturyLink Drive
Monroe, Louisiana 71203

EFFECTIVE DATE:
May 1, 2015

ACCESS SERVICE

- 7. Special Access Service (Cont'd)
- 7.5 Rates and Charges (Cont'd)
- 7.5.18 ⁽¹⁾

(D)

⁽¹⁾ The CenturyLink services previously identified on this page are no longer offered under tariff. Effective March 13, 2015 the Commission granted forbearance from dominant carrier regulation of these services. http://transition.fcc.gov/Daily_Releases/Daily_Business/2015/db0316/DOC-332526A1.pdf
The rates, terms and conditions associated with these services are now available at:
<http://www.centurylink.com/Pages/AboutUs/Legal/Tariffs/displayTariffLandingPage.html>

(D)

ISSUE DATE:
April 16, 2015

Issued Under Transmittal No. 69
Vice President-Regulatory Operations
100 CenturyLink Drive
Monroe, Louisiana 71203

EFFECTIVE DATE:
May 1, 2015

ACCESS SERVICE

- 7. Special Access Service (Cont'd)
- 7.5 Rates and Charges (Cont'd)
- 7.5.18 ⁽¹⁾

(D)

⁽¹⁾ The CenturyLink services previously identified on this page are no longer offered under tariff. Effective March 13, 2015 the Commission granted forbearance from dominant carrier regulation of these services. http://transition.fcc.gov/Daily_Releases/Daily_Business/2015/db0316/DOC-332526A1.pdf
The rates, terms and conditions associated with these services are now available at:
<http://www.centurylink.com/Pages/AboutUs/Legal/Tariffs/displayTariffLandingPage.html>

(D)

ISSUE DATE:
April 16, 2015

Issued Under Transmittal No. 69
Vice President-Regulatory Operations
100 CenturyLink Drive
Monroe, Louisiana 71203

EFFECTIVE DATE:
May 1, 2015

ACCESS SERVICE

- 7. Special Access Service (Cont'd)
 - 7.5 Rates and Charges (Cont'd)
 - 7.5.18 ⁽¹⁾

(D)

(D)

⁽¹⁾ The CenturyLink services previously identified on this page are no longer offered under tariff. Effective March 13, 2015 the Commission granted forbearance from dominant carrier regulation of these services. http://transition.fcc.gov/Daily_Releases/Daily_Business/2015/db0316/DOC-332526A1.pdf
The rates, terms and conditions associated with these services are now available at:
<http://www.centurylink.com/Pages/AboutUs/Legal/Tariffs/displayTariffLandingPage.html>

ISSUE DATE:
April 16, 2015

Issued Under Transmittal No. 69
Vice President-Regulatory Operations
100 CenturyLink Drive
Monroe, Louisiana 71203

EFFECTIVE DATE:
May 1, 2015

ACCESS SERVICE

7. Special Access Service (Cont'd)

7.5 Rates and Charges (Cont'd)

7.5.18 ⁽¹⁾

(D)

(D)

⁽¹⁾ The CenturyLink services previously identified on this page are no longer offered under tariff. Effective March 13, 2015 the Commission granted forbearance from dominant carrier regulation of these services. http://transition.fcc.gov/Daily_Releases/Daily_Business/2015/db0316/DOC-332526A1.pdf
The rates, terms and conditions associated with these services are now available at:
<http://www.centurylink.com/Pages/AboutUs/Legal/Tariffs/displayTariffLandingPage.html>

ISSUE DATE:
April 16, 2015

Issued Under Transmittal No. 69
Vice President-Regulatory Operations
100 CenturyLink Drive
Monroe, Louisiana 71203

EFFECTIVE DATE:
May 1, 2015

ACCESS SERVICE

- 7. Special Access Service (Cont'd)
- 7.5 Rates and Charges (Cont'd)
- 7.5.18 ⁽¹⁾

(D)

⁽¹⁾ The CenturyLink services previously identified on this page are no longer offered under tariff. Effective March 13, 2015 the Commission granted forbearance from dominant carrier regulation of these services. http://transition.fcc.gov/Daily_Releases/Daily_Business/2015/db0316/DOC-332526A1.pdf
The rates, terms and conditions associated with these services are now available at:
<http://www.centurylink.com/Pages/AboutUs/Legal/Tariffs/displayTariffLandingPage.html>

(D)

ISSUE DATE:
April 16, 2015

Issued Under Transmittal No. 69
Vice President-Regulatory Operations
100 CenturyLink Drive
Monroe, Louisiana 71203

EFFECTIVE DATE:
May 1, 2015

ACCESS SERVICE

- 7. Special Access Service (Cont'd)
 - 7.5 Rates and Charges (Cont'd)
 - 7.5.18 ⁽¹⁾

(D)

(D)

⁽¹⁾ The CenturyLink services previously identified on this page are no longer offered under tariff. Effective March 13, 2015 the Commission granted forbearance from dominant carrier regulation of these services. http://transition.fcc.gov/Daily_Releases/Daily_Business/2015/db0316/DOC-332526A1.pdf
The rates, terms and conditions associated with these services are now available at:
<http://www.centurylink.com/Pages/AboutUs/Legal/Tariffs/displayTariffLandingPage.html>

ISSUE DATE:
April 16, 2015

Issued Under Transmittal No. 69
Vice President-Regulatory Operations
100 CenturyLink Drive
Monroe, Louisiana 71203

EFFECTIVE DATE:
May 1, 2015

ACCESS SERVICE

7. Special Access Service (Cont'd)

7.5 Rates and Charges (Cont'd)

7.5.18 ⁽¹⁾

(D)

(D)

⁽¹⁾ The CenturyLink services previously identified on this page are no longer offered under tariff. Effective March 13, 2015 the Commission granted forbearance from dominant carrier regulation of these services. http://transition.fcc.gov/Daily_Releases/Daily_Business/2015/db0316/DOC-332526A1.pdf
The rates, terms and conditions associated with these services are now available at:
<http://www.centurylink.com/Pages/AboutUs/Legal/Tariffs/displayTariffLandingPage.html>

ISSUE DATE:
April 16, 2015

Issued Under Transmittal No. 69
Vice President-Regulatory Operations
100 CenturyLink Drive
Monroe, Louisiana 71203

EFFECTIVE DATE:
May 1, 2015

ACCESS SERVICE

- 7. Special Access Service (Cont'd)
- 7.5 Rates and Charges (Cont'd)
- 7.5.18 ⁽¹⁾

(D)

(D)

⁽¹⁾ The CenturyLink services previously identified on this page are no longer offered under tariff. Effective March 13, 2015 the Commission granted forbearance from dominant carrier regulation of these services. http://transition.fcc.gov/Daily_Releases/Daily_Business/2015/db0316/DOC-332526A1.pdf
The rates, terms and conditions associated with these services are now available at:
<http://www.centurylink.com/Pages/AboutUs/Legal/Tariffs/displayTariffLandingPage.html>

ISSUE DATE:
April 16, 2015

Issued Under Transmittal No. 69
Vice President-Regulatory Operations
100 CenturyLink Drive
Monroe, Louisiana 71203

EFFECTIVE DATE:
May 1, 2015

ACCESS SERVICE

- 7. Special Access Service (Cont'd)
 - 7.5 Rates and Charges (Cont'd)
 - 7.5.18 ⁽¹⁾

(D)

⁽¹⁾ The CenturyLink services previously identified on this page are no longer offered under tariff. Effective March 13, 2015 the Commission granted forbearance from dominant carrier regulation of these services. http://transition.fcc.gov/Daily_Releases/Daily_Business/2015/db0316/DOC-332526A1.pdf
The rates, terms and conditions associated with these services are now available at:
<http://www.centurylink.com/Pages/AboutUs/Legal/Tariffs/displayTariffLandingPage.html>

(D)

ISSUE DATE:
April 16, 2015

Issued Under Transmittal No. 69
Vice President-Regulatory Operations
100 CenturyLink Drive
Monroe, Louisiana 71203

EFFECTIVE DATE:
May 1, 2015

ACCESS SERVICE

- 7. Special Access Service (Cont'd)
- 7.5 Rates and Charges (Cont'd)
- 7.5.18 ⁽¹⁾

(D)

⁽¹⁾ The CenturyLink services previously identified on this page are no longer offered under tariff. Effective March 13, 2015 the Commission granted forbearance from dominant carrier regulation of these services. http://transition.fcc.gov/Daily_Releases/Daily_Business/2015/db0316/DOC-332526A1.pdf
The rates, terms and conditions associated with these services are now available at:
<http://www.centurylink.com/Pages/AboutUs/Legal/Tariffs/displayTariffLandingPage.html>

(D)

ISSUE DATE:
April 16, 2015

Issued Under Transmittal No. 69
Vice President-Regulatory Operations
100 CenturyLink Drive
Monroe, Louisiana 71203

EFFECTIVE DATE:
May 1, 2015

ACCESS SERVICE

- 7. Special Access Service (Cont'd)
 - 7.5 Rates and Charges (Cont'd)
 - 7.5.18 ⁽¹⁾

(D)

⁽¹⁾ The CenturyLink services previously identified on this page are no longer offered under tariff. Effective March 13, 2015 the Commission granted forbearance from dominant carrier regulation of these services. http://transition.fcc.gov/Daily_Releases/Daily_Business/2015/db0316/DOC-332526A1.pdf
The rates, terms and conditions associated with these services are now available at:
<http://www.centurylink.com/Pages/AboutUs/Legal/Tariffs/displayTariffLandingPage.html>

(D)

ISSUE DATE:
April 16, 2015

Issued Under Transmittal No. 69
Vice President-Regulatory Operations
100 CenturyLink Drive
Monroe, Louisiana 71203

EFFECTIVE DATE:
May 1, 2015

ACCESS SERVICE

- 7. Special Access Service (Cont'd)
 - 7.5 Rates and Charges (Cont'd)
 - 7.5.18 ⁽¹⁾

(D)

⁽¹⁾ The CenturyLink services previously identified on this page are no longer offered under tariff. Effective March 13, 2015 the Commission granted forbearance from dominant carrier regulation of these services. http://transition.fcc.gov/Daily_Releases/Daily_Business/2015/db0316/DOC-332526A1.pdf
The rates, terms and conditions associated with these services are now available at:
<http://www.centurylink.com/Pages/AboutUs/Legal/Tariffs/displayTariffLandingPage.html>

(D)

ISSUE DATE:
April 16, 2015

Issued Under Transmittal No. 69
Vice President-Regulatory Operations
100 CenturyLink Drive
Monroe, Louisiana 71203

EFFECTIVE DATE:
May 1, 2015

ACCESS SERVICE

- 7. Special Access Service (Cont'd)
 - 7.5 Rates and Charges (Cont'd)
 - 7.5.18 ⁽¹⁾

(D)

⁽¹⁾ The CenturyLink services previously identified on this page are no longer offered under tariff. Effective March 13, 2015 the Commission granted forbearance from dominant carrier regulation of these services. http://transition.fcc.gov/Daily_Releases/Daily_Business/2015/db0316/DOC-332526A1.pdf
The rates, terms and conditions associated with these services are now available at:
<http://www.centurylink.com/Pages/AboutUs/Legal/Tariffs/displayTariffLandingPage.html>

(D)

ISSUE DATE:
April 16, 2015

Issued Under Transmittal No. 69
Vice President-Regulatory Operations
100 CenturyLink Drive
Monroe, Louisiana 71203

EFFECTIVE DATE:
May 1, 2015

ACCESS SERVICE

- 7. Special Access Service (Cont'd)
 - 7.5 Rates and Charges (Cont'd)
 - 7.5.18 ⁽¹⁾

(D)

⁽¹⁾ The CenturyLink services previously identified on this page are no longer offered under tariff. Effective March 13, 2015 the Commission granted forbearance from dominant carrier regulation of these services. http://transition.fcc.gov/Daily_Releases/Daily_Business/2015/db0316/DOC-332526A1.pdf
The rates, terms and conditions associated with these services are now available at:
<http://www.centurylink.com/Pages/AboutUs/Legal/Tariffs/displayTariffLandingPage.html>

(D)

ISSUE DATE:
April 16, 2015

Issued Under Transmittal No. 69
Vice President-Regulatory Operations
100 CenturyLink Drive
Monroe, Louisiana 71203

EFFECTIVE DATE:
May 1, 2015

ACCESS SERVICE

7. Special Access Service (Cont'd)

7.5 Rates and Charges (Cont'd)

7.5.18 ⁽¹⁾

(D)

(D)

⁽¹⁾ The CenturyLink services previously identified on this page are no longer offered under tariff. Effective March 13, 2015 the Commission granted forbearance from dominant carrier regulation of these services. http://transition.fcc.gov/Daily_Releases/Daily_Business/2015/db0316/DOC-332526A1.pdf
The rates, terms and conditions associated with these services are now available at:
<http://www.centurylink.com/Pages/AboutUs/Legal/Tariffs/displayTariffLandingPage.html>

ISSUE DATE:
April 16, 2015

Issued Under Transmittal No. 69
Vice President-Regulatory Operations
100 CenturyLink Drive
Monroe, Louisiana 71203

EFFECTIVE DATE:
May 1, 2015

ACCESS SERVICE

- 7. Special Access Service (Cont'd)
- 7.5 Rates and Charges (Cont'd)
- 7.5.18 ⁽¹⁾

(D)

⁽¹⁾ The CenturyLink services previously identified on this page are no longer offered under tariff. Effective March 13, 2015 the Commission granted forbearance from dominant carrier regulation of these services. http://transition.fcc.gov/Daily_Releases/Daily_Business/2015/db0316/DOC-332526A1.pdf
The rates, terms and conditions associated with these services are now available at:
<http://www.centurylink.com/Pages/AboutUs/Legal/Tariffs/displayTariffLandingPage.html>

(D)

ISSUE DATE:
April 16, 2015

Issued Under Transmittal No. 69
Vice President-Regulatory Operations
100 CenturyLink Drive
Monroe, Louisiana 71203

EFFECTIVE DATE:
May 1, 2015

ACCESS SERVICE

- 7. Special Access Service (Cont'd)
- 7.5 Rates and Charges (Cont'd)
- 7.5.18 ⁽¹⁾

(D)

(1) The CenturyLink services previously identified on this page are no longer offered under tariff. Effective March 13, 2015 the Commission granted forbearance from dominant carrier regulation of these services. http://transition.fcc.gov/Daily_Releases/Daily_Business/2015/db0316/DOC-332526A1.pdf
The rates, terms and conditions associated with these services are now available at:
<http://www.centurylink.com/Pages/AboutUs/Legal/Tariffs/displayTariffLandingPage.html>

(D)

ISSUE DATE:
April 16, 2015

Issued Under Transmittal No. 69
Vice President-Regulatory Operations
100 CenturyLink Drive
Monroe, Louisiana 71203

EFFECTIVE DATE:
May 1, 2015

ACCESS SERVICE

- 7. Special Access Service (Cont'd)
- 7.5 Rates and Charges (Cont'd)
- 7.5.18 ⁽¹⁾

(D)

⁽¹⁾ The CenturyLink services previously identified on this page are no longer offered under tariff. Effective March 13, 2015 the Commission granted forbearance from dominant carrier regulation of these services. http://transition.fcc.gov/Daily_Releases/Daily_Business/2015/db0316/DOC-332526A1.pdf
The rates, terms and conditions associated with these services are now available at:
<http://www.centurylink.com/Pages/AboutUs/Legal/Tariffs/displayTariffLandingPage.html>

(D)

ISSUE DATE:
April 16, 2015

Issued Under Transmittal No. 69
Vice President-Regulatory Operations
100 CenturyLink Drive
Monroe, Louisiana 71203

EFFECTIVE DATE:
May 1, 2015

ACCESS SERVICE

- 7. Special Access Service (Cont'd)
 - 7.5 Rates and Charges (Cont'd)
 - 7.5.18 ⁽¹⁾

(D)

⁽¹⁾ The CenturyLink services previously identified on this page are no longer offered under tariff. Effective March 13, 2015 the Commission granted forbearance from dominant carrier regulation of these services. http://transition.fcc.gov/Daily_Releases/Daily_Business/2015/db0316/DOC-332526A1.pdf
The rates, terms and conditions associated with these services are now available at:
<http://www.centurylink.com/Pages/AboutUs/Legal/Tariffs/displayTariffLandingPage.html>

(D)

ISSUE DATE:
April 16, 2015

Issued Under Transmittal No. 69
Vice President-Regulatory Operations
100 CenturyLink Drive
Monroe, Louisiana 71203

EFFECTIVE DATE:
May 1, 2015

ACCESS SERVICE

7. Special Access Service (Cont'd)

7.5 Rates and Charges (Cont'd)

7.5.18 ⁽¹⁾

(D)

⁽¹⁾ The CenturyLink services previously identified on this page are no longer offered under tariff. Effective March 13, 2015 the Commission granted forbearance from dominant carrier regulation of these services. http://transition.fcc.gov/Daily_Releases/Daily_Business/2015/db0316/DOC-332526A1.pdf
The rates, terms and conditions associated with these services are now available at:
<http://www.centurylink.com/Pages/AboutUs/Legal/Tariffs/displayTariffLandingPage.html>

(D)

ISSUE DATE:
April 16, 2015

Issued Under Transmittal No. 69
Vice President-Regulatory Operations
100 CenturyLink Drive
Monroe, Louisiana 71203

EFFECTIVE DATE:
May 1, 2015

ACCESS SERVICE

- 7. Special Access Service (Cont'd)
 - 7.5 Rates and Charges (Cont'd)
 - 7.5.18 ⁽¹⁾

(D)

⁽¹⁾ The CenturyLink services previously identified on this page are no longer offered under tariff. Effective March 13, 2015 the Commission granted forbearance from dominant carrier regulation of these services. http://transition.fcc.gov/Daily_Releases/Daily_Business/2015/db0316/DOC-332526A1.pdf
The rates, terms and conditions associated with these services are now available at:
<http://www.centurylink.com/Pages/AboutUs/Legal/Tariffs/displayTariffLandingPage.html>

(D)

ISSUE DATE:
April 16, 2015

Issued Under Transmittal No. 69
Vice President-Regulatory Operations
100 CenturyLink Drive
Monroe, Louisiana 71203

EFFECTIVE DATE:
May 1, 2015

ACCESS SERVICE

- 7. Special Access Service (Cont'd)
- 7.5 Rates and Charges (Cont'd)
- 7.5.18 ⁽¹⁾

(D)

⁽¹⁾ The CenturyLink services previously identified on this page are no longer offered under tariff. Effective March 13, 2015 the Commission granted forbearance from dominant carrier regulation of these services. http://transition.fcc.gov/Daily_Releases/Daily_Business/2015/db0316/DOC-332526A1.pdf
The rates, terms and conditions associated with these services are now available at:
<http://www.centurylink.com/Pages/AboutUs/Legal/Tariffs/displayTariffLandingPage.html>

(D)

ISSUE DATE:
April 16, 2015

Issued Under Transmittal No. 69
Vice President-Regulatory Operations
100 CenturyLink Drive
Monroe, Louisiana 71203

EFFECTIVE DATE:
May 1, 2015

ACCESS SERVICE

- 7. Special Access Service (Cont'd)
 - 7.5 Rates and Charges (Cont'd)
 - 7.5.18 ⁽¹⁾

(D)

⁽¹⁾ The CenturyLink services previously identified on this page are no longer offered under tariff. Effective March 13, 2015 the Commission granted forbearance from dominant carrier regulation of these services. http://transition.fcc.gov/Daily_Releases/Daily_Business/2015/db0316/DOC-332526A1.pdf
The rates, terms and conditions associated with these services are now available at:
<http://www.centurylink.com/Pages/AboutUs/Legal/Tariffs/displayTariffLandingPage.html>

(D)

ISSUE DATE:
April 16, 2015

Issued Under Transmittal No. 69
Vice President-Regulatory Operations
100 CenturyLink Drive
Monroe, Louisiana 71203

EFFECTIVE DATE:
May 1, 2015

ACCESS SERVICE

- 7. Special Access Service (Cont'd)
- 7.5 Rates and Charges (Cont'd)
- 7.5.18 ⁽¹⁾

(D)

⁽¹⁾ The CenturyLink services previously identified on this page are no longer offered under tariff. Effective March 13, 2015 the Commission granted forbearance from dominant carrier regulation of these services. http://transition.fcc.gov/Daily_Releases/Daily_Business/2015/db0316/DOC-332526A1.pdf
The rates, terms and conditions associated with these services are now available at:
<http://www.centurylink.com/Pages/AboutUs/Legal/Tariffs/displayTariffLandingPage.html>

(D)

ISSUE DATE:
April 16, 2015

Issued Under Transmittal No. 69
Vice President-Regulatory Operations
100 CenturyLink Drive
Monroe, Louisiana 71203

EFFECTIVE DATE:
May 1, 2015

ACCESS SERVICE

7. Special Access Service (Cont'd)

7.5 Rates and Charges (Cont'd)

7.5.18 ⁽¹⁾

(D)

⁽¹⁾ The CenturyLink services previously identified on this page are no longer offered under tariff. Effective March 13, 2015 the Commission granted forbearance from dominant carrier regulation of these services. http://transition.fcc.gov/Daily_Releases/Daily_Business/2015/db0316/DOC-332526A1.pdf
The rates, terms and conditions associated with these services are now available at:
<http://www.centurylink.com/Pages/AboutUs/Legal/Tariffs/displayTariffLandingPage.html>

(D)

ISSUE DATE:
April 16, 2015

Issued Under Transmittal No. 69
Vice President-Regulatory Operations
100 CenturyLink Drive
Monroe, Louisiana 71203

EFFECTIVE DATE:
May 1, 2015

ACCESS SERVICE

7. Special Access Service (Cont'd)

7.5 Rates and Charges (Cont'd)

7.5.18 ⁽¹⁾

(D)

⁽¹⁾ The CenturyLink services previously identified on this page are no longer offered under tariff. Effective March 13, 2015 the Commission granted forbearance from dominant carrier regulation of these services. http://transition.fcc.gov/Daily_Releases/Daily_Business/2015/db0316/DOC-332526A1.pdf
The rates, terms and conditions associated with these services are now available at:
<http://www.centurylink.com/Pages/AboutUs/Legal/Tariffs/displayTariffLandingPage.html>

(D)

ISSUE DATE:
April 16, 2015

Issued Under Transmittal No. 69
Vice President-Regulatory Operations
100 CenturyLink Drive
Monroe, Louisiana 71203

EFFECTIVE DATE:
May 1, 2015

ACCESS SERVICE

7. Special Access Service (Cont'd)

7.5 Rates and Charges (Cont'd)

7.5.18 ⁽¹⁾

(D)

⁽¹⁾ The CenturyLink services previously identified on this page are no longer offered under tariff. Effective March 13, 2015 the Commission granted forbearance from dominant carrier regulation of these services. http://transition.fcc.gov/Daily_Releases/Daily_Business/2015/db0316/DOC-332526A1.pdf
The rates, terms and conditions associated with these services are now available at:
<http://www.centurylink.com/Pages/AboutUs/Legal/Tariffs/displayTariffLandingPage.html>

(D)

ISSUE DATE:
April 16, 2015

Issued Under Transmittal No. 69
Vice President-Regulatory Operations
100 CenturyLink Drive
Monroe, Louisiana 71203

EFFECTIVE DATE:
May 1, 2015

ACCESS SERVICE

- 7. Special Access Service (Cont'd)
 - 7.5 Rates and Charges (Cont'd)
 - 7.5.18 ⁽¹⁾

⁽¹⁾ The CenturyLink services previously identified on this page are no longer offered under tariff. Effective March 13, 2015 the Commission granted forbearance from dominant carrier regulation of these services. http://transition.fcc.gov/Daily_Releases/Daily_Business/2015/db0316/DOC-332526A1.pdf
The rates, terms and conditions associated with these services are now available at:
<http://www.centurylink.com/Pages/AboutUs/Legal/Tariffs/displayTariffLandingPage.html>

ISSUE DATE:
April 16, 2015

Issued Under Transmittal No. 69
Vice President-Regulatory Operations
100 CenturyLink Drive
Monroe, Louisiana 71203

EFFECTIVE DATE:
May 1, 2015

ACCESS SERVICE

- 7. Special Access Service (Cont'd)
- 7.5 Rates and Charges (Cont'd)
- 7.5.18 ⁽¹⁾

(D)

⁽¹⁾ The CenturyLink services previously identified on this page are no longer offered under tariff. Effective March 13, 2015 the Commission granted forbearance from dominant carrier regulation of these services. http://transition.fcc.gov/Daily_Releases/Daily_Business/2015/db0316/DOC-332526A1.pdf
The rates, terms and conditions associated with these services are now available at:
<http://www.centurylink.com/Pages/AboutUs/Legal/Tariffs/displayTariffLandingPage.html>

(D)

ISSUE DATE:
April 16, 2015

Issued Under Transmittal No. 69
Vice President-Regulatory Operations
100 CenturyLink Drive
Monroe, Louisiana 71203

EFFECTIVE DATE:
May 1, 2015

ACCESS SERVICE

7. Special Access Service (Cont'd)

7.5 Rates and Charges (Cont'd)

7.5.18 ⁽¹⁾

(D)

(D)

⁽¹⁾ The CenturyLink services previously identified on this page are no longer offered under tariff. Effective March 13, 2015 the Commission granted forbearance from dominant carrier regulation of these services. http://transition.fcc.gov/Daily_Releases/Daily_Business/2015/db0316/DOC-332526A1.pdf
The rates, terms and conditions associated with these services are now available at:
<http://www.centurylink.com/Pages/AboutUs/Legal/Tariffs/displayTariffLandingPage.html>

ISSUE DATE:
April 16, 2015

Issued Under Transmittal No. 69
Vice President-Regulatory Operations
100 CenturyLink Drive
Monroe, Louisiana 71203

EFFECTIVE DATE:
May 1, 2015

ACCESS SERVICE

- 7. Special Access Service (Cont'd)
 - 7.5 Rates and Charges (Cont'd)
 - 7.5.18 ⁽¹⁾

(D)

⁽¹⁾ The CenturyLink services previously identified on this page are no longer offered under tariff. Effective March 13, 2015 the Commission granted forbearance from dominant carrier regulation of these services. http://transition.fcc.gov/Daily_Releases/Daily_Business/2015/db0316/DOC-332526A1.pdf
The rates, terms and conditions associated with these services are now available at:
<http://www.centurylink.com/Pages/AboutUs/Legal/Tariffs/displayTariffLandingPage.html>

(D)

ISSUE DATE:
April 16, 2015

Issued Under Transmittal No. 69
Vice President-Regulatory Operations
100 CenturyLink Drive
Monroe, Louisiana 71203

EFFECTIVE DATE:
May 1, 2015

ACCESS SERVICE

- 7. Special Access Service (Cont'd)
 - 7.5 Rates and Charges (Cont'd)
 - 7.5.18 ⁽¹⁾

(D)

⁽¹⁾ The CenturyLink services previously identified on this page are no longer offered under tariff. Effective March 13, 2015 the Commission granted forbearance from dominant carrier regulation of these services. http://transition.fcc.gov/Daily_Releases/Daily_Business/2015/db0316/DOC-332526A1.pdf
The rates, terms and conditions associated with these services are now available at:
<http://www.centurylink.com/Pages/AboutUs/Legal/Tariffs/displayTariffLandingPage.html>

(D)

ISSUE DATE:
April 16, 2015

Issued Under Transmittal No. 69
Vice President-Regulatory Operations
100 CenturyLink Drive
Monroe, Louisiana 71203

EFFECTIVE DATE:
May 1, 2015

ACCESS SERVICE

- 7. Special Access Service (Cont'd)
- 7.5 Rates and Charges (Cont'd)
- 7.5.18 ⁽¹⁾

(D)

⁽¹⁾ The CenturyLink services previously identified on this page are no longer offered under tariff. Effective March 13, 2015 the Commission granted forbearance from dominant carrier regulation of these services. http://transition.fcc.gov/Daily_Releases/Daily_Business/2015/db0316/DOC-332526A1.pdf
The rates, terms and conditions associated with these services are now available at:
<http://www.centurylink.com/Pages/AboutUs/Legal/Tariffs/displayTariffLandingPage.html>

(D)

ISSUE DATE:
April 16, 2015

Issued Under Transmittal No. 69
Vice President-Regulatory Operations
100 CenturyLink Drive
Monroe, Louisiana 71203

EFFECTIVE DATE:
May 1, 2015

ACCESS SERVICE

- 7. Special Access Service (Cont'd)
- 7.5 Rates and Charges (Cont'd)
- 7.5.18 ⁽¹⁾

(D)

⁽¹⁾ The CenturyLink services previously identified on this page are no longer offered under tariff. Effective March 13, 2015 the Commission granted forbearance from dominant carrier regulation of these services. http://transition.fcc.gov/Daily_Releases/Daily_Business/2015/db0316/DOC-332526A1.pdf
The rates, terms and conditions associated with these services are now available at:
<http://www.centurylink.com/Pages/AboutUs/Legal/Tariffs/displayTariffLandingPage.html>

(D)

ISSUE DATE:
April 16, 2015

Issued Under Transmittal No. 69
Vice President-Regulatory Operations
100 CenturyLink Drive
Monroe, Louisiana 71203

EFFECTIVE DATE:
May 1, 2015

ACCESS SERVICE

- 7. Special Access Service (Cont'd)
- 7.5 Rates and Charges (Cont'd)
- 7.5.18 ⁽¹⁾

(D)

⁽¹⁾ The CenturyLink services previously identified on this page are no longer offered under tariff. Effective March 13, 2015 the Commission granted forbearance from dominant carrier regulation of these services. http://transition.fcc.gov/Daily_Releases/Daily_Business/2015/db0316/DOC-332526A1.pdf
The rates, terms and conditions associated with these services are now available at:
<http://www.centurylink.com/Pages/AboutUs/Legal/Tariffs/displayTariffLandingPage.html>

(D)

ISSUE DATE:
April 16, 2015

Issued Under Transmittal No. 69
Vice President-Regulatory Operations
100 CenturyLink Drive
Monroe, Louisiana 71203

EFFECTIVE DATE:
May 1, 2015

ACCESS SERVICE

- 7. Special Access Service (Cont'd)
 - 7.5 Rates and Charges (Cont'd)
 - 7.5.18 ⁽¹⁾

(D)

⁽¹⁾ The CenturyLink services previously identified on this page are no longer offered under tariff. Effective March 13, 2015 the Commission granted forbearance from dominant carrier regulation of these services. http://transition.fcc.gov/Daily_Releases/Daily_Business/2015/db0316/DOC-332526A1.pdf
The rates, terms and conditions associated with these services are now available at:
<http://www.centurylink.com/Pages/AboutUs/Legal/Tariffs/displayTariffLandingPage.html>

(D)

ISSUE DATE:
April 16, 2015

Issued Under Transmittal No. 69
Vice President-Regulatory Operations
100 CenturyLink Drive
Monroe, Louisiana 71203

EFFECTIVE DATE:
May 1, 2015

ACCESS SERVICE

7. Special Access Service (Cont'd)

7.5 Rates and Charges (Cont'd)

7.5.18 ⁽¹⁾

(D)

⁽¹⁾ The CenturyLink services previously identified on this page are no longer offered under tariff. Effective March 13, 2015 the Commission granted forbearance from dominant carrier regulation of these services. http://transition.fcc.gov/Daily_Releases/Daily_Business/2015/db0316/DOC-332526A1.pdf
The rates, terms and conditions associated with these services are now available at:
<http://www.centurylink.com/Pages/AboutUs/Legal/Tariffs/displayTariffLandingPage.html>

(D)

ISSUE DATE:
April 16, 2015

Issued Under Transmittal No. 69
Vice President-Regulatory Operations
100 CenturyLink Drive
Monroe, Louisiana 71203

EFFECTIVE DATE:
May 1, 2015

ACCESS SERVICE

7. Special Access Service (Cont'd)

7.5 Rates and Charges (Cont'd)

7.5.18 ⁽¹⁾

(D)

⁽¹⁾ The CenturyLink services previously identified on this page are no longer offered under tariff. Effective March 13, 2015 the Commission granted forbearance from dominant carrier regulation of these services. http://transition.fcc.gov/Daily_Releases/Daily_Business/2015/db0316/DOC-332526A1.pdf
The rates, terms and conditions associated with these services are now available at:
<http://www.centurylink.com/Pages/AboutUs/Legal/Tariffs/displayTariffLandingPage.html>

(D)

ISSUE DATE:
April 16, 2015

Issued Under Transmittal No. 69
Vice President-Regulatory Operations
100 CenturyLink Drive
Monroe, Louisiana 71203

EFFECTIVE DATE:
May 1, 2015

ACCESS SERVICE

7. Special Access Service (Cont'd)

7.5 Rates and Charges (Cont'd)

7.5.18 ⁽¹⁾

(D)

⁽¹⁾ The CenturyLink services previously identified on this page are no longer offered under tariff. Effective March 13, 2015 the Commission granted forbearance from dominant carrier regulation of these services. http://transition.fcc.gov/Daily_Releases/Daily_Business/2015/db0316/DOC-332526A1.pdf
The rates, terms and conditions associated with these services are now available at:
<http://www.centurylink.com/Pages/AboutUs/Legal/Tariffs/displayTariffLandingPage.html>

(D)

ISSUE DATE:
April 16, 2015

Issued Under Transmittal No. 69
Vice President-Regulatory Operations
100 CenturyLink Drive
Monroe, Louisiana 71203

EFFECTIVE DATE:
May 1, 2015

ACCESS SERVICE

7. Special Access Service (Cont'd)

7.5 Rates and Charges (Cont'd)

7.5.18 ⁽¹⁾

(D)

⁽¹⁾ The CenturyLink services previously identified on this page are no longer offered under tariff. Effective March 13, 2015 the Commission granted forbearance from dominant carrier regulation of these services. http://transition.fcc.gov/Daily_Releases/Daily_Business/2015/db0316/DOC-332526A1.pdf
The rates, terms and conditions associated with these services are now available at:
<http://www.centurylink.com/Pages/AboutUs/Legal/Tariffs/displayTariffLandingPage.html>

(D)

ISSUE DATE:
April 16, 2015

Issued Under Transmittal No. 69
Vice President-Regulatory Operations
100 CenturyLink Drive
Monroe, Louisiana 71203

EFFECTIVE DATE:
May 1, 2015

ACCESS SERVICE

- 7. Special Access Service (Cont'd)
 - 7.5 Rates and Charges (Cont'd)
 - 7.5.19 ⁽¹⁾

(D)

⁽¹⁾ The CenturyLink services previously identified on this page are no longer offered under tariff. Effective March 13, 2015 the Commission granted forbearance from dominant carrier regulation of these services. http://transition.fcc.gov/Daily_Releases/Daily_Business/2015/db0316/DOC-332526A1.pdf
The rates, terms and conditions associated with these services are now available at:
<http://www.centurylink.com/Pages/AboutUs/Legal/Tariffs/displayTariffLandingPage.html>

(D)

ISSUE DATE:
April 16, 2015

Issued Under Transmittal No. 69
Vice President-Regulatory Operations
100 CenturyLink Drive
Monroe, Louisiana 71203

EFFECTIVE DATE:
May 1, 2015

ACCESS SERVICE

- 7. Special Access Service (Cont'd)
 - 7.5 Rates and Charges (Cont'd)
 - 7.5.19 ⁽¹⁾

(D)

⁽¹⁾ The CenturyLink services previously identified on this page are no longer offered under tariff. Effective March 13, 2015 the Commission granted forbearance from dominant carrier regulation of these services. http://transition.fcc.gov/Daily_Releases/Daily_Business/2015/db0316/DOC-332526A1.pdf
The rates, terms and conditions associated with these services are now available at:
<http://www.centurylink.com/Pages/AboutUs/Legal/Tariffs/displayTariffLandingPage.html>

(D)

ISSUE DATE:
April 16, 2015

Issued Under Transmittal No. 69
Vice President-Regulatory Operations
100 CenturyLink Drive
Monroe, Louisiana 71203

EFFECTIVE DATE:
May 1, 2015

ACCESS SERVICE

7. Special Access Service (Cont'd)

7.5 Rates and Charges (Cont'd)

7.5.19 ⁽¹⁾

(D)

⁽¹⁾ The CenturyLink services previously identified on this page are no longer offered under tariff. Effective March 13, 2015 the Commission granted forbearance from dominant carrier regulation of these services. http://transition.fcc.gov/Daily_Releases/Daily_Business/2015/db0316/DOC-332526A1.pdf
The rates, terms and conditions associated with these services are now available at:
<http://www.centurylink.com/Pages/AboutUs/Legal/Tariffs/displayTariffLandingPage.html>

(D)

ISSUE DATE:
April 16, 2015

Issued Under Transmittal No. 69
Vice President-Regulatory Operations
100 CenturyLink Drive
Monroe, Louisiana 71203

EFFECTIVE DATE:
May 1, 2015

ACCESS SERVICE

- 7. Special Access Service (Cont'd)
 - 7.5 Rates and Charges (Cont'd)
 - 7.5.19 ⁽¹⁾

(D)

⁽¹⁾ The CenturyLink services previously identified on this page are no longer offered under tariff. Effective March 13, 2015 the Commission granted forbearance from dominant carrier regulation of these services. http://transition.fcc.gov/Daily_Releases/Daily_Business/2015/db0316/DOC-332526A1.pdf
The rates, terms and conditions associated with these services are now available at:
<http://www.centurylink.com/Pages/AboutUs/Legal/Tariffs/displayTariffLandingPage.html>

(D)

ISSUE DATE:
April 16, 2015

Issued Under Transmittal No. 69
Vice President-Regulatory Operations
100 CenturyLink Drive
Monroe, Louisiana 71203

EFFECTIVE DATE:
May 1, 2015

ACCESS SERVICE

- 7. Special Access Service (Cont'd)
- 7.5 Rates and Charges (Cont'd)
- 7.5.19 ⁽¹⁾

(D)

⁽¹⁾ The CenturyLink services previously identified on this page are no longer offered under tariff. Effective March 13, 2015 the Commission granted forbearance from dominant carrier regulation of these services. http://transition.fcc.gov/Daily_Releases/Daily_Business/2015/db0316/DOC-332526A1.pdf
The rates, terms and conditions associated with these services are now available at:
<http://www.centurylink.com/Pages/AboutUs/Legal/Tariffs/displayTariffLandingPage.html>

(D)

ISSUE DATE:
April 16, 2015

Issued Under Transmittal No. 69
Vice President-Regulatory Operations
100 CenturyLink Drive
Monroe, Louisiana 71203

EFFECTIVE DATE:
May 1, 2015

ACCESS SERVICE

- 7. Special Access Service (Cont'd)
- 7.5 Rates and Charges (Cont'd)
- 7.5.19 ⁽¹⁾

(D)

⁽¹⁾ The CenturyLink services previously identified on this page are no longer offered under tariff. Effective March 13, 2015 the Commission granted forbearance from dominant carrier regulation of these services. http://transition.fcc.gov/Daily_Releases/Daily_Business/2015/db0316/DOC-332526A1.pdf
The rates, terms and conditions associated with these services are now available at:
<http://www.centurylink.com/Pages/AboutUs/Legal/Tariffs/displayTariffLandingPage.html>

(D)

ISSUE DATE:
April 16, 2015

Issued Under Transmittal No. 69
Vice President-Regulatory Operations
100 CenturyLink Drive
Monroe, Louisiana 71203

EFFECTIVE DATE:
May 1, 2015

ACCESS SERVICE

7. Special Access Service (Cont'd)

7.5 Rates and Charges (Cont'd)

7.5.19 ⁽¹⁾

(D)

⁽¹⁾ The CenturyLink services previously identified on this page are no longer offered under tariff. Effective March 13, 2015 the Commission granted forbearance from dominant carrier regulation of these services. http://transition.fcc.gov/Daily_Releases/Daily_Business/2015/db0316/DOC-332526A1.pdf
The rates, terms and conditions associated with these services are now available at:
<http://www.centurylink.com/Pages/AboutUs/Legal/Tariffs/displayTariffLandingPage.html>

(D)

ISSUE DATE:
April 16, 2015

Issued Under Transmittal No. 69
Vice President-Regulatory Operations
100 CenturyLink Drive
Monroe, Louisiana 71203

EFFECTIVE DATE:
May 1, 2015

ACCESS SERVICE

7. Special Access Service (Cont'd)

7.5 Rates and Charges (Cont'd)

7.5.19 ⁽¹⁾

(D)

⁽¹⁾ The CenturyLink services previously identified on this page are no longer offered under tariff. Effective March 13, 2015 the Commission granted forbearance from dominant carrier regulation of these services. http://transition.fcc.gov/Daily_Releases/Daily_Business/2015/db0316/DOC-332526A1.pdf
The rates, terms and conditions associated with these services are now available at:
<http://www.centurylink.com/Pages/AboutUs/Legal/Tariffs/displayTariffLandingPage.html>

(D)

ISSUE DATE:
April 16, 2015

Issued Under Transmittal No. 69
Vice President-Regulatory Operations
100 CenturyLink Drive
Monroe, Louisiana 71203

EFFECTIVE DATE:
May 1, 2015

ACCESS SERVICE

- 7. Special Access Service (Cont'd)
 - 7.5 Rates and Charges (Cont'd)
 - 7.5.19 ⁽¹⁾

(D)

⁽¹⁾ The CenturyLink services previously identified on this page are no longer offered under tariff. Effective March 13, 2015 the Commission granted forbearance from dominant carrier regulation of these services. http://transition.fcc.gov/Daily_Releases/Daily_Business/2015/db0316/DOC-332526A1.pdf
The rates, terms and conditions associated with these services are now available at:
<http://www.centurylink.com/Pages/AboutUs/Legal/Tariffs/displayTariffLandingPage.html>

(D)

ISSUE DATE:
April 16, 2015

Issued Under Transmittal No. 69
Vice President-Regulatory Operations
100 CenturyLink Drive
Monroe, Louisiana 71203

EFFECTIVE DATE:
May 1, 2015

ACCESS SERVICE

- 7. Special Access Service (Cont'd)
- 7.5 Rates and Charges (Cont'd)
- 7.5.19 ⁽¹⁾

(D)

⁽¹⁾ The CenturyLink services previously identified on this page are no longer offered under tariff. Effective March 13, 2015 the Commission granted forbearance from dominant carrier regulation of these services. http://transition.fcc.gov/Daily_Releases/Daily_Business/2015/db0316/DOC-332526A1.pdf
The rates, terms and conditions associated with these services are now available at:
<http://www.centurylink.com/Pages/AboutUs/Legal/Tariffs/displayTariffLandingPage.html>

(D)

ISSUE DATE:
April 16, 2015

Issued Under Transmittal No. 69
Vice President-Regulatory Operations
100 CenturyLink Drive
Monroe, Louisiana 71203

EFFECTIVE DATE:
May 1, 2015

ACCESS SERVICE

7. Special Access Service (Cont'd)

7.5 Rates and Charges (Cont'd)

7.5.19 ⁽¹⁾

(D)

(D)

⁽¹⁾ The CenturyLink services previously identified on this page are no longer offered under tariff. Effective March 13, 2015 the Commission granted forbearance from dominant carrier regulation of these services. http://transition.fcc.gov/Daily_Releases/Daily_Business/2015/db0316/DOC-332526A1.pdf
The rates, terms and conditions associated with these services are now available at:
<http://www.centurylink.com/Pages/AboutUs/Legal/Tariffs/displayTariffLandingPage.html>

ISSUE DATE:
April 16, 2015

Issued Under Transmittal No. 69
Vice President-Regulatory Operations
100 CenturyLink Drive
Monroe, Louisiana 71203

EFFECTIVE DATE:
May 1, 2015

ACCESS SERVICE

- 7. Special Access Service (Cont'd)
 - 7.5 Rates and Charges (Cont'd)
 - 7.5.19 ⁽¹⁾

(D)

⁽¹⁾ The CenturyLink services previously identified on this page are no longer offered under tariff. Effective March 13, 2015 the Commission granted forbearance from dominant carrier regulation of these services. http://transition.fcc.gov/Daily_Releases/Daily_Business/2015/db0316/DOC-332526A1.pdf
The rates, terms and conditions associated with these services are now available at:
<http://www.centurylink.com/Pages/AboutUs/Legal/Tariffs/displayTariffLandingPage.html>

(D)

ISSUE DATE:
April 16, 2015

Issued Under Transmittal No. 69
Vice President-Regulatory Operations
100 CenturyLink Drive
Monroe, Louisiana 71203

EFFECTIVE DATE:
May 1, 2015

ACCESS SERVICE

7. Special Access Service (Cont'd)

7.5 Rates and Charges (Cont'd)

7.5.19 ⁽¹⁾

(D)

(D)

⁽¹⁾ The CenturyLink services previously identified on this page are no longer offered under tariff. Effective March 13, 2015 the Commission granted forbearance from dominant carrier regulation of these services. http://transition.fcc.gov/Daily_Releases/Daily_Business/2015/db0316/DOC-332526A1.pdf
The rates, terms and conditions associated with these services are now available at:
<http://www.centurylink.com/Pages/AboutUs/Legal/Tariffs/displayTariffLandingPage.html>

ISSUE DATE:
April 16, 2015

Issued Under Transmittal No. 69
Vice President-Regulatory Operations
100 CenturyLink Drive
Monroe, Louisiana 71203

EFFECTIVE DATE:
May 1, 2015

ACCESS SERVICE

- 7. Special Access Service (Cont'd)
 - 7.5 Rates and Charges (Cont'd)
 - 7.5.19 ⁽¹⁾

(D)

(D)

⁽¹⁾ The CenturyLink services previously identified on this page are no longer offered under tariff. Effective March 13, 2015 the Commission granted forbearance from dominant carrier regulation of these services. http://transition.fcc.gov/Daily_Releases/Daily_Business/2015/db0316/DOC-332526A1.pdf
The rates, terms and conditions associated with these services are now available at:
<http://www.centurylink.com/Pages/AboutUs/Legal/Tariffs/displayTariffLandingPage.html>

ISSUE DATE:
April 16, 2015

Issued Under Transmittal No. 69
Vice President-Regulatory Operations
100 CenturyLink Drive
Monroe, Louisiana 71203

EFFECTIVE DATE:
May 1, 2015

ACCESS SERVICE

7. Special Access Service (Cont'd)

7.5 Rates and Charges (Cont'd)

7.5.20 ⁽¹⁾

(D)

(D)

⁽¹⁾ The CenturyLink services previously identified on this page are no longer offered under tariff. Effective March 13, 2015 the Commission granted forbearance from dominant carrier regulation of these services. http://transition.fcc.gov/Daily_Releases/Daily_Business/2015/db0316/DOC-332526A1.pdf
The rates, terms and conditions associated with these services are now available at:
<http://www.centurylink.com/Pages/AboutUs/Legal/Tariffs/displayTariffLandingPage.html>

ISSUE DATE:
April 16, 2015

Issued Under Transmittal No. 69
Vice President-Regulatory Operations
100 CenturyLink Drive
Monroe, Louisiana 71203

EFFECTIVE DATE:
May 1, 2015

ACCESS SERVICE

- 7. Special Access Service (Cont'd)
- 7.5 Rates and Charges (Cont'd)
- 7.5.20 ⁽¹⁾

(D)

⁽¹⁾ The CenturyLink services previously identified on this page are no longer offered under tariff. Effective March 13, 2015 the Commission granted forbearance from dominant carrier regulation of these services. http://transition.fcc.gov/Daily_Releases/Daily_Business/2015/db0316/DOC-332526A1.pdf
The rates, terms and conditions associated with these services are now available at:
<http://www.centurylink.com/Pages/AboutUs/Legal/Tariffs/displayTariffLandingPage.html>

(D)

ISSUE DATE:
April 16, 2015

Issued Under Transmittal No. 69
Vice President-Regulatory Operations
100 CenturyLink Drive
Monroe, Louisiana 71203

EFFECTIVE DATE:
May 1, 2015

ACCESS SERVICE

7. Special Access Service (Cont'd)

7.5 Rates and Charges (Cont'd)

7.5.20 ⁽¹⁾

(D)

(D)

⁽¹⁾ The CenturyLink services previously identified on this page are no longer offered under tariff. Effective March 13, 2015 the Commission granted forbearance from dominant carrier regulation of these services. http://transition.fcc.gov/Daily_Releases/Daily_Business/2015/db0316/DOC-332526A1.pdf
The rates, terms and conditions associated with these services are now available at:
<http://www.centurylink.com/Pages/AboutUs/Legal/Tariffs/displayTariffLandingPage.html>

ISSUE DATE:
April 16, 2015

Issued Under Transmittal No. 69
Vice President-Regulatory Operations
100 CenturyLink Drive
Monroe, Louisiana 71203

EFFECTIVE DATE:
May 1, 2015

ACCESS SERVICE

7. Special Access Service (Cont'd)

7.5 Rates and Charges (Cont'd)

7.5.20 ⁽¹⁾

(D)

(D)

⁽¹⁾ The CenturyLink services previously identified on this page are no longer offered under tariff. Effective March 13, 2015 the Commission granted forbearance from dominant carrier regulation of these services. http://transition.fcc.gov/Daily_Releases/Daily_Business/2015/db0316/DOC-332526A1.pdf
The rates, terms and conditions associated with these services are now available at:
<http://www.centurylink.com/Pages/AboutUs/Legal/Tariffs/displayTariffLandingPage.html>

ISSUE DATE:
April 16, 2015

Issued Under Transmittal No. 69
Vice President-Regulatory Operations
100 CenturyLink Drive
Monroe, Louisiana 71203

EFFECTIVE DATE:
May 1, 2015

ACCESS SERVICE

- 7. Special Access Service (Cont'd)
 - 7.5 Rates and Charges (Cont'd)
 - 7.5.20 ⁽¹⁾

(D)

⁽¹⁾ The CenturyLink services previously identified on this page are no longer offered under tariff. Effective March 13, 2015 the Commission granted forbearance from dominant carrier regulation of these services. http://transition.fcc.gov/Daily_Releases/Daily_Business/2015/db0316/DOC-332526A1.pdf
The rates, terms and conditions associated with these services are now available at:
<http://www.centurylink.com/Pages/AboutUs/Legal/Tariffs/displayTariffLandingPage.html>

(D)

ISSUE DATE:
April 16, 2015

Issued Under Transmittal No. 69
Vice President-Regulatory Operations
100 CenturyLink Drive
Monroe, Louisiana 71203

EFFECTIVE DATE:
May 1, 2015

ACCESS SERVICE

- 7. Special Access Service (Cont'd)
- 7.5 Rates and Charges (Cont'd)
- 7.5.21 ⁽¹⁾

(D)

⁽¹⁾ The CenturyLink services previously identified on this page are no longer offered under tariff. Effective March 13, 2015 the Commission granted forbearance from dominant carrier regulation of these services. http://transition.fcc.gov/Daily_Releases/Daily_Business/2015/db0316/DOC-332526A1.pdf
The rates, terms and conditions associated with these services are now available at:
<http://www.centurylink.com/Pages/AboutUs/Legal/Tariffs/displayTariffLandingPage.html>

(D)

ISSUE DATE:
April 16, 2015

Issued Under Transmittal No. 69
Vice President-Regulatory Operations
100 CenturyLink Drive
Monroe, Louisiana 71203

EFFECTIVE DATE:
May 1, 2015

ACCESS SERVICE

7. Special Access Service (Cont'd)

7.5 Rates and Charges (Cont'd)

7.5.21 ⁽¹⁾

(D)

⁽¹⁾ The CenturyLink services previously identified on this page are no longer offered under tariff. Effective March 13, 2015 the Commission granted forbearance from dominant carrier regulation of these services. http://transition.fcc.gov/Daily_Releases/Daily_Business/2015/db0316/DOC-332526A1.pdf
The rates, terms and conditions associated with these services are now available at:
<http://www.centurylink.com/Pages/AboutUs/Legal/Tariffs/displayTariffLandingPage.html>

(D)

ISSUE DATE:
April 16, 2015

Issued Under Transmittal No. 69
Vice President-Regulatory Operations
100 CenturyLink Drive
Monroe, Louisiana 71203

EFFECTIVE DATE:
May 1, 2015

ACCESS SERVICE

- 7. Special Access Service (Cont'd)
 - 7.5 Rates and Charges (Cont'd)
 - 7.5.21 ⁽¹⁾

(D)

⁽¹⁾ The CenturyLink services previously identified on this page are no longer offered under tariff. Effective March 13, 2015 the Commission granted forbearance from dominant carrier regulation of these services. http://transition.fcc.gov/Daily_Releases/Daily_Business/2015/db0316/DOC-332526A1.pdf
The rates, terms and conditions associated with these services are now available at:
<http://www.centurylink.com/Pages/AboutUs/Legal/Tariffs/displayTariffLandingPage.html>

(D)

ISSUE DATE:
April 16, 2015

Issued Under Transmittal No. 69
Vice President-Regulatory Operations
100 CenturyLink Drive
Monroe, Louisiana 71203

EFFECTIVE DATE:
May 1, 2015

ACCESS SERVICE

- 7. Special Access Service (Cont'd)
 - 7.5 Rates and Charges (Cont'd)
 - 7.5.21 ⁽¹⁾

(D)

⁽¹⁾ The CenturyLink services previously identified on this page are no longer offered under tariff. Effective March 13, 2015 the Commission granted forbearance from dominant carrier regulation of these services. http://transition.fcc.gov/Daily_Releases/Daily_Business/2015/db0316/DOC-332526A1.pdf
The rates, terms and conditions associated with these services are now available at:
<http://www.centurylink.com/Pages/AboutUs/Legal/Tariffs/displayTariffLandingPage.html>

(D)

ISSUE DATE:
April 16, 2015

Issued Under Transmittal No. 69
Vice President-Regulatory Operations
100 CenturyLink Drive
Monroe, Louisiana 71203

EFFECTIVE DATE:
May 1, 2015

ACCESS SERVICE

7. Special Access Service (Cont'd)

7.5 Rates and Charges (Cont'd)

7.5.21 ⁽¹⁾

(D)

(D)

⁽¹⁾ The CenturyLink services previously identified on this page are no longer offered under tariff. Effective March 13, 2015 the Commission granted forbearance from dominant carrier regulation of these services. http://transition.fcc.gov/Daily_Releases/Daily_Business/2015/db0316/DOC-332526A1.pdf
The rates, terms and conditions associated with these services are now available at:
<http://www.centurylink.com/Pages/AboutUs/Legal/Tariffs/displayTariffLandingPage.html>

ISSUE DATE:
April 16, 2015

Issued Under Transmittal No. 69
Vice President-Regulatory Operations
100 CenturyLink Drive
Monroe, Louisiana 71203

EFFECTIVE DATE:
May 1, 2015

ACCESS SERVICE

- 7. Special Access Service (Cont'd)
 - 7.5 Rates and Charges (Cont'd)
 - 7.5.21 ⁽¹⁾

(D)

(D)

⁽¹⁾ The CenturyLink services previously identified on this page are no longer offered under tariff. Effective March 13, 2015 the Commission granted forbearance from dominant carrier regulation of these services. http://transition.fcc.gov/Daily_Releases/Daily_Business/2015/db0316/DOC-332526A1.pdf
The rates, terms and conditions associated with these services are now available at:
<http://www.centurylink.com/Pages/AboutUs/Legal/Tariffs/displayTariffLandingPage.html>

ISSUE DATE:
April 16, 2015

Issued Under Transmittal No. 69
Vice President-Regulatory Operations
100 CenturyLink Drive
Monroe, Louisiana 71203

EFFECTIVE DATE:
May 1, 2015

ACCESS SERVICE

7. Special Access Service (Cont'd)

7.5 Rates and Charges (Cont'd)

7.5.21 ⁽¹⁾

(D)

(D)

⁽¹⁾ The CenturyLink services previously identified on this page are no longer offered under tariff. Effective March 13, 2015 the Commission granted forbearance from dominant carrier regulation of these services. http://transition.fcc.gov/Daily_Releases/Daily_Business/2015/db0316/DOC-332526A1.pdf
The rates, terms and conditions associated with these services are now available at:
<http://www.centurylink.com/Pages/AboutUs/Legal/Tariffs/displayTariffLandingPage.html>

ISSUE DATE:
April 16, 2015

Issued Under Transmittal No. 69
Vice President-Regulatory Operations
100 CenturyLink Drive
Monroe, Louisiana 71203

EFFECTIVE DATE:
May 1, 2015

ACCESS SERVICE

7. Special Access Service (Cont'd)

7.5 Rates and Charges (Cont'd)

7.5.21 ⁽¹⁾

(D)

⁽¹⁾ The CenturyLink services previously identified on this page are no longer offered under tariff. Effective March 13, 2015 the Commission granted forbearance from dominant carrier regulation of these services. http://transition.fcc.gov/Daily_Releases/Daily_Business/2015/db0316/DOC-332526A1.pdf
The rates, terms and conditions associated with these services are now available at:
<http://www.centurylink.com/Pages/AboutUs/Legal/Tariffs/displayTariffLandingPage.html>

(D)

ISSUE DATE:
April 16, 2015

Issued Under Transmittal No. 69
Vice President-Regulatory Operations
100 CenturyLink Drive
Monroe, Louisiana 71203

EFFECTIVE DATE:
May 1, 2015

ACCESS SERVICE

- 7. Special Access Service (Cont'd)
- 7.5 Rates and Charges (Cont'd)
- 7.5.21 ⁽¹⁾

(D)

⁽¹⁾ The CenturyLink services previously identified on this page are no longer offered under tariff. Effective March 13, 2015 the Commission granted forbearance from dominant carrier regulation of these services. http://transition.fcc.gov/Daily_Releases/Daily_Business/2015/db0316/DOC-332526A1.pdf
The rates, terms and conditions associated with these services are now available at:
<http://www.centurylink.com/Pages/AboutUs/Legal/Tariffs/displayTariffLandingPage.html>

(D)

ISSUE DATE:
April 16, 2015

Issued Under Transmittal No. 69
Vice President-Regulatory Operations
100 CenturyLink Drive
Monroe, Louisiana 71203

EFFECTIVE DATE:
May 1, 2015

ACCESS SERVICE

7. Special Access Service (Cont'd)

7.5 Rates and Charges (Cont'd)

7.5.21 ⁽¹⁾

(D)

⁽¹⁾ The CenturyLink services previously identified on this page are no longer offered under tariff. Effective March 13, 2015 the Commission granted forbearance from dominant carrier regulation of these services. http://transition.fcc.gov/Daily_Releases/Daily_Business/2015/db0316/DOC-332526A1.pdf
The rates, terms and conditions associated with these services are now available at:
<http://www.centurylink.com/Pages/AboutUs/Legal/Tariffs/displayTariffLandingPage.html>

(D)

ISSUE DATE:
April 16, 2015

Issued Under Transmittal No. 69
Vice President-Regulatory Operations
100 CenturyLink Drive
Monroe, Louisiana 71203

EFFECTIVE DATE:
May 1, 2015

ACCESS SERVICE

7. Special Access Service (Cont'd)

7.5 Rates and Charges (Cont'd)

7.5.21 ⁽¹⁾

(D)

⁽¹⁾ The CenturyLink services previously identified on this page are no longer offered under tariff. Effective March 13, 2015 the Commission granted forbearance from dominant carrier regulation of these services. http://transition.fcc.gov/Daily_Releases/Daily_Business/2015/db0316/DOC-332526A1.pdf
The rates, terms and conditions associated with these services are now available at:
<http://www.centurylink.com/Pages/AboutUs/Legal/Tariffs/displayTariffLandingPage.html>

(D)

ISSUE DATE:
April 16, 2015

Issued Under Transmittal No. 69
Vice President-Regulatory Operations
100 CenturyLink Drive
Monroe, Louisiana 71203

EFFECTIVE DATE:
May 1, 2015

ACCESS SERVICE

7. Special Access Service (Cont'd)

7.5 Rates and Charges (Cont'd)

7.5.21 ⁽¹⁾

(D)

(1) The CenturyLink services previously identified on this page are no longer offered under tariff. Effective March 13, 2015 the Commission granted forbearance from dominant carrier regulation of these services. http://transition.fcc.gov/Daily_Releases/Daily_Business/2015/db0316/DOC-332526A1.pdf
The rates, terms and conditions associated with these services are now available at:
<http://www.centurylink.com/Pages/AboutUs/Legal/Tariffs/displayTariffLandingPage.html>

(D)

ISSUE DATE:
April 16, 2015

Issued Under Transmittal No. 69
Vice President-Regulatory Operations
100 CenturyLink Drive
Monroe, Louisiana 71203

EFFECTIVE DATE:
May 1, 2015

ACCESS SERVICE

- 7. Special Access Service (Cont'd)
 - 7.5 Rates and Charges (Cont'd)
 - 7.5.21 ⁽¹⁾

(D)

⁽¹⁾ The CenturyLink services previously identified on this page are no longer offered under tariff. Effective March 13, 2015 the Commission granted forbearance from dominant carrier regulation of these services. http://transition.fcc.gov/Daily_Releases/Daily_Business/2015/db0316/DOC-332526A1.pdf
The rates, terms and conditions associated with these services are now available at:
<http://www.centurylink.com/Pages/AboutUs/Legal/Tariffs/displayTariffLandingPage.html>

(D)

ISSUE DATE:
April 16, 2015

Issued Under Transmittal No. 69
Vice President-Regulatory Operations
100 CenturyLink Drive
Monroe, Louisiana 71203

EFFECTIVE DATE:
May 1, 2015

ACCESS SERVICE

7. Special Access Service (Cont'd)

7.5 Rates and Charges (Cont'd)

7.5.21 ⁽¹⁾

(D)

⁽¹⁾ The CenturyLink services previously identified on this page are no longer offered under tariff. Effective March 13, 2015 the Commission granted forbearance from dominant carrier regulation of these services. http://transition.fcc.gov/Daily_Releases/Daily_Business/2015/db0316/DOC-332526A1.pdf
The rates, terms and conditions associated with these services are now available at:
<http://www.centurylink.com/Pages/AboutUs/Legal/Tariffs/displayTariffLandingPage.html>

(D)

ISSUE DATE:
April 16, 2015

Issued Under Transmittal No. 69
Vice President-Regulatory Operations
100 CenturyLink Drive
Monroe, Louisiana 71203

EFFECTIVE DATE:
May 1, 2015

ACCESS SERVICE

7. Special Access Service (Cont'd)

7.5 Rates and Charges (Cont'd)

7.5.21 ⁽¹⁾

(D)

⁽¹⁾ The CenturyLink services previously identified on this page are no longer offered under tariff. Effective March 13, 2015 the Commission granted forbearance from dominant carrier regulation of these services. http://transition.fcc.gov/Daily_Releases/Daily_Business/2015/db0316/DOC-332526A1.pdf
The rates, terms and conditions associated with these services are now available at:
<http://www.centurylink.com/Pages/AboutUs/Legal/Tariffs/displayTariffLandingPage.html>

(D)

ISSUE DATE:
April 16, 2015

Issued Under Transmittal No. 69
Vice President-Regulatory Operations
100 CenturyLink Drive
Monroe, Louisiana 71203

EFFECTIVE DATE:
May 1, 2015

ACCESS SERVICE

7. Special Access Service (Cont'd)

7.5 Rates and Charges (Cont'd)

7.5.21 ⁽¹⁾

(D)

⁽¹⁾ The CenturyLink services previously identified on this page are no longer offered under tariff. Effective March 13, 2015 the Commission granted forbearance from dominant carrier regulation of these services. http://transition.fcc.gov/Daily_Releases/Daily_Business/2015/db0316/DOC-332526A1.pdf
The rates, terms and conditions associated with these services are now available at:
<http://www.centurylink.com/Pages/AboutUs/Legal/Tariffs/displayTariffLandingPage.html>

(D)

ISSUE DATE:
April 16, 2015

Issued Under Transmittal No. 69
Vice President-Regulatory Operations
100 CenturyLink Drive
Monroe, Louisiana 71203

EFFECTIVE DATE:
May 1, 2015

ACCESS SERVICE

7. Special Access Service (Cont'd)

7.5 Rates and Charges (Cont'd)

7.5.21 ⁽¹⁾

(D)

⁽¹⁾ The CenturyLink services previously identified on this page are no longer offered under tariff. Effective March 13, 2015 the Commission granted forbearance from dominant carrier regulation of these services. http://transition.fcc.gov/Daily_Releases/Daily_Business/2015/db0316/DOC-332526A1.pdf
The rates, terms and conditions associated with these services are now available at:
<http://www.centurylink.com/Pages/AboutUs/Legal/Tariffs/displayTariffLandingPage.html>

(D)

ISSUE DATE:
April 16, 2015

Issued Under Transmittal No. 69
Vice President-Regulatory Operations
100 CenturyLink Drive
Monroe, Louisiana 71203

EFFECTIVE DATE:
May 1, 2015

ACCESS SERVICE

7. Special Access Service (Cont'd)

7.5 Rates and Charges (Cont'd)

7.5.21 ⁽¹⁾

(D)

⁽¹⁾ The CenturyLink services previously identified on this page are no longer offered under tariff. Effective March 13, 2015 the Commission granted forbearance from dominant carrier regulation of these services. http://transition.fcc.gov/Daily_Releases/Daily_Business/2015/db0316/DOC-332526A1.pdf
The rates, terms and conditions associated with these services are now available at:
<http://www.centurylink.com/Pages/AboutUs/Legal/Tariffs/displayTariffLandingPage.html>

(D)

ISSUE DATE:
April 16, 2015

Issued Under Transmittal No. 69
Vice President-Regulatory Operations
100 CenturyLink Drive
Monroe, Louisiana 71203

EFFECTIVE DATE:
May 1, 2015

ACCESS SERVICE

7. Special Access Service (Cont'd)

7.5 Rates and Charges (Cont'd)

7.5.21 ⁽¹⁾

(D)

⁽¹⁾ The CenturyLink services previously identified on this page are no longer offered under tariff. Effective March 13, 2015 the Commission granted forbearance from dominant carrier regulation of these services. http://transition.fcc.gov/Daily_Releases/Daily_Business/2015/db0316/DOC-332526A1.pdf
The rates, terms and conditions associated with these services are now available at:
<http://www.centurylink.com/Pages/AboutUs/Legal/Tariffs/displayTariffLandingPage.html>

(D)

ISSUE DATE:
April 16, 2015

Issued Under Transmittal No. 69
Vice President-Regulatory Operations
100 CenturyLink Drive
Monroe, Louisiana 71203

EFFECTIVE DATE:
May 1, 2015

ACCESS SERVICE

7. Special Access Service (Cont'd)

7.5 Rates and Charges (Cont'd)

7.5.21 ⁽¹⁾

(D)

⁽¹⁾ The CenturyLink services previously identified on this page are no longer offered under tariff. Effective March 13, 2015 the Commission granted forbearance from dominant carrier regulation of these services. http://transition.fcc.gov/Daily_Releases/Daily_Business/2015/db0316/DOC-332526A1.pdf
The rates, terms and conditions associated with these services are now available at:
<http://www.centurylink.com/Pages/AboutUs/Legal/Tariffs/displayTariffLandingPage.html>

(D)

ISSUE DATE:
April 16, 2015

Issued Under Transmittal No. 69
Vice President-Regulatory Operations
100 CenturyLink Drive
Monroe, Louisiana 71203

EFFECTIVE DATE:
May 1, 2015

ACCESS SERVICE

7. Special Access Service (Cont'd)

7.5 Rates and Charges (Cont'd)

7.5.21 ⁽¹⁾

(D)

⁽¹⁾ The CenturyLink services previously identified on this page are no longer offered under tariff. Effective March 13, 2015 the Commission granted forbearance from dominant carrier regulation of these services. http://transition.fcc.gov/Daily_Releases/Daily_Business/2015/db0316/DOC-332526A1.pdf
The rates, terms and conditions associated with these services are now available at:
<http://www.centurylink.com/Pages/AboutUs/Legal/Tariffs/displayTariffLandingPage.html>

(D)

ISSUE DATE:
April 16, 2015

Issued Under Transmittal No. 69
Vice President-Regulatory Operations
100 CenturyLink Drive
Monroe, Louisiana 71203

EFFECTIVE DATE:
May 1, 2015

ACCESS SERVICE

- 7. Special Access Service (Cont'd)
 - 7.5 Rates and Charges (Cont'd)
 - 7.5.21 ⁽¹⁾

(D)

⁽¹⁾ The CenturyLink services previously identified on this page are no longer offered under tariff. Effective March 13, 2015 the Commission granted forbearance from dominant carrier regulation of these services. http://transition.fcc.gov/Daily_Releases/Daily_Business/2015/db0316/DOC-332526A1.pdf
The rates, terms and conditions associated with these services are now available at:
<http://www.centurylink.com/Pages/AboutUs/Legal/Tariffs/displayTariffLandingPage.html>

(D)

ISSUE DATE:
April 16, 2015

Issued Under Transmittal No. 69
Vice President-Regulatory Operations
100 CenturyLink Drive
Monroe, Louisiana 71203

EFFECTIVE DATE:
May 1, 2015

ACCESS SERVICE

- 7. Special Access Service (Cont'd)
- 7.5 Rates and Charges (Cont'd)
- 7.5.21 ⁽¹⁾

(D)

⁽¹⁾ The CenturyLink services previously identified on this page are no longer offered under tariff. Effective March 13, 2015 the Commission granted forbearance from dominant carrier regulation of these services. http://transition.fcc.gov/Daily_Releases/Daily_Business/2015/db0316/DOC-332526A1.pdf
The rates, terms and conditions associated with these services are now available at:
<http://www.centurylink.com/Pages/AboutUs/Legal/Tariffs/displayTariffLandingPage.html>

(D)

ISSUE DATE:
April 16, 2015

Issued Under Transmittal No. 69
Vice President-Regulatory Operations
100 CenturyLink Drive
Monroe, Louisiana 71203

EFFECTIVE DATE:
May 1, 2015

ACCESS SERVICE

7. Special Access Service (Cont'd)

7.5 Rates and Charges (Cont'd)

7.5.21 ⁽¹⁾

(D)

⁽¹⁾ The CenturyLink services previously identified on this page are no longer offered under tariff. Effective March 13, 2015 the Commission granted forbearance from dominant carrier regulation of these services. http://transition.fcc.gov/Daily_Releases/Daily_Business/2015/db0316/DOC-332526A1.pdf
The rates, terms and conditions associated with these services are now available at:
<http://www.centurylink.com/Pages/AboutUs/Legal/Tariffs/displayTariffLandingPage.html>

(D)

ISSUE DATE:
April 16, 2015

Issued Under Transmittal No. 69
Vice President-Regulatory Operations
100 CenturyLink Drive
Monroe, Louisiana 71203

EFFECTIVE DATE:
May 1, 2015

ACCESS SERVICE

7. Special Access Service (Cont'd)

7.5 Rates and Charges (Cont'd)

7.5.21 ⁽¹⁾

(D)

⁽¹⁾ The CenturyLink services previously identified on this page are no longer offered under tariff. Effective March 13, 2015 the Commission granted forbearance from dominant carrier regulation of these services. http://transition.fcc.gov/Daily_Releases/Daily_Business/2015/db0316/DOC-332526A1.pdf
The rates, terms and conditions associated with these services are now available at:
<http://www.centurylink.com/Pages/AboutUs/Legal/Tariffs/displayTariffLandingPage.html>

(D)

ISSUE DATE:
April 16, 2015

Issued Under Transmittal No. 69
Vice President-Regulatory Operations
100 CenturyLink Drive
Monroe, Louisiana 71203

EFFECTIVE DATE:
May 1, 2015

ACCESS SERVICE

7. Special Access Service (Cont'd)

7.5 Rates and Charges (Cont'd)

7.5.21 ⁽¹⁾

(D)

⁽¹⁾ The CenturyLink services previously identified on this page are no longer offered under tariff. Effective March 13, 2015 the Commission granted forbearance from dominant carrier regulation of these services. http://transition.fcc.gov/Daily_Releases/Daily_Business/2015/db0316/DOC-332526A1.pdf
The rates, terms and conditions associated with these services are now available at:
<http://www.centurylink.com/Pages/AboutUs/Legal/Tariffs/displayTariffLandingPage.html>

(D)

ISSUE DATE:
April 16, 2015

Issued Under Transmittal No. 69
Vice President-Regulatory Operations
100 CenturyLink Drive
Monroe, Louisiana 71203

EFFECTIVE DATE:
May 1, 2015

ACCESS SERVICE

7. Special Access Service (Cont'd)

7.5 Rates and Charges (Cont'd)

7.5.21 ⁽¹⁾

(D)

⁽¹⁾ The CenturyLink services previously identified on this page are no longer offered under tariff. Effective March 13, 2015 the Commission granted forbearance from dominant carrier regulation of these services. http://transition.fcc.gov/Daily_Releases/Daily_Business/2015/db0316/DOC-332526A1.pdf
The rates, terms and conditions associated with these services are now available at:
<http://www.centurylink.com/Pages/AboutUs/Legal/Tariffs/displayTariffLandingPage.html>

(D)

ISSUE DATE:
April 16, 2015

Issued Under Transmittal No. 69
Vice President-Regulatory Operations
100 CenturyLink Drive
Monroe, Louisiana 71203

EFFECTIVE DATE:
May 1, 2015

ACCESS SERVICE

7. Special Access Service (Cont'd)

7.5 Rates and Charges (Cont'd)

7.5.21 ⁽¹⁾

(D)

⁽¹⁾ The CenturyLink services previously identified on this page are no longer offered under tariff. Effective March 13, 2015 the Commission granted forbearance from dominant carrier regulation of these services. http://transition.fcc.gov/Daily_Releases/Daily_Business/2015/db0316/DOC-332526A1.pdf
The rates, terms and conditions associated with these services are now available at:
<http://www.centurylink.com/Pages/AboutUs/Legal/Tariffs/displayTariffLandingPage.html>

(D)

ISSUE DATE:
April 16, 2015

Issued Under Transmittal No. 69
Vice President-Regulatory Operations
100 CenturyLink Drive
Monroe, Louisiana 71203

EFFECTIVE DATE:
May 1, 2015

ACCESS SERVICE

- 7. Special Access Service (Cont'd)
 - 7.5 Rates and Charges (Cont'd)
 - 7.5.21 ⁽¹⁾

(D)

⁽¹⁾ The CenturyLink services previously identified on this page are no longer offered under tariff. Effective March 13, 2015 the Commission granted forbearance from dominant carrier regulation of these services. http://transition.fcc.gov/Daily_Releases/Daily_Business/2015/db0316/DOC-332526A1.pdf
The rates, terms and conditions associated with these services are now available at:
<http://www.centurylink.com/Pages/AboutUs/Legal/Tariffs/displayTariffLandingPage.html>

(D)

ISSUE DATE:
April 16, 2015

Issued Under Transmittal No. 69
Vice President-Regulatory Operations
100 CenturyLink Drive
Monroe, Louisiana 71203

EFFECTIVE DATE:
May 1, 2015

ACCESS SERVICE

7. Special Access Service (Cont'd)

7.5 Rates and Charges (Cont'd)

7.5.21 ⁽¹⁾

(D)

⁽¹⁾ The CenturyLink services previously identified on this page are no longer offered under tariff. Effective March 13, 2015 the Commission granted forbearance from dominant carrier regulation of these services. http://transition.fcc.gov/Daily_Releases/Daily_Business/2015/db0316/DOC-332526A1.pdf
The rates, terms and conditions associated with these services are now available at:
<http://www.centurylink.com/Pages/AboutUs/Legal/Tariffs/displayTariffLandingPage.html>

(D)

ISSUE DATE:
April 16, 2015

Issued Under Transmittal No. 69
Vice President-Regulatory Operations
100 CenturyLink Drive
Monroe, Louisiana 71203

EFFECTIVE DATE:
May 1, 2015

ACCESS SERVICE

7. Special Access Service (Cont'd)

7.5 Rates and Charges (Cont'd)

7.5.21 ⁽¹⁾

(D)

⁽¹⁾ The CenturyLink services previously identified on this page are no longer offered under tariff. Effective March 13, 2015 the Commission granted forbearance from dominant carrier regulation of these services. http://transition.fcc.gov/Daily_Releases/Daily_Business/2015/db0316/DOC-332526A1.pdf
The rates, terms and conditions associated with these services are now available at:
<http://www.centurylink.com/Pages/AboutUs/Legal/Tariffs/displayTariffLandingPage.html>

(D)

ISSUE DATE:
April 16, 2015

Issued Under Transmittal No. 69
Vice President-Regulatory Operations
100 CenturyLink Drive
Monroe, Louisiana 71203

EFFECTIVE DATE:
May 1, 2015

ACCESS SERVICE

- 7. Special Access Service (Cont'd)
 - 7.5 Rates and Charges (Cont'd)
 - 7.5.21 ⁽¹⁾

(D)

⁽¹⁾ The CenturyLink services previously identified on this page are no longer offered under tariff. Effective March 13, 2015 the Commission granted forbearance from dominant carrier regulation of these services. http://transition.fcc.gov/Daily_Releases/Daily_Business/2015/db0316/DOC-332526A1.pdf
The rates, terms and conditions associated with these services are now available at:
<http://www.centurylink.com/Pages/AboutUs/Legal/Tariffs/displayTariffLandingPage.html>

(D)

ISSUE DATE:
April 16, 2015

Issued Under Transmittal No. 69
Vice President-Regulatory Operations
100 CenturyLink Drive
Monroe, Louisiana 71203

EFFECTIVE DATE:
May 1, 2015

ACCESS SERVICE

7. Special Access Service (Cont'd)

7.5 Rates and Charges (Cont'd)

7.5.21 ⁽¹⁾

(D)

⁽¹⁾ The CenturyLink services previously identified on this page are no longer offered under tariff. Effective March 13, 2015 the Commission granted forbearance from dominant carrier regulation of these services. http://transition.fcc.gov/Daily_Releases/Daily_Business/2015/db0316/DOC-332526A1.pdf
The rates, terms and conditions associated with these services are now available at:
<http://www.centurylink.com/Pages/AboutUs/Legal/Tariffs/displayTariffLandingPage.html>

(D)

ISSUE DATE:
April 16, 2015

Issued Under Transmittal No. 69
Vice President-Regulatory Operations
100 CenturyLink Drive
Monroe, Louisiana 71203

EFFECTIVE DATE:
May 1, 2015

ACCESS SERVICE

7. Special Access Service (Cont'd)

7.5 Rates and Charges (Cont'd)

7.5.21 ⁽¹⁾

(D)

⁽¹⁾ The CenturyLink services previously identified on this page are no longer offered under tariff. Effective March 13, 2015 the Commission granted forbearance from dominant carrier regulation of these services. http://transition.fcc.gov/Daily_Releases/Daily_Business/2015/db0316/DOC-332526A1.pdf
The rates, terms and conditions associated with these services are now available at:
<http://www.centurylink.com/Pages/AboutUs/Legal/Tariffs/displayTariffLandingPage.html>

(D)

ISSUE DATE:
April 16, 2015

Issued Under Transmittal No. 69
Vice President-Regulatory Operations
100 CenturyLink Drive
Monroe, Louisiana 71203

EFFECTIVE DATE:
May 1, 2015

ACCESS SERVICE

- 7. Special Access Service (Cont'd)
 - 7.5 Rates and Charges (Cont'd)
 - 7.5.21 ⁽¹⁾

(D)

⁽¹⁾ The CenturyLink services previously identified on this page are no longer offered under tariff. Effective March 13, 2015 the Commission granted forbearance from dominant carrier regulation of these services. http://transition.fcc.gov/Daily_Releases/Daily_Business/2015/db0316/DOC-332526A1.pdf
The rates, terms and conditions associated with these services are now available at:
<http://www.centurylink.com/Pages/AboutUs/Legal/Tariffs/displayTariffLandingPage.html>

(D)

ISSUE DATE:
April 16, 2015

Issued Under Transmittal No. 69
Vice President-Regulatory Operations
100 CenturyLink Drive
Monroe, Louisiana 71203

EFFECTIVE DATE:
May 1, 2015

ACCESS SERVICE

- 7. Special Access Service (Cont'd)
- 7.5 Rates and Charges (Cont'd)
- 7.5.21 ⁽¹⁾

(D)

⁽¹⁾ The CenturyLink services previously identified on this page are no longer offered under tariff. Effective March 13, 2015 the Commission granted forbearance from dominant carrier regulation of these services. http://transition.fcc.gov/Daily_Releases/Daily_Business/2015/db0316/DOC-332526A1.pdf
The rates, terms and conditions associated with these services are now available at:
<http://www.centurylink.com/Pages/AboutUs/Legal/Tariffs/displayTariffLandingPage.html>

(D)

ISSUE DATE:
April 16, 2015

Issued Under Transmittal No. 69
Vice President-Regulatory Operations
100 CenturyLink Drive
Monroe, Louisiana 71203

EFFECTIVE DATE:
May 1, 2015

ACCESS SERVICE

7. Special Access Service (Cont'd)

7.5 Rates and Charges (Cont'd)

7.5.21 ⁽¹⁾

(D)

⁽¹⁾ The CenturyLink services previously identified on this page are no longer offered under tariff. Effective March 13, 2015 the Commission granted forbearance from dominant carrier regulation of these services. http://transition.fcc.gov/Daily_Releases/Daily_Business/2015/db0316/DOC-332526A1.pdf
The rates, terms and conditions associated with these services are now available at:
<http://www.centurylink.com/Pages/AboutUs/Legal/Tariffs/displayTariffLandingPage.html>

(D)

ISSUE DATE:
April 16, 2015

Issued Under Transmittal No. 69
Vice President-Regulatory Operations
100 CenturyLink Drive
Monroe, Louisiana 71203

EFFECTIVE DATE:
May 1, 2015

ACCESS SERVICE

7. Special Access Service (Cont'd)

7.5 Rates and Charges (Cont'd)

7.5.21 ⁽¹⁾

(D)

(1) The CenturyLink services previously identified on this page are no longer offered under tariff. Effective March 13, 2015 the Commission granted forbearance from dominant carrier regulation of these services. http://transition.fcc.gov/Daily_Releases/Daily_Business/2015/db0316/DOC-332526A1.pdf
The rates, terms and conditions associated with these services are now available at:
<http://www.centurylink.com/Pages/AboutUs/Legal/Tariffs/displayTariffLandingPage.html>

(D)

ISSUE DATE:
April 16, 2015

Issued Under Transmittal No. 69
Vice President-Regulatory Operations
100 CenturyLink Drive
Monroe, Louisiana 71203

EFFECTIVE DATE:
May 1, 2015

ACCESS SERVICE

7. Special Access Service (Cont'd)

7.5 Rates and Charges (Cont'd)

7.5.21 ⁽¹⁾

(D)

⁽¹⁾ The CenturyLink services previously identified on this page are no longer offered under tariff. Effective March 13, 2015 the Commission granted forbearance from dominant carrier regulation of these services. http://transition.fcc.gov/Daily_Releases/Daily_Business/2015/db0316/DOC-332526A1.pdf
The rates, terms and conditions associated with these services are now available at:
<http://www.centurylink.com/Pages/AboutUs/Legal/Tariffs/displayTariffLandingPage.html>

(D)

ISSUE DATE:
April 16, 2015

Issued Under Transmittal No. 69
Vice President-Regulatory Operations
100 CenturyLink Drive
Monroe, Louisiana 71203

EFFECTIVE DATE:
May 1, 2015

ACCESS SERVICE

- 7. Special Access Service (Cont'd)
 - 7.5 Rates and Charges (Cont'd)
 - 7.5.21 ⁽¹⁾

(D)

⁽¹⁾ The CenturyLink services previously identified on this page are no longer offered under tariff. Effective March 13, 2015 the Commission granted forbearance from dominant carrier regulation of these services. http://transition.fcc.gov/Daily_Releases/Daily_Business/2015/db0316/DOC-332526A1.pdf
The rates, terms and conditions associated with these services are now available at:
<http://www.centurylink.com/Pages/AboutUs/Legal/Tariffs/displayTariffLandingPage.html>

(D)

ISSUE DATE:
April 16, 2015

Issued Under Transmittal No. 69
Vice President-Regulatory Operations
100 CenturyLink Drive
Monroe, Louisiana 71203

EFFECTIVE DATE:
May 1, 2015

ACCESS SERVICE

7. Special Access Service (Cont'd)

7.5 Rates and Charges (Cont'd)

7.5.21 ⁽¹⁾

(D)

⁽¹⁾ The CenturyLink services previously identified on this page are no longer offered under tariff. Effective March 13, 2015 the Commission granted forbearance from dominant carrier regulation of these services. http://transition.fcc.gov/Daily_Releases/Daily_Business/2015/db0316/DOC-332526A1.pdf
The rates, terms and conditions associated with these services are now available at:
<http://www.centurylink.com/Pages/AboutUs/Legal/Tariffs/displayTariffLandingPage.html>

(D)

ISSUE DATE:
April 16, 2015

Issued Under Transmittal No. 69
Vice President-Regulatory Operations
100 CenturyLink Drive
Monroe, Louisiana 71203

EFFECTIVE DATE:
May 1, 2015

ACCESS SERVICE

7. Special Access Service (Cont'd)

7.5 Rates and Charges (Cont'd)

7.5.21 ⁽¹⁾

(D)

⁽¹⁾ The CenturyLink services previously identified on this page are no longer offered under tariff. Effective March 13, 2015 the Commission granted forbearance from dominant carrier regulation of these services. http://transition.fcc.gov/Daily_Releases/Daily_Business/2015/db0316/DOC-332526A1.pdf
The rates, terms and conditions associated with these services are now available at:
<http://www.centurylink.com/Pages/AboutUs/Legal/Tariffs/displayTariffLandingPage.html>

(D)

ISSUE DATE:
April 16, 2015

Issued Under Transmittal No. 69
Vice President-Regulatory Operations
100 CenturyLink Drive
Monroe, Louisiana 71203

EFFECTIVE DATE:
May 1, 2015

ACCESS SERVICE

- 7. Special Access Service (Cont'd)
- 7.5 Rates and Charges (Cont'd)
- 7.5.21 ⁽¹⁾

(D)

⁽¹⁾ The CenturyLink services previously identified on this page are no longer offered under tariff. Effective March 13, 2015 the Commission granted forbearance from dominant carrier regulation of these services. http://transition.fcc.gov/Daily_Releases/Daily_Business/2015/db0316/DOC-332526A1.pdf
The rates, terms and conditions associated with these services are now available at:
<http://www.centurylink.com/Pages/AboutUs/Legal/Tariffs/displayTariffLandingPage.html>

(D)

ISSUE DATE:
April 16, 2015

Issued Under Transmittal No. 69
Vice President-Regulatory Operations
100 CenturyLink Drive
Monroe, Louisiana 71203

EFFECTIVE DATE:
May 1, 2015

ACCESS SERVICE

7. Special Access Service (Cont'd)

7.5 Rates and Charges (Cont'd)

7.5.21 ⁽¹⁾

(D)

⁽¹⁾ The CenturyLink services previously identified on this page are no longer offered under tariff. Effective March 13, 2015 the Commission granted forbearance from dominant carrier regulation of these services. http://transition.fcc.gov/Daily_Releases/Daily_Business/2015/db0316/DOC-332526A1.pdf
The rates, terms and conditions associated with these services are now available at:
<http://www.centurylink.com/Pages/AboutUs/Legal/Tariffs/displayTariffLandingPage.html>

(D)

ISSUE DATE:
April 16, 2015

Issued Under Transmittal No. 69
Vice President-Regulatory Operations
100 CenturyLink Drive
Monroe, Louisiana 71203

EFFECTIVE DATE:
May 1, 2015

ACCESS SERVICE

- 7. Special Access Service (Cont'd)
 - 7.5 Rates and Charges (Cont'd)
 - 7.5.21 ⁽¹⁾

(D)

⁽¹⁾ The CenturyLink services previously identified on this page are no longer offered under tariff. Effective March 13, 2015 the Commission granted forbearance from dominant carrier regulation of these services. http://transition.fcc.gov/Daily_Releases/Daily_Business/2015/db0316/DOC-332526A1.pdf
The rates, terms and conditions associated with these services are now available at:
<http://www.centurylink.com/Pages/AboutUs/Legal/Tariffs/displayTariffLandingPage.html>

(D)

ISSUE DATE:
April 16, 2015

Issued Under Transmittal No. 69
Vice President-Regulatory Operations
100 CenturyLink Drive
Monroe, Louisiana 71203

EFFECTIVE DATE:
May 1, 2015

ACCESS SERVICE

7. Special Access Service (Cont'd)

7.5 Rates and Charges (Cont'd)

7.5.21 ⁽¹⁾

(D)

⁽¹⁾ The CenturyLink services previously identified on this page are no longer offered under tariff. Effective March 13, 2015 the Commission granted forbearance from dominant carrier regulation of these services. http://transition.fcc.gov/Daily_Releases/Daily_Business/2015/db0316/DOC-332526A1.pdf
The rates, terms and conditions associated with these services are now available at:
<http://www.centurylink.com/Pages/AboutUs/Legal/Tariffs/displayTariffLandingPage.html>

(D)

ISSUE DATE:
April 16, 2015

Issued Under Transmittal No. 69
Vice President-Regulatory Operations
100 CenturyLink Drive
Monroe, Louisiana 71203

EFFECTIVE DATE:
May 1, 2015

ACCESS SERVICE

7. Special Access Service (Cont'd)

7.5 Rates and Charges (Cont'd)

7.5.21 ⁽¹⁾

(D)

⁽¹⁾ The CenturyLink services previously identified on this page are no longer offered under tariff. Effective March 13, 2015 the Commission granted forbearance from dominant carrier regulation of these services. http://transition.fcc.gov/Daily_Releases/Daily_Business/2015/db0316/DOC-332526A1.pdf
The rates, terms and conditions associated with these services are now available at:
<http://www.centurylink.com/Pages/AboutUs/Legal/Tariffs/displayTariffLandingPage.html>

(D)

ISSUE DATE:
April 16, 2015

Issued Under Transmittal No. 69
Vice President-Regulatory Operations
100 CenturyLink Drive
Monroe, Louisiana 71203

EFFECTIVE DATE:
May 1, 2015

ACCESS SERVICE

7. Special Access Service (Cont'd)

7.5 Rates and Charges (Cont'd)

7.5.21 ⁽¹⁾

(D)

⁽¹⁾ The CenturyLink services previously identified on this page are no longer offered under tariff. Effective March 13, 2015 the Commission granted forbearance from dominant carrier regulation of these services. http://transition.fcc.gov/Daily_Releases/Daily_Business/2015/db0316/DOC-332526A1.pdf
The rates, terms and conditions associated with these services are now available at:
<http://www.centurylink.com/Pages/AboutUs/Legal/Tariffs/displayTariffLandingPage.html>

(D)

ISSUE DATE:
April 16, 2015

Issued Under Transmittal No. 69
Vice President-Regulatory Operations
100 CenturyLink Drive
Monroe, Louisiana 71203

EFFECTIVE DATE:
May 1, 2015

ACCESS SERVICE

7. Special Access Service (Cont'd)

7.5 Rates and Charges (Cont'd)

7.5.21 ⁽¹⁾

(D)

⁽¹⁾ The CenturyLink services previously identified on this page are no longer offered under tariff. Effective March 13, 2015 the Commission granted forbearance from dominant carrier regulation of these services. http://transition.fcc.gov/Daily_Releases/Daily_Business/2015/db0316/DOC-332526A1.pdf
The rates, terms and conditions associated with these services are now available at:
<http://www.centurylink.com/Pages/AboutUs/Legal/Tariffs/displayTariffLandingPage.html>

(D)

ISSUE DATE:
April 16, 2015

Issued Under Transmittal No. 69
Vice President-Regulatory Operations
100 CenturyLink Drive
Monroe, Louisiana 71203

EFFECTIVE DATE:
May 1, 2015

ACCESS SERVICE

7. Special Access Service (Cont'd)

7.5 Rates and Charges (Cont'd)

7.5.21 ⁽¹⁾

(D)

⁽¹⁾ The CenturyLink services previously identified on this page are no longer offered under tariff. Effective March 13, 2015 the Commission granted forbearance from dominant carrier regulation of these services. http://transition.fcc.gov/Daily_Releases/Daily_Business/2015/db0316/DOC-332526A1.pdf
The rates, terms and conditions associated with these services are now available at:
<http://www.centurylink.com/Pages/AboutUs/Legal/Tariffs/displayTariffLandingPage.html>

(D)

ISSUE DATE:
April 16, 2015

Issued Under Transmittal No. 69
Vice President-Regulatory Operations
100 CenturyLink Drive
Monroe, Louisiana 71203

EFFECTIVE DATE:
May 1, 2015

ACCESS SERVICE

- 7. Special Access Service (Cont'd)
- 7.5 Rates and Charges (Cont'd)
- 7.5.21 ⁽¹⁾

(D)

⁽¹⁾ The CenturyLink services previously identified on this page are no longer offered under tariff. Effective March 13, 2015 the Commission granted forbearance from dominant carrier regulation of these services. http://transition.fcc.gov/Daily_Releases/Daily_Business/2015/db0316/DOC-332526A1.pdf
The rates, terms and conditions associated with these services are now available at:
<http://www.centurylink.com/Pages/AboutUs/Legal/Tariffs/displayTariffLandingPage.html>

(D)

ISSUE DATE:
April 16, 2015

Issued Under Transmittal No. 69
Vice President-Regulatory Operations
100 CenturyLink Drive
Monroe, Louisiana 71203

EFFECTIVE DATE:
May 1, 2015

ACCESS SERVICE

7. Special Access Service (Cont'd)

7.5 Rates and Charges (Cont'd)

7.5.21 ⁽¹⁾

(D)

⁽¹⁾ The CenturyLink services previously identified on this page are no longer offered under tariff. Effective March 13, 2015 the Commission granted forbearance from dominant carrier regulation of these services. http://transition.fcc.gov/Daily_Releases/Daily_Business/2015/db0316/DOC-332526A1.pdf
The rates, terms and conditions associated with these services are now available at:
<http://www.centurylink.com/Pages/AboutUs/Legal/Tariffs/displayTariffLandingPage.html>

(D)

ISSUE DATE:
April 16, 2015

Issued Under Transmittal No. 69
Vice President-Regulatory Operations
100 CenturyLink Drive
Monroe, Louisiana 71203

EFFECTIVE DATE:
May 1, 2015

ACCESS SERVICE

7. Special Access Service (Cont'd)

7.5 Rates and Charges (Cont'd)

7.5.21 ⁽¹⁾

(D)

(D)

⁽¹⁾ The CenturyLink services previously identified on this page are no longer offered under tariff. Effective March 13, 2015 the Commission granted forbearance from dominant carrier regulation of these services. http://transition.fcc.gov/Daily_Releases/Daily_Business/2015/db0316/DOC-332526A1.pdf
The rates, terms and conditions associated with these services are now available at:
<http://www.centurylink.com/Pages/AboutUs/Legal/Tariffs/displayTariffLandingPage.html>

ISSUE DATE:
April 16, 2015

Issued Under Transmittal No. 69
Vice President-Regulatory Operations
100 CenturyLink Drive
Monroe, Louisiana 71203

EFFECTIVE DATE:
May 1, 2015

ACCESS SERVICE

7. Special Access Service (Cont'd)

7.5 Rates and Charges (Cont'd)

7.5.21 ⁽¹⁾

(D)

(1) The CenturyLink services previously identified on this page are no longer offered under tariff. Effective March 13, 2015 the Commission granted forbearance from dominant carrier regulation of these services. http://transition.fcc.gov/Daily_Releases/Daily_Business/2015/db0316/DOC-332526A1.pdf
The rates, terms and conditions associated with these services are now available at:
<http://www.centurylink.com/Pages/AboutUs/Legal/Tariffs/displayTariffLandingPage.html>

(D)

ISSUE DATE:
April 16, 2015

Issued Under Transmittal No. 69
Vice President-Regulatory Operations
100 CenturyLink Drive
Monroe, Louisiana 71203

EFFECTIVE DATE:
May 1, 2015

ACCESS SERVICE

7. Special Access Service (Cont'd)

7.5 Rates and Charges (Cont'd)

7.5.21 ⁽¹⁾

(D)

⁽¹⁾ The CenturyLink services previously identified on this page are no longer offered under tariff. Effective March 13, 2015 the Commission granted forbearance from dominant carrier regulation of these services. http://transition.fcc.gov/Daily_Releases/Daily_Business/2015/db0316/DOC-332526A1.pdf
The rates, terms and conditions associated with these services are now available at:
<http://www.centurylink.com/Pages/AboutUs/Legal/Tariffs/displayTariffLandingPage.html>

(D)

ISSUE DATE:
April 16, 2015

Issued Under Transmittal No. 69
Vice President-Regulatory Operations
100 CenturyLink Drive
Monroe, Louisiana 71203

EFFECTIVE DATE:
May 1, 2015

ACCESS SERVICE

- 7. Special Access Service (Cont'd)
- 7.5 Rates and Charges (Cont'd)
- 7.5.21 ⁽¹⁾

(D)

⁽¹⁾ The CenturyLink services previously identified on this page are no longer offered under tariff. Effective March 13, 2015 the Commission granted forbearance from dominant carrier regulation of these services. http://transition.fcc.gov/Daily_Releases/Daily_Business/2015/db0316/DOC-332526A1.pdf
The rates, terms and conditions associated with these services are now available at:
<http://www.centurylink.com/Pages/AboutUs/Legal/Tariffs/displayTariffLandingPage.html>

(D)

ISSUE DATE:
April 16, 2015

Issued Under Transmittal No. 69
Vice President-Regulatory Operations
100 CenturyLink Drive
Monroe, Louisiana 71203

EFFECTIVE DATE:
May 1, 2015

ACCESS SERVICE

7. Special Access Service (Cont'd)

7.5 Rates and Charges (Cont'd)

7.5.21 ⁽¹⁾

(D)

⁽¹⁾ The CenturyLink services previously identified on this page are no longer offered under tariff. Effective March 13, 2015 the Commission granted forbearance from dominant carrier regulation of these services. http://transition.fcc.gov/Daily_Releases/Daily_Business/2015/db0316/DOC-332526A1.pdf
The rates, terms and conditions associated with these services are now available at:
<http://www.centurylink.com/Pages/AboutUs/Legal/Tariffs/displayTariffLandingPage.html>

(D)

ISSUE DATE:
April 16, 2015

Issued Under Transmittal No. 69
Vice President-Regulatory Operations
100 CenturyLink Drive
Monroe, Louisiana 71203

EFFECTIVE DATE:
May 1, 2015

ACCESS SERVICE

- 7. Special Access Service (Cont'd)
 - 7.5 Rates and Charges (Cont'd)
 - 7.5.21 ⁽¹⁾

(D)

(D)

⁽¹⁾ The CenturyLink services previously identified on this page are no longer offered under tariff. Effective March 13, 2015 the Commission granted forbearance from dominant carrier regulation of these services. http://transition.fcc.gov/Daily_Releases/Daily_Business/2015/db0316/DOC-332526A1.pdf
The rates, terms and conditions associated with these services are now available at:
<http://www.centurylink.com/Pages/AboutUs/Legal/Tariffs/displayTariffLandingPage.html>

ISSUE DATE:
April 16, 2015

Issued Under Transmittal No. 69
Vice President-Regulatory Operations
100 CenturyLink Drive
Monroe, Louisiana 71203

EFFECTIVE DATE:
May 1, 2015

ACCESS SERVICE

7. Special Access Service (Cont'd)

7.5 Rates and Charges (Cont'd)

7.5.21 ⁽¹⁾

(D)

⁽¹⁾ The CenturyLink services previously identified on this page are no longer offered under tariff. Effective March 13, 2015 the Commission granted forbearance from dominant carrier regulation of these services. http://transition.fcc.gov/Daily_Releases/Daily_Business/2015/db0316/DOC-332526A1.pdf
The rates, terms and conditions associated with these services are now available at:
<http://www.centurylink.com/Pages/AboutUs/Legal/Tariffs/displayTariffLandingPage.html>

(D)

ISSUE DATE:
April 16, 2015

Issued Under Transmittal No. 69
Vice President-Regulatory Operations
100 CenturyLink Drive
Monroe, Louisiana 71203

EFFECTIVE DATE:
May 1, 2015

ACCESS SERVICE

7. Special Access Service (Cont'd)

7.5 Rates and Charges (Cont'd)

7.5.21 ⁽¹⁾

(D)

⁽¹⁾ The CenturyLink services previously identified on this page are no longer offered under tariff. Effective March 13, 2015 the Commission granted forbearance from dominant carrier regulation of these services. http://transition.fcc.gov/Daily_Releases/Daily_Business/2015/db0316/DOC-332526A1.pdf
The rates, terms and conditions associated with these services are now available at:
<http://www.centurylink.com/Pages/AboutUs/Legal/Tariffs/displayTariffLandingPage.html>

(D)

ISSUE DATE:
April 16, 2015

Issued Under Transmittal No. 69
Vice President-Regulatory Operations
100 CenturyLink Drive
Monroe, Louisiana 71203

EFFECTIVE DATE:
May 1, 2015

ACCESS SERVICE

7. Special Access Service (Cont'd)

7.5 Rates and Charges (Cont'd)

7.5.21 ⁽¹⁾

(D)

⁽¹⁾ The CenturyLink services previously identified on this page are no longer offered under tariff. Effective March 13, 2015 the Commission granted forbearance from dominant carrier regulation of these services. http://transition.fcc.gov/Daily_Releases/Daily_Business/2015/db0316/DOC-332526A1.pdf
The rates, terms and conditions associated with these services are now available at:
<http://www.centurylink.com/Pages/AboutUs/Legal/Tariffs/displayTariffLandingPage.html>

(D)

ISSUE DATE:
April 16, 2015

Issued Under Transmittal No. 69
Vice President-Regulatory Operations
100 CenturyLink Drive
Monroe, Louisiana 71203

EFFECTIVE DATE:
May 1, 2015

ACCESS SERVICE

- 7. Special Access Service (Cont'd)
- 7.5 Rates and Charges (Cont'd)
- 7.5.21 ⁽¹⁾

(D)

⁽¹⁾ The CenturyLink services previously identified on this page are no longer offered under tariff. Effective March 13, 2015 the Commission granted forbearance from dominant carrier regulation of these services. http://transition.fcc.gov/Daily_Releases/Daily_Business/2015/db0316/DOC-332526A1.pdf
The rates, terms and conditions associated with these services are now available at:
<http://www.centurylink.com/Pages/AboutUs/Legal/Tariffs/displayTariffLandingPage.html>

(D)

ISSUE DATE:
April 16, 2015

Issued Under Transmittal No. 69
Vice President-Regulatory Operations
100 CenturyLink Drive
Monroe, Louisiana 71203

EFFECTIVE DATE:
May 1, 2015

ACCESS SERVICE

7. Special Access Service (Cont'd)

7.5 Rates and Charges (Cont'd)

7.5.21 ⁽¹⁾

(D)

⁽¹⁾ The CenturyLink services previously identified on this page are no longer offered under tariff. Effective March 13, 2015 the Commission granted forbearance from dominant carrier regulation of these services. http://transition.fcc.gov/Daily_Releases/Daily_Business/2015/db0316/DOC-332526A1.pdf
The rates, terms and conditions associated with these services are now available at:
<http://www.centurylink.com/Pages/AboutUs/Legal/Tariffs/displayTariffLandingPage.html>

(D)

ISSUE DATE:
April 16, 2015

Issued Under Transmittal No. 69
Vice President-Regulatory Operations
100 CenturyLink Drive
Monroe, Louisiana 71203

EFFECTIVE DATE:
May 1, 2015

ACCESS SERVICE

- 7. Special Access Service (Cont'd)
 - 7.5 Rates and Charges (Cont'd)
 - 7.5.21 ⁽¹⁾

(D)

⁽¹⁾ The CenturyLink services previously identified on this page are no longer offered under tariff. Effective March 13, 2015 the Commission granted forbearance from dominant carrier regulation of these services. http://transition.fcc.gov/Daily_Releases/Daily_Business/2015/db0316/DOC-332526A1.pdf
The rates, terms and conditions associated with these services are now available at:
<http://www.centurylink.com/Pages/AboutUs/Legal/Tariffs/displayTariffLandingPage.html>

(D)

ISSUE DATE:
April 16, 2015

Issued Under Transmittal No. 69
Vice President-Regulatory Operations
100 CenturyLink Drive
Monroe, Louisiana 71203

EFFECTIVE DATE:
May 1, 2015

ACCESS SERVICE

- 7. Special Access Service (Cont'd)
 - 7.5 Rates and Charges (Cont'd)
 - 7.5.21 ⁽¹⁾

(D)

⁽¹⁾ The CenturyLink services previously identified on this page are no longer offered under tariff. Effective March 13, 2015 the Commission granted forbearance from dominant carrier regulation of these services. http://transition.fcc.gov/Daily_Releases/Daily_Business/2015/db0316/DOC-332526A1.pdf
The rates, terms and conditions associated with these services are now available at:
<http://www.centurylink.com/Pages/AboutUs/Legal/Tariffs/displayTariffLandingPage.html>

(D)

ISSUE DATE:
April 16, 2015

Issued Under Transmittal No. 69
Vice President-Regulatory Operations
100 CenturyLink Drive
Monroe, Louisiana 71203

EFFECTIVE DATE:
May 1, 2015

ACCESS SERVICE

- 7. Special Access Service (Cont'd)
 - 7.5 Rates and Charges (Cont'd)
 - 7.5.21 ⁽¹⁾

(D)

(D)

⁽¹⁾ The CenturyLink services previously identified on this page are no longer offered under tariff. Effective March 13, 2015 the Commission granted forbearance from dominant carrier regulation of these services. http://transition.fcc.gov/Daily_Releases/Daily_Business/2015/db0316/DOC-332526A1.pdf
The rates, terms and conditions associated with these services are now available at:
<http://www.centurylink.com/Pages/AboutUs/Legal/Tariffs/displayTariffLandingPage.html>

ISSUE DATE:
April 16, 2015

Issued Under Transmittal No. 69
Vice President-Regulatory Operations
100 CenturyLink Drive
Monroe, Louisiana 71203

EFFECTIVE DATE:
May 1, 2015

ACCESS SERVICE

7. Special Access Service (Cont'd)

7.5 Rates and Charges (Cont'd)

7.5.21 ⁽¹⁾

(D)

(D)

⁽¹⁾ The CenturyLink services previously identified on this page are no longer offered under tariff. Effective March 13, 2015 the Commission granted forbearance from dominant carrier regulation of these services. http://transition.fcc.gov/Daily_Releases/Daily_Business/2015/db0316/DOC-332526A1.pdf
The rates, terms and conditions associated with these services are now available at:
<http://www.centurylink.com/Pages/AboutUs/Legal/Tariffs/displayTariffLandingPage.html>

ISSUE DATE:
April 16, 2015

Issued Under Transmittal No. 69
Vice President-Regulatory Operations
100 CenturyLink Drive
Monroe, Louisiana 71203

EFFECTIVE DATE:
May 1, 2015

ACCESS SERVICE

- 7. Special Access Service (Cont'd)
 - 7.5 Rates and Charges (Cont'd)
 - 7.5.21 ⁽¹⁾

(D)

⁽¹⁾ The CenturyLink services previously identified on this page are no longer offered under tariff. Effective March 13, 2015 the Commission granted forbearance from dominant carrier regulation of these services. http://transition.fcc.gov/Daily_Releases/Daily_Business/2015/db0316/DOC-332526A1.pdf
The rates, terms and conditions associated with these services are now available at:
<http://www.centurylink.com/Pages/AboutUs/Legal/Tariffs/displayTariffLandingPage.html>

(D)

ISSUE DATE:
April 16, 2015

Issued Under Transmittal No. 69
Vice President-Regulatory Operations
100 CenturyLink Drive
Monroe, Louisiana 71203

EFFECTIVE DATE:
May 1, 2015

ACCESS SERVICE

7. Special Access Service (Cont'd)

7.5 Rates and Charges (Cont'd)

7.5.21 ⁽¹⁾

(D)

⁽¹⁾ The CenturyLink services previously identified on this page are no longer offered under tariff. Effective March 13, 2015 the Commission granted forbearance from dominant carrier regulation of these services. http://transition.fcc.gov/Daily_Releases/Daily_Business/2015/db0316/DOC-332526A1.pdf
The rates, terms and conditions associated with these services are now available at:
<http://www.centurylink.com/Pages/AboutUs/Legal/Tariffs/displayTariffLandingPage.html>

(D)

ISSUE DATE:
April 16, 2015

Issued Under Transmittal No. 69
Vice President-Regulatory Operations
100 CenturyLink Drive
Monroe, Louisiana 71203

EFFECTIVE DATE:
May 1, 2015

ACCESS SERVICE

7. Special Access Service (Cont'd)

7.5 Rates and Charges (Cont'd)

7.5.21 ⁽¹⁾

(D)

(D)

⁽¹⁾ The CenturyLink services previously identified on this page are no longer offered under tariff. Effective March 13, 2015 the Commission granted forbearance from dominant carrier regulation of these services. http://transition.fcc.gov/Daily_Releases/Daily_Business/2015/db0316/DOC-332526A1.pdf
The rates, terms and conditions associated with these services are now available at:
<http://www.centurylink.com/Pages/AboutUs/Legal/Tariffs/displayTariffLandingPage.html>

ISSUE DATE:
April 16, 2015

Issued Under Transmittal No. 69
Vice President-Regulatory Operations
100 CenturyLink Drive
Monroe, Louisiana 71203

EFFECTIVE DATE:
May 1, 2015

ACCESS SERVICE

7. Special Access Service (Cont'd)

7.5 Rates and Charges (Cont'd)

7.5.21 ⁽¹⁾

(D)

⁽¹⁾ The CenturyLink services previously identified on this page are no longer offered under tariff. Effective March 13, 2015 the Commission granted forbearance from dominant carrier regulation of these services. http://transition.fcc.gov/Daily_Releases/Daily_Business/2015/db0316/DOC-332526A1.pdf
The rates, terms and conditions associated with these services are now available at:
<http://www.centurylink.com/Pages/AboutUs/Legal/Tariffs/displayTariffLandingPage.html>

(D)

ISSUE DATE:
April 16, 2015

Issued Under Transmittal No. 69
Vice President-Regulatory Operations
100 CenturyLink Drive
Monroe, Louisiana 71203

EFFECTIVE DATE:
May 1, 2015

ACCESS SERVICE

- 7. Special Access Service (Cont'd)
- 7.5 Rates and Charges (Cont'd)
- 7.5.21 ⁽¹⁾

(D)

⁽¹⁾ The CenturyLink services previously identified on this page are no longer offered under tariff. Effective March 13, 2015 the Commission granted forbearance from dominant carrier regulation of these services. http://transition.fcc.gov/Daily_Releases/Daily_Business/2015/db0316/DOC-332526A1.pdf
The rates, terms and conditions associated with these services are now available at:
<http://www.centurylink.com/Pages/AboutUs/Legal/Tariffs/displayTariffLandingPage.html>

(D)

ISSUE DATE:
April 16, 2015

Issued Under Transmittal No. 69
Vice President-Regulatory Operations
100 CenturyLink Drive
Monroe, Louisiana 71203

EFFECTIVE DATE:
May 1, 2015

ACCESS SERVICE

7. Special Access Service (Cont'd)

7.6 Individual Case Filings

(D)

(D)

ISSUE DATE:
May 13, 2011

Issued Under Transmittal No. 4
Vice President-Regulatory Operations
100 CenturyLink Drive
Monroe, Louisiana 71203

EFFECTIVE DATE:
May 28, 2011

ACCESS SERVICE

7. Special Access Service (Cont'd)

7.6 Individual Case Filings (Cont'd)

(D)

(D)

ISSUE DATE:
May 13, 2011

Issued Under Transmittal No. 4
Vice President-Regulatory Operations
100 CenturyLink Drive
Monroe, Louisiana 71203

EFFECTIVE DATE:
May 28, 2011

ACCESS SERVICE

7. Special Access Service (Cont'd)7.6 Individual Case Filings (Cont'd)NEVADACustomer

WorldCom
6929 North Lakewood, MD 2.2
Tulsa, OK 74117

Description

Provide four dedicated point-to-point OC48 fiber optic systems between WorldCom's POP located at 4428 Sahara Avenue, Las Vegas, Nevada and the Las Vegas central office located at 125 South Las Vegas Boulevard, Las Vegas, Nevada.

Monthly Recurring Charge: \$54,990.00

Termination Liability:

The minimum service period is 60 months. If the customer disconnects service prior to the end of the 12th month, termination liability charges equal to 100% of the remaining monthly payments for the 60 month term will apply. If the customer disconnects service after the 12th month, termination liability charges equal to 50% of the remaining monthly payments for the 60 month term will apply. If the customer requests cancellation of the order prior to the service being turned up, liability charges equal to 100% of the expenses incurred from the date of receiving written acceptance to the date of receiving written cancellation will apply.

USOC

NV040

ISSUE DATE:
February 28, 2011

Issued Under Transmittal No. 1
Vice President-Regulatory Operations
100 CenturyLink Drive
Monroe, Louisiana 71203

EFFECTIVE DATE:
March 1, 2011

ACCESS SERVICE

7. Special Access Service (Cont'd)7.6 Individual Case Filings (Cont'd)NEVADACustomer

Sprint PCS
P.O. Box 30129
Kansas City, Missouri 64112

Description

Provide three DS1 radio interfaces and associated equipment between the Laughlin central office located at 1175 Casino Drive, Laughlin, Nevada; the telephone company's microwave site on Christmas Tree Mountain, Clark County, Nevada; and the customer's cell site located on Christmas Tree Mountain.

Monthly Recurring Charge: \$4,685.00

Termination Liability:

The minimum service period is 12 months. If the customer disconnects service prior to the end of the 12th month, termination liability charges equal to 100% of the remaining monthly payments for the 12 month term will apply

USOC

NV042

ISSUE DATE:
February 28, 2011

Issued Under Transmittal No. 1
Vice President-Regulatory Operations
100 CenturyLink Drive
Monroe, Louisiana 71203

EFFECTIVE DATE:
March 1, 2011

ACCESS SERVICE

7. Special Access Service (Cont'd)7.6 Individual Case Filings (Cont'd)NEVADACustomer

Internet MCI
 1650 Tysons Boulevard
 McLean, Virginia 22102
 ICB# 1999-WO-4EJRVL

Description**

Provide direct inward dialing (DID) functionality on the customer's DS1 facilities between the Telephone Company's Las Vegas main central office located at 125 Las Vegas Boulevard, Las Vegas, Nevada and the customer's designated premises located at 4187 East Sahara, Las Vegas, Nevada.

Monthly Recurring Charge: \$17.45*
 Per DID Trunk

USOC

NV057

Termination Liability:

The minimum service period is 36 month. If the customers disconnects service prior to the end of the 36th month, termination liability charges equal to 100% of the remaining monthly payments for the 36 month term will apply.

* The rate listed above is in addition to all applicable, general tariffed rates for high capacity service as found in Section 7.5.8.

** Should a general tariff offering for this service become available, the customer will be required to convert to the general tariff rates and regulations or discontinue service without termination liability. If the general tariff rates are equal to or lower than the ICB rates, the customer will be converted coincident with the effective date of the general offering. If the general tariff rates are higher than the ICB rates, the customer must convert within one year of the effective date of the general offering.

ISSUE DATE:
 February 28, 2011

Issued Under Transmittal No. 1
 Vice President-Regulatory Operations
 100 CenturyLink Drive
 Monroe, Louisiana 71203

EFFECTIVE DATE:
 March 1, 2011

ACCESS SERVICE

7. Special Access Service (Cont'd)

7.6 Individual Case Filings (Cont'd)

(D)

(D)

ISSUE DATE:
May 13, 2011

Issued Under Transmittal No. 4
Vice President-Regulatory Operations
100 CenturyLink Drive
Monroe, Louisiana 71203

EFFECTIVE DATE:
May 28, 2011

ACCESS SERVICE

7. Special Access Service (Cont'd)

7.6 Individual Case Filings (Cont'd)

This page is reserved for future use.

(N)

(D)

(D)

Material deleted from this page now appears in Brightspeed Local Operating Companies Tariff F.C.C. NO. 9.

(N)

(N)

ISSUE DATE:
September 19, 2022

Issued Under Transmittal No. 125
Vice President-Regulatory Operations
100 CenturyLink Drive
Monroe, Louisiana 71203

EFFECTIVE DATE:
October 4, 2022

ACCESS SERVICE

7. Special Access Service (Cont'd)

7.6 Individual Case Filings (Cont'd)

This page is reserved for future use.

(N)

(D)

(D)

Material deleted from this page now appears in Brightspeed Local Operating Companies Tariff F.C.C. NO. 9.

(N)

(N)

ISSUE DATE:
September 19, 2022

Issued Under Transmittal No. 125
Vice President-Regulatory Operations
100 CenturyLink Drive
Monroe, Louisiana 71203

EFFECTIVE DATE:
October 4, 2022

ACCESS SERVICE

7. Special Access Service (Cont'd)

7.6 Individual Case Filings (Cont'd)

This page is reserved for future use.

(N)

(D)

(D)

Material deleted from this page now appears in Brightspeed Local Operating Companies Tariff F.C.C. NO. 9.

(N)

(N)

ISSUE DATE:
September 19, 2022

Issued Under Transmittal No. 125
Vice President-Regulatory Operations
100 CenturyLink Drive
Monroe, Louisiana 71203

EFFECTIVE DATE:
October 4, 2022

ACCESS SERVICE

8. Specialized Network Services (Cont'd)

8.1 Reserved for Future Use

8.2 Reserved for Future Use

ISSUE DATE:
February 28, 2011

Issued Under Transmittal No. 1
Vice President-Regulatory Operations
100 CenturyLink Drive
Monroe, Louisiana 71203

EFFECTIVE DATE:
March 1, 2011

ACCESS SERVICE

8. Specialized Network Services (Cont'd)

8.3 Reserved for Future Use

(C)

(D)

(D)

ISSUE DATE:
October 17, 2017

Issued Under Transmittal No. 96
Vice President-Regulatory Operations
100 CenturyLink Drive
Monroe, Louisiana 71203

EFFECTIVE DATE:
November 1, 2017

ACCESS SERVICE

8. Specialized Network Services (Cont'd)

8.3 Reserved for Future Use

(C)

(D)

(D)

ISSUE DATE:
October 17, 2017

Issued Under Transmittal No. 96
Vice President-Regulatory Operations
100 CenturyLink Drive
Monroe, Louisiana 71203

EFFECTIVE DATE:
November 1, 2017

ACCESS SERVICE

8. Specialized Network Services (Cont'd)

8.3 Reserved for Future Use (Cont'd)

(C)

(D)

(D)

ISSUE DATE:
October 17, 2017

Issued Under Transmittal No. 96
Vice President-Regulatory Operations
100 CenturyLink Drive
Monroe, Louisiana 71203

EFFECTIVE DATE:
November 1, 2017

ACCESS SERVICE

8. Specialized Network Services (Cont'd)

8.3 Reserved for Future Use (Cont'd)

(C)

(D)

(D)

ISSUE DATE:
October 17, 2017

Issued Under Transmittal No. 96
Vice President-Regulatory Operations
100 CenturyLink Drive
Monroe, Louisiana 71203

EFFECTIVE DATE:
November 1, 2017

ACCESS SERVICE

8. Specialized Network Services (Cont'd)

8.3 Reserved for Future Use (Cont'd)

(C)

(D)

(D)

ISSUE DATE:
October 17, 2017

Issued Under Transmittal No. 96
Vice President-Regulatory Operations
100 CenturyLink Drive
Monroe, Louisiana 71203

EFFECTIVE DATE:
November 1, 2017

ACCESS SERVICE

8. Specialized Network Services (Cont'd)

8.3 Reserved for Future Use (Cont'd)

(C)

(D)

(D)

ISSUE DATE:
October 17, 2017

Issued Under Transmittal No. 96
Vice President-Regulatory Operations
100 CenturyLink Drive
Monroe, Louisiana 71203

EFFECTIVE DATE:
November 1, 2017

ACCESS SERVICE

8. Specialized Network Services (Cont'd)

8.3 Reserved for Future Use (Cont'd)

(C)

(D)

(D)

ISSUE DATE:
October 17, 2017

Issued Under Transmittal No. 96
Vice President-Regulatory Operations
100 CenturyLink Drive
Monroe, Louisiana 71203

EFFECTIVE DATE:
November 1, 2017

ACCESS SERVICE

8. Specialized Network Services (Cont'd)

8.3 Reserved for Future Use (Cont'd)

(C)

(D)

(D)

ISSUE DATE:
October 17, 2017

Issued Under Transmittal No. 96
Vice President-Regulatory Operations
100 CenturyLink Drive
Monroe, Louisiana 71203

EFFECTIVE DATE:
November 1, 2017

ACCESS SERVICE

8. Specialized Network Services (Cont'd)

8.3 Reserved for Future Use (Cont'd)

(C)

(D)

(D)

ISSUE DATE:
October 17, 2017

Issued Under Transmittal No. 96
Vice President-Regulatory Operations
100 CenturyLink Drive

EFFECTIVE DATE:
November 1, 2017

ACCESS SERVICE

8. Specialized Network Services (Cont'd)

8.3 Reserved for Future Use (Cont'd)

(C)

(D)

(D)

ISSUE DATE:
October 17, 2017

Issued Under Transmittal No. 96
Vice President-Regulatory Operations
100 CenturyLink Drive
Monroe, Louisiana 71203

EFFECTIVE DATE:
November 1, 2017

ACCESS SERVICE

8. Specialized Network Services (Cont'd)

8.3 Reserved for Future Use (Cont'd)

(C)

(D)

(D)

ISSUE DATE:
October 17, 2017

Issued Under Transmittal No. 96
Vice President-Regulatory Operations
100 CenturyLink Drive
Monroe, Louisiana 71203

EFFECTIVE DATE:
November 1, 2017

ACCESS SERVICE

8. Specialized Network Services (Cont'd)

8.3 Reserved for Future Use (Cont'd)

(C)

(D)

(D)

ISSUE DATE:
October 17, 2017

Issued Under Transmittal No. 96
Vice President-Regulatory Operations
100 CenturyLink Drive
Monroe, Louisiana 71203

EFFECTIVE DATE:
November 1, 2017

ACCESS SERVICE

8. Specialized Network Services (Cont'd)

8.3 Reserved for Future Use (Cont'd)

(C)

(D)

(D)

ISSUE DATE:
October 17, 2017

Issued Under Transmittal No. 96
Vice President-Regulatory Operations
100 CenturyLink Drive
Monroe, Louisiana 71203

EFFECTIVE DATE:
November 1, 2017

ACCESS SERVICE

8. Specialized Network Services (Cont'd)

8.3 Reserved for Future Use (Cont'd)

(C)

(D)

(D)

ISSUE DATE:
October 17, 2017

Issued Under Transmittal No. 96
Vice President-Regulatory Operations
100 CenturyLink Drive
Monroe, Louisiana 71203

EFFECTIVE DATE:
November 1, 2017

ACCESS SERVICE

8. Specialized Network Services (Cont'd)

8.3 Reserved for Future Use (Cont'd)

(C)

(D)

(D)

ISSUE DATE:
October 17, 2017

Issued Under Transmittal No. 96
Vice President-Regulatory Operations
100 CenturyLink Drive
Monroe, Louisiana 71203

EFFECTIVE DATE:
November 1, 2017

ACCESS SERVICE

8. Specialized Network Services (Cont'd)

8.3 Reserved for Future Use (Cont'd)

(C)

(D)

(D)

ISSUE DATE:
October 17, 2017

Issued Under Transmittal No. 96
Vice President-Regulatory Operations
100 CenturyLink Drive
Monroe, Louisiana 71203

EFFECTIVE DATE:
November 1, 2017

ACCESS SERVICE

8. Specialized Network Services (Cont'd)

8.3 Reserved for Future Use (Cont'd)

(C)

(D)

(D)

ISSUE DATE:
October 17, 2017

Issued Under Transmittal No. 96
Vice President-Regulatory Operations
100 CenturyLink Drive
Monroe, Louisiana 71203

EFFECTIVE DATE:
November 1, 2017

ACCESS SERVICE

8. Specialized Network Services (Cont'd)

8.3 Reserved for Future Use (Cont'd)

(C)

(D)

(D)

ISSUE DATE:
October 17, 2017

Issued Under Transmittal No. 96
Vice President-Regulatory Operations
100 CenturyLink Drive
Monroe, Louisiana 71203

EFFECTIVE DATE:
November 1, 2017

ACCESS SERVICE

8. Specialized Network Services (Cont'd)

8.3 Reserved for Future Use (Cont'd)

(C)

(D)

(D)

ISSUE DATE:
October 17, 2017

Issued Under Transmittal No. 96
Vice President-Regulatory Operations
100 CenturyLink Drive
Monroe, Louisiana 71203

EFFECTIVE DATE:
November 1, 2017

ACCESS SERVICE

8. Specialized Network Services (Cont'd)

8.3 Reserved for Future Use (Cont'd)

(C)

(D)

(D)

ISSUE DATE:
October 17, 2017

Issued Under Transmittal No. 96
Vice President-Regulatory Operations
100 CenturyLink Drive
Monroe, Louisiana 71203

EFFECTIVE DATE:
November 1, 2017

ACCESS SERVICE

8. Specialized Network Services (Cont'd)

8.3 Reserved for Future Use (Cont'd)

(C)

(D)

(D)

ISSUE DATE:
October 17, 2017

Issued Under Transmittal No. 96
Vice President-Regulatory Operations
100 CenturyLink Drive
Monroe, Louisiana 71203

EFFECTIVE DATE:
November 1, 2017

ACCESS SERVICE

8. Specialized Network Services (Cont'd)

8.3 Reserved for Future Use (Cont'd)

(C)

(D)

(D)

ISSUE DATE:
October 17, 2017

Issued Under Transmittal No. 96
Vice President-Regulatory Operations
100 CenturyLink Drive
Monroe, Louisiana 71203

EFFECTIVE DATE:
November 1, 2017

ACCESS SERVICE

8. Specialized Network Services (Cont'd)

8.3 Reserved for Future Use (Cont'd)

(C)

(D)

(D)

ISSUE DATE:
October 17, 2017

Issued Under Transmittal No. 96
Vice President-Regulatory Operations
100 CenturyLink Drive
Monroe, Louisiana 71203

EFFECTIVE DATE:
November 1, 2017

ACCESS SERVICE

8. Specialized Network Services (Cont'd)

8.3 Reserved for Future Use (Cont'd)

(C)

(D)

(D)

ACCESS SERVICE

8. Specialized Network Services (Cont'd)

8.3 Reserved for Future Use (Cont'd)

(C)

(D)

(D)

ACCESS SERVICE

8. Specialized Network Services (Cont'd)

8.3 Reserved for Future Use (Cont'd)

(C)

(D)

(D)

ISSUE DATE:
October 17, 2017

Issued Under Transmittal No. 96
Vice President-Regulatory Operations
100 CenturyLink Drive
Monroe, Louisiana 71203

EFFECTIVE DATE:
November 1, 2017

ACCESS SERVICE

8. Specialized Network Services (Cont'd)

8.3 Reserved for Future Use (Cont'd)

(C)

(D)

(D)

ISSUE DATE:
October 17, 2017

Issued Under Transmittal No. 96
Vice President-Regulatory Operations
100 CenturyLink Drive
Monroe, Louisiana 71203

EFFECTIVE DATE:
November 1, 2017

ACCESS SERVICE

8. Specialized Network Services (Cont'd)8.4 Wide Area Data Network Service8.4.1 Service Description

Wide Area Data Network (WADN) Service is a router-based data network service provisioned over Telephone Company provided facilities. WADN Service provides customers with local area network (LAN) to LAN, workstation to LAN, and LAN to workstation connectivity. WADN Service is provided on a dedicated basis at port speeds of 56.0 kbps, 128.0 kbps, and 1.544 Mbps.

WADN Service is offered where facilities exist. In situations where the Telephone Company must construct facilities to satisfy customer requests, WADN Service may be provided in accordance with the special construction provisions set forth in Section 14 following. If the customer is located in an area outside of the WADN, special access rates as set forth in Section 7 preceding will apply to dedicated facilities provided for customer connection to the WADN.

8.4.2 Rate Regulations

The minimum service period for WADN Service is three months.

When ordering WADN Service, the customer must specify all locations within the WADN which will be accessed for data transactions. The Dedicated Network Access Charge is applicable for each location connected to the WADN.

The administrative charge applies to each request received from a customer to add, change, delete, or otherwise modify the customer's routing patterns within the WADN.

ACCESS SERVICE

8. Specialized Network Services (Cont'd)8.4 Wide Area Data Network Service (Cont'd)8.4.3 Rates and ChargesSTATES OF OREGON AND WASHINGTON

	<u>Nonrecurring Charge</u>	<u>Monthly Rate</u>
(A) <u>Dedicated Network Access</u>		
- 56.0 KBps	\$200.00	\$325.00
- 56.0 KBps	\$200.00	\$375.00
- 56.0 KBps	\$200.00	\$800.00
(B) <u>Administrative Charge</u>		
	\$50.00	NONE

ISSUE DATE:
February 28, 2011

Issued Under Transmittal No. 1
Vice President-Regulatory Operations
100 CenturyLink Drive
Monroe, Louisiana 71203

EFFECTIVE DATE:
March 1, 2011

ACCESS SERVICE

9. Directory Assistance Service

The Telephone Company will provide Directory Assistance (DA) Service to a customer from Directory Assistance Service locations (DA location).

9.1 General Description

DA Service provides Directory Access Service to DA locations, use of DA access equipment, and use of DA operators to provide telephone numbers.

9.2 Undertaking of the Telephone Company

(A) A Telephone Company DA operator, when furnished a name and locality, will provide or attempt to provide the telephone number listed in the Telephone Company DA records associated with the name given at the rates and charges as set forth in 9.6 following. The Telephone Company's contact with the customer's end user shall be limited to that effort necessary to process a customer's end user's request for a telephone number; and the Telephone Company will not transfer, forward or redial a customer's end user call to any other location for any purpose other than provision of DA Service.

(B) A maximum of two (2) requests for telephone numbers will be accepted per call to the DA operator.

(C) A telephone number which is not listed in the DA records will not be available to the customer's end user.

(D) The Telephone Company will specify the DA location which provides the DA Service for each numbering plan area code (NPA). The DA locations are as shown in National Exchange Carrier Association, Inc. Tariff F.C.C. No. 4.

When it becomes necessary, as determined by the Telephone Company, to change a DA location, the Telephone Company will notify the involved customers six months prior to the change. For such changes, the regulations as set forth in 2.1.7 preceding apply.

(E) When DA Service is ordered, Directory Access Service will be provided between the customer premises and the DA location by the Telephone Company at the rates and charges set forth in 9.6 following.

ISSUE DATE:
February 28, 2011

Issued Under Transmittal No. 1
Vice President-Regulatory Operations
100 CenturyLink Drive
Monroe, Louisiana 71203

EFFECTIVE DATE:
March 1, 2011

ACCESS SERVICE

9. Directory Assistance Service (Cont'd)9.2 Undertaking of the Telephone Company (Cont'd)

(E) (Cont'd)

(1) General

Each Directory Access Service will consist of the following:

- An Interface Group equipped with an available Premises Interface Code as set forth in 6.4.3 preceding.
- Directory Transport between the premises serving wire center and the DA location.

When required by the Telephone Company, a separate trunk group will be provided for DA Service for each NPA. Separate trunk groups will be required when the Telephone Company notifies the customer that the mechanized search of its data base and its mechanized operator practices require a mechanized identification of the NPA code for which the customer's end user desires DA information.

(2) Switched Transport Premises Interface Code

The Switched Access Service Switched Transport Premises Interface Codes are provided as set forth in 6.4.3 preceding. Further, when an access tandem is provided, the Directory Access Service will be provided, at the Telephone Company's choice, either as a separate trunk group or in association with Feature Group C or D Switched Access Service. Except as set forth in 9.4 (B) and (C) following, the Switched Transport Premises Interface Codes provided under a Special Order for Directory Access Service are subject to the order conditions as set forth in 5.1.1 preceding. For purposes of applying the order regulations, a DA location is considered to be a customer's end user's serving wire center.

ISSUE DATE:
February 28, 2011

Issued Under Transmittal No. 1
Vice President-Regulatory Operations
100 CenturyLink Drive
Monroe, Louisiana 71203

EFFECTIVE DATE:
March 1, 2011

ACCESS SERVICE

9. Directory Assistance Service (Cont'd)9.2 Undertaking of the Telephone Company (Cont'd)

(E) (Cont'd)

(3) Directory Transport

Directory Transport provides the transmission facilities and transport termination between the premises of the ordering customer and the DA location. For purposes of determining Directory Transport mileage, distance will be measured from the wire center that normally serves the customer premises to the DA location(s).

Directory Transport is a two-way voice frequency transmission path composed of facilities determined by the Telephone Company. The two-way voice frequency path transports calls in the terminating direction (from the premises of the ordering customer to the DA location). The voice frequency transmission path may be comprised of any form or configuration of plant capable of and typically used in the telecommunications industry for the transmission of voice and associated telephone signals within the frequency band width of approximately 300 to 3000 Hz.

The Telephone Company will determine whether the Directory Access Service is to be routed directly to a DA location or through an appropriately equipped access tandem switch when such an access tandem switch is available. If the customer desires the traffic routing to be other than that selected by the Telephone Company, it may request a cooperative effort to determine if the customer specified traffic routing can be used in lieu of the Telephone Company selected traffic routing.

When Directory Transport is provided using a direct route to the DA location, no address signaling is provided. When Directory Transport is provided with the use of an access tandem switch, wink start-start pulsing signaling is provided at the access tandem switch. The customer will be notified by the Telephone Company when access tandem routing is provided and the customer shall address each call to the DA location using NPA + 555 + 1212. Only NPA codes handled by the DA location served by the access tandem switch will be processed.

ISSUE DATE:
February 28, 2011

Issued Under Transmittal No. 1
Vice President-Regulatory Operations
100 CenturyLink Drive
Monroe, Louisiana 71203

EFFECTIVE DATE:
March 1, 2011

ACCESS SERVICE

9. Directory Assistance Service (Cont'd)9.2 Undertaking of the Telephone Company (Cont'd)

(E) (Cont'd)

(3) Directory Transport (Cont'd)

The number of Directory Transport transmission paths provided is based on the customer's order and is determined by the Telephone Company in a manner similar to Switched Access Service transmission paths as set forth in 6.5.5 preceding.

Except as set forth in 9.4 (A) following, Directory Transport provided under a Special Order is subject to all order conditions as set forth in Section 5 preceding.

Directory Transport is provided with a Switched Transport Interface Group as set forth in 6.4.3 preceding. Only Switched Transport Interface Groups 2-9 will be provided.

Directory Transport Services are comprised of the following rate elements, which are more fully described in 6.1.2 (A) and (B) preceding:

- Entrance Facility - for the transport of the DA call from the customer's premises to the serving wire center of that premises.
- Direct-Trunked Transport - for the transport of the DA call from the customer's serving wire center to the DA location without switching at a tandem or from the serving wire center to the tandem. This rate element includes both the termination (fixed) and facility (per mile).

ISSUE DATE:
February 28, 2011

Issued Under Transmittal No. 1
Vice President-Regulatory Operations
100 CenturyLink Drive
Monroe, Louisiana 71203

EFFECTIVE DATE:
March 1, 2011

ACCESS SERVICE

9. Directory Assistance Service (Cont'd)9.2 Undertaking of the Telephone Company (Cont'd)

(E) (Cont'd)

(3) Directory Transport (Cont'd)

- Tandem Switched Transport - for the transport of the DA call from the tandem to the DA location. This rate element includes Tandem Switched Transmission, Tandem Switching, Common and Dedicated Transport Multiplexing and Common and Dedicated Trunk Ports.
- Multiplexing - DS3 to DS1 multiplexing charges apply when a high capacity DS3 entrance facility or direct-trunked facility is connected with high capacity DS1 direct-trunked transport. The DS3 to DS1 multiplexer will convert a 44.736 Mbps channel to 28 DS1 channels using digital time division multiplexing. DS1 to voice grade multiplexing charges apply when a high capacity DS1 entrance facility or direct-trunked facility is connected with voice grade direct-trunked transport. The DS1 to voice grade multiplexer will convert a 1.544 Mbps channel to 24 voice grade channels.

The customer will specify whether the Directory Access service is to be routed directly to a DA location or through an access tandem switch appropriately equipped for DA measurement and served by DA trunks to the DA location when such an access tandem switch is available. The combination of Feature Group B, C or D switched access service with DA service will only be provided at such available and appropriately equipped access tandem switches.

ISSUE DATE:
February 28, 2011

Issued Under Transmittal No. 1
Vice President-Regulatory Operations
100 CenturyLink Drive
Monroe, Louisiana 71203

EFFECTIVE DATE:
March 1, 2011

ACCESS SERVICE

9. Directory Assistance Service (Cont'd)9.2 Undertaking of the Telephone Company (Cont'd)

(E) (Cont'd)

(4) Special Facilities Routing

A customer may request that Directory Access Service be provided via Special Facilities Routing. The regulations, rates and charges for Special Facility Routing (Avoidance, Diversity and Cable Only) are as set forth in Section 11 following.

(5) Design Layout Report

The Telephone Company will provide to the customer the makeup of the facilities and services provided under this section as Directory Access Service. This information will be provided in the form of a Design Layout Report similar to that as set forth in 6.1.4. Design Layout Reports for Directory Access Service will be provided only when specifically requested by the customer. The Design Layout Report will be provided to the customer at no charge, and will be reissued or updated whenever the facilities provided for the customer's use are materially changed.

ISSUE DATE:
February 28, 2011

Issued Under Transmittal No. 1
Vice President-Regulatory Operations
100 CenturyLink Drive
Monroe, Louisiana 71203

EFFECTIVE DATE:
March 1, 2011

ACCESS SERVICE

9. Directory Assistance Service (Cont'd)9.2 Undertaking of the Telephone Company (Cont'd)

(E) (Cont'd)

(6) Transmission Specifications

Directory Access Service is provided with either Type A, B or C Transmission Specifications. The specifications associated with these parameters are guaranteed to the DA location, whether routed directly or via an access tandem. Type B Transmission Specification is provided with Interface Groups 2 through 9 when routed direct to a DA location. Type A Transmission Specification is provided with Interface Groups 2 through 9 when routed via an access tandem. A, B and C Transmission Specifications Capabilities are set forth in 6.4.1 preceding.

(7) Acceptance Testing and Testing Capabilities

The acceptance testing and testing capabilities for Directory Access Service traffic routed through an access tandem are the same as those for the associated Feature Group C or D end office switching. The acceptance testing for Directory Access Service traffic routed directly to or routed in a separate trunk group through an access tandem to the DA location will be as set forth in 6.1.5 preceding. The testing capabilities for Directory Access Service traffic routed directly to or routed in a separate trunk group through an access tandem to the DA location will be as set forth for cooperative scheduled testing or manual scheduled testing in Section 13 following.

(F) Trunk-side switching is provided at the Directory Assistance Service access location. The Directory Assistance Service access location will provide trunk answer and disconnect supervisory signaling.

ISSUE DATE:
February 28, 2011

Issued Under Transmittal No. 1
Vice President-Regulatory Operations
100 CenturyLink Drive
Monroe, Louisiana 71203

EFFECTIVE DATE:
March 1, 2011

ACCESS SERVICE

9. Directory Assistance Service (Cont'd)9.2 Undertaking of the Telephone Company (Cont'd)

- (G) The Telephone Company will distribute the calls received over the Directory Access Services to the DA operators using the DA location access equipment.
- (H) In the event that the telephone number is unavailable to the DA operator, no credit shall be given for the call to the DA operator. When the DA location or DA operator equipment or terminals are out of service due to a Telephone Company equipment failure or an incorrect telephone number is provided by the DA operator, a credit as set forth in 9.4(F) following will apply.
- (I) DA Service may, at the option of the customer, be provided for interstate and intrastate communications. When the customer requests such mixed access, the interstate DA Service charges will be determined by the Telephone Company using the data furnished by the customer as set forth in 2.3.11 preceding.
- (J) The Telephone Company does not provide Directory Assistance Service for Interim 500 Access Service, Toll Free Code (TFC) Access Service or 900 Access Service.

9.3 Obligations of the Customer

- (A) The customer shall determine and order the Directory Access Services it needs for DA Service.
- (B) When Directory Assistance Service is initially ordered, the customer shall order the service for at least six months. Thereafter, additional service may be ordered for a minimum of six months. Not later than three months prior to the end of the six month period, the customer shall notify the Telephone Company if the service is to be discontinued at the end of the six month period. If no notice is received from the customer, the Telephone Company will automatically extend the service for another six months and all appropriate charges as set forth in 9.6 following for another six months will apply.

ISSUE DATE:
February 28, 2011

Issued Under Transmittal No. 1
Vice President-Regulatory Operations
100 CenturyLink Drive
Monroe, Louisiana 71203

EFFECTIVE DATE:
March 1, 2011

ACCESS SERVICE

9. Directory Assistance Service (Cont'd)9.3 Obligations of the Customer (Cont'd)

- (C) The customer facilities at the premises shall provide the necessary on-hook and off-hook supervision.
- (D) When requested by the Telephone Company, the customer shall order a separate trunk group for DA Service for each NPA. The conditions when the customer will be requested to order separate trunk groups for each NPA are set forth in 9.2(E)(1) preceding.
- (E) When the customer bills its end users, the customer shall be responsible for all contacts and arrangements with its end users concerning the provision and maintenance of, and the billing and collecting of charges for, DA services furnished to its end users.
- (F) The customer understands that DA operators will respond to only two (2) telephone number requests per call and will not transfer, forward or redial the call to another location for any purpose other than the provision of DA Service.

9.4 Payment Arrangements(A) Minimum Periods

The minimum period for which DA Service and the Directory Access Service is provided and for which charges apply is six months. A minimum period of six months applies for each additional period of service ordered or extended.

If DA Service is discontinued prior to the end of each six month period, the charges that apply for the remaining months are the non-recoverable costs. Such costs include the non-recoverable cost of equipment and material ordered, provided or used, plus the non-recoverable cost of installation and removal including the costs of engineering, labor, supervision, transportation, rights-of-way and other associated costs less estimated net salvage.

ISSUE DATE:
February 28, 2011

Issued Under Transmittal No. 1
Vice President-Regulatory Operations
100 CenturyLink Drive
Monroe, Louisiana 71203

EFFECTIVE DATE:
March 1, 2011

ACCESS SERVICE

9. Directory Assistance Service (Cont'd)9.4 Payment Arrangements (Cont'd)(B) Cancellation of a Special Order

A customer may cancel a Special Order for DA Service on any date prior to the service date. The cancellation date is the date the Telephone Company receives written or verbal notice from the customer that the Special Order is to be cancelled. The verbal notice must be followed by written confirmation within 10 days.

When a customer cancels a Special Order for DA Service after the order date but prior to the start of service, the appropriate charges as set forth in Section 5 preceding apply for the Directory Access Service ordered. In addition, a charge equal to any unrecoverable capital costs incurred by the Telephone Company will apply to the customer.

(C) Changes to Special Orders

When a customer requests changes to a pending order for DA Service, such changes will be undertaken if they can be accommodated by the Telephone Company. Charges as set forth in Section 5 preceding apply for the Directory Access Service changed. In addition a charge equal to any other costs incurred by the Telephone Company because of the change will apply.

(D) Moves

A move involves a change in the physical location of the point of termination at the customer premises or of the customer premises. Moves will be treated as set forth in 6.7.5 preceding and all associated nonrecurring charges will apply. Minimum period requirements will be established at the new location as set forth in 6.7.5 preceding. The customer will also remain responsible for satisfying all outstanding minimum period charges for the disconnected service.

(E) DA Service Rearrangements

Nonrecurring charges apply for service rearrangements. Service rearrangements are as set forth in 6.7.1(C)(3) preceding. The Service Rearrangement Charges are as set forth in 6.7.1(C)(3) for the type of change provided by the Telephone Company.

ISSUE DATE:
February 28, 2011

Issued Under Transmittal No. 1
Vice President-Regulatory Operations
100 CenturyLink Drive
Monroe, Louisiana 71203

EFFECTIVE DATE:
March 1, 2011

ACCESS SERVICE

9. Directory Assistance Service (Cont'd)9.4 Payment Arrangements (Cont'd)(F) Credit Allowance for DA Service

A per call credit equal to the sum of the DA Service usage sensitive rates set forth in 9.6 following (i.e., DA Service Call, and Tandem Switched Transport) will apply in the following situations:

- (1) When the DA location or DA operator equipment or terminals are out of service due to a Telephone Company equipment failure or an incorrect number is provided following customer connection to a Telephone Company DA operator.
- (2) When a DA operator or DA equipment provides an incorrect number for a call and the customer reports such occurrences to the Telephone Company.
- (3) When a DA call is not completed due to the failure of Directory Access service to DA locations, DA access equipment or DA operator activities, a credit allowance for the switched access service portion in the originating LATA of such DA call will apply. When the customer reports such a call and DA number dialed, time of the call and the date of the call, the number of calls for which a credit will apply will be developed by the Telephone Company in cooperation with the customer.

ISSUE DATE:
February 28, 2011

Issued Under Transmittal No. 1
Vice President-Regulatory Operations
100 CenturyLink Drive
Monroe, Louisiana 71203

EFFECTIVE DATE:
March 1, 2011

ACCESS SERVICE

9. Directory Assistance Service (Cont'd)9.5 Rates and Regulations

- (A) The charge for Directory Assistance as set forth in 9.6(A) following applies for each call to DA service. A call is defined as a call which has been answered by or forwarded to a DA operator. The charge applies whether or not the DA operator provides the requested telephone number. The number of calls answered or forwarded to DA operators will be accumulated by Telephone Company measuring equipment. A credit for the provision of an incorrect telephone number will be applied as set forth in 9.4(F) preceding.
- (B) The charge for Directory Access Installation (i.e., Switched Transport Installation) and Direct-Trunked Transport activation charges as set forth in 6.8.2 preceding will apply to each Directory Access Service installed.
- (C) The charges for Directory Transport will be assessed on the same basis as the switched access local transport rate elements set forth in 6.1.2 preceding:
- Entrance Facility
 - Direct-Trunked Transport
 - Tandem Switched Transport
 - Multiplexing

ISSUE DATE:
February 28, 2011

Issued Under Transmittal No. 1
Vice President-Regulatory Operations
100 CenturyLink Drive
Monroe, Louisiana 71203

EFFECTIVE DATE:
March 1, 2011

ACCESS SERVICE

9. Directory Assistance Service (Cont'd)

9.6 Rates and Charges

The rates and charges are:

	<u>Monthly Rate</u>	
(A) <u>Directory Assistance Service</u> Florida	GAR	
Minnesota	GAR	(D) (D)
Nebraska	GAR	(D)
Nevada	ICB	(D)
Oregon	GAR	(D) (D) (D) (D)
Washington	GAR	(D)
Wyoming	GAR	
(B) <u>Directory Transport</u>	See Section 6.8.2. Switched Transport	

Material deleted from this page now appears in Brightspeed Local Operating Companies Tariff F.C.C. NO. 9.

(D)
(D)
(N)
(N)

ISSUE DATE:
September 19, 2022

Issued Under Transmittal No. 125
 Vice President-Regulatory Operations
 100 CenturyLink Drive
 Monroe, Louisiana 71203

EFFECTIVE DATE:
October 4, 2022

ACCESS SERVICE

9. Directory Assistance Service (Cont'd)

9.7 Directory Assistance Service Locations

(A) Directory Assistance Service is provided under the terms and conditions of Section 9 preceding at the following Telephone Company locations:

None

(N)

(D)

**Material deleted from this page now appears in Brightspeed Local Operating Companies
Tariff F.C.C. NO. 9.**

(N)

(N)

ISSUE DATE:
September 19, 2022

Issued Under Transmittal No. 125
Vice President-Regulatory Operations
100 CenturyLink Drive
Monroe, Louisiana 71203

EFFECTIVE DATE:
October 4, 2022

ACCESS SERVICE

10. Special Federal Government Access Services

For Special Access Federal Government Services, only Non-Competitive End-User Channel Terminations (EUCTs) are filed as part of this tariff. Federal Government Services for other Special Access Services to complete the circuit are outside this tariff and can be accessed at the Company's website or Company's other designated location.

(N)
|
(N)10.1 General

This section covers Special Access Services that are provided to a customer for use only by agencies or branches of the Federal Government and other users authorized by the Federal Government. Services provided to state or local emergency operations centers are included. These services provide for command and control communications, including communications for national security, emergency preparedness and presidential requirements. They are required to assure continuity of Government in emergency and crisis situations and to provide for national security.

Services for command and control communications and for national security and emergency preparedness sometimes require short notice and short duration service provisions. These provisions are especially needed to meet presidential requirements or in response to natural, man-made, or declared emergencies. Requirements of this type cannot be forecasted and are usually needed for a relatively short period. The provision of service under these conditions may require the availability of facilities, such as portable microwave equipment, which are provided on a temporary basis by the Telephone Company or customer.

10.2 Emergency Conditions

These services will be provided on the date requested or as soon as possible thereafter when the emergency falls into one of the following categories:

- State of crisis declared by the National Command Authorities (includes commitments made to the National Communications System in the "National Plan for Emergencies and Major Disasters").
- Efforts to protect endangered U.S. personnel or property both in the U.S. and abroad. (Includes space vehicle recovery and protection efforts.)
- Communications requirements resulting from hostile action, a major disaster or a major civil disturbance.

ACCESS SERVICE

10. Special Federal Government Access Services (Cont'd)10.2 Emergency Conditions (Cont'd)

- The director (Cabinet level) of a Federal department, Commander of a Unified/Specified Command, or head of a Military department has certified that a communications requirement is so critical to the protection of life and property or to the National Defense that it must be processed immediately.
- Political unrest in foreign countries which affect the national interest.
- Presidential service.

10.3 Intervals to Provide Service

Services provided under the provisions of this section of the tariff are provided on an individual case basis. Therefore, orders for such service shall be placed under the service date interval provisions set forth in 5.2.1 preceding.

10.4 Safeguarding of Service10.4.1 Facility Availability

In order to insure communications during periods of emergency, the Telephone Company will, within the limits of good management, make available the necessary facilities to restore service in the event of damage or to provide temporary emergency service.

In order to meet the requirements of agencies or branches of the Federal Government, the Telephone Company may utilize government-owned facilities, when necessary, to provide service.

ISSUE DATE:
February 28, 2011

Issued Under Transmittal No. 1
Vice President-Regulatory Operations
100 CenturyLink Drive
Monroe, Louisiana 71203

EFFECTIVE DATE:
March 1, 2011

ACCESS SERVICE

10. Special Federal Government Access Services (Cont'd)10.5 Federal Government Regulations

In accordance with Federal Government Regulations, all service provided to the Federal Government will be billed in arrears. However, this Provision does not apply to other customers that obtain services under the provisions of this tariff to provide their services to the Federal Government.

10.6 Service Offerings to the Federal Government

The following services are provided to a customer for use only by agencies or branches of the Federal Government, other authorized users and state emergency operations centers. The rates and charges for these services shall be developed on an individual case basis and shall be consistent with the rates and charges for services offered in other sections of this tariff.

10.6.1 Type and Description(A) Voice Grade Special Access Services(1) Voice Grade Secure Communications Type I

Approximate bandwidth of 10-50,000 Hertz. Furnished for two-point secure communications on two-wire or four-wire metallic facilities between a customer premises location and an end user's premises. Services are conditioned as follows:

T-3 Conditioning - The absolute loss (referenced to 1 milliwatt) with respect to frequency shall not exceed:

15 dB at 10 Hz
13 dB at 100 Hz
9 dB at 1,000 Hz
20 dB at 10,000 Hz
30 dB at 50,000 Hz

ISSUE DATE:
February 28, 2011

Issued Under Transmittal No. 1
Vice President-Regulatory Operations
100 CenturyLink Drive
Monroe, Louisiana 71203

EFFECTIVE DATE:
March 1, 2011

ACCESS SERVICE

10. Special Federal Government Access Services (Cont'd)10.6 Service Offerings to the Federal Government (Cont'd)10.6.1 Type and Description (Cont'd)(A) Voice Grade Special Access Services (Cont'd)(1) Voice Grade Secure Communications Type I (Cont'd)

Additional conditioning (available in one or two directions on four-wire facilities only) to provide the following characteristics:

The absolute loss (referenced to one milliwatt) with respect to frequency shall not exceed:

0 dB at 1,000 Hz
1 dB between 1,000 Hz and 40,000 Hz
2 dB between 10 Hz and 50,000 Hz
(+ means more loss)

The net loss of the conditioned service (with or without additional conditioning) shall not vary by more than four dB at 1,000 Hz from the levels specified above. Voice frequency signaling or supervisory tones can be transmitted.

(2) Voice Grade Secure Communications Type II

Approximate bandwidth 10-50,000 Hz. Furnished on four-wire metallic facilities for duplex operation for two-point secure communication between a customer premises on an end user's premises and an end user's premises. Services are conditioned as follows:

G-1 Conditioning - The absolute loss with respect to frequency and the net loss variation shall be the same as Voice Grade Secure Communications Type I services without additional conditioning. Voice frequency signaling or supervisory tones can be transmitted.

ISSUE DATE:
February 28, 2011

Issued Under Transmittal No. 1
Vice President-Regulatory Operations
100 CenturyLink Drive
Monroe, Louisiana 71203

EFFECTIVE DATE:
March 1, 2011

ACCESS SERVICE

10. Special Federal Government Access Services (Cont'd)10.6 Service Offerings to the Federal Government (Cont'd)10.6.1 Type and Description (Cont'd)(A) Voice Grade Special Access Services (Cont'd)(3) Voice Grade Secure Communications Type III

Approximate bandwidth 10-50,000 Hz. Furnished on four-wire metallic facilities for duplex operation for two-point secure communication between a customer premises switch and an end user's premises. Services are conditioned as follows:

G-2 Conditioning - The absolute loss with respect to frequency and the net loss variation from the switch to an end user's premises shall be the same as Voice Grade Secure Communications Type I services without additional conditioning; from an end user's premises to the switch shall be the same as Voice Grade Secure Communications Type I services with additional conditioning. Voice frequency signaling or supervisory tones can be transmitted.

(4) Voice Grade Secure Communications Type IV

Approximate bandwidth 10-50,000 Hz. Furnished on four-wire metallic facilities for duplex operation for two-point secure communication between two customer Premises switches. Services are conditioned as follows:

G-3 Conditioning - The absolute loss with respect to frequency and the net loss variation shall be the same in both directions of transmission as Voice Grade Secure Communications Type I services with additional conditioning. Voice frequency signaling or supervisory tones can be transmitted.

ISSUE DATE:
February 28, 2011

Issued Under Transmittal No. 1
Vice President-Regulatory Operations
100 CenturyLink Drive
Monroe, Louisiana 71203

EFFECTIVE DATE:
March 1, 2011

ACCESS SERVICE

10. Special Federal Government Access Services (Cont'd)

10.6 Service Offerings to the Federal Government (Cont'd)

10.6.1 Type and Description (Cont'd)

(B) Special Routing Access Service

Special Routing Access Service is furnished only to AT&T for an agency or branch of the Federal Government. This service provides the customer's end users the ability to originate and terminate calls to or from the customers premises utilizing a Special Routing Plan.

This service is an optional service which operates in conjunction with Trunk Side Premium Access Service furnished to AT&T under other provisions of this tariff.

Rates and Charges for Special Routing Access Service will be provided on an individual case basis.

ISSUE DATE:
February 28, 2011

Issued Under Transmittal No. 1
Vice President-Regulatory Operations
100 CenturyLink Drive
Monroe, Louisiana 71203

EFFECTIVE DATE:
March 1, 2011

ACCESS SERVICE

10. Special Federal Government Access Services (Cont'd)10.6 Service Offerings to the Federal Government (Cont'd)10.6.1 Type and Description (Cont'd)(C) Government Emergency Telecommunications Service (GETS)

- (1) The Government Emergency Telecommunications Service (GETS) is an emergency telecommunications service available to customers designated by an agency or branch of the Federal Government to transport National Security/Emergency Preparedness (NS/EP) originating and terminating access calls over the Public Switched Network (PSN) where technically feasible and only in suitably equipped offices. GETS utilizes a government identified access code which distinguishes the call as a GETS NS/EP emergency call.
- (2) The customer designated by the agency or branch of the Federal Government to provide GETS must have Feature Group C or Feature Group D Switched Access Service to transport the GETS NS/EP access call. A GETS NS/EP access minute will be rated the same as any other access minute set forth in this Tariff.
- (3) Network management service levels, as set forth in 6.5.1 preceding, are applicable to a GETS NS/EP access call.
- (4) GETS NS/EP access minutes to a customer's network not designated to provide GETS will be administered by the Telephone Company the same as any other minute.
- (5) The appropriate agency or branch of the Federal Government is responsible for ordering the government identified access code per end office.

(C)

(C)

Material omitted from this page now appears on 1st Revised Page 10-8.

ISSUE DATE:
June 15, 2012

Issued Under Transmittal No. 20
Vice President-Regulatory Operations
100 CenturyLink Drive
Monroe, Louisiana 71203

EFFECTIVE DATE:
June 30, 2012

ACCESS SERVICE

10. Special Federal Government Access Services (Cont'd)10.6 Service Offerings to the Federal Government (Cont'd)10.6.1 Type and Description (Cont'd)(C) Government Emergency Telecommunications Service (GETS)
(Cont'd)(6) Basic GETS Features(a) High Probability of Completion Feature

GETS High Probability of Completion (HPC) provides GETS users with enhanced routing priority in the public switched network. HPC significantly improves the completion of GETS NS/EP access calls under severe network congestion and damage conditions (e.g., natural disasters, national emergencies, etc).

The HPC feature sets the call priority value and provides the capability to queue the GETS NS/EP access call against a busy switched access trunk group in a route list until a member of that trunk group becomes idle. As soon as a trunk group member becomes idle, it is offered to the queued GETS NS/EP access call before any other calls are processed.

The HPC feature works with switched access trunk groups equipped with SS7 Out of Band Signaling. The HPC feature is available in specified wire centers only as ordered by the agency or branch of the Federal Government to provide GETS.

HPC also includes all Operational Measurement (OM) and Automatic Message Accounting (AMA) reporting as agreed to between the Company and the customer designated by the agency or branch of the Federal Government to provide GETS.

(C)

(C)

Certain material found on this page formerly appeared on Original Page 10-7.

ISSUE DATE:
June 15, 2012

Issued Under Transmittal No. 20
Vice President-Regulatory Operations
100 CenturyLink Drive
Monroe, Louisiana 71203

EFFECTIVE DATE:
June 30, 2012

ACCESS SERVICE

10. Special Federal Government Access Services (Cont'd)

(N)

10.6 Service Offerings to the Federal Government (Cont'd)10.6.1 Type and Description (Cont'd)(C) Government Emergency Telecommunications Service (GETS)
(Cont'd)(7) Basic GETS Features (Cont'd)(b) Expanded High Probability of Completion Feature

Expanded GETS High Probability of Completion (EHPC) enables suitably equipped offices to recognize any 10 digit number with the 710 NPA code (710-XXX-XXXX) and apply the HPC feature.

(c) Office Wide Call/Egress Queuing

GETS Office Wide Call/Egress Queuing provides a greater likelihood that GETS callers will complete their HPC call during periods when the network is congested. When all trunks in a public trunk group are busy, Office Wide Call Queuing enables a call to be placed in queue on any member of the trunk group to wait its turn to be passed on through to network to called destination. When all trunks in a private trunk group (PBX system) are busy, Office Wide Egress Queuing enables a call to be placed in queue until the next trunk is available.

(d) Trunk Group Queuing

Trunk Group Queuing allows queuing of HPC calls to specific trunk group. Only those calls marked as HPC can be added to the queue.

(N)

ACCESS SERVICE

10. Special Federal Government Access Services (Cont'd)

(N)

10.6 Service Offerings to the Federal Government (Cont'd)10.6.1 Type and Description (Cont'd)(C) Government Emergency Telecommunications Service (GETS)
(Cont'd)(7) Basic GETS Features (Cont'd)(e) Calling Party Number

Calling Party Number (CPN) is a network feature that passes the government identified access code information as the calling party on a NS/EP originating call detail record instead of the actual calling party number using FGD type signaling where technically feasible. NS/EP calls originating at switching offices not equipped with CPN will be processed with the actual calling party number. The government identified access code is determined by the agency or branch of the Federal Government responsible for GETS.

(f) Rate Application

The nonrecurring charges and monthly rates for the Basic GETS Features are described following:

- The GETS nonrecurring charge and monthly rate is for the activation and maintenance of the translation requirements for each Telephone Company end office switch and/or access tandem.
- The GETS Change Charge is a nonrecurring charge to change the feature on a per switch, per occurrence basis. This charge applies to any configuration changes within the switches.

The rates and charges are set forth in 10.6.3(B) following.

(N)

ISSUE DATE:
June 15, 2012

Issued Under Transmittal No. 20
Vice President-Regulatory Operations
100 CenturyLink Drive
Monroe, Louisiana 71203

EFFECTIVE DATE:
June 30, 2012

ACCESS SERVICE

10. Special Federal Government Access Services (Cont'd)

(N)

10.6 Service Offerings to the Federal Government (Cont'd)10.6.1 Type and Description (Cont'd)(C) Government Emergency Telecommunications Service (GETS)
(Cont'd)(8) GETS Alternate Carrier Routing Feature

Alternate Carrier Routing (ACR) is an advanced network feature that provides alternate routing of a NS/EP call in the originating direction to a GETS customer using FGD type signaling, where technically feasible. The NS/EP call is first routed to the presubscribed customer of the originating line, when the presubscribed customer is a participating GETS customer. When the NS/EP call cannot be successfully routed, attempts will be made to route the call to alternate GETS customers. The sequential order in which the NS/EP call is routed is preselected on a per switching office basis by the agency or branch of the Federal Government responsible for GETS.

The ACR Activation or ACR Deactivation charge is for the translation requirements of the ACR feature, per switching office. The ACR monthly rate is for the analysis required to determine the preselected alternate route when a NS/EP call occurs. All ACR rates and charges, set forth in 10.6.3(B) following, are billed to the appropriate agency or branch of the Federal Government responsible for GETS or its authorized representative.

(N)

ISSUE DATE:
June 15, 2012

Issued Under Transmittal No. 20
Vice President-Regulatory Operations
100 CenturyLink Drive
Monroe, Louisiana 71203

EFFECTIVE DATE:
June 30, 2012

ACCESS SERVICE

10. Special Federal Government Access Services (Cont'd)

(N)

10.6 Service Offerings to the Federal Government (Cont'd)10.6.1 Type and Description (Cont'd)(C) Government Emergency Telecommunications Service (GETS)
(Cont'd)(9) GETS Enhanced Alternate Carrier Routing Feature

Enhanced Alternate Carrier Routing (EACR) enables suitably equipped office to recognize any 10 digit number with the 710 NPA code (710-XXX-XXXX) and apply the HPC feature. When EACR is activated within a switch, ACR is included with the service/feature.

The EACR Activation charge recovers for the translation requirements of the EACR feature, per switching office. There is an incremental nonrecurring charge for EACR that applies only to the DMS 100/200 switches. The EACR monthly rate is for the analysis required to determine the preselected alternate route when a NS/EP call occurs and is applied per switching office. The ACR monthly rate is included with the EACR monthly rate. All EACR rates and charges, set forth in 10.6.3(B) following, are billed to the appropriate agency or branch of the Federal Government responsible for GETS or its authorized representative.

(N)

ISSUE DATE:
June 15, 2012

Issued Under Transmittal No. 20
Vice President-Regulatory Operations
100 CenturyLink Drive
Monroe, Louisiana 71203

EFFECTIVE DATE:
June 30, 2012

ACCESS SERVICE

10. Special Federal Government Access Services (Cont'd)

(N)

10.6 Service Offerings to the Federal Government (Cont'd)10.6.1 Type and Description (Cont'd)(C) Government Emergency Telecommunications Service (GETS)
(Cont'd)(10) Network Service Verification Test

The Network Service Verification Test (NSVT) is a service verification test that can be required by the appropriate agency or branch of the Federal Government responsible for GETS, or its authorized representative. The NSVT shall be conducted according to a mutually agreed upon set of test cases. The test can be witnessed by the Federal Government or its representative and shall apply to one switch per test.

The NSVT charge is a one time nonrecurring charge that will apply to every test ordered. The NSVT charges, set forth in 10.6.3(B) following, are billed to the appropriate agency or branch of the Federal Government responsible for GETS or its authorized representative.

(11) GETS Service Verification Baseline

The GETS Service Verification Baseline charge is a one time nonrecurring charge that will apply to every baseline ordered, however, it will be provided at least annually by March 31st. The baseline shall consist of Network and Switch information, GETS configuration report and provisioning procedure for every switch in the network that is GETS enable. The GETS Service Verification Baseline charge, set forth in 10.6.3(B) following, is billed to the appropriate agency or branch of the Federal Government responsible for GETS or its authorized representative.

(12) ACR/EACR Deployment Charge

The ACR/EACR Deployment Charge is a one time nonrecurring charge that applies only if these features are required to be deployed. This charge applies only once when these features are initially deployed in the network. The ACR/EACR Deployment Charge, set forth in 10.6.3(B) following, is ordered by and billed to the appropriate agency or branch of the Federal Government responsible for GETS or its authorized representative.

(N)

ISSUE DATE:
June 15, 2012

Issued Under Transmittal No. 20
Vice President-Regulatory Operations
100 CenturyLink Drive
Monroe, Louisiana 71203

EFFECTIVE DATE:
June 30, 2012

ACCESS SERVICE

10. Special Federal Government Access Services (Cont'd)

10.6 Service Offerings to the Federal Government (Cont'd)

10.6.2 Mileage Application

Mileage, when used for rate application between two customer premises, shall be determined by the V and H Coordinates Method as set forth in National Exchange Carrier Association, Inc. Tariff F.C.C. No. 4 and administered as set forth in 7.4.6 preceding.

10.6.3 Rates and Charges

(A) Voice Grade Special Access Service

The provision of T-3 and G conditioned services contemplates station and tandem switching operations, using customer provided equipment, as well as Special Access Service. Voice grade services, where required by the customer provided equipment or switching operation, are furnished in accordance with the applicable sections of this tariff.

ISSUE DATE:
February 28, 2011

Issued Under Transmittal No. 1
Vice President-Regulatory Operations
100 CenturyLink Drive
Monroe, Louisiana 71203

EFFECTIVE DATE:
March 1, 2011

ACCESS SERVICE

10. Special Federal Government Access Services (Cont'd)

10.6 Service Offerings to the Federal Government (Cont'd)

10.6.3 Rates and Charges (Cont'd)

(A) Voice Grade Special Access Service (Cont'd)

Voice Grade Secure Communications
 Type I, each T-3 Conditioning

	<u>Monthly Rates</u>	<u>Nonrecurring Charges</u>	<u>Termination Charges</u>	
Florida	GAR	GAR	GAR	(D)
				(D)
Minnesota	GAR	GAR	GAR	(D)
Nebraska	GAR	GAR	GAR	
Nevada	ICB	ICB	ICB	(D)
				(D)
Oregon	GAR	GAR	GAR	(D)
				(D)
Washington	GAR	GAR	GAR	
Wyoming	GAR	GAR	GAR	
				(D)
				(N)
				(N)

Material deleted from this page now appears in Brightspeed Local Operating Companies Tariff F.C.C. NO. 9.

ISSUE DATE:
 September 19, 2022

Issued Under Transmittal No. 125
 Vice President-Regulatory Operations
 100 CenturyLink Drive
 Monroe, Louisiana 71203

EFFECTIVE DATE:
 October 4, 2022

ACCESS SERVICE

10. Special Federal Government Access Services (Cont'd)

10.6 Service Offerings to the Federal Government (Cont'd)

10.6.3 Rates and Charges (Cont'd)

(A) Voice Grade Special Access Service (Cont'd)

Voice Grade Secure Communications
 Add'l Conditioning, per channel termination

	Monthly <u>Rates</u>	Nonrecurring <u>Charges</u>	Termination <u>Charges</u>	
Florida	GAR	GAR	GAR	(D)
				(D)
Minnesota	GAR	GAR	GAR	(D)
Nebraska	GAR	GAR	GAR	
Nevada	ICB	ICB	ICB	(D)
				(D)
Oregon	GAR	GAR	GAR	(D)
				(D)
Washington	GAR	GAR	GAR	
Wyoming	GAR	GAR	GAR	
				(D)
				(N)
				(N)

Material deleted from this page now appears in Brightspeed Local Operating Companies Tariff F.C.C. NO. 9.

ISSUE DATE:
 September 19, 2022

Issued Under Transmittal No. 125
 Vice President-Regulatory Operations
 100 CenturyLink Drive
 Monroe, Louisiana 71203

EFFECTIVE DATE:
 October 4, 2022

ACCESS SERVICE

10. Special Federal Government Access Services (Cont'd)

10.6 Service Offerings to the Federal Government (Cont'd)

10.6.3 Rates and Charges (Cont'd)

(A) Voice Grade Special Access Service (Cont'd)

Voice Grade Secure Communications
 Type II, each G-1 Conditioning

	Monthly <u>Rates</u>	Nonrecurring <u>Charges</u>	Termination <u>Charges</u>	
Florida	GAR	GAR	GAR	(D)
				(D)
Minnesota	GAR	GAR	GAR	(D)
Nebraska	GAR	GAR	GAR	
Nevada	ICB	ICB	ICB	(D)
				(D)
Oregon	GAR	GAR	GAR	(D)
				(D)
Washington	GAR	GAR	GAR	(D)
Wyoming	GAR	GAR	GAR	

Material deleted from this page now appears in Brightspeed Local Operating Companies Tariff F.C.C. NO. 9.

(N)
(N)

ISSUE DATE:
 September 19, 2022

Issued Under Transmittal No. 125
 Vice President-Regulatory Operations
 100 CenturyLink Drive
 Monroe, Louisiana 71203

EFFECTIVE DATE:
 October 4, 2022

ACCESS SERVICE

10. Special Federal Government Access Services (Cont'd)

10.6 Service Offerings to the Federal Government (Cont'd)

10.6.3 Rates and Charges (Cont'd)

(A) Voice Grade Special Access Service (Cont'd)

Voice Grade Secure Communications
 Type III, each G-2 Conditioning

	Monthly <u>Rates</u>	Nonrecurring <u>Charges</u>	Termination <u>Charges</u>	
Florida	GAR	GAR	GAR	(D)
				(D)
Minnesota	GAR	GAR	GAR	(D)
Nebraska	GAR	GAR	GAR	
Nevada	ICB	ICB	ICB	(D)
				(D)
Oregon	GAR	GAR	GAR	(D)
				(D)
Washington	GAR	GAR	GAR	(D)
Wyoming	GAR	GAR	GAR	

Material deleted from this page now appears in Brightspeed Local Operating Companies Tariff F.C.C. NO. 9.

(N)
(N)

ISSUE DATE:
 September 19, 2022

Issued Under Transmittal No. 125
 Vice President-Regulatory Operations
 100 CenturyLink Drive
 Monroe, Louisiana 71203

EFFECTIVE DATE:
 October 4, 2022

ACCESS SERVICE

10. Special Federal Government Access Services (Cont'd)

10.6 Service Offerings to the Federal Government (Cont'd)

10.6.3 Rates and Charges (Cont'd)

(A) Voice Grade Special Access Service (Cont'd)

Voice Grade Secure Communications
 Add'l conditioning, per channel termination

	Monthly <u>Rates</u>	Nonrecurring <u>Charges</u>	Termination <u>Charges</u>	
Florida	GAR	GAR	GAR	(D)
				(D)
Minnesota	GAR	GAR	GAR	(D)
Nebraska	GAR	GAR	GAR	
Nevada	ICB	ICB	ICB	(D)
				(D)
Oregon	GAR	GAR	GAR	(D)
				(D)
Washington	GAR	GAR	GAR	
Wyoming	GAR	GAR	GAR	
				(D)

Material deleted from this page now appears in Brightspeed Local Operating Companies Tariff F.C.C. NO. 9. (N)
 (N)

ISSUE DATE:
 September 19, 2022

Issued Under Transmittal No. 125
 Vice President-Regulatory Operations
 100 CenturyLink Drive
 Monroe, Louisiana 71203

EFFECTIVE DATE:
 October 4, 2022

ACCESS SERVICE

10. Special Federal Government Access Services (Cont'd)

10.6 Service Offerings to the Federal Government (Cont'd)

10.6.3 Rates and Charges (Cont'd)

(A) Voice Grade Special Access Service (Cont'd)

Voice Grade Secure Communications
 Type IV, each G-3 Conditioning

	Monthly <u>Rates</u>	Nonrecurring <u>Charges</u>	Termination <u>Charges</u>	
Florida	GAR	GAR	GAR	(D)
				(D)
Minnesota	GAR	GAR	GAR	(D)
Nebraska	GAR	GAR	GAR	
Nevada	ICB	ICB	ICB	(D)
				(D)
Oregon	GAR	GAR	GAR	(D)
				(D)
Washington	GAR	GAR	GAR	
Wyoming	GAR	GAR	GAR	(D)

Material deleted from this page now appears in Brightspeed Local Operating Companies Tariff F.C.C. NO. 9.

(N)
(N)

ISSUE DATE:
 September 19, 2022

Issued Under Transmittal No. 125
 Vice President-Regulatory Operations
 100 CenturyLink Drive
 Monroe, Louisiana 71203

EFFECTIVE DATE:
 October 4, 2022

ACCESS SERVICE

10. Special Federal Government Access Services (Cont'd)

10.6 Service Offerings to the Federal Government (Cont'd)

10.6.3 Rates and Charges (Cont'd)

(A) Voice Grade Special Access Service (Cont'd)

Voice Grade Secure Communications
 Add'l conditioning, per channel termination

	Monthly <u>Rates</u>	Nonrecurring <u>Charges</u>	Termination <u>Charges</u>	
Florida	GAR	GAR	GAR	(D)
				(D)
Minnesota	GAR	GAR	GAR	(D)
Nebraska	GAR	GAR	GAR	
Nevada	ICB	ICB	ICB	(D)
				—
Virginia	GAR	GAR	GAR	(D)
Washington	GAR	GAR	GAR	
Wyoming	GAR	GAR	GAR	

Material deleted from this page now appears in Brightspeed Local Operating Companies Tariff F.C.C. NO. 9. (N)
 (N)

ISSUE DATE:
 September 19, 2022

Issued Under Transmittal No. 125
 Vice President-Regulatory Operations
 100 CenturyLink Drive
 Monroe, Louisiana 71203

EFFECTIVE DATE:
 October 4, 2022

ACCESS SERVICE

10. Special Federal Government Access Services (Cont'd)

10.6 Service Offerings to the Federal Government (Cont'd)

10.6.3 Rates and Charges (Cont'd)

(B) Government Emergency Telecommunications Service (GETS)

		Nonrecurring Charge	Monthly Rate	
(1)	GETS Basic Services (includes all services in 10.6.1(C)(8), where technically feasible and available)	\$1200.00	\$57.00	(D)
(2)	GETS Basic Service Change Charge - per switch, per occurrence	\$125.00	N/A	(D)
(3)	GETS Alternate Carrier Routing - per switch	\$450.00	\$4.00	(C)
(4)	GETS Enhance Altn Carrier Routing - per switch	\$450.00	\$8.00	(N)
(5)	GETS Enhance Altn Carrier Routing - per DMS 100/200 switch	\$600.00	N/A	(N)
(6)	GETS Network Service Verification - per switch	\$625.00	N/A	(N)
(7)	GETS Service Verification Baseline	\$85,000.00	N/A	(N)
(8)	ACR/EACR Deployment Charge	\$21,600.00	N/A	(N)

ACCESS SERVICE

10. Special Federal Government Access Services (Cont'd)10.6 Service Offerings to the Federal Government (Cont'd)10.6.3 Rates and Charges (Cont'd)(C) Move Charges

- (1) When service without a maximum termination liability charge associated with it, as set forth in (A) preceding, is moved to a different building, the nonrecurring charge applies; when moved to a new location in the same building, a charge of one-half the nonrecurring charge applies.
- (2) When service with a maximum termination liability charge associated with it, as set forth in (A) preceding, is moved and is reinstalled at a new location, the customer may elect:
 - to pay the unexpired portion of the maximum termination liability charge for the service, if any, with the application of a nonrecurring charge and the establishment of a new maximum termination liability for such service at the new location, or
 - to continue service subject to the unexpired portion of the maximum termination liability, if any, and pay the estimated costs of moving such service, provided that the customer requests these charges be quoted prior to ordering the service move. Charges for moving such service will be based on estimated costs attributable to the move.

ISSUE DATE:
February 28, 2011

Issued Under Transmittal No. 1
Vice President-Regulatory Operations
100 CenturyLink Drive
Monroe, Louisiana 71203

EFFECTIVE DATE:
March 1, 2011

ACCESS SERVICE

10. Special Federal Government Access Services (Cont'd)

10.6 Service Offerings to the Federal Government (Cont'd)

10.6.3 Rates and Charges (Cont'd)

(C) Move Charges (Cont'd)

Move charges include the estimated costs of removal, restoration of services or facilities necessitated by the move, transportation, storage, reinstallation, engineering, labor, supervision, materials, administration, and any other specific items of cost directly attributable to the move.

ISSUE DATE:
February 28, 2011

Issued Under Transmittal No. 1
Vice President-Regulatory Operations
100 CenturyLink Drive
Monroe, Louisiana 71203

EFFECTIVE DATE:
March 1, 2011

ACCESS SERVICE

11. Special Facilities Routing of Access Services11.1 Description of Special Facilities Routing of Access Services

The services provided under this tariff are provided over such routes and facilities as the Telephone Company may elect. Special Facilities Routing is involved when, in order to comply with requirements specified by the customer, the Telephone Company provides Switched Access Service, Special Access Service or Special Federal Government Access Service in a manner which includes one or more of the following conditions:

11.1.1 Diversity

Two or more services must be provided over not more than two different physical routes.

11.1.2 Avoidance

A service must be provided on a route which avoids specified geographical locations.

11.1.3 Cable-Only Facilities

Certain Voice Grade services are provided on Cable-Only Facilities to meet the particular needs of a customer.

Service is provided subject to the availability of Cable-Only facilities. In the event of service failure, restoration will be made through the use of any available facilities as selected by the Telephone Company.

Avoidance and Diversity are available on Switched Access Service as set forth in Section 6 preceding, Special Access Services as set forth in Section 7 preceding and Special Federal Government Access Services as set forth in 10.6 preceding. Cable-Only Facilities are available with Switched Access Service as set forth in Section 6 preceding, Voice Grade Special Access Services as set forth in 7.2.2 preceding, and Special Federal Government Access Services as set forth in 10.6 preceding.

ISSUE DATE:
February 28, 2011

Issued Under Transmittal No. 1
Vice President-Regulatory Operations
100 CenturyLink Drive
Monroe, Louisiana 71203

EFFECTIVE DATE:
March 1, 2011

ACCESS SERVICE

11. Special Facilities Routing of Access Services (Cont'd)11.1 Description of Special Facilities Routing of Access Services (Cont'd)

In order to avoid the compromise of special routing information, the Telephone Company will provide the required routing information for each specially routed service to only the ordering customer. If requested by the customer, this information will be provided when service is installed and prior to any subsequent changes in routing.

The offering of Special Facilities Routing of Access Services contemplates the use of existing facilities. Should facilities not be available, it may be necessary to construct such facilities, either as (1) normal or (2) Special Construction. If Special Construction is involved, the regulations, as set in Section 14, following apply. However, the applicable rates and charges shall be filed in this section of this tariff, not the Special Construction section. In either case of (1) or (2) preceding, the rates and charges for administration and any other specific items of cost directly attributable to the provision of this service shall be filed in this section also.

The rates and charges for Special Facilities Routing of Access Services as set forth in 11.2 following are in addition to all other rates and charges that may be applicable for services provided under other sections of this tariff.

11.2 Rates and Charges for Special Facilities Routing of Access Service

The rates and charges for Special Facilities Routing of Access Services are as follows:

11.2.1 Diversity

For each service provided in accordance with 11.1.1 preceding, the rates and charges will be developed on an individual case basis.

ISSUE DATE:
February 28, 2011

Issued Under Transmittal No. 1
Vice President-Regulatory Operations
100 CenturyLink Drive
Monroe, Louisiana 71203

EFFECTIVE DATE:
March 1, 2011

ACCESS SERVICE

11. Special Facilities Routing of Access Services (Cont'd)

11.2 Rates and Charges for Special Facilities Routing of Access Service (Cont'd)

11.2.2 Avoidance

For each service provided in accordance with 11.1.2 preceding, the rates and charges will be developed on an individual case basis.

11.2.3 Diversity and Avoidance Combined

For each service provided in accordance with 11.1.1 and 11.1.2 preceding, combined, the rates and charges will be developed on an individual case basis.

11.2.4 Cable-Only Facilities

For each service provided in accordance with 11.1.3 preceding, the rates and charges will be developed on an individual case basis.

ISSUE DATE:
February 28, 2011

Issued Under Transmittal No. 1
Vice President-Regulatory Operations
100 CenturyLink Drive
Monroe, Louisiana 71203

EFFECTIVE DATE:
March 1, 2011

ACCESS SERVICE

11. Special Facilities Routing of Access Services (Cont'd)

11.2 Rates and Charges for Special Facilities Routing of Access Service (Cont'd)

11.2.5 Individual Case Basis (ICB) Filings

Florida

Customer

Description

AT&T Communications
NAPC – Access Manager
Caller Service 6908
Alpharetta, GA
30202-0000

Provide diverse routed OC12 facilities between the Maitland and Winter Park meet points and the customer's designated premises at 1950 Summit Boulevard, Maitland, Florida.

Monthly Recurring Charge: \$8,155.00

Termination Liability:

The minimum service period is 6 months. If the customer disconnects service prior to the end of the 6th month, termination liability charges equal to 100% of the remaining monthly payments for the 6 month term will apply.

USOC

FL004

ISSUE DATE:
February 28, 2011

Issued Under Transmittal No. 1
Vice President-Regulatory Operations
100 CenturyLink Drive
Monroe, Louisiana 71203

EFFECTIVE DATE:
March 1, 2011

ACCESS SERVICE

11. Special Facilities Routing of Access Services (Cont'd)

11.2 Rates and Charges for Special Facilities Routing of Access Service (Cont'd)

11.2.5 Individual Case Basis (ICB) Filings

This page is reserved for future use.

(N)

(D)

(D)

**Material deleted from this page now appears in Brightspeed Local Operating Companies
Tariff F.C.C. NO. 9.**

(N)

(N)

ISSUE DATE:
September 19, 2022

Issued Under Transmittal No. 125
Vice President-Regulatory Operations
100 CenturyLink Drive
Monroe, Louisiana 71203

EFFECTIVE DATE:
October 4, 2022

ACCESS SERVICE

11. Special Facilities Routing of Access Services (Cont'd)

11.2 Rates and Charges for Special Facilities Routing of Access Service (Cont'd)

11.2.5 Individual Case Basis (ICB) Filings

This page is reserved for future use.

(N)

(D)

(D)

**Material deleted from this page now appears in Brightspeed Local Operating Companies
Tariff F.C.C. NO. 9.**

(N)

(N)

ISSUE DATE:
September 19, 2022

Issued Under Transmittal No. 125
Vice President-Regulatory Operations
100 CenturyLink Drive
Monroe, Louisiana 71203

EFFECTIVE DATE:
October 4, 2022

ACCESS SERVICE

11. Special Facilities Routing of Access Services (Cont'd)11.2 Rates and Charges for Special Facilities Routing of Access Service (Cont'd)11.2.5 Individual Case Basis (ICB) FilingsMinnesotaCustomerDescription

AT&T Communications
 Access Manager
 AT&T Caller Service
 Alpharetta, Georgia 30005
 ICB # 2001-WO-4QXRNS

Provide diverse routed OC48 facilities between the Osseo central office located at 108 Second Street, Osseo, Minnesota and the customer's designated premises located at 7611 Northland Drive, Brooklyn Park, Minnesota.

Monthly Recurring Charge: \$24,717.96

Termination Liability:

The minimum service period is 36 months. If the customer disconnects service prior to the end of the 36th month, termination liability charges equal to 100% of the remaining monthly payments for the 36 month term will apply.

USOC

MN043

ISSUE DATE:
 February 28, 2011

Issued Under Transmittal No. 1
 Vice President-Regulatory Operations
 100 CenturyLink Drive
 Monroe, Louisiana 71203

EFFECTIVE DATE:
 March 1, 2011

ACCESS SERVICE

11. Special Facilities Routing of Access Services (Cont'd)11.2 Rates and Charges for Special Facilities Routing of Access Service (Cont'd)11.2.5 Individual Case Basis (ICB) Filings (Cont'd)Nevada

<u>Customer</u>	<u>Description</u>	<u>Monthly Rate</u>
MCI	Provide two (2) High Capacity DS1 (1.544 Mbps) circuits from the POP at 4187 East Sahara, through an alternate serving central office (LSVGNVXG) to the F.A.A. tower located at McCarran Airport, 699 Wright Bros. Lane, Las Vegas, Nevada, for the purpose of route diversity. The end user's normal serving central office is LSVG NVXL73H.	
	One Channel Termination, per circuit	\$455.00
	<u>USOC</u>	NV004

ISSUE DATE:
February 28, 2011

Issued Under Transmittal No. 1
Vice President-Regulatory Operations
100 CenturyLink Drive
Monroe, Louisiana 71203

EFFECTIVE DATE:
March 1, 2011

ACCESS SERVICE

11. Special Facilities Routing of Access Services (Cont'd)11.2 Rates and Charges for Special Facilities Routing of Access Service (Cont'd)11.2.5 Individual Case Basis (ICB) Filings (Cont'd)Nevada (Cont'd)

<u>Customer</u>	<u>Description</u>	<u>Monthly Rate</u>
AT&T	Provide a second diverse loop between American Airlines located at 5757 Wayne Newton Blvd. and the POP location at 125 Las Vegas Blvd. South via LSVGNVXL73H. The normal serving central office is LSVGNVXG73C.	\$124.00
	<u>USOC</u>	NV008

ISSUE DATE:
February 28, 2011

Issued Under Transmittal No. 1
Vice President-Regulatory Operations
100 CenturyLink Drive
Monroe, Louisiana 71203

EFFECTIVE DATE:
March 1, 2011

ACCESS SERVICE

11. Special Facilities Routing of Access Services (Cont'd)

11.2 Rates and Charges for Special Facilities Routing of Access Service (Cont'd)

11.2.5 Individual Case Basis (ICB) Filings (Cont'd)

This page is reserved for future use.

(N)

(D)

(D)

**Material deleted from this page now appears in Brightspeed Local Operating Companies
Tariff F.C.C. NO. 9.**

(N)

(N)

ISSUE DATE:
September 19, 2022

Issued Under Transmittal No. 125
Vice President-Regulatory Operations
100 CenturyLink Drive
Monroe, Louisiana 71203

EFFECTIVE DATE:
October 4, 2022

ACCESS SERVICE

11. Special Facilities Routing of Access Services (Cont'd)

11.2 Rates and Charges for Special Facilities Routing of Access Service (Cont'd)

11.2.5 Individual Case Basis (ICB) Filings (Cont'd)

This page is reserved for future use.

(N)

(D)

(D)

**Material deleted from this page now appears in Brightspeed Local Operating Companies
Tariff F.C.C. NO. 9.**

(N)

(N)

ISSUE DATE:
September 19, 2022

Issued Under Transmittal No. 125
Vice President-Regulatory Operations
100 CenturyLink Drive
Monroe, Louisiana 71203

EFFECTIVE DATE:
October 4, 2022

ACCESS SERVICE

11. Special Facilities Routing of Access Services (Cont'd)

11.2 Rates and Charges for Special Facilities Routing of Access Service (Cont'd)

11.2.5 Individual Case Basis (ICB) Filings (Cont'd)

This page is reserved for future use.

(N)

(D)

(D)

**Material deleted from this page now appears in Brightspeed Local Operating Companies
Tariff F.C.C. NO. 9.**

(N)

(N)

ISSUE DATE:
September 19, 2022

Issued Under Transmittal No. 125
Vice President-Regulatory Operations
100 CenturyLink Drive
Monroe, Louisiana 71203

EFFECTIVE DATE:
October 4, 2022

ACCESS SERVICE

11. Special Facilities Routing of Access Services (Cont'd)

11.2 Rates and Charges for Special Facilities Routing of Access Service (Cont'd)

11.2.5 Individual Case Basis (ICB) Filings

This page is reserved for future use.

(N)

(D)

(D)

**Material deleted from this page now appears in Brightspeed Local Operating Companies
Tariff F.C.C. NO. 9.**

(N)

(N)

ISSUE DATE:
September 19, 2022

Issued Under Transmittal No. 125
Vice President-Regulatory Operations
100 CenturyLink Drive
Monroe, Louisiana 71203

EFFECTIVE DATE:
October 4, 2022

ACCESS SERVICE

11. Special Facilities Routing of Access Services (Cont'd)

11.2 Rates and Charges for Special Facilities Routing of Access Service (Cont'd)

11.2.5 Individual Case Basis (ICB) Filings (Cont'd)

This page is reserved for future use.

(N)

(D)

(D)

(N)

(N)

ISSUE DATE:
September 19, 2022

Issued Under Transmittal No. 125
Vice President-Regulatory Operations
100 CenturyLink Drive
Monroe, Louisiana 71203

EFFECTIVE DATE:
October 4, 2022

ACCESS SERVICE

11. Special Facilities Routing of Access Services (Cont'd)

11.2 Rates and Charges for Special Facilities Routing of Access Service (Cont'd)

11.2.5 Individual Case Basis (ICB) Filings (Cont'd)

This page is reserved for future use.

(N)

(D)

(D)

**Material deleted from this page now appears in Brightspeed Local Operating Companies
Tariff F.C.C. NO. 9.**

(N)

(N)

ISSUE DATE:
September 19, 2022

Issued Under Transmittal No. 125
Vice President-Regulatory Operations
100 CenturyLink Drive
Monroe, Louisiana 71203

EFFECTIVE DATE:
October 4, 2022

ACCESS SERVICE

11. Special Facilities Routing of Access Services (Cont'd)11.2 Rates and Charges for Special Facilities Routing of Access Service (Cont'd)11.2.5 Individual Case Basis (ICB) Filings (Cont'd)Washington

<u>Customer</u>	<u>Description</u>
Harris Corporation 1 Stacker Mountain Dallesport, Washington 98617 ICB #'s 2006-WO-6N3MRP and 2005-WO-6HSS2L	Special construction charges for the installation of 150 feet of 50 pair copper cable and specialized equipment to provide a DS1 diverse route facility between the Telephone Company's central office located at 200 Main Street, Wishram, Washington and the customer's designated premises located at 1 Stacker Mountain, Dallesport, Washington.

Nonrecurring Charge: Copper Cable and Taxes and Maintenance	\$28,983.00
---	-------------

<u>USOC</u>	WA036
-------------	-------

Nonrecurring Charge: Specialized Equipment	\$53,128.00
---	-------------

<u>USOC</u>	WA037
-------------	-------

The rates listed above are in addition to the regular, general tariffed recurring DS1 rates as found in Section 7.5.8.

ISSUE DATE:
February 28, 2011

Issued Under Transmittal No. 1
Vice President-Regulatory Operations
100 CenturyLink Drive
Monroe, Louisiana 71203

EFFECTIVE DATE:
March 1, 2011

ACCESS SERVICE

12. Specialized Services or Arrangements12.1 General

Specialized Services or Arrangements may be provided by the Telephone Company, at the request of a customer, on an individual case basis if such service or arrangements meet the following criteria:

- (A) The requested service or arrangements are not offered under other sections of this tariff.
- (B) The facilities utilized to provide the requested service or arrangements are of a type normally used by the Telephone Company in furnishing its other services.
- (C) The requested service or arrangements are provided within a LATA.
- (D) The requested service or arrangements are compatible with other Telephone Company services, facilities, and its engineering and maintenance practices.
- (E) This offering is subject to the availability of the necessary Telephone Company personnel and capital resources.

12.2 Move Charges

- (A) When service without a maximum termination liability charge associated with it is moved to a different building, the nonrecurring charge applies; when moved to a new location in the same building, a charge of one-half the nonrecurring charge applies.

ISSUE DATE:
February 28, 2011

Issued Under Transmittal No. 1
Vice President-Regulatory Operations
100 CenturyLink Drive
Monroe, Louisiana 71203

EFFECTIVE DATE:
March 1, 2011

ACCESS SERVICE

12. Specialized Services or Arrangements (Cont'd)12.2 Move Charges (Cont'd)

- (B) When service with a maximum termination liability charge associated with it is moved and is reinstalled at a new location, the customer may elect:
- to pay the unexpired portion of the maximum termination liability charge for the service, if any, with the application of a nonrecurring charge and the establishment of a new maximum termination liability charge for such service at the new location, or
 - to continue service subject to the unexpired portion of the maximum termination liability charge, if any, and pay the estimated costs of moving such service, provided that the customer requests these charges be quoted prior to ordering the service move. Charges for moving such service will be based on estimated costs attributable to the move.

Move charges include the estimated costs of removal, restoration of services or facilities necessitated by the move, transportation, storage, reinstallation, engineering, labor, supervision, materials, administration, and any other specific items of cost directly attributable to the move.

12.3 Rates and Charges

Rates and charges, and additional regulations if applicable, for specialized service or arrangements provided on an individual case basis are filed following:

ISSUE DATE:
February 28, 2011

Issued Under Transmittal No. 1
Vice President-Regulatory Operations
100 CenturyLink Drive
Monroe, Louisiana 71203

EFFECTIVE DATE:
March 1, 2011

ACCESS SERVICE

13. Additional Labor and Miscellaneous Services

In this Section, Basic Time refers to the period when services are performed by the Company on business days during regularly scheduled work hours. Overtime refers to the period when services are performed by the Company on business days but outside of regularly scheduled work hours. Premium time refers to the period when services are performed by the Company on non-business days, such as weekends and holidays.

The rates and charges in this section apply to all customers served by the Company, except for customers ordering additional labor, additional testing, access service billing information and Telecommunications Service Priority (TSP) System services associated with switched dedicated and special access services provided in the pricing flexibility Metropolitan Statistical Areas (MSAs) listed in Section 23.3 following. The rates and charges for customers ordering these services in the pricing flexibility MSAs are set forth in Section 23.4 following.

13.1 Additional Labor

For Special Access Additional Labor, only Non-Competitive End-User Channel Terminations (EUCTs) are filed as part of this tariff. Additional Labor for other Special Access Services to complete the circuit are outside this tariff and can be accessed at the Company's website or Company's other designated location.

Additional labor is that labor requested by the customer on a given service and agreed to by the Company as set forth in 13.1.2 through 13.1.7 following. The Company will notify the customer that additional labor charges as set forth in 13.1.8 following will apply before any additional labor is undertaken.

13.1.1 Engineering

For Special Access Engineering, only Non-Competitive EUCTs are filed as part of this tariff. Engineering for other Special Access Services to complete the circuit are outside this tariff and can be accessed at the Company's website or Company's other designated location.

Additional Engineering will be provided by the Company at the request of the customer only when:

- (A) A customer requests additional technical information after the Company has already provided the technical information normally included on the Design Layout Report (DLR) as set forth in 6.1.4 and 7.1.6 preceding.
- (B) Additional engineering time is incurred by the Company to engineer a customer's request for a customized service as set forth in 7.2 preceding.
- (C) A customer requests a design change, and additional engineering time is incurred by the Company for the engineering review as set forth in 5.2.3(C). The charge for additional engineering will apply whether or not the customer authorizes the Company to proceed with the design change.

ACCESS SERVICE

13. Additional Labor and Miscellaneous Services (Cont'd)13.1 Additional Labor (Cont'd)13.1.1 Engineering (Cont'd)

The Telephone Company will notify the customer that additional labor charges, as set forth in 13.2 following, will apply before any additional engineering is undertaken.

13.1.2 Overtime Installation

Overtime installation is that Telephone Company installation effort performed outside of the Telephone Company's normally scheduled business day.

13.1.3 Overtime Repair

Overtime repair is that Telephone Company maintenance effort performed outside of the Telephone Company's normally scheduled business day.

13.1.4 Stand By

Stand by includes all time in excess of one-half (1/2) hour during which Telephone Company personnel stand by to make cooperative tests with a customer to verify facility repair on a given service.

13.1.5 Testing and Maintenance with Other Telephone Companies

Testing and Maintenance with Other Telephone Companies is that additional testing, maintenance or repair of facilities which connect to facilities of other telephone companies, which is in addition to normal effort required to test, maintain or repair facilities provided solely by the Telephone Company.

ISSUE DATE:
February 28, 2011

Issued Under Transmittal No. 1
Vice President-Regulatory Operations
100 CenturyLink Drive
Monroe, Louisiana 71203

EFFECTIVE DATE:
March 1, 2011

ACCESS SERVICE

13. Additional Labor and Miscellaneous Services (Cont'd)13.1 Additional Labor (Cont'd)13.1.6 Additional Installation Testing

For Special Access Additional Installation Testing, only Non-Competitive End-User Channel Terminations (EUCTs) are filed as part of this tariff. Additional Installation Testing for other Special Access Services to complete the circuit are outside this tariff and can be accessed at the Company's website or Company's other designated location.

(N)

(N)

Additional installation testing is that testing performed by the Company at the time of installation which is in addition to the normal pre-service acceptance testing to ensure the satisfactory performance of Access Service ordered by the Customer. In no event shall a charge be made for Additional Labor that is related solely to testing with other companies.

(C)

13.1.7 Other Labor

Other labor is that additional labor not included in 13.1.2 through 13.1.5 preceding and labor incurred to accommodate a specific customer request that involves only labor which is not covered by any other section of this tariff.

13.1.8 Charges for Additional Labor

Hourly charges are calculated from the time Company personnel are dispatched and end when the work is completed.

(C)

ACCESS SERVICE

13. Additional Labor and Miscellaneous Services (Cont'd)13.1 Additional Labor (Cont'd)13.1.8 Charges for Additional Labor (Cont'd)

Service by a Company employee at a time not consecutive with his scheduled work period is subject to a minimum charge of 3 hours at the rate specified in Section 13.2(B) or 13.2(C), as applicable. (C)

13.1.9 Maintenance of Service

For Special Access Maintenance, only Non-Competitive End-User Channel Terminations (EUCTs) are filed as part of this tariff. Maintenance for other Special Access Services to complete the circuit are outside this tariff and can be accessed at the Company's website or Company's other designated location. (N)
(N)

(A) When a customer reports a trouble to the Company for clearance and no trouble is found in the Company's facilities, the customer shall be responsible for payment of a Maintenance of Service charge for the period of time from when Company personnel are dispatched to when the work is completed. Failure of Company personnel to find trouble in Company facilities will result in no charge if the trouble is actually in those facilities, but not discovered at the time. (C)
(C)
(C)
(C)
(C)

(B) The customer shall be responsible for payment of a Maintenance of Service charge when the Company dispatches personnel, and the trouble is in equipment or communications systems provided by other than the Company or in detariffed CPE provided by the Company. (C)
(C)
(C)

In either (A) or (B) preceding, no credit allowance will be applicable for the interruption involved if the Maintenance of Service charge applies.

Maintenance of Service charges are applied on a per half hour, per technician basis as set forth in 13.2 following.

ACCESS SERVICE

13. Additional Labor and Miscellaneous Services (Cont'd)13.1 Additional Labor (Cont'd)13.1.10 Testing Services

For Special Access Testing Services, only Non-Competitive End-User Channel Terminations (EUCTs) are filed as part of this tariff. Testing Services for other Special Access Services to complete the circuit are outside this tariff and can be accessed at the Company's website or Company's other designated location.

(N)

(N)

Testing Services offered under this section of the tariff are optional and subject to rates and charges as set forth in 13.2 following. Other testing services provided by the Company in association with Access Services are furnished at no additional charge. These other testing services are described in 6.1.5 and 7.1.7 preceding.

(C)

Testing services are normally provided by Company personnel at Company locations. However, provisions are made in (A)(3), (A)(4), (B)(2) and (B)(3) following for a customer to request Company personnel to perform testing services at the customer's premises.

(C)

(C)

The offering of Testing Services under this section of the tariff is made subject to the availability of the necessary qualified personnel and test equipment at the various test locations mentioned in (A), (B) and (C) following. In order to facilitate scheduling of the Company's test equipment and personnel, the customer should request any desired Additional Tests with 60 days advance notice. Whenever feasible, the Company will accommodate requests with less than 60 days advance notice.

(C)

(C)

Testing is available where technically feasible.

ACCESS SERVICE

13. Additional Labor and Miscellaneous Services (Cont'd)13.1 Additional Labor (Cont'd)13.1.10 Testing Services (Cont'd)(A) Switched Access Service

Testing Services for Switched Access are comprised of (a) tests which are performed during the installation of a Switched Access Service, i.e., Acceptance Tests, (b) tests which are performed after acceptance of such access services by a customer which are without charge, i.e., In-Service Testing and (c) tests which are performed during or after acceptance of such access services by a customer for which additional charges apply, i.e., Additional Tests.

Acceptance Tests, furnished to the customer at no additional charge, are those tests performed by the Telephone Company at the time of installation, as set forth in 6.1.5 preceding, which are required to establish switched access service.

In-Service Tests, furnished to the customer at no additional charge, are those tests performed by the Telephone Company at the request of the customer and may be done on an automatic basis (no Telephone Company or customer technicians involved), cooperative basis (Telephone Company technician(s) involved at Telephone Company office(s) and customer technician(s) involved at customer's premises), or manual basis (Telephone Company technicians(s) involved Telephone Company office(s) and at customer's premises). Additional Testing of switched access services are subject to the charges set forth in section 13.3.1 following.

Testing services are ordered to the dial tone office for FGA, to the tandem or end office switch for FGB service (wherever the FGB service is ordered), and to the end office for FGC and FGD services. Testing Services for directory assistance service not routed through an access tandem is ordered to a directory assistance location for each NPA.

ISSUE DATE:
February 28, 2011

Issued Under Transmittal No. 1
Vice President-Regulatory Operations
100 CenturyLink Drive
Monroe, Louisiana 71203

EFFECTIVE DATE:
March 1, 2011

ACCESS SERVICE

13. Additional Labor and Miscellaneous Services (Cont'd)13.1 Additional Labor (Cont'd)13.1.10 Testing Services (Cont'd)(A) Switched Access Service (Cont'd)(1) Additional Automatic Testing (AAT)

Additional Automatic Testing (AAT) of switched access services (Feature Groups B, C and D), is a service where the customer provides remote office test lines and 105 test lines with associated responders or their functional equivalent. The customer may request, on a per test basis at the rates set forth in 13.3.1(A)(1) following, gain-slope and c-notched noise testing as well as the in-service tests (1004 Hz loss, c-message noise and balance) on an as needed or more than routine schedule subject to the availability of test equipment necessary to perform AAT tests.

When the customer requests AAT as set forth in this section, the Telephone Company will notify the customer whether the line or trunk being tested passed or failed the requested test. Should the customer also desire a written report containing the specific technical results of the test, a nonrecurring charge will apply for each report requested. This nonrecurring charge is set forth in 13.3.1(A)(3) following.

(2) Additional Cooperative Testing (ACT)

Additional Cooperative Testing (ACT) of switched access services (Feature Groups A, B, C, and D, and directory assistance service not routed through an access tandem), is available when the Telephone Company provides a technician at its office(s) and the customer provides a technician at its premises, with suitable test equipment to perform the required tests. The customer may request, on a per test basis at the rates set forth in 13.3.1(A)(2), gain-slope and c-notched noise testing, as well as the in-service tests (1004 Hz loss, c-message noise, and balance) on an as needed or more than routine schedule.

ISSUE DATE:
February 28, 2011

Issued Under Transmittal No. 1
Vice President-Regulatory Operations
100 CenturyLink Drive
Monroe, Louisiana 71203

EFFECTIVE DATE:
March 1, 2011

ACCESS SERVICE

13. Additional Labor and Miscellaneous Services (Cont'd)3.1 Additional Labor (Cont'd)13.1.10 Testing Services (Cont'd)(A) Switched Access Service (Cont'd)(3) Additional Manual Testing (AMT)

Additional Manual Testing (AMT) of switched access services (Feature Groups A, B, C, and D and directory assistance service is not routed through an access tandem), is available when the Telephone Company provides a technician at its office(s) and at the customer's premises. The customer may request Additional Manual Tests on a per half hour, per technician basis, for gain-slope, c-notched noise as well as in-service tests (1004 Hz loss, c-message noise, and balance) on an as needed or more than routine basis.

(4) Miscellaneous Additional Testing (MAT)

Miscellaneous Additional Testing of switched access services (Feature Groups A, B, C, D, and directory assistance service not routed through an access tandem) ordered on an Automatic, Cooperative, or Manual basis will consist of any test the customer may request, that is not expressly described in (1), (2) and (3) preceding, subject to the availability of the necessary qualified personnel and test equipment required to perform the requested test(s). Miscellaneous Additional Testing will be provided on a per half hour, per technician basis.

ISSUE DATE:
February 28, 2011

Issued Under Transmittal No. 1
Vice President-Regulatory Operations
100 CenturyLink Drive
Monroe, Louisiana 71203

EFFECTIVE DATE:
March 1, 2011

ACCESS SERVICE

13. Additional Labor and Miscellaneous Services (Cont'd)13.1 Additional Labor (Cont'd)13.1.10 Testing Services (Cont'd)(A) Switched Access Service (Cont'd)(5) Obligations of the Customer

(a) When the customer subscribes to Testing Services, as set forth in this section, the customer shall provide the remote office line priming data to the Company, as appropriate to support routine or AAT as set forth in 6.1.5 preceding. (C)

(b) The customer shall also make the facilities to be tested available to the Company at times mutually agreed upon. (C)

(6) Office Test Line Access

This testing service provides access to the Telephone test line terminations, where available and on a schedule agreed to by the Company, for the purpose of enabling the Customer to perform testing of inward, outward and two-way transmission paths to the Company first switching point. (C)

(B) Special Access Service

For Special Access Testing Services, only Non-Competitive End-User Channel Terminations (EUCTs) are filed as part of this tariff. Testing Services for other Special Access Services to complete the circuit are outside this tariff and can be accessed at the Company's website or Company's other designated location. (N)

Testing Services for special access services are comprised of tests which are performed during the installation of a special access service, i.e., Acceptance Tests and tests which are performed during or after acceptance of such access services by a customer for which additional charges apply, i.e., Additional Tests. (N)

ACCESS SERVICE

13. Additional Labor and Miscellaneous Services (Cont'd)13.1 Additional Labor (Cont'd)13.1.10 Testing Services (Cont'd)(B) Special Access Service (Cont'd)

Acceptance Testing, furnished to the customer at no additional charge, are those tests performed by the Telephone Company at the time of installation, as set forth in 7.1.7 preceding, which are required to establish service.

Additional Tests, as set forth in (1), (2) and (3) following, are those tests performed by the Telephone Company at the request of the customer and may be done on a cooperative basis (Telephone Company technician(s) involved at Telephone Company office(s) and customer technician(s) involved at customer's premises), or manual basis (Telephone Company technician(s) involved at Telephone Company office(s) and at customer's premises). Additional testing of special access services are subject to the charges as set forth in 13.2 following.

(1) Additional Cooperative Testing (ACT)

When a customer provides a technician at its premises, or at an end user's premises, with suitable test equipment to perform the required tests, the Telephone Company will provide a technician at its office for the purpose of conducting Additional Cooperative Testing on voice grade services. These tests will be provided on a per half hour, per technician basis, and may consist of the following:

- Attenuation Distortion (i.e., frequency response).
- Intermodulation Distortion (i.e., harmonic distortion)
- Phase Jitter
- Impulse Noise
- Envelope Delay Distortion
- Frequency Shift
- Echo Control

ISSUE DATE:
February 28, 2011

Issued Under Transmittal No. 1
Vice President-Regulatory Operations
100 CenturyLink Drive
Monroe, Louisiana 71203

EFFECTIVE DATE:
March 1, 2011

ACCESS SERVICE

13. Additional Labor and Miscellaneous Services (Cont'd)13.1 Additional Labor (Cont'd)13.1.10 Testing Services (Cont'd)(B) Special Access Service (Cont'd)(2) Additional Manual Testing (AMT)

When the Telephone Company provides a technician(s) at its office and the Telephone Company provides technician(s) at the customer's premises or at the end user's premises, Additional Manual Tests may be conducted. These tests will be provided on a per half hour, per technician basis, and may consist of the following:

- Attenuation Distortion (i.e., frequency response)
- Intermodulation Distortion (i.e., harmonic distortion)
- Phase Jitter
- Impulse Noise
- Envelope Delay of Distortion
- Frequency Shift
- Echo Control

(3) Miscellaneous Additional Testing (MAT)

Miscellaneous Additional Testing of special access service ordered on a Cooperative, or Manual basis will consist of any test the customer may request, that is not expressly described in (1) or (2) preceding, subject to the availability of the necessary qualified personnel and test equipment required to perform the requested test. Miscellaneous Additional Testing will be provided on a per half hour, per technician basis.

ISSUE DATE:
February 28, 2011

Issued Under Transmittal No. 1
Vice President-Regulatory Operations
100 CenturyLink Drive
Monroe, Louisiana 71203

EFFECTIVE DATE:
March 1, 2011

ACCESS SERVICE

13. Additional Labor and Miscellaneous Services (Cont'd)

13.1 Additional Labor (Cont'd)

13.1.10 Testing Services (Cont'd)

(B) Special Access Service (Cont'd)

(4) Obligations of the Customer

When the customer subscribes to Testing Services, as set forth in this section, the customer shall make the facilities to be tested available to the Telephone Company at times mutually agreed upon.

ISSUE DATE:
February 28, 2011

Issued Under Transmittal No. 1
Vice President-Regulatory Operations
100 CenturyLink Drive
Monroe, Louisiana 71203

EFFECTIVE DATE:
March 1, 2011

ACCESS SERVICE

13. Additional Labor and Miscellaneous Services (Cont'd)

13.2 Additional Labor Rates

(A) Basic Time, normally scheduled working hours, per engineer or technician

	<u>Additional Labor Periods</u>		
	<u>First Half Hour or Fraction Thereof</u>	<u>Each Add'l Half Hour or Fraction Thereof</u>	
Florida	\$34.00	\$23.00	(D)
Minnesota	\$40.00	\$25.00	(D)
Nebraska	\$40.00	\$25.00	(D)
Oregon	\$65.00	\$25.00	(D)
Washington	\$65.00	\$25.00	(D)
Wyoming	\$40.00	\$25.00	(D)

Material deleted from this page now appears in Brightspeed Local Operating Companies Tariff F.C.C. NO. 9.

(D)
(N)
(N)

ISSUE DATE:
September 19, 2022

Issued Under Transmittal No. 125
 Vice President-Regulatory Operations
 100 CenturyLink Drive
 Monroe, Louisiana 71203

EFFECTIVE DATE:
October 4, 2022

ACCESS SERVICE

13. Additional Labor and Miscellaneous Services (Cont'd)

13.2 Additional Labor Rates (Cont'd)

(B) Overtime, outside of normally scheduled working hours, per engineer or technician

	<u>Additional Labor Periods</u>		
	<u>First Half Hour or Fraction Thereof</u>	<u>Each Add'l Half Hour or Fraction Thereof</u>	
Florida	\$35.00	\$25.00	(D)
Minnesota	\$50.00	\$35.00	(D)
Nebraska	\$50.00	\$35.00	(D)
New Jersey	\$50.00	\$35.00	(D)
Oregon	\$70.00	\$30.00	(D)
Washington	\$70.00	\$30.00	(D)
Wyoming	\$50.00	\$35.00	(D)

Material deleted from this page now appears in Brightspeed Local Operating Companies Tariff F.C.C. NO. 9.

(D)
(N)
(N)

ISSUE DATE:
September 19, 2022

Issued Under Transmittal No. 125
 Vice President-Regulatory Operations
 100 CenturyLink Drive
 Monroe, Louisiana 71203

EFFECTIVE DATE:
October 4, 2022

ACCESS SERVICE

13. Additional Labor and Miscellaneous Services (Cont'd)

13.2 Additional Labor Rates (Cont'd)

(C) Premium time, outside of scheduled work day, per engineer or technician

	<u>Additional Labor Periods</u>		
	<u>First Half Hour or Fraction Thereof</u>	<u>Each Add'l Half Hour or Fraction Thereof</u>	
Florida	\$43.00	\$30.00	(D)
Minnesota	\$60.00	\$50.00	(D)
Nebraska	\$60.00	\$50.00	(D)
Oregon	\$80.00	\$40.00	(D)
Washington	\$80.00	\$40.00	(D)
Wyoming	\$60.00	\$50.00	(D)

Material deleted from this page now appears in Brightspeed Local Operating Companies Tariff F.C.C. NO. 9.

(D)
(N)
(N)

ISSUE DATE:
September 19, 2022

Issued Under Transmittal No. 125
 Vice President-Regulatory Operations
 100 CenturyLink Drive
 Monroe, Louisiana 71203

EFFECTIVE DATE:
October 4, 2022

ACCESS SERVICE

13. Additional Labor and Miscellaneous Services (Cont'd)

13.3 Miscellaneous Services

13.3.1 Additional Testing Services

(A) Rate and Charges

(1) Additional Automatic Testing

(1004 Hz loss, C-Message Noise, Balance, Gain Slope and C-Notched Noise)

The Additional Automatic Test, as set forth preceding, may be ordered by the customer, at additional charges, 60 days prior to the start of the customer's prescribed schedule.

	<u>Per Test, Per Transmission Path</u>	
Florida	\$1.30	D)
		(D)
Minnesota	\$2.00	(D)
Nebraska	\$2.00	(D)
		(D)
Oregon	\$2.00	(D)
		(D)
Washington	\$2.00	
Wyoming	\$2.00	(D)

Material deleted from this page now appears in Brightspeed Local Operating Companies Tariff F.C.C. NO. 9.

(D)
(N)
(N)

ISSUE DATE:
September 19, 2022

Issued Under Transmittal No. 125
 Vice President-Regulatory Operations
 100 CenturyLink Drive
 Monroe, Louisiana 71203

EFFECTIVE DATE:
October 4, 2022

ACCESS SERVICE

13. Additional Labor and Miscellaneous Services (Cont'd)

13.3 Miscellaneous Services

13.3.1 Additional Testing Services

(A) Rate and Charges

(2) Additional Automatic Testing

(1004 Hz loss, C-Message Noise, Balance, Gain Slope and C-Notched Noise)

The Additional Automatic Test, as set forth preceding, may be ordered by the customer, at additional charges, 60 days prior to the start of the testing schedule as mutually agreed to by the customer and the Telephone Company.

	<u>Per Test, Per Transmission Path</u>	
Florida	\$3.90	(D)
		(D)
Minnesota	\$5.00	(D)
Nebraska	\$5.00	(D)
		(D)
Oregon	\$5.50	(D)
		(D)
Washington	\$5.50	(D)
Wyoming	\$5.00	(D)

Material deleted from this page now appears in Brightspeed Local Operating Companies Tariff F.C.C. NO. 9. (N)
 (N)

ISSUE DATE:
 September 19, 2022

Issued Under Transmittal No. 125
 Vice President-Regulatory Operations
 100 CenturyLink Drive
 Monroe, Louisiana 71203

EFFECTIVE DATE:
 October 4, 2022

ACCESS SERVICE

13. Additional Labor and Miscellaneous Services (Cont'd)

13.3 Miscellaneous Services

13.3.1 Additional Testing Services

(A) Rate and Charges

(3) Provision of AAT Test Results to the Customer

Provision of AAT Test Results for each truck tested.
 - Per Report Provided

	<u>Nonrecurring Charge</u>	
Florida	\$17.30	(D)
Minnesota	\$20.00	(D)
Nebraska	\$20.00	(D)
Oregon	GAR	(D)
Washington	GAR	(D)
Wyoming	\$20.00	(D)

Material deleted from this page now appears in Brightspeed Local Operating Companies Tariff F.C.C. NO. 9.

(D)
(N)
(N)

ISSUE DATE:
September 19, 2022

Issued Under Transmittal No. 125
 Vice President-Regulatory Operations
 100 CenturyLink Drive
 Monroe, Louisiana 71203

EFFECTIVE DATE:
October 4, 2022

ACCESS SERVICE

13. Additional Labor and Miscellaneous Services (Cont'd)13.3 Miscellaneous Services (Cont'd)13.3.2 Presubscription

- (A) Presubscription is a procedure whereby an end user# may select and designate to the Telephone Company an IC to access, without dialing an access code, for interLATA interstate calls. This IC is referred to as the end user's primary IC. The presubscription procedure also allows the agent* representing a pay telephone to select and designate to the Telephone Company an IC to access, without dialing an access code, for interstate interLATA calls. Presubscription is available only to End Users served by end offices that have been converted to provide Feature Group D Switched Access Service.
- (B) Presubscription of residence and business lines and/or trunks is furnished in accordance with the detailed provisions of the Federal Communications Commission's Allocation Plan. The plan with all appendices is available for inspection at the main building of the Federal Communications Commission in the Public Reference Room of the Tariff Division. Copies may be obtained from the Federal Communications Commission's Commercial Contractor.

The same detailed provisions also apply to pay telephone presubscription for end offices converting to equal access after February 10, 1990. Pay telephone presubscription for end offices converted to equal access prior to February 10, 1990, will follow a transition schedule. After that date, pay telephone lines will be included in the standard presubscription time line for the end office.

For purposes of this section, the term end user also includes alternative local exchange carriers (ALECs) that are certified to resell local exchange telecommunications services.

* An agent is the person or persons who have the legal authority to give permission for the placement of pay telephones on their premises and who control access to or usage of the pay telephone.

ISSUE DATE:
February 28, 2011

Issued Under Transmittal No. 1
Vice President-Regulatory Operations
100 CenturyLink Drive
Monroe, Louisiana 71203

EFFECTIVE DATE:
March 1, 2011

ACCESS SERVICE

13. Additional Labor and Miscellaneous Services (Cont'd)13.3 Miscellaneous Services (Cont'd)13.3.2 Presubscription (Cont'd)(C) Presubscription Charge Application

- (1) New end users or agents, who will be served by end offices equipped with equal access, will be asked to select a primary IC at the time they place an order with the Telephone Company for Telephone Exchange Service. A confirming notice will be mailed to the new end user or agent when an IC is verbally chosen.

New end users or agents will be offered a list of participating carriers to aid in their selection of a primary IC. There will be no charge for this initial selection.

After the end user's or agent's initial primary IC selection, for any change thereafter, a charge, as set forth in (E) following, applies.

ISSUE DATE:
February 28, 2011

Issued Under Transmittal No. 1
Vice President-Regulatory Operations
100 CenturyLink Drive
Monroe, Louisiana 71203

EFFECTIVE DATE:
March 1, 2011

ACCESS SERVICE

13. Additional Labor and Miscellaneous Services (Cont'd)13.3 Miscellaneous Services (Cont'd)13.3.2 Presubscription (Cont'd)(C) Presubscription Charge Application (Cont'd)

(2) End users may designate that they do not want a primary IC. This choice is considered a valid selection and a Presubscription Charge will apply to any subsequent change. This "no primary IC" designation is not available to pay telephone agents.

(3) Should an IC elect to discontinue Feature Group D service in an end office converting to equal access prior to the conversion date, or within two years after the introduction of Feature Group D in the converted end office, the IC shall contact in writing all end users and agents who selected, or were allocated to, the cancelling IC as their designated IC. Such written notification must advise these end users and agents of the IC cancellation, request that the end users or agents select a new IC, and state that the cancelling IC will pay the change charge.

For a period of two years following the IC's discontinuance of Feature Group D service, the Telephone Company will bill the cancelling IC the change charge for each end user and agent that is currently designated to the IC at the time of discontinuance.

ISSUE DATE:
February 28, 2011

Issued Under Transmittal No. 1
Vice President-Regulatory Operations
100 CenturyLink Drive
Monroe, Louisiana 71203

EFFECTIVE DATE:
March 1, 2011

ACCESS SERVICE

13. Additional Labor and Miscellaneous Services (Cont'd)13.3 Miscellaneous Services (Cont'd)13.3.2 Presubscription (Cont'd)(C) Presubscription Charge Application (Cont'd)

- (4) The Telephone Company will make post conversion changes in the end user's or agent's PIC assignment pursuant to an IC provided list of customers, accepted by the Telephone Company under the conditions set forth preceding. Should an end user or agent dispute authorization of the change in PIC assignment, the Telephone Company will place the end user or agent on the previous carrier's network where possible and the carrier will be billed in accordance with 13.3.2(D) following.

(D) Unauthorized PIC Carrier Restoral

An Unauthorized PIC Carrier Restoral is a change in the preferred PIC assignment that the end user or agent denies authorizing. If an end user or agent denies requesting the change in PIC assignment as submitted by the IC, the alleged unauthorized IC will be assessed the PIC change charge as set forth in 13.3.2(E) for the following:

- Changing the end user or agent to the disputed IC, and;
- Placing the end user or agent back on their previous IC's network.

ISSUE DATE:
February 28, 2011

Issued Under Transmittal No. 1
Vice President-Regulatory Operations
100 CenturyLink Drive
Monroe, Louisiana 71203

EFFECTIVE DATE:
March 1, 2011

ACCESS SERVICE

13. Additional Labor and Miscellaneous Services (Cont'd)

13.3 Miscellaneous Services (Cont'd)

13.3.2 Presubscription (Cont'd)

(E) The nonrecurring charge for a change in presubscription is as follows:

	Nonrecurring Charge *			
	Electronic ** InterLATA	Manual ** InterLATA	Electronic ** Simultaneous InterLATA & IntraLATA	Manual ** Simultaneous InterLATA & IntraLATA
Florida	\$1.25	\$5.50	\$0.63	\$2.75
Minnesota	\$1.25	\$5.50	\$0.63	\$2.75
Nebraska	\$1.25	\$5.50	\$0.63	\$2.75
Oregon	\$1.25	\$5.50	\$0.63	\$2.75
Washington	\$1.25	\$5.50	\$0.63	\$2.75
Wyoming	\$1.25	\$5.50	\$0.63	\$2.75

(D)
 (D)
 (D)
 (D)
 (D)
 (D)
 (D)

* This charge is billed to the end user which is the subscriber to the Telephone Exchange Service or the agent of the pay telephone, except as set forth in (C) preceding or in situations when such charges would be billed to an IC.

See Section 1.3 preceding.

** As used above, manual methods are personal interaction between a customer, or a person acting on behalf of a customer, and a Telephone Company employee; and any facsimile or written submissions from a customer, or a person acting on behalf of a customer, to a Telephone Company service center. Electronic methods shall include all other methods. If a request utilizing an electronic method results in manual processing, the electronic nonrecurring charge shall apply upon completion of the request.

Material deleted from this page now appears in Brightspeed Local Operating Companies Tariff F.C.C. NO. 9.

(N)
 (N)

ISSUE DATE:
 September 19, 2022

Issued Under Transmittal No. 125
 Vice President-Regulatory Operations
 100 CenturyLink Drive
 Monroe, Louisiana 71203

EFFECTIVE DATE:
 October 4, 2022

ACCESS SERVICE

13. Additional Labor and Miscellaneous Services (Cont'd)13.3 Miscellaneous Services (Cont'd)13.3.2 Presubscription (Cont'd)(F) Merger/Acquisition Presubscription Service(1) Service Description

Merger/Acquisition Presubscription is an optional miscellaneous service designed to assist interexchange carriers (ICs) in consolidating multiple Carrier Identification Codes (CICs).

(2) Regulations

When an interexchange carrier (IC) is involved in an acquisition or merger, the Telephone Company will convert each presubscribed line from the acquired company's CIC(s) to those of the acquiring company. The Telephone Company will work cooperatively with the acquiring IC to determine a due date for the requested presubscription changes. The acquiring IC is responsible for notifying end user customers of the change in their presubscribed carrier.

IC requests for end user presubscription changes in order to consolidate multiple CIC codes resulting from mergers or acquisitions will be subject to the presubscription change charges set forth in (F)(3) following.

ISSUE DATE:
February 28, 2011

Issued Under Transmittal No. 1
Vice President-Regulatory Operations
100 CenturyLink Drive
Monroe, Louisiana 71203

EFFECTIVE DATE:
March 1, 2011

ACCESS SERVICE

13. Additional Labor and Miscellaneous Services (Cont'd)

13.3 Miscellaneous Services

13.3.2 Presubscription (Cont'd)

(F) Merger/Acquisition Presubscription Service (Cont'd)

(3) Rates and Charges

The nonrecurring charge for Merger/Acquisition Presubscription changes is as follows:

- Per Business or Residence Line or Trunk

	<u>Nonrecurring Charge</u>	
Florida	\$1.00	
Minnesota	\$1.00	(D)
Nebraska	\$1.00	(D)
		(D)
Oregon	\$1.00	(D)
		(D)
Washington	\$1.00	(D)
Wyoming	\$1.00	(D)

Material deleted from this page now appears in Brightspeed Local Operating Companies Tariff F.C.C. NO. 9. (D)

(N)
(N)

ISSUE DATE:
September 19, 2022

Issued Under Transmittal No. 125
 Vice President-Regulatory Operations
 100 CenturyLink Drive
 Monroe, Louisiana 71203

EFFECTIVE DATE:
October 4, 2022

ACCESS SERVICE

13. Additional Labor and Miscellaneous Services (Cont'd)13.3 Miscellaneous Services (Cont'd)13.3.3 Reserved For Future Use13.3.4 Provision of Access Service Billing Information

(A) The customer shall select the medium in which its official access service bills and customer service records are to be provided. This selection shall be made on a per Billing Account Number (BAN) basis and shall be submitted in writing to the Telephone Company. The customer may request that access service billing information be provided via electronic data transfer, on-line bill image **or** paper format. Should the customer fail to make a selection, the official copy of the customer's access service bills and customer service records will be provided in paper format. If a customer requests their access bill in multiple formats that includes the paper format, the paper format will be considered the additional or secondary format and will be charged according to 13.3.4(D)(1). (C)

(B) At the customer's option, additional copies of the current month's access service bill and/or customer service records will be provided via paper format at the charges specified in 13.3.4(D) following. Requests for additional copies of the current month's bill and/or customer service records must be submitted in writing and shall specify the medium selected by the customer. (C)

Additional copies of a customer's previous monthly access service bills will be provided via paper format on an individual case basis. Requests for additional copies of previous monthly bills must be submitted in writing and shall specify the bill dates requested and the medium in which the copies are to be provided. The charges for providing additional copies of previous monthly access service bills will be developed by the Telephone Company on an individual case basis and filed in Section 13.3.11 following. (C)

(D)

ISSUE DATE:
January 17, 2020

Issued Under Transmittal No. 110
Vice President-Public Policy & Compliance
100 CenturyLink Drive
Monroe, Louisiana 71203

EFFECTIVE DATE:
February 1, 2020

ACCESS SERVICE

13. Additional Labor and Miscellaneous Services (Cont'd)

13.3 Miscellaneous Services (Cont'd)

13.3.4 Provision of Access Service Billing Information (Cont'd)

(C) Upon acceptance by the Telephone Company of an order for electronic data transfer, the Telephone Company will determine the period of time to implement the transmission of such material on an individual order basis.

(D) Upon acceptance of an order by the Telephone Company for the on-line bill image format option, the Telephone Company will establish customer access to the Billing Account Number identified by the customer. The on-line bill image option captures and retains invoices on a go-forward basis from the time of initial set-up. Previous bill history will not be available in the on-line bill image format prior to the establishment of the on-line bill image format option by the customer.

(N)
|
(N)

The rates and charges for the provision of Access Service Billing Information for other additional or secondary formats are as follows:

ISSUE DATE:
July 24, 2015

Issued Under Transmittal No. 73
Vice President-Regulatory Operations
100 CenturyLink Drive
Monroe, Louisiana 71203

EFFECTIVE DATE:
August 8, 2015

ACCESS SERVICE

13. Additional Labor and Miscellaneous Services (Cont'd)

13.3 Miscellaneous Services (Cont'd)

13.3.4 Provision of Access Service Billing Information (Cont'd)

(D) (Cont'd)

(1) Additional copies of the customer's monthly bill or service and features records

- per copy per account in standard paper format

	<u>Monthly Rate</u>	<u>Nonrecurring Charge</u>
Florida	\$60.00	\$60.00
Minnesota	\$60.00	\$60.00
Nebraska	\$60.00	\$60.00
Oregon	\$60.00	\$60.00
Washington	\$60.00	\$60.00
Wyoming	\$60.00	\$60.00

(D)
 (D)
 (D)
 (D)
 (D)
 (D)

Material deleted from this page now appears in Brightspeed Local Operating Companies Tariff F.C.C. NO. 9.

(D)
 (N)
 (N)

ISSUE DATE:
 September 19, 2022

Issued Under Transmittal No. 125
 Vice President-Regulatory Operations
 100 CenturyLink Drive
 Monroe, Louisiana 71203

EFFECTIVE DATE:
 October 4, 2022

ACCESS SERVICE

13. Additional Labor and Miscellaneous Services (Cont'd)

13.3 Miscellaneous Services (Cont'd)

13.3.4 Provision of Access Service Billing Information (Cont'd)

(D) (Cont'd)

(2) Reserved for Future Use

(C)

(D)

(D)

ISSUE DATE:
January 17, 2020

Issued Under Transmittal No. 110
Vice President-Public Policy & Compliance
100 CenturyLink Drive
Monroe, Louisiana 71203

EFFECTIVE DATE:
February 1, 2020

ACCESS SERVICE

13 Additional Labor and Miscellaneous Services (Cont'd)13.3 Miscellaneous Services (Cont'd)13.3.5 Billing Name and Address(A) Service Description

Billing Name and Address (BNA) service provides account detail of the Telephone Company's customers to interexchange carriers, operator service providers, enhanced service providers, and any other provider of interstate telecommunications services.

(B) General

- (1) Upon acceptance of an order for BNA service, the Telephone Company will furnish account detail for each working telephone number submitted. Account detail consists of current data base information including the end user's billing name and billing address.
- (2) Only current information which resides in the Telephone Company's data base will be provided. Customers ordering BNA service must accept BNA account detail on an "as is" basis.
- (3) The Telephone Company will specify the location where requests for BNA service are to be received, and the format in which the requests are to be provided.

ISSUE DATE:
February 28, 2011

Issued Under Transmittal No. 1
Vice President-Regulatory Operations
100 CenturyLink Drive
Monroe, Louisiana 71203

EFFECTIVE DATE:
March 1, 2011

ACCESS SERVICE

13. Additional Labor and Miscellaneous Services (Cont'd)13.3 Miscellaneous Services (Cont'd)13.3.5 Billing Name and Address (Cont'd)(B) General (Cont'd)

- (4) The subscribing customer must agree that BNA information will not be resold or otherwise provided to any other person, corporation, partnership or entity, other than Customer's authorized billing agent, and that Billing Name and Address shall be used by Customer or Customer's authorized billing agent solely for:
 - (a) Billing its customers for using Customer's telecommunications services,
 - (b) Any purpose associated with the equal access requirement of *United States v. AT&T*, 552 F.Supp. 131 (D.D.C. 1982),
 - (c) Verification of service orders of new customers, identification of customers who have moved to a new address, fraud prevention, and similar nonmarketing purposes.
- (5) Manual Request
 - (a) At the customer's option, the Telephone Company will provide BNA via manual request procedures.
 - (b) BNA service information will be provided by the Telephone Company in standard paper format via facsimile or first class US mail.

ISSUE DATE:
February 28, 2011

Issued Under Transmittal No. 1
Vice President-Regulatory Operations
100 CenturyLink Drive
Monroe, Louisiana 71203

EFFECTIVE DATE:
March 1, 2011

ACCESS SERVICE

13. Additional Labor and Miscellaneous Services (Cont'd)13.3 Miscellaneous Services (Cont'd)13.3.5 Billing Name and Address (Cont'd)(B) General (Cont'd)

(5) Manual Request (Cont'd)

- (c) In situations where the customer requests more than forty (40) BNA records on a single order, the Telephone Company will provide the requested BNA information in a time frame mutually agreed to by the customer and the Telephone Company.

(6) Mechanized Request

- (a) At the customer's option, the Telephone Company will provide BNA, subject to procedures established for Customer Account Record Exchange (CARE).
- (b) The customer will submit their requests through proper CARE procedures, as revised or amended.
- (c) The Telephone Company will provide a copy of the proper CARE procedures for BNA, as revised or amended, to each customer upon request.

(C) Rate Regulations

The number of BNA records for which charges apply will be accumulated by the Telephone Company, and billed to the customer on a monthly basis at the rates set forth in (D) following. An Access Order charge as set forth in Section 5.2.2 will also apply.

ISSUE DATE:
February 28, 2011

Issued Under Transmittal No. 1
Vice President-Regulatory Operations
100 CenturyLink Drive
Monroe, Louisiana 71203

EFFECTIVE DATE:
March 1, 2011

ACCESS SERVICE

13. Additional Labor and Miscellaneous Services (Cont'd)

13.3 Miscellaneous Services (Cont'd)

13.3.5 Billing Name and Address (Cont'd)

(D) Rates and Charges

	Per BNA Request <u>Manual</u>	Per BNA Request <u>Mechanized</u>	
Florida	\$1.10	\$0.13	(D)
Minnesota	\$1.10	\$0.13	(D)
Nebraska	\$1.10	\$0.13	(D)
Nevada	\$1.19	\$0.13	(D)
Oregon	\$0.45	\$0.22	(D)
Washington	\$0.45	\$0.22	(D)
Wyoming	\$1.10	\$0.13	(D)

Material deleted from this page now appears in Brightspeed Local Operating Companies Tariff F.C.C. NO. 9.

ISSUE DATE:
September 19, 2022

Issued Under Transmittal No. 125
 Vice President-Regulatory Operations
 100 CenturyLink Drive
 Monroe, Louisiana 71203

EFFECTIVE DATE:
October 4, 2022

ACCESS SERVICE

13. Additional Labor and Miscellaneous Services (Cont'd)13.3 Miscellaneous Services (Cont'd)13.3.6 Telecommunications Service Priority (TSP) System(A) Regulations

- (1) The TSP System was developed to satisfy the requirements of the National Communications System (NCS) of the Federal Government and provides the regulatory, administrative and operational procedures authorizing the priority installation and/or priority restoration of National Security Emergency Preparedness (NSEP) telecommunications services. TSP applies only to NSEP telecommunications services, and authorizes the Telephone Company to take priority action in the provision and restoration of such services.
- (2) Priority installation and/or priority restoration of NSEP telecommunications services shall be provided in accordance with Part 64.401, Appendix A, of the Federal Communications Commission's (FCC's) Rules and Regulations, and in accordance with the guidelines set forth in the *Telecommunications Service Priority (TSP) System for National Security Emergency Preparedness (NSEP) Service Vendor Handbook (NCSH 3-1-2) and Service User Manual (NCSM 3-1-1)*.
- (3) The customer requesting TSP service must be the same customer for which the associated access service is provided.
- (4) Certain conditions may require that one or more customer services with a lower or no restoration priority be preempted in order to install or restore NSEP telecommunications service(s) of a higher priority. When such preemption is necessary, the Telephone Company will make every reasonable effort to notify the preempted customer of the action to be taken. Credit allowances for such service preemption shall be made according to the provisions set forth in 2.4.4(E) preceding.

ISSUE DATE:
February 28, 2011

Issued Under Transmittal No. 1
Vice President-Regulatory Operations
100 CenturyLink Drive
Monroe, Louisiana 71203

EFFECTIVE DATE:
March 1, 2011

ACCESS SERVICE

13. Additional Labor and Miscellaneous Services (Cont'd)13.3 Miscellaneous Services (Cont'd)13.3.6 Telecommunications Service Priority (TSP) System (Cont'd)(A) Regulations (Cont'd)

- (5) In obtaining TSP, the customer authorizes the Telephone Company to provide certain customer record information to the Manager, NCS, of the Federal Government so that the Government can maintain and administer its TSP System. This customer record information will include only the customer's name, TSP authorization code, Telephone Company circuit ID, customer telephone number and customer mailing address.
- (6) In order to provide priority restoration service in compliance with Part 64.401, Appendix A, of the FCC's Rules and Regulations, the Telephone Company may be unable to notify the customer in advance where additional labor charges apply, as set forth in 13.1, before the required additional labor is undertaken. The customer, in obtaining a restoration priority, recognizes that quoting charges and obtaining permission to proceed with the restoration of certain access services will cause unnecessary delays and, as a result, would be contrary to the aforementioned Rules and Regulations. In subscribing to TSP, the customer recognizes this condition and grants the Telephone Company the right to quote charges after the restoration has been completed.
- (7) When an assigned restoration priority is discontinued or revoked, and the associated access service is continued in service, no charge applies for such a discontinuance.

ISSUE DATE:
February 28, 2011

Issued Under Transmittal No. 1
Vice President-Regulatory Operations
100 CenturyLink Drive
Monroe, Louisiana 71203

EFFECTIVE DATE:
March 1, 2011

ACCESS SERVICE

13. Additional Labor and Miscellaneous Services (Cont'd)13.3 Miscellaneous Services (Cont'd)13.3.6 Telecommunications Service Priority (TSP) System (Cont'd)(A) Regulations (Cont'd)

- (8) Credit allowance provisions for an interruption in priority restoration are the same as those for the access service with which it is associated, as set forth in 2.4.4 preceding.
- (9) When a customer requests that a priority installation be expedited (i.e., essential and emergency services), any applicable expedite charges will apply in addition to the priority installation charges set forth in 13.3.6(B)(1) following.
- (10) In the event that the Telephone Company must utilize specially constructed facilities in the priority installation of an access service, the regulations, rates and charges set forth in Section 14, following for the service for which priority installation is required shall also apply.
- (11) The activities performed by the Telephone Company in the provision of TSP are included in the following rate elements:
 - (a) Priority Installation - includes provision of confirmation information to the Manager, NCS, of the Federal Government, verification of TSP code assignments, and installation preemption, if necessary.

ISSUE DATE:
February 28, 2011

Issued Under Transmittal No. 1
Vice President-Regulatory Operations
100 CenturyLink Drive
Monroe, Louisiana 71203

EFFECTIVE DATE:
March 1, 2011

ACCESS SERVICE

13. Additional Labor and Miscellaneous Services (Cont'd)13.3 Miscellaneous Services (Cont'd)13.3.6 Telecommunications Service Priority (TSP) System (Cont'd)(A) Regulations (Cont'd)

(11) (Cont'd)

- (b) Priority Restoration Implementation - includes provision of confirmation information to the Manager, NCS, of the Federal Government and verification of TSP code assignment.
- (c) Priority Restoration Change - includes provision of confirmation information and TSP code verification when a priority restoration level is changed on an associated access service.
- (d) Priority Restoration Maintenance - includes TSP system administration and maintenance, reconciliation of TSP code levels, and restoration preemption, if necessary.

ISSUE DATE:
February 28, 2011

Issued Under Transmittal No. 1
Vice President-Regulatory Operations
100 CenturyLink Drive
Monroe, Louisiana 71203

EFFECTIVE DATE:
March 1, 2011

ACCESS SERVICE

13. Additional Labor and Miscellaneous Services (Cont'd)

13.3 Miscellaneous Services (Cont'd)

13.3.6 Telecommunications Service Priority (TSP) System (Cont'd)

(B) Rates and Charges

The following rates and charges are in addition to all other rates and charges applicable for other services furnished under the provisions of this tariff which operate in conjunction with the TSP System. This includes, but it's not limited to, Maintenance of Service as set forth in 13.3.1 preceding.

(1) Priority Installation *
 - per circuit

	<u>Monthly Rate</u>	<u>Nonrecurring Charge</u>	
Florida	NONE	\$78.00	
Minnesota	NONE	\$100.00	(D)
Nebraska	NONE	\$100.00	(D)
Oregon	NONE	\$101.00	(D)
Washington	NONE	\$101.00	(D)
Wyoming	NONE	\$100.00	(D)

* When an access service is ordered with both priority installation and priority restoration the associated nonrecurring charge for each applies.

Material deleted from this page now appears in Brightspeed Local Operating Companies Tariff F.C.C. NO. 9.

ISSUE DATE:
 September 19, 2022

Issued Under Transmittal No. 125
 Vice President-Regulatory Operations
 100 CenturyLink Drive
 Monroe, Louisiana 71203

EFFECTIVE DATE:
 October 4, 2022

(N)
 (N)

ACCESS SERVICE

13. Additional Labor and Miscellaneous Services (Cont'd)

13.3 Miscellaneous Services (Cont'd)

13.3.6 Telecommunications Service Priority (TSP) System (Cont'd)

(B) Rates and Charges (Cont'd)

(2) Priority Restoration Implementation or Change *
 - per circuit

	<u>Monthly Rate</u>	<u>Nonrecurring Charge</u>
Florida	GAR	\$42.00
Minnesota	GAR	\$60.00
Nebraska	GAR	\$60.00
Oregon	GAR	\$57.00
Washington	GAR	\$57.00
Wyoming	GAR	\$60.00

(D)
 (D)
 (D)
 (D)
 (D)
 (D)

(D)

* When an access service is ordered with both priority installation and priority restoration the associated nonrecurring charge for each applies.

Material deleted from this page now appears in Brightspeed Local Operating Companies Tariff F.C.C. NO. 9.

(N)
 (N)

ISSUE DATE:
 September 19, 2022

Issued Under Transmittal No. 125
 Vice President-Regulatory Operations
 100 CenturyLink Drive
 Monroe, Louisiana 71203

EFFECTIVE DATE:
 October 4, 2022

ACCESS SERVICE

13. Additional Labor and Miscellaneous Services (Cont'd)

13.3 Miscellaneous Services (Cont'd)

13.3.6 Telecommunications Service Priority (TSP) System (Cont'd)

(B) Rates and Charges (Cont'd)

(3) Priority Restoration Maintenance and Administration
 - per circuit

	<u>Monthly Rate</u>	<u>Nonrecurring Charge</u>
Florida	\$20.30	GAR
Minnesota	\$30.00	GAR
Nebraska	\$30.00	GAR
Oregon	\$30.00	GAR
Washington	\$30.00	GAR
Wyoming	\$30.00	GAR

(D)
 (D)
 (D)
 (D)
 (D)
 (D)
 (D)

(D)

Material deleted from this page now appears in Brightspeed Local Operating Companies Tariff F.C.C. NO. 9.

(N)
 (N)

ISSUE DATE:
 September 19, 2022

Issued Under Transmittal No. 125
 Vice President-Regulatory Operations
 100 CenturyLink Drive
 Monroe, Louisiana 71203

EFFECTIVE DATE:
 October 4, 2022

ACCESS SERVICE

13. Additional Labor and Miscellaneous Services (Cont'd)13.3 Miscellaneous Services (Cont'd)13.3.7 Blocking and Screening Services

Central office blocking and screening services are provided on an as available basis depending upon the capabilities of various switching equipment. In addition, these services are generally available only in equal access exchanges. Accordingly these services may not be available in all exchanges.

- (A) Originating Line Screening (OLS) provides call screening information to the operator to prevent operator sent-paid (1+) calls from being billed to the line. This service is implemented by sending two information digits (generally known as II digits) with the Automatic Number Identification (ANI) of the originating line. These digits are transmitted to all carriers with the ANI. Additional information in the form of identification of the type of line, i.e. hotel, pay telephone, etc. may be provided to carriers for use in databases. This feature informs the OSP of any restrictions associated with the line for outgoing calls to which a caller is attempting to bill a call. This option can be used with the Bill Number Screening and International DDD Blocking options.
- (B) Billed Number Screening (BNS) provides automatic blocking of third number billing, collect billing, or both. BNS is implemented via external databases that may be queried by carriers as appropriate. The BNS feature is established for a particular billing number via service order. This feature informs the OSP of any restrictions regarding collect or third number calls billed to the line. This option can be used with the Originating Line Screening and International DDD Blocking options.

ISSUE DATE:
February 28, 2011

Issued Under Transmittal No. 1
Vice President-Regulatory Operations
100 CenturyLink Drive
Monroe, Louisiana 71203

EFFECTIVE DATE:
March 1, 2011

ACCESS SERVICE

13. Additional Labor and Miscellaneous Services (Cont'd)13.3 Miscellaneous Services (Cont'd)13.3.7 Blocking and Screening Services (Cont'd)

- (C) International DDD Blocking provides a central office blocking service that blocks all calls dialed 011+ and 101XXXX011+. This service is available only to business customers and to certain line classes such as are used by hotels, hospitals, pay telephones, etc.

International blocking and screening services may also be available under the Telephone Company's general or local exchange tariffs. The services are available to all customers where technically feasible.

The following nonrecurring charges will be applied on a per line or per trunk basis. These rates are not intended to be duplicative with blocking and screening services provided under the Telephone Company's general or local exchange tariffs. For example, a customer may request International DDD Blocking from either the general/local exchange tariff or from CenturyLink Operating Companies, Tariff F.C.C. No. 9.

ISSUE DATE:
February 28, 2011

Issued Under Transmittal No. 1
Vice President-Regulatory Operations
100 CenturyLink Drive
Monroe, Louisiana 71203

EFFECTIVE DATE:
March 1, 2011

ACCESS SERVICE

13. Additional Labor and Miscellaneous Services (Cont'd)

13.3 Miscellaneous Services (Cont'd)

13.3.7 Blocking and Screening Services (Cont'd)

Nonrecurring Charges – Per Line or Per Trunk

	<u>Originating Line Screening</u>	<u>Billed Number Screening</u>	<u>International DDD Blocking</u>
Florida	\$20.00	\$20.00	\$20.00
Minnesota	\$20.00	\$20.00	\$20.00
Nebraska	\$20.00	\$20.00	\$20.00
Nevada	\$20.00	\$20.00	\$20.00
Oregon	\$20.00	\$20.00	\$20.00
Washington	\$20.00	\$20.00	\$20.00
Wyoming	\$20.00	\$20.00	\$20.00

(D)
 (D)
 (D)
 (D)
 (D)
 (D)
 (D)

Material deleted from this page now appears in Brightspeed Local Operating Companies Tariff F.C.C. NO. 9.

(D)
 (N)
 (N)

ISSUE DATE:
 September 19, 2022

Issued Under Transmittal No. 125
 Vice President-Regulatory Operations
 100 CenturyLink Drive
 Monroe, Louisiana 71203

EFFECTIVE DATE:
 October 4, 2022

ACCESS SERVICE

13. Additional Labor and Miscellaneous Services (Cont'd)13.3 Miscellaneous Services (Cont'd)13.3.8 900 Access Blocking(A) Description

900 Access Blocking is an optional end user feature that provides end office blocking, where technically feasible, of direct-dialed 1+900+ and 101XXXX+900+ calls by routing such calls to a recorded announcement. 900 Access Blocking is available for use with Feature Group A switched access services described in Section 6. preceding and with services offered under the Telephone Company's local or general exchange tariffs which are provided to end users and to end user customers for the provision of telephones to transient members of the public or to transient users of an aggregator's premises.

(B) Regulations

End user requests for 900 Access Blocking will be accepted by the Telephone Company in a manner consistent with the regulations set forth in the Telephone company's local or general exchange tariffs. Requests by subscribers to remove 900 Access Blocking services must be submitted to the Telephone Company in writing.

(C) Rates and Charges

900 Access Blocking will be provided on a "per line" basis at no charge to the customer.

ISSUE DATE:
February 28, 2011

Issued Under Transmittal No. 1
Vice President-Regulatory Operations
100 CenturyLink Drive
Monroe, Louisiana 71203

EFFECTIVE DATE:
March 1, 2011

ACCESS SERVICE

13. Additional Labor and Miscellaneous Services (Cont'd)13.3 Miscellaneous Services (Cont'd)13.3.9 Carrier Call Transfer Service(A) Service Description

Carrier Call Transfer Service allows a participating IC to receive an on-line transfer call from a Telephone Company Business office via an interexchange carrier's (IC's) toll-free number. The IC must provide a toll free number dedicated solely for the Carrier Call Transfer Service. In addition, the IC must assign the highest call priority to all calls transferred by the Telephone Company under Carrier Call Transfer. This will allow Telephone Company calls to be routed to the first available IC representative regardless of other calls waiting in queue.

(B) General

Carrier Call Transfer permits an end user customer to be transferred to the IC if the end user customer has a question pertaining to service establishment/relocation, product inquiries, literature requests or if the end user customer has a billing inquiry regarding the IC's charges. Transfers to ICs for billing inquiry will not be offered when the Telephone Company provides billing inquiry for the IC. Additional transfer activity will be available from the end user customer to the IC based upon mutual agreement between the Telephone Company and the IC.

ISSUE DATE:
February 28, 2011

Issued Under Transmittal No. 1
Vice President-Regulatory Operations
100 CenturyLink Drive
Monroe, Louisiana 71203

EFFECTIVE DATE:
March 1, 2011

ACCESS SERVICE

13. Additional Labor and Miscellaneous Services (Cont'd)

13.3 Miscellaneous Services (Cont'd)

13.3.9 Carrier Call Transfer Service (Cont'd)

(C) Rate Regulations

A charge will be assessed to the participating IC for each end user customer call transferred to the IC. Calls can only be transferred to the Primary Interexchange Carrier (PIC) of the end user customer. Rates for Carrier Call Transfer Service will be applied on a rate per transfer basis as set forth in (D) following.

ISSUE DATE:
February 28, 2011

Issued Under Transmittal No. 1
Vice President-Regulatory Operations
100 CenturyLink Drive
Monroe, Louisiana 71203

EFFECTIVE DATE:
March 1, 2011

ACCESS SERVICE

13. Additional Labor and Miscellaneous Services (Cont'd)

13.3 Miscellaneous Services (Cont'd)

13.3.9 Carrier Call Transfer Service (Cont'd)

(D) Rates and Charges

Rate Per Transfer

Florida \$0.35

(D)

Minnesota \$0.35

(D)

Nebraska \$0.35

(D)

Nevada \$0.35

(D)

Oregon \$0.35

(D)

Washington \$0.35

(D)

Wyoming \$0.35

(D)

Material deleted from this page now appears in Brightspeed Local Operating Companies Tariff F.C.C. NO. 9.

(D)

(N)

(N)

ISSUE DATE:
 September 19, 2022

Issued Under Transmittal No. 125
 Vice President-Regulatory Operations
 100 CenturyLink Drive
 Monroe, Louisiana 71203

EFFECTIVE DATE:
 October 4, 2022

ACCESS SERVICE

13. Additional Labor and Miscellaneous Services (Cont'd)13.3 Miscellaneous Services (Cont'd)13.3.10 Pay Telephone Optional Features

Following are descriptions of the optional features that are available in conjunction with pay telephone service. These features are available only in technically equipped central offices.

- (A) Answer Supervision provides the capability of delivering an off-hook supervisory signal from the central office serving the customer to a line interface at the customer's premises for local and 1+ intraLATA toll calls processed and completed by the Telephone Company. The transmitted supervisory signal indicates that the called party has answered the incoming call.
- (B) Coin Control uses a software driven system to provide features and capabilities similar to those provided by the microprocessor based "smart" pay telephone sets. Coin control provides the following central office features for use with coinless or coin operated pay telephone service:
 - (1) Coin collection, return and recognition - monitors signals from the pay telephone to identify when coins are deposited. This feature identifies the status of the attempted call, and sends a signal to the pay telephone to collect the coins when the call is completed or return the coins when the call is not completed.

ISSUE DATE:
February 28, 2011

Issued Under Transmittal No. 1
Vice President-Regulatory Operations
100 CenturyLink Drive
Monroe, Louisiana 71203

EFFECTIVE DATE:
March 1, 2011

ACCESS SERVICE

13. Additional Labor and Miscellaneous Services (Cont'd)13.3 Miscellaneous Services (Cont'd)13.3.10 Pay Telephone Optional Features (Cont'd)(B) Coin Control (Cont'd)

- (2) Announcements - provides standard announcements used with pay telephone service (e.g., the amount of coin deposit required for long distance calls, the amount of overtime credit, and the amount of additional deposits required).
- (3) Pre-prompting for overtime - allows the pay telephone customer to prompt the end user for additional coin deposits required for overtime periods of conversation time, prior to the end of the time limit, and call cut-off if deposit is not received.

The following monthly recurring rates and nonrecurring charges will be applied on a per line or per trunk basis. These rates are not intended to be duplicative with the pay telephone optional features provided under the Telephone Company's general or local exchange tariffs. For example, a customer may request Pay Telephone Coin Control from either the general/local exchange tariff or from CenturyLink Operating Companies Tariff F.C.C. Np. 9.

ISSUE DATE:
February 28, 2011

Issued Under Transmittal No. 1
Vice President-Regulatory Operations
100 CenturyLink Drive
Monroe, Louisiana 71203

EFFECTIVE DATE:
March 1, 2011

ACCESS SERVICE

13. Additional Labor and Miscellaneous Services (Cont'd)

13.3 Miscellaneous Services (Cont'd)

13.3.10 Pay Telephone Optional Features (Cont'd)

(C) Rates and Charges

(1) Answer Supervision

	<u>Monthly Rates</u>	<u>Nonrecurring Charges</u>
Florida	\$4.00	\$21.00
Minnesota	\$4.00	\$21.00
Nebraska	\$4.00	\$21.00
Nevada	\$3.00	\$19.00
Oregon	\$4.00	\$15.00
Washington	\$4.00	\$15.00
Wyoming	\$4.00	\$21.00

(D)
 (D)
 (D)
 (D)
 (D)
 (D)
 (D)

Material deleted from this page now appears in Brightspeed Local Operating Companies Tariff F.C.C. NO. 9.

(D)
 (N)
 (N)

ISSUE DATE:
 September 19, 2022

Issued Under Transmittal No. 125
 Vice President-Regulatory Operations
 100 CenturyLink Drive
 Monroe, Louisiana 71203

EFFECTIVE DATE:
 October 4, 2022

ACCESS SERVICE

13. Additional Labor and Miscellaneous Services (Cont'd)

13.3 Miscellaneous Services (Cont'd)

13.3.10 Pay Telephone Optional Features (Cont'd)

(C) Rates and Charges

(2) Coin Control

	<u>Monthly Rates</u>	<u>Nonrecurring Charges</u>
Florida	\$4.00	\$21.00
Minnesota	\$4.00	\$21.00
Nebraska	\$4.00	\$21.00
Nevada	\$3.00	\$19.00
Oregon	\$4.00	\$15.00
Washington	\$4.00	\$15.00
Wyoming	\$4.00	\$21.00

(D)
 (D)
 (D)
 (D)
 (D)
 (D)
 (D)

Material deleted from this page now appears in Brightspeed Local Operating Companies Tariff F.C.C. NO. 9.

(D)
 (N)
 (N)

ISSUE DATE:
 September 19, 2022

Issued Under Transmittal No. 125
 Vice President-Regulatory Operations
 100 CenturyLink Drive
 Monroe, Louisiana 71203

EFFECTIVE DATE:
 October 4, 2022

ACCESS SERVICE

13. Additional Labor and Miscellaneous Services (Cont'd)

13.3 Miscellaneous Services (Cont'd)

13.3.11 Individual Case Filings

Rates and charges for miscellaneous services provided on an individual case basis are filed following:

ISSUE DATE:
February 28, 2011

Issued Under Transmittal No. 1
Vice President-Regulatory Operations
100 CenturyLink Drive
Monroe, Louisiana 71203

EFFECTIVE DATE:
March 1, 2011

ACCESS SERVICE

14. Special Construction

14.1 General

This section contains regulations, rates, charges and liabilities applicable for the special construction of interstate facilities.

When special construction of facilities is required, the provisions of this tariff apply in addition to all regulations, rates and charges set forth in the appropriate service section of this tariff.

ISSUE DATE:
February 28, 2011

Issued Under Transmittal No. 1
Vice President-Regulatory Operations
100 CenturyLink Drive
Monroe, Louisiana 71203

EFFECTIVE DATE:
March 1, 2011

ACCESS SERVICE

14. Special Construction (Cont'd)

14.2 Regulations

14.2.1 Filing of Charges

Rates, charges and liabilities for special construction to provide facilities for use for one month or more are filed in Section 14.3 following, as appropriate.

Rates, charges and liabilities for the construction of facilities for use for less than one month are filed in supplements to this tariff.

14.2.2 Ownership of Facilities

The Telephone Company providing specially constructed facilities under the provisions of this tariff retains ownership of all such facilities.

14.2.3 Interval to Provide Facilities

Based on available information and the type of service ordered, the Telephone Company will establish a completion date for the specially constructed facilities. If the scheduled completion date cannot be met due to circumstances beyond the control of the Telephone Company, a new completion date will be established and the customer will be notified.

ISSUE DATE:
February 28, 2011

Issued Under Transmittal No. 1
Vice President-Regulatory Operations
100 CenturyLink Drive
Monroe, Louisiana 71203

EFFECTIVE DATE:
March 1, 2011

ACCESS SERVICE

14. Special Construction (Cont'd)14.2 Regulations (Cont'd)14.2.4 Special Construction Involving Both Interstate and Intrastate Facilities

When special construction involves facilities to be used to provide both interstate and intrastate services, charges for the portion of the construction used to provide interstate service shall be in accordance with this tariff. Charges for the portion of the construction used to provide intrastate service shall be in accordance with the appropriate intrastate tariff.

14.2.5 Payments for Special Construction(A) Payment of Charges

All bills associated with special construction charges are due in accordance with the regulations in the appropriate service section of this tariff.

(B) Start/End of Billing

Billing of recurring charges for specially constructed facilities starts on the day after the facilities are made available for use. Billing accrues through and includes the day that the specially constructed facilities are discontinued.

ISSUE DATE:
February 28, 2011

Issued Under Transmittal No. 1
Vice President-Regulatory Operations
100 CenturyLink Drive
Monroe, Louisiana 71203

EFFECTIVE DATE:
March 1, 2011

ACCESS SERVICE

14. Special Construction (Cont'd)14.2 Regulations (Cont'd)14.2.5 Payments for Special Construction (Cont'd)(C) Credit Allowance for Service Interruptions

In the event of a service interruption involving a specially constructed facility, the customer shall receive a recurring monthly charge credit in accordance with the credit allowance provisions in the appropriate service section of this tariff associated with the affected services.

When an interruption continues due to the failure of the customer to authorize the replacement of facilities subject to a Replacement Charge, as specified, in 14.2.6(D)(1)(d) following, the credit allowance will be terminated on the seventh calendar day after the Telephone Company has provided the customer with written notification of the need for replacement. The credit allowance will resume on the day after the Telephone Company receives written authorization for the replacement from the customer.

14.2.6 Liabilities and Charges for Special Construction(A) General

This section describes the various charges and liabilities that may apply when the Telephone Company provides special construction of facilities in accordance with an order for service. Written approval of all liabilities and charges must be provided to the Telephone Company prior to the start of construction.

ISSUE DATE:
February 28, 2011

Issued Under Transmittal No. 1
Vice President-Regulatory Operations
100 CenturyLink Drive
Monroe, Louisiana 71203

EFFECTIVE DATE:
March 1, 2011

ACCESS SERVICE

14. Special Construction (Cont'd)

14.2 Regulations (Cont'd)

14.2.6 Liabilities and Charges for Special Construction (Cont'd)

(B) Conditions Requiring Special Construction

Special construction is required when 1) facilities are not available to meet an order for service, and 2) the Telephone Company constructs facilities, and 3) one or more of the following conditions exist:

- The Telephone Company has no other requirement for the facilities requested.
- It is requested that service be furnished using a type of facility, or via a route, other than that which the Telephone Company would normally utilize in furnishing the requested service.
- More facilities are requested than would normally be required to satisfy an order.
- It is requested that construction be expedited, resulting in added cost to the Telephone Company.

(C) Development of Liabilities and Charges

Special construction charges and liabilities will be developed based on estimated costs, except when actual costs are requested in writing prior to the start of special construction.

In order to meet a scheduled service date when actual costs are requested, an initial special construction filing may be based on estimated costs. Such a filing will be revised when actual costs are available.

ISSUE DATE:
February 28, 2011

Issued Under Transmittal No. 1
Vice President-Regulatory Operations
100 CenturyLink Drive
Monroe, Louisiana 71203

EFFECTIVE DATE:
March 1, 2011

ACCESS SERVICE

- 14. Special Construction (Cont'd)
- 14.2 Regulations (Cont'd)
- 14.2.6 Liabilities and Charges for Special Construction (Cont'd)
- (D) Types of Liabilities and Charges

Depending on the specifics associated with each individual case, one or more of the following special construction charges and/or liabilities may be applicable:

- (1) Nonrecurring Charge

A nonrecurring charge always applies and includes one or more of the following components:

- (a) Case Preparation Charge

A nonrecurring charge always includes a case preparation charge component to cover the administrative expenses associated with preparing a special construction case and the associated tariff filing.

ISSUE DATE:
February 28, 2011

Issued Under Transmittal No. 1
Vice President-Regulatory Operations
100 CenturyLink Drive
Monroe, Louisiana 71203

EFFECTIVE DATE:
March 1, 2011

ACCESS SERVICE

- 14. Special Construction (Cont'd)
- 14.2 Regulations (Cont'd)
- 14.2.6 Liabilities and Charges for Special Construction (Cont'd)
- (D) Types of Liabilities and Charges (Cont'd)
- (1) Nonrecurring Charge (Cont'd)
- (b) Expediting Charge

A nonrecurring charge may include an expediting charge when it is requested that special construction be completed on an expedited basis. The charge equals the difference in estimated cost between expedited and nonexpedited construction.

- (c) Optional Payment

An optional payment charge may be included in the nonrecurring charge in association with a type of facility or route other than that which the Telephone Company would normally use in furnishing the requested service if lower recurring monthly charges are desired for the specially constructed facilities. This charge is equal to the excess installed cost or the total nonrecoverable cost, whichever is less. This election must be made in writing before special construction starts. If this election is coupled with the actual cost option, the optional payment charge will reflect the actual cost of the specially constructed facilities.

ISSUE DATE:
February 28, 2011

Issued Under Transmittal No. 1
Vice President-Regulatory Operations
100 CenturyLink Drive
Monroe, Louisiana 71203

EFFECTIVE DATE:
March 1, 2011

ACCESS SERVICE

- 14. Special Construction (Cont'd)
- 14.2 Regulations (Cont'd)
- 14.2.6 Liabilities and Charges for Special Construction (Cont'd)
- (D) Types of Liabilities and Charges (Cont'd)
- (1) Nonrecurring Charge (Cont'd)
- (d) Replacement Charge

If any portion of specially constructed facilities for which an optional payment charge has been paid requires replacement involving capital investment, a replacement charge will apply. This charge will be in the same ratio to the total replacement cost as the initial optional payment charge was to the installed cost of the original specially constructed facilities. If any portion of the facilities subject to the replacement charge fails, service will not be restored until notification is provided in writing that replacement is required and such replacement is ordered.

- (e) Rearrangement Charge

If the Telephone Company is requested to rearrange existing specially constructed facilities, a nonrecurring charge equal to the cost of any additional special construction will apply.

ISSUE DATE:
February 28, 2011

Issued Under Transmittal No. 1
Vice President-Regulatory Operations
100 CenturyLink Drive
Monroe, Louisiana 71203

EFFECTIVE DATE:
March 1, 2011

ACCESS SERVICE

- 14. Special Construction (Cont'd)
- 14.2 Regulations (Cont'd)
- 14.2.6 Liabilities and Charges for Special Construction (Cont'd)
- (D) Types of Liabilities and Charges (Cont'd)
- (1) Nonrecurring Charge (Cont'd)
- (f) Special Construction of Facilities for Use for less than One Month

When the Telephone Company is requested to construct facilities to provide service for less than one month, a nonrecurring charge only applies. In addition to the case preparation charge component, this nonrecurring charge recovers all elements of cost, including engineering, shipping of equipment, equipment installation, line-up, equipment leasing, space rental, equipment removal, and any other costs associated with the construction of the facilities.

(2) Maximum Termination Liability and Termination Charge

A Maximum Termination Liability is equal to the nonrecoverable costs associated with specially constructed facilities and is the maximum amount which could be applied as a Termination Charge if all specially constructed facilities were discontinued before the Maximum Termination Liability expires.

ISSUE DATE:
February 28, 2011

Issued Under Transmittal No. 1
Vice President-Regulatory Operations
100 CenturyLink Drive
Monroe, Louisiana 71203

EFFECTIVE DATE:
March 1, 2011

ACCESS SERVICE

- 14. Special Construction (Cont'd)
- 14.2 Regulations (Cont'd)
- 14.2.6 Liabilities and Charges for Special Construction (Cont'd)
- (D) Types of Liabilities and Charges (Cont'd)
- (2) Maximum Termination Liability and Termination Charge (Cont'd)

The liability period is equal to the average life of the account associated with the specially constructed facilities. The liability period is generally expressed in terms of an effective and expiration date.

The Maximum Termination Liability is filed with the initial tariff filing in decreasing amounts at ten-year intervals over the average account life of the facilities. In the event that the average account life of the facilities is not an even multiple of ten, the last increment will reflect the appropriate number of years remaining.

Example Illustrating a 27-Year Average Account Life

<u>Maximum Termination</u> <u>Liability</u>	<u>Effective</u> <u>Date</u>	<u>Expiration</u> <u>ate</u>	D
\$10,000	6/1/84	6/1/94	
7,000	6/1/94	6/1/04	
3,000	6/1/04	6/1/11	

ISSUE DATE:
February 28, 2011

Issued Under Transmittal No. 1
Vice President-Regulatory Operations
100 CenturyLink Drive
Monroe, Louisiana 71203

EFFECTIVE DATE:
March 1, 2011

ACCESS SERVICE

- 14. Special Construction (Cont'd)
- 14.2 Regulations (Cont'd)
- 14.2.6 Liabilities and Charges for Special Construction (Cont'd)
- (D) Types of Liabilities and Charges (Cont'd)
- (2) Maximum Termination Liability and Termination Charge (Cont'd)

Prior to the expiration of each liability period, the customer has the option to (A) terminate the special construction case and pay the appropriate charges, or (B) extend the use of the specially constructed facilities for the new liability period.

The Telephone Company will notify the customer six months in advance of the expiration date of each ten-year liability period. The customer must provide the Telephone Company with written notification at least 30 days prior to the expiration of the liability period if termination is elected. Failure to do so will result in an automatic extension of the special construction case to the next liability period at the filed Maximum Termination Liability amount.

ISSUE DATE:
February 28, 2011

Issued Under Transmittal No. 1
Vice President-Regulatory Operations
100 CenturyLink Drive
Monroe, Louisiana 71203

EFFECTIVE DATE:
March 1, 2011

ACCESS SERVICE

- 14. Special Construction (Cont'd)
- 14.2 Regulations (Cont'd)
- 14.2.6 Liabilities and Charges for Special Construction (Cont'd)
- (D) Types of Liabilities and Charges (Cont'd)
- (2) Maximum Termination Liability and Termination Charge (Cont'd)

A Termination Charge may apply when all services using specially constructed facilities which have a tariffed Maximum Termination Liability are discontinued prior to the expiration of the liability period. The charge reflects the unamortized portion of the nonrecoverable costs at the time of termination, adjusted for net salvage and possible reuse. Administrative costs associated with the specific case of special construction and any cost for restoring a location to its original condition are also included. A Termination Charge may never exceed the filed Maximum Termination Liability.

A partial termination of specially constructed facilities will be provided, at the election of the customer. The amount of the Termination Charge associated with such partial termination is determined by multiplying the termination charge which would result if all services using the specially constructed facilities were discontinued, at the time partial termination is elected, by the percentage of specially constructed facilities to be partially terminated. A tariff filing will be made following a partial termination to list remaining Maximum Termination Liability amounts and the number of specially constructed facilities the customer will remain liable for.

ISSUE DATE:
February 28, 2011

Issued Under Transmittal No. 1
Vice President-Regulatory Operations
100 CenturyLink Drive
Monroe, Louisiana 71203

EFFECTIVE DATE:
March 1, 2011

ACCESS SERVICE

- 14. Special Construction (Cont'd)
- 14.2 Regulations (Cont'd)
- 14.2.6 Liabilities and Charges for Special Construction (Cont'd)
- (D) Types of Liabilities and Charges (Cont'd)
- (2) Maximum Termination Liability and Termination Charge (Cont'd)

Example

A customer with a filed Maximum Termination Liability of \$100,000 for 3600 specially constructed facilities requests a partial termination of 900 facilities. The Termination Charge for all facilities, at the time of election, is \$60,000. The partial termination charge, in this example, is \$60,000 x 900/3600, or \$15,000.

- (3) Annual Underutilization Liability and Underutilization Charge

Prior to the start of special construction, the Telephone Company and the customer will agree on (1) the quantity of facilities to be provided, and (2) the length of the planning period during which the customer expects to place the facilities in service. The planning period is hereinafter referred to as the Initial Liability Period (ILP). The ILP is listed in the tariff with an effective and expiration date.

Underutilization occurs only if, at the expiration date of the ILP and annually thereafter, less than 70 percent of the specially constructed facilities are in service at filed tariff service rates.

ISSUE DATE:
February 28, 2011

Issued Under Transmittal No. 1
Vice President-Regulatory Operations
100 CenturyLink Drive
Monroe, Louisiana 71203

EFFECTIVE DATE:
March 1, 2011

ACCESS SERVICE

- 14 Special Construction (Cont'd)
- 14.2 Regulations (Cont'd)
- 14.2.6 Liabilities and Charges for Special Construction (Cont'd)
- (D) Types of Liabilities and Charges (Cont'd)
- (3) Annual Underutilization Liability and Underutilization Charge (Cont'd)

An annual underutilization liability amount is filed on a per unit basis (e.g., per cable pair) for each case of special construction. This amount is equal to the annual per unit cost and includes depreciation, maintenance, administration, return, taxes and any other costs identified in the supporting documentation provided at the time the special construction case is filed.

Upon the expiration of the ILP, the number of underutilized facilities, if any, are multiplied by the annual under-utilization liability amount. This product is then multiplied by the number of years (including any fraction thereof) in the ILP to determine the underutilization charge.

Annually thereafter, the number of underutilized facilities, if any, existing on the anniversary of the ILP expiration date will be multiplied by the annual under utilization liability amount to determine the underutilization charge for the preceding 12 month period.

ISSUE DATE:
February 28, 2011

Issued Under Transmittal No. 1
Vice President-Regulatory Operations
100 CenturyLink Drive
Monroe, Louisiana 71203

EFFECTIVE DATE:
March 1, 2011

ACCESS SERVICE

- 14. Special Construction (Cont'd)
- 14.2 Regulations (Cont'd)
- 14.2.6 Liabilities and Charges for Special Construction (Cont'd)
- (D) Types of Liabilities and Charges (Cont'd)
- (3) Annual Underutilization Liability and Underutilization Charge (Cont'd)

Example

A customer orders 100 services and the special construction of a 600 pair building riser cable is agreed to, based on the customer's 5 year facility requirements. The ILP, in this example, would be filed at 5 years. The annual underutilization liability is filed at \$2.00 per pair. If 400 pairs were in service at the end of the ILP, there would be an underutilization of 20 pairs, i.e., $420 (70\% \text{ of } 600) - 400 = 20$. The total underutilization charge for the first 5 years would be \$200.00, or \$2.00 per pair x 20 pairs x 5 years.

If 420 pairs are in service at the end of the 6th year, there is no underutilization, i.e., $420 - 420 = 0$.

ISSUE DATE:
February 28, 2011

Issued Under Transmittal No. 1
Vice President-Regulatory Operations
100 CenturyLink Drive
Monroe, Louisiana 71203

EFFECTIVE DATE:
March 1, 2011

ACCESS SERVICE

- 14. Special Construction (Cont'd)
- 14.2 Regulations (Cont'd)
- 14.2.6 Liabilities and Charges for Special Construction (Cont'd)
- (D) Types of Liabilities and Charges (Cont'd)
- (4) Recurring Monthly Charges
- (a) Charge for Route or Type other than Normal

When special construction is requested using a route or type of facility other than that which the Telephone Company would normally use, a recurring monthly charge, in addition to the monthly rates for service, is applicable. The charge is equal to the difference between the recurring costs of the specially constructed facilities and the recurring costs of the facilities the Telephone Company would have normally used.

(i) When an Optional Payment Charge as set forth in 14.2.6.(D)(1)(c) preceding has been elected, the recurring monthly charge will be reduced to include specially constructed facility operating expenses only.

(ii) If the actual cost option as set forth in 14.2.6(C) preceding has been elected, the recurring charge will be adjusted to reflect the actual cost of the new construction when the costs have been determined. This adjusted recurring charge is applicable from the start of service.

ISSUE DATE:
February 28, 2011

Issued Under Transmittal No. 1
Vice President-Regulatory Operations
100 CenturyLink Drive
Monroe, Louisiana 71203

EFFECTIVE DATE:
March 1, 2011

ACCESS SERVICE

- 14. Special Construction (Cont'd)
- 14.2 Regulations (Cont'd)
- 14.2.6 Liabilities and Charges for Special Construction (Cont'd)
- (D) Types of Liabilities and Charges (Cont'd)
- (5) Lease Charge

This charge applies when the Telephone Company leases equipment in order to meet service requirements. The amount of the charge is equal to the net added cost to the Telephone Company caused by the lease.

- (6) Cancellation Charge

If a service order with which special construction is associated is cancelled prior to the start of service, a cancellation charge will apply. The charge will include all nonrecoverable costs incurred by the Telephone Company in association with the special construction up to and including the time of cancellation.

ISSUE DATE:
February 28, 2011

Issued Under Transmittal No. 1
Vice President-Regulatory Operations
100 CenturyLink Drive
Monroe, Louisiana 71203

EFFECTIVE DATE:
March 1, 2011

ACCESS SERVICE

14. Special Construction (Cont'd)

14.2 Regulations (Cont'd)

14.2.6 Liabilities and Charges for Special Construction (Cont'd)

(E) Cell Site Backhaul Service (CSBH)

Special construction charges associated with the delivery of CSBH service are outlined below. The customer must have a minimum of 1,700 sites within the Telephone Company service area to qualify.

(1) The Telephone Company will waive charges for special construction cost for those cell sites requiring less than \$75,000.00 of special construction costs.

(2) For customer sites with special construction costs equal to or greater than \$75,000.00 and less than \$100,000.00, the Telephone Company will charge the customer a portion of the special construction costs in the amount of \$20,000.00 per cell site to contribute to the total amount of special construction charges. These charges will be filed in Section 14.3.2 following.

(3) For customer sites with special construction costs equal to or greater than \$100,000.00, charges for special construction costs will be determined on an Individual Case Basis (ICB) as agreed to by the Telephone Company and the customer, and such charges will be filed in Section 14.3.2 following.

(4) The Telephone Company will not charge the customer any special construction costs for the installation of service at a service hand-off location.

The application of special construction charges outlined above will apply to special access Ethernet Virtual Private Line service under a seven (7) year Fixed Rate Term Plan as set forth in 7.4.20 preceding.

(N)

(N)

ISSUE DATE:
July xx, 2011

Issued Under Transmittal No. xx
Vice President-Regulatory Operations
100 CenturyLink Drive
Monroe, Louisiana 71203

EFFECTIVE DATE:
July yy, 2011

ACCESS SERVICE

- 14. Special Construction (Cont'd)
- 14.2 Regulations (Cont'd)
- 14.2.6 Liabilities and Charges for Special Construction (Cont'd)
- (E) Cell Site Backhaul Service (CSBH)

The customer agrees to purchase CSBH service for all cell site locations in the CSBH service area, between each cell site in the CSBH service area and its associated service hand-off location, provided such service hand-off location is a qualified service hand-off location. The service hand-off location must be located within the Telephone Company serving area or another Telephone Company service area if service is provided between such serving areas by interoffice facilities. When such cell site and service hand-off locations are both located in CSBH service areas, the service hand-off location will be deemed a "qualified" service hand-off location.

(N)

(N)

ISSUE DATE:
July xx, 2011

Issued Under Transmittal No. xx
Vice President-Regulatory Operations
100 CenturyLink Drive
Monroe, Louisiana 71203

EFFECTIVE DATE:
July yy, 2011

ACCESS SERVICE

14. Special Construction (Cont'd)14.2 Regulations (Cont'd)14.2.7 Deferral of Start of Service

The Telephone Company may be requested to defer the start of service which will use specially constructed facilities subject to the provisions set forth in the service section of this tariff under which service is being provided. Requests for special construction deferral must be in writing and are subject to the following regulations:

(A) Construction Has Not Begun

If the Telephone Company has not incurred any installation costs before receiving a request for deferral, no charge applies.

(B) Construction Has Begun

If the construction of facilities has begun before the Telephone Company receives a request for deferral, charges will vary as follows:

(1) All Services Are Deferred

When all services which will use specially constructed facilities are deferred, a charge based on the costs incurred by the Telephone Company during each month of the deferral will apply. Those costs include the recurring costs for that portion of the facilities already completed and any other costs associated with the deferral. The cost of any components of the nonrecurring charge which have been completed at the time of deferral will also apply.

ISSUE DATE:
February 28, 2011

Issued Under Transmittal No. 1
Vice President-Regulatory Operations
100 CenturyLink Drive
Monroe, Louisiana 71203

EFFECTIVE DATE:
March 1, 2011

ACCESS SERVICE

- 14. Special Construction (Cont'd)
- 14.2 Regulations (Cont'd)
- 14.2.7 Deferral of Start of Service (Cont'd)
- (B) Construction Has Begun (Cont'd)
- (2) Some Services Are Deferred

When some services which will use the specially constructed facilities are deferred, the construction case will be completed and all special construction charges will apply.

- (C) Construction Complete

If the construction of facilities has been completed before the Telephone Company receives a request for deferral, all special construction charges will apply.

14.2.8 Definitions

Actual Cost - The term "Actual Cost" denotes all costs charged against a specific case of special construction, including any appropriate taxes.

Annual Underutilization Liability - The term "Annual Underutilization Liability" denotes a per unit amount which may be billed annually if fewer services are in use utilizing specially constructed facilities at filed tariff rates than were originally specially constructed.

Estimated Cost - The term "Estimated Cost" denotes all estimated costs that will be incurred in providing a specific case of special construction, including any appropriate taxes.

ISSUE DATE:
February 28, 2011

Issued Under Transmittal No. 1
Vice President-Regulatory Operations
100 CenturyLink Drive
Monroe, Louisiana 71203

EFFECTIVE DATE:
March 1, 2011

ACCESS SERVICE

14. Special Construction (Cont'd)14.2 Regulations (Cont'd)14.2.8 Definitions (Cont'd)

Facilities - The term "Facilities" denotes any cable, poles, conduit, microwave or carrier equipment, wire center distribution frames, central office switching equipment, etc., utilized to provide interstate services.

Initial Liability Period - The term "Initial Liability Period" denotes the initial planning period during which the customer expects to place specially constructed facilities in service.

Installed Cost - The term "Installed Cost" denotes the total investment (estimated or actual) required by the Telephone Company to provide specially constructed facilities.

Maximum Termination Liability - The term "Maximum Termination Liability" denotes the maximum amount which may be billed if all services using specially constructed facilities are terminated prior to the expiration of the Maximum Termination Liability Period.

Maximum Termination Liability Period - The term "Maximum Termination Liability Period" denotes the length of time for which a termination charge may apply if all services using specially constructed facilities are terminated.

Net Salvage - The term "Net Salvage" denotes the estimated scrap, sale, or trade-in value, less the estimated cost of removal. Cost of removal includes the costs of demolishing, tearing down, or otherwise disposing of the material and any other applicable costs. Since the cost of removal may exceed salvage value, net salvage may be negative.

ISSUE DATE:
February 28, 2011

Issued Under Transmittal No. 1
Vice President-Regulatory Operations
100 CenturyLink Drive
Monroe, Louisiana 71203

EFFECTIVE DATE:
March 1, 2011

ACCESS SERVICE

14. Special Construction (Cont'd)

14.2 Regulations (Cont'd)

14.2.8 Definitions (Cont'd)

Nonrecoverable Cost - The term "Nonrecoverable Cost" denotes the cost of specially constructed facilities for which the Telephone Company has no foreseeable use should the service be terminated.

Normal Construction - The term "Normal Construction" denotes all facilities the Telephone Company would normally use to provide service in the absence of a requirement for special construction.

Normal Cost - The term "Normal Cost" denotes the estimated cost to provide services using normal construction.

Permanent Facilities - The term "Permanent Facilities" denotes facilities providing service for one month or more.

Recoverable Cost - The term "Recoverable Cost" denotes the cost of the specially constructed facilities for which the Telephone Company has a foreseeable reuse, either in place or elsewhere, should the service be terminated.

Termination Charge - The term "Termination Charge" denotes the portion of the Maximum Termination Liability that is applied as a nonrecurring charge when all services are discontinued prior to the expiration of the specified liability period.

ISSUE DATE:
February 28, 2011

Issued Under Transmittal No. 1
Vice President-Regulatory Operations
100 CenturyLink Drive
Monroe, Louisiana 71203

EFFECTIVE DATE:
March 1, 2011

ACCESS SERVICE

14. Special Construction (Cont'd)

14.3 Rates and Charges

14.3.1 Charges to Provide Permanent Facilities to the Federal Government

This section contains special construction charges to provide permanent facilities to the Federal Government in accordance with this tariff. Charges are developed on an individual case basis and are filed following:

ISSUE DATE:
February 28, 2011

Issued Under Transmittal No. 1
Vice President-Regulatory Operations
100 CenturyLink Drive
Monroe, Louisiana 71203

EFFECTIVE DATE:
March 1, 2011

ACCESS SERVICE

14. Special Construction (Cont'd)14.3 Rates and Charges (Cont'd)14.3.2 Charges to Provide Permanent Facilities Other Than to the Federal Government

This section contains special construction charges to provide permanent facilities other than to the Federal Government in accordance with this tariff. Charges are developed on an individual case basis and are filed following:

FLORIDA

<u>Customer Name</u>	<u>Description</u>
US LEC 6801 Morrison Boulevard Charlotte, North Carolina 28211	Special construction charges for the installation of 500 feet of fiber optic cable for the provision of a DS3 facility from the 1st floor equipment room to the second floor telecom room at the customer's designated premises located at 1445 West State Road 434, Longwood, Florida.
ICB # 2004-SO-64ZGLW	
Nonrecurring Charge: Fiber Optic Cable and Taxes and Maintenance	\$1,641.50
<u>USOC</u>	FL195

ISSUE DATE:
February 28, 2011

Issued Under Transmittal No. 1
Vice President-Regulatory Operations
100 CenturyLink Drive
Monroe, Louisiana 71203

EFFECTIVE DATE:
March 1, 2011

ACCESS SERVICE

14. Special Construction (Cont'd)14.3 Rates and Charges (Cont'd)14.3.2 Charges to Provide Permanent Facilities Other Than to the Federal Government (Cont'd)FLORIDA (Cont'd)

<u>Customer Name</u>	<u>Description</u>
AT&T Wireless % Cingular Facility Analyst MO 2000 West Ameritech Center D Hoffman Estates, Illinois 60195 ICB # 2004-SO-64DPHF	Special construction charges for the installation of 2,000 feet of fiber optic cable for the provision of a DS3 facility between the Telephone Company's central office located at 4387 Lafayette, Marianna, Florida and the customer's designated premises located at 4340 Loblolly Drive, Marianna, Florida.
Monthly Recurring Rate: Fiber Optic Cable and Taxes and Maintenance	\$1,023.50
<u>USOC</u>	FL196
<u>Termination Liability:</u>	The minimum service period is 36 months. If the customer disconnects service prior to the end of the 36th month, termination liability charges equal to 100% of the remaining monthly payments for the 36 month term will apply.

ISSUE DATE:
February 28, 2011

Issued Under Transmittal No. 1
Vice President-Regulatory Operations
100 CenturyLink Drive
Monroe, Louisiana 71203

EFFECTIVE DATE:
March 1, 2011

ACCESS SERVICE

14. Special Construction (Cont'd)14.3 Rates and Charges (Cont'd)14.3.2 Charges to Provide Permanent Facilities Other Than to the Federal Government (Cont'd)FLORIDA (Cont'd)

<u>Customer Name</u>	<u>Description</u>
ITC Deltacom Communications, Inc. 206 West Ninth Street West Point, Georgia 31833 ICB# 1999-SO-48NQYD	Special construction charges for the installation of 225 feet of fiber optic cable for the provision of DS3 high capacity facilities between the Crestview central office located at 292 North Spring Street, Crestview, Florida and the customer's designated premises at 155 Alpine Road, Crestview, Florida.
Monthly Recurring Charge: Fiber Optic Cable	\$391.50
<u>USOC</u>	FL064
<u>Termination Liability:</u>	The minimum service period is 36 months. If the customer disconnects service prior to the end of the 36th month, termination liability charges equal to 100% of the remaining monthly payments for the 36 month term will apply
Monthly Recurring Charge: Taxes & Maintenance	\$43.99
<u>USOC</u>	FL065
<u>Termination Liability:</u>	The minimum service period is 36 months. At the end of the 36 month term, this charge will continue until the customer disconnects service.

ISSUE DATE:
February 28, 2011

Issued Under Transmittal No. 1
Vice President-Regulatory Operations
100 CenturyLink Drive
Monroe, Louisiana 71203

EFFECTIVE DATE:
March 1, 2011

ACCESS SERVICE

14. Special Construction (Cont'd)14.3 Rates and Charges (Cont'd)14.3.2 Charges to Provide Permanent Facilities Other Than to the Federal Government (Cont'd)FLORIDA (Cont'd)

<u>Customer Name</u>	<u>Description</u>
IXC Communications 1122 Capital Texas Highway South Austin, Texas 78746 ICB # 1999-SO-46CJPP	Special construction charges for the installation of 8,400 feet of fiber optic cable for the provision of OptiPoint12 facilities between the Tallahassee central office located at 706 Mabry Street, Tallahassee, Florida and the customer's designated premises at 4900 Gum Road, Tallahassee, Florida.
Nonrecurring Charge:	\$3,145.92
Monthly Recurring Charge: Taxes & Maintenance	\$2.76
<u>USOC</u>	FL072
<u>Termination Liability:</u>	The minimum service period is one month. At the end of one month, the monthly recurring charge will continue until the customer disconnects service.

ISSUE DATE:
February 28, 2011

Issued Under Transmittal No. 1
Vice President-Regulatory Operations
100 CenturyLink Drive
Monroe, Louisiana 71203

EFFECTIVE DATE:
March 1, 2011

ACCESS SERVICE

14. Special Construction (Cont'd)14.3 Rates and Charges (Cont'd)14.3.2 Charges to Provide Permanent Facilities Other Than to the Federal Government (Cont'd)FLORIDA (Cont'd)

<u>Customer Name</u>	<u>Description</u>
US LEC 6801 Morrison Boulevard Charlotte, North Carolina 28211	Special construction charges for the installation of 500 feet of fiber optic cable for the provision of DS3 facilities between the Telephone Company central office located at 21860 Beaumont Road, Bonita Springs, Florida and the main equipment room of the customer's designated premises located at 24301 Walden Center Drive, Bonita Springs, Florida.
ICB # 2004-SO-5VUT6Z	
Nonrecurring Charge: Fiber Optic Cable and Taxes and Maintenance	\$2,736.50
<u>USOC</u>	FL187

ISSUE DATE:
February 28, 2011

Issued Under Transmittal No. 1
Vice President-Regulatory Operations
100 CenturyLink Drive
Monroe, Louisiana 71203

EFFECTIVE DATE:
March 1, 2011

ACCESS SERVICE

14. Special Construction (Cont'd)14.3 Rates and Charges (Cont'd)14.3.2 Charges to Provide Permanent Facilities Other Than to the Federal Government (Cont'd)FLORIDA (Cont'd)

<u>Customer Name</u>	<u>Description</u>
Powertel 1233 O.G. Skinner Drive West Point, Georgia 31833 ICB # 2001-SO-4TGKEQ	Special construction charges for the installation of 3,337 feet of fiber optic cable for the provision of an OC48 facility extending from the Telephone Company central office located at 132 North Calhoun Street, Tallahassee, Florida to the customer's designated premises located at 315 South Calhoun Street, Tallahassee, Florida.
Monthly Recurring Rate:	\$1,493.50
<u>USOC</u>	FL147
<u>Termination Liability:</u>	The minimum service period is 60 months. If the customer disconnects service prior to the end of the 60th month, termination liability charges equal to 100% of the remaining monthly payments for the 60 month term will apply.

ISSUE DATE:
February 28, 2011

Issued Under Transmittal No. 1
Vice President-Regulatory Operations
100 CenturyLink Drive
Monroe, Louisiana 71203

EFFECTIVE DATE:
March 1, 2011

ACCESS SERVICE

14. Special Construction (Cont'd)14.3 Rates and Charges (Cont'd)14.3.2 Charges to Provide Permanent Facilities Other Than to the Federal Government (Cont'd)FLORIDA (Cont'd)

<u>Customer Name</u>	<u>Description</u>
Cingular Wireless 1100 Abernathy Road Suite 318 Atlanta, Georgia 30328 ICB # 2001-SO-4VXQGX	Special construction charges for the installation of 1,866 feet of fiber optic cable for the provision of an OC12 facility from the Telephone Company central office located at 319 East Broadway, Ocala, Florida to the customer's designated premises located at 5312 SW 6th Place, Ocala, Florida.
Monthly Recurring Rate:	\$323.00
<u>USOC</u>	FL154
<u>Termination Liability:</u>	The minimum service period is 36 months. If the customer disconnects service prior to the end of the 36th month, termination liability charges equal to 100% of the remaining monthly payments for the 36 month term will apply.

ISSUE DATE:
February 28, 2011

Issued Under Transmittal No. 1
Vice President-Regulatory Operations
100 CenturyLink Drive
Monroe, Louisiana 71203

EFFECTIVE DATE:
March 1, 2011

ACCESS SERVICE

14. Special Construction (Cont'd)14.3 Rates and Charges (Cont'd)14.3.2 Charges to Provide Permanent Facilities Other Than to the Federal Government (Cont'd)

FLORIDA (Cont'd)

<u>Customer Name</u>	<u>Description</u>
Lightsource Telecomm 10805 Parkridge Boulevard Suite 150 Reston, Virginia 20191 ICB # 2001-SO-4X4MD9	Special construction charges for the installation of 1,930 feet of fiber optic cable and 2,200 feet of copper cable for the provision of a DS3 facility from the Telephone Company central office located at 123 Anywhere Street, Windermere, Florida to the customer's designated premises located at 11202 Via Andiamo, Windermere, Florida.
Nonrecurring Charge: Copper Cable and Taxes and Maintenance	\$2,931.00
Monthly Recurring Rate: Fiber Optic Cable and Taxes and Maintenance	\$471.00
<u>USOC</u>	FL155
<u>Termination Liability:</u>	The minimum service period is 60 months. If the customer disconnects service prior to the end of the 60th month, termination liability charges equal to 100% of the remaining monthly payments for the 60 month term will apply.

ISSUE DATE:
February 28, 2011

Issued Under Transmittal No. 1
Vice President-Regulatory Operations
100 CenturyLink Drive
Monroe, Louisiana 71203

EFFECTIVE DATE:
March 1, 2011

ACCESS SERVICE

14. Special Construction (Cont'd)14.3 Rates and Charges (Cont'd)14.3.2 Charges to Provide Permanent Facilities Other Than to the Federal Government (Cont'd)FLORIDA (Cont'd)

<u>Customer Name</u>	<u>Description</u>
Sprint LD KSOPHL0412-4A412 6500 Sprint Parkway Overland Park, Kansas 66251 ICB # 2002-SO-5EJF7Q	Special construction charges for the installation of 9,700 feet of fiber optic cable for the provision of a DS3 facility from the Telephone Company central office located at 4387 Lafayette Street, Marianna, Florida to the customer's designated premises located at 2800 Highway 71 North, Marianna, Florida.
Nonrecurring Charge: Fiber Optic Cable and Taxes and Maintenance	\$42,267.00
<u>USOC</u>	FL096

ISSUE DATE:
February 28, 2011

Issued Under Transmittal No. 1
Vice President-Regulatory Operations
100 CenturyLink Drive
Monroe, Louisiana 71203

EFFECTIVE DATE:
March 1, 2011

ACCESS SERVICE

14. Special Construction (Cont'd)14.3 Rates and Charges (Cont'd)14.3.2 Charges to Provide Permanent Facilities Other Than to the Federal Government (Cont'd)FLORIDA (Cont'd)

<u>Customer Name</u>	<u>Description</u>
Williams Communications ATTN: Telco Cost P.O. Box 22102 MD TC7N Tulsa, Oklahoma 74121-2102 ICB # 2002-SO-5DULES	Special construction charges for the installation of 2,500 feet of fiber optic cable for the provision of an OC12 facility from US LEC's POP located at 1610 Royal Palm Avenue, Fort Myers, Florida to the customer's designated premises located at 1523 Searboard Street, Fort Myers, Florida.
Monthly Recurring Rate: Fiber Optic Cable and Taxes and Maintenance	\$529.00
<u>USOC</u>	FL097
<u>Termination Liability:</u>	The minimum service period is 60 months. If the customer disconnects service prior to the end of the 60th month, termination liability charges equal to 100% of the remaining monthly payments for the 60 month term will apply.

ISSUE DATE:
February 28, 2011

Issued Under Transmittal No. 1
Vice President-Regulatory Operations
100 CenturyLink Drive
Monroe, Louisiana 71203

EFFECTIVE DATE:
March 1, 2011

ACCESS SERVICE

14. Special Construction (Cont'd)14.3 Rates and Charges (Cont'd)14.3.2 Charges to Provide Permanent Facilities Other Than to the Federal Government (Cont'd)FLORIDA (Cont'd)

<u>Customer Name</u>	<u>Description</u>
Qwest Communications Facility Cost Control 1801 California Street Denver, Colorado 80202 Attn: Scott Cissna ICB # 2004-SO-5W9QZ2	Special construction charges for the installation of 500 feet of fiber optic cable and specialized equipment for the provision of a DS3 facility from the main equipment room to the second floor data room of the customer's designated premises located at 1055 Saxon Boulevard, Orange City, Florida.
Nonrecurring Charge: Fiber Optic Cable; Specialized Equipment; and Taxes and Maintenance	\$24,989.00
<u>USOC</u>	FL188

ISSUE DATE:
February 28, 2011

Issued Under Transmittal No. 1
Vice President-Regulatory Operations
100 CenturyLink Drive
Monroe, Louisiana 71203

EFFECTIVE DATE:
March 1, 2011

ACCESS SERVICE

14. Special Construction (Cont'd)14.3 Rates and Charges (Cont'd)14.3.2 Charges to Provide Permanent Facilities Other Than to the Federal Government (Cont'd)FLORIDA (Cont'd)

<u>Customer Name</u>	<u>Description</u>
Cingular Wireless 1100 Abernathy Road Suite 318 Atlanta, Georgia 30328 ICB # 2001-SO-4ZZQ6V	Special construction charges for the installation of 75,200 feet of fiber optic cable in the provision of an OC12 facility from the Telephone Company's central office located at 319 East Broadway, Ocala, Florida and the customer's designated premises located at 5312 SW 6th Place, Ocala, Florida.
Monthly Recurring Rate:: Fiber Optic Cable and Taxes and Maintenance	\$536.00
<u>USOC</u>	FL164
<u>Termination Liability:</u>	The minimum service period is 36 months. If the customer disconnects service prior to the end of the 36th month, termination liability charges equal to 100% of the remaining monthly payments for the 36 month term will apply.

ISSUE DATE:
February 28, 2011

Issued Under Transmittal No. 1
Vice President-Regulatory Operations
100 CenturyLink Drive
Monroe, Louisiana 71203

EFFECTIVE DATE:
March 1, 2011

ACCESS SERVICE

14. Special Construction (Cont'd)14.3 Rates and Charges (Cont'd)14.3.2 Charges to Provide Permanent Facilities Other Than to the Federal Government (Cont'd)FLORIDA (Cont'd)

<u>Customer Name</u>	<u>Description</u>
Globa1 Star 461 South Milpitas Boulevard Building 5, Suites 1 & 2 Milpitas, California 95035 ICB# 2004-SO-64DR2X	Special construction charges for the installation of 1,070 feet of fiber optic cable in the provision of an OC3 facility from the Telephone Company's central office located at 140 Floral Drive, Spring Lake, Florida and the customer's designated premises located at 185 Sabre Drive, Building 735, Sebring, Florida.
Nonrecurring Charge: Fiber Optic Cable and Taxes and Maintenance	\$8,204.00
<u>USOC</u>	FL197

ISSUE DATE:
February 28, 2011

Issued Under Transmittal No. 1
Vice President-Regulatory Operations
100 CenturyLink Drive
Monroe, Louisiana 71203

EFFECTIVE DATE:
March 1, 2011

ACCESS SERVICE

14. Special Construction (Cont'd)14.3 Rates and Charges (Cont'd)14.3.2 Charges to Provide Permanent Facilities Other Than to the Federal Government (Cont'd)FLORIDA (Cont'd)

<u>Customer Name</u>	<u>Description</u>
Qwest 3960 20th Place SW Naples, Florida 34116 ICB # 2001-SO-52FPNP	Special construction charges for the installation of 3,200 feet of fiber optic cable in the provision of an OC48 facility from the Telephone Company's central office located at 4661 Sunset Boulevard, Golden Gate, Florida to the customer's designated premises located at 3960 20th Place SW, Naples, Florida.
Monthly Recurring Rate:: Fiber Optic Cable and Taxes and Maintenance	\$332.00
<u>USOC</u>	FL174
<u>Termination Liability:</u>	The minimum service period is 60 months. If the customer disconnects service prior to the end of the 60th month, termination liability charges equal to 100% of the remaining monthly payments for the 60 month term will apply.

ISSUE DATE:
February 28, 2011

Issued Under Transmittal No. 1
Vice President-Regulatory Operations
100 CenturyLink Drive
Monroe, Louisiana 71203

EFFECTIVE DATE:
March 1, 2011

ACCESS SERVICE

14. Special Construction (Cont'd)14.3 Rates and Charges (Cont'd)14.3.2 Charges to Provide Permanent Facilities Other Than to the Federal Government (Cont'd)FLORIDA (Cont'd)

<u>Customer Name</u>	<u>Description</u>
Qwest 3960 20th Place SW Naples, Florida 34116 ICB # 2002-SO-56PPSY	Special construction charges for the installation of 500 feet of fiber optic cable in the provision of an OC48 facility from the Telephone Company's central office located at 990 North 26th Avenue, Naples, Florida and the customer's designated premises located at 3960 20th Place SW, Naples, Florida.
Monthly Recurring Rate:: Fiber Optic Cable and Taxes and Maintenance	\$280.00
<u>USOC</u>	FL175
<u>Termination Liability:</u>	The minimum service period is 60 months. If the customer disconnects service prior to the end of the 60th month, termination liability charges equal to 100% of the remaining monthly payments for the 60 month term will apply.

ISSUE DATE:
February 28, 2011

Issued Under Transmittal No. 1
Vice President-Regulatory Operations
100 CenturyLink Drive
Monroe, Louisiana 71203

EFFECTIVE DATE:
March 1, 2011

ACCESS SERVICE

14. Special Construction (Cont'd)14.3 Rates and Charges (Cont'd)14.3.2 Charges to Provide Permanent Facilities Other Than to the Federal Government (Cont'd)FLORIDA (Cont'd)

<u>Customer Name</u>	<u>Description</u>
US LEC 6801 Morrison Boulevard Morrocroft III Charlotte, North Carolina 28211	Special construction charges for the installation of 985 feet of fiber optic cable in the provision of a DS3 facility from the Telephone Company's central office located at 140 Floral Drive, Spring Lake, Florida and the customer's designated premises located at 495 State Road 436, Altamonte Springs, Florida.
ICB # 2005-SO-6A2LSU	
Nonrecurring Charge: Fiber Optic Cable and Taxes and Maintenance	\$9,612.00
<u>USOC</u>	FL198

ISSUE DATE:
February 28, 2011

Issued Under Transmittal No. 1
Vice President-Regulatory Operations
100 CenturyLink Drive
Monroe, Louisiana 71203

EFFECTIVE DATE:
March 1, 2011

ACCESS SERVICE

14. Special Construction (Cont'd)14.3 Rates and Charges (Cont'd)14.3.2 Charges to Provide Permanent Facilities Other Than to the Federal Government (Cont'd)

FLORIDA (Cont'd)

<u>Customer Name</u>	<u>Description</u>
US Lec 6801 Morrison Boulevard Charlotte, North Carolina 28211 ICB # 2006-SO-6T7GQA	Special construction charges for the installation of 1,357 feet of fiber optic cable in the provision of a DS3 facility from the Telephone Company's central office located at 7461 Winkler Road, Cypress Lake, Florida and the customer's designated premises located at 15300 Lakes of Laguna Boulevard, Cypress Lake, Florida.
Monthly Recurring Rate:: Fiber Optic Cable and Taxes and Maintenance	\$410.00
<u>USOC</u>	FL214
<u>Termination Liability:</u>	The minimum service period is 36 months. If the customer disconnects service prior to the end of the 36th month, termination liability charges equal to 100% of the remaining monthly payments for the 36 month term will apply.

ISSUE DATE:
February 28, 2011

Issued Under Transmittal No. 1
Vice President-Regulatory Operations
100 CenturyLink Drive
Monroe, Louisiana 71203

EFFECTIVE DATE:
March 1, 2011

ACCESS SERVICE

14. Special Construction (Cont'd)14.3 Rates and Charges (Cont'd)14.3.2 Charges to Provide Permanent Facilities Other Than to the Federal Government (Cont'd)FLORIDA (Cont'd)

<u>Customer Name</u>	<u>Description</u>
Comcast Phone of Florida Inverness Drive Englewood, Colorado 80112 ICB # 2005-SO-6ASMHD	Special construction charges for the installation of 9,406 feet of fiber optic cable in the provision of a DS3 facility from the Telephone Company's central office located at 28160 Beaumont Road, Bonita Springs, Florida and the customer's designated premises located at 26012 Bonita Grande Drive, Bonita Springs, Florida.
Monthly Recurring Charge: Fiber Optic Cable and Taxes and Maintenance	\$1,170.00
<u>USOC</u>	FL200
<u>Termination Liability:</u>	The minimum service period is 60 months. If the customer disconnects service prior to the end of the 60th month, termination liability charges equal to 100% of the remaining monthly payments for the 60 month term will apply.

ISSUE DATE:
February 28, 2011

Issued Under Transmittal No. 1
Vice President-Regulatory Operations
100 CenturyLink Drive
Monroe, Louisiana 71203

EFFECTIVE DATE:
March 1, 2011

ACCESS SERVICE

14. Special Construction (Cont'd)14.3 Rates and Charges (Cont'd)14.3.2 Charges to Provide Permanent Facilities Other Than to the Federal Government (Cont'd)

FLORIDA (Cont'd)

<u>Customer Name</u>	<u>Description</u>
Sprint GMG 6500 Sprint Parkway Overland Park, Kansas 66251 ICB # 2005-SO-69XR2Q	Special construction charges for the installation of 1,100 feet of fiber optic cable in the provision of a DS3 facility from the Telephone Company's central office located at 28169 Beaumont Road, Bonita Springs, Florida and the customer's designated premises located at 27500 Riverview Center Boulevard, Fourth Floor Comp Room, Bonita Springs, Florida.
Nonrecurring Charge: Fiber Optic Cable and Taxes and Maintenance	\$16,728.25
<u>USOC</u>	FL201

ISSUE DATE:
February 28, 2011

Issued Under Transmittal No. 1
Vice President-Regulatory Operations
100 CenturyLink Drive
Monroe, Louisiana 71203

EFFECTIVE DATE:
March 1, 2011

ACCESS SERVICE

14. Special Construction (Cont'd)14.3 Rates and Charges (Cont'd)14.3.2 Charges to Provide Permanent Facilities Other Than to the Federal Government (Cont'd)

FLORIDA (Cont'd)

<u>Customer Name</u>	<u>Description</u>
US LEC 6801 Morrison Boulevard Charlotte, North Carolina 28211 ICB # 2005-SO-6BPGT7	Special construction charges for the installation of copper doubler equipment for the provision of a DS3 facility from the Telephone Company's central office located at 3080 Vineland Road, Kissimmee, Florida and the customer's designated premises located at 8101 World Center Drive, Orlando, Florida.
Monthly Recurring Rate: Copper Doubler Equipment and Taxes and Maintenance	\$100.00
<u>USOC</u>	FL202
<u>Termination Liability:</u>	The minimum service period is 36 months. If the customer disconnects service prior to the end of the 36th month, termination liability charges equal to 100% of the remaining monthly payments for the 36 month term will apply.

ISSUE DATE:
February 28, 2011

Issued Under Transmittal No. 1
Vice President-Regulatory Operations
100 CenturyLink Drive
Monroe, Louisiana 71203

EFFECTIVE DATE:
March 1, 2011

ACCESS SERVICE

14. Special Construction (Cont'd)14.3 Rates and Charges (Cont'd)14.3.2 Charges to Provide Permanent Facilities Other Than to the Federal Government (Cont'd)

FLORIDA (Cont'd)

<u>Customer Name</u>	<u>Description</u>
Sprint LDD 9350 Metcalf Avenue Overland Park, Kansas 66212 ICB # 2005-SO-6FESJ4	Special construction charges for the installation of 1,200 feet of fiber optic cable for the provision of a DS3 facility from the Telephone Company's central office located at 418 Broadway, Kissimmee, Florida and the customer's designated premises located at 12120 International Drive, Kissimmee, Florida.
Monthly Recurring Rate: Fiber Optic Cable and Taxes and Maintenance	\$446.00
<u>USOC</u>	FL205
<u>Termination Liability:</u>	The minimum service period is 36 months. If the customer disconnects service prior to the end of the 36th month, termination liability charges equal to 100% of the remaining monthly payments for the 36 month term will apply.

ISSUE DATE:
February 28, 2011

Issued Under Transmittal No. 1
Vice President-Regulatory Operations
100 CenturyLink Drive
Monroe, Louisiana 71203

EFFECTIVE DATE:
March 1, 2011

ACCESS SERVICE

14. Special Construction (Cont'd)
- 14.3 Rates and Charges (Cont'd)
- 14.3.2 Charges to Provide Permanent Facilities Other Than to the Federal Government (Cont'd)

FLORIDA (Cont'd)

<u>Customer Name</u>	<u>Description</u>
Sprint-Nextel 6360 Sprint Parkway Overland Park, Kansas 66251 ICB # 2006-SO-6TJJVJ	Special construction charges for the installation of 10,000 feet of fiber optic cable for the provision of a DS1 facility from the Telephone Company's central office located at 35 NE 5th Street, Crystal River, Florida and the customer's cell site located at 1410 Powerline Road, Crystal River, Florida.
Nonrecurring Charge: Fiber Optic Cable and Taxes and Maintenance	\$34,315.00
<u>USOC</u>	FL212

ISSUE DATE:
February 28, 2011

Issued Under Transmittal No. 1
Vice President-Regulatory Operations
100 CenturyLink Drive
Monroe, Louisiana 71203

EFFECTIVE DATE:
March 1, 2011

ACCESS SERVICE

14. Special Construction (Cont'd)14.3 Rates and Charges (Cont'd)14.3.2 Charges to Provide Permanent Facilities Other Than to the Federal Government (Cont'd)

FLORIDA (Cont'd)

<u>Customer Name</u>	<u>Description</u>
Alltel 2870 Evergreen Lane Marianna, Florida 32446 ICB # 2006-SO-6TUKBP	Special construction charges for the installation of 14,000 feet of fiber optic cable for the provision of a DS3 facility from the Telephone Company's central office located at 4387 Lafayette Street, Marianna, Florida and the customer's cell site located at 2870 Evergreen Lane, Marianna, Florida.
Nonrecurring Charge: Fiber Optic Cable and Taxes and Maintenance	\$54,000.00
<u>USOC</u>	FL215

ISSUE DATE:
February 28, 2011

Issued Under Transmittal No. 1
Vice President-Regulatory Operations
100 CenturyLink Drive
Monroe, Louisiana 71203

EFFECTIVE DATE:
March 1, 2011

ACCESS SERVICE

14. Special Construction (Cont'd)14.3 Rates and Charges (Cont'd)14.3.2 Charges to Provide Permanent Facilities Other Than to the Federal Government (Cont'd)FLORIDA (Cont'd)

<u>Customer Name</u>	<u>Description</u>
AT&T 300 North Point Parkway Alpharetta, Georgia 30005 ICB # 2007-SO-6YSLXV	Special construction charges for the installation of 200 feet of copper cable for the provision of a DS1 facility from the Telephone Company's central office located at 450 Sanford Avenue, Altamonte Springs, Florida and the customer's designated premises located at 1600 Orange Camp Road, Deland, Florida.
Nonrecurring Charge: Copper Cable and Taxes and Maintenance	\$6,356.00

ISSUE DATE:
February 28, 2011

Issued Under Transmittal No. 1
Vice President-Regulatory Operations
100 CenturyLink Drive
Monroe, Louisiana 71203

EFFECTIVE DATE:
March 1, 2011

ACCESS SERVICE

14. Special Construction (Cont'd)14.3 Rates and Charges (Cont'd)14.3.2 Charges to Provide Permanent Facilities Other Than to the Federal Government (Cont'd)FLORIDA (Cont'd)

<u>Customer Name</u>	<u>Description</u>
Sprint PCS 6500 Sprint Parkway Overland Park, Kansas 66251 ICB # 2007-SO-6ZRNEG	Special construction charges for the installation of 19,000 feet of fiber optic cable for the provision of a DS1 facility from the Telephone Company's central office located at 5649 2nd Avenue, Immokalee, Florida and the customer's designated premises located at 20120 CR 846, Immokalee, Florida.
Monthly Recurring Rate: Fiber Optic Cable and Taxes and Maintenance	\$725.00
<u>USOC</u>	FL220
<u>Termination Liability:</u>	The minimum service period is 60 months. If the customer disconnects service prior to the end of the 60th month, termination liability charges equal to 100% of the remaining monthly payments for the 60 month term will apply.

ISSUE DATE:
February 28, 2011

Issued Under Transmittal No. 1
Vice President-Regulatory Operations
100 CenturyLink Drive
Monroe, Louisiana 71203

EFFECTIVE DATE:
March 1, 2011

ACCESS SERVICE

14. Special Construction (Cont'd)14.3 Rates and Charges (Cont'd)14.3.2 Charges to Provide Permanent Facilities Other Than to the Federal Government (Cont'd)FLORIDA (Cont'd)

<u>Customer Name</u>	<u>Description</u>
AT&T 1200 Peachtree Street Atlanta, Georgia 30309 ICB # 2007-SO-6RLQFX	Special construction charges for the installation of 13,000 feet of fiber optic cable for the provision of an OC12 facility from the Telephone Company's central office located at 319 SE Broadway Street, Ocala, Florida and the customer's designated premises located at 1417 North Magnolia Avenue, Ocala, Florida.
Nonrecurring Charge: Fiber Optic Cable and Taxes and Maintenance	\$15,293.00

ISSUE DATE:
February 28, 2011

Issued Under Transmittal No. 1
Vice President-Regulatory Operations
100 CenturyLink Drive
Monroe, Louisiana 71203

EFFECTIVE DATE:
March 1, 2011

ACCESS SERVICE

14. Special Construction (Cont'd)14.3 Rates and Charges (Cont'd)14.3.2 Charges to Provide Permanent Facilities Other Than to the Federal Government (Cont'd)FLORIDA (Cont'd)

<u>Customer Name</u>	<u>Description</u>
Verizon Wireless 12802 Tampa Oaks Boulevard Temple Terrace, Florida 33637 ICB # 2007-SO-6ZWL9Q	Special construction charges for the installation of 13,300 feet of fiber optic cable for the provision of a DS1 facility from the Telephone Company's central office located at 21 Pine Street, Lake Placid, Florida and the customer's designated premises located at 400 DC Bar Ranch Road, Lake Placid, Florida.
Nonrecurring Charge: Fiber Optic Cable and Taxes and Maintenance	\$25,056.00

ISSUE DATE:
February 28, 2011

Issued Under Transmittal No. 1
Vice President-Regulatory Operations
100 CenturyLink Drive
Monroe, Louisiana 71203

EFFECTIVE DATE:
March 1, 2011

ACCESS SERVICE

14. Special Construction (Cont'd)14.3 Rates and Charges (Cont'd)14.3.2 Charges to Provide Permanent Facilities Other Than to the Federal Government (Cont'd)FLORIDA (Cont'd)

<u>Customer Name</u>	<u>Description</u>
Sprint PCS 6500 Sprint Parkway Overland Park, Kansas 66251 ICB # 2007-SO-73XKHV	Special construction charges for the installation of 5,300 feet of fiber optic cable for the provision of a three DS1 facilities from the Telephone Company's central office located at 218 West Central Avenue, Howey-in-the-Hills, Florida and the customer's cell site located at 26149 Bloomfield Avenue, Yalaha, Florida.
Nonrecurring Charge: Fiber Optic Cable and Taxes and Maintenance	\$34,856.00

ISSUE DATE:
February 28, 2011

Issued Under Transmittal No. 1
Vice President-Regulatory Operations
100 CenturyLink Drive
Monroe, Louisiana 71203

EFFECTIVE DATE:
March 1, 2011

ACCESS SERVICE

14. Special Construction (Cont'd)14.3 Rates and Charges (Cont'd)14.3.2 Charges to Provide Permanent Facilities Other Than to the Federal Government (Cont'd)FLORIDA (Cont'd)

<u>Customer Name</u>	<u>Description</u>
Connexion Technologies 111 Corning Road, Suite 250 Cary, North Carolina 27511 ICB # 2007-SO-734L2X	Special construction charges for the installation of 5,000 feet of fiber optic cable for the provision of Ethernet Transport service from the Telephone Company's central office located at 3080 Vineland Road, Kissimmee, Florida and the customer's designated premises located at 2920 Westside Boulevard, Kissimmee, Florida.
Nonrecurring Charge: Fiber Optic Cable and Taxes and Maintenance	\$43,096.00

ISSUE DATE:
February 28, 2011

Issued Under Transmittal No. 1
Vice President-Regulatory Operations
100 CenturyLink Drive
Monroe, Louisiana 71203

EFFECTIVE DATE:
March 1, 2011

ACCESS SERVICE

14. Special Construction (Cont'd)14.3 Rates and Charges (Cont'd)14.3.2 Charges to Provide Permanent Facilities Other Than to the Federal Government (Cont'd)FLORIDA (Cont'd)

<u>Customer Name</u>	<u>Description</u>
Qwest 1801 California Street Denver, Colorado 80202 ICB # 2007-SO-75HP3Y	Special construction charges for the installation of 700 feet of fiber optic cable for the provision of a DS3 facility from the Telephone Company's central office located at 450 Sanford Avenue, Altamone Springs, Florida and the customer's designated premises located at 450 South Ronald Reagan Boulevard, Longwood, Florida.
Nonrecurring Charge: Fiber Optic Cable and Taxes and Maintenance	\$1,820.00

ISSUE DATE:
February 28, 2011

Issued Under Transmittal No. 1
Vice President-Regulatory Operations
100 CenturyLink Drive
Monroe, Louisiana 71203

EFFECTIVE DATE:
March 1, 2011

ACCESS SERVICE

14. Special Construction (Cont'd)14.3 Rates and Charges (Cont'd)14.3.2 Charges to Provide Permanent Facilities Other Than to the Federal Government (Cont'd)FLORIDA (Cont'd)

<u>Customer Name</u>	<u>Description</u>
Sprint Nextel 6500 Sprint Parkway Overland Park, Kansas 66251 ICB # 2007-SO-72RHB6	Special construction charges for the installation of fiber optic cable and additional repeater equipment for the provision of DS1 facilities from the Telephone Company's central office located at 130 South Ridgewood Drive, Sebring, Florida and the customer's designated premises located on Twitty Road, Sebring, Florida.
Nonrecurring Charge: Fiber Optic Cable/Repeaters and Taxes and Maintenance	\$63,327.00

ISSUE DATE:
February 28, 2011

Issued Under Transmittal No. 1
Vice President-Regulatory Operations
100 CenturyLink Drive
Monroe, Louisiana 71203

EFFECTIVE DATE:
March 1, 2011

ACCESS SERVICE

14. Special Construction (Cont'd)14.3 Rates and Charges (Cont'd)14.3.2 Charges to Provide Permanent Facilities Other Than to the Federal Government (Cont'd)FLORIDA (Cont'd)

<u>Customer Name</u>	<u>Description</u>
Sprint Nextel 6500 Sprint Parkway Overland Park, Kansas 66251 ICB # 2007-SO-73PHL6	Special construction charges for the installation of 2,700 feet of fiber optic cable for the provision of a DS3 facility from the Telephone Company's central office located at 418 Broadway, Kissimmee, Florida and the customer's designated premises located at 1500 Masters Boulevard, Davenport, Florida.
Nonrecurring Charge: Fiber Optic Cable and Taxes and Maintenance	\$14,288.00

ISSUE DATE:
February 28, 2011

Issued Under Transmittal No. 1
Vice President-Regulatory Operations
100 CenturyLink Drive
Monroe, Louisiana 71203

EFFECTIVE DATE:
March 1, 2011

ACCESS SERVICE

14. Special Construction (Cont'd)14.3 Rates and Charges (Cont'd)14.3.2 Charges to Provide Permanent Facilities Other Than to the Federal Government (Cont'd)FLORIDA (Cont'd)

<u>Customer Name</u>	<u>Description</u>
Connexion Technologies 111 Corning Road, Suite 250 Cary, North Carolina 27511 ICB # 2007-SO-734L2X	Special construction charges for the installation of 5,000 feet of fiber optic cable for the provision of Ethernet Transport service from the Telephone Company's central office located 3080 Vineland Road, Kissimmee, Florida and the customer's designated premises located at 2920 Westside Boulevard, Kissimmee, Florida.
Nonrecurring Charge: Fiber Optic Cable and Taxes and Maintenance	\$43,096.00

ISSUE DATE:
February 28, 2011

Issued Under Transmittal No. 1
Vice President-Regulatory Operations
100 CenturyLink Drive
Monroe, Louisiana 71203

EFFECTIVE DATE:
March 1, 2011

ACCESS SERVICE

14. Special Construction (Cont'd)14.3 Rates and Charges (Cont'd)14.3.2 Charges to Provide Permanent Facilities Other Than to the Federal Government (Cont'd)FLORIDA (Cont'd)

<u>Customer Name</u>	<u>Description</u>
Connexion Technologies 111 Corning Road, Suite 250 Cary, North Carolina 27511 ICB # 2007-SO-74JJK6	Special construction charges for the installation of 19,300 feet of fiber optic cable for the provision of Ethernet Transport service from the Telephone Company's central office located 501 Keller Road, Maitland, Florida and the customer's designated premises located at 14200 Avalon Road, Winter Garden, Florida.
Nonrecurring Charge: Fiber Optic Cable and Taxes and Maintenance	\$73,993.00

ISSUE DATE:
February 28, 2011

Issued Under Transmittal No. 1
Vice President-Regulatory Operations
100 CenturyLink Drive
Monroe, Louisiana 71203

EFFECTIVE DATE:
March 1, 2011

ACCESS SERVICE

14. Special Construction (Cont'd)14.3 Rates and Charges (Cont'd)14.3.2 Charges to Provide Permanent Facilities Other Than to the Federal Government (Cont'd)FLORIDA (Cont'd)

<u>Customer Name</u>	<u>Description</u>
AT&T 300 North Point Parkway Alpharetta, Georgia 30005 ICB # 2007-SO-763GVC	Special construction charges for the installation of 2,700 feet of fiber optic cable for the provision of a DS3 facility from the Telephone Company's central office located 3825 South Cleveland Avenue, Fort Myers, Florida and the customer's designated premises located at 23151 Fashion Drive, Estero, Florida.
Nonrecurring Charge: Fiber Optic Cable and Taxes and Maintenance	\$16,325.00

ISSUE DATE:
February 28, 2011

Issued Under Transmittal No. 1
Vice President-Regulatory Operations
100 CenturyLink Drive
Monroe, Louisiana 71203

EFFECTIVE DATE:
March 1, 2011

ACCESS SERVICE

14. Special Construction (Cont'd)14.3 Rates and Charges (Cont'd)14.3.2 Charges to Provide Permanent Facilities Other Than to the Federal Government (Cont'd)FLORIDA (Cont'd)

<u>Customer Name</u>	<u>Description</u>
AT&T 300 North Point Parkway Alpharetta, Georgia 30005 ICB # 2007-SO-75WQ39	Special construction charges for the installation of 1,700 feet of fiber optic cable for the provision of a DS3 facility from the Telephone Company's central office located 10201 Tamiami Trail, Naples, Florida and the customer's designated premises located at 5555 Tamiami Trail, Naples, Florida.
Nonrecurring Charge: Fiber Optic Cable and Taxes and Maintenance	\$4,721.00

ISSUE DATE:
February 28, 2011

Issued Under Transmittal No. 1
Vice President-Regulatory Operations
100 CenturyLink Drive
Monroe, Louisiana 71203

EFFECTIVE DATE:
March 1, 2011

ACCESS SERVICE

14. Special Construction (Cont'd)14.3 Rates and Charges (Cont'd)14.3.2 Charges to Provide Permanent Facilities Other Than to the Federal Government (Cont'd)FLORIDA (Cont'd)

<u>Customer Name</u>	<u>Description</u>
Qwest 1801 California Street Denver, Colorado 80202 ICB # 2007-SO-763QEZ	Special construction charges for the installation of 1,305 feet of copper cable for the provision of a DS1 facility from the Telephone Company's central office located 130 South Ridgewood Drive, Sebring, Florida and the customer's designated premises located at 1200 Stone Ridge Circle, Sebring, Florida.
Nonrecurring Charge: Copper Cable and Taxes and Maintenance	\$12,355.00

ISSUE DATE:
February 28, 2011

Issued Under Transmittal No. 1
Vice President-Regulatory Operations
100 CenturyLink Drive
Monroe, Louisiana 71203

EFFECTIVE DATE:
March 1, 2011

ACCESS SERVICE

14. Special Construction (Cont'd)14.3 Rates and Charges (Cont'd)14.3.2 Charges to Provide Permanent Facilities Other Than to the Federal Government (Cont'd)FLORIDA (Cont'd)

<u>Customer Name</u>	<u>Description</u>
Level 3 3300 SW 34th Avenue Ocala, Florida 34474 ICB # 2008-SO-7JXNB8	Special construction charges for the installation of 528 feet of fiber optic cable for the provision of a DS3 facility from the Telephone Company's central office located 2463 SW College Road, Ocala, Florida and the customer's designated premises located at 3300 SW 34th Avenue, Ocala, Florida.
Monthly Recurring Rate: Fiber Optic Cable and Taxes and Maintenance	\$65.00
<u>USOC</u>	FL225
<u>Termination Liability:</u>	The minimum service period is 36 months. If the customer disconnects service prior to the end of the 36th month, termination liability charges equal to 100% of the remaining monthly payments for the 36 month term will apply.

ISSUE DATE:
February 28, 2011

Issued Under Transmittal No. 1
Vice President-Regulatory Operations
100 CenturyLink Drive
Monroe, Louisiana 71203

EFFECTIVE DATE:
March 1, 2011

ACCESS SERVICE

14. Special Construction (Cont'd)
- 14.3 Rates and Charges (Cont'd)
- 14.3.2 Charges to Provide Permanent Facilities Other Than to the Federal Government (Cont'd)

FLORIDA (Cont'd)

<u>Customer Name</u>	<u>Description</u>
Verizon Wireless 12802 Tampa Oaks Boulevard Temple Terrace, Florida 33637 ICB # 2008-SO-7EKJ8P	Special construction charges for the installation of 200 feet of fiber optic cable for the provision of a DS1 facility from the Telephone Company's central office located 468 Broadway, Kissimmee, Florida and the customer's designated premises located at 8200 Osceola Polk Line Road, Davenport, Florida.
Nonrecurring Charge: Fiber Optic Cable and Taxes and Maintenance	\$915.00

ISSUE DATE:
February 28, 2011

Issued Under Transmittal No. 1
Vice President-Regulatory Operations
100 CenturyLink Drive
Monroe, Louisiana 71203

EFFECTIVE DATE:
March 1, 2011

ACCESS SERVICE

14. Special Construction (Cont'd)14.3 Rates and Charges (Cont'd)14.3.2 Charges to Provide Permanent Facilities Other Than to the Federal Government (Cont'd)FLORIDA (Cont'd)

<u>Customer Name</u>	<u>Description</u>
T-Mobile 12920 SE 38th Street Immokalee, Florida 98006 ICB # 2008-SO-7EST6X	Special construction charges for the installation of 8,000 feet of copper cable for the provision of a DS1 facility from the Telephone Company's central office located 1520 Lee Street, Fort Myers, Florida and the customer's designated premises located at 2424 Thorp Road, Immokalee, Florida.
Nonrecurring Charge: Copper Cable and Taxes and Maintenance	\$24,081.00

ISSUE DATE:
February 28, 2011

Issued Under Transmittal No. 1
Vice President-Regulatory Operations
100 CenturyLink Drive
Monroe, Louisiana 71203

EFFECTIVE DATE:
March 1, 2011

ACCESS SERVICE

14. Special Construction (Cont'd)14.3 Rates and Charges (Cont'd)14.3.2 Charges to Provide Permanent Facilities Other Than to the Federal Government (Cont'd)FLORIDA (Cont'd)

<u>Customer Name</u>	<u>Description</u>
Level 3 212 Orange Boulevard Lady Lake, Florida ICB # 2009-SO-7V2H2R	Special construction charges for the installation of 7,500 feet of fiber optic cable for the provision of a DS3 facility between the Telephone Company's central office located at 121 West Lady Lake Road, Lady Lake, Florida and the customer's designated premises located at 212 Orange Boulevard, Lady Lake, Florida.
Monthly Recurring Rate: Fiber Optic Cable and Taxes and Maintenance	\$2,275.00
<u>USOC</u>	FL247
<u>Termination Liability:</u>	The minimum service period is 36 months. If the customer disconnects service prior to the end of the 36th month, termination liability charges equal to 100% of the remaining monthly payments for the 36 month term will apply.

ISSUE DATE:
February 28, 2011

Issued Under Transmittal No. 1
Vice President-Regulatory Operations
100 CenturyLink Drive
Monroe, Louisiana 71203

EFFECTIVE DATE:
March 1, 2011

ACCESS SERVICE

14. Special Construction (Cont'd)14.3 Rates and Charges (Cont'd)14.3.2 Charges to Provide Permanent Facilities Other Than to the Federal Government (Cont'd)FLORIDA (Cont'd)

<u>Customer Name</u>	<u>Description</u>
Qwest Communications 950 6th Avenue N Naples, Florida 34102 ICB # 2009-SO-7XELPB	Special construction charges for the installation of 850 feet of fiber optic cable for the provision of a DS3 facility between the Telephone Company's central office located at 990 26th Avenue N, Naples, Florida and the customer's designated premises located at 950 6th Avenue N, Naples, Florida.
Nonrecurring Charge: Fiber Optic Cable and Taxes and Maintenance	\$6,081.00

ISSUE DATE:
February 28, 2011

Issued Under Transmittal No. 1
Vice President-Regulatory Operations
100 CenturyLink Drive
Monroe, Louisiana 71203

EFFECTIVE DATE:
March 1, 2011

ACCESS SERVICE

14. Special Construction (Cont'd)14.3 Rates and Charges (Cont'd)14.3.2 Charges to Provide Permanent Facilities Other Than to the Federal Government (Cont'd)FLORIDA (Cont'd)

<u>Customer Name</u>	<u>Description</u>
Verizon Wireless 1952 SE Oulstee Drive Lee, Florida ICB # 2009-SO-7RBMSC	Special construction charges for the installation of 39,400 feet of fiber optic cable for the provision of three (3) DS1 facilities between the Telephone Company's central office located at 507 West. Broad Street, Lee, Florida and the customer's cell site location at 1952 SE Oulstee Drive, Lee, Florida.
Nonrecurring Charge: Fiber Optic Cable and Taxes and Maintenance	\$250,000.00

ISSUE DATE:
February 28, 2011

Issued Under Transmittal No. 1
Vice President-Regulatory Operations
100 CenturyLink Drive
Monroe, Louisiana 71203

EFFECTIVE DATE:
March 1, 2011

ACCESS SERVICE

14. Special Construction (Cont'd)14.3 Rates and Charges (Cont'd)14.3.2 Charges to Provide Permanent Facilities Other Than to the Federal Government (Cont'd)FLORIDA (Cont'd)

<u>Customer Name</u>	<u>Description</u>
Verizon Wireless 900 NE 231st Ave. Silver Springs, Florida ICB # 2009-SO-7SXR83	Special construction charges for the installation of 30,000 feet of fiber optic cable for the provision of two (2) DS1 facilities between the Telephone Company's central office located at 5320 NE 25th Street, Silver Springs, Florida and the customer's cell site located at 900 NE 231st Avenue, Silver Spring, Florida.
Nonrecurring Charge: Fiber Optic Cable and Taxes and Maintenance	\$24,430.00

ISSUE DATE:
February 28, 2011

Issued Under Transmittal No. 1
Vice President-Regulatory Operations
100 CenturyLink Drive
Monroe, Louisiana 71203

EFFECTIVE DATE:
March 1, 2011

ACCESS SERVICE

14. Special Construction (Cont'd)14.3 Rates and Charges (Cont'd)14.3.2 Charges to Provide Permanent Facilities Other Than to the Federal Government (Cont'd)FLORIDA (Cont'd)

<u>Customer Name</u>	<u>Description</u>
Sprint Nextel 210 Methany Road Wauchula, Florida ICB # 2010-SO-822T4G	Special construction charges for the installation of 1,400 feet of fiber optic cable for the provision of DS1 facilities between the Telephone Company's central office located at 124 7th Avenue, Wauchula, Florida and the customer's designated premises located at 210 Methany Road, Wauchula, Florida.
Nonrecurring Charge: Fiber Optic Cable and Taxes and Maintenance	\$10,941.00

ISSUE DATE:
February 28, 2011

Issued Under Transmittal No. 1
Vice President-Regulatory Operations
100 CenturyLink Drive
Monroe, Louisiana 71203

EFFECTIVE DATE:
March 1, 2011

ACCESS SERVICE

14. Special Construction (Cont'd)14.3 Rates and Charges (Cont'd)14.3.2 Charges to Provide Permanent Facilities Other Than to the Federal Government (Cont'd)FLORIDA (Cont'd)

<u>Customer Name</u>	<u>Description</u>
Verizon Wireless 396 CR 540 Bushnell, Florida ICB # 2010-SO-825JPB	Special construction charges for the installation of 8,500 feet of fiber optic cable for the provision of nine (9) DS1 facilities between the Telephone Company's central office located at 123 East Virginia Avenue, Bushnell, Florida and the customer's cell site located at 396 CR 540, Bushnell, Florida.
Nonrecurring Charge: Fiber Optic Cable and Taxes and Maintenance	\$19,113.00

ISSUE DATE:
February 28, 2011

Issued Under Transmittal No. 1
Vice President-Regulatory Operations
100 CenturyLink Drive
Monroe, Louisiana 71203

EFFECTIVE DATE:
March 1, 2011

ACCESS SERVICE

14. Special Construction (Cont'd)

(N)

14.3 Rates and Charges (Cont'd)

14.3.2 Charges to Provide Permanent Facilities Other Than to the Federal Government (Cont'd)

FLORIDA (Cont'd)

Customer: AT&T Mobility
ICB# 2010-SO-82TH2K

Description: Special construction charges for the installation of 75,504 feet of fiber optic cable for the provision of 8 DS1 facilities between the Telephone Company's central office located at 113 W. Olympia Ave., Punta Gorda, Florida and the customer's cell site located at 27125 Bermont, Punta Gorda, Florida. A total charge of \$156,419.00 is due and payable in a one-time payment.

Nonrecurring Charge: \$156,419.00

Customer:: Paetec
ICB# 2010-SO-89KMSW

Description: Special construction charges for the installation of 1,900 feet of fiber optic cable for the provision of a DS3 facility between the Telephone Company's central office located at 28160 Beaumont Road, Bonita Springs, Florida and the customer's designated premises located at 9450 Corkscrew Palm Circle, Estero, Florida. A total charge of \$25,080.00 is due and payable in a one-time payment.

Nonrecurring Charge: \$25,080.00

(N)

ISSUE DATE:
November 1, 2011

Issued Under Transmittal No. 11
Vice President-Regulatory Operations
100 CenturyLink Drive
Monroe, Louisiana 71203

EFFECTIVE DATE:
November 16, 2011

ACCESS SERVICE

14. Special Construction (Cont'd)

(N)

14.3 Rates and Charges (Cont'd)

14.3.2 Charges to Provide Permanent Facilities Other Than to the Federal Government (Cont'd)

FLORIDA (Cont'd)

Customer: ATT

ICB# 2011-SO-8JGQZP

Description: Special construction charges for the installation of 400 feet of fiber optic cable for the provision of 100 M EVPL between the Telephone Company's serving wire center located at 319 Se Broadway St., Ocala, Florida to the customer premise located at 10028 SW 90th Ave., Ocala, Florida. A total charge of \$7,920.00 is due and payable in a one-time payment.

Nonrecurring Charge: \$7,920.00

Customer:: Verizon Business

ICB# 2011-SO-8MCHBM

Description: Special construction charges for the installation of 6,000 feet of fiber optic cable for the provision of a DS3 between the Telephone Company's serving wire center located at 33 N Main St., Winter Garden, Florida to the customer premise located at 3391 Daniels Road, Winter Garden, Florida. A total charge of \$68,693.00 is due and payable in a one-time payment.

Nonrecurring Charge: \$68,693.00

Customer:: Verizon Business

ICB# 2011-SO-8MKPTK

Description: Special construction charges for the installation of 3,600 feet of fiber optic cable for the provision of a DS3 between the Telephone Company's serving wire center located at 819 De Soto St., Clermont, Florida to the customer premise located at 16905 Cagan Crossings Blvd., Clermont, Florida. A total charge of \$76,334.00 is due and payable in a one-time payment.

Nonrecurring Charge: \$76,334.00

(N)

ISSUE DATE:
August 17, 2012

Issued Under Transmittal No. 26
Vice President-Regulatory Operations
100 CenturyLink Drive
Monroe, Louisiana 71203

EFFECTIVE DATE:
September 1, 2012

ACCESS SERVICE

14. Special Construction (Cont'd)

(N)

14.3 Rates and Charges (Cont'd)

14.3.2 Charges to Provide Permanent Facilities Other Than to the Federal Government (Cont'd)

FLORIDA (Cont'd)

Customer: ATT
 ICB# 2011-SO-8HNLST
 Description: Special construction charges for the installation of 1,700 feet of fiber optic cable for the provision of 10 20 M EVPL service between the Telephone Company's serving wire center located at 28160 Beaumont Rd., Bonita Springs, Florida to the customer premise located at 2640 Golden Gate Pkwy., Naples, Florida. A total charge of \$22,440.00 is due and payable in a one-time payment.

Nonrecurring Charge: \$22,440.00

Customer:: Verizon Wireless
 ICB# 2011-SO-8E6TPS
 Description: Special construction charges for the installation of 200 feet of fiber optic cable for the provision of a 6 DS1s between the Telephone Company's serving wire center located at 10201 Tamiami Tri, North Naples, Florida, to the customer premise located at 2600 Tiburon Dr., Naples, Florida. A total charge of \$2,640.00 is due and payable in a one-time payment.

Nonrecurring Charge: \$2,640.00

Customer:: ATT
 ICB# 2011-SO-8JPULF
 Description: Special construction charges for the installation of 4,300 feet of fiber optic cable for the provision of a DS3 between the Telephone Company's serving wire center located at 10201 Tamiami Tri, North Naples, Florida to the customer premise located at 9110 Strada Pl., Naples, Florida. A total charge of \$33,404.00 is due and payable in a one-time payment.

Nonrecurring Charge: \$33,404.00

(N)

ACCESS SERVICE

14. Special Construction (Cont'd)

(N)

14.3 Rates and Charges (Cont'd)

14.3.2 Charges to Provide Permanent Facilities Other Than to the Federal Government (Cont'd)

FLORIDA (Cont'd)

Customer: Sprint

ICB# 2012-SO-8U565R

Description: Special construction charges for the installation of 1,300 feet of fiber optic cable for the provision of 5 DS1s between the Telephone Company's serving wire center located at Swy 145@ Hwy 80, Choudrant, Florida to the customer cell site located at 5555 Golden Gate Pkwy., Naples, Florida. A total charge of \$38,408.00 is due and payable in a one-time payment.

Nonrecurring Charge: \$38,408.00

Customer:: Sprint

ICB# 2012-SO-8TQP2L

Description: Special construction charges for the installation of 1,000 feet of fiber optic cable for the provision of a DS3 between the Telephone Company's serving wire center located at Main Street, Athens, Florida, to the customer premise located at 10990 Metro Parkway, Fort Myers, Florida. A month recurring charge of \$759.00 is due each month for a term of 3 years.

Monthly Recurring Charge: \$759.00

(N)

ISSUE DATE:
January 22, 2013

Issued Under Transmittal No. 32
Vice President-Regulatory Operations
100 CenturyLink Drive
Monroe, Louisiana 71203

EFFECTIVE DATE:
February 6, 2013

ACCESS SERVICE

14. Special Construction (Cont'd)

(N)

14.3 Rates and Charges (Cont'd)

14.3.2 Charges to Provide Permanent Facilities Other Than to the Federal Government (Cont'd)

FLORIDA (Cont'd)

Customer: AT&T

ICB# 2013-SO-96UQ3Z

Description: Special construction charges for the installation of 2,100 feet of fiber optic cable for the provision of 20M EVPL between the Telephone Company's serving wire center located at 6439 Hwy 12, Ragley, Florida to the customer cell premise located at 3001 SE Maricamp Rd., Ocala, Florida. A total charge of \$25,288.00 is due and payable in a one-time payment.

Nonrecurring Charge: \$25,288.00

Customer:: QCC

ICB# 2013-SO-96UGD6

Description: Special construction charges for the installation of 1,100 feet of fiber optic cable for the provision of one 10M EVPL between the Telephone Company's serving wire center located at 100 N Cherry, Galesburg, Florida, to the customer premise located at 521 North Lecanto Highway, Lecanto, Florida. A total charge of \$13,246.00 is due and payable in a one-time payment.

Nonrecurring Charge: \$13,246.00

Customer:: Windstream

ICB# 2013-SO-97PR2R

Description: Special construction charges for the installation of 6,000 feet of fiber optic cable for the provision of a 100M EVPL between the Telephone Company's serving wire center located at Main St., Athens, Florida, to the customer premise located at 5500 Enterprise Pkwy, East Ft Myers, Florida. A total charge of \$38,936.00 is due and payable in a one-time payment.

Nonrecurring Charge: \$38,936.00

(N)

ISSUE DATE:
July 22, 2013

Issued Under Transmittal No. 43
Vice President-Regulatory Operations
100 CenturyLink Drive
Monroe, Louisiana 71203

EFFECTIVE DATE:
August 6, 2013

ACCESS SERVICE

14. Special Construction (Cont'd)

(N)

14.3 Rates and Charges (Cont'd)

14.3.2 Charges to Provide Permanent Facilities Other Than to the Federal Government (Cont'd)

FLORIDA (Cont'd)

Customer: Sprint

ICB# 2012-SO-92PHQF

Description: Special construction charges for the installation of 600 feet of fiber optic cable for the provision of 100M EVPL between the Telephone Company's serving wire center located at 16704 S. Watertower Dr., Kinross, Florida to the customer premise located at 1275 E. Story Rd., Winter Garden, Florida. A total charge of \$11,239.00 is due and payable in a one-time payment.

Nonrecurring Charge: \$11,239.00

Customer:: Verizon Business

ICB# 2013-SO-94XHSN

Description: Special construction charges for the installation of 1,000 feet of fiber optic cable for the provision of 100M EVPL between the Telephone Company's serving wire center located at Main St, Keller, Florida, to the customer premise located at 355 Semoran Blvd Fern Park, Florida. A total charge of \$12,042.00 is due and payable in a one-time payment.

Nonrecurring Charge: \$12,042.00

Customer:: Sprint

ICB# 2013-SO-97VFHT

Description: Special construction charges for the installation of 3,050 feet of fiber optic cable for the provision of DS3 between the Telephone Company's serving wire center located at Main St., Athens, Florida, to the customer premise located at 2100 Rockfill Road, Ft Myers, Florida. A total charge of \$29,971.00 is due and payable in a one-time payment.

Nonrecurring Charge: \$29,971.00

(N)

ISSUE DATE:
January 7, 2014

Issued Under Transmittal No. 50
Vice President-Regulatory Operations
100 CenturyLink Drive
Monroe, Louisiana 71203

EFFECTIVE DATE:
January 22, 2014

ACCESS SERVICE

14. Special Construction (Cont'd)

(N)

14.3 Rates and Charges (Cont'd)

14.3.2 Charges to Provide Permanent Facilities Other Than to the Federal Government (Cont'd)

FLORIDA (Cont'd)

Customer: Level 3
ICB# 2013-SO-97YJL9
Description: Special construction charges for the installation of 1,100 feet of fiber optic cable for the provision of 100M EVPL between the Telephone Company's serving wire center located at 6439 Hwy 12., Ragley, Florida to the customer premise located at 433 SW 10th St., Ocala, Florida. A total charge of \$20,605.00 is due and payable in a one-time payment.

Nonrecurring Charge: \$20,605.00

Customer:: QCC
ICB# 2012-SO-92NJ2P
Description: Special construction charges for the installation of 1,500 feet of fiber optic cable for the provision of DS3 between the Telephone Company's serving wire center located at 208 W. Louisiana Ave, Vivian, Florida, to the customer premise located at 3700 Commercial Drive, Sebring, Florida. A total charge of \$15,951.00 is due and payable in a one-time payment.

Nonrecurring Charge: \$15,951.00

Customer:: QCC
ICB# 2013-SO-96MJZT
Description: Special construction charges for the installation of 2,000 feet of fiber optic cable for the provision of DS3 between the Telephone Company's serving wire center located at 6439 Hwy 12., Ragley, Florida, to the customer premise located at 933 East Silver Springs Blvd., Ocala, Florida. A total charge of \$27,821.00 is due and payable in a one-time payment.

Nonrecurring Charge: \$27,821.00

(N)

ISSUE DATE: January 7, 2014
Issued Under Transmittal No. 50
Vice President-Regulatory Operations
100 CenturyLink Drive
Monroe, Louisiana 71203
EFFECTIVE DATE: January 22, 2014

ACCESS SERVICE

14. Special Construction (Cont'd)

(N)

14.3 Rates and Charges (Cont'd)14.3.2 Charges to Provide Permanent Facilities Other Than to the Federal Government (Cont'd)FLORIDA (Cont'd)

Customer: Windstream

ICB# 2013-SO-9AEJD2

Description: Special construction charges for the installation of 750 feet of fiber optic cable for the provision of 100M EVPL between the Telephone Company's serving wire center located at Main St., Athens, Florida to the customer premise located at 11301 Gateway Blvd., Fort Myers, Florida. A total charge of \$14,049.00 is due and payable in a one-time payment.

Nonrecurring Charge: \$14,049.00

Customer:: QCC

ICB# 2013-SO-98VHR5

Description: Special construction charges for the installation of 1,600 feet of fiber optic cable for the provision of DS3 between the Telephone Company's serving wire center located at 1080 Bridge St, Parks, Florida, to the customer premise located at 2659 Professional Circle, Naples, Florida. A total charge of \$22,077.00 is due and payable in a one-time payment.

Nonrecurring Charge: \$22,077.00

Customer:: Level 3

ICB# 2013-SO-95LPME

Description: Special construction charges for the installation of 1,400 feet of fiber optic cable for the provision of 100M EVPL between the Telephone Company's serving wire center located at 6439 Hwy 12., Ragley, Florida, to the customer premise located at 40 Southwest 12th Street, Ocala, Florida. A total charge of \$16,859.00 is due and payable in a one-time payment.

Nonrecurring Charge: \$16,859.00

(N)

ISSUE DATE:
January 7, 2014

Issued Under Transmittal No. 50
Vice President-Regulatory Operations
100 CenturyLink Drive
Monroe, Louisiana 71203

EFFECTIVE DATE:
January 22, 2014

ACCESS SERVICE

14. Special Construction (Cont'd)

14.3 Rates and Charges (Cont'd)

14.3.2 Charges to Provide Permanent Facilities Other Than to the Federal Government (Cont'd)

FLORIDA (Cont'd)

Customer: AT&T

ICB# 2013-SO-9BQ572

Description: Special construction charges for the installation of 2,000 feet of fiber optic cable for the provision of 10M EVPL between the Telephone Company's serving wire center located at Main St., Athens, Florida to the customer premise located at 4350 Fowler St., Fort Myers, Florida. A total charge of \$17,808.00 is due and payable in a one-time payment.

Nonrecurring Charge: \$17,808.00

Customer:: AT&T

ICB# 2013-SO-97QPUE

Description: Special construction charges for the installation of 700 feet of fiber optic cable for the provision of DS3 between the Telephone Company's serving wire center located at 1080 Bridge St, Parks, Florida, to the customer premise located at 4901 Tamiami Trail N., Naples, Florida. A total charge of \$8,496.00 is due and payable in a one-time payment.

Nonrecurring Charge: \$8,496.00

Customer:: Windstream

ICB# 2013-SO-9CDGZU

Description: Special construction charges for the installation of 1,500 feet of fiber optic cable for the provision of 100M EVPL between the Telephone Company's serving wire center located 1080 Bridge St., Parks, Florida, to the customer premise located at 7995 Mahogany Run Lane, Naples, Florida. A total charge of \$13,482.00 is due and payable in a one-time payment.

Nonrecurring Charge: \$13,482.00

ISSUE DATE:
March 17, 2014

Issued Under Transmittal No. 53
Vice President-Regulatory Operations
100 CenturyLink Drive
Monroe, Louisiana 71203

EFFECTIVE DATE:
April 1, 2014

(Z)

ACCESS SERVICE

14. Special Construction (Cont'd)

(N)

14.3 Rates and Charges (Cont'd)

14.3.2 Charges to Provide Permanent Facilities Other Than to the Federal Government (Cont'd)

FLORIDA (Cont'd)

Customer: Level 3
ICB# 2013-SO-98RK2Q
Description: Special construction charges for the installation of 2,150 feet of fiber optic cable for the provision of 100M EVPL between the Telephone Company's serving wire center located at 28160 Beaumont Rd., Bonita Springs, Florida to the customer premise located at 23120 Via Villagio, Estero, Florida. A total charge of \$20,471.00 is due and payable in a one-time payment.

Nonrecurring Charge: \$20,471.00

Customer:: Verizon Business
ICB# 2013-SO-97HN5B
Description: Special construction charges for the installation of 600 feet of fiber optic cable for the provision of DS3 between the Telephone Company's serving wire center located at 990 26th Ave. N., Naples, Florida, to the customer premise located at 8880 Tamiami Trail N., Naples, Florida. A total charge of \$6,422.00 is due and payable in a one-time payment.

Nonrecurring Charge: \$6,422.00

Customer:: Verizon Business
ICB# 2013-SO-9AMK2X
Description: Special construction charges for the installation of 1750 feet of fiber optic cable for the provision of DS3 between the Telephone Company's serving wire center located at 990 26th Ave. N., Naples, Florida, to the customer premise located at 350 5th Avenue South, Naples, Florida. A total charge of \$23,160.00 is due and payable in a one-time payment.

Nonrecurring Charge: \$23,160.00

(N)

ISSUE DATE:
December 17, 2014

Issued Under Transmittal No. 63
Vice President-Regulatory Operations
100 CenturyLink Drive
Monroe, Louisiana 71203

EFFECTIVE DATE:
January 1, 2015

ACCESS SERVICE

14. Special Construction (Cont'd)

(N)

14.3 Rates and Charges (Cont'd)

14.3.2 Charges to Provide Permanent Facilities Other Than to the Federal Government (Cont'd)

FLORIDA (Cont'd)

Customer: Windstream

ICB# 2013-SO-9CYJ85

Description: Special construction charges for the installation of 2,100 feet of fiber optic cable for the provision of 100M EVPL between the Telephone Company's serving wire center located at 1520 Lee St., Fort Myers, Florida to the customer premise located at 13350 Rickenbacker Parkway, Fort Myers, Florida. A total charge of \$17,640.00 is due and payable in a one-time payment.

Nonrecurring Charge: \$17,640.00

Customer:: Sprint

ICB# 2013-SO-9EHHT6

Description: Special construction charges for the installation of 1900 feet of fiber optic cable for the provision of 100M EVPL between the Telephone Company's serving wire center located at 151 S. New York Ave., Winter Park, Florida, to the customer premise located at 810 North Orlando Ave., Maitland, Florida. A total charge of \$31,920.00 is due and payable in a one-time payment.

Nonrecurring Charge: \$31,920.00

Customer:: Windstream

ICB# 2013-SO-97GKPM

Description: Special construction charges for the installation of 3200 feet of fiber optic cable for the provision of 1G EVPL between the Telephone Company's serving wire center located at 418 Broadway, Kissimmee, Florida, to the customer premise located at 2675 Eagle Bay Blvd, Kissimmee, Florida. A total charge of \$51,379.00 is due and payable in a one-time payment.

Nonrecurring Charge: \$51,379.00

(N)

ISSUE DATE:
December 17, 2014

Issued Under Transmittal No. 63
Vice President-Regulatory Operations
100 CenturyLink Drive
Monroe, Louisiana 71203

EFFECTIVE DATE:
January 1, 2015

ACCESS SERVICE

14. Special Construction (Cont'd)

(N)

14.3 Rates and Charges (Cont'd)

14.3.2 Charges to Provide Permanent Facilities Other Than to the Federal Government (Cont'd)

FLORIDA (Cont'd)

Customer: AT&T

ICB# 2013-SO-974REP

Description: Special construction charges for the installation of 1800 feet of fiber optic cable for the provision of 10M EVPL between the Telephone Company's serving wire center located at 906 Country Club Blvd., Cape Coral, Florida to the customer premise located at 1315 SE 47th St., Cape Coral, Florida. A total charge of \$14,842.00 is due and payable in a one-time payment.

Nonrecurring Charge: \$14,842.00

Customer:: AT&T

ICB# 2014-SO-9HANBC

Description: Special construction charges for the installation of 11100 feet of fiber optic cable for the provision of DS3 between the Telephone Company's serving wire center located at 104 Hall St., Wildwood, Florida, to the customer premise located at 46 NE 54th Terr., Sumterville, Florida. A total charge of \$40,000.00 is due and payable in a one-time payment.

Nonrecurring Charge: \$40,000.00

Customer:: MetroPCS

ICB# 2012-SO-8WJNN9

Description: Special construction charges for the installation of 1908 feet of fiber optic cable for the provision of 1G EVPL between the Telephone Company's serving wire center located at 33 N. Main St., winter Garden, Florida, to the customer premise located at 13480 Hartzog Rd., Winter Garden, Florida. A total charge of \$74,928.00 is due and payable in a one-time payment.

Nonrecurring Charge: \$74,928.00

(N)

ISSUE DATE:
December 17, 2014

Issued Under Transmittal No. 63
Vice President-Regulatory Operations
100 CenturyLink Drive
Monroe, Louisiana 71203

EFFECTIVE DATE:
January 1, 2015

ACCESS SERVICE

14. Special Construction (Cont'd)

14.3 Rates and Charges (Cont'd)

14.3.2 Charges to Provide Permanent Facilities Other Than to the Federal Government (Cont'd)

FLORIDA (Cont'd)

ICB# 2015-SO-9USKU4

Description: Special construction charges for the installation of 10400 feet of fiber optic cable for the provision of DS3 between the Telephone Company's serving wire center located at Sixth St., Oberlin, Florida to the customer premise located at 3625 FCI Road, Marianna, Florida. A total charge of \$82,636.00 is due and payable in a one-time payment.

Nonrecurring Charge:

\$82,636.00

(N)

(N)

ISSUE DATE:
March 17, 2017

Issued Under Transmittal No. 90
Vice President-Regulatory Operations
100 CenturyLink Drive
Monroe, Louisiana 71203

EFFECTIVE DATE:
April 1, 2017

ACCESS SERVICE

14. Special Construction (Cont'd)

14.3 Rates and Charges (Cont'd)

14.3.2 Charges to Provide Permanent Facilities Other Than to the Federal Government (Cont'd)

This page is reserved for future use.

(N)

(D)

(D)

**Material deleted from this page now appears in Brightspeed Local Operating Companies
Tariff F.C.C. NO. 9.**

(N)

(N)

ISSUE DATE:
September 19, 2022

Issued Under Transmittal No. 125
Vice President-Regulatory Operations
100 CenturyLink Drive
Monroe, Louisiana 71203

EFFECTIVE DATE:
October 4, 2022

ACCESS SERVICE

14. Special Construction (Cont'd)

14.3 Rates and Charges (Cont'd)

14.3.2 Charges to Provide Permanent Facilities Other Than to the Federal Government (Cont'd)

This page is reserved for future use.

(N)

(D)

(D)

**Material deleted from this page now appears in Brightspeed Local Operating Companies
Tariff F.C.C. NO. 9.**

(N)

(N)

ISSUE DATE:
September 19, 2022

Issued Under Transmittal No. 125
Vice President-Regulatory Operations
100 CenturyLink Drive
Monroe, Louisiana 71203

EFFECTIVE DATE:
October 4, 2022

ACCESS SERVICE

14. Special Construction (Cont'd)

14.3 Rates and Charges (Cont'd)

14.3.2 Charges to Provide Permanent Facilities Other Than to the Federal Government (Cont'd)

This page is reserved for future use.

(N)

(D)

(D)

**Material deleted from this page now appears in Brightspeed Local Operating Companies
Tariff F.C.C. NO. 9.**

(N)

(N)

ISSUE DATE:
September 19, 2022

Issued Under Transmittal No. 125
Vice President-Regulatory Operations
100 CenturyLink Drive
Monroe, Louisiana 71203

EFFECTIVE DATE:
October 4, 2022

ACCESS SERVICE

14. Special Construction (Cont'd)

14.3 Rates and Charges (Cont'd)

14.3.2 Charges to Provide Permanent Facilities Other Than to the Federal Government (Cont'd)

This page is reserved for future use.

(N)

(D)

(D)

**Material deleted from this page now appears in Brightspeed Local Operating Companies
Tariff F.C.C. NO. 9.**

(N)

(N)

ISSUE DATE:
September 19, 2022

Issued Under Transmittal No. 125
Vice President-Regulatory Operations
100 CenturyLink Drive
Monroe, Louisiana 71203

EFFECTIVE DATE:
October 4, 2022

ACCESS SERVICE

14. Special Construction (Cont'd)

14.3 Rates and Charges (Cont'd)

14.3.2 Charges to Provide Permanent Facilities Other Than to the Federal Government (Cont'd)

This page is reserved for future use.

(N)

(D)

(D)

**Material deleted from this page now appears in Brightspeed Local Operating Companies
Tariff F.C.C. NO. 9.**

(N)

(N)

ISSUE DATE:
September 19, 2022

Issued Under Transmittal No. 125
Vice President-Regulatory Operations
100 CenturyLink Drive
Monroe, Louisiana 71203

EFFECTIVE DATE:
October 4, 2022

ACCESS SERVICE

14. Special Construction (Cont'd)

14.3 Rates and Charges (Cont'd)

14.3.2 Charges to Provide Permanent Facilities Other Than to the Federal Government (Cont'd)

This page is reserved for future use.

(N)

(D)

(D)

**Material deleted from this page now appears in Brightspeed Local Operating Companies
Tariff F.C.C. NO. 9.**

(N)

(N)

ISSUE DATE:
September 19, 2022

Issued Under Transmittal No. 125
Vice President-Regulatory Operations
100 CenturyLink Drive
Monroe, Louisiana 71203

EFFECTIVE DATE:
October 4, 2022

ACCESS SERVICE

14. Special Construction (Cont'd)

14.3 Rates and Charges (Cont'd)

14.3.2 Charges to Provide Permanent Facilities Other Than to the Federal Government (Cont'd)

This page is reserved for future use.

(N)

(D)

(D)

**Material deleted from this page now appears in Brightspeed Local Operating Companies
Tariff F.C.C. NO. 9.**

(N)

(N)

ISSUE DATE:
September 19, 2022

Issued Under Transmittal No. 125
Vice President-Regulatory Operations
100 CenturyLink Drive
Monroe, Louisiana 71203

EFFECTIVE DATE:
October 4, 2022

ACCESS SERVICE

14. Special Construction (Cont'd)

14.3 Rates and Charges (Cont'd)

14.3.2 Charges to Provide Permanent Facilities Other Than to the Federal Government (Cont'd)

This page is reserved for future use.

(N)

(D)

(D)

**Material deleted from this page now appears in Brightspeed Local Operating Companies
Tariff F.C.C. NO. 9.**

(N)

(N)

ISSUE DATE:
September 19, 2022

Issued Under Transmittal No. 125
Vice President-Regulatory Operations
100 CenturyLink Drive
Monroe, Louisiana 71203

EFFECTIVE DATE:
October 4, 2022

ACCESS SERVICE

14. Special Construction (Cont'd)

14.3 Rates and Charges (Cont'd)

14.3.2 Charges to Provide Permanent Facilities Other Than to the Federal Government (Cont'd)

This page is reserved for future use.

(N)

(D)

(D)

**Material deleted from this page now appears in Brightspeed Local Operating Companies
Tariff F.C.C. NO. 9.**

(N)

(N)

ISSUE DATE:
September 19, 2022

Issued Under Transmittal No. 125
Vice President-Regulatory Operations
100 CenturyLink Drive
Monroe, Louisiana 71203

EFFECTIVE DATE:
October 4, 2022

ACCESS SERVICE

14. Special Construction (Cont'd)

14.3 Rates and Charges (Cont'd)

14.3.2 Charges to Provide Permanent Facilities Other Than to the Federal Government (Cont'd)

This page is reserved for future use.

(N)

(D)

(D)

**Material deleted from this page now appears in Brightspeed Local Operating Companies
Tariff F.C.C. NO. 9.**

(N)

(N)

ISSUE DATE:
September 19, 2022

Issued Under Transmittal No. 125
Vice President-Regulatory Operations
100 CenturyLink Drive
Monroe, Louisiana 71203

EFFECTIVE DATE:
October 4, 2022

ACCESS SERVICE

14. Special Construction (Cont'd)

14.3 Rates and Charges (Cont'd)

14.3.2 Charges to Provide Permanent Facilities Other Than to the Federal Government (Cont'd)

This page is reserved for future use.

(N)

(D)

(D)

**Material deleted from this page now appears in Brightspeed Local Operating Companies
Tariff F.C.C. NO. 9.**

(N)

(N)

ISSUE DATE:
September 19, 2022

Issued Under Transmittal No. 125
Vice President-Regulatory Operations
100 CenturyLink Drive
Monroe, Louisiana 71203

EFFECTIVE DATE:
October 4, 2022

ACCESS SERVICE

14. Special Construction (Cont'd)

14.3 Rates and Charges (Cont'd)

14.3.2 Charges to Provide Permanent Facilities Other Than to the Federal Government (Cont'd)

This page is reserved for future use.

(N)

(D)

(D)

**Material deleted from this page now appears in Brightspeed Local Operating Companies
Tariff F.C.C. NO. 9.**

(N)

(N)

ISSUE DATE:
September 19, 2022

Issued Under Transmittal No. 125
Vice President-Regulatory Operations
100 CenturyLink Drive
Monroe, Louisiana 71203

EFFECTIVE DATE:
October 4, 2022

ACCESS SERVICE

14. Special Construction (Cont'd)

14.3 Rates and Charges (Cont'd)

14.3.2 Charges to Provide Permanent Facilities Other Than to the Federal Government (Cont'd)

This page is reserved for future use.

**Material deleted from this page now appears in Brightspeed Local Operating Companies
Tariff F.C.C. NO. 9.**

ISSUE DATE:
September 19, 2022

Issued Under Transmittal No. 125
Vice President-Regulatory Operations
100 CenturyLink Drive
Monroe, Louisiana 71203

EFFECTIVE DATE:
October 4, 2022

ACCESS SERVICE

14. Special Construction (Cont'd)

14.3 Rates and Charges (Cont'd)

14.3.2 Charges to Provide Permanent Facilities Other Than to the Federal Government (Cont'd)

This page is reserved for future use.

(N)

(D)

(D)

**Material deleted from this page now appears in Brightspeed Local Operating Companies
Tariff F.C.C. NO. 9.**

(N)

(N)

ISSUE DATE:
September 19, 2022

Issued Under Transmittal No. 125
Vice President-Regulatory Operations
100 CenturyLink Drive
Monroe, Louisiana 71203

EFFECTIVE DATE:
October 4, 2022

ACCESS SERVICE

14. Special Construction (Cont'd)

14.3 Rates and Charges (Cont'd)

14.3.2 Charges to Provide Permanent Facilities Other Than to the Federal Government (Cont'd)

This page is reserved for future use.

**Material deleted from this page now appears in Brightspeed Local Operating Companies
Tariff F.C.C. NO. 9.**

ISSUE DATE:
September 19, 2022

Issued Under Transmittal No. 125
Vice President-Regulatory Operations
100 CenturyLink Drive
Monroe, Louisiana 71203

EFFECTIVE DATE:
October 4, 2022

ACCESS SERVICE

14. Special Construction (Cont'd)

14.3 Rates and Charges (Cont'd)

14.3.2 Charges to Provide Permanent Facilities Other Than to the Federal Government (Cont'd)

This page is reserved for future use.

(N)

(D)

(D)

**Material deleted from this page now appears in Brightspeed Local Operating Companies
Tariff F.C.C. NO. 9.**

(N)

(N)

ISSUE DATE:
September 19, 2022

Issued Under Transmittal No. 125
Vice President-Regulatory Operations
100 CenturyLink Drive
Monroe, Louisiana 71203

EFFECTIVE DATE:
October 4, 2022

ACCESS SERVICE

14. Special Construction (Cont'd)

14.3 Rates and Charges (Cont'd)

14.3.2 Charges to Provide Permanent Facilities Other Than to the Federal Government (Cont'd)

This page is reserved for future use.

(N)

(D)

(D)

**Material deleted from this page now appears in Brightspeed Local Operating Companies
Tariff F.C.C. NO. 9.**

(N)

(N)

ISSUE DATE:
September 19, 2022

Issued Under Transmittal No. 125
Vice President-Regulatory Operations
100 CenturyLink Drive
Monroe, Louisiana 71203

EFFECTIVE DATE:
October 4, 2022

ACCESS SERVICE

14. Special Construction (Cont'd)

14.3 Rates and Charges (Cont'd)

14.3.2 Charges to Provide Permanent Facilities Other Than to the Federal Government (Cont'd)

This page is reserved for future use.

(N)

(D)

(D)

**Material deleted from this page now appears in Brightspeed Local Operating Companies
Tariff F.C.C. NO. 9.**

(N)

(N)

ISSUE DATE:
September 19, 2022

Issued Under Transmittal No. 125
Vice President-Regulatory Operations
100 CenturyLink Drive
Monroe, Louisiana 71203

EFFECTIVE DATE:
October 4, 2022

ACCESS SERVICE

14. Special Construction (Cont'd)

14.3 Rates and Charges (Cont'd)

14.3.2 Charges to Provide Permanent Facilities Other Than to the Federal Government (Cont'd)

This page is reserved for future use.

(N)

(D)

(D)

**Material deleted from this page now appears in Brightspeed Local Operating Companies
Tariff F.C.C. NO. 9.**

(N)

(N)

ISSUE DATE:
September 19, 2022

Issued Under Transmittal No. 125
Vice President-Regulatory Operations
100 CenturyLink Drive
Monroe, Louisiana 71203

EFFECTIVE DATE:
October 4, 2022

ACCESS SERVICE

14. Special Construction (Cont'd)

14.3 Rates and Charges (Cont'd)

14.3.2 Charges to Provide Permanent Facilities Other Than to the Federal Government (Cont'd)

This page is reserved for future use.

(N)

(D)

(D)

**Material deleted from this page now appears in Brightspeed Local Operating Companies
Tariff F.C.C. NO. 9.**

(N)

(N)

ISSUE DATE:
September 19, 2022

Issued Under Transmittal No. 125
Vice President-Regulatory Operations
100 CenturyLink Drive
Monroe, Louisiana 71203

EFFECTIVE DATE:
October 4, 2022

ACCESS SERVICE

14. Special Construction (Cont'd)

14.3 Rates and Charges (Cont'd)

14.3.2 Charges to Provide Permanent Facilities Other Than to the Federal Government (Cont'd)

This page is reserved for future use.

(N)

(D)

(D)

**Material deleted from this page now appears in Brightspeed Local Operating Companies
Tariff F.C.C. NO. 9.**

(N)

(N)

ISSUE DATE:
September 19, 2022

Issued Under Transmittal No. 125
Vice President-Regulatory Operations
100 CenturyLink Drive
Monroe, Louisiana 71203

EFFECTIVE DATE:
October 4, 2022

ACCESS SERVICE

14. Special Construction (Cont'd)

14.3 Rates and Charges (Cont'd)

14.3.2 Charges to Provide Permanent Facilities Other Than to the Federal Government (Cont'd)

This page is reserved for future use.

(N)

(D)

(D)

**Material deleted from this page now appears in Brightspeed Local Operating Companies
Tariff F.C.C. NO. 9.**

(N)

(N)

ISSUE DATE:
September 19, 2022

Issued Under Transmittal No. 125
Vice President-Regulatory Operations
100 CenturyLink Drive
Monroe, Louisiana 71203

EFFECTIVE DATE:
October 4, 2022

ACCESS SERVICE

14. Special Construction (Cont'd)

14.3 Rates and Charges (Cont'd)

14.3.2 Charges to Provide Permanent Facilities Other Than to the Federal Government (Cont'd)

This page is reserved for future use.

(N)

(D)

(D)

**Material deleted from this page now appears in Brightspeed Local Operating Companies
Tariff F.C.C. NO. 9.**

(N)

(N)

ISSUE DATE:
September 19, 2022

Issued Under Transmittal No. 125
Vice President-Regulatory Operations
100 CenturyLink Drive
Monroe, Louisiana 71203

EFFECTIVE DATE:
October 4, 2022

ACCESS SERVICE

14. Special Construction (Cont'd)

14.3 Rates and Charges (Cont'd)

14.3.2 Charges to Provide Permanent Facilities Other Than to the Federal Government (Cont'd)

This page is reserved for future use.

(N)

(D)

(D)

**Material deleted from this page now appears in Brightspeed Local Operating Companies
Tariff F.C.C. NO. 9.**

(N)

(N)

ISSUE DATE:
September 19, 2022

Issued Under Transmittal No. 125
Vice President-Regulatory Operations
100 CenturyLink Drive
Monroe, Louisiana 71203

EFFECTIVE DATE:
October 4, 2022

ACCESS SERVICE

14. Special Construction (Cont'd)

14.3 Rates and Charges (Cont'd)

14.3.2 Charges to Provide Permanent Facilities Other Than to the Federal Government (Cont'd)

This page is reserved for future use.

(N)

(D)

(D)

**Material deleted from this page now appears in Brightspeed Local Operating Companies
Tariff F.C.C. NO. 9.**

(N)

(N)

ISSUE DATE:
September 19, 2022

Issued Under Transmittal No. 125
Vice President-Regulatory Operations
100 CenturyLink Drive
Monroe, Louisiana 71203

EFFECTIVE DATE:
October 4, 2022

ACCESS SERVICE

14. Special Construction (Cont'd)

14.3 Rates and Charges (Cont'd)

14.3.2 Charges to Provide Permanent Facilities Other Than to the Federal Government (Cont'd)

This page is reserved for future use.

(N)

(D)

(D)

**Material deleted from this page now appears in Brightspeed Local Operating Companies
Tariff F.C.C. NO. 9.**

(N)

(N)

ISSUE DATE:
September 19, 2022

Issued Under Transmittal No. 125
Vice President-Regulatory Operations
100 CenturyLink Drive
Monroe, Louisiana 71203

EFFECTIVE DATE:
October 4, 2022

ACCESS SERVICE

14. Special Construction (Cont'd)

14.3 Rates and Charges (Cont'd)

14.3.2 Charges to Provide Permanent Facilities Other Than to the Federal Government (Cont'd)

This page is reserved for future use.

(N)

(D)

(D)

**Material deleted from this page now appears in Brightspeed Local Operating Companies
Tariff F.C.C. NO. 9.**

(N)

(N)

ISSUE DATE:
September 19, 2022

Issued Under Transmittal No. 125
Vice President-Regulatory Operations
100 CenturyLink Drive
Monroe, Louisiana 71203

EFFECTIVE DATE:
October 4, 2022

ACCESS SERVICE

14. Special Construction (Cont'd)14.3 Rates and Charges (Cont'd)14.3.2 Charges to Provide Permanent Facilities Other Than to the Federal Government (Cont'd)MINNESOTA

<u>Customer Name</u>	<u>Description</u>
All Systems Installation 8300 10th Avenue North Suite A Golden Valley, Minnesota 55427 ICB # 2005-WO-6C5Q9F	Special construction charges for the installation of 3,500 feet of fiber optic cable for the provision of a DS3 facility from the Telephone Company's central office located at 500 Maple Street South, Waconia, Minnesota to the customer's designated premises located at Waconia Ridgeview Health Systems, 8100 West 78th Street, Suite 130, Minneapolis, Minnesota.
Nonrecurring Charge: Fiber Optic Cable and Taxes and Maintenance	\$22,502.00
<u>USOC</u>	MN045

ISSUE DATE:
February 28, 2011

Issued Under Transmittal No. 1
Vice President-Regulatory Operations
100 CenturyLink Drive
Monroe, Louisiana 71203

EFFECTIVE DATE:
March 1, 2011

ACCESS SERVICE

14. Special Construction (Cont'd)
- 14.3 Rates and Charges (Cont'd)
- 14.3.2 Charges to Provide Permanent Facilities Other Than to the Federal Government (Cont'd)

MINNESOTA

<u>Customer Name</u>	<u>Description</u>
Broadwing 1000 St. Louis Union Street St. Louis, Missouri 63103 ICB # 2005-WO-6FJT3U	Special construction charges for the installation of 1.3 miles of fiber optic cable for the provision of a DS3 facility from the Telephone Company's central office located at 117 North Johnathan Boulevard, Chaska, Minnesota to the Minneapolis, Minnesota meetpoint with Qwest Communications.
Nonrecurring Charge: Fiber Optic Cable and Taxes and Maintenance	\$2,812.00
<u>USOC</u>	MN046

ISSUE DATE:
February 28, 2011

Issued Under Transmittal No. 1
Vice President-Regulatory Operations
100 CenturyLink Drive
Monroe, Louisiana 71203

EFFECTIVE DATE:
March 1, 2011

ACCESS SERVICE

14. Special Construction (Cont'd)
- 14.3 Rates and Charges (Cont'd)
- 14.3.2 Charges to Provide Permanent Facilities Other Than to the Federal Government (Cont'd)

MINNESOTA (Cont'd)

<u>Customer Name</u>	<u>Description</u>
AT&T 2830 County Road 9 Lake City, Minnesota 55041 ICB # 2007-WO-6XDUQW	Special construction charges for the installation of 700 feet of fiber optic cable for the provision of a DS3 facility from the Telephone Company's central office located at 220 East Center Street, Lake City, Minnesota, to the customer's designated premises located at 2830 County Road 9, Lake City, Minnesota.
Nonrecurring Charge: Fiber Optic Cable and Taxes and Maintenance	\$16,362.00

ISSUE DATE:
February 28, 2011

Issued Under Transmittal No. 1
Vice President-Regulatory Operations
100 CenturyLink Drive
Monroe, Louisiana 71203

EFFECTIVE DATE:
March 1, 2011

ACCESS SERVICE

14. Special Construction (Cont'd)14.3 Rates and Charges (Cont'd)14.3.2 Charges to Provide Permanent Facilities Other Than to the Federal Government (Cont'd)MINNESOTA (Cont'd)

<u>Customer Name</u>	<u>Description</u>
Sprint Nextel 2804 533rd Street Granite Falls, Minnesota ICB # 2008-WO-7CWGMV	Special construction charges for the installation of 7,100 feet of fiber optic cable for the provision of a DS3 facility from the Telephone Company's central office located at 160 8th Avenue, Granite Falls, Minnesota, to the customer's designated premises located at 2804 533rd Street, Granite Falls, Minnesota.
Nonrecurring Charge: Fiber Optic Cable and Taxes and Maintenance	\$1,163.00

ISSUE DATE:
February 28, 2011

Issued Under Transmittal No. 1
Vice President-Regulatory Operations
100 CenturyLink Drive
Monroe, Louisiana 71203

EFFECTIVE DATE:
March 1, 2011

ACCESS SERVICE

14. Special Construction (Cont'd)

(N)

14.3 Rates and Charges (Cont'd)

14.3.2 Charges to Provide Permanent Facilities Other Than to the Federal Government (Cont'd)

MINNESOTA (Cont'd)

<u>Customer Name</u>	<u>Description</u>
Qwest 3200 43rd Street St. Michael Minnesota ICB# 2010-WO-85JP95	Special construction charges for the installation of 1,900 feet of fiber optic cable for the provision of a DS3 facility from the Telephone Company's central office located at County Road No. 19, St. Michael, Minnesota, to the customer's designated premises located at 3200 43rd Street, St. Michael, Minnesota.
Nonrecurring Charge: Fiber Optic Cable and Taxes and Maintenance	\$18,485.00

(N)

ISSUE DATE:
May 13, 2011

Issued Under Transmittal No. 4
Vice President-Regulatory Operations
100 CenturyLink Drive
Monroe, Louisiana 71203

EFFECTIVE DATE:
May 28, 2011

ACCESS SERVICE

14. Special Construction (Cont'd)

(N)

14.3 Rates and Charges (Cont'd)

14.3.2 Charges to Provide Permanent Facilities Other Than to the Federal Government (Cont'd)

MINNESOTA (Cont'd)

Customer: ATT Mobility
ICB# 2011-WO-8KUS6K

Description: Special construction charges for the installation of 6,000 feet of copper cable for the provision of 2 DS1s between the Telephone Company's serving wire center located at 24 South Front St. W, Eyota, Minnesota to the customer's premise located at 10825 County Rd 129 SE, Eyota, Minnesota. A total charge of \$52,350.00 is due and payable in a one-time payment.

Nonrecurring Charge: \$52,350.00

Customer:: ATT Mobility
ICB# 2011-WO-8GKKMB

Description: Special construction charges for the installation of 6,000 feet of fiber optic cable for the provision of 3 DS1s between the Telephone Company's serving wire center located at 103 2nd St. NW, Aitkin, Minnesota to the customer's premise located at 42540 310th Lane, Aitken, Minnesota. A total charge of \$53,878.00 is due and payable in a one-time payment.

Nonrecurring Charge: \$53,878.00

Customer:: ATT Mobility
ICB# 2011-WO-8D4TDT

Description: Special construction charges for the installation of 7,500 feet of fiber optic cable for the provision of a DS3 between the Telephone Company's serving wire center located on County Road 10 E of Bay Lake, Bennettville, Minnesota to the customer's premise located at 42000 250th Rd, Bennettville, Minnesota. A total charge of \$140,018.00 is due and payable in a one-time payment.

Nonrecurring Charge: \$140,018.00

(N)

ISSUE DATE: August 17, 2012
Issued Under Transmittal No. 26
Vice President-Regulatory Operations
100 CenturyLink Drive
Monroe, Louisiana 71203

EFFECTIVE DATE:
September 1, 2012

ACCESS SERVICE

14. Special Construction (Cont'd)

14.3 Rates and Charges (Cont'd)

14.3.2 Charges to Provide Permanent Facilities Other Than to the Federal Government (Cont'd)

MINNESOTA (Cont'd)

Customer: Verizon Business
ICB# 2012-WO-8WATRX

Description: Special construction charges for the installation of 3,000 feet of copper cable for the provision of a DS3 between the Telephone Company's serving wire center located at 90 Somers Rd., Somers, Minnesota to the customer's premise located at 12555 Clayton Ave., Rosemount, Minnesota. A total charge of \$56,873.00 is due and payable in a one-time payment.

Nonrecurring Charge: \$56,873.00

Customer:: ATT Mobility
ICB# 2012-WO-8U73Q4

Description: Special construction charges for the installation of 52,600 feet of fiber optic cable for the provision of 6 DS1s between the Telephone Company's serving wire center located at 218 N 1st Street, Trimble, Minnesota to the customer's cell site located at 12403 County Rd 26, Altura, Minnesota. A total charge of \$303,314.00 is due and payable in a one-time payment.

Nonrecurring Charge: \$303,314.00

Customer:: ATT Mobility
ICB# 2010-WO-8B2QM7

Description: Special construction charges for the installation of 15,500 feet of fiber optic cable for the provision of 10 DS1s between the Telephone Company's serving wire center located at 198 Main St., Truxton, Minnesota to the customer's cell site located at 31596 State Hwy 47, Aitkin, Minnesota. A total charge of \$205,924.00 is due and payable in a one-time payment.

Nonrecurring Charge: \$205,924.00

(N)

(N)

ISSUE DATE: March 17, 2014
Monroe, Louisiana 71203

Issued Under Transmittal No. 53
Vice President-Regulatory Operations
100 CenturyLink Drive

EFFECTIVE DATE:
April 1, 2014

ACCESS SERVICE

14. Special Construction (Cont'd)

14.3 Rates and Charges (Cont'd)

14.3.2 Charges to Provide Permanent Facilities Other Than to the Federal Government (Cont'd)

MINNESOTA (Cont'd)

Customer: Enventis
ICB# 2013-WO-98VGFC

Description: Special construction charges for the installation of 1100 feet of fiber optic cable for the provision of a DS3 between the Telephone Company's serving wire center located at 415 Vermillion St., Hastings, Minnesota to the customer's premise located at 3686 140th Street E., Rosemount, Minnesota. A total charge of \$56,333.00 is due and payable in a one-time payment.

Nonrecurring Charge: \$56,333.00

Customer:: QCC
ICB# 2014-WO-9JDSPP

Description: Special construction charges for the installation of 3524 feet of fiber optic cable for the provision of DS1 between the Telephone Company's serving wire center located at 160 8th Ave., Granite Falls, Minnesota to the customer's premise located at 2588 520th St., Granite Falls, Minnesota. A total charge of \$25,188.00 is due and payable in a one-time payment.

Nonrecurring Charge: \$25,188.00

Customer:: AT&T
ICB# 2014-WO-9MHLCU

Description: Special construction charges for the installation of 600 feet of fiber optic cable for the provision of DS1 between the Telephone Company's serving wire center located at 400 1st Avenue NW, Plainview, Minnesota to the customer's premise located at 21631 County Road 25, Plainview, Minnesota. A total charge of \$10,424.00 is due and payable in a one-time payment.

Nonrecurring Charge: \$10,424.00

(N)

(N)

ISSUE DATE:
September 16, 2015
Monroe, Louisiana 71203

Issued Under Transmittal No. 75
Vice President-Regulatory Operations
100 CenturyLink Drive

EFFECTIVE DATE:
October 1, 2015

ACCESS SERVICE

14. Special Construction (Cont'd)

14.3 Rates and Charges (Cont'd)

14.3.2 Charges to Provide Permanent Facilities Other Than to the Federal Government (Cont'd)

MINNESOTA (Cont'd)

ICB# 2014-WO-9RXM23

Description: Special construction charges for the installation of 2400 feet of fiber optic cable for the provision of DS3 between the Telephone Company's serving wire center located at 173 Chapel St., Birmingham, Minnesota to the customer's premise located at 93 AV N, Maple Grove, Minnesota. A total charge of \$55,558.00 is due and payable in a one-time payment.

Nonrecurring Charge:

\$55,558.00

(N)

(N)

ISSUE DATE:
March 17, 2017
Monroe, Louisiana 71203

Issued Under Transmittal No. 90
Vice President-Regulatory Operations
100 CenturyLink Drive

EFFECTIVE DATE:
April 1, 2017

ACCESS SERVICE

14. Special Construction (Cont'd)

14.3 Rates and Charges (Cont'd)

14.3.2 Charges to Provide Permanent Facilities Other Than to the Federal Government (Cont'd)

This page is reserved for future use.

(N)

(D)

(D)

**Material deleted from this page now appears in Brightspeed Local Operating Companies
Tariff F.C.C. NO. 9.**

(N)

(N)

ISSUE DATE:
September 19, 2022

Issued Under Transmittal No. 125
Vice President-Regulatory Operations
100 CenturyLink Drive
Monroe, Louisiana 71203

EFFECTIVE DATE:
October 4, 2022

ACCESS SERVICE

14. Special Construction (Cont'd)

14.3 Rates and Charges (Cont'd)

14.3.2 Charges to Provide Permanent Facilities Other Than to the Federal Government (Cont'd)

This page is reserved for future use.

(N)

(D)

(D)

**Material deleted from this page now appears in Brightspeed Local Operating Companies
Tariff F.C.C. NO. 9.**

(N)

(N)

ISSUE DATE:
September 19, 2022

Issued Under Transmittal No. 125
Vice President-Regulatory Operations
100 CenturyLink Drive
Monroe, Louisiana 71203

EFFECTIVE DATE:
October 4, 2022

ACCESS SERVICE

14. Special Construction (Cont'd)

14.3 Rates and Charges (Cont'd)

14.3.2 Charges to Provide Permanent Facilities Other Than to the Federal Government (Cont'd)

This page is reserved for future use.

(N)

(D)

(D)

**Material deleted from this page now appears in Brightspeed Local Operating Companies
Tariff F.C.C. NO. 9.**

(N)

(N)

ISSUE DATE:
September 19, 2022

Issued Under Transmittal No. 125
Vice President-Regulatory Operations
100 CenturyLink Drive
Monroe, Louisiana 71203

EFFECTIVE DATE:
October 4, 2022

ACCESS SERVICE

14. Special Construction (Cont'd)

14.3 Rates and Charges (Cont'd)

14.3.2 Charges to Provide Permanent Facilities Other Than to the Federal Government (Cont'd)

This page is reserved for future use.

(N)

(D)

(D)

**Material deleted from this page now appears in Brightspeed Local Operating Companies
Tariff F.C.C. NO. 9.**

(N)

(N)

ISSUE DATE:
September 19, 2022

Issued Under Transmittal No. 125
Vice President-Regulatory Operations
100 CenturyLink Drive
Monroe, Louisiana 71203

EFFECTIVE DATE:
October 4, 2022

ACCESS SERVICE

14. Special Construction (Cont'd)

14.3 Rates and Charges (Cont'd)

14.3.2 Charges to Provide Permanent Facilities Other Than to the Federal Government (Cont'd)

This page is reserved for future use.

(N)

(D)

(D)

**Material deleted from this page now appears in Brightspeed Local Operating Companies
Tariff F.C.C. NO. 9.**

(N)

(N)

ISSUE DATE:
September 19, 2022

Issued Under Transmittal No. 125
Vice President-Regulatory Operations
100 CenturyLink Drive
Monroe, Louisiana 71203

EFFECTIVE DATE:
October 4, 2022

ACCESS SERVICE

14. Special Construction (Cont'd)

14.3 Rates and Charges (Cont'd)

14.3.2 Charges to Provide Permanent Facilities Other Than to the Federal Government (Cont'd)

This page is reserved for future use.

(N)

(D)

(D)

**Material deleted from this page now appears in Brightspeed Local Operating Companies
Tariff F.C.C. NO. 9.**

(N)

(N)

ISSUE DATE:
September 19, 2022

Issued Under Transmittal No. 125
Vice President-Regulatory Operations
100 CenturyLink Drive
Monroe, Louisiana 71203

EFFECTIVE DATE:
October 4, 2022

ACCESS SERVICE

14. Special Construction (Cont'd)

14.3 Rates and Charges (Cont'd)

14.3.2 Charges to Provide Permanent Facilities Other Than to the Federal Government (Cont'd)

This page is reserved for future use.

(N)

(D)

(D)

**Material deleted from this page now appears in Brightspeed Local Operating Companies
Tariff F.C.C. NO. 9.**

(N)

(N)

ISSUE DATE:
September 19, 2022

Issued Under Transmittal No. 125
Vice President-Regulatory Operations
100 CenturyLink Drive
Monroe, Louisiana 71203

EFFECTIVE DATE:
October 4, 2022

ACCESS SERVICE

14. Special Construction (Cont'd)

14.3 Rates and Charges (Cont'd)

14.3.2 Charges to Provide Permanent Facilities Other Than to the Federal Government (Cont'd)

This page is reserved for future use.

(N)

(D)

(D)

**Material deleted from this page now appears in Brightspeed Local Operating Companies
Tariff F.C.C. NO. 9.**

(N)

(N)

ISSUE DATE:
September 19, 2022

Issued Under Transmittal No. 125
Vice President-Regulatory Operations
100 CenturyLink Drive
Monroe, Louisiana 71203

EFFECTIVE DATE:
October 4, 2022

ACCESS SERVICE

14. Special Construction (Cont'd)

14.3 Rates and Charges (Cont'd)

14.3.2 Charges to Provide Permanent Facilities Other Than to the Federal Government (Cont'd)

This page is reserved for future use.

(N)

(D)

(D)

**Material deleted from this page now appears in Brightspeed Local Operating Companies
Tariff F.C.C. NO. 9.**

(N)

(N)

ISSUE DATE:
September 19, 2022

Issued Under Transmittal No. 125
Vice President-Regulatory Operations
100 CenturyLink Drive
Monroe, Louisiana 71203

EFFECTIVE DATE:
October 4, 2022

ACCESS SERVICE

14. Special Construction (Cont'd)

14.3 Rates and Charges (Cont'd)

14.3.2 Charges to Provide Permanent Facilities Other Than to the Federal Government (Cont'd)

This page is reserved for future use.

(N)

(D)

(D)

**Material deleted from this page now appears in Brightspeed Local Operating Companies
Tariff F.C.C. NO. 9.**

(N)

(N)

ISSUE DATE:
September 19, 2022

Issued Under Transmittal No. 125
Vice President-Regulatory Operations
100 CenturyLink Drive
Monroe, Louisiana 71203

EFFECTIVE DATE:
October 4, 2022

ACCESS SERVICE

14. Special Construction (Cont'd)

14.3 Rates and Charges (Cont'd)

14.3.2 Charges to Provide Permanent Facilities Other Than to the Federal Government (Cont'd)

This page is reserved for future use.

(N)

(D)

(D)

**Material deleted from this page now appears in Brightspeed Local Operating Companies
Tariff F.C.C. NO. 9.**

(N)

(N)

ISSUE DATE:
September 19, 2022

Issued Under Transmittal No. 125
Vice President-Regulatory Operations
100 CenturyLink Drive
Monroe, Louisiana 71203

EFFECTIVE DATE:
October 4, 2022

ACCESS SERVICE

14. Special Construction (Cont'd)

14.3 Rates and Charges (Cont'd)

14.3.2 Charges to Provide Permanent Facilities Other Than to the Federal Government (Cont'd)

This page is reserved for future use.

(N)

(D)

(D)

**Material deleted from this page now appears in Brightspeed Local Operating Companies
Tariff F.C.C. NO. 9.**

(N)

(N)

ISSUE DATE:
September 19, 2022

Issued Under Transmittal No. 125
Vice President-Regulatory Operations
100 CenturyLink Drive
Monroe, Louisiana 71203

EFFECTIVE DATE:
October 4, 2022

ACCESS SERVICE

14. Special Construction (Cont'd)14.3 Rates and Charges (Cont'd)14.3.2 Charges to Provide Permanent Facilities Other Than to the Federal Government (Cont'd)NEBRASKA

<u>Customer Name</u>	<u>Description</u>
Northeast Colorado Cellular % Viaero Wireless 1512 South Locust Street Grand Island, Nebraska 68801 ICB # 2004-WO-5QKSDW	Special construction charges for the installation of 6,900 feet of copper cable for the provision of a DS1 facility from the Telephone Company's central office located at 305 South Walnut, Kimball, Nebraska to the customer's cell site located at 3699 Road 43 East, Kimball, Nebraska.
Nonrecurring Charge: Copper Cable and Taxes & Maintenance	\$11,428.00
<u>USOC</u>	NE030

ISSUE DATE:
February 28, 2011

Issued Under Transmittal No. 1
Vice President-Regulatory Operations
100 CenturyLink Drive
Monroe, Louisiana 71203

EFFECTIVE DATE:
March 1, 2011

ACCESS SERVICE

14. Special Construction (Cont'd)14.3 Rates and Charges (Cont'd)14.3.2 Charges to Provide Permanent Facilities Other Than to the Federal Government (Cont'd)NEBRASKA

<u>Customer Name</u>	<u>Description</u>
Sprint Nextel 6500 Sprint Parkway Overland Park, Kansas 66251 ICB # 2006-WO-6TMMAN	Special construction charges for the installation of 2,000 feet of fiber optic cable for the provision of a DS3 facility from the Telephone Company's central office located at 2806 Avenue D, Scottsbluff, Nebraska to the customer's designated premises located at 4500 Avenue I, Scottsbluff, Nebraska.
Nonrecurring Charge: Fiber Optic Cable and Taxes & Maintenance	\$9,150.00
<u>USOC</u>	NE032

ISSUE DATE:
February 28, 2011

Issued Under Transmittal No. 1
Vice President-Regulatory Operations
100 CenturyLink Drive
Monroe, Louisiana 71203

EFFECTIVE DATE:
March 1, 2011

ACCESS SERVICE

14. Special Construction (Cont'd)
- 14.3 Rates and Charges (Cont'd)
- 14.3.2 Charges to Provide Permanent Facilities Other Than to the Federal Government (Cont'd)

NEBRASKA

<u>Customer Name</u>	<u>Description</u>
Qwest 1801 California Street Denver, Colorado 80202 ICB # 2007-WO-6XJSM3	Special construction charges for the installation of 1,500 feet of fiber optic cable for the provision of a DS3 facility from the Telephone Company's central office located at 2806 Avenue D, Scottsbluff, Nebraska to the customer's designated premises located at 4021 Avenue B, Scottsbluff, Nebraska.
Nonrecurring Charge: Fiber Optic Cable and Taxes & Maintenance	\$6,287.00

ISSUE DATE:
February 28, 2011

Issued Under Transmittal No. 1
Vice President-Regulatory Operations
100 CenturyLink Drive
Monroe, Louisiana 71203

EFFECTIVE DATE:
March 1, 2011

ACCESS SERVICE

14. Special Construction (Cont'd)
- 14.3 Rates and Charges (Cont'd)
- 14.3.2 Charges to Provide Permanent Facilities Other Than to the Federal Government (Cont'd)

NEVADA

<u>Customer Name</u>	<u>Description</u>
Qwest 1801 California Street Denver, Colorado 80202 ICB # 2004-WO-5WRVB4	Special construction charges for the installation of 1,500 feet of copper cable for the provision of a DS3 facility from the Telephone Company central office located at 104 North Water Street, Henderson, Nevada to the customer's cell site located at 617 West Victory Road, Henderson, Nevada.
Nonrecurring Charge: Copper Cable and Taxes & Maintenance	\$9,355.00
<u>USOC</u>	NV088

ISSUE DATE:
February 28, 2011

Issued Under Transmittal No. 1
Vice President-Regulatory Operations
100 CenturyLink Drive
Monroe, Louisiana 71203

EFFECTIVE DATE:
March 1, 2011

ACCESS SERVICE

14. Special Construction (Cont'd)
- 14.3 Rates and Charges (Cont'd)
- 14.3.2 Charges to Provide Permanent Facilities Other Than to the Federal Government (Cont'd)

NEVADA

<u>Customer Name</u>	<u>Description</u>
Sprint Communications, Inc. Access Verification 7171 West 95th Street Overland Park, Kansas 66212 ICB # 2001-WO-4U6RM7	Special construction charges for the installation of 4,850 feet of fiber optic cable for the provision of an OC3c facility between Sprint's POP location at 4110 Giles, Las Vegas, Nevada to the customer's designated premises located at 1645 Cal Edison, Laughlin, Nevada.
Nonrecurring Charge:	\$19,885.00
<u>USOC</u>	NV068

ISSUE DATE:
February 28, 2011

Issued Under Transmittal No. 1
Vice President-Regulatory Operations
100 CenturyLink Drive
Monroe, Louisiana 71203

EFFECTIVE DATE:
March 1, 2011

ACCESS SERVICE

14. Special Construction (Cont'd)
- 14.3 Rates and Charges (Cont'd)
- 14.3.2 Charges to Provide Permanent Facilities Other Than to the Federal Government (Cont'd)

NEVADA

<u>Customer Name</u>	<u>Description</u>
Nevada State Bank 5375 South Arville Street Las Vegas, Nevada 89118 ICB # 2003-WO-5J2S7R	Special construction charges for the installation of 4,200 feet of fiber optic cable for the provision of an OC12 facility between the Telephone Company central office located at 6200 Spring Mountain Road, Las Vegas, Nevada and the customer's designated premises located at 5375 South Arville Street, Las Vegas, Nevada.
Monthly Recurring Charge:	\$722.00
Termination Liability:	The minimum service period is 60 months. If the customer disconnects service prior to the end of the 60th month, termination liability charges equal to 100% of the remaining monthly payments for the 60 month term will apply.
<u>USOC</u>	NV075

ISSUE DATE:
February 28, 2011

Issued Under Transmittal No. 1
Vice President-Regulatory Operations
100 CenturyLink Drive
Monroe, Louisiana 71203

EFFECTIVE DATE:
March 1, 2011

ACCESS SERVICE

14. Special Construction (Cont'd)14.3 Rates and Charges (Cont'd)14.3.2 Charges to Provide Permanent Facilities Other Than to the Federal Government (Cont'd)NEVADA (Cont'd)

<u>Customer Name</u>	<u>Description</u>
Nextel Partners 6880 Bermuda Las Vegas, Nevada 89119 ICB # 2004-WO-67SQP5	Special construction charges for the installation of 1,500 feet of fiber optic cable and 1,175 feet of conduit for the provision of an OC3 facility between the Telephone Company's central office located at 8040 Las Vegas Boulevard South, Las Vegas, Nevada and the customer's designated premises located at 6880 Bermuda, Las Vegas, Nevada.
Monthly Recurring Charge: Fiber Optic Cable, Conduit and Taxes and Maintenance	\$2,132.00
Termination Liability:	The minimum service period is 36 months. If the customer disconnects service prior to the end of the 36th month, termination liability charges equal to 100% of the remaining monthly payments for the 36 month term will apply.
<u>USOC</u>	NV093

ISSUE DATE:
February 28, 2011

Issued Under Transmittal No. 1
Vice President-Regulatory Operations
100 CenturyLink Drive
Monroe, Louisiana 71203

EFFECTIVE DATE:
March 1, 2011

ACCESS SERVICE

14. Special Construction (Cont'd)14.3 Rates and Charges (Cont'd)14.3.2 Charges to Provide Permanent Facilities Other Than to the Federal Government (Cont'd)NEVADA (Cont'd)

<u>Customer Name</u>	<u>Description</u>
Cingular 5600 Glen Ridge Road Atlanta, Georgia 30342 ICB # 2006-WO-6NDMN9	Special construction charges for the installation of 300 feet of fiber optic cable to extend the demarc in order to provide a DS3 facility at the customer's designated premises located at 8450 North Interstate 15 Highway, Las Vegas, Nevada.
Monthly Recurring Charge: Fiber Optic Cable and Taxes and Maintenance	\$371.00
<u>USOC</u>	NV104
Termination Liability:	The minimum service period is 36 months. If the customer disconnects service prior to the end of the 36th month, termination liability charges equal to 100% of the remaining monthly payments for the 36 month term will apply.

ISSUE DATE:
February 28, 2011

Issued Under Transmittal No. 1
Vice President-Regulatory Operations
100 CenturyLink Drive
Monroe, Louisiana 71203

EFFECTIVE DATE:
March 1, 2011

ACCESS SERVICE

14. Special Construction (Cont'd)14.3 Rates and Charges (Cont'd)14.3.2 Charges to Provide Permanent Facilities Other Than to the Federal Government (Cont'd)NEVADA (Cont'd)

<u>Customer Name</u>	<u>Description</u>
Cingular 2000 West SBC Center Drive Hoffman Estates, Illinois ICB # 2007-WO-727SHZ	Special construction charges for the installation of 3,500 feet of fiber optic cable and conduit to provide an OC192 SONET OC Ring from the Telephone Company's central office located at 1033 Nellis BI, Las Vegas, Nevada and the customer's designated premises located at 250 Spectrum Boulevard, Las Vegas, Nevada.
Nonrecurring Charge: Fiber Optic Cable/Conduit and Taxes and Maintenance	\$25,440.00

ISSUE DATE:
February 28, 2011

Issued Under Transmittal No. 1
Vice President-Regulatory Operations
100 CenturyLink Drive
Monroe, Louisiana 71203

EFFECTIVE DATE:
March 1, 2011

ACCESS SERVICE

14. Special Construction (Cont'd)14.3 Rates and Charges (Cont'd)14.3.2 Charges to Provide Permanent Facilities Other Than to the Federal Government (Cont'd)NEVADA (Cont'd)

<u>Customer Name</u>	<u>Description</u>
VYVX 5905 South Decatur Las Vegas, Nevada 89119 ICB # 2007-WO-6YSMQD	Special construction charges for the installation of 700 feet of fiber optic cable for the provision of analog video service from the Telephone Company's central office located at 6200 Spring Mountain Road, Las Vegas, Nevada and the customer's designated premises located at 5905 South Decatur, Las Vegas, Nevada.
Monthly Recurring Charge: Fiber Optic Cable and Taxes and Maintenance	\$328.00
<u>USOC</u>	NV110
Termination Liability:	The minimum service period is 36 months. If the customer disconnects service prior to the end of the 36th month, termination liability charges equal to 100% of the remaining monthly payments for the 36 month term will apply.

ISSUE DATE:
February 28, 2011

Issued Under Transmittal No. 1
Vice President-Regulatory Operations
100 CenturyLink Drive
Monroe, Louisiana 71203

EFFECTIVE DATE:
March 1, 2011

ACCESS SERVICE

14. Special Construction (Cont'd)
- 14.3 Rates and Charges (Cont'd)
- 14.3.2 Charges to Provide Permanent Facilities Other Than to the Federal Government (Cont'd)

NEVADA (Cont'd)

<u>Customer Name</u>	<u>Description</u>
Cricket Wireless 4050 East Cotton Center Boulevard Phoenix, Arizona 85040 ICB # 2008-WO-7HBK8A	Special construction charges for the installation of 2,112 feet of fiber optic cable for the provision of a DS1 facility between the Telephone Company's central office located at 4234 East Tropicana, Las Vegas, Nevada and the customer's cell site located at 4640 East Tropicana, Las Vegas, Nevada.
Nonrecurring Charge: Fiber Optic Cable and Taxes and Maintenance	\$6,000.00

ISSUE DATE:
February 28, 2011

Issued Under Transmittal No. 1
Vice President-Regulatory Operations
100 CenturyLink Drive
Monroe, Louisiana 71203

EFFECTIVE DATE:
March 1, 2011

ACCESS SERVICE

14. Special Construction (Cont'd)

14.3 Rates and Charges (Cont'd)

14.3.2 Charges to Provide Permanent Facilities Other Than to the Federal Government (Cont'd)

NEVADA (Cont'd)

Customer: Qwest
ICB# 2010-WO-89RP9Q
Description: Special construction charges for the installation of 2,000 feet of fiber optic cable for the provision of 10 Mbps Ethernet Virtual Private Line facilities between the Telephone Company's central office located at 7941 Giles, Las Vegas, Nevada and the customer's designated premises located at 6713 S. Eastern Ave., Las Vegas, Nevada. A total charge of \$9,730.00 is due and payable in a one-time payment.

Nonrecurring Charge: \$9,730.00

Customer: Qwest
ICB# 2012-WO-8SZQKP
Description: Special construction charges for the installation of 3,300 feet of fiber optic cable for the provision of 10M EVPL between the Telephone Company's central office located at Kyle Cannon Road, Charleston, Nevada and the customer premise located at 6930 W. Charleston Blvd, Las Vegas, Nevada. A monthly recurring charge of \$822.00 is due each month for a term of 3 years.

Monthly Recurring Charge: \$822.00

Customer: ATT
ICB# 2010-WO-8UL3P3
Description: Special construction charges for the installation of 2,750 feet of fiber optic cable for the provision of 10M Ethernet Virtual Private Line facilities between the Telephone Company's central office located at 6200 Spring Mountain, Las Vegas, Nevada and the customer's designated premises located at Park Place Motorcars LTD, 5605 W. Sahara Ave., Las Vegas, Nevada. A total charge of \$13,438.00 is due and payable in a one-time payment.

Nonrecurring Charge: \$13,438.00

(N)

(N)

ACCESS SERVICE

14. Special Construction (Cont'd)

(N)

14.3 Rates and Charges (Cont'd)

14.3.2 Charges to Provide Permanent Facilities Other Than to the Federal Government (Cont'd)

NEVADA (Cont'd)

Customer: Windstream

ICB# 2013-WO-99AGVN

Description: Special construction charges for the installation of 350 feet of fiber optic cable for the provision of 100 Mbps Ethernet Virtual Private Line facilities between the Telephone Company's service wire center located at 4996 Swenson Ave., Las Vegas, Nevada and the customer premise located at 50 E Dewey Dr., Las Vegas, Nevada. A total charge of \$9,895.00 is due and payable in a one-time payment.

Nonrecurring Charge: \$9,895.00

Customer: Windstream

ICB# 2013-WO-998Q9D

Description: Special construction charges for the installation of 2,409 feet of fiber optic cable for the provision of 100M EVPL between the Telephone Company's service wire center located at 6200 Spring Mtn Rd., Las Vegas, Nevada and the customer premise located at 5625 W Flamingo Rd., Las Vegas, Nevada. A total charge of \$15,868.00 is due and payable in a one-time payment.

Nonrecurring Charge: \$15,868.00

Customer: Windstream

ICB# 2013-WO-9A3NNL

Description: Special construction charges for the installation of 2,000 feet of fiber optic cable for the provision of 10M Ethernet Virtual Private Line facilities between the Telephone Company's service wire center located at 4996 Swenson St., Las Vegas, Nevada and the customer premise located at 4325 W. Patrick Ln., Las Vegas, Nevada. A total charge of \$18,461.00 is due and payable in a one-time payment.

Nonrecurring Charge: \$18,461.00

(N)

ISSUE DATE: Issued Under Transmittal No. 53
March 17, 2014 Vice President-Regulatory Operations
Monroe, Louisiana 71203 100 CenturyLink Drive

EFFECTIVE DATE:
April 1, 2014

ACCESS SERVICE

14. Special Construction (Cont'd)

14.3 Rates and Charges (Cont'd)

14.3.2 Charges to Provide Permanent Facilities Other Than to the Federal Government (Cont'd)

NEVADA (Cont'd)

Customer: Qwest

ICB# 2013-WO-94HVJF

Description: Special construction charges for the installation of 5,500 feet of fiber optic cable for the provision of 50 Mbps Ethernet Virtual Private Line facilities between the Telephone Company's service wire center located at 835 Desert Inn, Las Vegas, Nevada and the customer premise located at 2975 Lincoln Rd., Las Vegas, Nevada. A total charge of \$23,104.00 is due and payable in a one-time payment.

Nonrecurring Charge: \$23,104.00

Customer: Level 3

ICB# 2013-WO-952PY9

Description: Special construction charges for the installation of 3,000 feet of fiber optic cable for the provision of 10M EVPL between the Telephone Company's service wire center located at 1600 E Lake Mead Blvd., Las Vegas, Nevada and the customer premise located at 1750 Karen Ave., Las Vegas, Nevada. A total charge of \$16,162.00 is due and payable in a one-time payment.

Nonrecurring Charge: \$16,162.00

Customer: AT&T

ICB# 2013-WO-9A3FY6

Description: Special construction charges for the installation of 3,408 feet of fiber optic cable for the provision of 20M EVPL between the Telephone Company's service wire center located at 1175 Casino Dr., Laughlin, Nevada and the customer premise located at 4175 South Grand Canyon Drive, Las Vegas, Nevada. A total charge of \$25,905.00 is due and payable in a one-time payment.

Nonrecurring Charge: \$25,905.00

(N)

(N)

ISSUE DATE:
December 17, 2014
Monroe, Louisiana 71203

Issued Under Transmittal No. 63
Vice President-Regulatory Operations
100 CenturyLink Drive

EFFECTIVE DATE:
January 1, 2015

ACCESS SERVICE

14. Special Construction (Cont'd)

14.3 Rates and Charges (Cont'd)

14.3.2 Charges to Provide Permanent Facilities Other Than to the Federal Government (Cont'd)

This page is reserved for future use.

(N)

(D)

(D)

**Material deleted from this page now appears in Brightspeed Local Operating Companies
Tariff F.C.C. NO. 9.**

(N)

(N)

ISSUE DATE:
September 19, 2022

Issued Under Transmittal No. 125
Vice President-Regulatory Operations
100 CenturyLink Drive
Monroe, Louisiana 71203

EFFECTIVE DATE:
October 4, 2022

ACCESS SERVICE

14. Special Construction (Cont'd)

14.3 Rates and Charges (Cont'd)

14.3.2 Charges to Provide Permanent Facilities Other Than to the Federal Government (Cont'd)

This page is reserved for future use.

(N)

(D)

(D)

**Material deleted from this page now appears in Brightspeed Local Operating Companies
Tariff F.C.C. NO. 9.**

(N)

(N)

ISSUE DATE:
September 19, 2022

Issued Under Transmittal No. 125
Vice President-Regulatory Operations
100 CenturyLink Drive
Monroe, Louisiana 71203

EFFECTIVE DATE:
October 4, 2022

ACCESS SERVICE

14. Special Construction (Cont'd)

14.3 Rates and Charges (Cont'd)

14.3.2 Charges to Provide Permanent Facilities Other Than to the Federal Government (Cont'd)

This page is reserved for future use.

(N)

(D)

(D)

**Material deleted from this page now appears in Brightspeed Local Operating Companies
Tariff F.C.C. NO. 9.**

(N)

(N)

ISSUE DATE:
September 19, 2022

Issued Under Transmittal No. 125
Vice President-Regulatory Operations
100 CenturyLink Drive
Monroe, Louisiana 71203

EFFECTIVE DATE:
October 4, 2022

ACCESS SERVICE

14. Special Construction (Cont'd)

14.3 Rates and Charges (Cont'd)

14.3.2 Charges to Provide Permanent Facilities Other Than to the Federal Government (Cont'd)

This page is reserved for future use.

(N)

(D)

(D)

**Material deleted from this page now appears in Brightspeed Local Operating Companies
Tariff F.C.C. NO. 9.**

(N)

(N)

ISSUE DATE:
September 19, 2022

Issued Under Transmittal No. 125
Vice President-Regulatory Operations
100 CenturyLink Drive
Monroe, Louisiana 71203

EFFECTIVE DATE:
October 4, 2022

ACCESS SERVICE

14. Special Construction (Cont'd)

14.3 Rates and Charges (Cont'd)

14.3.2 Charges to Provide Permanent Facilities Other Than to the Federal Government (Cont'd)

This page is reserved for future use.

(N)

(D)

(D)

**Material deleted from this page now appears in Brightspeed Local Operating Companies
Tariff F.C.C. NO. 9.**

(N)

(N)

ISSUE DATE:
September 19, 2022

Issued Under Transmittal No. 125
Vice President-Regulatory Operations
100 CenturyLink Drive
Monroe, Louisiana 71203

EFFECTIVE DATE:
October 4, 2022

ACCESS SERVICE

14. Special Construction (Cont'd)

14.3 Rates and Charges (Cont'd)

14.3.2 Charges to Provide Permanent Facilities Other Than to the Federal Government (Cont'd)

This page is reserved for future use.

(N)

(D)

(D)

**Material deleted from this page now appears in Brightspeed Local Operating Companies
Tariff F.C.C. NO. 9.**

(N)

(N)

ISSUE DATE:
September 19, 2022

Issued Under Transmittal No. 125
Vice President-Regulatory Operations
100 CenturyLink Drive
Monroe, Louisiana 71203

EFFECTIVE DATE:
October 4, 2022

ACCESS SERVICE

14. Special Construction (Cont'd)

14.3 Rates and Charges (Cont'd)

14.3.2 Charges to Provide Permanent Facilities Other Than to the Federal Government (Cont'd)

This page is reserved for future use.

(N)

(D)

(D)

**Material deleted from this page now appears in Brightspeed Local Operating Companies
Tariff F.C.C. NO. 9.**

(N)

(N)

ISSUE DATE:
September 19, 2022

Issued Under Transmittal No. 125
Vice President-Regulatory Operations
100 CenturyLink Drive
Monroe, Louisiana 71203

EFFECTIVE DATE:
October 4, 2022

ACCESS SERVICE

14. Special Construction (Cont'd)

14.3 Rates and Charges (Cont'd)

14.3.2 Charges to Provide Permanent Facilities Other Than to the Federal Government (Cont'd)

This page is reserved for future use.

(N)

(D)

(D)

**Material deleted from this page now appears in Brightspeed Local Operating Companies
Tariff F.C.C. NO. 9.**

(N)

(N)

ISSUE DATE:
September 19, 2022

Issued Under Transmittal No. 125
Vice President-Regulatory Operations
100 CenturyLink Drive
Monroe, Louisiana 71203

EFFECTIVE DATE:
October 4, 2022

ACCESS SERVICE

14. Special Construction (Cont'd)

14.3 Rates and Charges (Cont'd)

14.3.2 Charges to Provide Permanent Facilities Other Than to the Federal Government (Cont'd)

This page is reserved for future use.

(N)

(D)

(D)

**Material deleted from this page now appears in Brightspeed Local Operating Companies
Tariff F.C.C. NO. 9.**

(N)

(N)

ISSUE DATE:
September 19, 2022

Issued Under Transmittal No. 125
Vice President-Regulatory Operations
100 CenturyLink Drive
Monroe, Louisiana 71203

EFFECTIVE DATE:
October 4, 2022

ACCESS SERVICE

14. Special Construction (Cont'd)

14.3 Rates and Charges (Cont'd)

14.3.2 Charges to Provide Permanent Facilities Other Than to the Federal Government (Cont'd)

This page is reserved for future use.

(N)

(D)

(D)

**Material deleted from this page now appears in Brightspeed Local Operating Companies
Tariff F.C.C. NO. 9.**

(N)

(N)

ISSUE DATE:
September 19, 2022

Issued Under Transmittal No. 125
Vice President-Regulatory Operations
100 CenturyLink Drive
Monroe, Louisiana 71203

EFFECTIVE DATE:
October 4, 2022

ACCESS SERVICE

14. Special Construction (Cont'd)

14.3 Rates and Charges (Cont'd)

14.3.2 Charges to Provide Permanent Facilities Other Than to the Federal Government (Cont'd)

This page is reserved for future use.

(N)

(D)

(D)

**Material deleted from this page now appears in Brightspeed Local Operating Companies
Tariff F.C.C. NO. 9.**

(N)

(N)

ISSUE DATE:
September 19, 2022

Issued Under Transmittal No. 125
Vice President-Regulatory Operations
100 CenturyLink Drive
Monroe, Louisiana 71203

EFFECTIVE DATE:
October 4, 2022

ACCESS SERVICE

14. Special Construction (Cont'd)

14.3 Rates and Charges (Cont'd)

14.3.2 Charges to Provide Permanent Facilities Other Than to the Federal Government (Cont'd)

This page is reserved for future use.

(N)

(D)

(D)

**Material deleted from this page now appears in Brightspeed Local Operating Companies
Tariff F.C.C. NO. 9.**

(N)

(N)

ISSUE DATE:
September 19, 2022

Issued Under Transmittal No. 125
Vice President-Regulatory Operations
100 CenturyLink Drive
Monroe, Louisiana 71203

EFFECTIVE DATE:
October 4, 2022

ACCESS SERVICE

14. Special Construction (Cont'd)

14.3 Rates and Charges (Cont'd)

14.3.2 Charges to Provide Permanent Facilities Other Than to the Federal Government (Cont'd)

This page is reserved for future use.

(N)

(D)

(D)

**Material deleted from this page now appears in Brightspeed Local Operating Companies
Tariff F.C.C. NO. 9.**

(N)

(N)

ISSUE DATE:
September 19, 2022

Issued Under Transmittal No. 125
Vice President-Regulatory Operations
100 CenturyLink Drive
Monroe, Louisiana 71203

EFFECTIVE DATE:
October 4, 2022

ACCESS SERVICE

14. Special Construction (Cont'd)

14.3 Rates and Charges (Cont'd)

14.3.2 Charges to Provide Permanent Facilities Other Than to the Federal Government (Cont'd)

This page is reserved for future use.

(N)

(D)

(D)

**Material deleted from this page now appears in Brightspeed Local Operating Companies
Tariff F.C.C. NO. 9.**

(N)

(N)

ISSUE DATE:
September 19, 2022

Issued Under Transmittal No. 125
Vice President-Regulatory Operations
100 CenturyLink Drive
Monroe, Louisiana 71203

EFFECTIVE DATE:
October 4, 2022

ACCESS SERVICE

14. Special Construction (Cont'd)

14.3 Rates and Charges (Cont'd)

14.3.2 Charges to Provide Permanent Facilities Other Than to the Federal Government (Cont'd)

This page is reserved for future use.

(N)

(D)

(D)

**Material deleted from this page now appears in Brightspeed Local Operating Companies
Tariff F.C.C. NO. 9.**

(N)

(N)

ISSUE DATE:
September 19, 2022

Issued Under Transmittal No. 125
Vice President-Regulatory Operations
100 CenturyLink Drive
Monroe, Louisiana 71203

EFFECTIVE DATE:
October 4, 2022

ACCESS SERVICE

14. Special Construction (Cont'd)

14.3 Rates and Charges (Cont'd)

14.3.2 Charges to Provide Permanent Facilities Other Than to the Federal Government (Cont'd)

This page is reserved for future use.

(N)

(D)

(D)

**Material deleted from this page now appears in Brightspeed Local Operating Companies
Tariff F.C.C. NO. 9.**

(N)

(N)

ISSUE DATE:
September 19, 2022

Issued Under Transmittal No. 125
Vice President-Regulatory Operations
100 CenturyLink Drive
Monroe, Louisiana 71203

EFFECTIVE DATE:
October 4, 2022

ACCESS SERVICE

14. Special Construction (Cont'd)

14.3 Rates and Charges (Cont'd)

14.3.2 Charges to Provide Permanent Facilities Other Than to the Federal Government (Cont'd)

This page is reserved for future use.

(N)

(D)

(D)

**Material deleted from this page now appears in Brightspeed Local Operating Companies
Tariff F.C.C. NO. 9.**

(N)

(N)

ISSUE DATE:
September 19, 2022

Issued Under Transmittal No. 125
Vice President-Regulatory Operations
100 CenturyLink Drive
Monroe, Louisiana 71203

EFFECTIVE DATE:
October 4, 2022

ACCESS SERVICE

14. Special Construction (Cont'd)

14.3 Rates and Charges (Cont'd)

14.3.2 Charges to Provide Permanent Facilities Other Than to the Federal Government (Cont'd)

This page is reserved for future use.

**Material deleted from this page now appears in Brightspeed Local Operating Companies
Tariff F.C.C. NO. 9.**

ISSUE DATE:
September 19, 2022

Issued Under Transmittal No. 125
Vice President-Regulatory Operations
100 CenturyLink Drive
Monroe, Louisiana 71203

EFFECTIVE DATE:
October 4, 2022

ACCESS SERVICE

14. Special Construction (Cont'd)

14.3 Rates and Charges (Cont'd)

14.3.2 Charges to Provide Permanent Facilities Other Than to the Federal Government (Cont'd)

This page is reserved for future use.

(N)

(D)

(D)

**Material deleted from this page now appears in Brightspeed Local Operating Companies
Tariff F.C.C. NO. 9.**

(N)

(N)

ISSUE DATE:
September 19, 2022

Issued Under Transmittal No. 125
Vice President-Regulatory Operations
100 CenturyLink Drive
Monroe, Louisiana 71203

EFFECTIVE DATE:
October 4, 2022

ACCESS SERVICE

14. Special Construction (Cont'd)

14.3 Rates and Charges (Cont'd)

14.3.2 Charges to Provide Permanent Facilities Other Than to the Federal Government (Cont'd)

This page is reserved for future use.

(N)

(D)

(D)

**Material deleted from this page now appears in Brightspeed Local Operating Companies
Tariff F.C.C. NO. 9.**

(N)

(N)

ISSUE DATE:
September 19, 2022

Issued Under Transmittal No. 125
Vice President-Regulatory Operations
100 CenturyLink Drive
Monroe, Louisiana 71203

EFFECTIVE DATE:
October 4, 2022

ACCESS SERVICE

14. Special Construction (Cont'd)

14.3 Rates and Charges (Cont'd)

14.3.2 Charges to Provide Permanent Facilities Other Than to the Federal Government (Cont'd)

This page is reserved for future use.

(N)

(D)

(D)

**Material deleted from this page now appears in Brightspeed Local Operating Companies
Tariff F.C.C. NO. 9.**

(N)

(N)

ISSUE DATE:
September 19, 2022

Issued Under Transmittal No. 125
Vice President-Regulatory Operations
100 CenturyLink Drive
Monroe, Louisiana 71203

EFFECTIVE DATE:
October 4, 2022

ACCESS SERVICE

14. Special Construction (Cont'd)

14.3 Rates and Charges (Cont'd)

14.3.2 Charges to Provide Permanent Facilities Other Than to the Federal Government (Cont'd)

This page is reserved for future use.

(N)

(D)

(D)

**Material deleted from this page now appears in Brightspeed Local Operating Companies
Tariff F.C.C. NO. 9.**

(N)

(N)

ISSUE DATE:
September 19, 2022

Issued Under Transmittal No. 125
Vice President-Regulatory Operations
100 CenturyLink Drive
Monroe, Louisiana 71203

EFFECTIVE DATE:
October 4, 2022

ACCESS SERVICE

14. Special Construction (Cont'd)

14.3 Rates and Charges (Cont'd)

14.3.2 Charges to Provide Permanent Facilities Other Than to the Federal Government (Cont'd)

This page is reserved for future use.

(N)

(D)

(D)

**Material deleted from this page now appears in Brightspeed Local Operating Companies
Tariff F.C.C. NO. 9.**

(N)

(N)

ISSUE DATE:
September 19, 2022

Issued Under Transmittal No. 125
Vice President-Regulatory Operations
100 CenturyLink Drive
Monroe, Louisiana 71203

EFFECTIVE DATE:
October 4, 2022

ACCESS SERVICE

14. Special Construction (Cont'd)

14.3 Rates and Charges (Cont'd)

14.3.2 Charges to Provide Permanent Facilities Other Than to the Federal Government (Cont'd)

This page is reserved for future use.

(N)

(D)

(D)

**Material deleted from this page now appears in Brightspeed Local Operating Companies
Tariff F.C.C. NO. 9.**

(N)

(N)

ISSUE DATE:
September 19, 2022

Issued Under Transmittal No. 125
Vice President-Regulatory Operations
100 CenturyLink Drive
Monroe, Louisiana 71203

EFFECTIVE DATE:
October 4, 2022

ACCESS SERVICE

14. Special Construction (Cont'd)

14.3 Rates and Charges (Cont'd)

14.3.2 Charges to Provide Permanent Facilities Other Than to the Federal Government (Cont'd)

This page is reserved for future use.

(N)

(D)

(D)

**Material deleted from this page now appears in Brightspeed Local Operating Companies
Tariff F.C.C. NO. 9.**

(N)

(N)

ISSUE DATE:
September 19, 2022

Issued Under Transmittal No. 125
Vice President-Regulatory Operations
100 CenturyLink Drive
Monroe, Louisiana 71203

EFFECTIVE DATE:
October 4, 2022

ACCESS SERVICE

14. Special Construction (Cont'd)

14.3 Rates and Charges (Cont'd)

14.3.2 Charges to Provide Permanent Facilities Other Than to the Federal Government (Cont'd)

This page is reserved for future use.

(N)

(D)

(D)

**Material deleted from this page now appears in Brightspeed Local Operating Companies
Tariff F.C.C. NO. 9.**

(N)

(N)

ISSUE DATE:
September 19, 2022

Issued Under Transmittal No. 125
Vice President-Regulatory Operations
100 CenturyLink Drive
Monroe, Louisiana 71203

EFFECTIVE DATE:
October 4, 2022

ACCESS SERVICE

14. Special Construction (Cont'd)

14.3 Rates and Charges (Cont'd)

14.3.2 Charges to Provide Permanent Facilities Other Than to the Federal Government (Cont'd)

This page is reserved for future use.

(N)

(D)

(D)

**Material deleted from this page now appears in Brightspeed Local Operating Companies
Tariff F.C.C. NO. 9.**

(N)

(N)

ISSUE DATE:
September 19, 2022

Issued Under Transmittal No. 125
Vice President-Regulatory Operations
100 CenturyLink Drive
Monroe, Louisiana 71203

EFFECTIVE DATE:
October 4, 2022

ACCESS SERVICE

14. Special Construction (Cont'd)

14.3 Rates and Charges (Cont'd)

14.3.2 Charges to Provide Permanent Facilities Other Than to the Federal Government (Cont'd)

This page is reserved for future use.

(N)

(D)

(D)

**Material deleted from this page now appears in Brightspeed Local Operating Companies
Tariff F.C.C. NO. 9.**

(N)

(N)

ISSUE DATE:
September 19, 2022

Issued Under Transmittal No. 125
Vice President-Regulatory Operations
100 CenturyLink Drive
Monroe, Louisiana 71203

EFFECTIVE DATE:
October 4, 2022

ACCESS SERVICE

14. Special Construction (Cont'd)

14.3 Rates and Charges (Cont'd)

14.3.2 Charges to Provide Permanent Facilities Other Than to the Federal Government (Cont'd)

This page is reserved for future use.

(N)

(D)

(D)

**Material deleted from this page now appears in Brightspeed Local Operating Companies
Tariff F.C.C. NO. 9.**

(N)

(N)

ISSUE DATE:
September 19, 2022

Issued Under Transmittal No. 125
Vice President-Regulatory Operations
100 CenturyLink Drive
Monroe, Louisiana 71203

EFFECTIVE DATE:
October 4, 2022

ACCESS SERVICE

14. Special Construction (Cont'd)

14.3 Rates and Charges (Cont'd)

14.3.2 Charges to Provide Permanent Facilities Other Than to the Federal Government (Cont'd)

This page is reserved for future use.

(N)

(D)

(D)

**Material deleted from this page now appears in Brightspeed Local Operating Companies
Tariff F.C.C. NO. 9.**

(N)

(N)

ISSUE DATE:
September 19, 2022

Issued Under Transmittal No. 125
Vice President-Regulatory Operations
100 CenturyLink Drive
Monroe, Louisiana 71203

EFFECTIVE DATE:
October 4, 2022

ACCESS SERVICE

14. Special Construction (Cont'd)

14.3 Rates and Charges (Cont'd)

14.3.2 Charges to Provide Permanent Facilities Other Than to the Federal Government (Cont'd)

This page is reserved for future use.

(N)

(D)

(D)

**Material deleted from this page now appears in Brightspeed Local Operating Companies
Tariff F.C.C. NO. 9.**

(N)

(N)

ISSUE DATE:
September 19, 2022

Issued Under Transmittal No. 125
Vice President-Regulatory Operations
100 CenturyLink Drive
Monroe, Louisiana 71203

EFFECTIVE DATE:
October 4, 2022

ACCESS SERVICE

14. Special Construction (Cont'd)

14.3 Rates and Charges (Cont'd)

14.3.2 Charges to Provide Permanent Facilities Other Than to the Federal Government (Cont'd)

This page is reserved for future use.

(N)

(D)

(D)

**Material deleted from this page now appears in Brightspeed Local Operating Companies
Tariff F.C.C. NO. 9.**

(N)

(N)

ISSUE DATE:
September 19, 2022

Issued Under Transmittal No. 125
Vice President-Regulatory Operations
100 CenturyLink Drive
Monroe, Louisiana 71203

EFFECTIVE DATE:
October 4, 2022

ACCESS SERVICE

14. Special Construction (Cont'd)

14.3 Rates and Charges (Cont'd)

14.3.2 Charges to Provide Permanent Facilities Other Than to the Federal Government (Cont'd)

This page is reserved for future use.

(N)

(D)

(D)

**Material deleted from this page now appears in Brightspeed Local Operating Companies
Tariff F.C.C. NO. 9.**

(N)

(N)

ISSUE DATE:
September 19, 2022

Issued Under Transmittal No. 125
Vice President-Regulatory Operations
100 CenturyLink Drive
Monroe, Louisiana 71203

EFFECTIVE DATE:
October 4, 2022

ACCESS SERVICE

14. Special Construction (Cont'd)

14.3 Rates and Charges (Cont'd)

14.3.2 Charges to Provide Permanent Facilities Other Than to the Federal Government (Cont'd)

This page is reserved for future use.

(N)

(D)

(D)

**Material deleted from this page now appears in Brightspeed Local Operating Companies
Tariff F.C.C. NO. 9.**

(N)

(N)

ISSUE DATE:
September 19, 2022

Issued Under Transmittal No. 125
Vice President-Regulatory Operations
100 CenturyLink Drive
Monroe, Louisiana 71203

EFFECTIVE DATE:
October 4, 2022

ACCESS SERVICE

14. Special Construction (Cont'd)

14.3 Rates and Charges (Cont'd)

14.3.2 Charges to Provide Permanent Facilities Other Than to the Federal Government (Cont'd)

This page is reserved for future use.

(N)

(D)

(D)

**Material deleted from this page now appears in Brightspeed Local Operating Companies
Tariff F.C.C. NO. 9.**

(N)

(N)

ISSUE DATE:
September 19, 2022

Issued Under Transmittal No. 125
Vice President-Regulatory Operations
100 CenturyLink Drive
Monroe, Louisiana 71203

EFFECTIVE DATE:
October 4, 2022

ACCESS SERVICE

14. Special Construction (Cont'd)

14.3 Rates and Charges (Cont'd)

14.3.2 Charges to Provide Permanent Facilities Other Than to the Federal Government (Cont'd)

This page is reserved for future use.

(N)

(D)

(D)

**Material deleted from this page now appears in Brightspeed Local Operating Companies
Tariff F.C.C. NO. 9.**

(N)

(N)

ISSUE DATE:
September 19, 2022

Issued Under Transmittal No. 125
Vice President-Regulatory Operations
100 CenturyLink Drive
Monroe, Louisiana 71203

EFFECTIVE DATE:
October 4, 2022

ACCESS SERVICE

14. Special Construction (Cont'd)

14.3 Rates and Charges (Cont'd)

14.3.2 Charges to Provide Permanent Facilities Other Than to the Federal Government (Cont'd)

This page is reserved for future use.

(N)

(D)

(D)

**Material deleted from this page now appears in Brightspeed Local Operating Companies
Tariff F.C.C. NO. 9.**

(N)

(N)

ISSUE DATE:
September 19, 2022

Issued Under Transmittal No. 125
Vice President-Regulatory Operations
100 CenturyLink Drive
Monroe, Louisiana 71203

EFFECTIVE DATE:
October 4, 2022

ACCESS SERVICE

14. Special Construction (Cont'd)

14.3 Rates and Charges (Cont'd)

14.3.2 Charges to Provide Permanent Facilities Other Than to the Federal Government (Cont'd)

This page is reserved for future use.

(N)

(D)

(D)

**Material deleted from this page now appears in Brightspeed Local Operating Companies
Tariff F.C.C. NO. 9.**

(N)

(N)

ISSUE DATE:
September 19, 2022

Issued Under Transmittal No. 125
Vice President-Regulatory Operations
100 CenturyLink Drive
Monroe, Louisiana 71203

EFFECTIVE DATE:
October 4, 2022

ACCESS SERVICE

14. Special Construction (Cont'd)

14.3 Rates and Charges (Cont'd)

14.3.2 Charges to Provide Permanent Facilities Other Than to the Federal Government (Cont'd)

This page is reserved for future use.

(N)

(D)

(D)

**Material deleted from this page now appears in Brightspeed Local Operating Companies
Tariff F.C.C. NO. 9.**

(N)

(N)

ISSUE DATE:
September 19, 2022

Issued Under Transmittal No. 125
Vice President-Regulatory Operations
100 CenturyLink Drive
Monroe, Louisiana 71203

EFFECTIVE DATE:
October 4, 2022

ACCESS SERVICE

14. Special Construction (Cont'd)

14.3 Rates and Charges (Cont'd)

14.3.2 Charges to Provide Permanent Facilities Other Than to the Federal Government (Cont'd)

This page is reserved for future use.

(N)

(D)

(D)

**Material deleted from this page now appears in Brightspeed Local Operating Companies
Tariff F.C.C. NO. 9.**

(N)

(N)

ISSUE DATE:
September 19, 2022

Issued Under Transmittal No. 125
Vice President-Regulatory Operations
100 CenturyLink Drive
Monroe, Louisiana 71203

EFFECTIVE DATE:
October 4, 2022

ACCESS SERVICE

14. Special Construction (Cont'd)

14.3 Rates and Charges (Cont'd)

14.3.2 Charges to Provide Permanent Facilities Other Than to the Federal Government (Cont'd)

This page is reserved for future use.

(N)

(D)

(D)

**Material deleted from this page now appears in Brightspeed Local Operating Companies
Tariff F.C.C. NO. 9.**

(N)

(N)

ISSUE DATE:
September 19, 2022

Issued Under Transmittal No. 125
Vice President-Regulatory Operations
100 CenturyLink Drive
Monroe, Louisiana 71203

EFFECTIVE DATE:
October 4, 2022

ACCESS SERVICE

14. Special Construction (Cont'd)

14.3 Rates and Charges (Cont'd)

14.3.2 Charges to Provide Permanent Facilities Other Than to the Federal Government (Cont'd)

This page is reserved for future use.

(N)

(D)

(D)

**Material deleted from this page now appears in Brightspeed Local Operating Companies
Tariff F.C.C. NO. 9.**

(N)

(N)

ISSUE DATE:
September 19, 2022

Issued Under Transmittal No. 125
Vice President-Regulatory Operations
100 CenturyLink Drive
Monroe, Louisiana 71203

EFFECTIVE DATE:
October 4, 2022

ACCESS SERVICE

14. Special Construction (Cont'd)

14.3 Rates and Charges (Cont'd)

14.3.2 Charges to Provide Permanent Facilities Other Than to the Federal Government (Cont'd)

This page is reserved for future use.

(N)

(D)

(D)

**Material deleted from this page now appears in Brightspeed Local Operating Companies
Tariff F.C.C. NO. 9.**

(N)

(N)

ISSUE DATE:
September 19, 2022

Issued Under Transmittal No. 125
Vice President-Regulatory Operations
100 CenturyLink Drive
Monroe, Louisiana 71203

EFFECTIVE DATE:
October 4, 2022

ACCESS SERVICE

14. Special Construction (Cont'd)

14.3 Rates and Charges (Cont'd)

14.3.2 Charges to Provide Permanent Facilities Other Than to the Federal Government (Cont'd)

This page is reserved for future use.

(N)

(D)

(D)

**Material deleted from this page now appears in Brightspeed Local Operating Companies
Tariff F.C.C. NO. 9.**

(N)

(N)

ISSUE DATE:
September 19, 2022

Issued Under Transmittal No. 125
Vice President-Regulatory Operations
100 CenturyLink Drive
Monroe, Louisiana 71203

EFFECTIVE DATE:
October 4, 2022

ACCESS SERVICE

14. Special Construction (Cont'd)

14.3 Rates and Charges (Cont'd)

14.3.2 Charges to Provide Permanent Facilities Other Than to the Federal Government (Cont'd)

This page is reserved for future use.

(N)

(D)

(D)

**Material deleted from this page now appears in Brightspeed Local Operating Companies
Tariff F.C.C. NO. 9.**

(N)

(N)

ISSUE DATE:
September 19, 2022

Issued Under Transmittal No. 125
Vice President-Regulatory Operations
100 CenturyLink Drive
Monroe, Louisiana 71203

EFFECTIVE DATE:
October 4, 2022

ACCESS SERVICE

14. Special Construction (Cont'd)

14.3 Rates and Charges (Cont'd)

14.3.2 Charges to Provide Permanent Facilities Other Than to the Federal Government (Cont'd)

This page is reserved for future use.

(N)

(D)

(D)

**Material deleted from this page now appears in Brightspeed Local Operating Companies
Tariff F.C.C. NO. 9.**

(N)

(N)

ISSUE DATE:
September 19, 2022

Issued Under Transmittal No. 125
Vice President-Regulatory Operations
100 CenturyLink Drive
Monroe, Louisiana 71203

EFFECTIVE DATE:
October 4, 2022

ACCESS SERVICE

14. Special Construction (Cont'd)

14.3 Rates and Charges (Cont'd)

14.3.2 Charges to Provide Permanent Facilities Other Than to the Federal Government (Cont'd)

This page is reserved for future use.

(N)

(D)

(D)

**Material deleted from this page now appears in Brightspeed Local Operating Companies
Tariff F.C.C. NO. 9.**

(N)

(N)

ISSUE DATE:
September 19, 2022

Issued Under Transmittal No. 125
Vice President-Regulatory Operations
100 CenturyLink Drive
Monroe, Louisiana 71203

EFFECTIVE DATE:
October 4, 2022

ACCESS SERVICE

14. Special Construction (Cont'd)

14.3 Rates and Charges (Cont'd)

14.3.2 Charges to Provide Permanent Facilities Other Than to the Federal Government (Cont'd)

This page is reserved for future use.

(N)

(D)

(D)

**Material deleted from this page now appears in Brightspeed Local Operating Companies
Tariff F.C.C. NO. 9.**

(N)

(N)

ISSUE DATE:
September 19, 2022

Issued Under Transmittal No. 125
Vice President-Regulatory Operations
100 CenturyLink Drive
Monroe, Louisiana 71203

EFFECTIVE DATE:
October 4, 2022

ACCESS SERVICE

14. Special Construction (Cont'd)

14.3 Rates and Charges (Cont'd)

14.3.2 Charges to Provide Permanent Facilities Other Than to the Federal Government (Cont'd)

This page is reserved for future use.

(N)

(D)

(D)

**Material deleted from this page now appears in Brightspeed Local Operating Companies
Tariff F.C.C. NO. 9.**

(N)

(N)

ISSUE DATE:
September 19, 2022

Issued Under Transmittal No. 125
Vice President-Regulatory Operations
100 CenturyLink Drive
Monroe, Louisiana 71203

EFFECTIVE DATE:
October 4, 2022

ACCESS SERVICE

14. Special Construction (Cont'd)

14.3 Rates and Charges (Cont'd)

14.3.2 Charges to Provide Permanent Facilities Other Than to the Federal Government (Cont'd)

This page is reserved for future use.

(N)

(D)

(D)

**Material deleted from this page now appears in Brightspeed Local Operating Companies
Tariff F.C.C. NO. 9.**

(N)

(N)

ISSUE DATE:
September 19, 2022

Issued Under Transmittal No. 125
Vice President-Regulatory Operations
100 CenturyLink Drive
Monroe, Louisiana 71203

EFFECTIVE DATE:
October 4, 2022

ACCESS SERVICE

14. Special Construction (Cont'd)

14.3 Rates and Charges (Cont'd)

14.3.2 Charges to Provide Permanent Facilities Other Than to the Federal Government (Cont'd)

This page is reserved for future use.

(N)

(D)

(D)

**Material deleted from this page now appears in Brightspeed Local Operating Companies
Tariff F.C.C. NO. 9.**

(N)

(N)

ISSUE DATE:
September 19, 2022

Issued Under Transmittal No. 125
Vice President-Regulatory Operations
100 CenturyLink Drive
Monroe, Louisiana 71203

EFFECTIVE DATE:
October 4, 2022

ACCESS SERVICE

14. Special Construction (Cont'd)

14.3 Rates and Charges (Cont'd)

14.3.2 Charges to Provide Permanent Facilities Other Than to the Federal Government (Cont'd)

This page is reserved for future use.

(N)

(D)

(D)

**Material deleted from this page now appears in Brightspeed Local Operating Companies
Tariff F.C.C. NO. 9.**

(N)

(N)

ISSUE DATE:
September 19, 2022

Issued Under Transmittal No. 125
Vice President-Regulatory Operations
100 CenturyLink Drive
Monroe, Louisiana 71203

EFFECTIVE DATE:
October 4, 2022

ACCESS SERVICE

14. Special Construction (Cont'd)

14.3 Rates and Charges (Cont'd)

14.3.2 Charges to Provide Permanent Facilities Other Than to the Federal Government (Cont'd)

This page is reserved for future use.

(N)

(D)

(D)

**Material deleted from this page now appears in Brightspeed Local Operating Companies
Tariff F.C.C. NO. 9.**

(N)

(N)

ISSUE DATE:
September 19, 2022

Issued Under Transmittal No. 125
Vice President-Regulatory Operations
100 CenturyLink Drive
Monroe, Louisiana 71203

EFFECTIVE DATE:
October 4, 2022

ACCESS SERVICE

14. Special Construction (Cont'd)

14.3 Rates and Charges (Cont'd)

14.3.2 Charges to Provide Permanent Facilities Other Than to the Federal Government (Cont'd)

This page is reserved for future use.

(N)

(D)

(D)

**Material deleted from this page now appears in Brightspeed Local Operating Companies
Tariff F.C.C. NO. 9.**

(N)

(N)

ISSUE DATE:
September 19, 2022

Issued Under Transmittal No. 125
Vice President-Regulatory Operations
100 CenturyLink Drive
Monroe, Louisiana 71203

EFFECTIVE DATE:
October 4, 2022

ACCESS SERVICE

14. Special Construction (Cont'd)

14.3 Rates and Charges (Cont'd)

14.3.2 Charges to Provide Permanent Facilities Other Than to the Federal Government (Cont'd)

This page is reserved for future use.

(N)

(D)

(D)

**Material deleted from this page now appears in Brightspeed Local Operating Companies
Tariff F.C.C. NO. 9.**

(N)

(N)

ISSUE DATE:
September 19, 2022

Issued Under Transmittal No. 125
Vice President-Regulatory Operations
100 CenturyLink Drive
Monroe, Louisiana 71203

EFFECTIVE DATE:
October 4, 2022

ACCESS SERVICE

14. Special Construction (Cont'd)

14.3 Rates and Charges (Cont'd)

14.3.2 Charges to Provide Permanent Facilities Other Than to the Federal Government (Cont'd)

This page is reserved for future use.

(N)

(D)

(D)

**Material deleted from this page now appears in Brightspeed Local Operating Companies
Tariff F.C.C. NO. 9.**

(N)

(N)

ISSUE DATE:
September 19, 2022

Issued Under Transmittal No. 125
Vice President-Regulatory Operations
100 CenturyLink Drive
Monroe, Louisiana 71203

EFFECTIVE DATE:
October 4, 2022

ACCESS SERVICE

14. Special Construction (Cont'd)

14.3 Rates and Charges (Cont'd)

14.3.2 Charges to Provide Permanent Facilities Other Than to the Federal Government (Cont'd)

This page is reserved for future use.

(N)

(D)

(D)

**Material deleted from this page now appears in Brightspeed Local Operating Companies
Tariff F.C.C. NO. 9.**

(N)

(N)

ISSUE DATE:
September 19, 2022

Issued Under Transmittal No. 125
Vice President-Regulatory Operations
100 CenturyLink Drive
Monroe, Louisiana 71203

EFFECTIVE DATE:
October 4, 2022

ACCESS SERVICE

14. Special Construction (Cont'd)

14.3 Rates and Charges (Cont'd)

14.3.2 Charges to Provide Permanent Facilities Other Than to the Federal Government (Cont'd)

This page is reserved for future use.

(N)

(D)

(D)

**Material deleted from this page now appears in Brightspeed Local Operating Companies
Tariff F.C.C. NO. 9.**

(N)

(N)

ISSUE DATE:
September 19, 2022

Issued Under Transmittal No. 125
Vice President-Regulatory Operations
100 CenturyLink Drive
Monroe, Louisiana 71203

EFFECTIVE DATE:
October 4, 2022

ACCESS SERVICE

14. Special Construction (Cont'd)

14.3 Rates and Charges (Cont'd)

14.3.2 Charges to Provide Permanent Facilities Other Than to the Federal Government (Cont'd)

This page is reserved for future use.

(N)

(D)

(D)

**Material deleted from this page now appears in Brightspeed Local Operating Companies
Tariff F.C.C. NO. 9.**

(N)

(N)

ISSUE DATE:
September 19, 2022

Issued Under Transmittal No. 125
Vice President-Regulatory Operations
100 CenturyLink Drive
Monroe, Louisiana 71203

EFFECTIVE DATE:
October 4, 2022

ACCESS SERVICE

14. Special Construction (Cont'd)

14.3 Rates and Charges (Cont'd)

14.3.2 Charges to Provide Permanent Facilities Other Than to the Federal Government (Cont'd)

This page is reserved for future use.

(N)

(D)

(D)

**Material deleted from this page now appears in Brightspeed Local Operating Companies
Tariff F.C.C. NO. 9.**

(N)

(N)

ISSUE DATE:
September 19, 2022

Issued Under Transmittal No. 125
Vice President-Regulatory Operations
100 CenturyLink Drive
Monroe, Louisiana 71203

EFFECTIVE DATE:
October 4, 2022

ACCESS SERVICE

14. Special Construction (Cont'd)

14.3 Rates and Charges (Cont'd)

14.3.2 Charges to Provide Permanent Facilities Other Than to the Federal Government (Cont'd)

This page is reserved for future use.

(N)

(D)

(D)

**Material deleted from this page now appears in Brightspeed Local Operating Companies
Tariff F.C.C. NO. 9.**

(N)

(N)

ISSUE DATE:
September 19, 2022

Issued Under Transmittal No. 125
Vice President-Regulatory Operations
100 CenturyLink Drive
Monroe, Louisiana 71203

EFFECTIVE DATE:
October 4, 2022

ACCESS SERVICE

14. Special Construction (Cont'd)

14.3 Rates and Charges (Cont'd)

14.3.2 Charges to Provide Permanent Facilities Other Than to the Federal Government (Cont'd)

This page is reserved for future use.

(N)

(D)

(D)

**Material deleted from this page now appears in Brightspeed Local Operating Companies
Tariff F.C.C. NO. 9.**

(N)

(N)

ISSUE DATE:
September 19, 2022

Issued Under Transmittal No. 125
Vice President-Regulatory Operations
100 CenturyLink Drive
Monroe, Louisiana 71203

EFFECTIVE DATE:
October 4, 2022

ACCESS SERVICE

14. Special Construction (Cont'd)

14.3 Rates and Charges (Cont'd)

14.3.2 Charges to Provide Permanent Facilities Other Than to the Federal Government (Cont'd)

This page is reserved for future use.

(N)

(D)

(D)

**Material deleted from this page now appears in Brightspeed Local Operating Companies
Tariff F.C.C. NO. 9.**

(N)

(N)

ISSUE DATE:
September 19, 2022

Issued Under Transmittal No. 125
Vice President-Regulatory Operations
100 CenturyLink Drive
Monroe, Louisiana 71203

EFFECTIVE DATE:
October 4, 2022

ACCESS SERVICE

14. Special Construction (Cont'd)

14.3 Rates and Charges (Cont'd)

14.3.2 Charges to Provide Permanent Facilities Other Than to the Federal Government (Cont'd)

This page is reserved for future use.

**Material deleted from this page now appears in Brightspeed Local Operating Companies
Tariff F.C.C. NO. 9.**

ISSUE DATE:
September 19, 2022

Issued Under Transmittal No. 125
Vice President-Regulatory Operations
100 CenturyLink Drive
Monroe, Louisiana 71203

EFFECTIVE DATE:
October 4, 2022

ACCESS SERVICE

14. Special Construction (Cont'd)

14.3 Rates and Charges (Cont'd)

14.3.2 Charges to Provide Permanent Facilities Other Than to the Federal Government (Cont'd)

This page is reserved for future use.

(N)

(D)

(D)

**Material deleted from this page now appears in Brightspeed Local Operating Companies
Tariff F.C.C. NO. 9.**

(N)

(N)

ISSUE DATE:
September 19, 2022

Issued Under Transmittal No. 125
Vice President-Regulatory Operations
100 CenturyLink Drive
Monroe, Louisiana 71203

EFFECTIVE DATE:
October 4, 2022

ACCESS SERVICE

14. Special Construction (Cont'd)

14.3 Rates and Charges (Cont'd)

14.3.2 Charges to Provide Permanent Facilities Other Than to the Federal Government (Cont'd)

This page is reserved for future use.

(N)

(D)

(D)

**Material deleted from this page now appears in Brightspeed Local Operating Companies
Tariff F.C.C. NO. 9.**

(N)

(N)

ISSUE DATE:
September 19, 2022

Issued Under Transmittal No. 125
Vice President-Regulatory Operations
100 CenturyLink Drive
Monroe, Louisiana 71203

EFFECTIVE DATE:
October 4, 2022

ACCESS SERVICE

14. Special Construction (Cont'd)

14.3 Rates and Charges (Cont'd)

14.3.2 Charges to Provide Permanent Facilities Other Than to the Federal Government (Cont'd)

This page is reserved for future use.

(N)

(D)

(D)

**Material deleted from this page now appears in Brightspeed Local Operating Companies
Tariff F.C.C. NO. 9.**

(N)

(N)

ISSUE DATE:
September 19, 2022

Issued Under Transmittal No. 125
Vice President-Regulatory Operations
100 CenturyLink Drive
Monroe, Louisiana 71203

EFFECTIVE DATE:
October 4, 2022

ACCESS SERVICE

14. Special Construction (Cont'd)

14.3 Rates and Charges (Cont'd)

14.3.2 Charges to Provide Permanent Facilities Other Than to the Federal Government (Cont'd)

This page is reserved for future use.

(N)

(D)

(D)

**Material deleted from this page now appears in Brightspeed Local Operating Companies
Tariff F.C.C. NO. 9.**

(N)

(N)

ISSUE DATE:
September 19, 2022

Issued Under Transmittal No. 125
Vice President-Regulatory Operations
100 CenturyLink Drive
Monroe, Louisiana 71203

EFFECTIVE DATE:
October 4, 2022

ACCESS SERVICE

14. Special Construction (Cont'd)

14.3 Rates and Charges (Cont'd)

14.3.2 Charges to Provide Permanent Facilities Other Than to the Federal Government (Cont'd)

This page is reserved for future use.

(N)

(D)

(D)

**Material deleted from this page now appears in Brightspeed Local Operating Companies
Tariff F.C.C. NO. 9.**

(N)

(N)

ISSUE DATE:
September 19, 2022

Issued Under Transmittal No. 125
Vice President-Regulatory Operations
100 CenturyLink Drive
Monroe, Louisiana 71203

EFFECTIVE DATE:
October 4, 2022

ACCESS SERVICE

14. Special Construction (Cont'd)

14.3 Rates and Charges (Cont'd)

14.3.2 Charges to Provide Permanent Facilities Other Than to the Federal Government (Cont'd)

This page is reserved for future use.

(N)

(D)

(D)

**Material deleted from this page now appears in Brightspeed Local Operating Companies
Tariff F.C.C. NO. 9.**

(N)

(N)

ISSUE DATE:
September 19, 2022

Issued Under Transmittal No. 125
Vice President-Regulatory Operations
100 CenturyLink Drive
Monroe, Louisiana 71203

EFFECTIVE DATE:
October 4, 2022

ACCESS SERVICE

14. Special Construction (Cont'd)

14.3 Rates and Charges (Cont'd)

14.3.2 Charges to Provide Permanent Facilities Other Than to the Federal Government (Cont'd)

This page is reserved for future use.

(N)

(D)

(D)

**Material deleted from this page now appears in Brightspeed Local Operating Companies
Tariff F.C.C. NO. 9.**

(N)

(N)

ISSUE DATE:
September 19, 2022

Issued Under Transmittal No. 125
Vice President-Regulatory Operations
100 CenturyLink Drive
Monroe, Louisiana 71203

EFFECTIVE DATE:
October 4, 2022

ACCESS SERVICE

14. Special Construction (Cont'd)

14.3 Rates and Charges (Cont'd)

14.3.2 Charges to Provide Permanent Facilities Other Than to the Federal Government (Cont'd)

This page is reserved for future use.

(N)

(D)

(D)

**Material deleted from this page now appears in Brightspeed Local Operating Companies
Tariff F.C.C. NO. 9.**

(N)

(N)

ISSUE DATE:
September 19, 2022

Issued Under Transmittal No. 125
Vice President-Regulatory Operations
100 CenturyLink Drive
Monroe, Louisiana 71203

EFFECTIVE DATE:
October 4, 2022

ACCESS SERVICE

14. Special Construction (Cont'd)

14.3 Rates and Charges (Cont'd)

14.3.2 Charges to Provide Permanent Facilities Other Than to the Federal Government (Cont'd)

This page is reserved for future use.

(N)

(D)

(D)

**Material deleted from this page now appears in Brightspeed Local Operating Companies
Tariff F.C.C. NO. 9.**

(N)

(N)

ISSUE DATE:
September 19, 2022

Issued Under Transmittal No. 125
Vice President-Regulatory Operations
100 CenturyLink Drive
Monroe, Louisiana 71203

EFFECTIVE DATE:
October 4, 2022

ACCESS SERVICE

14. Special Construction (Cont'd)

14.3 Rates and Charges (Cont'd)

14.3.2 Charges to Provide Permanent Facilities Other Than to the Federal Government (Cont'd)

This page is reserved for future use.

(N)

(D)

(D)

**Material deleted from this page now appears in Brightspeed Local Operating Companies
Tariff F.C.C. NO. 9.**

(N)

(N)

ISSUE DATE:
September 19, 2022

Issued Under Transmittal No. 125
Vice President-Regulatory Operations
100 CenturyLink Drive
Monroe, Louisiana 71203

EFFECTIVE DATE:
October 4, 2022

ACCESS SERVICE

14. Special Construction (Cont'd)

14.3 Rates and Charges (Cont'd)

14.3.2 Charges to Provide Permanent Facilities Other Than to the Federal Government (Cont'd)

This page is reserved for future use.

(N)

(D)

(D)

**Material deleted from this page now appears in Brightspeed Local Operating Companies
Tariff F.C.C. NO. 9.**

(N)

(N)

ISSUE DATE:
September 19, 2022

Issued Under Transmittal No. 125
Vice President-Regulatory Operations
100 CenturyLink Drive
Monroe, Louisiana 71203

EFFECTIVE DATE:
October 4, 2022

ACCESS SERVICE

14. Special Construction (Cont'd)

14.3 Rates and Charges (Cont'd)

14.3.2 Charges to Provide Permanent Facilities Other Than to the Federal Government (Cont'd)

This page is reserved for future use.

(N)

(D)

(D)

**Material deleted from this page now appears in Brightspeed Local Operating Companies
Tariff F.C.C. NO. 9.**

(N)

(N)

ISSUE DATE:
September 19, 2022

Issued Under Transmittal No. 125
Vice President-Regulatory Operations
100 CenturyLink Drive
Monroe, Louisiana 71203

EFFECTIVE DATE:
October 4, 2022

ACCESS SERVICE

14. Special Construction (Cont'd)

14.3 Rates and Charges (Cont'd)

14.3.2 Charges to Provide Permanent Facilities Other Than to the Federal Government (Cont'd)

This page is reserved for future use.

(N)

(D)

(D)

**Material deleted from this page now appears in Brightspeed Local Operating Companies
Tariff F.C.C. NO. 9.**

(N)

(N)

ISSUE DATE:
September 19, 2022

Issued Under Transmittal No. 125
Vice President-Regulatory Operations
100 CenturyLink Drive
Monroe, Louisiana 71203

EFFECTIVE DATE:
October 4, 2022

ACCESS SERVICE

14. Special Construction (Cont'd)

14.3 Rates and Charges (Cont'd)

14.3.2 Charges to Provide Permanent Facilities Other Than to the Federal Government (Cont'd)

This page is reserved for future use.

(N)

(D)

(D)

**Material deleted from this page now appears in Brightspeed Local Operating Companies
Tariff F.C.C. NO. 9.**

(N)

(N)

ISSUE DATE:
September 19, 2022

Issued Under Transmittal No. 125
Vice President-Regulatory Operations
100 CenturyLink Drive
Monroe, Louisiana 71203

EFFECTIVE DATE:
October 4, 2022

ACCESS SERVICE

14. Special Construction (Cont'd)

14.3 Rates and Charges (Cont'd)

14.3.2 Charges to Provide Permanent Facilities Other Than to the Federal Government (Cont'd)

This page is reserved for future use.

(N)

(D)

(D)

**Material deleted from this page now appears in Brightspeed Local Operating Companies
Tariff F.C.C. NO. 9.**

(N)

(N)

ISSUE DATE:
September 19, 2022

Issued Under Transmittal No. 125
Vice President-Regulatory Operations
100 CenturyLink Drive
Monroe, Louisiana 71203

EFFECTIVE DATE:
October 4, 2022

ACCESS SERVICE

14. Special Construction (Cont'd)

14.3 Rates and Charges (Cont'd)

14.3.2 Charges to Provide Permanent Facilities Other Than to the Federal Government (Cont'd)

This page is reserved for future use.

(N)

(D)

(D)

**Material deleted from this page now appears in Brightspeed Local Operating Companies
Tariff F.C.C. NO. 9.**

(N)

(N)

ISSUE DATE:
September 19, 2022

Issued Under Transmittal No. 125
Vice President-Regulatory Operations
100 CenturyLink Drive
Monroe, Louisiana 71203

EFFECTIVE DATE:
October 4, 2022

ACCESS SERVICE

14. Special Construction (Cont'd)

14.3 Rates and Charges (Cont'd)

14.3.2 Charges to Provide Permanent Facilities Other Than to the Federal Government (Cont'd)

This page is reserved for future use.

(N)

(D)

(D)

**Material deleted from this page now appears in Brightspeed Local Operating Companies
Tariff F.C.C. NO. 9.**

(N)

(N)

ISSUE DATE:
September 19, 2022

Issued Under Transmittal No. 125
Vice President-Regulatory Operations
100 CenturyLink Drive
Monroe, Louisiana 71203

EFFECTIVE DATE:
October 4, 2022

ACCESS SERVICE

14. Special Construction (Cont'd)

14.3 Rates and Charges (Cont'd)

14.3.2 Charges to Provide Permanent Facilities Other Than to the Federal Government (Cont'd)

This page is reserved for future use.

(N)

(D)

(D)

**Material deleted from this page now appears in Brightspeed Local Operating Companies
Tariff F.C.C. NO. 9.**

(N)

(N)

ISSUE DATE:
September 19, 2022

Issued Under Transmittal No. 125
Vice President-Regulatory Operations
100 CenturyLink Drive
Monroe, Louisiana 71203

EFFECTIVE DATE:
October 4, 2022

ACCESS SERVICE

14. Special Construction (Cont'd)

14.3 Rates and Charges (Cont'd)

14.3.2 Charges to Provide Permanent Facilities Other Than to the Federal Government (Cont'd)

This page is reserved for future use.

(N)

(D)

(D)

**Material deleted from this page now appears in Brightspeed Local Operating Companies
Tariff F.C.C. NO. 9.**

(N)

(N)

ISSUE DATE:
September 19, 2022

Issued Under Transmittal No. 125
Vice President-Regulatory Operations
100 CenturyLink Drive
Monroe, Louisiana 71203

EFFECTIVE DATE:
October 4, 2022

ACCESS SERVICE

14. Special Construction (Cont'd)

14.3 Rates and Charges (Cont'd)

14.3.2 Charges to Provide Permanent Facilities Other Than to the Federal Government (Cont'd)

This page is reserved for future use.

(N)

(D)

(D)

**Material deleted from this page now appears in Brightspeed Local Operating Companies
Tariff F.C.C. NO. 9.**

(N)

(N)

ISSUE DATE:
September 19, 2022

Issued Under Transmittal No. 125
Vice President-Regulatory Operations
100 CenturyLink Drive
Monroe, Louisiana 71203

EFFECTIVE DATE:
October 4, 2022

ACCESS SERVICE

14. Special Construction (Cont'd)

14.3 Rates and Charges (Cont'd)

14.3.2 Charges to Provide Permanent Facilities Other Than to the Federal Government (Cont'd)

This page is reserved for future use.

(N)

(D)

(D)

**Material deleted from this page now appears in Brightspeed Local Operating Companies
Tariff F.C.C. NO. 9.**

(N)

(N)

ISSUE DATE:
September 19, 2022

Issued Under Transmittal No. 125
Vice President-Regulatory Operations
100 CenturyLink Drive
Monroe, Louisiana 71203

EFFECTIVE DATE:
October 4, 2022

ACCESS SERVICE

14. Special Construction (Cont'd)

14.3 Rates and Charges (Cont'd)

14.3.2 Charges to Provide Permanent Facilities Other Than to the Federal Government (Cont'd)

This page is reserved for future use.

(N)

(D)

(D)

**Material deleted from this page now appears in Brightspeed Local Operating Companies
Tariff F.C.C. NO. 9.**

(N)

(N)

ISSUE DATE:
September 19, 2022

Issued Under Transmittal No. 125
Vice President-Regulatory Operations
100 CenturyLink Drive
Monroe, Louisiana 71203

EFFECTIVE DATE:
October 4, 2022

ACCESS SERVICE

14. Special Construction (Cont'd)

14.3 Rates and Charges (Cont'd)

14.3.2 Charges to Provide Permanent Facilities Other Than to the Federal Government (Cont'd)

This page is reserved for future use.

(N)

(D)

(D)

**Material deleted from this page now appears in Brightspeed Local Operating Companies
Tariff F.C.C. NO. 9.**

(N)

(N)

ISSUE DATE:
September 19, 2022

Issued Under Transmittal No. 125
Vice President-Regulatory Operations
100 CenturyLink Drive
Monroe, Louisiana 71203

EFFECTIVE DATE:
October 4, 2022

ACCESS SERVICE

14. Special Construction (Cont'd)

14.3 Rates and Charges (Cont'd)

14.3.2 Charges to Provide Permanent Facilities Other Than to the Federal Government (Cont'd)

This page is reserved for future use.

(N)

(D)

(D)

**Material deleted from this page now appears in Brightspeed Local Operating Companies
Tariff F.C.C. NO. 9.**

(N)

(N)

ISSUE DATE:
September 19, 2022

Issued Under Transmittal No. 125
Vice President-Regulatory Operations
100 CenturyLink Drive
Monroe, Louisiana 71203

EFFECTIVE DATE:
October 4, 2022

ACCESS SERVICE

14. Special Construction (Cont'd)

14.3 Rates and Charges (Cont'd)

14.3.2 Charges to Provide Permanent Facilities Other Than to the Federal Government (Cont'd)

This page is reserved for future use.

(N)

(D)

(D)

**Material deleted from this page now appears in Brightspeed Local Operating Companies
Tariff F.C.C. NO. 9.**

(N)

(N)

ISSUE DATE:
September 19, 2022

Issued Under Transmittal No. 125
Vice President-Regulatory Operations
100 CenturyLink Drive
Monroe, Louisiana 71203

EFFECTIVE DATE:
October 4, 2022

ACCESS SERVICE

14. Special Construction (Cont'd)

14.3 Rates and Charges (Cont'd)

14.3.2 Charges to Provide Permanent Facilities Other Than to the Federal Government (Cont'd)

This page is reserved for future use.

(N)

(D)

(D)

**Material deleted from this page now appears in Brightspeed Local Operating Companies
Tariff F.C.C. NO. 9.**

(N)

(N)

ISSUE DATE:
September 19, 2022

Issued Under Transmittal No. 125
Vice President-Regulatory Operations
100 CenturyLink Drive
Monroe, Louisiana 71203

EFFECTIVE DATE:
October 4, 2022

ACCESS SERVICE

14. Special Construction (Cont'd)

14.3 Rates and Charges (Cont'd)

14.3.2 Charges to Provide Permanent Facilities Other Than to the Federal Government (Cont'd)

This page is reserved for future use.

(N)

(D)

(D)

**Material deleted from this page now appears in Brightspeed Local Operating Companies
Tariff F.C.C. NO. 9.**

(N)

(N)

ISSUE DATE:
September 19, 2022

Issued Under Transmittal No. 125
Vice President-Regulatory Operations
100 CenturyLink Drive
Monroe, Louisiana 71203

EFFECTIVE DATE:
October 4, 2022

ACCESS SERVICE

14. Special Construction (Cont'd)14.3 Rates and Charges (Cont'd)14.3.2 Charges to Provide Permanent Facilities Other Than to the Federal Government (Cont'd)OREGON

<u>Customer Name</u>	<u>Description</u>
Nextel c/o Carrier Financial Mgmt. 1768 Old Meadow Road McLean, Virginia 22102 ICB # 2004-WO-63T2ZA	Special construction charges for the installation of 3,300 feet of copper cable for the provision of a DS1 facility between the splice point located at the corner of Terrace Drive and Crest in Rockaway Beach, Oregon to the customer's cell site located at 10500 North 3rd Street, Rockaway, Beach, Oregon.
Nonrecurring Charge: Copper Cable and Taxes and Maintenance	\$11,626.00
<u>USOC</u>	OR027

ISSUE DATE:
February 28, 2011

Issued Under Transmittal No. 1
Vice President-Regulatory Operations
100 CenturyLink Drive
Monroe, Louisiana 71203

EFFECTIVE DATE:
March 1, 2011

ACCESS SERVICE

14. Special Construction (Cont'd)14.3 Rates and Charges (Cont'd)14.3.2 Charges to Provide Permanent Facilities Other Than to the Federal Government (Cont'd)OREGON

<u>Customer Name</u>	<u>Description</u>
AT&T Wireless 1975 112th Avenue NE, Suite 101 Bellevue, Washington 98004- 2942 ICB # 2001-WO-54J3MR	Special construction charges for the installation of fiber optic terminals and 12,000 feet of fiber optic cable in the provision of two DS1 facilities between the Telephone Company's central office located at 29500 Highway 101, Grande Ronde, Oregon and the customer's cell site located at 33740 Salmon River Highway, Grande Ronde, Oregon.
Nonrecurring Charge: Fiber Optic Terminals & Cable and Taxes and Maintenance	\$91,056.00
<u>USOC</u>	OR024

ISSUE DATE:
February 28, 2011

Issued Under Transmittal No. 1
Vice President-Regulatory Operations
100 CenturyLink Drive
Monroe, Louisiana 71203

EFFECTIVE DATE:
March 1, 2011

ACCESS SERVICE

14. Special Construction (Cont'd)14.3 Rates and Charges (Cont'd)14.3.2 Charges to Provide Permanent Facilities Other Than to the Federal Government (Cont'd)OREGON (Cont'd)

<u>Customer Name</u>	<u>Description</u>
AT&T Wireless 1975 112th Avenue NE, Suite 101 Bellevue, Washington 98004- 2942	Special construction charges for the installation of fiber optic terminals and 3,000 feet of fiber optic cable in the provision of two DS1 facilities between the Telephone Company's central office located at 29500 Highway 101, Grande Ronde, Oregon and the customer's cell site located at 15875 Salmon River Highway, Grande Ronde, Oregon.
ICB # 2001-WO-54J3QU	
Nonrecurring Charge: Fiber Optic Terminals & Cable and Taxes and Maintenance	\$63,401.00
<u>USOC</u>	OR025

ISSUE DATE:
February 28, 2011

Issued Under Transmittal No. 1
Vice President-Regulatory Operations
100 CenturyLink Drive
Monroe, Louisiana 71203

EFFECTIVE DATE:
March 1, 2011

ACCESS SERVICE

14. Special Construction (Cont'd)14.3 Rates and Charges (Cont'd)14.3.2 Charges to Provide Permanent Facilities Other Than to the Federal Government (Cont'd)OREGON (Cont'd)

<u>Customer Name</u>	<u>Description</u>
US Cellular 1262 Fish Lake Road Butte Falls, Oregon 97522 ICB # 2007-WO-6ZYR93	Special construction charges for the installation of 8,100 feet of copper cable for the provision of a DS1 facility between the Telephone Company's central office located at 204 West 201 Broad Road, Butte Falls, Oregon and the customer's designated premises located at 1262 Fish Lake Road, Butte Falls, Oregon.
Monthly Recurring Rate: Copper Cable and Taxes and Maintenance	\$323.00
<u>USOC</u>	OR030
<u>Termination Liability:</u>	The minimum service period is 60 months. If the customer disconnects service prior to the end of the 60th month, termination liability charges equal to 100% of the remaining monthly payments for the 60 month term will apply.

ISSUE DATE:
February 28, 2011

Issued Under Transmittal No. 1
Vice President-Regulatory Operations
100 CenturyLink Drive
Monroe, Louisiana 71203

EFFECTIVE DATE:
March 1, 2011

ACCESS SERVICE

14. Special Construction (Cont'd)

14.3 Rates and Charges (Cont'd)

14.3.2 Charges to Provide Permanent Facilities Other Than to the Federal Government (Cont'd)

OREGON (Cont'd)

Customer: ATT Mobility
ICB# 2011-WO-8H7R9R

Description: Special construction charges of the installation of 700 feet of fiber optic cable for the provision of 1 DS1 between the Telephone Company's serving wire center located at 708 Wa-NA-PA, Cascade Locks, Oregon to customer premise located at 1 Cascade Ridge, Cascade Lakes, Oregon. A total charge of \$11,559.00 is due and payable in a one-time payment.

Nonrecurring Charge: \$11,559.00

Customer: US Cellular
ICB# 2012-WO-8WYQ2Y

Description: Special construction charges of the installation of 16,587 feet of fiber optic cable for the provision of 4 DS1s between the Telephone Company's serving wire center located at 401 Broad Rd., Butte Falls, Oregon to customer cell site located at 1262 Fish Lake Road, Butte Falls, Oregon. A total charge of \$162,598.00 is due and payable in a one-time payment.

Nonrecurring Charge: \$162,598.00

Customer: QCC
ICB# 2013-WO-96KMPC

Description: Special construction charges of the installation of 1,650 feet of fiber optic cable for the provision of a DS3 between the Telephone Company's serving wire center located at 203 E 4th St., The Dalles, Oregon to customer premise located at 401 E 3rd St., the Dalles, Oregon. A total charge of \$12,241.00 is due and payable in a one-time payment.

Nonrecurring Charge: \$12,241.00

(N)

(N)

ISSUE DATE:
March 17, 2014
Monroe, Louisiana 71203

Issued Under Transmittal No. 53
Vice President-Regulatory Operations
100 CenturyLink Drive

EFFECTIVE DATE:
April 1, 2014

ACCESS SERVICE

14. Special Construction (Cont'd)

14.3 Rates and Charges (Cont'd)

14.3.2 Charges to Provide Permanent Facilities Other Than to the Federal Government (Cont'd)

This page is reserved for future use.

(N)

(D)

(D)

**Material deleted from this page now appears in Brightspeed Local Operating Companies
Tariff F.C.C. NO. 9.**

(N)

(N)

ISSUE DATE:
September 19, 2022

Issued Under Transmittal No. 125
Vice President-Regulatory Operations
100 CenturyLink Drive
Monroe, Louisiana 71203

EFFECTIVE DATE:
October 4, 2022

ACCESS SERVICE

14. Special Construction (Cont'd)

14.3 Rates and Charges (Cont'd)

14.3.2 Charges to Provide Permanent Facilities Other Than to the Federal Government (Cont'd)

This page is reserved for future use.

(N)

(D)

(D)

**Material deleted from this page now appears in Brightspeed Local Operating Companies
Tariff F.C.C. NO. 9.**

(N)

(N)

ISSUE DATE:
September 19, 2022

Issued Under Transmittal No. 125
Vice President-Regulatory Operations
100 CenturyLink Drive
Monroe, Louisiana 71203

EFFECTIVE DATE:
October 4, 2022

ACCESS SERVICE

14. Special Construction (Cont'd)

14.3 Rates and Charges (Cont'd)

14.3.2 Charges to Provide Permanent Facilities Other Than to the Federal Government (Cont'd)

This page is reserved for future use.

(N)

(D)

(D)

**Material deleted from this page now appears in Brightspeed Local Operating Companies
Tariff F.C.C. NO. 9.**

(N)

(N)

ISSUE DATE:
September 19, 2022

Issued Under Transmittal No. 125
Vice President-Regulatory Operations
100 CenturyLink Drive
Monroe, Louisiana 71203

EFFECTIVE DATE:
October 4, 2022

ACCESS SERVICE

14. Special Construction (Cont'd)

14.3 Rates and Charges (Cont'd)

14.3.2 Charges to Provide Permanent Facilities Other Than to the Federal Government (Cont'd)

This page is reserved for future use.

(N)

(D)

(D)

**Material deleted from this page now appears in Brightspeed Local Operating Companies
Tariff F.C.C. NO. 9.**

(N)

(N)

ISSUE DATE:
September 19, 2022

Issued Under Transmittal No. 125
Vice President-Regulatory Operations
100 CenturyLink Drive
Monroe, Louisiana 71203

EFFECTIVE DATE:
October 4, 2022

ACCESS SERVICE

14. Special Construction (Cont'd)

14.3 Rates and Charges (Cont'd)

14.3.2 Charges to Provide Permanent Facilities Other Than to the Federal Government (Cont'd)

This page is reserved for future use.

(N)

(D)

(D)

**Material deleted from this page now appears in Brightspeed Local Operating Companies
Tariff F.C.C. NO. 9.**

(N)

(N)

ISSUE DATE:
September 19, 2022

Issued Under Transmittal No. 125
Vice President-Regulatory Operations
100 CenturyLink Drive
Monroe, Louisiana 71203

EFFECTIVE DATE:
October 4, 2022

ACCESS SERVICE

14. Special Construction (Cont'd)

14.3 Rates and Charges (Cont'd)

14.3.2 Charges to Provide Permanent Facilities Other Than to the Federal Government (Cont'd)

This page is reserved for future use.

(N)

(D)

(D)

**Material deleted from this page now appears in Brightspeed Local Operating Companies
Tariff F.C.C. NO. 9.**

(N)

(N)

ISSUE DATE:
September 19, 2022

Issued Under Transmittal No. 125
Vice President-Regulatory Operations
100 CenturyLink Drive
Monroe, Louisiana 71203

EFFECTIVE DATE:
October 4, 2022

ACCESS SERVICE

14. Special Construction (Cont'd)

14.3 Rates and Charges (Cont'd)

14.3.2 Charges to Provide Permanent Facilities Other Than to the Federal Government (Cont'd)

This page is reserved for future use.

(N)

(D)

(D)

**Material deleted from this page now appears in Brightspeed Local Operating Companies
Tariff F.C.C. NO. 9.**

(N)

(N)

ISSUE DATE:
September 19, 2022

Issued Under Transmittal No. 125
Vice President-Regulatory Operations
100 CenturyLink Drive
Monroe, Louisiana 71203

EFFECTIVE DATE:
October 4, 2022

ACCESS SERVICE

14. Special Construction (Cont'd)

14.3 Rates and Charges (Cont'd)

14.3.2 Charges to Provide Permanent Facilities Other Than to the Federal Government (Cont'd)

This page is reserved for future use.

(N)

(D)

(D)

**Material deleted from this page now appears in Brightspeed Local Operating Companies
Tariff F.C.C. NO. 9.**

(N)

(N)

ISSUE DATE:
September 19, 2022

Issued Under Transmittal No. 125
Vice President-Regulatory Operations
100 CenturyLink Drive
Monroe, Louisiana 71203

EFFECTIVE DATE:
October 4, 2022

ACCESS SERVICE

14. Special Construction (Cont'd)

14.3 Rates and Charges (Cont'd)

14.3.2 Charges to Provide Permanent Facilities Other Than to the Federal Government (Cont'd)

This page is reserved for future use.

(N)

(D)

(D)

**Material deleted from this page now appears in Brightspeed Local Operating Companies
Tariff F.C.C. NO. 9.**

(N)

(N)

ISSUE DATE:
September 19, 2022

Issued Under Transmittal No. 125
Vice President-Regulatory Operations
100 CenturyLink Drive
Monroe, Louisiana 71203

EFFECTIVE DATE:
October 4, 2022

ACCESS SERVICE

14. Special Construction (Cont'd)

14.3 Rates and Charges (Cont'd)

14.3.2 Charges to Provide Permanent Facilities Other Than to the Federal Government (Cont'd)

This page is reserved for future use.

(N)

(D)

(D)

**Material deleted from this page now appears in Brightspeed Local Operating Companies
Tariff F.C.C. NO. 9.**

(N)

(N)

ISSUE DATE:
September 19, 2022

Issued Under Transmittal No. 125
Vice President-Regulatory Operations
100 CenturyLink Drive
Monroe, Louisiana 71203

EFFECTIVE DATE:
October 4, 2022

ACCESS SERVICE

14. Special Construction (Cont'd)

14.3 Rates and Charges (Cont'd)

14.3.2 Charges to Provide Permanent Facilities Other Than to the Federal Government (Cont'd)

This page is reserved for future use.

(N)

(D)

(D)

**Material deleted from this page now appears in Brightspeed Local Operating Companies
Tariff F.C.C. NO. 9.**

(N)

(N)

ISSUE DATE:
September 19, 2022

Issued Under Transmittal No. 125
Vice President-Regulatory Operations
100 CenturyLink Drive
Monroe, Louisiana 71203

EFFECTIVE DATE:
October 4, 2022

ACCESS SERVICE

14. Special Construction (Cont'd)

14.3 Rates and Charges (Cont'd)

14.3.2 Charges to Provide Permanent Facilities Other Than to the Federal Government (Cont'd)

This page is reserved for future use.

(N)

(D)

(D)

**Material deleted from this page now appears in Brightspeed Local Operating Companies
Tariff F.C.C. NO. 9.**

(N)

(N)

ISSUE DATE:
September 19, 2022

Issued Under Transmittal No. 125
Vice President-Regulatory Operations
100 CenturyLink Drive
Monroe, Louisiana 71203

EFFECTIVE DATE:
October 4, 2022

ACCESS SERVICE

14. Special Construction (Cont'd)

14.3 Rates and Charges (Cont'd)

14.3.2 Charges to Provide Permanent Facilities Other Than to the Federal Government (Cont'd)

This page is reserved for future use.

(N)

(D)

(D)

**Material deleted from this page now appears in Brightspeed Local Operating Companies
Tariff F.C.C. NO. 9.**

(N)

(N)

ISSUE DATE:
September 19, 2022

Issued Under Transmittal No. 125
Vice President-Regulatory Operations
100 CenturyLink Drive
Monroe, Louisiana 71203

EFFECTIVE DATE:
October 4, 2022

ACCESS SERVICE

14. Special Construction (Cont'd)

14.3 Rates and Charges (Cont'd)

14.3.2 Charges to Provide Permanent Facilities Other Than to the Federal Government (Cont'd)

This page is reserved for future use.

(N)

(D)

(D)

**Material deleted from this page now appears in Brightspeed Local Operating Companies
Tariff F.C.C. NO. 9.**

(N)

(N)

ISSUE DATE:
September 19, 2022

Issued Under Transmittal No. 125
Vice President-Regulatory Operations
100 CenturyLink Drive
Monroe, Louisiana 71203

EFFECTIVE DATE:
October 4, 2022

ACCESS SERVICE

14. Special Construction (Cont'd)

14.3 Rates and Charges (Cont'd)

14.3.2 Charges to Provide Permanent Facilities Other Than to the Federal Government (Cont'd)

This page is reserved for future use.

(N)

(D)

(D)

**Material deleted from this page now appears in Brightspeed Local Operating Companies
Tariff F.C.C. NO. 9.**

(N)

(N)

ISSUE DATE:
September 19, 2022

Issued Under Transmittal No. 125
Vice President-Regulatory Operations
100 CenturyLink Drive
Monroe, Louisiana 71203

EFFECTIVE DATE:
October 4, 2022

ACCESS SERVICE

14. Special Construction (Cont'd)

14.3 Rates and Charges (Cont'd)

14.3.2 Charges to Provide Permanent Facilities Other Than to the Federal Government (Cont'd)

This page is reserved for future use.

(N)

(D)

(D)

**Material deleted from this page now appears in Brightspeed Local Operating Companies
Tariff F.C.C. NO. 9.**

(N)

(N)

ISSUE DATE:
September 19, 2022

Issued Under Transmittal No. 125
Vice President-Regulatory Operations
100 CenturyLink Drive
Monroe, Louisiana 71203

EFFECTIVE DATE:
October 4, 2022

ACCESS SERVICE

14. Special Construction (Cont'd)

14.3 Rates and Charges (Cont'd)

14.3.2 Charges to Provide Permanent Facilities Other Than to the Federal Government (Cont'd)

This page is reserved for future use.

(N)

(D)

(D)

**Material deleted from this page now appears in Brightspeed Local Operating Companies
Tariff F.C.C. NO. 9.**

(N)

(N)

ISSUE DATE:
September 19, 2022

Issued Under Transmittal No. 125
Vice President-Regulatory Operations
100 CenturyLink Drive
Monroe, Louisiana 71203

EFFECTIVE DATE:
October 4, 2022

ACCESS SERVICE

14. Special Construction (Cont'd)

14.3 Rates and Charges (Cont'd)

14.3.2 Charges to Provide Permanent Facilities Other Than to the Federal Government (Cont'd)

This page is reserved for future use.

(N)

(D)

(D)

**Material deleted from this page now appears in Brightspeed Local Operating Companies
Tariff F.C.C. NO. 9.**

(N)

(N)

ISSUE DATE:
September 19, 2022

Issued Under Transmittal No. 125
Vice President-Regulatory Operations
100 CenturyLink Drive
Monroe, Louisiana 71203

EFFECTIVE DATE:
October 4, 2022

ACCESS SERVICE

14. Special Construction (Cont'd)

14.3 Rates and Charges (Cont'd)

14.3.2 Charges to Provide Permanent Facilities Other Than to the Federal Government (Cont'd)

This page is reserved for future use.

(N)

(D)

(D)

**Material deleted from this page now appears in Brightspeed Local Operating Companies
Tariff F.C.C. NO. 9.**

(N)

(N)

ISSUE DATE:
September 19, 2022

Issued Under Transmittal No. 125
Vice President-Regulatory Operations
100 CenturyLink Drive
Monroe, Louisiana 71203

EFFECTIVE DATE:
October 4, 2022

ACCESS SERVICE

14. Special Construction (Cont'd)

14.3 Rates and Charges (Cont'd)

14.3.2 Charges to Provide Permanent Facilities Other Than to the Federal Government (Cont'd)

This page is reserved for future use.

**Material deleted from this page now appears in Brightspeed Local Operating Companies
Tariff F.C.C. NO. 9.**

ISSUE DATE:
September 19, 2022

Issued Under Transmittal No. 125
Vice President-Regulatory Operations
100 CenturyLink Drive
Monroe, Louisiana 71203

EFFECTIVE DATE:
October 4, 2022

ACCESS SERVICE

14. Special Construction (Cont'd)

14.3 Rates and Charges (Cont'd)

14.3.2 Charges to Provide Permanent Facilities Other Than to the Federal Government (Cont'd)

This page is reserved for future use.

(N)

(D)

(D)

**Material deleted from this page now appears in Brightspeed Local Operating Companies
Tariff F.C.C. NO. 9.**

(N)

(N)

ISSUE DATE:
September 19, 2022

Issued Under Transmittal No. 125
Vice President-Regulatory Operations
100 CenturyLink Drive
Monroe, Louisiana 71203

EFFECTIVE DATE:
October 4, 2022

ACCESS SERVICE

14. Special Construction (Cont'd)

14.3 Rates and Charges (Cont'd)

14.3.2 Charges to Provide Permanent Facilities Other Than to the Federal Government (Cont'd)

This page is reserved for future use.

(N)

(D)

(D)

**Material deleted from this page now appears in Brightspeed Local Operating Companies
Tariff F.C.C. NO. 9.**

(N)

(N)

ISSUE DATE:
September 19, 2022

Issued Under Transmittal No. 125
Vice President-Regulatory Operations
100 CenturyLink Drive
Monroe, Louisiana 71203

EFFECTIVE DATE:
October 4, 2022

ACCESS SERVICE

14. Special Construction (Cont'd)

14.3 Rates and Charges (Cont'd)

14.3.2 Charges to Provide Permanent Facilities Other Than to the Federal Government (Cont'd)

This page is reserved for future use.

(N)

(D)

(D)

**Material deleted from this page now appears in Brightspeed Local Operating Companies
Tariff F.C.C. NO. 9.**

(N)

(N)

ISSUE DATE:
September 19, 2022

Issued Under Transmittal No. 125
Vice President-Regulatory Operations
100 CenturyLink Drive
Monroe, Louisiana 71203

EFFECTIVE DATE:
October 4, 2022

ACCESS SERVICE

14. Special Construction (Cont'd)

14.3 Rates and Charges (Cont'd)

14.3.2 Charges to Provide Permanent Facilities Other Than to the Federal Government (Cont'd)

This page is reserved for future use.

(N)

(D)

(D)

**Material deleted from this page now appears in Brightspeed Local Operating Companies
Tariff F.C.C. NO. 9.**

(N)

(N)

ISSUE DATE:
September 19, 2022

Issued Under Transmittal No. 125
Vice President-Regulatory Operations
100 CenturyLink Drive
Monroe, Louisiana 71203

EFFECTIVE DATE:
October 4, 2022

ACCESS SERVICE

14. Special Construction (Cont'd)

14.3 Rates and Charges (Cont'd)

14.3.2 Charges to Provide Permanent Facilities Other Than to the Federal Government (Cont'd)

This page is reserved for future use.

(N)

(D)

(D)

**Material deleted from this page now appears in Brightspeed Local Operating Companies
Tariff F.C.C. NO. 9.**

(N)

(N)

ISSUE DATE:
September 19, 2022

Issued Under Transmittal No. 125
Vice President-Regulatory Operations
100 CenturyLink Drive
Monroe, Louisiana 71203

EFFECTIVE DATE:
October 4, 2022

ACCESS SERVICE

14. Special Construction (Cont'd)

14.3 Rates and Charges (Cont'd)

14.3.2 Charges to Provide Permanent Facilities Other Than to the Federal Government (Cont'd)

This page is reserved for future use.

(N)

(D)

(D)

**Material deleted from this page now appears in Brightspeed Local Operating Companies
Tariff F.C.C. NO. 9.**

(N)

(N)

ISSUE DATE:
September 19, 2022

Issued Under Transmittal No. 125
Vice President-Regulatory Operations
100 CenturyLink Drive
Monroe, Louisiana 71203

EFFECTIVE DATE:
October 4, 2022

ACCESS SERVICE

14. Special Construction (Cont'd)

14.3 Rates and Charges (Cont'd)

14.3.2 Charges to Provide Permanent Facilities Other Than to the Federal Government (Cont'd)

This page is reserved for future use.

(N)

(D)

(D)

**Material deleted from this page now appears in Brightspeed Local Operating Companies
Tariff F.C.C. NO. 9.**

(N)

(N)

ISSUE DATE:
September 19, 2022

Issued Under Transmittal No. 125
Vice President-Regulatory Operations
100 CenturyLink Drive
Monroe, Louisiana 71203

EFFECTIVE DATE:
October 4, 2022

ACCESS SERVICE

14. Special Construction (Cont'd)

14.3 Rates and Charges (Cont'd)

14.3.2 Charges to Provide Permanent Facilities Other Than to the Federal Government (Cont'd)

This page is reserved for future use.

(N)

(D)

(D)

**Material deleted from this page now appears in Brightspeed Local Operating Companies
Tariff F.C.C. NO. 9.**

(N)

(N)

ISSUE DATE:
September 19, 2022

Issued Under Transmittal No. 125
Vice President-Regulatory Operations
100 CenturyLink Drive
Monroe, Louisiana 71203

EFFECTIVE DATE:
October 4, 2022

ACCESS SERVICE

14. Special Construction (Cont'd)

14.3 Rates and Charges (Cont'd)

14.3.2 Charges to Provide Permanent Facilities Other Than to the Federal Government (Cont'd)

This page is reserved for future use.

(N)

(D)

(D)

**Material deleted from this page now appears in Brightspeed Local Operating Companies
Tariff F.C.C. NO. 9.**

(N)

(N)

ISSUE DATE:
September 19, 2022

Issued Under Transmittal No. 125
Vice President-Regulatory Operations
100 CenturyLink Drive
Monroe, Louisiana 71203

EFFECTIVE DATE:
October 4, 2022

ACCESS SERVICE

14. Special Construction (Cont'd)

14.3 Rates and Charges (Cont'd)

14.3.2 Charges to Provide Permanent Facilities Other Than to the Federal Government (Cont'd)

This page is reserved for future use.

(N)

(D)

(D)

**Material deleted from this page now appears in Brightspeed Local Operating Companies
Tariff F.C.C. NO. 9.**

(N)

(N)

ISSUE DATE:
September 19, 2022

Issued Under Transmittal No. 125
Vice President-Regulatory Operations
100 CenturyLink Drive
Monroe, Louisiana 71203

EFFECTIVE DATE:
October 4, 2022

ACCESS SERVICE

14. Special Construction (Cont'd)

14.3 Rates and Charges (Cont'd)

14.3.2 Charges to Provide Permanent Facilities Other Than to the Federal Government (Cont'd)

This page is reserved for future use.

(N)

(D)

(D)

**Material deleted from this page now appears in Brightspeed Local Operating Companies
Tariff F.C.C. NO. 9.**

(N)

(N)

ISSUE DATE:
September 19, 2022

Issued Under Transmittal No. 125
Vice President-Regulatory Operations
100 CenturyLink Drive
Monroe, Louisiana 71203

EFFECTIVE DATE:
October 4, 2022

ACCESS SERVICE

14. Special Construction (Cont'd)

14.3 Rates and Charges (Cont'd)

14.3.2 Charges to Provide Permanent Facilities Other Than to the Federal Government (Cont'd)

This page is reserved for future use.

(N)

(D)

(D)

**Material deleted from this page now appears in Brightspeed Local Operating Companies
Tariff F.C.C. NO. 9.**

(N)

(N)

ISSUE DATE:
September 19, 2022

Issued Under Transmittal No. 125
Vice President-Regulatory Operations
100 CenturyLink Drive
Monroe, Louisiana 71203

EFFECTIVE DATE:
October 4, 2022

ACCESS SERVICE

14. Special Construction (Cont'd)

14.3 Rates and Charges (Cont'd)

14.3.2 Charges to Provide Permanent Facilities Other Than to the Federal Government (Cont'd)

This page is reserved for future use.

(N)

(D)

(D)

**Material deleted from this page now appears in Brightspeed Local Operating Companies
Tariff F.C.C. NO. 9.**

(N)

(N)

ISSUE DATE:
September 19, 2022

Issued Under Transmittal No. 125
Vice President-Regulatory Operations
100 CenturyLink Drive
Monroe, Louisiana 71203

EFFECTIVE DATE:
October 4, 2022

ACCESS SERVICE

14. Special Construction (Cont'd)

14.3 Rates and Charges (Cont'd)

14.3.2 Charges to Provide Permanent Facilities Other Than to the Federal Government (Cont'd)

This page is reserved for future use.

(N)

(D)

(D)

**Material deleted from this page now appears in Brightspeed Local Operating Companies
Tariff F.C.C. NO. 9.**

(N)

(N)

ISSUE DATE:
September 19, 2022

Issued Under Transmittal No. 125
Vice President-Regulatory Operations
100 CenturyLink Drive
Monroe, Louisiana 71203

EFFECTIVE DATE:
October 4, 2022

ACCESS SERVICE

14. Special Construction (Cont'd)

14.3 Rates and Charges (Cont'd)

14.3.2 Charges to Provide Permanent Facilities Other Than to the Federal Government (Cont'd)

This page is reserved for future use.

(N)

(D)

(D)

**Material deleted from this page now appears in Brightspeed Local Operating Companies
Tariff F.C.C. NO. 9.**

(N)

(N)

ISSUE DATE:
September 19, 2022

Issued Under Transmittal No. 125
Vice President-Regulatory Operations
100 CenturyLink Drive
Monroe, Louisiana 71203

EFFECTIVE DATE:
October 4, 2022

ACCESS SERVICE

14. Special Construction (Cont'd)

14.3 Rates and Charges (Cont'd)

14.3.2 Charges to Provide Permanent Facilities Other Than to the Federal Government (Cont'd)

This page is reserved for future use.

(N)

(D)

(D)

**Material deleted from this page now appears in Brightspeed Local Operating Companies
Tariff F.C.C. NO. 9.**

(N)

(N)

ISSUE DATE:
September 19, 2022

Issued Under Transmittal No. 125
Vice President-Regulatory Operations
100 CenturyLink Drive
Monroe, Louisiana 71203

EFFECTIVE DATE:
October 4, 2022

ACCESS SERVICE

14. Special Construction (Cont'd)

14.3 Rates and Charges (Cont'd)

14.3.2 Charges to Provide Permanent Facilities Other Than to the Federal Government (Cont'd)

This page is reserved for future use.

(N)

(D)

(D)

**Material deleted from this page now appears in Brightspeed Local Operating Companies
Tariff F.C.C. NO. 9.**

(N)

(N)

ISSUE DATE:
September 19, 2022

Issued Under Transmittal No. 125
Vice President-Regulatory Operations
100 CenturyLink Drive
Monroe, Louisiana 71203

EFFECTIVE DATE:
October 4, 2022

ACCESS SERVICE

14. Special Construction (Cont'd)

14.3 Rates and Charges (Cont'd)

14.3.2 Charges to Provide Permanent Facilities Other Than to the Federal Government (Cont'd)

This page is reserved for future use.

(N)

(D)

(D)

**Material deleted from this page now appears in Brightspeed Local Operating Companies
Tariff F.C.C. NO. 9.**

(N)

(N)

ISSUE DATE:
September 19, 2022

Issued Under Transmittal No. 125
Vice President-Regulatory Operations
100 CenturyLink Drive
Monroe, Louisiana 71203

EFFECTIVE DATE:
October 4, 2022

ACCESS SERVICE

14. Special Construction (Cont'd)

14.3 Rates and Charges (Cont'd)

14.3.2 Charges to Provide Permanent Facilities Other Than to the Federal Government (Cont'd)

This page is reserved for future use.

(N)

(D)

(D)

**Material deleted from this page now appears in Brightspeed Local Operating Companies
Tariff F.C.C. NO. 9.**

(N)

(N)

ISSUE DATE:
September 19, 2022

Issued Under Transmittal No. 125
Vice President-Regulatory Operations
100 CenturyLink Drive
Monroe, Louisiana 71203

EFFECTIVE DATE:
October 4, 2022

ACCESS SERVICE

14. Special Construction (Cont'd)

14.3 Rates and Charges (Cont'd)

14.3.2 Charges to Provide Permanent Facilities Other Than to the Federal Government (Cont'd)

This page is reserved for future use.

(N)

(D)

(D)

**Material deleted from this page now appears in Brightspeed Local Operating Companies
Tariff F.C.C. NO. 9.**

(N)

(N)

ISSUE DATE:
September 19, 2022

Issued Under Transmittal No. 125
Vice President-Regulatory Operations
100 CenturyLink Drive
Monroe, Louisiana 71203

EFFECTIVE DATE:
October 4, 2022

ACCESS SERVICE

14. Special Construction (Cont'd)

14.3 Rates and Charges (Cont'd)

14.3.2 Charges to Provide Permanent Facilities Other Than to the Federal Government (Cont'd)

This page is reserved for future use.

(N)

(D)

(D)

**Material deleted from this page now appears in Brightspeed Local Operating Companies
Tariff F.C.C. NO. 9.**

(N)

(N)

ISSUE DATE:
September 19, 2022

Issued Under Transmittal No. 125
Vice President-Regulatory Operations
100 CenturyLink Drive
Monroe, Louisiana 71203

EFFECTIVE DATE:
October 4, 2022

ACCESS SERVICE

14. Special Construction (Cont'd)

14.3 Rates and Charges (Cont'd)

14.3.2 Charges to Provide Permanent Facilities Other Than to the Federal Government (Cont'd)

This page is reserved for future use.

(N)

(D)

(D)

**Material deleted from this page now appears in Brightspeed Local Operating Companies
Tariff F.C.C. NO. 9.**

(N)

(N)

ISSUE DATE:
September 19, 2022

Issued Under Transmittal No. 125
Vice President-Regulatory Operations
100 CenturyLink Drive
Monroe, Louisiana 71203

EFFECTIVE DATE:
October 4, 2022

ACCESS SERVICE

14. Special Construction (Cont'd)

14.3 Rates and Charges (Cont'd)

14.3.2 Charges to Provide Permanent Facilities Other Than to the Federal Government (Cont'd)

This page is reserved for future use.

(N)

(D)

(D)

**Material deleted from this page now appears in Brightspeed Local Operating Companies
Tariff F.C.C. NO. 9.**

(N)

(N)

ISSUE DATE:
September 19, 2022

Issued Under Transmittal No. 125
Vice President-Regulatory Operations
100 CenturyLink Drive
Monroe, Louisiana 71203

EFFECTIVE DATE:
October 4, 2022

ACCESS SERVICE

14. Special Construction (Cont'd)

14.3 Rates and Charges (Cont'd)

14.3.2 Charges to Provide Permanent Facilities Other Than to the Federal Government (Cont'd)

This page is reserved for future use.

(N)

(D)

(D)

**Material deleted from this page now appears in Brightspeed Local Operating Companies
Tariff F.C.C. NO. 9.**

(N)

(N)

ISSUE DATE:
September 19, 2022

Issued Under Transmittal No. 125
Vice President-Regulatory Operations
100 CenturyLink Drive
Monroe, Louisiana 71203

EFFECTIVE DATE:
October 4, 2022

ACCESS SERVICE

14. Special Construction (Cont'd)

14.3 Rates and Charges (Cont'd)

14.3.2 Charges to Provide Permanent Facilities Other Than to the Federal Government (Cont'd)

This page is reserved for future use.

(N)

(D)

(D)

**Material deleted from this page now appears in Brightspeed Local Operating Companies
Tariff F.C.C. NO. 9.**

(N)

(N)

ISSUE DATE:
September 19, 2022

Issued Under Transmittal No. 125
Vice President-Regulatory Operations
100 CenturyLink Drive
Monroe, Louisiana 71203

EFFECTIVE DATE:
October 4, 2022

ACCESS SERVICE

14. Special Construction (Cont'd)

14.3 Rates and Charges (Cont'd)

14.3.2 Charges to Provide Permanent Facilities Other Than to the Federal Government (Cont'd)

This page is reserved for future use.

(N)

(D)

(D)

**Material deleted from this page now appears in Brightspeed Local Operating Companies
Tariff F.C.C. NO. 9.**

(N)

(N)

ISSUE DATE:
September 19, 2022

Issued Under Transmittal No. 125
Vice President-Regulatory Operations
100 CenturyLink Drive
Monroe, Louisiana 71203

EFFECTIVE DATE:
October 4, 2022

ACCESS SERVICE

14. Special Construction (Cont'd)

14.3 Rates and Charges (Cont'd)

14.3.2 Charges to Provide Permanent Facilities Other Than to the Federal Government (Cont'd)

This page is reserved for future use.

(N)

(D)

(D)

**Material deleted from this page now appears in Brightspeed Local Operating Companies
Tariff F.C.C. NO. 9.**

(N)

(N)

ISSUE DATE:
September 19, 2022

Issued Under Transmittal No. 125
Vice President-Regulatory Operations
100 CenturyLink Drive
Monroe, Louisiana 71203

EFFECTIVE DATE:
October 4, 2022

ACCESS SERVICE

14. Special Construction (Cont'd)

14.3 Rates and Charges (Cont'd)

14.3.2 Charges to Provide Permanent Facilities Other Than to the Federal Government (Cont'd)

This page is reserved for future use.

(N)

(D)

(D)

**Material deleted from this page now appears in Brightspeed Local Operating Companies
Tariff F.C.C. NO. 9.**

(N)

(N)

ISSUE DATE:
September 19, 2022

Issued Under Transmittal No. 125
Vice President-Regulatory Operations
100 CenturyLink Drive
Monroe, Louisiana 71203

EFFECTIVE DATE:
October 4, 2022

ACCESS SERVICE

14. Special Construction (Cont'd)

14.3 Rates and Charges (Cont'd)

14.3.2 Charges to Provide Permanent Facilities Other Than to the Federal Government (Cont'd)

This page is reserved for future use.

(N)

(D)

(D)

**Material deleted from this page now appears in Brightspeed Local Operating Companies
Tariff F.C.C. NO. 9.**

(N)

(N)

ISSUE DATE:
September 19, 2022

Issued Under Transmittal No. 125
Vice President-Regulatory Operations
100 CenturyLink Drive
Monroe, Louisiana 71203

EFFECTIVE DATE:
October 4, 2022

ACCESS SERVICE

14. Special Construction (Cont'd)

14.3 Rates and Charges (Cont'd)

14.3.2 Charges to Provide Permanent Facilities Other Than to the Federal Government (Cont'd)

This page is reserved for future use.

(N)

(D)

(D)

**Material deleted from this page now appears in Brightspeed Local Operating Companies
Tariff F.C.C. NO. 9.**

(N)

(N)

ISSUE DATE:
September 19, 2022

Issued Under Transmittal No. 125
Vice President-Regulatory Operations
100 CenturyLink Drive
Monroe, Louisiana 71203

EFFECTIVE DATE:
October 4, 2022

ACCESS SERVICE

14. Special Construction (Cont'd)

14.3 Rates and Charges (Cont'd)

14.3.2 Charges to Provide Permanent Facilities Other Than to the Federal Government (Cont'd)

This page is reserved for future use.

(N)

(D)

(D)

**Material deleted from this page now appears in Brightspeed Local Operating Companies
Tariff F.C.C. NO. 9.**

(N)

(N)

ISSUE DATE:
September 19, 2022

Issued Under Transmittal No. 125
Vice President-Regulatory Operations
100 CenturyLink Drive
Monroe, Louisiana 71203

EFFECTIVE DATE:
October 4, 2022

ACCESS SERVICE

14. Special Construction (Cont'd)

14.3 Rates and Charges (Cont'd)

14.3.2 Charges to Provide Permanent Facilities Other Than to the Federal Government (Cont'd)

This page is reserved for future use.

(N)

(D)

(D)

**Material deleted from this page now appears in Brightspeed Local Operating Companies
Tariff F.C.C. NO. 9.**

(N)

(N)

ISSUE DATE:
September 19, 2022

Issued Under Transmittal No. 125
Vice President-Regulatory Operations
100 CenturyLink Drive
Monroe, Louisiana 71203

EFFECTIVE DATE:
October 4, 2022

ACCESS SERVICE

14. Special Construction (Cont'd)

14.3 Rates and Charges (Cont'd)

14.3.2 Charges to Provide Permanent Facilities Other Than to the Federal Government (Cont'd)

This page is reserved for future use.

(N)

(D)

(D)

**Material deleted from this page now appears in Brightspeed Local Operating Companies
Tariff F.C.C. NO. 9.**

(N)

(N)

ISSUE DATE:
September 19, 2022

Issued Under Transmittal No. 125
Vice President-Regulatory Operations
100 CenturyLink Drive
Monroe, Louisiana 71203

EFFECTIVE DATE:
October 4, 2022

ACCESS SERVICE

14. Special Construction (Cont'd)

14.3 Rates and Charges (Cont'd)

14.3.2 Charges to Provide Permanent Facilities Other Than to the Federal Government (Cont'd)

This page is reserved for future use.

(N)

(D)

(D)

**Material deleted from this page now appears in Brightspeed Local Operating Companies
Tariff F.C.C. NO. 9.**

(N)

(N)

ISSUE DATE:
September 19, 2022

Issued Under Transmittal No. 125
Vice President-Regulatory Operations
100 CenturyLink Drive
Monroe, Louisiana 71203

EFFECTIVE DATE:
October 4, 2022

ACCESS SERVICE

14. Special Construction (Cont'd)

14.3 Rates and Charges (Cont'd)

14.3.2 Charges to Provide Permanent Facilities Other Than to the Federal Government (Cont'd)

This page is reserved for future use.

(N)

(D)

(D)

**Material deleted from this page now appears in Brightspeed Local Operating Companies
Tariff F.C.C. NO. 9.**

(N)

(N)

ISSUE DATE:
September 19, 2022

Issued Under Transmittal No. 125
Vice President-Regulatory Operations
100 CenturyLink Drive
Monroe, Louisiana 71203

EFFECTIVE DATE:
October 4, 2022

ACCESS SERVICE

14. Special Construction (Cont'd)

14.3 Rates and Charges (Cont'd)

14.3.2 Charges to Provide Permanent Facilities Other Than to the Federal Government (Cont'd)

This page is reserved for future use.

(N)

(D)

(D)

**Material deleted from this page now appears in Brightspeed Local Operating Companies
Tariff F.C.C. NO. 9.**

(N)

(N)

ISSUE DATE:
September 19, 2022

Issued Under Transmittal No. 125
Vice President-Regulatory Operations
100 CenturyLink Drive
Monroe, Louisiana 71203

EFFECTIVE DATE:
October 4, 2022

ACCESS SERVICE

14. Special Construction (Cont'd)

14.3 Rates and Charges (Cont'd)

14.3.2 Charges to Provide Permanent Facilities Other Than to the Federal Government (Cont'd)

This page is reserved for future use.

(N)

(D)

(D)

**Material deleted from this page now appears in Brightspeed Local Operating Companies
Tariff F.C.C. NO. 9.**

(N)

(N)

ISSUE DATE:
September 19, 2022

Issued Under Transmittal No. 125
Vice President-Regulatory Operations
100 CenturyLink Drive
Monroe, Louisiana 71203

EFFECTIVE DATE:
October 4, 2022

ACCESS SERVICE

14. Special Construction (Cont'd)

14.3 Rates and Charges (Cont'd)

14.3.2 Charges to Provide Permanent Facilities Other Than to the Federal Government (Cont'd)

This page is reserved for future use.

(N)

(D)

(D)

**Material deleted from this page now appears in Brightspeed Local Operating Companies
Tariff F.C.C. NO. 9.**

(N)

(N)

ISSUE DATE:
September 19, 2022

Issued Under Transmittal No. 125
Vice President-Regulatory Operations
100 CenturyLink Drive
Monroe, Louisiana 71203

EFFECTIVE DATE:
October 4, 2022

ACCESS SERVICE

14. Special Construction (Cont'd)

14.3 Rates and Charges (Cont'd)

14.3.2 Charges to Provide Permanent Facilities Other Than to the Federal Government (Cont'd)

This page is reserved for future use.

(N)

(D)

(D)

**Material deleted from this page now appears in Brightspeed Local Operating Companies
Tariff F.C.C. NO. 9.**

(N)

(N)

ISSUE DATE:
September 19, 2022

Issued Under Transmittal No. 125
Vice President-Regulatory Operations
100 CenturyLink Drive
Monroe, Louisiana 71203

EFFECTIVE DATE:
October 4, 2022

ACCESS SERVICE

14. Special Construction (Cont'd)

14.3 Rates and Charges (Cont'd)

14.3.2 Charges to Provide Permanent Facilities Other Than to the Federal Government (Cont'd)

This page is reserved for future use.

(N)

(D)

(D)

**Material deleted from this page now appears in Brightspeed Local Operating Companies
Tariff F.C.C. NO. 9.**

(N)

(N)

ISSUE DATE:
September 19, 2022

Issued Under Transmittal No. 125
Vice President-Regulatory Operations
100 CenturyLink Drive
Monroe, Louisiana 71203

EFFECTIVE DATE:
October 4, 2022

ACCESS SERVICE

14. Special Construction (Cont'd)

14.3 Rates and Charges (Cont'd)

14.3.2 Charges to Provide Permanent Facilities Other Than to the Federal Government (Cont'd)

This page is reserved for future use.

(N)

(D)

(D)

**Material deleted from this page now appears in Brightspeed Local Operating Companies
Tariff F.C.C. NO. 9.**

(N)

(N)

ISSUE DATE:
September 19, 2022

Issued Under Transmittal No. 125
Vice President-Regulatory Operations
100 CenturyLink Drive
Monroe, Louisiana 71203

EFFECTIVE DATE:
October 4, 2022

ACCESS SERVICE

14. Special Construction (Cont'd)

14.3 Rates and Charges (Cont'd)

14.3.2 Charges to Provide Permanent Facilities Other Than to the Federal Government (Cont'd)

This page is reserved for future use.

(N)

(D)

(D)

**Material deleted from this page now appears in Brightspeed Local Operating Companies
Tariff F.C.C. NO. 9.**

(N)

(N)

ISSUE DATE:
September 19, 2022

Issued Under Transmittal No. 125
Vice President-Regulatory Operations
100 CenturyLink Drive
Monroe, Louisiana 71203

EFFECTIVE DATE:
October 4, 2022

ACCESS SERVICE

14. Special Construction (Cont'd)

14.3 Rates and Charges (Cont'd)

14.3.2 Charges to Provide Permanent Facilities Other Than to the Federal Government (Cont'd)

This page is reserved for future use.

(N)

(D)

(D)

**Material deleted from this page now appears in Brightspeed Local Operating Companies
Tariff F.C.C. NO. 9.**

(N)

(N)

ISSUE DATE:
September 19, 2022

Issued Under Transmittal No. 125
Vice President-Regulatory Operations
100 CenturyLink Drive
Monroe, Louisiana 71203

EFFECTIVE DATE:
October 4, 2022

ACCESS SERVICE

14. Special Construction (Cont'd)

14.3 Rates and Charges (Cont'd)

14.3.2 Charges to Provide Permanent Facilities Other Than to the Federal Government (Cont'd)

This page is reserved for future use.

(N)

(D)

(D)

**Material deleted from this page now appears in Brightspeed Local Operating Companies
Tariff F.C.C. NO. 9.**

(N)

(N)

ISSUE DATE:
September 19, 2022

Issued Under Transmittal No. 125
Vice President-Regulatory Operations
100 CenturyLink Drive
Monroe, Louisiana 71203

EFFECTIVE DATE:
October 4, 2022

ACCESS SERVICE

14. Special Construction (Cont'd)

14.3 Rates and Charges (Cont'd)

14.3.2 Charges to Provide Permanent Facilities Other Than to the Federal Government (Cont'd)

This page is reserved for future use.

(N)

(D)

(D)

**Material deleted from this page now appears in Brightspeed Local Operating Companies
Tariff F.C.C. NO. 9.**

(N)

(N)

ISSUE DATE:
September 19, 2022

Issued Under Transmittal No. 125
Vice President-Regulatory Operations
100 CenturyLink Drive
Monroe, Louisiana 71203

EFFECTIVE DATE:
October 4, 2022

ACCESS SERVICE

14. Special Construction (Cont'd)

14.3 Rates and Charges (Cont'd)

14.3.2 Charges to Provide Permanent Facilities Other Than to the Federal Government (Cont'd)

This page is reserved for future use.

(N)

(D)

(D)

**Material deleted from this page now appears in Brightspeed Local Operating Companies
Tariff F.C.C. NO. 9.**

(N)

(N)

ISSUE DATE:
September 19, 2022

Issued Under Transmittal No. 125
Vice President-Regulatory Operations
100 CenturyLink Drive
Monroe, Louisiana 71203

EFFECTIVE DATE:
October 4, 2022

ACCESS SERVICE

14. Special Construction (Cont'd)

14.3 Rates and Charges (Cont'd)

14.3.2 Charges to Provide Permanent Facilities Other Than to the Federal Government (Cont'd)

This page is reserved for future use.

(N)

(D)

(D)

**Material deleted from this page now appears in Brightspeed Local Operating Companies
Tariff F.C.C. NO. 9.**

(N)

(N)

ISSUE DATE:
September 19, 2022

Issued Under Transmittal No. 125
Vice President-Regulatory Operations
100 CenturyLink Drive
Monroe, Louisiana 71203

EFFECTIVE DATE:
October 4, 2022

ACCESS SERVICE

14. Special Construction (Cont'd)

14.3 Rates and Charges (Cont'd)

14.3.2 Charges to Provide Permanent Facilities Other Than to the Federal Government (Cont'd)

This page is reserved for future use.

(N)

(D)

(D)

**Material deleted from this page now appears in Brightspeed Local Operating Companies
Tariff F.C.C. NO. 9.**

(N)

(N)

ISSUE DATE:
September 19, 2022

Issued Under Transmittal No. 125
Vice President-Regulatory Operations
100 CenturyLink Drive
Monroe, Louisiana 71203

EFFECTIVE DATE:
October 4, 2022

ACCESS SERVICE

14. Special Construction (Cont'd)

14.3 Rates and Charges (Cont'd)

14.3.2 Charges to Provide Permanent Facilities Other Than to the Federal Government (Cont'd)

This page is reserved for future use.

(N)

(D)

(D)

**Material deleted from this page now appears in Brightspeed Local Operating Companies
Tariff F.C.C. NO. 9.**

(N)

(N)

ISSUE DATE:
September 19, 2022

Issued Under Transmittal No. 125
Vice President-Regulatory Operations
100 CenturyLink Drive
Monroe, Louisiana 71203

EFFECTIVE DATE:
October 4, 2022

ACCESS SERVICE

14. Special Construction (Cont'd)

14.3 Rates and Charges (Cont'd)

14.3.2 Charges to Provide Permanent Facilities Other Than to the Federal Government (Cont'd)

This page is reserved for future use.

(N)

(D)

(D)

**Material deleted from this page now appears in Brightspeed Local Operating Companies
Tariff F.C.C. NO. 9.**

(N)

(N)

ISSUE DATE:
September 19, 2022

Issued Under Transmittal No. 125
Vice President-Regulatory Operations
100 CenturyLink Drive
Monroe, Louisiana 71203

EFFECTIVE DATE:
October 4, 2022

ACCESS SERVICE

14. Special Construction (Cont'd)

14.3 Rates and Charges (Cont'd)

14.3.2 Charges to Provide Permanent Facilities Other Than to the Federal Government (Cont'd)

This page is reserved for future use.

(N)

(D)

(D)

**Material deleted from this page now appears in Brightspeed Local Operating Companies
Tariff F.C.C. NO. 9.**

(N)

(N)

ISSUE DATE:
September 19, 2022

Issued Under Transmittal No. 125
Vice President-Regulatory Operations
100 CenturyLink Drive
Monroe, Louisiana 71203

EFFECTIVE DATE:
October 4, 2022

ACCESS SERVICE

14. Special Construction (Cont'd)

14.3 Rates and Charges (Cont'd)

14.3.2 Charges to Provide Permanent Facilities Other Than to the Federal Government (Cont'd)

This page is reserved for future use.

(N)

(D)

(D)

**Material deleted from this page now appears in Brightspeed Local Operating Companies
Tariff F.C.C. NO. 9.**

(N)

(N)

ISSUE DATE:
September 19, 2022

Issued Under Transmittal No. 125
Vice President-Regulatory Operations
100 CenturyLink Drive

EFFECTIVE DATE:
October 4, 2022
Monroe, Louisiana 71203

ACCESS SERVICE

14. Special Construction (Cont'd)

14.3 Rates and Charges (Cont'd)

14.3.2 Charges to Provide Permanent Facilities Other Than to the Federal Government (Cont'd)

This page is reserved for future use.

(N)

(D)

(D)

**Material deleted from this page now appears in Brightspeed Local Operating Companies
Tariff F.C.C. NO. 9.**

(N)

(N)

ISSUE DATE:
September 19, 2022

Issued Under Transmittal No. 125
Vice President-Regulatory Operations
100 CenturyLink Drive
Monroe, Louisiana 71203

EFFECTIVE DATE:
October 4, 2022

ACCESS SERVICE

14. Special Construction (Cont'd)

14.3 Rates and Charges (Cont'd)

14.3.2 Charges to Provide Permanent Facilities Other Than to the Federal Government (Cont'd)

This page is reserved for future use.

(N)

(D)

(D)

**Material deleted from this page now appears in Brightspeed Local Operating Companies
Tariff F.C.C. NO. 9.**

(N)

(N)

ISSUE DATE:
September 19, 2022

Issued Under Transmittal No. 125
Vice President-Regulatory Operations
100 CenturyLink Drive
Monroe, Louisiana 71203

EFFECTIVE DATE:
October 4, 2022

ACCESS SERVICE

14. Special Construction (Cont'd)

14.3 Rates and Charges (Cont'd)

14.3.2 Charges to Provide Permanent Facilities Other Than to the Federal Government (Cont'd)

This page is reserved for future use.

(N)

(D)

(D)

**Material deleted from this page now appears in Brightspeed Local Operating Companies
Tariff F.C.C. NO. 9.**

(N)

(N)

ISSUE DATE:
September 19, 2022

Issued Under Transmittal No. 125
Vice President-Regulatory Operations
100 CenturyLink Drive
Monroe, Louisiana 71203

EFFECTIVE DATE:
October 4, 2022

ACCESS SERVICE

14. Special Construction (Cont'd)

14.3 Rates and Charges (Cont'd)

14.3.2 Charges to Provide Permanent Facilities Other Than to the Federal Government (Cont'd)

This page is reserved for future use.

(N)

(D)

(D)

**Material deleted from this page now appears in Brightspeed Local Operating Companies
Tariff F.C.C. NO. 9.**

(N)

(N)

ISSUE DATE:
September 19, 2022

Issued Under Transmittal No. 125
Vice President-Regulatory Operations
100 CenturyLink Drive
Monroe, Louisiana 71203

EFFECTIVE DATE:
October 4, 2022

ACCESS SERVICE

14. Special Construction (Cont'd)

14.3 Rates and Charges (Cont'd)

14.3.2 Charges to Provide Permanent Facilities Other Than to the Federal Government (Cont'd)

This page is reserved for future use.

(N)

(D)

(D)

**Material deleted from this page now appears in Brightspeed Local Operating Companies
Tariff F.C.C. NO. 9.**

(N)

(N)

ISSUE DATE:
September 19, 2022

Issued Under Transmittal No. 125
Vice President-Regulatory Operations
100 CenturyLink Drive
Monroe, Louisiana 71203

EFFECTIVE DATE:
October 4, 2022

ACCESS SERVICE

14. Special Construction (Cont'd)

14.3 Rates and Charges (Cont'd)

14.3.2 Charges to Provide Permanent Facilities Other Than to the Federal Government (Cont'd)

This page is reserved for future use.

(N)

(D)

(D)

**Material deleted from this page now appears in Brightspeed Local Operating Companies
Tariff F.C.C. NO. 9.**

(N)

(N)

ISSUE DATE:
September 19, 2022

Issued Under Transmittal No. 125
Vice President-Regulatory Operations
100 CenturyLink Drive
Monroe, Louisiana 71203

EFFECTIVE DATE:
October 4, 2022

ACCESS SERVICE

14. Special Construction (Cont'd)

14.3 Rates and Charges (Cont'd)

14.3.2 Charges to Provide Permanent Facilities Other Than to the Federal Government (Cont'd)

This page is reserved for future use.

(N)

(D)

(D)

**Material deleted from this page now appears in Brightspeed Local Operating Companies
Tariff F.C.C. NO. 9.**

(N)

(N)

ISSUE DATE:
September 19, 2022

Issued Under Transmittal No. 125
Vice President-Regulatory Operations
100 CenturyLink Drive
Monroe, Louisiana 71203

EFFECTIVE DATE:
October 4, 2022

ACCESS SERVICE

14. Special Construction (Cont'd)

14.3 Rates and Charges (Cont'd)

14.3.2 Charges to Provide Permanent Facilities Other Than to the Federal Government (Cont'd)

This page is reserved for future use.

(N)

(D)

(D)

**Material deleted from this page now appears in Brightspeed Local Operating Companies
Tariff F.C.C. NO. 9.**

(N)

(N)

ISSUE DATE:
September 19, 2022

Issued Under Transmittal No. 125
Vice President-Regulatory Operations
100 CenturyLink Drive
Monroe, Louisiana 71203

EFFECTIVE DATE:
October 4, 2022

ACCESS SERVICE

14. Special Construction (Cont'd)

14.3 Rates and Charges (Cont'd)

14.3.2 Charges to Provide Permanent Facilities Other Than to the Federal Government (Cont'd)

This page is reserved for future use.

(N)

(D)

(D)

**Material deleted from this page now appears in Brightspeed Local Operating Companies
Tariff F.C.C. NO. 9.**

(N)

(N)

ISSUE DATE:
September 19, 2022

Issued Under Transmittal No. 125
Vice President-Regulatory Operations
100 CenturyLink Drive
Monroe, Louisiana 71203

EFFECTIVE DATE:
October 4, 2022

ACCESS SERVICE

14. Special Construction (Cont'd)

14.3 Rates and Charges (Cont'd)

14.3.2 Charges to Provide Permanent Facilities Other Than to the Federal Government (Cont'd)

This page is reserved for future use.

(N)

(D)

(D)

**Material deleted from this page now appears in Brightspeed Local Operating Companies
Tariff F.C.C. NO. 9.**

(N)

(N)

ISSUE DATE:
September 19, 2022

Issued Under Transmittal No. 125
Vice President-Regulatory Operations
100 CenturyLink Drive
Monroe, Louisiana 71203

EFFECTIVE DATE:
October 4, 2022

ACCESS SERVICE

14. Special Construction (Cont'd)

14.3 Rates and Charges (Cont'd)

14.3.2 Charges to Provide Permanent Facilities Other Than to the Federal Government (Cont'd)

This page is reserved for future use.

(N)

(D)

(D)

**Material deleted from this page now appears in Brightspeed Local Operating Companies
Tariff F.C.C. NO. 9.**

(N)

(N)

ISSUE DATE:
September 19, 2022

Issued Under Transmittal No. 125
Vice President-Regulatory Operations
100 CenturyLink Drive
Monroe, Louisiana 71203

EFFECTIVE DATE:
October 4, 2022

ACCESS SERVICE

14. Special Construction (Cont'd)

14.3 Rates and Charges (Cont'd)

14.3.2 Charges to Provide Permanent Facilities Other Than to the Federal Government (Cont'd)

This page is reserved for future use.

(N)

(D)

(D)

**Material deleted from this page now appears in Brightspeed Local Operating Companies
Tariff F.C.C. NO. 9.**

(N)

(N)

ISSUE DATE:
September 19, 2022

Issued Under Transmittal No. 125
Vice President-Regulatory Operations
100 CenturyLink Drive
Monroe, Louisiana 71203

EFFECTIVE DATE:
October 4, 2022

ACCESS SERVICE

14. Special Construction (Cont'd)

14.3 Rates and Charges (Cont'd)

14.3.2 Charges to Provide Permanent Facilities Other Than to the Federal Government (Cont'd)

This page is reserved for future use.

(N)

(D)

(D)

**Material deleted from this page now appears in Brightspeed Local Operating Companies
Tariff F.C.C. NO. 9.**

(N)

(N)

ISSUE DATE:
September 19, 2022

Issued Under Transmittal No. 125
Vice President-Regulatory Operations
100 CenturyLink Drive
Monroe, Louisiana 71203

EFFECTIVE DATE:
October 4, 2022

ACCESS SERVICE

14. Special Construction (Cont'd)14.3 Rates and Charges (Cont'd)14.3.2 Charges to Provide Permanent Facilities Other Than to the Federal Government (Cont'd)WASHINGTON

<u>Customer Name</u>	<u>Description</u>	
Execulines, Inc. 3030 West Clearwater Suite 110 Kennewick, Washington 99336	Special construction charges for provision of 48 channel entrance facilities between the Sunnyside, WA central office and the customer designated premises at Sunnyside Airport - Hangar J, East Edison Street, Sunnyside, Washington.	
Nonrecurring Charge	\$355.00	
<u>Maximum Termination Liability*</u>	<u>Effective Date</u>	<u>Expiration Date</u>
\$11,300.00	03/13/87	03/12/97
3,766.67	03/13/97	03/12/02
Initial Liability Period	03/13/87	03/12/88
Annual Underutilization Liability Charge - per trunk	\$101.75	

* Reduced by 1/180 of \$11,300.00 for each month in service.

ISSUE DATE:
February 28, 2011

Issued Under Transmittal No. 1
Vice President-Regulatory Operations
100 CenturyLink Drive
Monroe, Louisiana 71203

EFFECTIVE DATE:
March 1, 2011

ACCESS SERVICE

14. Special Construction (Cont'd)14.3 Rates and Charges (Cont'd)14.3.2 Charges to Provide Permanent Facilities Other Than to the Federal Government (Cont'd)WASHINGTON (Cont'd)

<u>Customer Name</u>	<u>Description</u>
Sprint PCS 4683 Chabot Drive Pleasanton, California 94588 ICB # 1999-WO-4DVTJR	Special construction charges for the installation of 2,000 feet of copper cable for the provision of DS1 facilities between the telephone company central office located at 170 SW 1st Street, Stevenson, Washington, and the customer's cell site located at 40332 State Route 14, North Bonneville, Washington.
Monthly Recurring Charge Taxes & Maintenance	\$127.37
<u>USOC</u>	WA003
Termination Liability	The minimum service period is 36 months. At the end of the 36 month term, this charge will continue until the customer disconnects service.
Monthly Recurring Charge Copper Cable	\$290.44
<u>USOC</u>	WA004
Termination Liability	The minimum service period is 36 months. If the customer disconnects service prior to the end of the 36th month, termination liability charges equal to 100% of the remaining monthly payments for the 36 month term will apply.

ISSUE DATE:
February 28, 2011

Issued Under Transmittal No. 1
Vice President-Regulatory Operations
100 CenturyLink Drive
Monroe, Louisiana 71203

EFFECTIVE DATE:
March 1, 2011

ACCESS SERVICE

14. Special Construction (Cont'd)14.3 Rates and Charges (Cont'd)14.3.2 Charges to Provide Permanent Facilities Other Than to the Federal Government (Cont'd)WASHINGTON (Cont'd)

<u>Customer Name</u>	<u>Description</u>
Sprint PCS 4683 Chabot Drive Pleasanton, California 94588 ICB # 1999-WO-4BKV6B	Special construction charges for the installation of 2,150 feet of copper cable for the provision of DS1 facilities between the telephone company central office located at 10799 SW Cascade Avenue, Tiggard, Oregon, and the customer's cell site located off of Lacock-Kelchner Road in White Salmon, Washington.
Monthly Recurring Charge Taxes & Maintenance	\$53.08
<u>USOC</u>	WA006
Termination Liability	The minimum service period is 12 months. At the end of the 12 month term, this charge will continue until the customer disconnects service.
Monthly Recurring Charge Copper Cable	\$980.00
<u>USOC</u>	WA005
Termination Liability	The minimum service period is 12 months. If the customer disconnects service prior to the end of the 12th month, termination liability charges equal to 100% of the remaining monthly payments for the 12 month term will apply.

ISSUE DATE:
February 28, 2011

Issued Under Transmittal No. 1
Vice President-Regulatory Operations
100 CenturyLink Drive
Monroe, Louisiana 71203

EFFECTIVE DATE:
March 1, 2011

ACCESS SERVICE

14. Special Construction (Cont'd)14.3 Rates and Charges (Cont'd)14.3.2 Charges to Provide Permanent Facilities Other Than to the Federal Government (Cont'd)WASHINGTON (Cont'd)

<u>Customer Name</u>	<u>Description</u>
US Cellular 503 Oak Ridge Road White Salmon, Washington 98672 ICB # 2005-WO-6BKV5W	Special construction charges for the installation of 5,000 feet of copper cable for the provision of a DS1 facility between the Telephone Company's central office located at 225 North Main Street, White Salmon, Washington and the customer's designated premises located at 503 Oak Ridge Road, White Salmon, Washington.
Monthly Recurring Rate: Copper Cable and Taxes and Maintenance	\$543.00
<u>USOC</u>	WA035
<u>Termination Liability:</u>	The minimum service period is 60 months. If the customer disconnects service prior to the end of the 60th month, termination liability charges equal to 100% of the remaining monthly payments for the 60 month term will apply.

ISSUE DATE:
February 28, 2011

Issued Under Transmittal No. 1
Vice President-Regulatory Operations
100 CenturyLink Drive
Monroe, Louisiana 71203

EFFECTIVE DATE:
March 1, 2011

ACCESS SERVICE

14. Special Construction (Cont'd)
- 14.3 Rates and Charges (Cont'd)
- 14.3.2 Charges to Provide Permanent Facilities Other Than to the Federal Government (Cont'd)

WASHINGTON (Cont'd)

<u>Customer Name</u>	<u>Description</u>
Charter Communications 12150 Monument Drive Suite 700 Fairfax, Virginia 22033 ICB # 2007-SO-74EM7J	Special construction charges for the installation of 1,900 feet of fiber optic cable for the provision of a DS3 facility between the Telephone Company's central office located at 405 South Fifth Street, Sunnyside, Washington and the customer's designated premises located at 413 Warehouse Avenue, Sunnyside, Washington.
Nonrecurring Charge: Fiber Optic Cable and Taxes and Maintenance	\$5,826.00

ISSUE DATE:
February 28, 2011

Issued Under Transmittal No. 1
Vice President-Regulatory Operations
100 CenturyLink Drive
Monroe, Louisiana 71203

EFFECTIVE DATE:
March 1, 2011

ACCESS SERVICE

14. Special Construction (Cont'd)

(N)

14.3 Rates and Charges (Cont'd)

14.3.2 Charges to Provide Permanent Facilities Other Than to the Federal Government (Cont'd)

WASHINGTON (Cont'd)

Customer: US Cellular

ICB# 2012-WO-8WK668

Description: Special construction charges for the installation 5,200 feet of fiber optic cable for the provision of 1 DS1 between the Telephone Company's serving wire center located at 255 Main Ave., White Salmon, Washington to the customer cell site located at 503 Oak ridge Rd., White Salmon, Washington. A monthly recurring charge of \$2,731.00 is due each month for a term of 3 years.

Monthly Recurring Charge:

\$2,731.00

(N)

ISSUE DATE:
January 22, 2013
Monroe, Louisiana 71203

Issued Under Transmittal No. 32
Vice President-Regulatory Operations
100 CenturyLink Drive

EFFECTIVE DATE:
February 6, 2013

ACCESS SERVICE

15. Common Channel Signaling/Signaling System 7 (CCS/SS7) Data Base Services

15.1 Line Information Data Base (LIDB) Access Service

15.1.1 General

Line Information Data Base (LIDB) Access Service provides the customer the ability to access billing validation data contained on the Telephone Company's **LIDB**. The LIDB is accessed through the Telephone Company SS7 network which utilizes American National Standards Institute (ANSI) signaling protocol. Access to the Telephone Company's LIDB provides customers the ability to provide toll fraud protection by validating calling card and toll billing exception data and performing public telephone checks. (D)

15.1.2 Description

LIDB Access Service is provided by the Telephone Company to its customers in support of alternate billing services. LIDB Access Service provides access to billing validation data which resides on the Telephone Company data base for use with alternate billing services. Alternate billing services allow customer's end users the ability to bill calls to an account not necessarily associated with the originating line. LIDB Access Service supports alternate billing services such as Calling Card, Collect Calls, and Third Number Billing.

Customers participating in LIDB Access Service for purposes of obtaining billing validation data, which resides on the Telephone Company data base, originate queries to the LIDB from an operator services system (OSS) identified by an originating point code (OPC). The LIDB query is routed through one of **the** Telephone Company inter-connecting Signaling Transfer Points (**STPs**) to the Telephone Company Regional Service Control Point (SCP) where the LIDB resides. (D) (D)

Material deleted from this page now appears in Brightspeed Local Operating Companies Tariff F.C.C. NO. 9. (N) (N)

ISSUE DATE:
September 19, 2022

Issued Under Transmittal No. 125
Vice President-Regulatory Operations
100 CenturyLink Drive
Monroe, Louisiana 71203

EFFECTIVE DATE:
October 4, 2022

ACCESS SERVICE

15. Common Channel Signaling/Signaling System 7 (CCS/SS7) Data Base Services (Cont'd)15.1 Line Information Data Base (LIDB) Access Service (Cont'd)15.1.2 Description (Cont'd)

The requested billing validation data, in the form of signaling information, is passed back via either one of the two Telephone Company interconnecting STPs to the customer's designated OSS where the LIDB query was originated. The Telephone Company LIDB will receive and respond to Calling Card Service and Billed Number Screening queries as defined in Technical Reference Publications GR-246, FR-271, GR-905 and GR-954.

LIDB Access Service will provide the following functions on a per query basis:

- Validation of a telecommunications calling card stored on LIDB.
- Determination of whether the billed line automatically rejects certain calls billed as collect or third number.
- Determination of whether the billed line in the Billed Number Screening Query is a public telephone number using the "Service or Equipment Indicator" in the LIDB.

All access to the Telephone Company's LIDB will occur through **the** Telephone Company interconnecting **STPs**. **The** Telephone Company will provide customer interconnection to the Telephone Company interconnecting STPs through its Common Channel Signaling/Signaling System 7 (CCS/SS7) Interconnection Service provided in Section 6.8.2(G) preceding.

(D)
(D)

**Material deleted from this page now appears in Brightspeed Local Operating Companies
Tariff F.C.C. NO. 9.**

(N)
(N)

ISSUE DATE:
September 19, 2022

Issued Under Transmittal No. 125
Vice President-Regulatory Operations
100 CenturyLink Drive
Monroe, Louisiana 71203

EFFECTIVE DATE:
October 4, 2022

ACCESS SERVICE

15. Common Channel Signaling/Signaling System 7 (CCS/SS7) Data Base Services (Cont'd)15.1 Line Information Data Base (LIDB) Access Service (Cont'd)15.1.2 Description (Cont'd)(A) Limitations

Unless expressly authorized in writing by the customer and the Telephone Company, LIDB Access Service is not to be used for purposes other than those LIDB functions described in 15.1.2 preceding. LIDB Access Service is to be used for those services only on a call-by-call basis and data accessed on LIDB may not be stored elsewhere for future use.

Proprietary information resident in the Telephone Company LIDB is protected from unauthorized access and may not be stored in a customer's data base for any reason. All information related to alternate billing services is proprietary. Some examples of proprietary information are as follows:

- Billed Number (resides in the Telephone Company LIDB)
- PIN Number(s) (resides in the Telephone Company LIDB)
- Billed Number Screening (BNS) indicators (resides in the Telephone Company LIDB)
- Reports on LIDB usage
- Information related to billing for LIDB usage
- LIDB usage statistics

ISSUE DATE:
February 28, 2011

Issued Under Transmittal No. 1
Vice President-Regulatory Operations
100 CenturyLink Drive
Monroe, Louisiana 71203

EFFECTIVE DATE:
March 1, 2011

ACCESS SERVICE

15. Common Channel Signaling/Signaling System 7 (CCS/SS7) Data Base Services (Cont'd)

15.1 Line Information Data Base (LIDB) Access Service (Cont'd)

15.1.2 Description (Cont'd)

(B) Rate Categories

There are two basic elements which apply to LIDB Access Service: Query Transport and Query.

(1) Query Transport

The Query Transport rate element provides for the transmission facilities between the Telephone Company's **STPs and** the Telephone Company SCP where the LIDB resides.

(D)

(2) Query

The Query rate element provides for the validation of calling card and toll billing exception data and performance of public telephone checks. For these validation purposes, LIDB Access Service customers will query the LIDB located in the Telephone Company SCP via the Telephone Company CCS/SS7 network. The LIDB will respond with a verification signal message back to the LIDB Access Service customer via the Telephone Company CCS/SS7 network.

The charges associated with Query Transport and Query are set forth in 15.1.6 following:

(C) Acceptance Testing

The Telephone Company will perform testing of the LIDB Access Service in conjunction with CCS/SS7 Interconnection Service as outlined in Technical Reference Publications GR-905 and GR-954.

**Material deleted from this page now appears in Brightspeed Local Operating Companies
Tariff F.C.C. NO. 9.**

(N)
(N)

ISSUE DATE:
September 19, 2022

Issued Under Transmittal No. 125
Vice President-Regulatory Operations
100 CenturyLink Drive
Monroe, Louisiana 71203

EFFECTIVE DATE:
October 4, 2022

ACCESS SERVICE

15. Common Channel Signaling/Signaling System 7 (CCS/SS7) Data Base Services (Cont'd)15.1 Line Information Data Base (LIDB) Access Service (Cont'd)15.1.2 Description (Cont'd)(D) Ordering Options and Conditions

LIDB Access Service is ordered under the Access Order provisions set forth in Section 5. preceding. Also, included in that section are other charges which may be associated with ordering LIDB Access Service (e.g., Service Date Change Charges).

15.1.3 Undertakings of the Telephone Company

In addition to the obligations of the Telephone Company set forth in Section 2. preceding, the Telephone Company has certain other obligations pertaining only to the provision of LIDB Access Service. These obligations are as follows:

(A) LIDB Data Specifications

The Telephone Company's LIDB will contain a record for every working line number and Billed Number group, served by the Telephone Company. Other exchange carriers who may store their data in the Telephone Company LIDB are requested to provide this data as well.

The Telephone company will administer its LIDB update process by use of a Data Base Administration system (DBAS). Updates contain information for calling card, collect and bill-to-third Party Alternate Billing Services (ABS) verification.

ISSUE DATE:
February 28, 2011

Issued Under Transmittal No. 1
Vice President-Regulatory Operations
100 CenturyLink Drive
Monroe, Louisiana 71203

EFFECTIVE DATE:
March 1, 2011

ACCESS SERVICE

15. Common Channel Signaling/Signaling System 7 (CCS/SS7) Data Base Services (Cont'd)15.1 Line Information Data Base (LIDB) Access Service (Cont'd)15.1.3 Undertakings of the Telephone Company (Cont'd)(A) LIDB Data Specifications (Cont'd)

The Telephone Company generates customer record service order update activity which is electronically transferred to LIDB from the DBAS system. Mechanized updates (e.g. add, delete, modify customer accounts as customers move, order new service, disconnect service, or become delinquent on their account) are processed daily, 6 days per week, Monday through Saturday. Emergency updates for calling cards reported lost, stolen or otherwise compromised will be made 7 days per week, 24 hours per day.

ABS query usage within LIDB is monitored for unusual patterns which may be indicators of abuse or attempted fraud. By using a threshold method, when validation queries for a specific LIDB record reach the Telephone Company established usage threshold level, the number is placed on an exception list and an investigator will determine the validity of the usage. If the usage is determined to be invalid, the investigator will immediately deactivate the record in LIDB.

Usage thresholds will be established by the Telephone Company. Thresholds may vary by class of end user account (e.g. residence, business). Usage thresholds are applied uniformly within LIDB, and will monitor combined query usage from all LIDB Access Service Customers.

ISSUE DATE:
February 28, 2011

Issued Under Transmittal No. 1
Vice President-Regulatory Operations
100 CenturyLink Drive
Monroe, Louisiana 71203

EFFECTIVE DATE:
March 1, 2011

ACCESS SERVICE

15. Common Channel Signaling/Signaling System 7 (CCS/SS7) Data Base Services (Cont'd)15.1 Line Information Data Base (LIDB) Access Service (Cont'd)15.1.3 Undertakings of the Telephone Company (Cont'd)(A) LIDB Data Specifications (Cont'd)

The Telephone Company will also establish usage thresholds which, when met by query activity to a calling card record, will automatically disable the record in LIDB. The number is placed on an exception list and an investigator will determine validity of the usage. If a calling card is automatically disabled and the usage is determined valid, the calling card will be reactivated in LIDB.

The Telephone Company will administer its LIDB to insure the provision of acceptable service levels to all customers. During periods of LIDB congestion, an automatic call gapping procedure will be utilized to control such congestion. The automatic call gapping procedure signals the switch and identifies the gap (how long the switch should wait before sending another query) and the duration (how long the switch should continue to perform gapping) according to the level of congestion. For example, during an overload condition, the automatic call gapping procedure will signal the switch when to begin to drop one out of three of the queries received. This call gapping procedure will be applied uniformly to all users of the Telephone Company's LIDB service.

The Telephone Company maintains the right to invoke manual intervention of the automatic call gapping procedure to preserve the integrity of the network.

ISSUE DATE:
February 28, 2011

Issued Under Transmittal No. 1
Vice President-Regulatory Operations
100 CenturyLink Drive
Monroe, Louisiana 71203

EFFECTIVE DATE:
March 1, 2011

ACCESS SERVICE

15. Common Channel Signaling/Signaling System 7 (CCS/SS7) Data Base Services (Cont'd)15.1 Line Information Data Base (LIDB) Access Service (Cont'd)15.1.3 Undertakings of the Telephone Company (Cont'd)(B) Provision of Billing Information

LIDB Access Service Queries received at the SCP are accumulated and records are generated identifying the number of queries processed by the originating point code (OPC) of the customer's Operator Service System (OSS) location. This information is delivered to the accounting office via tape or by teleprocessing for processing and billing. The query charges will be accumulated and billed to the LIDB Access Service customer each month.

The Telephone Company will provide sufficient information with the bill to enable the customer to determine how the billed amount was calculated. Included on the bill will be separate entries displaying the Billed Number Screening queries and the Calling Card Number queries.

Other reports may be provided as mutually agreed upon. Such agreements, provided on an individual case basis, may involve additional charges or conditions.

ISSUE DATE:
February 28, 2011

Issued Under Transmittal No. 1
Vice President-Regulatory Operations
100 CenturyLink Drive
Monroe, Louisiana 71203

EFFECTIVE DATE:
March 1, 2011

ACCESS SERVICE

15. Common Channel Signaling/Signaling System 7 (CCS/SS7) Data Base Services (Cont'd)15.1 Line Information Data Base (LIDB) Access Service (Cont'd)15.1.4 Obligations of the Customer

In addition to the obligations of the customer set forth in Section 2. preceding, the customer has certain specific obligations pertaining to the use of LIDB Access Service. These obligations are as follows:

(A) LIDB Access Service PIU Report

The customer shall provide to the Telephone Company a LIDB Access Service Percent Interstate Usage (PIU) Report in accordance with the provisions specified in Section 2.3.11 preceding.

15.1.5 Rate Regulations

This section contains the specific regulations governing the rates and charges that apply for LIDB Access Service.

(A) Description of Rates and Charges

There are two types of rates and charges that will apply to LIDB Access Service. These are usage rates and nonrecurring charges. These rates and charges are applied as set forth in (1) and (2) following. For billing purposes, each month is considered to have 30 days.

ISSUE DATE:
February 28, 2011

Issued Under Transmittal No. 1
Vice President-Regulatory Operations
100 CenturyLink Drive
Monroe, Louisiana 71203

EFFECTIVE DATE:
March 1, 2011

ACCESS SERVICE

15. Common Channel Signaling/Signaling System 7 (CCS/SS7) Data Base Services (Cont'd)15.1 Line Information Data Base (LIDB) Access Service (Cont'd)15.1.5 Rate Regulations (Cont'd)(A) Description of Rates and Charges (Cont'd)(1) Usage Rates

The usage rates (Query Transport and Query) for LIDB Access Service are applicable on a per query basis as described in (B) following.

(2) Nonrecurring Charges

Nonrecurring charges are one-time charges that apply for a specific activity (i.e., installation or change to an existing service). The nonrecurring charges that apply for installation of LIDB Access Service are described in (a) following. The nonrecurring charges that apply for service rearrangements are described in (b) following.

(a) Establishment of Service

Nonrecurring charges apply for each request for establishment of LIDB Access Service. The nonrecurring charges for the establishment of LIDB Access Service are set forth in Section 5.2.2 preceding.

ISSUE DATE:
February 28, 2011

Issued Under Transmittal No. 1
Vice President-Regulatory Operations
100 CenturyLink Drive
Monroe, Louisiana 71203

EFFECTIVE DATE:
March 1, 2011

ACCESS SERVICE

15. Common Channel Signaling/Signaling System 7 (CCS/SS7) Data Base Services (Cont'd)15.1 Line Information Data Base (LIDB) Access Service (Cont'd)15.1.5 Rate Regulations (Cont'd)(A) Description of Rates and Charges (Cont'd)(2) Nonrecurring Charges (Cont'd)(b) Service Rearrangements

Service Rearrangements are changes to existing services which do not result in either a change in the minimum period requirements as set forth in Section 5.2.6 preceding or a change in the location designated by the OPC.

Changes which result in the establishment of new minimum period obligations are treated as a discontinuance of the existing service and establishment of a new service and all applicable nonrecurring charges will apply.

Certain service rearrangements which are administrative in nature (as specified in Section 6.7.1(C)(3)) will be made without charge except as noted.

Provisions for service rearrangements for which nonrecurring charges will apply are also set forth in Section 6.7.1(C)(3) preceding.

ISSUE DATE:
February 28, 2011

Issued Under Transmittal No. 1
Vice President-Regulatory Operations
100 CenturyLink Drive
Monroe, Louisiana 71203

EFFECTIVE DATE:
March 1, 2011

ACCESS SERVICE

15. Common Channel Signaling/Signaling System 7 (CCS/SS7) Data Base Services (Cont'd)

15.1 Line Information Data Base (LIDB) Access Service (Cont'd)

15.1.5 Rate Regulations (Cont'd)

(B) Application of Rates and Charges

Rates and charges for LIDB Access Service are applied as follows:

(1) Query Transport

Query Transport is a usage rate charge which applies to each query routed over transmission facilities between the Telephone Company's **STPs and** the Telephone Company (D) SCP where the LIDB resides. These charges are applied on a per query basis, and are accumulated over a monthly period and billed to the customer on a monthly basis.

(2) Query

A usage rated Query Charge applies to each LIDB query received at the Telephone Company Service Control Point (SCP). Per query charges are accumulated over a monthly period and are billed to the customer on a monthly basis.

**Material deleted from this page now appears in Brightspeed Local Operating Companies (N)
Tariff F.C.C. NO. 9. (N)**

ISSUE DATE:
September 19, 2022

Issued Under Transmittal No. 125
Vice President-Regulatory Operations
100 CenturyLink Drive
Monroe, Louisiana 71203

EFFECTIVE DATE:
October 4, 2022

ACCESS SERVICE

15. Common Channel Signaling/Signaling System 7 (CCS/SS7) Data Base Services (Cont'd)15.1 Line Information Data Base (LIDB) Access Service (Cont'd)15.1.5 Rate Regulations (Cont'd)(C) Minimum Periods

LIDB Access Service is provided for a minimum of one month. When service is disconnected prior to the expiration of the minimum period, usage charges are applicable for the balance of the minimum period. If service is disconnected after the minimum period, usage charges will be based on the actual number of queries. For the purpose of administering this regulation, with respect to the determination of charges for a fractional part of a month, every month is considered to have 30 days.

ISSUE DATE:
February 28, 2011

Issued Under Transmittal No. 1
Vice President-Regulatory Operations
100 CenturyLink Drive
Monroe, Louisiana 71203

EFFECTIVE DATE:
March 1, 2011

ACCESS SERVICE

15. Common Channel Signaling/Signaling System 7 (CCS/SS7) Data Base Services (Cont'd)

15.1 Line Information Data Base (LIDB) Access Service (Cont'd)

15.1.6 Rates and Charges

(A) Query Transport
 - per query

	<u>Rate</u>
Florida	\$0.0016
Minnesota	\$0.0016
Nebraska	\$0.0016
Nevada	\$0.0016
Oregon	\$0.0016
Washington	\$0.0016
Wyoming	\$0.0016

(D)
 (D)
 (D)
 (D)
 (D)
 (D)
 (D)

Material deleted from this page now appears in Brightspeed Local Operating Companies Tariff F.C.C. NO. 9.

(D)
 (N)
 (N)

ISSUE DATE:
 September 19, 2022

Issued Under Transmittal No. 125
 Vice President-Regulatory Operations
 100 CenturyLink Drive
 Monroe, Louisiana 71203

EFFECTIVE DATE:
 October 4, 2022

ACCESS SERVICE

15. Common Channel Signaling/Signaling System 7 (CCS/SS7) Data Base Services (Cont'd)

15.1 Line Information Data Base (LIDB) Access Service (Cont'd)

15.1.6 Rates and Charges

(B) Query
 - per query

	<u>Rate</u>	
Florida	\$0.0366	
Minnesota	\$0.0366	(D)
Nebraska	\$0.0366	(D)
Nevada	\$0.0366	(D)
Oregon	\$0.0366	(D)
Washington	\$0.0366	(D)
Wyoming	\$0.0366	(D)

Material deleted from this page now appears in Brightspeed Local Operating Companies Tariff F.C.C. NO. 9.

(D)
 (N)
 (N)

ISSUE DATE:
 September 19, 2022

Issued Under Transmittal No. 125
 Vice President-Regulatory Operations
 100 CenturyLink Drive
 Monroe, Louisiana 71203

EFFECTIVE DATE:
 October 4, 2022

ACCESS SERVICE

16. Operator Services [1] (C)16.1 Operator Services Description

Operator Services includes the service category of Operator Transfer. Operator Transfer service is provided from OSS Tandems to the customer's premises in conjunction with the rules and regulations of the specified Access Services found in Sections 2, 3, 5, and 6 preceding. Operator Services are available at all Telephone Company end offices, however may be unavailable in certain LATAs due to existing trunking arrangements. In locations where the provider of operator services is not the Telephone Company, availability of operator services is at the discretion of the operator services provider. If operator services are available, the Telephone Company rates are applicable and billed by the Telephone Company. In locations where the Telephone Company is the provider of operator services for other telephone companies, availability of operator services is contingent on the availability of operator services tariffs of that telephone company. The OSS Tandem locations are provided in National Exchange Carrier Association, Inc. Tariff F.C.C. No. 4. (D)
(D)(C)

16.1.1 Operator Transfer Service (OTS)

Operator Transfer is an originating service that provides call routing of 0- (the digit "0" with no additional digits) calls to a participating customer as requested by the calling end user. An Operator Transfer call is routed to the Telephone Company's OSS operator for completion to a destination outside the originating LATA when the calling party dials "0" and waits for an operator to assist with the call. The Telephone Company operator will, upon request, transfer the call to the calling end user's participating customer (i.e., the Telephone Company's Operator Transfer Service customer) of choice. If the calling end user has no specific customer preference, the OSS operator will consult reference information and offer to the calling party the name of a participating customer. The reference information is arranged to give all participating customers an equal opportunity of being offered to and chosen by the calling end user. After a selection is made by the calling end user, the operator will then key in the selected customer's Carrier Identification Code (CIC) and transfer the call.

[1] Effective October 1, 2016, Busy Line Verification and Busy Line Interrupt are discontinued under authority granted in WC Docket No. 16-147. (N)
(N)

ISSUE DATE:
September 16, 2016

Issued Under Transmittal No. 86
Vice President-Regulatory Operations
100 CenturyLink Drive
Monroe, Louisiana 71203

EFFECTIVE DATE:
October 1, 2016

ACCESS SERVICE

16. Operator Services (Cont'd)

16.1 Operator Services Description (Cont'd)

(D)

16.2 Manner of Provisioning

- (A) Operator Services trunking between the customer's premises and the OSS Tandem is provisioned as either Switched Access Feature Group B, Feature Group C, or Feature Group D service and may be arranged, per the customer's request, as either 1-way or 2-way service. These trunk groups are established as final trunks and will be assigned data registers to obtain usage, peg count, and overflow attempt information. If a trunk(s) does not currently exist between the customer's premises and the OSS Tandem(s), the customer must establish Feature Group B or Feature Group D service to the Telephone Company's OSS Tandem(s). The Telephone Company will provide trunk side switching along with trunk answer and disconnect supervisory signaling to the customer.

(D)

ISSUE DATE:
September 16, 2016

Issued Under Transmittal No. 86
Vice President-Regulatory Operations
100 CenturyLink Drive
Monroe, Louisiana 71203

EFFECTIVE DATE:
October 1, 2016

ACCESS SERVICE

16. Operator Services (Cont'd)16.2 Manner of Provisioning (Cont'd)

- (B) When the OSS Tandem also functions as the Message Toll Service (MTS) Access Tandem, the customer may combine Operator Services traffic with its MTS Switched Access traffic between the OSS Tandem and the customer's premises provided the trunk group has the same signaling and routing requirements as specified for Operator Transfer. However, Operator Services traffic may not be combined with MTS Switched Access traffic if the customer provides operator functionality or coin station control. (C)

16.2.1 Operator Transfer

- (A) The customer must order sufficient capacity between the OSS Tandem(s) and the customer's premises to serve Operator Transfer traffic originating from those end offices. The Telephone Company OSS Tandems send 10-digit ANI (NPA + 7-digit telephone number) for Feature Group D trunk groups with Equal Access signaling or Operator Services Address signaling and Feature Group C trunk groups with Traditional signaling. However, the Telephone Company OSS Tandems send 7-digit ANI for Feature Group C trunk groups with Operator Services signaling. Therefore, if the customer requires Operator Transfer calls separately identified by the originating NPA for the Feature Group C trunk group with Operator Services signaling, the customer must utilize a separate and final trunk group, from the OSS Tandem to their customer's premises, for each NPA served by that OSS Tandem.
- (B) In order for the customer to provide full operator functionality (e.g., Operator Recall, Sequence Dialing, Time and Charge Quotation, and Emergency Ring-back) or coin control, the customer must order Operator Trunk - Pay Telephone for Feature Group C service or Operator Trunk - Full Feature for Feature

ISSUE DATE:
September 16, 2016

Issued Under Transmittal No. 86
Vice President-Regulatory Operations
100 CenturyLink Drive
Monroe, Louisiana 71203

EFFECTIVE DATE:
October 1, 2016

ACCESS SERVICE

16. Operator Services (Cont'd)

16.2 Manner of Provisioning (Cont'd)

16.2.1 Operator Transfer (Cont'd)

(B) (Cont'd)

Group D service. Full operator functionality is not required to provide operator transfer service. When coin control is provided, the customer must establish a separate and final trunk group for each type of end office operator/coin signaling (i.e., inband, expanded inband, and multiwink) existing in the end offices served by the OSS Tandem. Operator Transfer is not available for coin sent-paid traffic.

16.2.2 Signaling

(A) For Operator Transfer, the Telephone Company will provide Traditional signaling for Feature Group B or Feature Group C service or Equal Access signaling for Feature Group D service. Customers providing operator functionality for operator traffic or coin control for pay telephone traffic will be provided with Operator Services signaling for Feature Group C or Operator Services Address signaling for Feature Group D service.

(D)
|
(D)

16.2.3 Design Layout Report

Upon request, the Telephone Company will provide, to the customer, the make-up of facilities and services provided from the customer's premises to the OSS Tandem. This information will be provided in the form of a Design Layout Report. The Design Layout Report will be provided at no charge and will be reissued or updated whenever the facilities provided for the customer's use are materially changed.

ISSUE DATE:
September 16, 2016

Issued Under Transmittal No. 86
Vice President-Regulatory Operations
100 CenturyLink Drive
Monroe, Louisiana 71203

EFFECTIVE DATE:
October 1, 2016

ACCESS SERVICE

16. Operator Services (Cont'd)16.2 Manner of Provisioning (Cont'd)16.2.4 Design Blocking

Trunks between the customer's premises and the OSS Tandems will follow the normal Feature Group B, C, or D blocking criteria as set forth in 6.5.6 preceding. The Telephone Company will perform routine measurement functions to inform the customer that an adequate number of transmission paths are in service to meet the normal Feature Group B, C, or D design blocking levels. However, capacity levels and trunk quantities will be the responsibility of the customer.

16.2.5 Testing

Acceptance testing for Operator Services will be provided as set forth in 6.1.5 preceding. Testing Capabilities for Feature Group B, Feature Group C, and Feature Group D services utilized in conjunction with Operator Services will be provided as set forth in 6.2.2(D), 6.2.3(D) and 6.2.4(D) preceding.

16.2.6 Interface Groups and Transmission Parameters

Operator Services will utilize the same interface groups and transmission specifications as specified in 6.2.2(C), 6.2.3(C) and 6.2.4(C) preceding.

16.2.7 Ordering and Billing Options and Conditions

- (A) Operator Transfer Service is ordered under the access order provisions as set forth in Section 5 preceding. The Access Order Charge applicable for Switched Access will apply per Access Order - one per state - for the installation, addition, change, or rearrangement of Operator Transfer Service. In addition, other Access Order Charges (i.e., Service Date Change Charges, etc.) may apply. No access order is required to receive Operator Inward Assistance services.
- (B) Billing for all Operator Services will occur on a monthly basis as other billing is performed, but will be rendered on a statement detailing the flat-rated charges for the entire state applicable to that customer for the specified monthly period.

ISSUE DATE:
February 28, 2011

Issued Under Transmittal No. 1
Vice President-Regulatory Operations
100 CenturyLink Drive
Monroe, Louisiana 71203

EFFECTIVE DATE:
March 1, 2011

ACCESS SERVICE

16. Operator Services (Cont'd)16.3 Liability of the Telephone Company

In addition to the liability statements as set forth in Section 2 preceding, the following also applies.

- (A) The Telephone Company's liability, if any, for its gross negligence or willful misconduct is not limited by this Tariff. With respect to any other claim or suit, by a customer or any others, for damages arising out of negligent mistakes, omissions, interruptions, delays or errors, defects in transmission, omission from or defects in the applicable list of customers or transfers to customers occurring in the course of furnishing service hereunder, the Telephone Company's liability, if any, shall not exceed an amount equivalent to the proportionate charge to the customer for the period of time during which such mistake, omission, interruptions, delays, errors, defects in transmission or service, omissions from or defects in the applicable list of customers or transfers to customers continues. However, any such mistakes, omissions, interruptions, delays, errors, or defects in transmission or service, omissions from or defects in the applicable list of customers or transfers to customers which are caused by or contributed to by the negligent omission or willful act of the customer provided facilities or equipment shall not result in the imposition of any liability whatsoever upon the Telephone Company. The Telephone Company expressly disclaims any express or implied warranty for the aforesaid service or offering including no warranty of merchantability or warranty of fitness for any particular purpose. It is expressly acknowledged by all subscribers to the aforesaid service that errors, mistakes and omissions can and will occur and that the Telephone Company neither warrants nor guarantees faultless or perfect service or transmission.

ISSUE DATE:
February 28, 2011

Issued Under Transmittal No. 1
Vice President-Regulatory Operations
100 CenturyLink Drive
Monroe, Louisiana 71203

EFFECTIVE DATE:
March 1, 2011

ACCESS SERVICE

16. Operator Services (Cont'd)16.3 Liability of the Telephone Company (Cont'd)

- (B) The customer indemnifies and saves the Telephone Company harmless against claims for libel, slander, or infringement of copyright and trademark arising from the information transmitted over facilities furnished hereunder and against all other claims arising out of any act or omission of the customer in connection with facilities provided by the Telephone Company.
- (C) The customer indemnifies and saves the Telephone Company harmless against claims or suits for damages arising where the connection between the calling end user and a local emergency agency is in some way faulty or impaired, due in whole or in part to the negligent mistake or delay of the Telephone Company. Examples of this may include, but are not limited to, instances in which the Telephone Company, through negligent mistake or delay, may provide an incorrect local emergency agency number, delay in locating a local emergency agency number, or disconnect an in-progress call between a calling end user and a local emergency agency.

16.4 Obligations of the Customer

In addition to the general regulations as set forth in Section 2 preceding, the following also applies.

- (A) The customer shall provide the necessary on-hook, off-hook, answer supervision, and disconnect supervision at the customer's premises.
- (B) Jurisdictional reporting will apply as required in Section 2.3.11 for determining the Percent Interstate Usage (PIU).

ISSUE DATE:
February 28, 2011

Issued Under Transmittal No. 1
Vice President-Regulatory Operations
100 CenturyLink Drive
Monroe, Louisiana 71203

EFFECTIVE DATE:
March 1, 2011

ACCESS SERVICE

16. Operator Services (Cont'd)

16.5 Rate Regulations

16.5.1 Description and Application of Rates and Charges

(A) Operator Transfer Service

The Operator Transfer charge is a flat-rated charge applicable per call transferred to the subscribing customer.

In addition to the Operator Transfer charge, Switched Access rates apply as set forth in 6.8 preceding and Carrier Common Line (CCL) charges as set forth in 3.8 and 3.9 preceding apply for usage originating from all end offices served by the OSS Tandem.

Nonrecurring Switched Access charges are applicable as specified in 6.7 and 6.8 preceding.

(D)

(D)

ISSUE DATE:
September 16, 2016

Issued Under Transmittal No. 86
Vice President-Regulatory Operations
100 CenturyLink Drive
Monroe, Louisiana 71203

EFFECTIVE DATE:
October 1, 2016

ACCESS SERVICE

16. Operator Services (Cont'd)

16.5 Rates Regulations (Cont'd)

16.5.2 Rates and Charges

Operator Transfer *

	<u>Per Call Transferred</u>	
Florida	\$0.30	
Minnesota	\$0.30	(D)
Nebraska	\$0.30	(D)
Nevada	\$0.30	(D)
Oregon	\$1.50	(D)
		(D)
Washington	\$1.50	(D)
Wyoming	\$0.30	(D)

* In addition, Switched Access charges are applicable as detailed in 16.5.1, preceding.

Material deleted from this page now appears in Brightspeed Local Operating Companies Tariff F.C.C. NO. 9. (D)

(N)
(N)

ISSUE DATE:
September 19, 2022

Issued Under Transmittal No. 125
 Vice President-Regulatory Operations
 100 CenturyLink Drive
 Monroe, Louisiana 71203

EFFECTIVE DATE:
October 4, 2022

ACCESS SERVICE

17. Expanded Interconnection Services

For Special Access Services only, Non-Competitive End-User Channel Terminations (EUCTs) are filed as part of this tariff. Expanded Interconnection Services for other Special Access Services to complete the circuit are outside this tariff and can be accessed at the Company's website or Company's other designated location. (N)

The Company will provide expanded interconnection services in conjunction with the Switched Access and Special Access Services provided in Sections 6 and 7 preceding. (N)

17.1 Basic Service Description

(A) Physical Collocation**

Physical collocation provides an Interconnector with collocation space (cageless or enclosure secured) and associated requirements such as power and environmental conditioning within a Company premises* to locate certain fiber optic, microwave or other wireless facilities and equipment, and a connection to certain Company provided services. (C)

(B) Virtual Collocation

Virtual collocation provides a connection between Interconnector provided and Company provided fiber optic, microwave or other wireless transport facilities at a manhole or other Company designated interconnection point outside the Company premises to allow interconnection with certain Telephone Company provided services. (C)

(C) Rate Categories

Expanded Interconnection Services consist of the rate categories described generally below. Specific regulations governing the provision of these rate elements are set forth following in Sections 17.5 and 17.6 for physical and virtual collocation, respectively. (C)

* For the purposes of this section, the term " Company premises" includes Company central offices, serving wire centers and access tandems, as well as all buildings or similar structures owned or leased by the Company that house Company network facilities. (C)

** Effective October 4, 2008, Physical Collocation will no longer be available to new customers requesting new arrangements at new locations. Physical Collocation is limited to existing customers purchasing Physical Collocation service as of October 4, 2008 at offices where they currently exist. Orders for new arrangements received prior to October 4, 2008 will be processed. Customers with existing arrangements may continue to augment (add to; or make changes to; or partial disconnection of) their existing arrangements in offices where they currently exist under the rates, terms and conditions of this tariff. (C)

ISSUE DATE:
 October 17, 2017

Issued Under Transmittal No. 96
 Vice President-Regulatory Operations
 100 CenturyLink Drive
 Monroe, Louisiana 71203

EFFECTIVE DATE:
 November 1, 2017

ACCESS SERVICE

17. Expanded Interconnection Services (Cont'd)17.1 Basic Service Description (Cont'd)(C) Rate Categories (Cont'd)(1) Application Fee

The application fee is a nonrecurring charge that recovers the cost of processing the application for expanded interconnection and provides for the preliminary work needed to determine if Telephone Company premises space and facilities are available to meet the Interconnector's collocation request. The application fee will be assessed once for each application submitted per telephone company premises, and is not dependent upon the amount of collocation space requested.

(2) Floor Space

The floor space rate element is assessed on a per square foot per month basis and provides for the use of Telephone Company premises equipment areas occupied by the Interconnector. Floor space includes associated environmental support systems such as AC power (one 15 amp outlet), lighting, heating and air conditioning. The 15 amp AC power outlet is intended for occasional use to provide power to test equipment, hand tools and other devices on a temporary basis and shall not be used by the customer as a permanent power supply for equipment used to provide end user services.

(3) Roof Space

The roof space rate element is assessed on a per square foot per month basis and provides for the use of space on the exterior of the Telephone Company premises where the Interconnector has installed microwave or other wireless antenna facilities.

(4) Transmitter/Receiver Space

The transmitter/receiver space rate element is assessed on a per square foot per month basis and provides for the Interconnector's use of Telephone Company premises equipment areas for the placement of microwave or other wireless transmitter/receiver equipment. Transmitter/receiver space includes associated environmental support systems such as AC power (one 15 amp outlet), lighting, heating and air conditioning.

ISSUE DATE:
February 28, 2011

Issued Under Transmittal No. 1
Vice President-Regulatory Operations
100 CenturyLink Drive
Monroe, Louisiana 71203

EFFECTIVE DATE:
March 1, 2011

ACCESS SERVICE

17. Expanded Interconnection Services (Cont'd)17.1 Basic Service Description (Cont'd)(C) Rate Categories (Cont'd)(5) DC Power

The DC power rate element consists of both a recurring monthly rate and a nonrecurring charge. The nonrecurring charge recovers the cost of delivering Telephone Company DC power to the Interconnector's collocation space and is assessed per foot of power lead provided to the collocation space occupied by the Interconnector. A separate power lead is required for each 7 foot equipment bay located in the Interconnector's collocation space. The recurring monthly rate recovers the cost of providing 48 volt DC power to the Interconnector's collocation space, and is assessed per fuse amperage ordered.

(6) Collocation Space

Collocation space is available in single-bay increments (i.e. an Interconnector may purchase space in increments small enough to collocate a single rack, or bay, of equipment) and will be charged for at the per square foot floor space monthly rate.

(7) Security Enclosure

The security enclosure rate element consists of both a fixed and per linear foot nonrecurring charge. Security enclosures are available at the Interconnector's option, and the associated nonrecurring charges recover the cost of constructing a lockable, eight foot high, wire mesh security fence surrounding the perimeter of the Interconnector's collocation space.

ISSUE DATE:
February 28, 2011

Issued Under Transmittal No. 1
Vice President-Regulatory Operations
100 CenturyLink Drive
Monroe, Louisiana 71203

EFFECTIVE DATE:
March 1, 2011

ACCESS SERVICE

17. Expanded Interconnection Services (Cont'd)17.1 Basic Service Description (Cont'd)(C) Rate Categories (Cont'd)(8) Conduit Space - Per Foot

The conduit space - per foot rate element is assessed on a per linear foot per month basis and provides for the Interconnector's use of conduit duct space from the designated interconnection point to the Interconnector's collocation space.

(9) Conduit Space - Vault

The conduit space - vault rate element is assessed on a per foot of a 9-conduit vault per month basis and provides for the Interconnector's use of the Telephone Company's cable vault and supporting structures.

(10) Cross Connect

The cross-connect rate element is assessed on a per connection per month basis and recovers the cost of connecting the Interconnector's terminating equipment to services provided by the Telephone Company. Cross-connections are available at DS0, DS1, DS3, OC-n and Ethernet levels. Optical cross-connections are available in 4-fiber configurations.

(11) Riser Space

The riser space rate element is assessed on a per foot per month basis and provides a cable path between the cable vault and the Interconnector's collocation space.

ISSUE DATE:
February 28, 2011

Issued Under Transmittal No. 1
Vice President-Regulatory Operations
100 CenturyLink Drive
Monroe, Louisiana 71203

EFFECTIVE DATE:
March 1, 2011

ACCESS SERVICE

17. Expanded Interconnection Services (Cont'd)17.1 Basic Service Description (Cont'd)(C) Rate Categories (Cont'd)(12) Diverse Riser Space

The diverse riser space rate element is assessed on a per foot per month basis and provides a second cable path between the cable vault and the Interconnector's collocation space.

(13) Internal Cabling

The internal cabling rate element is assessed on a per linear foot of 4-fiber cable per month basis and recovers the cost of cabling, both 4-fiber and coaxial as necessary, from the point of interconnection outside the Telephone Company premises (when that point of interconnection is a manhole near the Telephone Company premises) to the Interconnector's terminating equipment in the Telephone Company premises.

(14) Internal Conduit

The internal conduit rate element is assessed on a per linear foot per month basis and recovers the cost of 12-fiber conduit and riser from the point of interconnection outside the Telephone Company premises (when that point of interconnection is a manhole near the Telephone Company premises) to the Interconnector's terminating equipment in the Telephone Company premises.

ISSUE DATE:
February 28, 2011

Issued Under Transmittal No. 1
Vice President-Regulatory Operations
100 CenturyLink Drive
Monroe, Louisiana 71203

EFFECTIVE DATE:
March 1, 2011

ACCESS SERVICE

17. Expanded Interconnection Services (Cont'd)17.1 Basic Service Description (Cont'd)(C) Rate Categories (Cont'd)(15) External Cabling and Conduit

The external cabling and conduit rate element is assessed on a per 1/4 mile per 4-fiber cable per month basis and recovers the cost of 4-fiber cabling and conduit as necessary from the point of interconnection outside the Telephone Company premises (when that point of interconnection is not a manhole near the Telephone Company premises) to a manhole near the Telephone Company premises.

(16) Cable Pull and Splice

The cable pull and splice rate element is assessed based on per half hour additional labor rates and recovers the cost of Telephone Company personnel pulling the Interconnector's fiber optic cable from the interconnection point in a manhole outside the Telephone Company premises to the cable vault, and splicing the Interconnector's cable to the riser cable in the cable vault.

(17) Installation and Maintenance

The installation and maintenance rate element is assessed based on per half hour additional labor rates and recovers the cost of installing and/or maintaining Interconnector provided outside plant (e.g., entrance cable, riser cable, and conduit).

ISSUE DATE:
February 28, 2011

Issued Under Transmittal No. 1
Vice President-Regulatory Operations
100 CenturyLink Drive
Monroe, Louisiana 71203

EFFECTIVE DATE:
March 1, 2011

ACCESS SERVICE

17. Expanded Interconnection Services (Cont'd)

17.1 Basic Service Description (Cont'd)

(C) Rate Categories (Cont'd)

(18) Interconnection Rearrangement

The interconnection rearrangement rate element is a nonrecurring charge assessed when an existing Telephone Company provided high capacity service or multiplexed high capacity service is reconfigured into a high capacity service under an expanded interconnection arrangement or vice versa, or from one expanded interconnection arrangement to another within the same Telephone Company premises.

ISSUE DATE:
February 28, 2011

Issued Under Transmittal No. 1
Vice President-Regulatory Operations
100 CenturyLink Drive
Monroe, Louisiana 71203

EFFECTIVE DATE:
March 1, 2011

ACCESS SERVICE

17. Expanded Interconnection Services (Cont'd)

17.2 Regulations

- (A) The Telephone Company will provide an interconnection to the Switched or Special Access services specified in Sections 6 and 7 preceding. (C)
(D)
(D)
- (B) Expanded Interconnection to switched access services is available only from Telephone Company central offices where suitable technical capability exists.
- (C) The Telephone Company reserves the right, on 30 days written notice by mail or by email if the customer is billed electronically or consents to receiving electronic notification, to terminate the interconnection arrangement in the event the Interconnector violates the terms of this tariff. (C)
(C)
- (D) The Telephone Company reserves the right, with 30 days notification to the Interconnector, to modify technical, administrative, or environmental procedures based on improvements suggested by Expanded Interconnection use. In the event the Interconnector requests reconsideration of the proposed modifications, the Telephone Company will work cooperatively with the Interconnector to determine if alternative modifications could be implemented.
- (E) Facilities and equipment provided by the Interconnector are subject to the terms, conditions, and rates specified in this tariff.
- (F) An Interconnector that fails to pay any of the charges associated with the provision of Expanded Interconnection is subject to the tariff provisions set forth in Section 2.1.8 preceding.
- (G) The Credit Allowance for Service Interruptions as set forth in Section 2.4.4 preceding and the Service Performance Provisioning Guarantee as set forth in Section 2.4.9 preceding also apply to the cross connect elements in Expanded Interconnection.

ACCESS SERVICE

17. Expanded Interconnection Services (Cont'd)17.2 Regulations (Cont'd)

- (H) The provision of Expanded Interconnection as set forth in this tariff does not constitute a joint undertaking of the Telephone Company and the Interconnector for the furnishing of any service.
- (I) When facilities are not available to meet an order for Expanded Interconnection, the Telephone Company will construct additional facilities in accordance with the regulations, liabilities, rates and charges for Special Construction as set forth in Section 14 preceding.
- (J) The provision of Expanded Interconnection and its restoration following a service interruption shall comply with the provisions of the Telecommunications Service Priority System (TSP) set forth in Section 13.3.6 preceding. In order to meet the emergency requirements of the TSP System, the Telephone Company may rearrange Telephone Company conduit, manholes, cable entrances, riser systems, or other Telephone Company facilities occupied by an Interconnector's transport facilities. The Telephone Company will make a reasonable effort to notify the Interconnector of the necessary rearrangements. If an emergency is caused by an act or omission of the Interconnector or by the Interconnector's equipment or facilities, the Interconnector will be charged for such rearrangement on a time and material basis.
- (K) The Telephone Company reserves the right to stop any service when the Telephone Company deems such stoppage necessary by reason of accident or emergency, or for repairs, improvements or as otherwise provided. The Telephone Company will make every reasonable effort to ensure that interruption to the Interconnector's service is avoided. When service interruption is unavoidable, the Telephone Company will provide immediate notification of such stoppage. The Telephone Company does not warrant that any service will be free from interruptions caused by labor controversies, accidents, inability to obtain fuel, water or supplies, governmental regulations, or other causes beyond the reasonable control of the Telephone Company.

ISSUE DATE:
February 28, 2011

Issued Under Transmittal No. 1
Vice President-Regulatory Operations
100 CenturyLink Drive
Monroe, Louisiana 71203

EFFECTIVE DATE:
March 1, 2011

ACCESS SERVICE

17. Expanded Interconnection Services (Cont'd)17.2 Regulations (Cont'd)

- (L) When an existing Telephone Company provided high capacity service or an existing multiplexed high capacity service is reconfigured into a high capacity service under an Expanded Interconnection arrangement or vice versa, or from one Telephone Company provided Expanded Interconnection arrangement to another within the same Telephone Company premises, an Interconnection Rearrangement Charge as set forth in 17.7(A)(15) and (B)(11) following will apply for each service reconfigured.
- (M) When two or more Interconnectors elect to share collocation space within a Telephone Company premises, the applicable charges will be prorated between the Interconnectors.
- (N) When an Interconnector elects to convert an existing virtual collocation arrangement to a physical collocation arrangement, a charge equal to the difference between virtual and physical collocation application fees will be assessed for each such conversion. The Interconnector shall also be responsible for any costs incurred by the Telephone Company during the conversion which exceed those normally incurred in the provision of physical collocation space for Expanded Interconnection.

ISSUE DATE:
February 28, 2011

Issued Under Transmittal No. 1
Vice President-Regulatory Operations
100 CenturyLink Drive
Monroe, Louisiana 71203

EFFECTIVE DATE:
March 1, 2011

ACCESS SERVICE

17. Expanded Interconnection Services (Cont'd)

17.2 Regulations (Cont'd)

- (O) The Telephone Company shall maintain a publicly available document, accessible via the Internet, indicating all Telephone Company premises in which no collocation space is available. This document will be updated within ten days of the date on which the collocation space in a Telephone Company premises is exhausted.
- (P) The Interconnector may elect to construct its own cross-connect facilities for the interconnection of equipment or facilities in its collocation space with equipment or facilities within another Interconnector's collocation space.
- (Q) The Telephone Company will require Interconnector personnel to undergo the same level of security training, or its equivalent, that is required of the Telephone Company's own employees.

ISSUE DATE:
February 28, 2011

Issued Under Transmittal No. 1
Vice President-Regulatory Operations
100 CenturyLink Drive
Monroe, Louisiana 71203

EFFECTIVE DATE:
March 1, 2011

ACCESS SERVICE

17. Expanded Interconnection Services (Cont'd)17.3 Liability

- (A) The Telephone Company is not responsible for the compatibility of services provided under this tariff when used in conjunction with Interconnector-provided transport facilities, except to the extent that services and facilities provided by the Telephone Company shall comply with industry approved standards.
- (B) The Telephone Company is not required to purchase additional land or buildings, relinquish building space forecasted for Telephone Company use, or undertake the construction of new buildings or expansion of existing buildings in order to satisfy an Interconnector's request for Expanded Interconnection. When undertaking the renovation of existing facilities, or the construction or lease of new facilities, the Telephone Company will take into account Interconnector collocator demand in the same manner in which demand for other services is considered.
- (C) The Telephone Company shall not be responsible for changes in technical criteria or facilities, operations or procedures of the Telephone Company which might render Interconnector-provided facilities obsolete or require modification, alteration, or otherwise affect performance of such equipment or facilities, when such action is consistent with applicable laws, rules, regulations, or industry standards. The Telephone Company will make every reasonable effort to ensure that such changes do not adversely affect Interconnector-provided facilities. When changes affecting Interconnector-provided facilities are unavoidable, the Telephone Company will provide reasonable notification of such modification.

ISSUE DATE:
February 28, 2011

Issued Under Transmittal No. 1
Vice President-Regulatory Operations
100 CenturyLink Drive
Monroe, Louisiana 71203

EFFECTIVE DATE:
March 1, 2011

ACCESS SERVICE

17. Expanded Interconnection Services (Cont'd)17.3 Liability (Cont'd)

- (D) The Telephone Company is not liable for any act or omission of the Interconnector in the furnishing of services to the Interconnector's subscribers or affecting other users of the network or the public.
- (E) The Telephone Company is not liable for any omission or error in the application or other documents provided by the Interconnector relative to a request for Expanded Interconnection, and has no responsibility to verify the accuracy of such information.
- (F) The Interconnector shall indemnify, defend, and hold the Telephone Company harmless against any claim of libel, slander or infringement of patents or copyrights arising from the improper use of equipment or information transmitted over its facilities.
- (G) The Interconnector shall indemnify, defend, and hold the Telephone Company harmless against any and all liability including, but not limited to, damage to property, or death or injury to any person(s), directly or indirectly arising out of or caused, in whole or in part, by the Interconnector's acts or omissions or the acts or omissions of any party or individual acting on the Interconnector's behalf.
- (H) The Interconnector shall provide the Telephone Company with evidence of sufficient insurance to protect the Telephone Company against any claims for damages as described in (D) through (G) preceding.
- (I) The provisions set forth in this section apply in addition to any limits, liability, or indemnification set forth in other sections of this tariff.

ISSUE DATE:
February 28, 2011

Issued Under Transmittal No. 1
Vice President-Regulatory Operations
100 CenturyLink Drive
Monroe, Louisiana 71203

EFFECTIVE DATE:
March 1, 2011

ACCESS SERVICE

17. Expanded Interconnection Services (Cont'd)17.4 Network Compatibility and Standards

- (A) The operating characteristics of customer transport facilities shall not interfere with any Telephone Company services and are subject to the provisions that said facilities do not:
- (1) Endanger the safety of Telephone Company employees, other Expanded Interconnection customers or the public;
 - (2) Damage or require change or alteration of Telephone Company equipment or facilities;
 - (3) Interfere with the proper functioning of Telephone Company equipment or facilities; or
 - (4) Impair the operation of the Telephone Company network or otherwise injure any party in its use of Telephone Company services.

The Telephone Company reserves the right, with or without notice, to disconnect any Interconnector's transport facilities which are in violation of the provisions in this Section.

- (B) The Interconnector is responsible for ensuring continued technical compatibility with the Telephone Company network. When changes in standards occur or differences exist between technical references, the Interconnector shall follow the more stringent standard.
- (C) The Telephone Company may not refuse to permit collocation of equipment on the grounds that it does not meet performance, rather than safety, requirements. In addition, the Telephone Company may not impose safety requirements on Interconnectors that are more stringent than the safety requirements it imposes on its own equipment that is located in its premises. If the Interconnector is denied collocation space for their equipment, citing safety standards, the Telephone Company must provide to the Interconnector, within five business days, a list of all equipment that the Telephone Company locates within the premises in question.

ISSUE DATE:
February 28, 2011

Issued Under Transmittal No. 1
Vice President-Regulatory Operations
100 CenturyLink Drive
Monroe, Louisiana 71203

EFFECTIVE DATE:
March 1, 2011

ACCESS SERVICE

17. Expanded Interconnection Services (Cont'd)17.5 Physical Collocation**

- (A) The Interconnector shall provide to the Telephone Company a written application for the provision of physical collocation of fiber optic, microwave or other wireless facilities. The application shall include complete details of the collocation and interconnection requested, including, but not limited to, specific roof space, floor space, power, and environmental conditioning requirements. Completed applications must be accompanied by the Application Fee set forth in 17.7(A)(1) following, and will be processed by the Telephone Company within 10 business days on a first-come, first-served basis. The Interconnector must begin use of the collocated space within six months of the date of the application, or other time period mutually agreed to by the Interconnector and the Telephone Company, or the space must be relinquished to the Telephone Company. The Telephone Company may extend the beginning of use beyond the six month period upon a demonstration by the Interconnector that circumstances beyond the Interconnector's control prevented the six month deadline from being met.
- (B) If collocation space is unavailable or an Interconnector withdraws its request, the Application Fee, less the costs incurred by the Telephone Company (e.g., engineering record search and administrative activities required to process the application), will be refunded.
- (C) In situations where collocation space and associated requirements are available, physical collocation will be provided by the Telephone Company within 90 days, subject to additional time for asbestos removal or extraordinary construction, as specified below:

** Effective October 4, 2008, Physical Collocation will no longer be available to new customers requesting new arrangements at new locations. Physical Collocation is limited to existing customers purchasing Physical Collocation service as of October 4, 2008 at offices where they currently exist. Orders for new arrangements received prior to October 4, 2008 will be processed. Customers with existing arrangements may continue to augment (add to; or make changes to; or partial disconnection of) their existing arrangements in offices where they currently exist under the rates, terms and conditions of this tariff.

ISSUE DATE:
February 28, 2011

Issued Under Transmittal No. 1
Vice President-Regulatory Operations
100 CenturyLink Drive
Monroe, Louisiana 71203

EFFECTIVE DATE:
March 1, 2011

ACCESS SERVICE

17. Expanded Interconnection Services (Cont'd)17.5 Physical Collocation** (Cont'd)

(C) (Cont'd)

- (1) The Telephone Company shall permit the Interconnector to occupy collocation space by per square foot increments within the Telephone Company premises. Additional collocation space cannot be reserved by the Interconnector for future use. Collocation floor space will be charged for on a per square foot basis, as set forth in 17.7(A)(2) following, and includes primary AC power, backup AC power where available, lighting, heating, air conditioning, and other environmental support, which the Telephone Company will provide in the same manner that it provides such support items for its own equipment in the Telephone Company premises.
- (2) For interconnection of microwave or other wireless facilities, the Telephone Company will permit the Interconnector to install antenna facilities on the exterior of the Telephone Company premises (Roof Space) and make available a path for the Interconnector's waveguide and/or coaxial cable (Riser Space - Per Foot). If an asbestos containing area is opened to facilitate the installation of the Interconnector's facilities, the Interconnector shall pay on a time and material basis for correction of any asbestos related situations. Roof space will be charged for on a per square foot basis as set forth in 17.7(A)(3) following; the rates for Riser Space - Per Foot are specified in 17.7(A)(13) following.

** Effective October 4, 2008, Physical Collocation will no longer be available to new customers requesting new arrangements at new locations. Physical Collocation is limited to existing customers purchasing Physical Collocation service as of October 4, 2008 at offices where they currently exist. Orders for new arrangements received prior to October 4, 2008 will be processed. Customers with existing arrangements may continue to augment (add to; or make changes to; or partial disconnection of) their existing arrangements in offices where they currently exist under the rates, terms and conditions of this tariff.

ISSUE DATE:
February 28, 2011

Issued Under Transmittal No. 1
Vice President-Regulatory Operations
100 CenturyLink Drive
Monroe, Louisiana 71203

EFFECTIVE DATE:
March 1, 2011

ACCESS SERVICE

17. Expanded Interconnection Services (Cont'd)17.5 Physical Collocation** (Cont'd)

(C) (Cont'd)

- (3) The Telephone Company will designate the location in the Telephone Company premises where the Interconnector's transmitter/receiver equipment shall be placed. Transmitter/Receiver Space will be charged for on a per square foot basis as set forth in 17.7(A)(4) following, and includes primary and backup AC power, lighting, heating, air conditioning, and other environmental support which the Telephone Company will provide in the same manner such support items are provided for its own equipment in the Telephone Company premises. In situations where special work must be completed by the Telephone Company to provide emergency power or environmental support to the Interconnector's transmitter/receiver equipment or antenna, the charges will be calculated and billed to the Interconnector on a time and material basis.
- (4) Electricity shall be provided by the Telephone Company in sufficient amount to provide ordinary lighting, heating and air conditioning of the collocation space. In addition, the Telephone Company shall provide one 15 amperage, 120 volt AC power circuit for the Interconnector's use. The 15 amp AC power outlet is intended for occasional use to provide power to test equipment, hand tools and other devices on a temporary basis and shall not be used by the customer as a permanent power supply for equipment used to provide end user services.
- (5) The Telephone Company reserves the right to monitor the Interconnector's use of electricity to determine if the electricity provided is sufficient to support the Interconnector's collocation space. If the Telephone Company determines that the electricity provided to

** Effective October 4, 2008, Physical Collocation will no longer be available to new customers requesting new arrangements at new locations. Physical Collocation is limited to existing customers purchasing Physical Collocation service as of October 4, 2008 at offices where they currently exist. Orders for new arrangements received prior to October 4, 2008 will be processed. Customers with existing arrangements may continue to augment (add to; or make changes to; or partial disconnection of) their existing arrangements in offices where they currently exist under the rates, terms and conditions of this tariff.

ISSUE DATE:
February 28, 2011

Issued Under Transmittal No. 1
Vice President-Regulatory Operations
100 CenturyLink Drive
Monroe, Louisiana 71203

EFFECTIVE DATE:
March 1, 2011

ACCESS SERVICE

17. Expanded Interconnection Services (Cont'd)17.5 Physical Collocation** (Cont'd)

(C) (Cont'd)

(5) (Cont'd)

the Interconnector is insufficient to support the Interconnector's collocation space, the Telephone Company may require the installation of additional electrical circuits to provide the Interconnector with additional electricity. The Interconnector shall reimburse the Telephone Company for any expenses incurred in making such additional electrical circuits available to the Interconnector.

(6) The Telephone Company shall furnish air conditioning and/or other environmental controls for the Interconnector's space in a manner consistent with those provided elsewhere in the building and that responds to the information provided in the Interconnector's application.

(7) The Telephone Company will provide supplementary air conditioning units or other environmental control devices made necessary solely by the Interconnector's equipment or facilities, and the cost thereof shall be paid by the Interconnector to the Telephone Company.

(8) If the Telephone Company determines that it is necessary to upgrade the air conditioning and/or other environmental control devices for the building in general, and such upgrade is made necessary by the presence of the Interconnector in the building generally, the cost of such air conditioning units or other environmental control devices shall be allocated between the Telephone Company and the Interconnectors which benefit from the upgrades. Such allocation will be based on a ratio of the number of square feet occupied by each Interconnector to the total square feet of the Telephone Company premises space being upgraded.

** Effective October 4, 2008, Physical Collocation will no longer be available to new customers requesting new arrangements at new locations. Physical Collocation is limited to existing customers purchasing Physical Collocation service as of October 4, 2008 at offices where they currently exist. Orders for new arrangements received prior to October 4, 2008 will be processed. Customers with existing arrangements may continue to augment (add to; or make changes to; or partial disconnection of) their existing arrangements in offices where they currently exist under the rates, terms and conditions of this tariff.

ISSUE DATE:
February 28, 2011

Issued Under Transmittal No. 1
Vice President-Regulatory Operations
100 CenturyLink Drive
Monroe, Louisiana 71203

EFFECTIVE DATE:
March 1, 2011

ACCESS SERVICE

17. Expanded Interconnection Services (Cont'd)17.5 Physical Collocation** (Cont'd)

(C) (Cont'd)

- (9) With the exception of day-to-day equipment additions or modifications within existing frames, the Interconnector shall not make installations, alterations, or additions in or to the collocation space without submitting plans or specifications to the Telephone Company and securing the prior written consent of the Telephone Company in each instance. Consent shall not be unreasonably withheld or unduly delayed for non structural interior alternations to the collocation space that do not adversely affect the building's appearance, value, structural strength and mechanical integrity. Such work will be done at the sole expense of the Interconnector.
- (10) Expanded interconnection is provided for the sole purpose of connecting an Interconnector's transport facilities to other tariffed services offered by the Telephone Company, including unbundled local exchange network elements offered to Interconnectors certified as a competitive local exchange service provider. Connection may only be made with the provision of Expanded Interconnection and only through the interconnection point designated by the Telephone Company. The Telephone Company will provide at least two separate points of interconnection to the central office where there are two entry points for the Telephone Company's cable facilities, except for situations where one entry of a two entry office is filled to capacity. In situations where two entry points are not immediately available, the Telephone Company shall perform the work necessary to make separate points of entry available to the Interconnector at the same time it makes such points of entry available for itself. Normal conduit space charges as set forth in 17.7(A)(7) and (8) will apply per entry point.

** Effective October 4, 2008, Physical Collocation will no longer be available to new customers requesting new arrangements at new locations. Physical Collocation is limited to existing customers purchasing Physical Collocation service as of October 4, 2008 at offices where they currently exist. Orders for new arrangements received prior to October 4, 2008 will be processed. Customers with existing arrangements may continue to augment (add to; or make changes to; or partial disconnection of) their existing arrangements in offices where they currently exist under the rates, terms and conditions of this tariff.

ISSUE DATE:
February 28, 2011

Issued Under Transmittal No. 1
Vice President-Regulatory Operations
100 CenturyLink Drive
Monroe, Louisiana 71203

EFFECTIVE DATE:
March 1, 2011

ACCESS SERVICE

17. Expanded Interconnection Services (Cont'd)17.5 Physical Collocation** (Cont'd)

(C) (Cont'd)

- (11) The Telephone Company will also provide primary and backup DC power, at the rates set forth in 17.7(A)(5) following, to the Interconnector's equipment in the same manner that it provides such power to its own equipment within the Telephone Company premises.
- (12) At the option of the Interconnector, the Telephone Company shall arrange for the construction of, or allow a mutually agreed upon contractor selected by the Interconnector to construct, a secure enclosure around the collocated floor space. The enclosure shall consist of a lockable, eight foot high, wire mesh security fence surrounding the perimeter of the Interconnector's collocation space and shall conform to the standards for health, safety and security to which the Telephone Company presently adheres within a Telephone Company premises. The rates for secure enclosures constructed by the Telephone Company are set forth in 17.7(A)(6) following. In situations where the Telephone Company must install environmental support to prepare the space for collocation, the charges will also be calculated and billed to the Interconnector on a time and material basis.
- (13) Except where the Interconnector purchases unbundled local exchange network transmission elements from the Telephone Company, the Interconnector shall bring its fiber optic cable to a manhole or other Telephone Company designated interconnection point and provide sufficient cable length, as mutually determined by the Telephone Company and the Interconnector, to extend the cable into the Telephone Company premises cable entrance(s).
- (14) Except where the Interconnector purchases unbundled local exchange network transmission elements from the Telephone Company, the Interconnector shall provide fire retardant fiber optic riser cable of sufficient length, as jointly determined by the Telephone Company and the Interconnector, to extend from the cable entrance(s) to the designated collocation space.

** Effective October 4, 2008, Physical Collocation will no longer be available to new customers requesting new arrangements at new locations. Physical Collocation is limited to existing customers purchasing Physical Collocation service as of October 4, 2008 at offices where they currently exist. Orders for new arrangements received prior to October 4, 2008 will be processed. Customers with existing arrangements may continue to augment (add to; or make changes to; or partial disconnection of) their existing arrangements in offices where they currently exist under the rates, terms and conditions of this tariff.

ISSUE DATE:
February 28, 2011

Issued Under Transmittal No. 1
Vice President-Regulatory Operations
100 CenturyLink Drive
Monroe, Louisiana 71203

EFFECTIVE DATE:
March 1, 2011

ACCESS SERVICE

17. Expanded Interconnection Services (Cont'd)17.5 Physical Collocation** (Cont'd)

(C) (Cont'd)

- (15) The Interconnector shall extend the fiber optic cable from the manhole, or other designated interconnection point, into the Telephone Company premises cable vault and splice the cable to the Interconnector-provided fire retardant riser cable. The Interconnector shall provide a secure dedicated fire retardant splice enclosure and shall tag all facilities to indicate ownership. The Telephone Company shall extend the riser cable through the Telephone Company premises and deliver it to the Interconnector's collocation space. The Telephone Company shall be responsible for providing conduit space (Conduit Space - Per Foot) and cable vault space with support structures (Conduit space - vault) at the rates set forth in 17.7(A)(7) and (8) following.
- (16) The Interconnector shall bring its microwave or other wireless facilities to an interconnection point designated by the Telephone Company and extend the cable into the Telephone Company premises to the designated collocation space. The Interconnector shall tag all facilities to indicate ownership. The Telephone Company shall be responsible for providing conduit space (Riser Space - Per Foot) at the rates set forth in 17.7(A)(13) following.
- (17) The Telephone Company shall designate a point of connection (Cross-Connect) where its network connects with the Interconnector's transport facilities in the collocation space. The point of connection defines the physical demarcation between the Interconnector's transport facilities and the Telephone Company's network. The Telephone Company will provide a cross-connect at the rates specified in 17.7(A)(9) through (12) following. The Interconnector is responsible for optical to electrical or speed conversions, multiplexing, or any other change required to connect the Interconnector's transport facilities to Telephone Company equipment and facilities at compatible interfaces, levels or speeds.

** Effective October 4, 2008, Physical Collocation will no longer be available to new customers requesting new arrangements at new locations. Physical Collocation is limited to existing customers purchasing Physical Collocation service as of October 4, 2008 at offices where they currently exist. Orders for new arrangements received prior to October 4, 2008 will be processed. Customers with existing arrangements may continue to augment (add to; or make changes to; or partial disconnection of) their existing arrangements in offices where they currently exist under the rates, terms and conditions of this tariff.

ISSUE DATE:
February 28, 2011

Issued Under Transmittal No. 1
Vice President-Regulatory Operations
100 CenturyLink Drive
Monroe, Louisiana 71203

EFFECTIVE DATE:
March 1, 2011

ACCESS SERVICE

17. Expanded Interconnection Services (Cont'd)17.5 Physical Collocation** (Cont'd)

(C) (Cont'd)

- (18) When the Interconnector orders a DS3 or DS1 electrical cross-connect for use with switched access services, the Interconnector must also order appropriate multiplexing. DS3 to DS1 multiplexing provides an arrangement that multiplexes a single DS3 digital circuit at a rate of 44.736 Mbps to 28 DS1 digital circuits. DS1 to DS0 multiplexing provides an arrangement that multiplexes a single DS1 digital circuit at a rate of 1.544 Mbps to 24 DS0 digital circuits. The rates for DS3 to DS1 and DS1 to DS0 multiplexing are set forth in 6.8.2(D) preceding.
- (19) The Telephone Company will permit the Interconnector to locate all equipment necessary for interconnection or access to unbundled network elements within the Interconnector's collocated space in the Telephone Company premises. This may include such equipment as DSLAMs, routers, ATM multiplexers and remote switching modules.

** Effective October 4, 2008, Physical Collocation will no longer be available to new customers requesting new arrangements at new locations. Physical Collocation is limited to existing customers purchasing Physical Collocation service as of October 4, 2008 at offices where they currently exist. Orders for new arrangements received prior to October 4, 2008 will be processed. Customers with existing arrangements may continue to augment (add to; or make changes to; or partial disconnection of) their existing arrangements in offices where they currently exist under the rates, terms and conditions of this tariff.

ISSUE DATE:
February 28, 2011

Issued Under Transmittal No. 1
Vice President-Regulatory Operations
100 CenturyLink Drive
Monroe, Louisiana 71203

EFFECTIVE DATE:
March 1, 2011

ACCESS SERVICE

17. Expanded Interconnection Services (Cont'd)17.5 Physical Collocation** (Cont'd)

- (D) The Telephone Company shall permit the Interconnector's authorized employees, agents and contractors to have access to the Interconnector's cable, associated equipment, and collocation space twenty-four hours a day, seven days a week, provided that the Interconnector's employees, agents, and contractors comply with Telephone Company policies and practices pertaining to work stoppages, fire, safety and security.
- (E) The Telephone Company reserves the right to inspect the Interconnector's completed installation of equipment and facilities, and to make subsequent and periodic inspections of the Interconnector's equipment and facilities occupying collocation space and associated entrance conduit and riser space. If the Interconnector is found to be in noncompliance with the terms and conditions set forth in this section, the Interconnector will be required to modify its installation to ensure compliance. The Telephone Company will notify the Interconnector in advance of such inspections, and the Interconnector shall have the right to be present at the time of inspection.

** Effective October 4, 2008, Physical Collocation will no longer be available to new customers requesting new arrangements at new locations. Physical Collocation is limited to existing customers purchasing Physical Collocation service as of October 4, 2008 at offices where they currently exist. Orders for new arrangements received prior to October 4, 2008 will be processed. Customers with existing arrangements may continue to augment (add to; or make changes to; or partial disconnection of) their existing arrangements in offices where they currently exist under the rates, terms and conditions of this tariff.

ISSUE DATE:
February 28, 2011

Issued Under Transmittal No. 1
Vice President-Regulatory Operations
100 CenturyLink Drive
Monroe, Louisiana 71203

EFFECTIVE DATE:
March 1, 2011

ACCESS SERVICE

17. Expanded Interconnection Services (Cont'd)17.5 Physical Collocation** (Cont'd)

- (F) The Interconnector will provide the Telephone Company with access to the collocation space at all times to allow the Telephone Company to react to emergencies, provide services, and inspect for compliance with fire, safety, and health regulations or standards.
- (G) For all Interconnector work performed or installed in Telephone Company conduit systems, Telephone Company premises outside the collocation space, or other Telephone Company locations used by other parties, the Telephone Company reserves the right to:
 - (1) Prohibit the placement of any and all equipment or facilities other than cable in Telephone Company owned or controlled areas.
 - (2) Designate the location of cable splices.
 - (3) Approve all installations.
 - (4) Require that the Interconnector, at its sole expense, obtain any necessary right-of-way or other permits.
- (H) The Interconnector is subject to recurring and/or nonrecurring rates and charges for the use of Telephone Company owned or controlled space and facilities, and for installation work functions provided by the Telephone Company. The rates and charges associated with physical collocation are set forth in 17.7(A) following. Nonrecurring charges for additional engineering and labor incurred by the Telephone Company will be calculated on a time and material basis as specified in Section 13 preceding.

** Effective October 4, 2008, Physical Collocation will no longer be available to new customers requesting new arrangements at new locations. Physical Collocation is limited to existing customers purchasing Physical Collocation service as of October 4, 2008 at offices where they currently exist. Orders for new arrangements received prior to October 4, 2008 will be processed. Customers with existing arrangements may continue to augment (add to; or make changes to; or partial disconnection of) their existing arrangements in offices where they currently exist under the rates, terms and conditions of this tariff.

ISSUE DATE:
February 28, 2011

Issued Under Transmittal No. 1
Vice President-Regulatory Operations
100 CenturyLink Drive
Monroe, Louisiana 71203

EFFECTIVE DATE:
March 1, 2011

ACCESS SERVICE

17. Expanded Interconnection Services (Cont'd)17.5 Physical Collocation** (Cont'd)

- (I) At the Telephone Company's option, the Telephone Company may provide facilities or equipment including, but not limited to, conduit, riser supports and termination frames, in such a fashion that the facilities or equipment is shared or used in common with other parties. Requests by an Interconnector for dedicated or special arrangements may result in additional charges.
- (J) If mutually agreed to by the Telephone Company and the Interconnector, the Telephone Company will perform Interconnector installation and/or maintenance work functions for an additional fee. The Telephone Company will be responsible for all maintenance and related activities on the Telephone Company side of the space. Telephone Company provided mechanical or fusion splices and other installation functions will be performed using methods consistent with Telephone Company practices. The charges for installation work functions performed by the Telephone Company on behalf of the Interconnector will be calculated on a time and material basis as specified in Section 13 preceding.
- (K) In the event the Telephone Company determines that it is necessary for the Interconnector to move its collocated space within a Telephone Company premises or to another Telephone Company premises, the Interconnector is required to comply. The Telephone Company is responsible for the costs associated with the removal, transport and reinstallation of the Interconnector's equipment within the Telephone Company premises.
- (L) Should the Interconnector request that its collocated space be moved within the Telephone Company premises or to another Telephone Company premises, the Telephone Company will permit the Interconnector to relocate its collocated space, subject to the availability of space and associated requirements. The Interconnector is solely responsible for the costs associated with the preparation of new collocated space at the new location and for the removal, transport and reinstallation of its equipment.

** Effective October 4, 2008, Physical Collocation will no longer be available to new customers requesting new arrangements at new locations. Physical Collocation is limited to existing customers purchasing Physical Collocation service as of October 4, 2008 at offices where they currently exist. Orders for new arrangements received prior to October 4, 2008 will be processed. Customers with existing arrangements may continue to augment (add to; or make changes to; or partial disconnection of) their existing arrangements in offices where they currently exist under the rates, terms and conditions of this tariff.

ISSUE DATE:
February 28, 2011

Issued Under Transmittal No. 1
Vice President-Regulatory Operations
100 CenturyLink Drive
Monroe, Louisiana 71203

EFFECTIVE DATE:
March 1, 2011

ACCESS SERVICE

17. Expanded Interconnection Services (Cont'd)17.5 Physical Collocation** (Cont'd)

- (M) The Telephone Company and the Interconnector are each responsible for notifying the other of significant outages which could impact or degrade either party's network and services, and provide estimated clearing time for restoral. The Telephone Company and the Interconnector are responsible for testing, cooperatively if necessary, to identify and clear a trouble when the trouble has been sectionalized to the portion of the service each provides.
- (N) If trouble detected by or reported to the Telephone Company results in the Telephone Company dispatching its employees to the Interconnector's collocation space, and the trouble is not caused by Telephone Company equipment or facilities, the Interconnector will be so notified and will be liable for the maintenance of service charge as specified in Section 13.1.9 preceding.
- (O) The Interconnector and Telephone Company are each responsible for providing to the other a contact list of technical personnel accessible 24 hours a day, 7 days a week.
- (P) In the event that the Interconnector's use of its microwave or other wireless systems cause broadcast interference, the Telephone Company, at its sole discretion, shall have the right to cause the Interconnector to cease the operation of its system until such broadcast interference can be corrected. The Telephone Company shall incur no liability to the Interconnector or any other person as a result of ordering the Interconnector to cease using its system in accordance with the foregoing.
- (Q) Upon disconnection of service, the Interconnector shall, at its expense, disconnect and remove all Interconnector facilities and equipment from the collocation space and from all other Telephone Company owned or controlled areas in the Telephone Company premises in which the Telephone Company has allowed the Interconnector to place facilities and equipment.

** Effective October 4, 2008, Physical Collocation will no longer be available to new customers requesting new arrangements at new locations. Physical Collocation is limited to existing customers purchasing Physical Collocation service as of October 4, 2008 at offices where they currently exist. Orders for new arrangements received prior to October 4, 2008 will be processed. Customers with existing arrangements may continue to augment (add to; or make changes to; or partial disconnection of) their existing arrangements in offices where they currently exist under the rates, terms and conditions of this tariff.

ISSUE DATE:
February 28, 2011

Issued Under Transmittal No. 1
Vice President-Regulatory Operations
100 CenturyLink Drive
Monroe, Louisiana 71203

EFFECTIVE DATE:
March 1, 2011

ACCESS SERVICE

17. Expanded Interconnection Services (Cont'd)17.6 Virtual Collocation

- (A) The Interconnector shall provide to the Telephone Company a written application for the provision of Virtual Collocation. Completed applications must be accompanied by the Application Fee set forth in 17.7(B)(1) and will be processed by the Telephone Company within 10 business days on a first-come, first-served basis. The Application Fee will be applied on a per end office basis.
- (B) If central office space is unavailable or if an Interconnector withdraws its request, the Application Fee, less the costs incurred by the Telephone Company (e.g., administrative activities required to process the application), will be refunded.
- (C) Virtual Collocation will be provided as specified below:
 - (1) The Interconnector shall bring its fiber optic cable to a manhole or other Telephone Company designated interconnection point. This interconnection point will define the physical demarcation between the Interconnector's transport facilities and the Telephone Company's network.
 - (2) The Interconnector must obtain the electronic and peripheral equipment necessary for terminating its network in the Telephone Company's central office. The Telephone Company will lease such equipment from the Interconnector for \$1 in each central office where the Interconnector subscribes to virtual collocation. Upon termination of the lease, the Interconnector is responsible for the cost of removing the equipment from the Telephone Company's central office.

ISSUE DATE:
February 28, 2011

Issued Under Transmittal No. 1
Vice President-Regulatory Operations
100 CenturyLink Drive
Monroe, Louisiana 71203

EFFECTIVE DATE:
March 1, 2011

ACCESS SERVICE

17. Expanded Interconnection Services (Cont'd)17.6 Virtual Collocation (Cont'd)

(C) (Cont'd)

- (3) The Telephone Company has exclusive control of and responsibility for installation and maintenance of all terminating equipment dedicated to the Interconnector and located in the Telephone Company's central office.
- (4) The Interconnector must pay to train a minimum of three (3) Telephone Company personnel to install and maintain terminating equipment dedicated to the Interconnector which is not a type normally used in the Telephone Company's network, as well as provide sufficient spare parts to allow timely repairs. Installation and/or maintenance performed on equipment dedicated to an Interconnector under a virtual collocation arrangement will be charged to the Interconnector on a time and material basis. The associated labor charges are set forth in Section 13 preceding.
- (5) If the Telephone Company's labor contracts permit the use of third party contractors for the installation and/or maintenance of equipment of the type dedicated to the Interconnector, the Interconnector will be allowed the opportunity to contract with the Telephone Company to perform such installation and/or maintenance.

ISSUE DATE:
February 28, 2011

Issued Under Transmittal No. 1
Vice President-Regulatory Operations
100 CenturyLink Drive
Monroe, Louisiana 71203

EFFECTIVE DATE:
March 1, 2011

ACCESS SERVICE

17. Expanded Interconnection Services (Cont'd)17.6 Virtual Collocation (Cont'd)

(C) (Cont'd)

- (6) The Telephone Company will restrict the amount of installed dedicated equipment based on the level of the current operational requirements of the Interconnector.
- (7) The Telephone Company will designate a point of connection (Cross-Connect) where its network connects with the virtually collocated terminating equipment. The Telephone Company will provide a cross-connect at the rates specified in Sections 17.7(B)(2) through (6) following.
- (8) When the Interconnector orders a DS3 electrical cross-connect for use with switched access services, the Interconnector must also order DS3 to DS1 multiplexing. DS3 to DS1 multiplexing provides an arrangement that multiplexes a single DS3 digital circuit at a rate of 44.736 Mbps to twenty-eight DS1 digital circuits. The rates for DS3 to DS1 multiplexing are specified in Section 6.8.2(D) preceding.

ISSUE DATE:
February 28, 2011

Issued Under Transmittal No. 1
Vice President-Regulatory Operations
100 CenturyLink Drive
Monroe, Louisiana 71203

EFFECTIVE DATE:
March 1, 2011

ACCESS SERVICE

17. Expanded Interconnection Services (Cont'd)

17.6 Virtual Collocation (Cont'd)

(C) (Cont'd)

- (9) Expanded Interconnection is provided for the sole purpose of connecting an Interconnector's transport facilities to services of the Company, including unbundled local exchange network elements. Connection may only be made with the provision of Expanded Interconnection and only at the interconnection point designated by the Company. The Company will provide two separate points of entry to the central office for service to Interconnectors, where there are two entry points for the Company's cable facilities, except where one entry of a two-entry office is filled to capacity. (C)
- (10) If trouble detected by, or reported to, the Company is caused by equipment leased from the Interconnector, the Interconnector will be so notified and will be liable for the maintenance visit charge as specified in Section 13.1.9 preceding, in addition to any other applicable charges as set forth in this tariff. (C)

ISSUE DATE:
October 17, 2017

Issued Under Transmittal No. 96
Vice President-Regulatory Operations
100 CenturyLink Drive
Monroe, Louisiana 71203

EFFECTIVE DATE:
November 1, 2017

ACCESS SERVICE

17. Expanded Interconnection Services (Cont'd)

17.6 Virtual Collocation (Cont'd)

- (D) The Telephone Company and the Interconnector are each responsible for notifying the other of significant outages which could impact or degrade either party's network and services, and provide estimated clearing time for restoral. The Telephone Company and the Interconnector are responsible for testing, cooperatively if necessary, to identify and clear a trouble when the trouble has been sectionalized to the portion of the service each provides.

ISSUE DATE:
February 28, 2011

Issued Under Transmittal No. 1
Vice President-Regulatory Operations
100 CenturyLink Drive
Monroe, Louisiana 71203

EFFECTIVE DATE:
March 1, 2011

ACCESS SERVICE

17. Expanded Interconnection Services (Cont'd)

17.7 Rates and Charges

(A) Physical Collocation **

- (1) Application Fee
 - Per Application Per Telephone
 Company Premises

Nonrecurring Charges

Florida	\$3,548.35
Nevada	\$3,654.75

(D)
 (D)
 (D)
 |
 (D)

** Effective October 4, 2008, Physical Collocation will no longer be available to new customers requesting new arrangements at new locations. Physical Collocation is limited to existing customers purchasing Physical Collocation service as of October 4, 2008 at offices where they currently exist. Orders for new arrangements received prior to October 4, 2008 will be processed. Customers with existing arrangements may continue to augment (add to; or make changes to; or partial disconnection of) their existing arrangements in offices where they currently exist under the rates, terms and conditions of this tariff.

(D)

Material deleted from this page now appears in Brightspeed Local Operating Companies Tariff F.C.C. NO. 9.

(N)
 (N)

ISSUE DATE:
 September 19, 2022

Issued Under Transmittal No. 125
 Vice President-Regulatory Operations
 100 CenturyLink Drive
 Monroe, Louisiana 71203

EFFECTIVE DATE:
 October 4, 2022

ACCESS SERVICE

17. Expanded Interconnection Services (Cont'd)

17.7 Rates and Charges (Cont'd)

(A) Physical Collocation ** (Cont'd)

(2) Floor Space
 - Per Square Foot

	<u>Monthly Rates</u>
Florida	\$6.19
Nevada	\$5.82

(D)
 (D)
 (D)
 |
 (D)

** Effective October 4, 2008, Physical Collocation will no longer be available to new customers requesting new arrangements at new locations. Physical Collocation is limited to existing customers purchasing Physical Collocation service as of October 4, 2008 at offices where they currently exist. Orders for new arrangements received prior to October 4, 2008 will be processed. Customers with existing arrangements may continue to augment (add to; or make changes to; or partial disconnection of) their existing arrangements in offices where they currently exist under the rates, terms and conditions of this tariff.

(D)

Material deleted from this page now appears in Brightspeed Local Operating Companies Tariff F.C.C. NO. 9.

(N)
 (N)

ISSUE DATE:
 September 19, 2022

Issued Under Transmittal No. 125
 Vice President-Regulatory Operations
 100 CenturyLink Drive
 Monroe, Louisiana 71203

EFFECTIVE DATE:
 October 4, 2022

ACCESS SERVICE

17. Expanded Interconnection Services (Cont'd)

17.7 Rates and Charges (Cont'd)

(A) Physical Collocation ** (Cont'd)

(3) Roof Space
- Per Square Foot

	<u>Monthly Rates</u>
Florida	\$6.19
Nevada	\$5.82

(D)
(D)
(D)
|
(D)

(D)

* Effective October 4, 2008, Physical Collocation will no longer be available to new customers requesting new arrangements at new locations. Physical Collocation is limited to existing customers purchasing Physical Collocation service as of October 4, 2008 at offices where they currently exist. Orders for new arrangements received prior to October 4, 2008 will be processed. Customers with existing arrangements may continue to augment (add to; or make changes to; or partial disconnection of) their existing arrangements in offices where they currently exist under the rates, terms and conditions of this tariff.

Material deleted from this page now appears in Brightspeed Local Operating Companies Tariff F.C.C. NO. 9.

(N)
(N)

ISSUE DATE:
September 19, 2022

Issued Under Transmittal No. 125
Vice President-Regulatory Operations
100 CenturyLink Drive
Monroe, Louisiana 71203

EFFECTIVE DATE:
October 4, 2022

ACCESS SERVICE

17. Expanded Interconnection Services (Cont'd)

17.7 Rates and Charges (Cont'd)

(A) Physical Collocation ** (Cont'd)

(4) Transmitter/Receiver Space
 - Per Square Foot

	<u>Monthly Rates</u>
Florida	\$6.19
Nevada	\$5.82

(D)
 (D)
 (D)
 (D)

** Effective October 4, 2008, Physical Collocation will no longer be available to new customers requesting new arrangements at new locations. Physical Collocation is limited to existing customers purchasing Physical Collocation service as of October 4, 2008 at offices where they currently exist. Orders for new arrangements received prior to October 4, 2008 will be processed. Customers with existing arrangements may continue to augment (add to; or make changes to; or partial disconnection of) their existing arrangements in offices where they currently exist under the rates, terms and conditions of this tariff.

(D)

Material deleted from this page now appears in Brightspeed Local Operating Companies Tariff F.C.C. NO. 9.

(N)
 (N)

ISSUE DATE:
 September 19, 2022

Issued Under Transmittal No. 125
 Vice President-Regulatory Operations
 100 CenturyLink Drive
 Monroe, Louisiana 71203

EFFECTIVE DATE:
 October 4, 2022

ACCESS SERVICE

17. Expanded Interconnection Services (Cont'd)

17.7 Rates and Charges (Cont'd)

(A) Physical Collocation ** (Cont'd)

(5) DC Power

	<u>Monthly Rates Per Fuse Amp</u>	<u>Nonrecurring Charges Per Power Lead Per Foot</u>
Florida	\$11.41	\$25.66
Nevada	\$11.56	\$25.66

(D)
 (D)
 (D)
 (D)

** Effective October 4, 2008, Physical Collocation will no longer be available to new customers requesting new arrangements at new locations. Physical Collocation is limited to existing customers purchasing Physical Collocation service as of October 4, 2008 at offices where they currently exist. Orders for new arrangements received prior to October 4, 2008 will be processed. Customers with existing arrangements may continue to augment (add to; or make changes to; or partial disconnection of) their existing arrangements in offices where they currently exist under the rates, terms and conditions of this tariff.

(D)

Material deleted from this page now appears in Brightspeed Local Operating Companies Tariff F.C.C. NO. 9.

(N)
 (N)

ISSUE DATE:
 September 19, 2022

Issued Under Transmittal No. 125
 Vice President-Regulatory Operations
 100 CenturyLink Drive
 Monroe, Louisiana 71203

EFFECTIVE DATE:
 October 4, 2022

ACCESS SERVICE

17. Expanded Interconnection Services (Cont'd)

17.7 Rates and Charges (Cont'd)

(A) Physical Collocation ** (Cont'd)

(6) Security Enclosure

	<u>Nonrecurring Charges</u>		
	<u>Fixed</u>	<u>Per Linear Foot</u>	
Florida	\$3,279.20	\$25.00	
Nevada	\$3,154.30	\$25.00	(D)

(D)
 (D)
 (D)
 |
 (D)

** Effective October 4, 2008, Physical Collocation will no longer be available to new customers requesting new arrangements at new locations. Physical Collocation is limited to existing customers purchasing Physical Collocation service as of October 4, 2008 at offices where they currently exist. Orders for new arrangements received prior to October 4, 2008 will be processed. Customers with existing arrangements may continue to augment (add to; or make changes to; or partial disconnection of) their existing arrangements in offices where they currently exist under the rates, terms and conditions of this tariff.

(D)

Material deleted from this page now appears in Brightspeed Local Operating Companies Tariff F.C.C. NO. 9.

(N)
 (N)

ISSUE DATE:
 September 19, 2022

Issued Under Transmittal No. 125
 Vice President-Regulatory Operations
 100 CenturyLink Drive
 Monroe, Louisiana 71203

EFFECTIVE DATE:
 October 4, 2022

ACCESS SERVICE

17. Expanded Interconnection Services (Cont'd)

17.7 Rates and Charges (Cont'd)

(A) Physical Collocation ** (Cont'd)

(7) Conduit Space – Per Foot
 - Per Linear Foot

	<u>Monthly Rates</u>
Florida	\$0.37
Nevada	\$0.37

(D)
 (D)
 (D)
 (D)

** Effective October 4, 2008, Physical Collocation will no longer be available to new customers requesting new arrangements at new locations. Physical Collocation is limited to existing customers purchasing Physical Collocation service as of October 4, 2008 at offices where they currently exist. Orders for new arrangements received prior to October 4, 2008 will be processed. Customers with existing arrangements may continue to augment (add to; or make changes to; or partial disconnection of) their existing arrangements in offices where they currently exist under the rates, terms and conditions of this tariff.

(D)

Material deleted from this page now appears in Brightspeed Local Operating Companies Tariff F.C.C. NO. 9.

(N)
 (N)

ISSUE DATE:
 September 19, 2022

Issued Under Transmittal No. 125
 Vice President-Regulatory Operations
 100 CenturyLink Drive
 Monroe, Louisiana 71203

EFFECTIVE DATE:
 October 4, 2022

ACCESS SERVICE

17. Expanded Interconnection Services (Cont'd)

17.7 Rates and Charges (Cont'd)

(A) Physical Collocation ** (Cont'd)

(8) Conduit Space – Vault
 - Per Foot of 9 Conduit Vault

	<u>Monthly Rates</u>
Florida	\$1.16
Nevada	\$1.18

(D)
 (D)
 (D)
 (D)

(D)

** Effective October 4, 2008, Physical Collocation will no longer be available to new customers requesting new arrangements at new locations. Physical Collocation is limited to existing customers purchasing Physical Collocation service as of October 4, 2008 at offices where they currently exist. Orders for new arrangements received prior to October 4, 2008 will be processed. Customers with existing arrangements may continue to augment (add to; or make changes to; or partial disconnection of) their existing arrangements in offices where they currently exist under the rates, terms and conditions of this tariff.

Material deleted from this page now appears in Brightspeed Local Operating Companies Tariff F.C.C. NO. 9.

(N)
 (N)

ISSUE DATE:
 September 19, 2022

Issued Under Transmittal No. 125
 Vice President-Regulatory Operations
 100 CenturyLink Drive
 Monroe, Louisiana 71203

EFFECTIVE DATE:
 October 4, 2022

ACCESS SERVICE

17. Expanded Interconnection Services (Cont'd)

17.7 Rates and Charges (Cont'd)

(A) Physical Collocation ** (Cont'd)

(9) DS0 Electrical Cross-Connect
- Per Connection

	<u>Monthly Rates</u>
Florida	\$0.94
Nevada	\$0.96

(D)
(D)
(D)
|
(D)

** Effective October 4, 2008, Physical Collocation will no longer be available to new customers requesting new arrangements at new locations. Physical Collocation is limited to existing customers purchasing Physical Collocation service as of October 4, 2008 at offices where they currently exist. Orders for new arrangements received prior to October 4, 2008 will be processed. Customers with existing arrangements may continue to augment (add to; or make changes to; or partial disconnection of) their existing arrangements in offices where they currently exist under the rates, terms and conditions of this tariff.

(D)

Material deleted from this page now appears in Brightspeed Local Operating Companies Tariff F.C.C. NO. 9.

(N)
(N)

ISSUE DATE:
September 19, 2022

Issued Under Transmittal No. 125
Vice President-Regulatory Operations
100 CenturyLink Drive
Monroe, Louisiana 71203

EFFECTIVE DATE:
October 4, 2022

ACCESS SERVICE

17. Expanded Interconnection Services (Cont'd)

17.7 Rates and Charges (Cont'd)

(A) Physical Collocation ** (Cont'd)

(10) DS1 Electrical Cross-Connect
 - Per Connection

	<u>Monthly Rates</u>
Florida	\$2.93
Nevada	\$2.99

(D)
 (D)
 (D)
 (D)

** Effective October 4, 2008, Physical Collocation will no longer be available to new customers requesting new arrangements at new locations. Physical Collocation is limited to existing customers purchasing Physical Collocation service as of October 4, 2008 at offices where they currently exist. Orders for new arrangements received prior to October 4, 2008 will be processed. Customers with existing arrangements may continue to augment (add to; or make changes to; or partial disconnection of) their existing arrangements in offices where they currently exist under the rates, terms and conditions of this tariff.

(D)

Material deleted from this page now appears in Brightspeed Local Operating Companies Tariff F.C.C. NO. 9.

(N)
 (N)

ISSUE DATE:
 September 19, 2022

Issued Under Transmittal No. 125
 Vice President-Regulatory Operations
 100 CenturyLink Drive
 Monroe, Louisiana 71203

EFFECTIVE DATE:
 October 4, 2022

ACCESS SERVICE

17. Expanded Interconnection Services (Cont'd)

17.7 Rates and Charges (Cont'd)

(A) Physical Collocation ** (Cont'd)

(11) DS3 Electrical Cross-Connect
 - Per Connection

	<u>Monthly Rates</u>
Florida	\$25.85
Nevada	\$26.47

(D)
 (D)
 (D)
 (D)

** Effective October 4, 2008, Physical Collocation will no longer be available to new customers requesting new arrangements at new locations. Physical Collocation is limited to existing customers purchasing Physical Collocation service as of October 4, 2008 at offices where they currently exist. Orders for new arrangements received prior to October 4, 2008 will be processed. Customers with existing arrangements may continue to augment (add to; or make changes to; or partial disconnection of) their existing arrangements in offices where they currently exist under the rates, terms and conditions of this tariff.

(D)

Material deleted from this page now appears in Brightspeed Local Operating Companies Tariff F.C.C. NO. 9.

(N)
 (N)

ISSUE DATE:
 September 19, 2022

Issued Under Transmittal No. 125
 Vice President-Regulatory Operations
 100 CenturyLink Drive
 Monroe, Louisiana 71203

EFFECTIVE DATE:
 October 4, 2022

ACCESS SERVICE

17. Expanded Interconnection Services (Cont'd)

17.7 Rates and Charges (Cont'd)

(A) Physical Collocation ** (Cont'd)

(12) Optical Cross-Connect
 - Per 4-Fiber Connection

	<u>Monthly Rates</u>
Florida	\$38.51
Nevada	\$43.95

(D)
 (D)
 (D)
 (D)

(D)

** Effective October 4, 2008, Physical Collocation will no longer be available to new customers requesting new arrangements at new locations. Physical Collocation is limited to existing customers purchasing Physical Collocation service as of October 4, 2008 at offices where they currently exist. Orders for new arrangements received prior to October 4, 2008 will be processed. Customers with existing arrangements may continue to augment (add to; or make changes to; or partial disconnection of) their existing arrangements in offices where they currently exist under the rates, terms and conditions of this tariff.

Material deleted from this page now appears in Brightspeed Local Operating Companies Tariff F.C.C. NO. 9.

(N)
 (N)

ISSUE DATE:
 September 19, 2022

Issued Under Transmittal No. 125
 Vice President-Regulatory Operations
 100 CenturyLink Drive
 Monroe, Louisiana 71203

EFFECTIVE DATE:
 October 4, 2022

ACCESS SERVICE

17. Expanded Interconnection Services (Cont'd)

17.7 Rates and Charges (Cont'd)

(A) Physical Collocation ** (Cont'd)

(13) Riser Space
 - Per Foot

	<u>Monthly Rates</u>
Florida	\$4.45
Nevada	\$4.25

(D)
 (D)
 (D)
 |
 (D)

** Effective October 4, 2008, Physical Collocation will no longer be available to new customers requesting new arrangements at new locations. Physical Collocation is limited to existing customers purchasing Physical Collocation service as of October 4, 2008 at offices where they currently exist. Orders for new arrangements received prior to October 4, 2008 will be processed. Customers with existing arrangements may continue to augment (add to; or make changes to; or partial disconnection of) their existing arrangements in offices where they currently exist under the rates, terms and conditions of this tariff.

(D)

Material deleted from this page now appears in Brightspeed Local Operating Companies Tariff F.C.C. NO. 9.

(N)
 (N)

ISSUE DATE:
 September 19, 2022

Issued Under Transmittal No. 125
 Vice President-Regulatory Operations
 100 CenturyLink Drive
 Monroe, Louisiana 71203

EFFECTIVE DATE:
 October 4, 2022

ACCESS SERVICE

17. Expanded Interconnection Services (Cont'd)

17.7 Rates and Charges (Cont'd)

(A) Physical Collocation ** (Cont'd)

(14) Diverse Riser Space
- Per Foot

	<u>Monthly Rates</u>
Florida	\$4.45
Nevada	\$4.25

(D)
(D)
(D)
|
(D)

** Effective October 4, 2008, Physical Collocation will no longer be available to new customers requesting new arrangements at new locations. Physical Collocation is limited to existing customers purchasing Physical Collocation service as of October 4, 2008 at offices where they currently exist. Orders for new arrangements received prior to October 4, 2008 will be processed. Customers with existing arrangements may continue to augment (add to; or make changes to; or partial disconnection of) their existing arrangements in offices where they currently exist under the rates, terms and conditions of this tariff.

(D)

Material deleted from this page now appears in Brightspeed Local Operating Companies Tariff F.C.C. NO. 9.

(N)
(N)

ISSUE DATE:
September 19, 2022

Issued Under Transmittal No. 125
Vice President-Regulatory Operations
100 CenturyLink Drive
Monroe, Louisiana 71203

EFFECTIVE DATE:
October 4, 2022

ACCESS SERVICE

17. Expanded Interconnection Services (Cont'd)

17.7 Rates and Charges (Cont'd)

(A) Physical Collocation ** (Cont'd)

(15) Interconnection Rearrangement
 - Per Service Reconfigured

Nonrecurring Charges

Florida \$85.00

Nevada \$78.42

(D)
(D)

(D)

(D)

Nonrecurring Charges

(16) Cable Pull and Splice
 - Per Half Hour

See Section 13.2,
 Additional
 Labor Rates

(17) Installation and/or Maintenance
 - Per Half Hour

See Section 13.2,
 Additional
 Labor Rates

* Effective October 4, 2008, Physical Collocation will no longer be available to new customers requesting new arrangements at new locations. Physical Collocation is limited to existing customers purchasing Physical Collocation service as of October 4, 2008 at offices where they currently exist. Orders for new arrangements received prior to October 4, 2008 will be processed. Customers with existing arrangements may continue to augment (add to; or make changes to; or partial disconnection of) their existing arrangements in offices where they currently exist under the rates, terms and conditions of this tariff.

(D)

Material deleted from this page now appears in Brightspeed Local Operating Companies Tariff F.C.C. NO. 9.

(N)
(N)

ISSUE DATE:
 September 19, 2022

Issued Under Transmittal No. 125
 Vice President-Regulatory Operations
 100 CenturyLink Drive
 Monroe, Louisiana 71203

EFFECTIVE DATE:
 October 4, 2022

ACCESS SERVICE

17. Expanded Interconnection Services (Cont'd)

17.7 Rates and Charges (Cont'd)

(B) Virtual Collocation

- (1) Application Fee
- Per Application Per
Telephone Company Premises

Nonrecurring Charges

Florida	\$2,520.00
Nevada	\$2,800.00

(D)
(D)
(D)
|
(D)

Material deleted from this page now appears in Brightspeed Local Operating Companies Tariff F.C.C. NO. 9.

(D)
(N)
(N)

ISSUE DATE:
September 19, 2022

Issued Under Transmittal No. 125
Vice President-Regulatory Operations
100 CenturyLink Drive
Monroe, Louisiana 71203

EFFECTIVE DATE:
October 4, 2022

ACCESS SERVICE

17. Expanded Interconnection Services (Cont'd)

17.7 Rates and Charges (Cont'd)

(B) Virtual Collocation (Cont'd)

(2) DS1 Electrical Cross-Connect
- Per Connection

Monthly Rates

Florida \$4.45

Nevada \$4.40

(D)
(D)
(D)
|
(D)

**Material deleted from this page now appears in Brightspeed Local Operating Companies Tariff
F.C.C. NO. 9.**

(D)
(N)
(N)

ISSUE DATE:
September 19, 2022

Issued Under Transmittal No. 125
Vice President-Regulatory Operations
100 CenturyLink Drive
Monroe, Louisiana 71203

EFFECTIVE DATE:
October 4, 2022

ACCESS SERVICE

17. Expanded Interconnection Services (Cont'd)

17.7 Rates and Charges (Cont'd)

(B) Virtual Collocation (Cont'd)

(3) DS3 Electrical Cross-Connect
- Per Connection

Monthly Rates

Florida \$53.55

Nevada \$51.51

(D)
(D)
(D)
|
(D)

Material deleted from this page now appears in Brightspeed Local Operating Companies Tariff F.C.C. NO. 9.

(D)
(N)
(N)

ISSUE DATE:
September 19, 2022

Issued Under Transmittal No. 125
Vice President-Regulatory Operations
100 CenturyLink Drive
Monroe, Louisiana 71203

EFFECTIVE DATE:
October 4, 2022

ACCESS SERVICE

17. Expanded Interconnection Services (Cont'd)

17.7 Rates and Charges (Cont'd)

(B) Virtual Collocation (Cont'd)

(4) DS0 Electrical Cross-Connect
- Per Connection

Monthly Rates

Nevada

\$3.00

See Section 1.3 preceding.

ISSUE DATE:
February 28, 2011

Issued Under Transmittal No. 1
Vice President-Regulatory Operations
100 CenturyLink Drive
Monroe, Louisiana 71203

EFFECTIVE DATE:
March 1, 2011

ACCESS SERVICE

17. Expanded Interconnection Services (Cont'd)

17.7 Rates and Charges (Cont'd)

(B) Virtual Collocation (Cont'd)

(5) Optical Cross-Connect
- Per 4-Fiber Connection

Monthly Rates

Florida \$51.11

Nevada \$56.52

(D)
(D)
(D)
|
(D)

Material deleted from this page now appears in Brightspeed Local Operating Companies Tariff F.C.C. NO. 9.

(D)
(N)
(N)

ISSUE DATE:
September 19, 2022

Issued Under Transmittal No. 125
Vice President-Regulatory Operations
100 CenturyLink Drive
Monroe, Louisiana 71203

EFFECTIVE DATE:
October 4, 2022

ACCESS SERVICE

17. Expanded Interconnection Services (Cont'd)

17.7 Rates and Charges (Cont'd)

(B) Virtual Collocation (Cont'd)

(6) Ethernet Cross-Connect
- Per Connection

	<u>Monthly Rates</u>
Florida	\$5.00
Nevada	\$5.00

(D)
(D)
(D)
|
(D)

Material deleted from this page now appears in Brightspeed Local Operating Companies Tariff F.C.C. NO. 9.

(D)
(N)
(N)

ISSUE DATE:
September 19, 2022

Issued Under Transmittal No. 125
Vice President-Regulatory Operations
100 CenturyLink Drive
Monroe, Louisiana 71203

EFFECTIVE DATE:
October 4, 2022

ACCESS SERVICE

17. Expanded Interconnection Services (Cont'd)

17.7 Rates and Charges (Cont'd)

(B) Virtual Collocation (Cont'd)

(7) Internal Cabling
- Per Linear Foot

	<u>Monthly Rates</u>
Florida	\$0.19
Nevada	\$0.14

(D)
(D)
(D)
|
(D)

Material deleted from this page now appears in Brightspeed Local Operating Companies Tariff F.C.C. NO. 9.

(D)
(N)
(N)

ISSUE DATE:
September 19, 2022

Issued Under Transmittal No. 125
Vice President-Regulatory Operations
100 CenturyLink Drive
Monroe, Louisiana 71203

EFFECTIVE DATE:
October 4, 2022

ACCESS SERVICE

17. Expanded Interconnection Services (Cont'd)

17.7 Rates and Charges (Cont'd)

(B) Virtual Collocation (Cont'd)

(8) Internal Conduit
- Per Linear Foot

	<u>Monthly Rates</u>
Florida	\$0.53
Nevada	\$0.37

(D)
(D)
(D)
|
(D)

Material deleted from this page now appears in Brightspeed Local Operating Companies Tariff F.C.C. NO. 9.

(D)
(N)
(N)

ISSUE DATE:
September 19, 2022

Issued Under Transmittal No. 125
Vice President-Regulatory Operations
100 CenturyLink Drive
Monroe, Louisiana 71203

EFFECTIVE DATE:
October 4, 2022

ACCESS SERVICE

17. Expanded Interconnection Services (Cont'd)

17.7 Rates and Charges (Cont'd)

(B) Virtual Collocation (Cont'd)

(9) External Cabling and Conduit
- Per 1/4 Mile

Monthly Rates

Florida \$481.55

Nevada \$160.56

(D)
(D)

(D)

(D)

Nonrecurring Charges

(10) Installation and/or Maintenance
- Per Half Hour

See Section 13.2
Additional Labor Rates

**Material deleted from this page now appears in Brightspeed Local Operating Companies Tariff
F.C.C. NO. 9.**

(D)

(N)

(N)

ISSUE DATE:
September 19, 2022

Issued Under Transmittal No. 125
Vice President-Regulatory Operations
100 CenturyLink Drive
Monroe, Louisiana 71203

EFFECTIVE DATE:
October 4, 2022

ACCESS SERVICE

17. Expanded Interconnection Services (Cont'd)

17.7 Rates and Charges (Cont'd)

(B) Virtual Collocation (Cont'd)

(11) Interconnection Rearrangement
- Per Service Reconfigured

Nonrecurring Charges

Florida \$92.00

Nevada \$87.00

(D)
(D)
(D)
|
(D)

**Material deleted from this page now appears in Brightspeed Local Operating Companies Tariff
F.C.C. NO. 9.**

(D)
(N)
(N)

ISSUE DATE:
September 19, 2022

Issued Under Transmittal No. 125
Vice President-Regulatory Operations
100 CenturyLink Drive
Monroe, Louisiana 71203

EFFECTIVE DATE:
October 4, 2022

ACCESS SERVICE

17. Expanded Interconnection Services (Cont'd)17.8 Individual Case FilingsFLORIDACustomerDescription

Progress Telecommunications Corporation
 100 Central Avenue
 CX2A
 St. Petersburg, Florida 33701

Provide one duplex outlet and 20 amperes of
 120 volt AC power at the customer's designated
 premises collocated at 132 N. Calhoun Street,
 Tallahassee, Florida.

ICB # 1999-SO-4CGGX6

Nonrecurring Charge:
 Per Duplex Outlet \$854.68

USOC FL116

Monthly Recurring Charge:
 Per 20 Amperes AC Power \$ 56.06

USOC FL117

ISSUE DATE:
 February 28, 2011

Issued Under Transmittal No. 1
 Vice President-Regulatory Operations
 100 CenturyLink Drive
 Monroe, Louisiana 71203

EFFECTIVE DATE:
 March 1, 2011

ACCESS SERVICE

17. Expanded Interconnection Services (Cont'd)

17.8 Individual Case Filings (Cont'd)

This page is reserved for future use.

(N)

(D)

(D)

**Material deleted from this page now appears in Brightspeed Local Operating Companies
Tariff F.C.C. NO. 9.**

(N)

ISSUE DATE:
September 19, 2022

Issued Under Transmittal No. 125
Vice President-Regulatory Operations
100 CenturyLink Drive
Monroe, Louisiana 71203

EFFECTIVE DATE:
October 4, 2022

ACCESS SERVICE

18. **Reserved For Future Use**

(C)

(D)

(D)

**Material deleted from this page now appears in Brightspeed Local Operating Companies
Tariff F.C.C. NO. 9.**

(N)

(N)

ISSUE DATE:
September 19, 2022

Issued Under Transmittal No. 125
Vice President-Regulatory Operations
100 CenturyLink Drive
Monroe, Louisiana 71203

EFFECTIVE DATE:
October 4, 2022

ACCESS SERVICE

18. Reserved for Future Use

(C)

(D)

(D)

**Material deleted from this page now appears in Brightspeed Local Operating Companies
Tariff F.C.C. NO. 9.**

(N)

(N)

ISSUE DATE:
September 19, 2022

Issued Under Transmittal No. 125
Vice President-Regulatory Operations
100 CenturyLink Drive
Monroe, Louisiana 71203

EFFECTIVE DATE:
October 4, 2022

ACCESS SERVICE

18. **Reserved for Future Use**

(C)

(D)

(D)

**Material deleted from this page now appears in Brightspeed Local Operating Companies
Tariff F.C.C. NO. 9.**

(N)

(N)

ISSUE DATE:
September 19, 2022

Issued Under Transmittal No. 125
Vice President-Regulatory Operations
100 CenturyLink Drive
Monroe, Louisiana 71203

EFFECTIVE DATE:
October 4, 2022

ACCESS SERVICE

18. Reserved for Future Use

(C)

(D)

(D)

**Material deleted from this page now appears in Brightspeed Local Operating Companies
Tariff F.C.C. NO. 9.**

(N)

(N)

ISSUE DATE:
September 19, 2022

Issued Under Transmittal No. 125
Vice President-Regulatory Operations
100 CenturyLink Drive
Monroe, Louisiana 71203

EFFECTIVE DATE:
October 4, 2022

ACCESS SERVICE

18. **Reserved for Future Use**

(C)

(D)

(D)

**Material deleted from this page now appears in Brightspeed Local Operating Companies Tariff
F.C.C. NO. 9.**

(N)

(N)

ISSUE DATE:
September 19, 2022

Issued Under Transmittal No. 125
Vice President-Regulatory Operations
100 CenturyLink Drive
Monroe, Louisiana 71203

EFFECTIVE DATE:
October 4, 2022

ACCESS SERVICE

18. **Reserved for Future Use**

(C)

(D)

(D)

Material deleted from this page now appears in Brightspeed Local Operating Companies Tariff F.C.C. NO. 9.

(N)

(N)

ISSUE DATE:
September 19, 2022

Issued Under Transmittal No. 125
Vice President-Regulatory Operations
100 CenturyLink Drive
Monroe, Louisiana 71203

EFFECTIVE DATE:
October 4, 2022

ACCESS SERVICE

19. Promotional Offerings19.1 General

The Telephone Company may, from time to time, engage in special promotional service offerings, special arrangements or demonstrations designed to attract new customers, to stimulate customer usage and/or to increase existing customer awareness of Telephone Company products and services.

These promotional offerings will be limited to certain dates, times and locations as determined by the Telephone Company. The rates, charges, terms and/or conditions applicable to each promotional offering will be filed in this section.

19.2 Terms, Conditions, Rates and Charges

The specific rates, charges, terms and/or conditions for the promotions offered by the Telephone Company are described following:

(A) Custom Access Solutions

The Custom Access Solutions promotion waives the nonrecurring charges, as set forth in 8.7.5 preceding, when a customer installs a new Custom Access Solutions arrangement under a three year minimum service period.

In the event the customer terminates its Custom Access Solutions arrangement prior to the expiration date of the three year term, any nonrecurring charges waived under this promotion will be included in the calculation of the customer's termination liability charges as set forth in 8.7.2(A) preceding.

The promotion will begin on November 4, 2006, and will apply to all new Custom Access Solutions orders through January 31, 2007. The promotion is available to all customers served by suitably equipped Telephone Company wire centers identified in the National Exchange Carrier Association, Inc. Tariff F.C.C. No. 4.

ISSUE DATE:
February 28, 2011

Issued Under Transmittal No. 1
Vice President-Regulatory Operations
100 CenturyLink Drive
Monroe, Louisiana 71203

EFFECTIVE DATE:
March 1, 2011

ACCESS SERVICE

20. Local Number Portability (LNP) Query Service20.1 General

LNP provides the capability that allows a customer to maintain the same Directory Number (DN) when changing from one local telecommunications service provider to another, while remaining at the same location. In addition, it allows other Telephone Company customers to complete calls to numbers that have been ported.

LNP Query Service utilizes Location Routing Number (LRN) architecture to query a data base to secure network routing instructions prior to completion of a call. For NXXs equipped with LNP capability, the data base will contain information identifying an end user's selected Local Service Provider (LSP), along with the appropriate LRN for the LSP's switch. The LRN will be used to direct the call to the correct switch for completion to the end user. When more than one network is involved in completing the call, the network immediately preceding the terminating network (i.e., the N-1 Network) is responsible for querying the LNP data base to secure the LRN used in routing the call.

LNP Query Service will initially be deployed in Telephone Company serving areas residing within the 100 largest national Metropolitan Statistical Areas (MSAs) on a switch specific basis. If subsequent deployment is requested in additional switches within these MSAs, the Telephone Company will provide portability in the requested switches, where technically feasible, based on the timeframes established by the Federal Communications Commission in CC Docket No. 95-116:

- Equipped remote switches within 30 days
- Hardware capable switches within 60 days
- Capable switches requiring hardware within 180 days
- Non-capable switches within 180 days

ISSUE DATE:
February 28, 2011

Issued Under Transmittal No. 1
Vice President-Regulatory Operations
100 CenturyLink Drive
Monroe, Louisiana 71203

EFFECTIVE DATE:
March 1, 2011

ACCESS SERVICE

20. Local Number Portability (LNP) Query Service (Cont'd)20.2 Service Provisioning(A) Manner of Provisioning

LNP Query Service will be provisioned using the LRN architecture. The LRN associates an NPA-NXX-XXXX network routing number with each central office switch that serves ported lines. This number will be known as the LRN for that switch. The LRN will be used as a network routing number for calls to ported numbers served by that switch. All switching equipment types will utilize the LRN architecture to provide LNP call processing.

(B) Limitations

LNP Query Service is to be used only on a call-by-call basis for routing calls to number portable NXX codes and cannot be used for purposes other than those functions described herein.

Information residing in the Telephone Company's LNP data base is protected from unauthorized access and may not be stored in a carrier's data base or elsewhere for any reason.

(C) Network Management

The Telephone Company will administer its network to ensure the provision of acceptable service levels to all users of the LNP Query Service.

The Telephone Company reserves the right to block any LNP Query traffic in a nondiscriminatory manner, where the processing of the LNP queries threatens to disrupt operation of its network and impair network reliability.

ISSUE DATE:
February 28, 2011

Issued Under Transmittal No. 1
Vice President-Regulatory Operations
100 CenturyLink Drive
Monroe, Louisiana 71203

EFFECTIVE DATE:
March 1, 2011

ACCESS SERVICE

20. Local Number Portability (LNP) Query Service (Cont'd)20.3 LNP Query Service Application

The applications of the LNP network capability available through the Telephone Company's network are:

(A) Prearranged LNP Query

N-1 carriers may arrange in advance to have the Telephone Company query the LNP data base to route a call properly to the terminating carrier serving the ported number. This query is initiated on behalf of the N-1 carrier in the performance of its N-1 responsibility.

- If the Telephone Company's end office is the first point of switching for terminating a non-queried call and the telephone number is a ported number, the end office switch will suspend the call process and launch a query to the LNP data base. Once the routing information is returned to the end office, call processing will be resumed and the call will be routed to the correct switch for completion.
- In situations where the Telephone Company's tandem is the first point of switching for terminating a non-queried call, the tandem switch will suspend the call process and launch a query to the LNP data base. Once the routing information is returned to the tandem switch, call processing will be resumed and the call will be routed to the correct switch for completion.

The carrier will be assessed an end office or tandem Prearranged LNP Query charge, as set forth in 20.5 following, regardless of the outcome of the query.

(B) Default LNP Query

N-1 carriers who do not prearrange with the Telephone Company to query the LNP data base and terminate calls into the Telephone Company's network without having performed the appropriate data base query will be

ISSUE DATE:
February 28, 2011

Issued Under Transmittal No. 1
Vice President-Regulatory Operations
100 CenturyLink Drive
Monroe, Louisiana 71203

EFFECTIVE DATE:
March 1, 2011

ACCESS SERVICE

20. Local Number Portability (LNP) Query Service (Cont'd)20.3 LNP Query Service Application (Cont'd)(B) Default LNP Query (Cont'd)

assessed an end office or tandem Default LNP Query charge. This query is initiated on behalf of the N-1 carrier in the performance of its N-1 responsibility, and may require the Telephone Company to assume extraordinary measures to meet the demand of the unforecasted default queries.

- If the Telephone Company's end office is the first point of switching for terminating a non-queried call and the telephone number is a ported number, the end office switch will suspend the call process and launch a query to the LNP data base. Once the routing information is returned to the end office, call processing will be resumed and the call will be routed to the correct switch for completion.
- In situations where the Telephone Company's tandem is the first point of switching for terminating a non-queried call, the tandem switch will suspend the call process and launch a query to the LNP data base. Once the routing information is returned to the tandem switch, call processing will be resumed and the call will be routed to the correct switch for completion.

The Default LNP Query charge, as set forth in 20.5 following, will apply, regardless of the outcome of the query.

ISSUE DATE:
February 28, 2011

Issued Under Transmittal No. 1
Vice President-Regulatory Operations
100 CenturyLink Drive
Monroe, Louisiana 71203

EFFECTIVE DATE:
March 1, 2011

ACCESS SERVICE

20. Local Number Portability (LNP) Query Service (Cont'd)

20.4 Rate Regulations

The rates and charges associated with LNP Query Service are query based and will be billed on a monthly basis, based on recorded usage. Query charges will be applied by the Telephone Company based upon the recordings of carrier queries to the data base. The Telephone Company will develop monthly charges based on an average number of queries per month if recordings are not available.

Specific rates and charges are set forth in 20.5 following.

ISSUE DATE:
February 28, 2011

Issued Under Transmittal No. 1
Vice President-Regulatory Operations
100 CenturyLink Drive
Monroe, Louisiana 71203

EFFECTIVE DATE:
March 1, 2011

ACCESS SERVICE

20. Local Number Portability (LNP) Query Service (Cont'd)

20.5 Rates and Charges

20.5.1 Prearranged LNP Query

- Per query

	<u>End Office</u>	<u>Tandem Office</u>	
Florida	\$0.004205	\$0.004205	
Minnesota	\$0.003663	\$0.003663	(D)
Nebraska	\$0.003663	\$0.003663	(D)
Nevada	\$0.004191	\$0.004191	(D)
Oregon	\$0.000799	\$0.000799	(D)
			(D)
Washington	\$0.000799	\$0.000799	(D)
Wyoming	\$0.003663	\$0.003663	(D)

Material deleted from this page now appears in Brightspeed Local Operating Companies Tariff F.C.C. NO. 9. (D)

(N)
(N)

ISSUE DATE:
September 19, 2022

Issued Under Transmittal No. 125
 Vice President-Regulatory Operations
 100 CenturyLink Drive
 Monroe, Louisiana 71203

EFFECTIVE DATE:
October 4, 2022

ACCESS SERVICE

20. Local Number Portability (LNP) Query Service (Cont'd)

20.5 Rates and Charges (Cont'd)

20.5.2 Default LNP Query

- Per query

	<u>End Office</u>	<u>Tandem Office</u>	
Florida	\$0.004205	\$0.004205	
Minnesota	\$0.003663	\$0.003663	(D)
Nebraska	\$0.003663	\$0.003663	(D)
Nevada	\$0.004191	\$0.004191	(D)
Oregon	\$0.000799	\$0.000799	(D)
			(D)
Washington	\$0.000799	\$0.000799	(D)
Wyoming	\$0.003663	\$0.003663	(D)

Material deleted from this page now appears in Brightspeed Local Operating Companies Tariff F.C.C. NO. 9. (D)

(N)
(N)

ISSUE DATE:
September 19, 2022

Issued Under Transmittal No. 125
 Vice President-Regulatory Operations
 100 CenturyLink Drive
 Monroe, Louisiana 71203

EFFECTIVE DATE:
October 4, 2022

ACCESS SERVICE

21. Pricing Flexibility Switched Access Service21.1 General Regulations

- (A) This section of the tariff provides the regulations, rates and charges applicable to dedicated switched transport services provided by the Telephone Company in the Metropolitan Statistical Areas (MSAs) for which the Telephone Company has received Phase II pricing flexibility pursuant to Subpart H of Part 69 of the Commission's rules. The specific MSAs for which pricing flexibility has been granted are listed in Section 21.3 following.
- (B) The pricing flexibility dedicated switched transport services provided in MSAs pursuant to this section include:
- Voice Grade, DS1 and DS3 Entrance Facilities
 - Voice Grade, DS1 and DS3 Direct-Trunked Transport
 - Dedicated Trunk Ports
 - DS1 to Voice and DS3 to DS1 Multiplexing
 - Switched Transport Installation
 - CCS/SS7 Interconnection Service

The general regulations, service descriptions, optional features, service provisioning, obligations of the Telephone Company and customer, and rate regulations set forth in Sections 6.1 through 6.7 preceding for switched access services are applicable to the pricing flexibility services specified in this section. Where the regulations in Section 6 conflict with those set forth in this section, the regulations specified herein for the provision of switched access services in the Telephone Company's pricing flexibility MSAs will supercede any inconsistencies.

- (C) Unless otherwise provided in this section, the regulations set forth in Sections 1, 2, 5, and 13 are applicable to switched access services provided in the Telephone Company's pricing flexibility MSAs.

ISSUE DATE:
February 28, 2011

Issued Under Transmittal No. 1
Vice President-Regulatory Operations
100 CenturyLink Drive
Monroe, Louisiana 71203

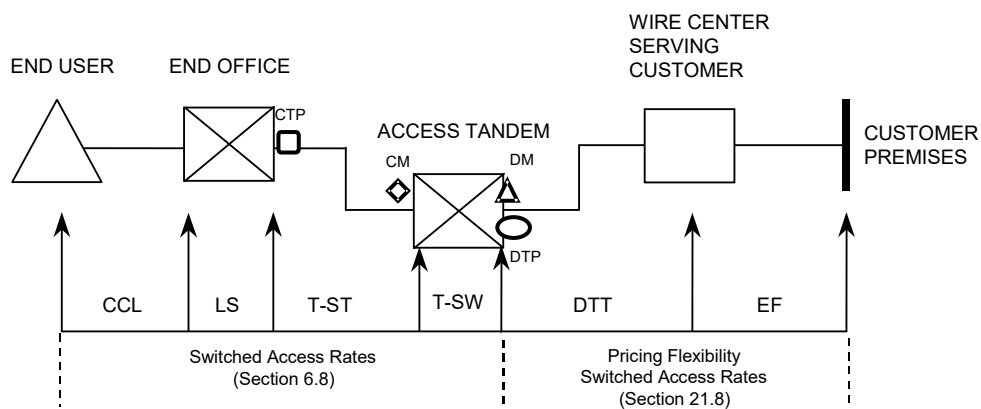
EFFECTIVE DATE:
March 1, 2011

ACCESS SERVICE

21. Pricing Flexibility Switched Access Service (Cont'd)21.2 Application of Rates and Charges

The rates and charges for switched access services provided in pricing flexibility MSAs are set forth in 21.8 following. Rates and charges for the non-flexibility service areas are set forth in Section 6.8 preceding. When switched access service in a pricing flexibility MSA is provided under a zone density plan as set forth in Section 6.7.17, channel mileage will be deemed to be offered in the highest priced zone.

The following examples depict a typical switched dedicated point-to-point service provided within a pricing flexibility MSA, and between a pricing flexibility MSA and a non-flexibility service area.

(A) Switched Access Service within a Pricing Flexibility MSA

CCL: CARRIER COMMON LINE
 LS: LOCAL SWITCHING
 T-ST: TANDEM-SWITCHED TRANSMISSION (FIXED & PER MILE)
 T-SW: TANDEM SWITCHING
 DTT: DIRECT-TRUNKED TRANSPORT
 EF: ENTRANCE FACILITY
 CTP: COMMON TRUNK PORT
 CM: COMMON TRANSPORT MULTIPLEXING
 DTP: DEDICATED TRUNK PORT
 DM: DEDICATED MULTIPLEXING

ISSUE DATE:
February 28, 2011

Issued Under Transmittal No. 1
 Vice President-Regulatory Operations
 100 CenturyLink Drive
 Monroe, Louisiana 71203

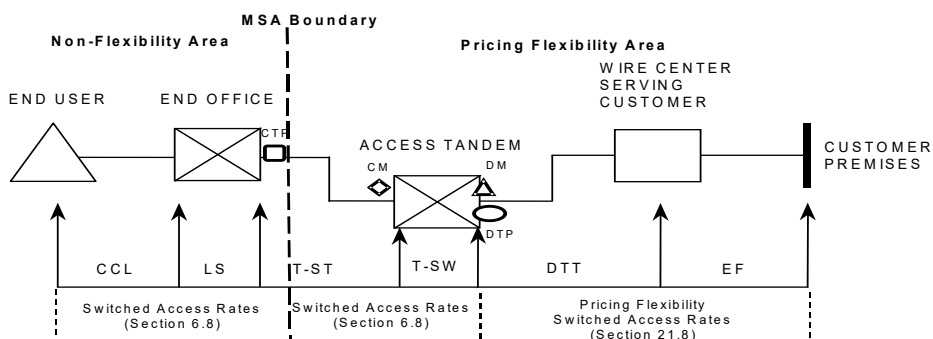
EFFECTIVE DATE:
March 1, 2011

ACCESS SERVICE

21. Pricing Flexibility Switched Access Service (Cont'd)

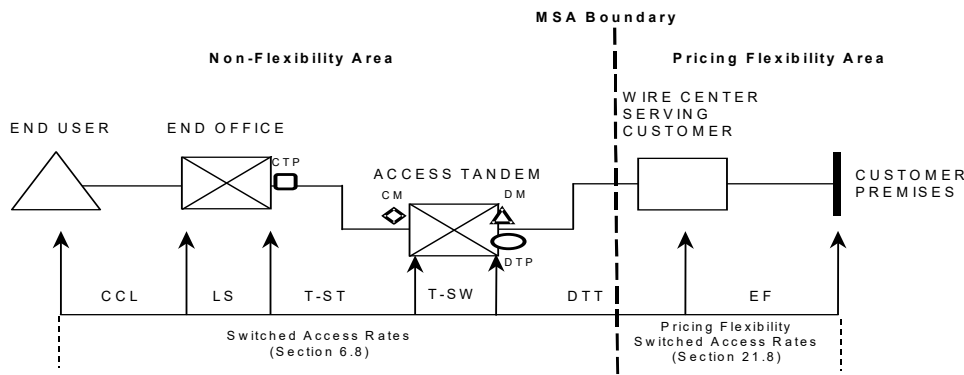
21.2 Application of Rates and Charges (Cont'd)

(B) Switched Access Service between a Pricing Flexibility MSA and a Non-Flexibility Area



- CCL: CARRIER COMMON LINE
- LS: LOCAL SWITCHING
- T-ST: TANDEM-SWITCHED TRANSMISSION (FIXED & PER MILE)
- T-SW: TANDEM SWITCHING
- DTT: DIRECT-TRUNKED TRANSPORT
- EF: ENTRANCE FACILITY
- CTP: COMMON TRUNK PORT
- CM: COMMON TRANSPORT MULTIPLEXING
- DTP: DEDICATED TRUNK PORT
- DM: DEDICATED MULTIPLEXING

(C) Switched Access Service between a Pricing Flexibility MSA and a Non-Flexibility Area



- CCL: CARRIER COMMON LINE
- LS: LOCAL SWITCHING
- T-ST: TANDEM-SWITCHED TRANSMISSION (FIXED & PER MILE)
- T-SW: TANDEM SWITCHING
- DTT: DIRECT-TRUNKED TRANSPORT
- EF: ENTRANCE FACILITY
- CTP: COMMON TRUNK PORT
- CM: COMMON TRANSPORT MULTIPLEXING
- DTP: DEDICATED TRUNK PORT
- DM: DEDICATED MULTIPLEXING

ISSUE DATE:
February 28, 2011

Issued Under Transmittal No. 1
Vice President-Regulatory Operations
100 CenturyLink Drive
Monroe, Louisiana 71203

EFFECTIVE DATE:
March 1, 2011

ACCESS SERVICE

21. Pricing Flexibility Switched Access Service (Cont'd)21.3 Metropolitan Statistical Areas (MSAs)**FLORIDA – Orlando MSA**

<u>Zone 1</u>		<u>Zone 2</u>		<u>Zone 3</u>	
<u>End Office</u>	<u>CLLI</u>	<u>End Office</u>	<u>CLLI</u>	<u>End Office</u>	<u>CLLI</u>
Altamonte Springs	ALSPFLXA	Apopka	APPKFLXA	Astor	ASTRFLXA
Kissimmee	KSSMFLXA	Goldenrod	GLRDFLXA	Clermont	CLMTFLXA
Maitland	MTLDLFLXA	Lake Brantly	LKBRFLXA	Casselberry	CSLBFLXA
Winter Park	WNPKFLXA	Leesburg	LSBGFLXA	Eustis	ESTSFLXA
		West Kissimmee	KSSMFLXB	Groveland	GVLDFLXA
		Winter Garden	WNGRFLXA	Howey-in-the-Hills	HOWYFLXA
				Kenansville	KNVLFLXA
				Kissimmee	KSSMFLXD
				Lady Lake	LDLKFLXA
				Mount Dora	MTDRFLXA
				Montverde	MTVRFLXA
				St. Cloud	STCDLFLXA
				Tavares	TVRSFLXA
				Umatilla	UMTLFLXA
				Windermere	WNRDFLXA
				Winter Park	WNPKFLXE

ISSUE DATE:
February 28, 2011

Issued Under Transmittal No. 1
Vice President-Regulatory Operations
100 CenturyLink Drive
Monroe, Louisiana 71203

EFFECTIVE DATE:
March 1, 2011

ACCESS SERVICE

21. Pricing Flexibility Switched Access Service (Cont'd)

21.3 Metropolitan Statistical Areas (MSAs) (Cont'd)

FLORIDA – Tallahassee MSA

<u>Zone 1</u>		<u>Zone 2</u>		<u>Zone 3</u>	
<u>End Office</u>	<u>CLLI</u>	<u>End Office</u>	<u>CLLI</u>	<u>End Office</u>	<u>CLLI</u>
None	None	Tallahassee	TLHSFLXA	Tallahassee	TLHSFLXE
		Tallahassee	TLHSFLXB	Tallahassee	TLHSFLXG
		Tallahassee	TLHSFLXC	Tallahassee	TLHSFLXH
		Tallahassee	TLHSFLXD		
		Tallahassee	TLHSFLXF		

ISSUE DATE:
February 28, 2011

Issued Under Transmittal No. 1
Vice President-Regulatory Operations
100 CenturyLink Drive
Monroe, Louisiana 71203

EFFECTIVE DATE:
March 1, 2011

ACCESS SERVICE

21. Pricing Flexibility Switched Access Service (Cont'd)21.3 Metropolitan Statistical Areas (MSAs) (Cont'd)

NEVADA – Las Vegas MSA					
<u>Zone 1</u>		<u>Zone 2</u>		<u>Zone 3</u>	
<u>End Office</u>	<u>CLLI</u>	<u>End Office</u>	<u>CLLI</u>	<u>End Office</u>	<u>CLLI</u>
Las Vegas	LSVGNVXB	Las Vegas	LSVGNVXH	Blue Diamond	BDMDNVXS
Las Vegas	LSVGNVXG	Las Vegas	LSVGNVXI	Boulder City	BLCYNVXF
Las Vegas	LSVGNVXK	Las Vegas	LSVGNVXR	Henderson	HNSNNVXF
Las Vegas	LSVGNVXL			Jean	JEANNVXF
Las Vegas	LSVGNVXM	Las Vegas	LSVGNVXU	Laughlin	LGLNNVXF
Las Vegas	LSVGNVXV			Las Vegas	LSVGNVXT
Las Vegas	LSVGNVXW			Las Vegas	NLVGNVXG
		Las Vegas	NLVGNVXF	Mt. Charleston	MTCHNVXF
				Nelson	NLSNNVXB
				Searchlight	SRCHNVXF

ISSUE DATE:
February 28, 2011

Issued Under Transmittal No. 1
Vice President-Regulatory Operations
100 CenturyLink Drive
Monroe, Louisiana 71203

EFFECTIVE DATE:
March 1, 2011

ACCESS SERVICE

21. Pricing Flexibility Switched Access Service (Cont'd)

21.3 Metropolitan Statistical Areas (MSAs) (Cont'd)

This page is reserved for future use.

(N)

(D)

(D)

**Material deleted from this page now appears in Brightspeed Local Operating Companies Tariff
F.C.C. NO. 9.**

(N)

(N)

ISSUE DATE:
September 19, 2022

Issued Under Transmittal No. 125
Vice President-Regulatory Operations
100 CenturyLink Drive
Monroe, Louisiana 71203

EFFECTIVE DATE:
October 4, 2022

ACCESS SERVICE

21. Pricing Flexibility Switched Access Service (Cont'd)

21.3 Metropolitan Statistical Areas (MSAs) (Cont'd)

This page is reserved for future use.

(N)

(D)

(D)

Material deleted from this page now appears in Brightspeed Local Operating Companies Tariff F.C.C. NO. 9.

(N)

(N)

ISSUE DATE:
September 19, 2022

Issued Under Transmittal No. 125
Vice President-Regulatory Operations
100 CenturyLink Drive
Monroe, Louisiana 71203

EFFECTIVE DATE:
October 4, 2022

ACCESS SERVICE

- 21. Pricing Flexibility Switched Access Service (Cont'd)
- 21.3 Metropolitan Statistical Areas (MSAs) (Cont'd)

This page is reserved for future use.

(N)

(D)

(D)

**Material deleted from this page now appears in Brightspeed Local Operating Companies
Tariff F.C.C. NO. 9.**

(N)

(N)

ISSUE DATE:
September 19, 2022

Issued Under Transmittal No. 125
Vice President-Regulatory Operations
100 CenturyLink Drive
Monroe, Louisiana 71203

EFFECTIVE DATE:
October 4, 2022

ACCESS SERVICE

- 21. Pricing Flexibility Switched Access Service (Cont'd)
- 21.3 Metropolitan Statistical Areas (MSAs) (Cont'd)

This page is reserved for future use.

(N)

(D)

(D)

**Material deleted from this page now appears in Brightspeed Local Operating Companies
Tariff F.C.C. NO. 9.**

(N)

(N)

ISSUE DATE:
September 19, 2022

Issued Under Transmittal No. 125
Vice President-Regulatory Operations
100 CenturyLink Drive
Monroe, Louisiana 71203

EFFECTIVE DATE:
October 4, 2022

ACCESS SERVICE

- 21. Pricing Flexibility Switched Access Service (Cont'd)
- 21.3 Metropolitan Statistical Areas (MSAs) (Cont'd)

This page is reserved for future use.

(N)

(D)

(D)

**Material deleted from this page now appears in Brightspeed Local Operating Companies
Tariff F.C.C. NO. 9.**

(N)

(N)

ISSUE DATE:
September 19, 2022

Issued Under Transmittal No. 125
Vice President-Regulatory Operations
100 CenturyLink Drive
Monroe, Louisiana 71203

EFFECTIVE DATE:
October 4, 2022

ACCESS SERVICE

21. Pricing Flexibility Switched Access Service (Cont'd)

21.3 Metropolitan Statistical Areas (MSAs) (Cont'd)

This page is reserved for future use.

(N)

(D)

(D)

**Material deleted from this page now appears in Brightspeed Local Operating Companies Tariff
F.C.C. NO. 9.**

(N)

(N)

ISSUE DATE:
September 19, 2022

Issued Under Transmittal No. 125
Vice President-Regulatory Operations
100 CenturyLink Drive
Monroe, Louisiana 71203

EFFECTIVE DATE:
October 4, 2022

ACCESS SERVICE

21. Pricing Flexibility Switched Access Service (Cont'd)

21.3 Metropolitan Statistical Areas (MSAs) (Cont'd)

This page is reserved for future use.

(N)

(D)

(D)

**Material deleted from this page now appears in BrightSpeed Local Operating Companies Tariff
F.C.C. NO. 9.**

(N)

(N)

ISSUE DATE:
September 19, 2022

Issued Under Transmittal No. 125
Vice President-Regulatory Operations
100 CenturyLink Drive
Monroe, Louisiana 71203

EFFECTIVE DATE:
October 4, 2022

ACCESS SERVICE

21. Pricing Flexibility Switched Access Service (Cont'd)

21.4 Reserved For Future Use

21.5 Reserved For Future Use

21.6 Reserved For Future Use

21.7 Reserved For Future Use

ISSUE DATE:
February 28, 2011

Issued Under Transmittal No. 1
Vice President-Regulatory Operations
100 CenturyLink Drive
Monroe, Louisiana 71203

EFFECTIVE DATE:
March 1, 2011

ACCESS SERVICE

21. Pricing Flexibility Switched Access Service (Cont'd)

21.8 Rates and Charges (Cont'd)

21.8.1 Reserved for Future Use

21.8.2 Switched Transport

(A) Entrance Facilities

(1) Voice Grade

- Per Point of Termination
- Two Wire

	<u>Monthly</u>	<u>Nonrecurring</u>	
	<u>Rates</u>	<u>Charges</u>	
Florida			
Orlando MSA	\$105.00	\$165.00	
Tallahassee MSA	\$105.00	\$165.00	(D)
			(D)
Minnesota	N/A	N/A	
Nebraska	N/A	N/A	(D)
Nevada	\$25.00	\$240.00	
			(D)
			(D)
Oregon	N/A	N/A	(D)
			(D)
Washington	N/A	N/A	
Wyoming	N/A	N/A	(D)

Material deleted from this page now appears in Brightspeed Local Operating Companies Tariff F.C.C. NO. 9.

(N)
(N)

ISSUE DATE:
September 19, 2022

Issued Under Transmittal No. 125
 Vice President-Regulatory Operations
 100 CenturyLink Drive
 Monroe, Louisiana 71203

EFFECTIVE DATE:
October 4, 2022

ACCESS SERVICE

21. Pricing Flexibility Switched Access Service (Cont'd)

21.8 Rates and Charges (Cont'd)

21.8.2 Switched Transport (Cont'd)

(A) Entrance Facilities (Cont'd)

(1) Voice Grade (Cont'd)

- Per Point of Termination
- Four Wire

	Monthly <u>Rates</u>	Nonrecurring <u>Charges</u>	
Florida			
Orlando MSA	\$140.00	\$165.00	
Tallahassee MSA	\$140.00	\$165.00	(D)
			(D)
Minnesota	N/A	N/A	
Nebraska	N/A	N/A	(D)
Nevada	\$38.00	\$240.00	
			(D)
			(D)
Oregon	N/A	N/A	(D)
			(D)
Washington	N/A	N/A	
Wyoming	N/A	N/A	(D)

Material deleted from this page now appears in Brightspeed Local Operating Companies Tariff F.C.C. NO. 9.

ISSUE DATE:
September 19, 2022

Issued Under Transmittal No. 125
 Vice President-Regulatory Operations
 100 CenturyLink Drive
 Monroe, Louisiana 71203

EFFECTIVE DATE:
October 4, 2022

ACCESS SERVICE

21. Pricing Flexibility Switched Access Service (Cont'd)

21.8 Rates and Charges (Cont'd)

21.8.2 Switched Transport (Cont'd)

(A) Entrance Facilities (Cont'd)

(2) DS1

- Per DS1

	Monthly Rates			Nonrecurring	
	Within	0 – 3	Over 3	Installation	
	<u>CO</u>	<u>Miles</u>	<u>Miles</u>	<u>Charge</u>	
<u>Zone 1</u>					
Florida					
Orlando MSA	\$128.00	\$230.00	\$295.00	\$700.00	(D)
Tallahassee MSA	\$128.00	\$240.00	\$300.00	\$700.00	(D)
Minnesota	N/A	N/A	N/A	N/A	(D)
Nebraska	N/A	N/A	N/A	N/A	(D)
Nevada	\$92.50	\$145.00	\$160.00	\$700.00	(D)
Oregon	N/A	N/A	N/A	N/A	(D)
Washington	N/A	N/A	N/A	N/A	(D)
Wyoming	N/A	N/A	N/A	N/A	(D)

Material deleted from this page now appears in Brightspeed Local Operating Companies Tariff F.C.C. NO. 9.

ISSUE DATE:
 September 19, 2022

Issued Under Transmittal No. 125
 Vice President-Regulatory Operations
 100 CenturyLink Drive
 Monroe, Louisiana 71203

EFFECTIVE DATE:
 October 4, 2022

ACCESS SERVICE

21. Pricing Flexibility Switched Access Service (Cont'd)

21.8 Rates and Charges (Cont'd)

21.8.2 Switched Transport (Cont'd)

(A) Entrance Facilities (Cont'd)

(2) DS1 (Cont'd)

- Per DS1

	Monthly Rates			Nonrecurring
	Within CO	0 – 3 Miles	Over 3 Miles	Installation Charge
<u>Zone 3</u>				
Florida				
Orlando MSA	\$145.67	\$315.00	\$385.00	\$700.00
Tallahassee MSA	\$145.67	\$325.00	\$390.00	\$700.00
Minnesota	N/A	N/A	N/A	N/A
Nebraska	N/A	N/A	N/A	N/A
Nevada	\$126.00	\$220.00	\$240.00	\$700.00
Oregon	N/A	N/A	N/A	N/A
Washington	N/A	N/A	N/A	N/A
Wyoming	N/A	N/A	N/A	N/A

(D)
(D)

(D)

(D)

(D)

(D)

(D)

(D)

Material deleted from this page now appears in Brightspeed Local Operating Companies Tariff F.C.C. NO. 9.

(N)
(N)

ISSUE DATE:
September 19, 2022

Issued Under Transmittal No. 125
 Vice President-Regulatory Operations
 100 CenturyLink Drive
 Monroe, Louisiana 71203

EFFECTIVE DATE:
October 4, 2022

ACCESS SERVICE

21. Pricing Flexibility Switched Access Service (Cont'd)21.8 Rates and Charges (Cont'd)21.8.2 Switched Transport (Cont'd)(A) Entrance Facilities (Cont'd)(3) DS3

- Per Point of Termination

Monthly Rates

	<u>Within CO</u>	<u>0 – 3 Miles</u>	<u>Over 3 Miles</u>	<u>Nonrecurring Installation Charge</u>	<u>Nonrecurring Rearrangement Charge</u>
<u>Zone 1</u>					
Florida					
Orlando MSA	\$638.00	\$1180.00	\$1,669.00	\$800.00	\$400.00
Tallahassee MSA	\$638.00	\$1180.00	\$1,669.00	\$800.00	\$400.00
Minnesota	N/A	N/A	N/A	N/A	N/A
Nebraska	N/A	N/A	N/A	N/A	N/A
Nevada	\$750.00	\$1420.00	\$1,800.00	\$800.00	\$400.00
Oregon	N/A	N/A	N/A	N/A	N/A
Washington	N/A	N/A	N/A	N/A	N/A
Wyoming	N/A	N/A	N/A	N/A	N/A

**Material deleted from this page now appears in Brightspeed Local Operating Companies Tariff
F.C.C. NO. 9.**

ISSUE DATE:
September 19, 2022

Issued Under Transmittal No. 125
Vice President-Regulatory Operations
100 CenturyLink Drive
Monroe, Louisiana 71203

EFFECTIVE DATE:
October 4, 2022

(D)

(D)

(D)

(D)

(D)

(D)

(D)

(D)

(N)

(N)

ACCESS SERVICE

21. Pricing Flexibility Switched Access Service (Cont'd)

21.8 Rates and Charges (Cont'd)

21.8.2 Switched Transport (Cont'd)

(A) Entrance Facilities (Cont'd)

(3) DS3 (Cont'd)

- Per Point of Termination

	<u>Monthly Rates</u>			Nonrecurring	Nonrecurring	
	<u>Within CO</u>	<u>0 – 3 Miles</u>	<u>Over 3 Miles</u>	<u>Installation Charge</u>	<u>Rearrangement Charge</u>	
<u>Zone 3</u>						
Florida						
Orlando MSA	\$704.00	\$1,580.00	\$2,530.00	\$800.00	\$400.00	(D)
Tallahassee MSA	\$704.00	\$1,580.00	\$2,530.00	\$800.00	\$400.00	(D)
Minnesota	N/A	N/A	N/A	N/A	N/A	(D)
Nebraska	N/A	N/A	N/A	N/A	N/A	(D)
Nevada	\$815.00	\$1,570.00	\$1,900.00	\$800.00	\$400.00	(D)
Oregon	N/A	N/A	N/A	N/A	N/A	(D)
Washington	N/A	N/A	N/A	N/A	N/A	(D)
Wyoming	N/A	N/A	N/A	N/A	N/A	(D)

Material deleted from this page now appears in Brightspeed Local Operating Companies Tariff F.C.C. NO. 9.

ISSUE DATE:
September 19, 2022

Issued Under Transmittal No. 125
 Vice President-Regulatory Operations
 100 CenturyLink Drive
 Monroe, Louisiana 71203

EFFECTIVE DATE:
October 4, 2022

ACCESS SERVICE

21. Pricing Flexibility Switched Access Service (Cont'd)

21.8 Rates and Charges (Cont'd)

21.8.2 Switched Transport (Cont'd)

(B) Direct-Trunked Transport

(1) Voice Grade

- Per Channel

	Monthly Rates		
	<u>Fixed</u>	<u>Per Mile</u>	
Florida			
Orlando MSA	\$79.00	\$3.75	(D)
Tallahassee MSA	\$75.00	\$5.00	(D)
Minnesota	N/A	N/A	(D)
Nebraska	N/A	N/A	
Nevada	\$24.00	\$0.50	(D)
			(D)
Oregon	N/A	N/A	(D)
			(D)
Washington	N/A	N/A	
Wyoming	N/A	N/A	

Material deleted from this page now appears in Brightspeed Local Operating Companies Tariff F.C.C. NO. 9.

ISSUE DATE:
 September 19, 2022

Issued Under Transmittal No. 125
 Vice President-Regulatory Operations
 100 CenturyLink Drive
 Monroe, Louisiana 71203

EFFECTIVE DATE:
 October 4, 2022

(D)
 (N)
 (N)

ACCESS SERVICE

21. Pricing Flexibility Switched Access Service (Cont'd)

21.8 Rates and Charges (Cont'd)

21.8.2 Switched Transport (Cont'd)

(B) Direct-Trunked Transport

(2) DS1

- Per DS1

	Monthly Rates		
	<u>Fixed</u>	<u>Per Mile</u>	
<u>Zone 1</u>			
Florida			
Orlando MSA	\$98.00	\$12.00	
Tallahassee MSA	\$98.00	\$12.00	(D)
			(D)
Minnesota	N/A	N/A	(D)
Nebraska	N/A	N/A	
Nevada	\$75.00	\$3.50	(D)
			(D)
Oregon	N/A	N/A	(D)
			(D)
Washington	N/A	N/A	
Wyoming	N/A	N/A	(D)
			(N)
			(N)

Material deleted from this page now appears in Brightspeed Local Operating Companies Tariff F.C.C. NO. 9.

ISSUE DATE:
 September 19, 2022

Issued Under Transmittal No. 125
 Vice President-Regulatory Operations
 100 CenturyLink Drive
 Monroe, Louisiana 71203

EFFECTIVE DATE:
 October 4, 2022

ACCESS SERVICE

21. Pricing Flexibility Switched Access Service (Cont'd)

21.8 Rates and Charges (Cont'd)

21.8.2 Switched Transport (Cont'd)

(B) Direct-Trunked Transport (Cont'd)

(2) DS1 (Cont'd)

- Per DS1

		Monthly Rates		
		<u>Fixed</u>	<u>Per Mile</u>	
<u>Zone 2</u>				
Florida				
	Orlando MSA	\$105.00	\$14.50	
	Tallahassee MSA	\$105.00	\$14.50	(D)
				(D)
	Minnesota	N/A	N/A	(D)
	Nebraska	N/A	N/A	
	Nevada	\$80.00	\$4.00	(D)
				(D)
	Oregon	N/A	N/A	(D)
				(D)
	Washington	N/A	N/A	
	Wyoming	N/A	N/A	(D)
				(N)
				(N)

Material deleted from this page now appears in Brightspeed Local Operating Companies Tariff F.C.C. NO. 9.

ISSUE DATE:
 September 19, 2022

Issued Under Transmittal No. 125
 Vice President-Regulatory Operations
 100 CenturyLink Drive
 Monroe, Louisiana 71203

EFFECTIVE DATE:
 October 4, 2022

ACCESS SERVICE

21. Pricing Flexibility Switched Access Service (Cont'd)

21.8 Rates and Charges (Cont'd)

21.8.2 Switched Transport (Cont'd)

(B) Direct-Trunked Transport (Cont'd)

(2) DS1 (Cont'd)

- Per DS1

		Monthly Rates		
		<u>Fixed</u>	<u>Per Mile</u>	
<u>Zone 3</u>				
Florida				
	Orlando MSA	\$120.00	\$20.00	
	Tallahassee MSA	\$120.00	\$20.00	(D)
				(D)
	Minnesota	N/A	N/A	(D)
	Nebraska	N/A	N/A	
	Nevada	\$85.00	\$4.50	(D)
				(D)
	Oregon	N/A	N/A	(D)
				(D)
	Washington	N/A	N/A	
	Wyoming	N/A	N/A	(D)
				(N)
				(N)

Material deleted from this page now appears in Brightspeed Local Operating Companies Tariff F.C.C. NO. 9.

ISSUE DATE:
 September 19, 2022

Issued Under Transmittal No. 125
 Vice President-Regulatory Operations
 100 CenturyLink Drive
 Monroe, Louisiana 71203

EFFECTIVE DATE:
 October 4, 2022

ACCESS SERVICE

21. Pricing Flexibility Switched Access Service (Cont'd)

21.8 Rates and Charges (Cont'd)

21.8.2 Switched Transport (Cont'd)

(B) Direct-Trunked Transport (Cont'd)

(3) DS3

- Per DS3

	Monthly Rates		
	<u>Fixed</u>	<u>Per Mile</u>	
<u>Zone 1</u>			
Florida			
Orlando MSA	\$660.00	\$89.00	
Tallahassee MSA	\$660.00	\$89.00	(D)
			(D)
Minnesota	N/A	N/A	(D)
Nebraska	N/A	N/A	
Nevada	\$515.00	\$92.00	(D)
			(D)
			(D)
Oregon	N/A	N/A	(D)
			(D)
			(D)
Washington	N/A	N/A	
Wyoming	N/A	N/A	(D)
			(N)
			(N)

Material deleted from this page now appears in Brightspeed Local Operating Companies Tariff F.C.C. NO. 9.

ISSUE DATE:
 September 19, 2022

Issued Under Transmittal No. 125
 Vice President-Regulatory Operations
 100 CenturyLink Drive
 Monroe, Louisiana 71203

EFFECTIVE DATE:
 October 4, 2022

ACCESS SERVICE

21. Pricing Flexibility Switched Access Service (Cont'd)

21.8 Rates and Charges (Cont'd)

21.8.2 Switched Transport (Cont'd)

(B) Direct-Trunked Transport (Cont'd)

(3) DS3 (Cont'd)

- Per DS3

		Monthly Rates		
		<u>Fixed</u>	<u>Per Mile</u>	
<u>Zone 2</u>				
Florida				
	Orlando MSA	\$795.00	\$110.00	
	Tallahassee MSA	\$795.00	\$110.00	(D)
				(D)
	Minnesota	N/A	N/A	(D)
	Nebraska	N/A	N/A	
	Nevada	\$555.00	\$105.00	(D)
				(D)
	Oregon	N/A	N/A	(D)
				(D)
	Washington	N/A	N/A	
	Wyoming	N/A	N/A	(D)
				(N)
				(N)

Material deleted from this page now appears in Brightspeed Local Operating Companies Tariff F.C.C. NO. 9.

ISSUE DATE:
 September 19, 2022

Issued Under Transmittal No. 125
 Vice President-Regulatory Operations
 100 CenturyLink Drive
 Monroe, Louisiana 71203

EFFECTIVE DATE:
 October 4, 2022

ACCESS SERVICE

21. Pricing Flexibility Switched Access Service (Cont'd)

21.8 Rates and Charges (Cont'd)

21.8.2 Switched Transport (Cont'd)

(B) Direct-Trunked Transport (Cont'd)

(3) DS3 (Cont'd)

- Per DS3

		Monthly Rates		
		<u>Fixed</u>	<u>Per Mile</u>	
<u>Zone 3</u>				
Florida				
	Orlando MSA	\$995.00	\$150.00	
	Tallahassee MSA	\$995.00	\$150.00	(D)
				(D)
	Minnesota	N/A	N/A	(D)
	Nebraska	N/A	N/A	
	Nevada	\$575.00	\$125.00	(D)
				(D)
	Oregon	N/A	N/A	(D)
				(D)
	Washington	N/A	N/A	
	Wyoming	N/A	N/A	(D)
				(N)
				(N)

Material deleted from this page now appears in Brightspeed Local Operating Companies Tariff F.C.C. NO. 9.

ISSUE DATE:
 September 19, 2022

Issued Under Transmittal No. 125
 Vice President-Regulatory Operations
 100 CenturyLink Drive
 Monroe, Louisiana 71203

EFFECTIVE DATE:
 October 4, 2022

ACCESS SERVICE

21. Pricing Flexibility Switched Access Service (Cont'd)

21.8 Rates and Charges (Cont'd)

21.8.2 Switched Transport (Cont'd)

(C) Tandem-Switched Transport

(1) Dedicated Trunk Port

(a) Per DS0

	<u>Monthly Rates</u>	
Florida		
Orlando MSA	\$7.50	(D)
Tallahassee MSA	\$7.50	(D)
Minnesota	N/A	(D)
Nebraska	N/A	
Nevada	\$6.00	(D)
Oregon	N/A	(D)
Washington	N/A	(D)
Wyoming	N/A	(D)

Material deleted from this page now appears in Brightspeed Local Operating Companies Tariff F.C.C. NO. 9.

ISSUE DATE:
 September 19, 2022

Issued Under Transmittal No. 125
 Vice President-Regulatory Operations
 100 CenturyLink Drive
 Monroe, Louisiana 71203

EFFECTIVE DATE:
 October 4, 2022

ACCESS SERVICE

21. Pricing Flexibility Switched Access Service (Cont'd)

21.8 Rates and Charges (Cont'd)

21.8.2 Switched Transport (Cont'd)

(C) Tandem-Switched Transport (Cont'd)

(1) Dedicated Trunk Port (Cont'd)

(b) Per DS1

	<u>Monthly Rates</u>	
Florida		
Orlando MSA	\$160.00	(D)
Tallahassee MSA	\$160.00	(D)
Minnesota	N/A	(D)
Nebraska	N/A	
Nevada	\$145.00	(D)
		(D)
Oregon	N/A	(D)
		(D)
Washington	N/A	
Wyoming	N/A	
		(D)
		(N)
		(N)

Material deleted from this page now appears in Brightspeed Local Operating Companies Tariff F.C.C. NO. 9.

ISSUE DATE:
 September 19, 2022

Issued Under Transmittal No. 125
 Vice President-Regulatory Operations
 100 CenturyLink Drive
 Monroe, Louisiana 71203

EFFECTIVE DATE:
 October 4, 2022

ACCESS SERVICE

21. Pricing Flexibility Switched Access Service (Cont'd)

21.8 Rates and Charges (Cont'd)

21.8.2 Switched Transport (Cont'd)

(D) Optional Features

(1) Multiplexing

(a) DS1 to Voice Grade

	<u>Monthly</u> <u>Rates</u>	<u>Nonrecurring</u> <u>Charges</u>
<u>Zone 1</u>		
<u>Florida</u>		
Orlando MSA	\$320.00	\$150.00
Tallahassee MSA	\$320.00	\$150.00
Minnesota	N/A	N/A
Nebraska	N/A	N/A
Nevada	\$238.20	\$125.00
Oregon	N/A	N/A
Washington	N/A	N/A
Wyoming	N/A	N/A

(D)
 (D)
 (D)
 (D)
 (D)
 (D)
 (D)
 (D)
 (D)
 (D)

Material deleted from this page now appears in Brightspeed Local Operating Companies Tariff F.C.C. NO. 9.

(N)
 (N)

ISSUE DATE:
 September 19, 2022

Issued Under Transmittal No. 125
 Vice President-Regulatory Operations
 100 CenturyLink Drive
 Monroe, Louisiana 71203

EFFECTIVE DATE:
 October 4, 2022

ACCESS SERVICE

21. Pricing Flexibility Switched Access Service (Cont'd)

21.8 Rates and Charges (Cont'd)

21.8.2 Switched Transport (Cont'd)

(D) Optional Features (Cont'd)

(1) Multiplexing (Cont'd)

(a) DS1 to Voice Grade (Cont'd)

	Monthly <u>Rates</u>	Nonrecurring <u>Charges</u>
<u>Zone 2</u>		
Florida		
Orlando MSA	\$385.00	\$150.00
Tallahassee MSA	\$385.00	\$150.00
Minnesota	N/A	N/A
Nebraska	N/A	N/A
Nevada	\$275.00	\$125.00
Oregon	N/A	N/A
Washington	N/A	N/A
Wyoming	N/A	N/A

(D)
 (D)
 (D)
 (D)
 (D)
 (D)
 (D)
 (D)
 (D)
 (D)
 (D)
 (D)
 (D)

Material deleted from this page now appears in Brightspeed Local Operating Companies Tariff F.C.C. NO. 9.

ISSUE DATE:
 September 19, 2022

Issued Under Transmittal No. 125
 Vice President-Regulatory Operations
 100 CenturyLink Drive
 Monroe, Louisiana 71203

EFFECTIVE DATE:
 October 4, 2022

ACCESS SERVICE

21. Pricing Flexibility Switched Access Service (Cont'd)

21.8 Rates and Charges (Cont'd)

21.8.2 Switched Transport (Cont'd)

(D) Optional Features (Cont'd)

(1) Multiplexing (Cont'd)

(a) DS1 to Voice Grade (Cont'd)

	<u>Monthly</u> <u>Rates</u>	<u>Nonrecurring</u> <u>Charges</u>
<u>Zone 3</u>		
Florida		
Orlando MSA	\$400.00	\$150.00
Tallahassee MSA	\$400.00	\$150.00
Minnesota	N/A	N/A
Nebraska	N/A	N/A
Nevada	\$320.00	\$125.00
Oregon	N/A	N/A
Washington	N/A	N/A
Wyoming	N/A	N/A

(D)
(D)

(D)

(D)

(D)

(D)

(D)

Material deleted from this page now appears in Brightspeed Local Operating Companies Tariff F.C.C. NO. 9.

(N)
(N)

ISSUE DATE:
September 19, 2022

Issued Under Transmittal No. 125
Vice President-Regulatory Operations
100 CenturyLink Drive
Monroe, Louisiana 71203

EFFECTIVE DATE:
October 4, 2022

ACCESS SERVICE

21. Pricing Flexibility Switched Access Service (Cont'd)

21.8 Rates and Charges (Cont'd)

21.8.2 Switched Transport (Cont'd)

(D) Optional Features (Cont'd)

(1) Multiplexing (Cont'd)

(b) DS3 to DS1 (Cont'd)

	<u>Monthly Rates</u>	<u>Nonrecurring Charges</u>
<u>Zone 2</u>		
Florida		
Orlando MSA	\$460.00	\$100.00
Tallahassee MSA	\$460.00	\$100.00
Minnesota	N/A	N/A
Nebraska	N/A	N/A
Nevada	\$350.00	\$99.00
Oregon	N/A	N/A
Washington	N/A	N/A
Wyoming	N/A	N/A

(D)
 (D)
 (D)
 (D)
 (D)
 (D)
 (D)
 (D)
 (D)
 (D)
 (D)

Material deleted from this page now appears in Brightspeed Local Operating Companies Tariff F.C.C. NO. 9.

ACCESS SERVICE

21. Pricing Flexibility Switched Access Service (Cont'd)

21.8 Rates and Charges (Cont'd)

21.8.2 Switched Transport (Cont'd)

(D) Optional Features (Cont'd)

(1) Multiplexing (Cont'd)

(b) DS3 to DS1 (Cont'd)

	<u>Monthly Rates</u>	<u>Nonrecurring Charges</u>	
<u>one 3</u>			
Florida			
Orlando MSA	\$575.00	\$100.00	
Tallahassee MSA	\$575.00	\$100.00	(D)
			(D)
Minnesota	N/A	N/A	(D)
Nebraska	N/A	N/A	
Nevada	\$365.00	\$99.00	(D)
			(D)
			(D)
Oregon	N/A	N/A	(D)
			(D)
Washington	N/A	N/A	
Wyoming	N/A	N/A	(D)
			(N)
			(N)

Material deleted from this page now appears in Brightspeed Local Operating Companies Tariff F.C.C. NO. 9.

ISSUE DATE:
 September 19, 2022

Issued Under Transmittal No. 125
 Vice President-Regulatory Operations
 100 CenturyLink Drive
 Monroe, Louisiana 71203

EFFECTIVE DATE:
 October 4, 2022

ACCESS SERVICE

21. Pricing Flexibility Switched Access Service (Cont'd)

21.8 Rates and Charges (Cont'd)

21.8.2 Switched Transport (Cont'd)

(F) Installation *

- Per Line or Trunk

	Nonrecurring Charge	
Florida		
Orlando MSA	\$15.50	(D)
Tallahassee MSA	\$15.50	(D)
Minnesota	N/A	(D)
Nebraska	N/A	
Nevada	\$22.00	(D)
Oregon	N/A	(D)
Washington	N/A	(D)
Wyoming	N/A	(D)

* This flat rated charge was calculated based upon a 50/50 split between originating and terminating. The FCC in their FCC 11-161 ICC Transformation order in Section 51.907(D)(1) allowed Price Cap Carriers to use an equal split to divide the charge between originating and terminating elements. When the terminating portion of the rate is reduced and then combined with the originating portion of the rate, a single flat rate is generated for billing purposes.

Material deleted from this page now appears in Brightspeed Local Operating Companies Tariff F.C.C. NO. 9. (N)
 (N)

ACCESS SERVICE

21. Pricing Flexibility Switched Access Service (Cont'd)

21.8 Rates and Charges (Cont'd)

21.8.2 Switched Transport (Cont'd)

(G) CCS/SS7 Interconnection Service

(1) Channel Termination

- Per Point of Termination
- 56.0 kbps

	Monthly <u>Rates</u>	Nonrecurring <u>Charges</u>
Florida		
Orlando MSA	\$175.00	\$275.00
Tallahassee MSA	\$175.00	\$275.00
Minnesota	N/A	N/A
Nevada	\$81.00	\$330.00
Oregon	N/A	N/A
Washington	N/A	N/A

(D)
 (D)
 (D)
 (D)
 (D)
 (D)

Material deleted from this page now appears in Brightspeed Local Operating Companies Tariff F.C.C. NO. 9.

(N)
 (N)

ISSUE DATE:
 September 19, 2022

Issued Under Transmittal No. 125
 Vice President-Regulatory Operations
 100 CenturyLink Drive
 Monroe, Louisiana 71203

EFFECTIVE DATE:
 October 4, 2022

ACCESS SERVICE

21. Pricing Flexibility Switched Access Service (Cont'd)

21.8 Rates and Charges (Cont'd)

21.8.2 Switched Transport (Cont'd)

(G) CCS/SS7 Interconnection Service (Cont'd)

(1) Channel Termination (Cont'd)

- Per Point of Termination
- 1.544 Mbps

	Monthly <u>Rates</u>	Nonrecurring <u>Charges</u>
Florida		
Orlando MSA	\$125.00	\$395.00
Tallahassee MSA	\$125.00	\$395.00
Minnesota	N/A	N/A
Nevada	\$120.00	\$385.00
Oregon	N/A	N/A
Washington	N/A	N/A

(D)
 (D)
 (D)
 (D)
 (D)
 (D)

Material deleted from this page now appears in Brightspeed Local Operating Companies Tariff F.C.C. NO. 9.

(N)
 (N)

ISSUE DATE:
 September 19, 2022

Issued Under Transmittal No. 125
 Vice President-Regulatory Operations
 100 CenturyLink Drive
 Monroe, Louisiana 71203

EFFECTIVE DATE:
 October 4, 2022

ACCESS SERVICE

21. Pricing Flexibility Switched Access Service (Cont'd)

21.8 Rates and Charges (Cont'd)

21.8.2 Switched Transport (Cont'd)

(G) CCS/SS7 Interconnection Service (Cont'd)

(2) Channel Mileage

(a) 56.0 Kbps

	Monthly Rates		
	<u>Fixed</u>	<u>Per Mile</u>	
Florida			
Orlando MSA	\$94.00	\$4.75	
Tallahassee MSA	\$94.00	\$4.75	
Minnesota	N/A	N/A	(D)
Nevada	\$60.00	\$0.50	(D)
			(D)
Oregon	N/A	N/A	(D)
			(D)
Washington	N/A	N/A	(D)

Material deleted from this page now appears in Brightspeed Local Operating Companies Tariff F.C.C. NO. 9.

(D)
(N)
(N)

ISSUE DATE:
 September 19, 2022

Issued Under Transmittal No. 125
 Vice President-Regulatory Operations
 100 CenturyLink Drive
 Monroe, Louisiana 71203

EFFECTIVE DATE:
 October 4, 2022

ACCESS SERVICE

21. Pricing Flexibility Switched Access Service (Cont'd)

21.8 Rates and Charges (Cont'd)

21.8.2 Switched Transport (Cont'd)

(G) CCS/SS7 Interconnection Service (Cont'd)

(2) Channel Mileage (Cont'd)

(b) 1.544 Mbps

	Monthly Rates		
	<u>Fixed</u>	<u>Per Mile</u>	
Florida			
Orlando MSA	\$42.00	\$5.25	
Tallahassee MSA	\$42.00	\$5.25	
Minnesota	N/A	N/A	(D)
Nevada	\$78.00	\$2.20	(D)
			(D)
Oregon	N/A	N/A	(D)
			(D)
Washington	N/A	N/A	(D)

Material deleted from this page now appears in Brightspeed Local Operating Companies Tariff F.C.C. NO. 9.

ISSUE DATE:
 September 19, 2022

Issued Under Transmittal No. 125
 Vice President-Regulatory Operations
 100 CenturyLink Drive
 Monroe, Louisiana 71203

EFFECTIVE DATE:
 October 4, 2022

(D)
 (N)
 (N)

ACCESS SERVICE

21. Pricing Flexibility Switched Access Service (Cont'd)

21.8 Rates and Charges (Cont'd)

21.8.2 Switched Transport (Cont'd)

(G) CCS/SS7 Interconnection Service (Cont'd)

(3) Multiplexing

DS1 to DS0 (required with 1.544 Mbps
 - Per Arrangement

	Monthly <u>Rates</u>	Nonrecurring <u>Charges</u>
Florida		
Orlando MSA	\$275.00	\$165.00
Tallahassee MSA	\$275.00	\$165.00
Minnesota	N/A	N/A
Nevada	\$295.00	\$190.00
Oregon	N/A	N/A
Washington	N/A	N/A

(D)
 (D)
 (D)
 (D)
 (D)
 (D)

Material deleted from this page now appears in Brightspeed Local Operating Companies Tariff F.C.C. NO. 9.

(N)
 (N)

ISSUE DATE:
 September 19, 2022

Issued Under Transmittal No. 125
 Vice President-Regulatory Operations
 100 CenturyLink Drive
 Monroe, Louisiana 71203

EFFECTIVE DATE:
 October 4, 2022

ACCESS SERVICE

21. Pricing Flexibility Switched Access Service (Cont'd)

21.8 Rates and Charges (Cont'd)

21.8.2 Switched Transport (Cont'd)

(G) CCS/SS7 Interconnection Service (Cont'd)

(4) STP Port Charge

- Per Port

	<u>Monthly Rates</u>	<u>Nonrecurring Charges</u>	
Florida			
Orlando MSA	\$475.00	None	
Tallahassee MSA	\$475.00	None	
Minnesota	N/A	N/A	
Nevada	\$495.00	None	(D)
			(D)
Oregon	N/A	N/A	(D)
			(D)
Washington	N/A	N/A	(D)

Material deleted from this page now appears in Brightspeed Local Operating Companies Tariff F.C.C. NO. 9.

ISSUE DATE:
 September 19, 2022

Issued Under Transmittal No. 125
 Vice President-Regulatory Operations
 100 CenturyLink Drive
 Monroe, Louisiana 71203

EFFECTIVE DATE:
 October 4, 2022

(D)
 (N)
 (N)

ACCESS SERVICE

21. Pricing Flexibility Switched Access Service (Cont'd)

21.8 Rates and Charges (Cont'd)

21.8.2 Switched Transport (Cont'd)

(G) CCS/SS7 Interconnection Service (Cont'd)

(5) Originating Point Code (OPC)

- Per OPC, Per Service, Added or Changed, Per STP Pair

	Nonrecurring <u>Charge</u>	
Florida		
Orlando MSA	\$25.00	
Tallahassee MSA	\$25.00	
Minnesota	N/A	(D)
Nevada	\$24.00	(D)
		(D)
Oregon	N/A	(D)
		(D)
Washington	N/A	(D)

Material deleted from this page now appears in Brightspeed Local Operating Companies Tariff F.C.C. NO. 9.

(D)
(N)
(N)

ISSUE DATE:
September 19, 2022

Issued Under Transmittal No. 125
 Vice President-Regulatory Operations
 100 CenturyLink Drive
 Monroe, Louisiana 71203

EFFECTIVE DATE:
October 4, 2022

ACCESS SERVICE

21. Pricing Flexibility Switched Access Service (Cont'd)

21.8 Rates and Charges (Cont'd)

21.8.2 Switched Transport (Cont'd)

(G) CCS/SS7 Interconnection Service (Cont'd)

(6) Global Title Address Translation

- Per Service, Added or Changed, Per STP Pair

	Nonrecurring <u>Charge</u>	
Florida		
Orlando MSA	\$12.25	
Tallahassee MSA	\$12.25	
Minnesota	N/A	(D)
Nevada	\$12.00	(D)
		(D)
Oregon	N/A	(D)
		(D)
Washington	N/A	(D)

Material deleted from this page now appears in Brightspeed Local Operating Companies Tariff F.C.C. NO. 9.

(D)
(N)
(N)

ISSUE DATE:
September 19, 2022

Issued Under Transmittal No. 125
 Vice President-Regulatory Operations
 100 CenturyLink Drive
 Monroe, Louisiana 71203

EFFECTIVE DATE:
October 4, 2022

ACCESS SERVICE

21. Pricing Flexibility Switched Access Service (Cont'd)

21.8 Rates and Charges (Cont'd)

21.8.3 End Office Switching

(H) Dedicated Trunk Port

(1) Per DS0

	Monthly <u>Rates</u> *	Originating <u>Portion</u>	
Florida			
Orlando MSA	\$3.75	\$3.75	(D)
Tallahassee MSA	\$3.75	\$3.75	(D)
Minnesota	N/A	N/A	(D)
Nebraska	N/A	N/A	
Nevada	\$3.00	\$3.00	(D)
Oregon	N/A	N/A	(D)
Washington	N/A	N/A	(D)
Wyoming	N/A	N/A	(D)

* The End Office Dedicated Trunk Port rate was calculated assuming a 50/50 split of the originating and terminating traffic using this flat-rated port. The FCC in their FCC 11-161 ICC Transformation order in section 51.907(d)(1) allowed Price Cap Carriers to use an equal split to divide the charge between originating and terminating elements. The terminating portion of the rate was reduced and then combined with the originating portion of the rate for a single flat rate.

Material deleted from this page now appears in Brightspeed Local Operating Companies Tariff F.C.C. NO. 9. (N)
 (N)

ISSUE DATE:
 September 19, 2022

Issued Under Transmittal No. 125
 Vice President-Regulatory Operations
 100 CenturyLink Drive
 Monroe, Louisiana 71203

EFFECTIVE DATE:
 October 4, 2022

ACCESS SERVICE

21. Pricing Flexibility Switched Access Service (Cont'd)

21.8 Rates and Charges (Cont'd)

21.8.3 End Office Switching

(H) Dedicated Trunk Port

(2) Per DS1

	Monthly <u>Rates</u> *	Originating <u>Portion</u>	
Florida			
Orlando MSA	\$80.00	\$80.00	(D)
Tallahassee MSA	\$80.00	\$80.00	(D)
Minnesota	N/A	N/A	(D)
Nebraska	N/A	N/A	(D)
Nevada	\$72.50	\$72.50	(D)
Oregon	N/A	N/A	(D)
Washington	N/A	N/A	(D)
Wyoming	N/A	N/A	(D)

* The End Office Dedicated Trunk Port rate was calculated assuming a 50/50 split of the originating and terminating traffic using this flat-rated port. The FCC in their FCC 11-161 ICC Transformation order in section 51.907(D)(1) allowed Price Cap Carriers to use an equal split to divide the charge between originating and terminating elements. The terminating portion of the rate was reduced and then combined with the originating portion of the rate for a single flat rate.

Material deleted from this page now appears in Brightspeed Local Operating Companies Tariff F.C.C. NO. 9. (N)
 (N)

ISSUE DATE:
 September 19, 2022

Issued Under Transmittal No. 125
 Vice President-Regulatory Operations
 100 CenturyLink Drive
 Monroe, Louisiana 71203

EFFECTIVE DATE:
 October 4, 2022

ACCESS SERVICE

22. Reserved for Future Use

(C)

(D)

(D)

ISSUE DATE:
October 17, 2017

Issued Under Transmittal No. 96
Vice President-Regulatory Operations
100 CenturyLink Drive
Monroe, Louisiana 71203

EFFECTIVE DATE:
November 1, 2017

ACCESS SERVICE

22. Reserved for Future Use (Cont'd)

(C)

(D)

(D)

ISSUE DATE:
October 17, 2017

Issued Under Transmittal No. 96
Vice President-Regulatory Operations
100 CenturyLink Drive
Monroe, Louisiana 71203

EFFECTIVE DATE:
November 1, 2017

ACCESS SERVICE

22. Reserved for Future Use (Cont'd)

(C)

(D)

(D)

ISSUE DATE:
October 17, 2017

Issued Under Transmittal No. 96
Vice President-Regulatory Operations
100 CenturyLink Drive
Monroe, Louisiana 71203

EFFECTIVE DATE:
November 1, 2017

ACCESS SERVICE

22. Reserved for Future Use (Cont'd)

(C)

(D)

(D)

ISSUE DATE:
October 17, 2017

Issued Under Transmittal No. 96
Vice President-Regulatory Operations
100 CenturyLink Drive
Monroe, Louisiana 71203

EFFECTIVE DATE:
November 1, 2017

ACCESS SERVICE

22. Reserved for Future Use (Cont'd)

(C)

(D)

(D)

ISSUE DATE:
October 17, 2017

Issued Under Transmittal No. 96
Vice President-Regulatory Operations
100 CenturyLink Drive
Monroe, Louisiana 71203

EFFECTIVE DATE:
November 1, 2017

ACCESS SERVICE

22. Reserved for Future Use (Cont'd)

(C)

(D)

(D)

ISSUE DATE:
October 17, 2017

Issued Under Transmittal No. 96
Vice President-Regulatory Operations
100 CenturyLink Drive
Monroe, Louisiana 71203

EFFECTIVE DATE:
November 1, 2017

ACCESS SERVICE

22. Reserved for Future Use (Cont'd)

(C)

(D)

(D)

ISSUE DATE:
October 17, 2017

Issued Under Transmittal No. 96
Vice President-Regulatory Operations
100 CenturyLink Drive
Monroe, Louisiana 71203

EFFECTIVE DATE:
November 1, 2017

ACCESS SERVICE

22. Reserved for Future Use (Cont'd)

(C)

(D)

(D)

ISSUE DATE:
October 17, 2017

Issued Under Transmittal No. 96
Vice President-Regulatory Operations
100 CenturyLink Drive
Monroe, Louisiana 71203

EFFECTIVE DATE:
November 1, 2017

ACCESS SERVICE

22. Reserved for Future Use (Cont'd)

(C)

(D)

(D)

ISSUE DATE:
October 17, 2017

Issued Under Transmittal No. 96
Vice President-Regulatory Operations
100 CenturyLink Drive
Monroe, Louisiana 71203

EFFECTIVE DATE:
November 1, 2017

ACCESS SERVICE

22. Reserved for Future Use (Cont'd)

(C)

(D)

(D)

ISSUE DATE:
October 17, 2017

Issued Under Transmittal No. 96
Vice President-Regulatory Operations
100 CenturyLink Drive
Monroe, Louisiana 71203

EFFECTIVE DATE:
November 1, 2017

ACCESS SERVICE

22. Reserved for Future Use (Cont'd)

(C)

(D)

(D)

ISSUE DATE:
October 17, 2017

Issued Under Transmittal No. 96
Vice President-Regulatory Operations
100 CenturyLink Drive
Monroe, Louisiana 71203

EFFECTIVE DATE:
November 1, 2017

ACCESS SERVICE

22. Reserved for Future Use (Cont'd)

(C)

(D)

(D)

ISSUE DATE:
October 17, 2017

Issued Under Transmittal No. 96
Vice President-Regulatory Operations
100 CenturyLink Drive
Monroe, Louisiana 71203

EFFECTIVE DATE:
November 1, 2017

ACCESS SERVICE

22. Reserved for Future Use (Cont'd)

(C)

(D)

(D)

ISSUE DATE:
October 17, 2017

Issued Under Transmittal No. 96
Vice President-Regulatory Operations
100 CenturyLink Drive
Monroe, Louisiana 71203

EFFECTIVE DATE:
November 1, 2017

ACCESS SERVICE

22. Reserved for Future Use (Cont'd)

(C)

(D)

(D)

(1) The CenturyLink services previously identified on this page are no longer offered under tariff. Effective March 13, 2015 the Commission granted forbearance from dominant carrier regulation of these services. http://transition.fcc.gov/Daily_Releases/Daily_Business/2015/db0316/DOC-332526A1.pdf
The rates, terms and conditions associated with these services are now available at:
<http://www.centurylink.com/Pages/AboutUs/Legal/Tariffs/displayTariffLandingPage.html>

ISSUE DATE:
April 16, 2015

Issued Under Transmittal No. 69
Vice President-Regulatory Operations
100 CenturyLink Drive
Monroe, Louisiana 71203

EFFECTIVE DATE:
May 1, 2015

ACCESS SERVICE

22. Reserved for Future Use (Cont'd)

(C)

(D)

(D)

(1) The CenturyLink services previously identified on this page are no longer offered under tariff. Effective March 13, 2015 the Commission granted forbearance from dominant carrier regulation of these services. http://transition.fcc.gov/Daily_Releases/Daily_Business/2015/db0316/DOC-332526A1.pdf
The rates, terms and conditions associated with these services are now available at:
<http://www.centurylink.com/Pages/AboutUs/Legal/Tariffs/displayTariffLandingPage.html>

ISSUE DATE:
April 16, 2015

Issued Under Transmittal No. 69
Vice President-Regulatory Operations
100 CenturyLink Drive
Monroe, Louisiana 71203

EFFECTIVE DATE:
May 1, 2015

ACCESS SERVICE

22. Reserved for Future Use (Cont'd)

(C)

(D)

(D)

(1) The CenturyLink services previously identified on this page are no longer offered under tariff. Effective March 13, 2015 the Commission granted forbearance from dominant carrier regulation of these services. http://transition.fcc.gov/Daily_Releases/Daily_Business/2015/db0316/DOC-332526A1.pdf
The rates, terms and conditions associated with these services are now available at:
<http://www.centurylink.com/Pages/AboutUs/Legal/Tariffs/displayTariffLandingPage.html>

ISSUE DATE:
April 16, 2015

Issued Under Transmittal No. 69
Vice President-Regulatory Operations
100 CenturyLink Drive
Monroe, Louisiana 71203

EFFECTIVE DATE:
May 1, 2015

ACCESS SERVICE

22. Reserved for Future Use (Cont'd)

(C)

(D)

(D)

(1) The CenturyLink services previously identified on this page are no longer offered under tariff. Effective March 13, 2015 the Commission granted forbearance from dominant carrier regulation of these services. http://transition.fcc.gov/Daily_Releases/Daily_Business/2015/db0316/DOC-332526A1.pdf
The rates, terms and conditions associated with these services are now available at:
<http://www.centurylink.com/Pages/AboutUs/Legal/Tariffs/displayTariffLandingPage.html>

ISSUE DATE:
April 16, 2015

Issued Under Transmittal No. 69
Vice President-Regulatory Operations
100 CenturyLink Drive
Monroe, Louisiana 71203

EFFECTIVE DATE:
May 1, 2015

ACCESS SERVICE

22. Reserved for Future Use (Cont'd)

(C)

(D)

(D)

(1) The CenturyLink services previously identified on this page are no longer offered under tariff. Effective March 13, 2015 the Commission granted forbearance from dominant carrier regulation of these services. http://transition.fcc.gov/Daily_Releases/Daily_Business/2015/db0316/DOC-332526A1.pdf
The rates, terms and conditions associated with these services are now available at:
<http://www.centurylink.com/Pages/AboutUs/Legal/Tariffs/displayTariffLandingPage.html>

ISSUE DATE:
April 16, 2015

Issued Under Transmittal No. 69
Vice President-Regulatory Operations
100 CenturyLink Drive
Monroe, Louisiana 71203

EFFECTIVE DATE:
May 1, 2015

ACCESS SERVICE

22. Reserved for Future Use (Cont'd)

(C)

(D)

(D)

(1) The CenturyLink services previously identified on this page are no longer offered under tariff. Effective March 13, 2015 the Commission granted forbearance from dominant carrier regulation of these services. http://transition.fcc.gov/Daily_Releases/Daily_Business/2015/db0316/DOC-332526A1.pdf
The rates, terms and conditions associated with these services are now available at:
<http://www.centurylink.com/Pages/AboutUs/Legal/Tariffs/displayTariffLandingPage.html>

ISSUE DATE:
April 16, 2015

Issued Under Transmittal No. 69
Vice President-Regulatory Operations
100 CenturyLink Drive
Monroe, Louisiana 71203

EFFECTIVE DATE:
May 1, 2015

ACCESS SERVICE

22. Reserved for Future Use (Cont'd)

(C)

(D)

(D)

(1) The CenturyLink services previously identified on this page are no longer offered under tariff. Effective March 13, 2015 the Commission granted forbearance from dominant carrier regulation of these services. http://transition.fcc.gov/Daily_Releases/Daily_Business/2015/db0316/DOC-332526A1.pdf
The rates, terms and conditions associated with these services are now available at:
<http://www.centurylink.com/Pages/AboutUs/Legal/Tariffs/displayTariffLandingPage.html>

ISSUE DATE:
April 16, 2015

Issued Under Transmittal No. 69
Vice President-Regulatory Operations
100 CenturyLink Drive
Monroe, Louisiana 71203

EFFECTIVE DATE:
May 1, 2015

ACCESS SERVICE

22. Reserved for Future Use (Cont'd)

(C)

(D)

(D)

ISSUE DATE:
October 17, 2017

Issued Under Transmittal No. 96
Vice President-Regulatory Operations
100 CenturyLink Drive
Monroe, Louisiana 71203

EFFECTIVE DATE:
November 1, 2017

ACCESS SERVICE

22. Reserved for Future Use (Cont'd)

(C)

(D)

(D)

ISSUE DATE:
October 17, 2017

Issued Under Transmittal No. 96
Vice President-Regulatory Operations
100 CenturyLink Drive
Monroe, Louisiana 71203

EFFECTIVE DATE:
November 1, 2017

ACCESS SERVICE

22. Reserved for Future Use (Cont'd)

(C)

(D)

(D)

ISSUE DATE:
October 17, 2017

Issued Under Transmittal No. 96
Vice President-Regulatory Operations
100 CenturyLink Drive
Monroe, Louisiana 71203

EFFECTIVE DATE:
November 1, 2017

ACCESS SERVICE

22. Reserved for Future Use (Cont'd)

(C)

(D)

(D)

ISSUE DATE:
October 17, 2017

Issued Under Transmittal No. 96
Vice President-Regulatory Operations
100 CenturyLink Drive
Monroe, Louisiana 71203

EFFECTIVE DATE:
November 1, 2017

ACCESS SERVICE

22. Reserved for Future Use (Cont'd)

(C)

(D)

(D)

ISSUE DATE:
October 17, 2017

Issued Under Transmittal No. 96
Vice President-Regulatory Operations
100 CenturyLink Drive
Monroe, Louisiana 71203

EFFECTIVE DATE:
November 1, 2017

ACCESS SERVICE

22. Reserved for Future Use (Cont'd)

(C)

(D)

(D)

ISSUE DATE:
October 17, 2017

Issued Under Transmittal No. 96
Vice President-Regulatory Operations
100 CenturyLink Drive
Monroe, Louisiana 71203

EFFECTIVE DATE:
November 1, 2017

ACCESS SERVICE

22. Reserved for Future Use (Cont'd)

(C)

(D)

(D)

ISSUE DATE:
October 17, 2017

Issued Under Transmittal No. 96
Vice President-Regulatory Operations
100 CenturyLink Drive
Monroe, Louisiana 71203

EFFECTIVE DATE:
November 1, 2017

ACCESS SERVICE

22. Reserved for Future Use (Cont'd)

(C)

(D)

(D)

ISSUE DATE:
October 17, 2017

Issued Under Transmittal No. 96
Vice President-Regulatory Operations
100 CenturyLink Drive
Monroe, Louisiana 71203

EFFECTIVE DATE:
November 1, 2017

ACCESS SERVICE

22. Reserved for Future Use (Cont'd)

(C)

(D)

(D)

ISSUE DATE:
October 17, 2017

Issued Under Transmittal No. 96
Vice President-Regulatory Operations
100 CenturyLink Drive
Monroe, Louisiana 71203

EFFECTIVE DATE:
November 1, 2017

ACCESS SERVICE

22. Reserved for Future Use (Cont'd)

(C)

(D)

(D)

ISSUE DATE:
October 17, 2017

Issued Under Transmittal No. 96
Vice President-Regulatory Operations
100 CenturyLink Drive
Monroe, Louisiana 71203

EFFECTIVE DATE:
November 1, 2017

ACCESS SERVICE

22. Reserved for Future Use (Cont'd)

(C)

(D)

(D)

ISSUE DATE:
October 17, 2017

Issued Under Transmittal No. 96
Vice President-Regulatory Operations
100 CenturyLink Drive
Monroe, Louisiana 71203

EFFECTIVE DATE:
November 1, 2017

ACCESS SERVICE

22. Reserved for Future Use (Cont'd)

(C)

(D)

(D)

ISSUE DATE:
October 17, 2017

Issued Under Transmittal No. 96
Vice President-Regulatory Operations
100 CenturyLink Drive
Monroe, Louisiana 71203

EFFECTIVE DATE:
November 1, 2017

ACCESS SERVICE

22. Reserved for Future Use (Cont'd)

(C)

(D)

(D)

ISSUE DATE:
October 17, 2017

Issued Under Transmittal No. 96
Vice President-Regulatory Operations
100 CenturyLink Drive
Monroe, Louisiana 71203

EFFECTIVE DATE:
November 1, 2017

ACCESS SERVICE

22. Reserved for Future Use (Cont'd)

(C)

(D)

(D)

ISSUE DATE:
October 17, 2017

Issued Under Transmittal No. 96
Vice President-Regulatory Operations
100 CenturyLink Drive
Monroe, Louisiana 71203

EFFECTIVE DATE:
November 1, 2017

ACCESS SERVICE

22. Reserved for Future Use (Cont'd)

(C)

(D)

(D)

ISSUE DATE:
October 17, 2017

Issued Under Transmittal No. 96
Vice President-Regulatory Operations
100 CenturyLink Drive
Monroe, Louisiana 71203

EFFECTIVE DATE:
November 1, 2017

ACCESS SERVICE

22. Reserved for Future Use (Cont'd)

(C)

(D)

(D)

ISSUE DATE:
October 17, 2017

Issued Under Transmittal No. 96
Vice President-Regulatory Operations
100 CenturyLink Drive
Monroe, Louisiana 71203

EFFECTIVE DATE:
November 1, 2017

ACCESS SERVICE

22. Reserved for Future Use (Cont'd)

(C)

(D)

(D)

ISSUE DATE:
October 17, 2017

Issued Under Transmittal No. 96
Vice President-Regulatory Operations
100 CenturyLink Drive
Monroe, Louisiana 71203

EFFECTIVE DATE:
November 1, 2017

ACCESS SERVICE

22. Reserved for Future Use (Cont'd)

(C)

(D)

(D)

ISSUE DATE:
October 17, 2017

Issued Under Transmittal No. 96
Vice President-Regulatory Operations
100 CenturyLink Drive
Monroe, Louisiana 71203

EFFECTIVE DATE:
November 1, 2017

ACCESS SERVICE

22. Reserved for Future Use (Cont'd)

(C)

(D)

(D)

ISSUE DATE:
October 17, 2017

Issued Under Transmittal No. 96
Vice President-Regulatory Operations
100 CenturyLink Drive
Monroe, Louisiana 71203

EFFECTIVE DATE:
November 1, 2017

ACCESS SERVICE

22. Reserved for Future Use (Cont'd)

(C)

(D)

(D)

ISSUE DATE:
October 17, 2017

Issued Under Transmittal No. 96
Vice President-Regulatory Operations
100 CenturyLink Drive
Monroe, Louisiana 71203

EFFECTIVE DATE:
November 1, 2017

ACCESS SERVICE

22. Reserved for Future Use (Cont'd)

(C)

(D)

(D)

ISSUE DATE:
October 17, 2017

Issued Under Transmittal No. 96
Vice President-Regulatory Operations
100 CenturyLink Drive
Monroe, Louisiana 71203

EFFECTIVE DATE:
November 1, 2017

ACCESS SERVICE

22. Reserved for Future Use (Cont'd)

(C)

(D)

(D)

ISSUE DATE:
October 17, 2017

Issued Under Transmittal No. 96
Vice President-Regulatory Operations
100 CenturyLink Drive
Monroe, Louisiana 71203

EFFECTIVE DATE:
November 1, 2017

ACCESS SERVICE

22. Reserved for Future Use (Cont'd)

(C)

(D)

(D)

ISSUE DATE:
October 17, 2017

Issued Under Transmittal No. 96
Vice President-Regulatory Operations
100 CenturyLink Drive
Monroe, Louisiana 71203

EFFECTIVE DATE:
November 1, 2017

ACCESS SERVICE

22. Reserved for Future Use (Cont'd)

(C)

(D)

(D)

ISSUE DATE:
October 17, 2017

Issued Under Transmittal No. 96
Vice President-Regulatory Operations
100 CenturyLink Drive
Monroe, Louisiana 71203

EFFECTIVE DATE:
November 1, 2017

ACCESS SERVICE

22. Reserved for Future Use (Cont'd)

(C)

(D)

(D)

ISSUE DATE:
October 17, 2017

Issued Under Transmittal No. 96
Vice President-Regulatory Operations
100 CenturyLink Drive
Monroe, Louisiana 71203

EFFECTIVE DATE:
November 1, 2017

ACCESS SERVICE

22. Reserved for Future Use (Cont'd)

(C)

(D)

(D)

ISSUE DATE:
October 17, 2017

Issued Under Transmittal No. 96
Vice President-Regulatory Operations
100 CenturyLink Drive
Monroe, Louisiana 71203

EFFECTIVE DATE:
November 1, 2017

ACCESS SERVICE

22. Reserved for Future Use (Cont'd)

(C)

(D)

(D)

ISSUE DATE:
October 17, 2017

Issued Under Transmittal No. 96
Vice President-Regulatory Operations
100 CenturyLink Drive
Monroe, Louisiana 71203

EFFECTIVE DATE:
November 1, 2017

ACCESS SERVICE

22. Reserved for Future Use (Cont'd)

(C)

(D)

(D)

(1) The CenturyLink services previously identified on this page are no longer offered under tariff. Effective March 13, 2015 the Commission granted forbearance from dominant carrier regulation of these services. http://transition.fcc.gov/Daily_Releases/Daily_Business/2015/db0316/DOC-332526A1.pdf
The rates, terms and conditions associated with these services are now available at:
<http://www.centurylink.com/Pages/AboutUs/Legal/Tariffs/displayTariffLandingPage.html>

ISSUE DATE:
April 16, 2015

Issued Under Transmittal No. 69
Vice President-Regulatory Operations
100 CenturyLink Drive
Monroe, Louisiana 71203

EFFECTIVE DATE:
May 1, 2015

ACCESS SERVICE

22. Reserved for Future Use (Cont'd)

(C)

(D)

(D)

(1) The CenturyLink services previously identified on this page are no longer offered under tariff. Effective March 13, 2015 the Commission granted forbearance from dominant carrier regulation of these services. http://transition.fcc.gov/Daily_Releases/Daily_Business/2015/db0316/DOC-332526A1.pdf
The rates, terms and conditions associated with these services are now available at:
<http://www.centurylink.com/Pages/AboutUs/Legal/Tariffs/displayTariffLandingPage.html>

ISSUE DATE:
April 16, 2015

Issued Under Transmittal No. 69
Vice President-Regulatory Operations
100 CenturyLink Drive
Monroe, Louisiana 71203

EFFECTIVE DATE:
May 1, 2015

ACCESS SERVICE

22. Reserved for Future Use (Cont'd)

(C)

(D)

(D)

(1) The CenturyLink services previously identified on this page are no longer offered under tariff. Effective March 13, 2015 the Commission granted forbearance from dominant carrier regulation of these services. http://transition.fcc.gov/Daily_Releases/Daily_Business/2015/db0316/DOC-332526A1.pdf
The rates, terms and conditions associated with these services are now available at:
<http://www.centurylink.com/Pages/AboutUs/Legal/Tariffs/displayTariffLandingPage.html>

ISSUE DATE:
April 16, 2015

Issued Under Transmittal No. 69
Vice President-Regulatory Operations
100 CenturyLink Drive
Monroe, Louisiana 71203

EFFECTIVE DATE:
May 1, 2015

ACCESS SERVICE

22. Reserved for Future Use (Cont'd)

(C)

(D)

(D)

(1) The CenturyLink services previously identified on this page are no longer offered under tariff. Effective March 13, 2015 the Commission granted forbearance from dominant carrier regulation of these services. http://transition.fcc.gov/Daily_Releases/Daily_Business/2015/db0316/DOC-332526A1.pdf
The rates, terms and conditions associated with these services are now available at:
<http://www.centurylink.com/Pages/AboutUs/Legal/Tariffs/displayTariffLandingPage.html>

ISSUE DATE:
April 16, 2015

Issued Under Transmittal No. 69
Vice President-Regulatory Operations
100 CenturyLink Drive
Monroe, Louisiana 71203

EFFECTIVE DATE:
May 1, 2015

ACCESS SERVICE

22. Reserved for Future Use (Cont'd)

(C)

(D)

(D)

(1) The CenturyLink services previously identified on this page are no longer offered under tariff. Effective March 13, 2015 the Commission granted forbearance from dominant carrier regulation of these services. http://transition.fcc.gov/Daily_Releases/Daily_Business/2015/db0316/DOC-332526A1.pdf
The rates, terms and conditions associated with these services are now available at:
<http://www.centurylink.com/Pages/AboutUs/Legal/Tariffs/displayTariffLandingPage.html>

ISSUE DATE:
April 16, 2015

Issued Under Transmittal No. 69
Vice President-Regulatory Operations
100 CenturyLink Drive
Monroe, Louisiana 71203

EFFECTIVE DATE:
May 1, 2015

ACCESS SERVICE

22. Reserved for Future Use (Cont'd)

(C)

(D)

(D)

ISSUE DATE:
October 17, 2017

Issued Under Transmittal No. 96
Vice President-Regulatory Operations
100 CenturyLink Drive
Monroe, Louisiana 71203

EFFECTIVE DATE:
November 1, 2017

ACCESS SERVICE

22. Reserved for Future Use (Cont'd)

(C)

(D)

(D)

ISSUE DATE:
October 17, 2017

Issued Under Transmittal No. 96
Vice President-Regulatory Operations
100 CenturyLink Drive
Monroe, Louisiana 71203

EFFECTIVE DATE:
November 1, 2017

ACCESS SERVICE

22. Reserved for Future Use (Cont'd)

(C)

(D)

(D)

ISSUE DATE:
October 17, 2017

Issued Under Transmittal No. 96
Vice President-Regulatory Operations
100 CenturyLink Drive
Monroe, Louisiana 71203

EFFECTIVE DATE:
November 1, 2017

ACCESS SERVICE

22. Reserved for Future Use (Cont'd)

(C)

(D)

(D)

ISSUE DATE:
October 17, 2017

Issued Under Transmittal No. 96
Vice President-Regulatory Operations
100 CenturyLink Drive
Monroe, Louisiana 71203

EFFECTIVE DATE:
November 1, 2017

ACCESS SERVICE

22. Reserved for Future Use (Cont'd)

(C)

(D)

(D)

ISSUE DATE:
October 17, 2017

Issued Under Transmittal No. 96
Vice President-Regulatory Operations
100 CenturyLink Drive
Monroe, Louisiana 71203

EFFECTIVE DATE:
November 1, 2017

ACCESS SERVICE

22. Reserved for Future Use (Cont'd)

(C)

(D)

(D)

ISSUE DATE:
October 17, 2017

Issued Under Transmittal No. 96
Vice President-Regulatory Operations
100 CenturyLink Drive
Monroe, Louisiana 71203

EFFECTIVE DATE:
November 1, 2017

ACCESS SERVICE

22. Reserved for Future Use (Cont'd)

(C)

(D)

(D)

ISSUE DATE:
October 17, 2017

Issued Under Transmittal No. 96
Vice President-Regulatory Operations
100 CenturyLink Drive
Monroe, Louisiana 71203

EFFECTIVE DATE:
November 1, 2017

ACCESS SERVICE

22. Reserved for Future Use (Cont'd)

(C)

(D)

(D)

ISSUE DATE:
October 17, 2017

Issued Under Transmittal No. 96
Vice President-Regulatory Operations
100 CenturyLink Drive
Monroe, Louisiana 71203

EFFECTIVE DATE:
November 1, 2017

ACCESS SERVICE

22. Reserved for Future Use (Cont'd)

(C)

(D)

(D)

ISSUE DATE:
October 17, 2017

Issued Under Transmittal No. 96
Vice President-Regulatory Operations
100 CenturyLink Drive
Monroe, Louisiana 71203

EFFECTIVE DATE:
November 1, 2017

ACCESS SERVICE

22. Reserved for Future Use (Cont'd)

(C)

(D)

(D)

ISSUE DATE:
October 17, 2017

Issued Under Transmittal No. 96
Vice President-Regulatory Operations
100 CenturyLink Drive
Monroe, Louisiana 71203

EFFECTIVE DATE:
November 1, 2017

ACCESS SERVICE

22. Reserved for Future Use (Cont'd)

(C)

(D)

(D)

ISSUE DATE:
October 17, 2017

Issued Under Transmittal No. 96
Vice President-Regulatory Operations
100 CenturyLink Drive
Monroe, Louisiana 71203

EFFECTIVE DATE:
November 1, 2017

ACCESS SERVICE

22. Reserved for Future Use (Cont'd)

(C)

(D)

(D)

ISSUE DATE:
October 17, 2017

Issued Under Transmittal No. 96
Vice President-Regulatory Operations
100 CenturyLink Drive
Monroe, Louisiana 71203

EFFECTIVE DATE:
November 1, 2017

ACCESS SERVICE

22. Reserved for Future Use (Cont'd)

(C)

(D)

(D)

ISSUE DATE:
October 17, 2017

Issued Under Transmittal No. 96
Vice President-Regulatory Operations
100 CenturyLink Drive
Monroe, Louisiana 71203

EFFECTIVE DATE:
November 1, 2017

ACCESS SERVICE

22. Reserved for Future Use (Cont'd)

(C)

(D)

(D)

ISSUE DATE:
October 17, 2017

Issued Under Transmittal No. 96
Vice President-Regulatory Operations
100 CenturyLink Drive
Monroe, Louisiana 71203

EFFECTIVE DATE:
November 1, 2017

ACCESS SERVICE

22. Reserved for Future Use (Cont'd)

(C)

(D)

(D)

ISSUE DATE:
October 17, 2017

Issued Under Transmittal No. 96
Vice President-Regulatory Operations
100 CenturyLink Drive
Monroe, Louisiana 71203

EFFECTIVE DATE:
November 1, 2017

ACCESS SERVICE

22. Reserved for Future Use (Cont'd)

(C)

(D)

(D)

ISSUE DATE:
October 17, 2017

Issued Under Transmittal No. 96
Vice President-Regulatory Operations
100 CenturyLink Drive
Monroe, Louisiana 71203

EFFECTIVE DATE:
November 1, 2017

ACCESS SERVICE

22. Reserved for Future Use (Cont'd)

(C)

(D)

(D)

ISSUE DATE:
October 17, 2017

Issued Under Transmittal No. 96
Vice President-Regulatory Operations
100 CenturyLink Drive
Monroe, Louisiana 71203

EFFECTIVE DATE:
November 1, 2017

ACCESS SERVICE

22. Reserved for Future Use (Cont'd)

(C)

(D)

(D)

ISSUE DATE:
October 17, 2017

Issued Under Transmittal No. 96
Vice President-Regulatory Operations
100 CenturyLink Drive
Monroe, Louisiana 71203

EFFECTIVE DATE:
November 1, 2017

ACCESS SERVICE

22. Reserved for Future Use (Cont'd)

(C)

(D)

(D)

ISSUE DATE:
October 17, 2017

Issued Under Transmittal No. 96
Vice President-Regulatory Operations
100 CenturyLink Drive
Monroe, Louisiana 71203

EFFECTIVE DATE:
November 1, 2017

ACCESS SERVICE

22. Reserved for Future Use (Cont'd)

(C)

(D)

(D)

ISSUE DATE:
October 17, 2017

Issued Under Transmittal No. 96
Vice President-Regulatory Operations
100 CenturyLink Drive
Monroe, Louisiana 71203

EFFECTIVE DATE:
November 1, 2017

ACCESS SERVICE

22. Reserved for Future Use (Cont'd)

(C)

(D)

(D)

ISSUE DATE:
October 17, 2017

Issued Under Transmittal No. 96
Vice President-Regulatory Operations
100 CenturyLink Drive
Monroe, Louisiana 71203

EFFECTIVE DATE:
November 1, 2017

ACCESS SERVICE

22. Reserved for Future Use (Cont'd)

(C)

(D)

(D)

ISSUE DATE:
October 17, 2017

Issued Under Transmittal No. 96
Vice President-Regulatory Operations
100 CenturyLink Drive
Monroe, Louisiana 71203

EFFECTIVE DATE:
November 1, 2017

ACCESS SERVICE

22. Reserved for Future Use (Cont'd)

(C)

(D)

(D)

ISSUE DATE:
October 17, 2017

Issued Under Transmittal No. 96
Vice President-Regulatory Operations
100 CenturyLink Drive
Monroe, Louisiana 71203

EFFECTIVE DATE:
November 1, 2017

ACCESS SERVICE

22. Reserved for Future Use (Cont'd)

(C)

(D)

(D)

ISSUE DATE:
October 17, 2017

Issued Under Transmittal No. 96
Vice President-Regulatory Operations
100 CenturyLink Drive
Monroe, Louisiana 71203

EFFECTIVE DATE:
November 1, 2017

ACCESS SERVICE

22. Reserved for Future Use (Cont'd)

(C)

(D)

(D)

ISSUE DATE:
October 17, 2017

Issued Under Transmittal No. 96
Vice President-Regulatory Operations
100 CenturyLink Drive
Monroe, Louisiana 71203

EFFECTIVE DATE:
November 1, 2017

ACCESS SERVICE

22. Reserved for Future Use (Cont'd)

(C)

(D)

(D)

ISSUE DATE:
October 17, 2017

Issued Under Transmittal No. 96
Vice President-Regulatory Operations
100 CenturyLink Drive
Monroe, Louisiana 71203

EFFECTIVE DATE:
November 1, 2017

ACCESS SERVICE

22. Reserved for Future Use (Cont'd)

(C)

(D)

(D)

ISSUE DATE:
October 17, 2017

Issued Under Transmittal No. 96
Vice President-Regulatory Operations
100 CenturyLink Drive
Monroe, Louisiana 71203

EFFECTIVE DATE:
November 1, 2017

ACCESS SERVICE

22. Reserved for Future Use (Cont'd)

(C)

(D)

(D)

ISSUE DATE:
October 17, 2017

Issued Under Transmittal No. 96
Vice President-Regulatory Operations
100 CenturyLink Drive
Monroe, Louisiana 71203

EFFECTIVE DATE:
November 1, 2017

ACCESS SERVICE

22. Reserved for Future Use (Cont'd)

(C)

(D)

(D)

ISSUE DATE:
October 17, 2017

Issued Under Transmittal No. 96
Vice President-Regulatory Operations
100 CenturyLink Drive
Monroe, Louisiana 71203

EFFECTIVE DATE:
November 1, 2017

ACCESS SERVICE

22. Reserved for Future Use (Cont'd)

(C)

(D)

(D)

ISSUE DATE:
October 17, 2017

Issued Under Transmittal No. 96
Vice President-Regulatory Operations
100 CenturyLink Drive
Monroe, Louisiana 71203

EFFECTIVE DATE:
November 1, 2017

ACCESS SERVICE

22. Reserved for Future Use (Cont'd)

(C)

(D)

(D)

ISSUE DATE:
October 17, 2017

Issued Under Transmittal No. 96
Vice President-Regulatory Operations
100 CenturyLink Drive
Monroe, Louisiana 71203

EFFECTIVE DATE:
November 1, 2017

ACCESS SERVICE

22. Reserved for Future Use (Cont'd)

(C)

(D)

(D)

ISSUE DATE:
October 17, 2017

Issued Under Transmittal No. 96
Vice President-Regulatory Operations
100 CenturyLink Drive
Monroe, Louisiana 71203

EFFECTIVE DATE:
November 1, 2017

ACCESS SERVICE

22. Reserved for Future Use (Cont'd)

(C)

(D)

(D)

ISSUE DATE:
October 17, 2017

Issued Under Transmittal No. 96
Vice President-Regulatory Operations
100 CenturyLink Drive
Monroe, Louisiana 71203

EFFECTIVE DATE:
November 1, 2017

ACCESS SERVICE

22. Reserved for Future Use (Cont'd)

(C)

(D)

(D)

ISSUE DATE:
October 17, 2017

Issued Under Transmittal No. 96
Vice President-Regulatory Operations
100 CenturyLink Drive
Monroe, Louisiana 71203

EFFECTIVE DATE:
November 1, 2017

ACCESS SERVICE

22. Reserved for Future Use (Cont'd)

(C)

(D)

(D)

ISSUE DATE:
October 17, 2017

Issued Under Transmittal No. 96
Vice President-Regulatory Operations
100 CenturyLink Drive
Monroe, Louisiana 71203

EFFECTIVE DATE:
November 1, 2017

ACCESS SERVICE

22. Reserved for Future Use (Cont'd)

(C)

(D)

(D)

ISSUE DATE:
October 17, 2017

Issued Under Transmittal No. 96
Vice President-Regulatory Operations
100 CenturyLink Drive
Monroe, Louisiana 71203

EFFECTIVE DATE:
November 1, 2017

ACCESS SERVICE

22. Reserved for Future Use (Cont'd)

(C)

(D)

(D)

ISSUE DATE:
October 17, 2017

Issued Under Transmittal No. 96
Vice President-Regulatory Operations
100 CenturyLink Drive
Monroe, Louisiana 71203

EFFECTIVE DATE:
November 1, 2017

ACCESS SERVICE

22. Reserved for Future Use (Cont'd)

(C)

(D)

(D)

ISSUE DATE:
October 17, 2017

Issued Under Transmittal No. 96
Vice President-Regulatory Operations
100 CenturyLink Drive
Monroe, Louisiana 71203

EFFECTIVE DATE:
November 1, 2017

ACCESS SERVICE

22. Reserved for Future Use (Cont'd)

(C)

(D)

(D)

ISSUE DATE:
October 17, 2017

Issued Under Transmittal No. 96
Vice President-Regulatory Operations
100 CenturyLink Drive
Monroe, Louisiana 71203

EFFECTIVE DATE:
November 1, 2017

ACCESS SERVICE

22. Reserved for Future Use (Cont'd)

(C)

(D)

(D)

ISSUE DATE:
October 17, 2017

Issued Under Transmittal No. 96
Vice President-Regulatory Operations
100 CenturyLink Drive
Monroe, Louisiana 71203

EFFECTIVE DATE:
November 1, 2017

ACCESS SERVICE

22. Reserved for Future Use (Cont'd)

(C)

(D)

(D)

ISSUE DATE:
October 17, 2017

Issued Under Transmittal No. 96
Vice President-Regulatory Operations
100 CenturyLink Drive
Monroe, Louisiana 71203

EFFECTIVE DATE:
November 1, 2017

ACCESS SERVICE

22. Reserved for Future Use (Cont'd)

(C)

(D)

(D)

ISSUE DATE:
October 17, 2017

Issued Under Transmittal No. 96
Vice President-Regulatory Operations
100 CenturyLink Drive
Monroe, Louisiana 71203

EFFECTIVE DATE:
November 1, 2017

ACCESS SERVICE

22. Reserved for Future Use (Cont'd)

(C)

(D)

(D)

ISSUE DATE:
October 17, 2017

Issued Under Transmittal No. 96
Vice President-Regulatory Operations
100 CenturyLink Drive
Monroe, Louisiana 71203

EFFECTIVE DATE:
November 1, 2017

ACCESS SERVICE

22. Reserved for Future Use (Cont'd)

(C)

(D)

(D)

ISSUE DATE:
October 17, 2017

Issued Under Transmittal No. 96
Vice President-Regulatory Operations
100 CenturyLink Drive
Monroe, Louisiana 71203

EFFECTIVE DATE:
November 1, 2017

ACCESS SERVICE

22. Reserved for Future Use (Cont'd)

(C)

(D)

(D)

ISSUE DATE:
October 17, 2017

Issued Under Transmittal No. 96
Vice President-Regulatory Operations
100 CenturyLink Drive
Monroe, Louisiana 71203

EFFECTIVE DATE:
November 1, 2017

ACCESS SERVICE

22. Reserved for Future Use (Cont'd)

(C)

(D)

(D)

ISSUE DATE:
October 17, 2017

Issued Under Transmittal No. 96
Vice President-Regulatory Operations
100 CenturyLink Drive
Monroe, Louisiana 71203

EFFECTIVE DATE:
November 1, 2017

ACCESS SERVICE

22. Reserved for Future Use (Cont'd)

(C)

(D)

(D)

ISSUE DATE:
October 17, 2017

Issued Under Transmittal No. 96
Vice President-Regulatory Operations
100 CenturyLink Drive
Monroe, Louisiana 71203

EFFECTIVE DATE:
November 1, 2017

ACCESS SERVICE

22. Reserved for Future Use (Cont'd)

(C)

(D)

(D)

ISSUE DATE:
October 17, 2017

Issued Under Transmittal No. 96
Vice President-Regulatory Operations
100 CenturyLink Drive
Monroe, Louisiana 71203

EFFECTIVE DATE:
November 1, 2017

ACCESS SERVICE

22. Reserved for Future Use (Cont'd)

(C)

(D)

(D)

ISSUE DATE:
October 17, 2017

Issued Under Transmittal No. 96
Vice President-Regulatory Operations
100 CenturyLink Drive
Monroe, Louisiana 71203

EFFECTIVE DATE:
November 1, 2017

ACCESS SERVICE

22. Reserved for Future Use (Cont'd)

(C)

(D)

(D)

ISSUE DATE:
October 17, 2017

Issued Under Transmittal No. 96
Vice President-Regulatory Operations
100 CenturyLink Drive
Monroe, Louisiana 71203

EFFECTIVE DATE:
November 1, 2017

ACCESS SERVICE

22. Reserved for Future Use (Cont'd)

(C)

(D)

(D)

ISSUE DATE:
October 17, 2017

Issued Under Transmittal No. 96
Vice President-Regulatory Operations
100 CenturyLink Drive
Monroe, Louisiana 71203

EFFECTIVE DATE:
November 1, 2017

ACCESS SERVICE

22. Reserved for Future Use (Cont'd)

(C)

(D)

(D)

ISSUE DATE:
October 17, 2017

Issued Under Transmittal No. 96
Vice President-Regulatory Operations
100 CenturyLink Drive
Monroe, Louisiana 71203

EFFECTIVE DATE:
November 1, 2017

ACCESS SERVICE

22. Reserved for Future Use (Cont'd)

(C)

(D)

(D)

ISSUE DATE:
October 17, 2017

Issued Under Transmittal No. 96
Vice President-Regulatory Operations
100 CenturyLink Drive
Monroe, Louisiana 71203

EFFECTIVE DATE:
November 1, 2017

ACCESS SERVICE

22. Reserved for Future Use (Cont'd)

(C)

(D)

(D)

ISSUE DATE:
October 17, 2017

Issued Under Transmittal No. 96
Vice President-Regulatory Operations
100 CenturyLink Drive
Monroe, Louisiana 71203

EFFECTIVE DATE:
November 1, 2017

ACCESS SERVICE

22. Reserved for Future Use (Cont'd)

(C)

(D)

(D)

ISSUE DATE:
October 17, 2017

Issued Under Transmittal No. 96
Vice President-Regulatory Operations
100 CenturyLink Drive
Monroe, Louisiana 71203

EFFECTIVE DATE:
November 1, 2017

ACCESS SERVICE

22. Reserved for Future Use (Cont'd)

(C)

(D)

(D)

ISSUE DATE:
October 17, 2017

Issued Under Transmittal No. 96
Vice President-Regulatory Operations
100 CenturyLink Drive
Monroe, Louisiana 71203

EFFECTIVE DATE:
November 1, 2017

ACCESS SERVICE

22. Reserved for Future Use (Cont'd)

(C)

(D)

(D)

ISSUE DATE:
October 17, 2017

Issued Under Transmittal No. 96
Vice President-Regulatory Operations
100 CenturyLink Drive
Monroe, Louisiana 71203

EFFECTIVE DATE:
November 1, 2017

ACCESS SERVICE

22. Reserved for Future Use (Cont'd)

(C)

(D)

(D)

ISSUE DATE:
October 17, 2017

Issued Under Transmittal No. 96
Vice President-Regulatory Operations
100 CenturyLink Drive
Monroe, Louisiana 71203

EFFECTIVE DATE:
November 1, 2017

ACCESS SERVICE

22. Reserved for Future Use (Cont'd)

(C)

(D)

(D)

ISSUE DATE:
October 17, 2017

Issued Under Transmittal No. 96
Vice President-Regulatory Operations
100 CenturyLink Drive
Monroe, Louisiana 71203

EFFECTIVE DATE:
November 1, 2017

ACCESS SERVICE

22. Reserved for Future Use (Cont'd)

(C)

(D)

(D)

ISSUE DATE:
October 17, 2017

Issued Under Transmittal No. 96
Vice President-Regulatory Operations
100 CenturyLink Drive
Monroe, Louisiana 71203

EFFECTIVE DATE:
November 1, 2017

ACCESS SERVICE

22. Reserved for Future Use (Cont'd)

(C)

(D)

(D)

ISSUE DATE:
October 17, 2017

Issued Under Transmittal No. 96
Vice President-Regulatory Operations
100 CenturyLink Drive
Monroe, Louisiana 71203

EFFECTIVE DATE:
November 1, 2017

ACCESS SERVICE

22. Reserved for Future Use (Cont'd)

(C)

(D)

(D)

ISSUE DATE:
October 17, 2017

Issued Under Transmittal No. 96
Vice President-Regulatory Operations
100 CenturyLink Drive
Monroe, Louisiana 71203

EFFECTIVE DATE:
November 1, 2017

ACCESS SERVICE

22. Reserved for Future Use (Cont'd)

(C)

(D)

(D)

ISSUE DATE:
October 17, 2017

Issued Under Transmittal No. 96
Vice President-Regulatory Operations
100 CenturyLink Drive
Monroe, Louisiana 71203

EFFECTIVE DATE:
November 1, 2017

ACCESS SERVICE

22. Reserved for Future Use (Cont'd)

(C)

(D)

(D)

ISSUE DATE:
October 17, 2017

Issued Under Transmittal No. 96
Vice President-Regulatory Operations
100 CenturyLink Drive
Monroe, Louisiana 71203

EFFECTIVE DATE:
November 1, 2017

ACCESS SERVICE

22. Reserved for Future Use (Cont'd)

(C)

(D)

(D)

ISSUE DATE:
October 17, 2017

Issued Under Transmittal No. 96
Vice President-Regulatory Operations
100 CenturyLink Drive
Monroe, Louisiana 71203

EFFECTIVE DATE:
November 1, 2017

ACCESS SERVICE

22. Reserved for Future Use (Cont'd)

(C)

(D)

(D)

ISSUE DATE:
October 17, 2017

Issued Under Transmittal No. 96
Vice President-Regulatory Operations
100 CenturyLink Drive
Monroe, Louisiana 71203

EFFECTIVE DATE:
November 1, 2017

ACCESS SERVICE

22. Reserved for Future Use (Cont'd)

(C)

(D)

(D)

ISSUE DATE:
October 17, 2017

Issued Under Transmittal No. 96
Vice President-Regulatory Operations
100 CenturyLink Drive
Monroe, Louisiana 71203

EFFECTIVE DATE:
November 1, 2017

ACCESS SERVICE

22. Reserved for Future Use (Cont'd)

(C)

(D)

(D)

ISSUE DATE:
October 17, 2017

Issued Under Transmittal No. 96
Vice President-Regulatory Operations
100 CenturyLink Drive
Monroe, Louisiana 71203

EFFECTIVE DATE:
November 1, 2017

ACCESS SERVICE

22. Reserved for Future Use (Cont'd)

(C)

(D)

(D)

ISSUE DATE:
October 17, 2017

Issued Under Transmittal No. 96
Vice President-Regulatory Operations
100 CenturyLink Drive
Monroe, Louisiana 71203

EFFECTIVE DATE:
November 1, 2017

ACCESS SERVICE

22. Reserved for Future Use (Cont'd)

(C)

(D)

(D)

ISSUE DATE:
October 17, 2017

Issued Under Transmittal No. 96
Vice President-Regulatory Operations
100 CenturyLink Drive
Monroe, Louisiana 71203

EFFECTIVE DATE:
November 1, 2017

ACCESS SERVICE

22. Reserved for Future Use (Cont'd)

(C)

(D)

(D)

ISSUE DATE:
October 17, 2017

Issued Under Transmittal No. 96
Vice President-Regulatory Operations
100 CenturyLink Drive
Monroe, Louisiana 71203

EFFECTIVE DATE:
November 1, 2017

ACCESS SERVICE

22. Reserved for Future Use (Cont'd)

(C)

(D)

(D)

ISSUE DATE:
October 17, 2017

Issued Under Transmittal No. 96
Vice President-Regulatory Operations
100 CenturyLink Drive
Monroe, Louisiana 71203

EFFECTIVE DATE:
November 1, 2017

ACCESS SERVICE

22. Reserved for Future Use (Cont'd)

(C)

(D)

(D)

ISSUE DATE:
October 17, 2017

Issued Under Transmittal No. 96
Vice President-Regulatory Operations
100 CenturyLink Drive
Monroe, Louisiana 71203

EFFECTIVE DATE:
November 1, 2017

ACCESS SERVICE

22. Reserved for Future Use (Cont'd)

(C)

(D)

(D)

ISSUE DATE:
October 17, 2017

Issued Under Transmittal No. 96
Vice President-Regulatory Operations
100 CenturyLink Drive
Monroe, Louisiana 71203

EFFECTIVE DATE:
November 1, 2017

ACCESS SERVICE

22. Reserved for Future Use (Cont'd)

(C)

(D)

(D)

ISSUE DATE:
October 17, 2017

Issued Under Transmittal No. 96
Vice President-Regulatory Operations
100 CenturyLink Drive
Monroe, Louisiana 71203

EFFECTIVE DATE:
November 1, 2017

ACCESS SERVICE

22. Reserved for Future Use (Cont'd)

(C)

(D)

(D)

ISSUE DATE:
October 17, 2017

Issued Under Transmittal No. 96
Vice President-Regulatory Operations
100 CenturyLink Drive
Monroe, Louisiana 71203

EFFECTIVE DATE:
November 1, 2017

ACCESS SERVICE

22. Reserved for Future Use (Cont'd)

(C)

(D)

(D)

ISSUE DATE:
October 17, 2017

Issued Under Transmittal No. 96
Vice President-Regulatory Operations
100 CenturyLink Drive
Monroe, Louisiana 71203

EFFECTIVE DATE:
November 1, 2017

ACCESS SERVICE

22. Reserved for Future Use (Cont'd)

(C)

(D)

(D)

ISSUE DATE:
October 17, 2017

Issued Under Transmittal No. 96
Vice President-Regulatory Operations
100 CenturyLink Drive
Monroe, Louisiana 71203

EFFECTIVE DATE:
November 1, 2017

ACCESS SERVICE

22. Reserved for Future Use (Cont'd)

(C)

(D)

(D)

ISSUE DATE:
October 17, 2017

Issued Under Transmittal No. 96
Vice President-Regulatory Operations
100 CenturyLink Drive
Monroe, Louisiana 71203

EFFECTIVE DATE:
November 1, 2017

ACCESS SERVICE

22. Reserved for Future Use (Cont'd)

(C)

(D)

(D)

ISSUE DATE:
October 17, 2017

Issued Under Transmittal No. 96
Vice President-Regulatory Operations
100 CenturyLink Drive
Monroe, Louisiana 71203

EFFECTIVE DATE:
November 1, 2017

ACCESS SERVICE

22. Reserved for Future Use (Cont'd)

(C)

(D)

(D)

ISSUE DATE:
October 17, 2017

Issued Under Transmittal No. 96
Vice President-Regulatory Operations
100 CenturyLink Drive
Monroe, Louisiana 71203

EFFECTIVE DATE:
November 1, 2017

ACCESS SERVICE

22. Reserved for Future Use (Cont'd)

(C)

(D)

(D)

ISSUE DATE:
October 17, 2017

Issued Under Transmittal No. 96
Vice President-Regulatory Operations
100 CenturyLink Drive
Monroe, Louisiana 71203

EFFECTIVE DATE:
November 1, 2017

ACCESS SERVICE

22. Reserved for Future Use (Cont'd)

(C)

(D)

(D)

ISSUE DATE:
October 17, 2017

Issued Under Transmittal No. 96
Vice President-Regulatory Operations
100 CenturyLink Drive
Monroe, Louisiana 71203

EFFECTIVE DATE:
November 1, 2017

ACCESS SERVICE

22. Reserved for Future Use (Cont'd)

(C)

(D)

(D)

ISSUE DATE:
October 17, 2017

Issued Under Transmittal No. 96
Vice President-Regulatory Operations
100 CenturyLink Drive
Monroe, Louisiana 71203

EFFECTIVE DATE:
November 1, 2017

ACCESS SERVICE

22. Reserved for Future Use (Cont'd)

(C)

(D)

(D)

ISSUE DATE:
October 17, 2017

Issued Under Transmittal No. 96
Vice President-Regulatory Operations
100 CenturyLink Drive
Monroe, Louisiana 71203

EFFECTIVE DATE:
November 1, 2017

ACCESS SERVICE

22. Reserved for Future Use (Cont'd)

(C)

(D)

(D)

ISSUE DATE:
October 17, 2017

Issued Under Transmittal No. 96
Vice President-Regulatory Operations
100 CenturyLink Drive
Monroe, Louisiana 71203

EFFECTIVE DATE:
November 1, 2017

ACCESS SERVICE

22. Reserved for Future Use (Cont'd)

(C)

(D)

(D)

ISSUE DATE:
October 17, 2017

Issued Under Transmittal No. 96
Vice President-Regulatory Operations
100 CenturyLink Drive
Monroe, Louisiana 71203

EFFECTIVE DATE:
November 1, 2017

ACCESS SERVICE

22. Reserved for Future Use (Cont'd)

(C)

(D)

(D)

ISSUE DATE:
October 17, 2017

Issued Under Transmittal No. 96
Vice President-Regulatory Operations
100 CenturyLink Drive
Monroe, Louisiana 71203

EFFECTIVE DATE:
November 1, 2017

ACCESS SERVICE

22. Reserved for Future Use (Cont'd)

(C)

(D)

(D)

ISSUE DATE:
October 17, 2017

Issued Under Transmittal No. 96
Vice President-Regulatory Operations
100 CenturyLink Drive
Monroe, Louisiana 71203

EFFECTIVE DATE:
November 1, 2017

ACCESS SERVICE

22. Reserved for Future Use (Cont'd)

(C)

(D)

(D)

ISSUE DATE:
October 17, 2017

Issued Under Transmittal No. 96
Vice President-Regulatory Operations
100 CenturyLink Drive
Monroe, Louisiana 71203

EFFECTIVE DATE:
November 1, 2017

ACCESS SERVICE

22. Reserved for Future Use (Cont'd)

(C)

(D)

(D)

ISSUE DATE:
October 17, 2017

Issued Under Transmittal No. 96
Vice President-Regulatory Operations
100 CenturyLink Drive
Monroe, Louisiana 71203

EFFECTIVE DATE:
November 1, 2017

ACCESS SERVICE

22. Reserved for Future Use (Cont'd)

(C)

(D)

(D)

ISSUE DATE:
October 17, 2017

Issued Under Transmittal No. 96
Vice President-Regulatory Operations
100 CenturyLink Drive
Monroe, Louisiana 71203

EFFECTIVE DATE:
November 1, 2017

ACCESS SERVICE

22. Reserved for Future Use (Cont'd)

(C)

(D)

(D)

ISSUE DATE:
October 17, 2017

Issued Under Transmittal No. 96
Vice President-Regulatory Operations
100 CenturyLink Drive
Monroe, Louisiana 71203

EFFECTIVE DATE:
November 1, 2017

ACCESS SERVICE

22. Reserved for Future Use (Cont'd)

(C)

(D)

(D)

ISSUE DATE:
October 17, 2017

Issued Under Transmittal No. 96
Vice President-Regulatory Operations
100 CenturyLink Drive
Monroe, Louisiana 71203

EFFECTIVE DATE:
November 1, 2017

ACCESS SERVICE

22. Reserved for Future Use (Cont'd)

(C)

(D)

(D)

ISSUE DATE:
October 17, 2017

Issued Under Transmittal No. 96
Vice President-Regulatory Operations
100 CenturyLink Drive
Monroe, Louisiana 71203

EFFECTIVE DATE:
November 1, 2017

ACCESS SERVICE

22. Reserved for Future Use (Cont'd)

(C)

(D)

(D)

ISSUE DATE:
October 17, 2017

Issued Under Transmittal No. 96
Vice President-Regulatory Operations
100 CenturyLink Drive
Monroe, Louisiana 71203

EFFECTIVE DATE:
November 1, 2017

ACCESS SERVICE

22. Reserved for Future Use (Cont'd)

(C)

(D)

(D)

ISSUE DATE:
October 17, 2017

Issued Under Transmittal No. 96
Vice President-Regulatory Operations
100 CenturyLink Drive
Monroe, Louisiana 71203

EFFECTIVE DATE:
November 1, 2017

ACCESS SERVICE

22. Reserved for Future Use (Cont'd)

(C)

(D)

(D)

ISSUE DATE:
October 17, 2017

Issued Under Transmittal No. 96
Vice President-Regulatory Operations
100 CenturyLink Drive
Monroe, Louisiana 71203

EFFECTIVE DATE:
November 1, 2017

ACCESS SERVICE

22. Reserved for Future Use (Cont'd)

(C)

(D)

(D)

ISSUE DATE:
October 17, 2017

Issued Under Transmittal No. 96
Vice President-Regulatory Operations
100 CenturyLink Drive
Monroe, Louisiana 71203

EFFECTIVE DATE:
November 1, 2017

ACCESS SERVICE

22. Reserved for Future Use (Cont'd)

(C)

(D)

(D)

ISSUE DATE:
October 17, 2017

Issued Under Transmittal No. 96
Vice President-Regulatory Operations
100 CenturyLink Drive
Monroe, Louisiana 71203

EFFECTIVE DATE:
November 1, 2017

ACCESS SERVICE

22. Reserved for Future Use (Cont'd)

(C)

(D)

(D)

ISSUE DATE:
October 17, 2017

Issued Under Transmittal No. 96
Vice President-Regulatory Operations
100 CenturyLink Drive
Monroe, Louisiana 71203

EFFECTIVE DATE:
November 1, 2017

ACCESS SERVICE

22. Reserved for Future Use (Cont'd)

(C)

(D)

(D)

ISSUE DATE:
October 17, 2017

Issued Under Transmittal No. 96
Vice President-Regulatory Operations
100 CenturyLink Drive
Monroe, Louisiana 71203

EFFECTIVE DATE:
November 1, 2017

ACCESS SERVICE

22. Reserved for Future Use (Cont'd)

(C)

(D)

(D)

ISSUE DATE:
October 17, 2017

Issued Under Transmittal No. 96
Vice President-Regulatory Operations
100 CenturyLink Drive
Monroe, Louisiana 71203

EFFECTIVE DATE:
November 1, 2017

ACCESS SERVICE

22. Reserved for Future Use (Cont'd)

(C)

(D)

(D)

ISSUE DATE:
October 17, 2017

Issued Under Transmittal No. 96
Vice President-Regulatory Operations
100 CenturyLink Drive
Monroe, Louisiana 71203

EFFECTIVE DATE:
November 1, 2017

ACCESS SERVICE

22. Reserved for Future Use (Cont'd)

(C)

(D)

(D)

ISSUE DATE:
October 17, 2017

Issued Under Transmittal No. 96
Vice President-Regulatory Operations
100 CenturyLink Drive
Monroe, Louisiana 71203

EFFECTIVE DATE:
November 1, 2017

ACCESS SERVICE

22. Reserved for Future Use (Cont'd)

(C)

(D)

(D)

ISSUE DATE:
October 17, 2017

Issued Under Transmittal No. 96
Vice President-Regulatory Operations
100 CenturyLink Drive
Monroe, Louisiana 71203

EFFECTIVE DATE:
November 1, 2017

ACCESS SERVICE

22. Reserved for Future Use (Cont'd)

(C)

(D)

(D)

ISSUE DATE:
October 17, 2017

Issued Under Transmittal No. 96
Vice President-Regulatory Operations
100 CenturyLink Drive
Monroe, Louisiana 71203

EFFECTIVE DATE:
November 1, 2017

ACCESS SERVICE

22. Reserved for Future Use (Cont'd)

(C)

(D)

(D)

ISSUE DATE:
October 17, 2017

Issued Under Transmittal No. 96
Vice President-Regulatory Operations
100 CenturyLink Drive
Monroe, Louisiana 71203

EFFECTIVE DATE:
November 1, 2017

ACCESS SERVICE

22. Reserved for Future Use (Cont'd)

(C)

(D)

(D)

ISSUE DATE:
October 17, 2017

Issued Under Transmittal No. 96
Vice President-Regulatory Operations
100 CenturyLink Drive
Monroe, Louisiana 71203

EFFECTIVE DATE:
November 1, 2017

ACCESS SERVICE

22. Reserved for Future Use (Cont'd)

(C)

(D)

(D)

ISSUE DATE:
October 17, 2017

Issued Under Transmittal No. 96
Vice President-Regulatory Operations
100 CenturyLink Drive
Monroe, Louisiana 71203

EFFECTIVE DATE:
November 1, 2017

ACCESS SERVICE

22. Reserved for Future Use (Cont'd)

(C)

(D)

(D)

ISSUE DATE:
October 17, 2017

Issued Under Transmittal No. 96
Vice President-Regulatory Operations
100 CenturyLink Drive
Monroe, Louisiana 71203

EFFECTIVE DATE:
November 1, 2017

ACCESS SERVICE

22. Reserved for Future Use (Cont'd)

(C)

(D)

(D)

ISSUE DATE:
October 17, 2017

Issued Under Transmittal No. 96
Vice President-Regulatory Operations
100 CenturyLink Drive
Monroe, Louisiana 71203

EFFECTIVE DATE:
November 1, 2017

ACCESS SERVICE

22. Reserved for Future Use (Cont'd)

(C)

(D)

(D)

ISSUE DATE:
October 17, 2017

Issued Under Transmittal No. 96
Vice President-Regulatory Operations
100 CenturyLink Drive
Monroe, Louisiana 71203

EFFECTIVE DATE:
November 1, 2017

ACCESS SERVICE

22. Reserved for Future Use (Cont'd)

(C)

(D)

(D)

ISSUE DATE:
October 17, 2017

Issued Under Transmittal No. 96
Vice President-Regulatory Operations
100 CenturyLink Drive
Monroe, Louisiana 71203

EFFECTIVE DATE:
November 1, 2017

ACCESS SERVICE

22. Reserved for Future Use (Cont'd)

(C)

(D)

(D)

ISSUE DATE:
October 17, 2017

Issued Under Transmittal No. 96
Vice President-Regulatory Operations
100 CenturyLink Drive
Monroe, Louisiana 71203

EFFECTIVE DATE:
November 1, 2017

ACCESS SERVICE

22. Reserved for Future Use (Cont'd)

(C)

(D)

(D)

ISSUE DATE:
October 17, 2017

Issued Under Transmittal No. 96
Vice President-Regulatory Operations
100 CenturyLink Drive
Monroe, Louisiana 71203

EFFECTIVE DATE:
November 1, 2017

ACCESS SERVICE

22. Reserved for Future Use (Cont'd)

(C)

(D)

(D)

ISSUE DATE:
October 17, 2017

Issued Under Transmittal No. 96
Vice President-Regulatory Operations
100 CenturyLink Drive
Monroe, Louisiana 71203

EFFECTIVE DATE:
November 1, 2017

ACCESS SERVICE

22. Reserved for Future Use (Cont'd)

(C)

(D)

(D)

ISSUE DATE:
October 17, 2017

Issued Under Transmittal No. 96
Vice President-Regulatory Operations
100 CenturyLink Drive
Monroe, Louisiana 71203

EFFECTIVE DATE:
November 1, 2017

ACCESS SERVICE

22. Reserved for Future Use (Cont'd)

(C)

(D)

(D)

ISSUE DATE:
October 17, 2017

Issued Under Transmittal No. 96
Vice President-Regulatory Operations
100 CenturyLink Drive
Monroe, Louisiana 71203

EFFECTIVE DATE:
November 1, 2017

ACCESS SERVICE

22. Reserved for Future Use (Cont'd)

(C)

(D)

(D)

ISSUE DATE:
October 17, 2017

Issued Under Transmittal No. 96
Vice President-Regulatory Operations
100 CenturyLink Drive
Monroe, Louisiana 71203

EFFECTIVE DATE:
November 1, 2017

ACCESS SERVICE

22. Reserved for Future Use (Cont'd)

(C)

(D)

(D)

ISSUE DATE:
October 17, 2017

Issued Under Transmittal No. 96
Vice President-Regulatory Operations
100 CenturyLink Drive
Monroe, Louisiana 71203

EFFECTIVE DATE:
November 1, 2017

ACCESS SERVICE

22. Reserved for Future Use (Cont'd)

(C)

(D)

(D)

ISSUE DATE:
October 17, 2017

Issued Under Transmittal No. 96
Vice President-Regulatory Operations
100 CenturyLink Drive
Monroe, Louisiana 71203

EFFECTIVE DATE:
November 1, 2017

ACCESS SERVICE

22. Reserved for Future Use (Cont'd)

(C)

(D)

(D)

ISSUE DATE:
October 17, 2017

Issued Under Transmittal No. 96
Vice President-Regulatory Operations
100 CenturyLink Drive
Monroe, Louisiana 71203

EFFECTIVE DATE:
November 1, 2017

ACCESS SERVICE

22. Reserved for Future Use (Cont'd)

(C)

(D)

(D)

ISSUE DATE:
October 17, 2017

Issued Under Transmittal No. 96
Vice President-Regulatory Operations
100 CenturyLink Drive
Monroe, Louisiana 71203

EFFECTIVE DATE:
November 1, 2017

ACCESS SERVICE

22. Reserved for Future Use (Cont'd)

(C)

(D)

(D)

ISSUE DATE:
October 17, 2017

Issued Under Transmittal No. 96
Vice President-Regulatory Operations
100 CenturyLink Drive
Monroe, Louisiana 71203

EFFECTIVE DATE:
November 1, 2017

ACCESS SERVICE

22. Reserved for Future Use (Cont'd)

(C)

(D)

(D)

ISSUE DATE:
October 17, 2017

Issued Under Transmittal No. 96
Vice President-Regulatory Operations
100 CenturyLink Drive
Monroe, Louisiana 71203

EFFECTIVE DATE:
November 1, 2017

ACCESS SERVICE

22. Reserved for Future Use (Cont'd)

(C)

(D)

(D)

ISSUE DATE:
October 17, 2017

Issued Under Transmittal No. 96
Vice President-Regulatory Operations
100 CenturyLink Drive
Monroe, Louisiana 71203

EFFECTIVE DATE:
November 1, 2017

ACCESS SERVICE

22. Reserved for Future Use (Cont'd)

(C)

(D)

(D)

ISSUE DATE:
October 17, 2017

Issued Under Transmittal No. 96
Vice President-Regulatory Operations
100 CenturyLink Drive
Monroe, Louisiana 71203

EFFECTIVE DATE:
November 1, 2017

ACCESS SERVICE

22. Reserved for Future Use (Cont'd)

(C)

(D)

(D)

ISSUE DATE:
October 17, 2017

Issued Under Transmittal No. 96
Vice President-Regulatory Operations
100 CenturyLink Drive
Monroe, Louisiana 71203

EFFECTIVE DATE:
November 1, 2017

ACCESS SERVICE

22. Reserved for Future Use (Cont'd)

(C)

(D)

(D)

ISSUE DATE:
October 17, 2017

Issued Under Transmittal No. 96
Vice President-Regulatory Operations
100 CenturyLink Drive
Monroe, Louisiana 71203

EFFECTIVE DATE:
November 1, 2017

ACCESS SERVICE

22. Reserved for Future Use (Cont'd)

(C)

(D)

(D)

ISSUE DATE:
October 17, 2017

Issued Under Transmittal No. 96
Vice President-Regulatory Operations
100 CenturyLink Drive
Monroe, Louisiana 71203

EFFECTIVE DATE:
November 1, 2017

ACCESS SERVICE

22. Reserved for Future Use (Cont'd)

(C)

(D)

(D)

ISSUE DATE:
October 17, 2017

Issued Under Transmittal No. 96
Vice President-Regulatory Operations
100 CenturyLink Drive
Monroe, Louisiana 71203

EFFECTIVE DATE:
November 1, 2017

ACCESS SERVICE

22. Reserved for Future Use (Cont'd)

(C)

(D)

(D)

ISSUE DATE:
October 17, 2017

Issued Under Transmittal No. 96
Vice President-Regulatory Operations
100 CenturyLink Drive
Monroe, Louisiana 71203

EFFECTIVE DATE:
November 1, 2017

ACCESS SERVICE

22. Reserved for Future Use (Cont'd)

(C)

(D)

(D)

ISSUE DATE:
October 17, 2017

Issued Under Transmittal No. 96
Vice President-Regulatory Operations
100 CenturyLink Drive
Monroe, Louisiana 71203

EFFECTIVE DATE:
November 1, 2017

ACCESS SERVICE

22. Reserved for Future Use (Cont'd)

(C)

(D)

(D)

ISSUE DATE:
October 17, 2017

Issued Under Transmittal No. 96
Vice President-Regulatory Operations
100 CenturyLink Drive
Monroe, Louisiana 71203

EFFECTIVE DATE:
November 1, 2017

ACCESS SERVICE

22. Reserved for Future Use (Cont'd)

(C)

(D)

(D)

ISSUE DATE:
October 17, 2017

Issued Under Transmittal No. 96
Vice President-Regulatory Operations
100 CenturyLink Drive
Monroe, Louisiana 71203

EFFECTIVE DATE:
November 1, 2017

ACCESS SERVICE

22. Reserved for Future Use (Cont'd)

(C)

(D)

(D)

ISSUE DATE:
October 17, 2017

Issued Under Transmittal No. 96
Vice President-Regulatory Operations
100 CenturyLink Drive
Monroe, Louisiana 71203

EFFECTIVE DATE:
November 1, 2017

ACCESS SERVICE

22. Reserved for Future Use (Cont'd)

(C)

(D)

(D)

ISSUE DATE:
October 17, 2017

Issued Under Transmittal No. 96
Vice President-Regulatory Operations
100 CenturyLink Drive
Monroe, Louisiana 71203

EFFECTIVE DATE:
November 1, 2017

ACCESS SERVICE

22. Reserved for Future Use (Cont'd)

(C)

(D)

(D)

ISSUE DATE:
October 17, 2017

Issued Under Transmittal No. 96
Vice President-Regulatory Operations
100 CenturyLink Drive
Monroe, Louisiana 71203

EFFECTIVE DATE:
November 1, 2017

ACCESS SERVICE

22. Reserved for Future Use (Cont'd)

(C)

(D)

(D)

ISSUE DATE:
October 17, 2017

Issued Under Transmittal No. 96
Vice President-Regulatory Operations
100 CenturyLink Drive
Monroe, Louisiana 71203

EFFECTIVE DATE:
November 1, 2017

ACCESS SERVICE

22. Reserved for Future Use (Cont'd)

(C)

(D)

(D)

ISSUE DATE:
October 17, 2017

Issued Under Transmittal No. 96
Vice President-Regulatory Operations
100 CenturyLink Drive
Monroe, Louisiana 71203

EFFECTIVE DATE:
November 1, 2017

ACCESS SERVICE

22. Reserved for Future Use (Cont'd)

(C)

(D)

(D)

ISSUE DATE:
October 17, 2017

Issued Under Transmittal No. 96
Vice President-Regulatory Operations
100 CenturyLink Drive
Monroe, Louisiana 71203

EFFECTIVE DATE:
November 1, 2017

ACCESS SERVICE

22. Reserved for Future Use (Cont'd)

(C)

(D)

(D)

ISSUE DATE:
October 17, 2017

Issued Under Transmittal No. 96
Vice President-Regulatory Operations
100 CenturyLink Drive
Monroe, Louisiana 71203

EFFECTIVE DATE:
November 1, 2017

ACCESS SERVICE

22. Reserved for Future Use (Cont'd)

(C)

(D)

(D)

ISSUE DATE:
October 17, 2017

Issued Under Transmittal No. 96
Vice President-Regulatory Operations
100 CenturyLink Drive
Monroe, Louisiana 71203

EFFECTIVE DATE:
November 1, 2017

ACCESS SERVICE

22. Reserved for Future Use (Cont'd)

(C)

(D)

(D)

ISSUE DATE:
October 17, 2017

Issued Under Transmittal No. 96
Vice President-Regulatory Operations
100 CenturyLink Drive
Monroe, Louisiana 71203

EFFECTIVE DATE:
November 1, 2017

ACCESS SERVICE

22. Reserved for Future Use (Cont'd)

(C)

(D)

(D)

ISSUE DATE:
October 17, 2017

Issued Under Transmittal No. 96
Vice President-Regulatory Operations
100 CenturyLink Drive
Monroe, Louisiana 71203

EFFECTIVE DATE:
November 1, 2017

ACCESS SERVICE

22. Reserved for Future Use (Cont'd)

(C)

(D)

(D)

ISSUE DATE:
October 17, 2017

Issued Under Transmittal No. 96
Vice President-Regulatory Operations
100 CenturyLink Drive
Monroe, Louisiana 71203

EFFECTIVE DATE:
November 1, 2017

ACCESS SERVICE

22. Reserved for Future Use (Cont'd)

(C)

(D)

(D)

ISSUE DATE:
October 17, 2017

Issued Under Transmittal No. 96
Vice President-Regulatory Operations
100 CenturyLink Drive
Monroe, Louisiana 71203

EFFECTIVE DATE:
November 1, 2017

ACCESS SERVICE

22. Reserved for Future Use (Cont'd)

(C)

(D)

(D)

ISSUE DATE:
October 17, 2017

Issued Under Transmittal No. 96
Vice President-Regulatory Operations
100 CenturyLink Drive
Monroe, Louisiana 71203

EFFECTIVE DATE:
November 1, 2017

ACCESS SERVICE

22. Reserved for Future Use (Cont'd)

(C)

(D)

(D)

ISSUE DATE:
October 17, 2017

Issued Under Transmittal No. 96
Vice President-Regulatory Operations
100 CenturyLink Drive
Monroe, Louisiana 71203

EFFECTIVE DATE:
November 1, 2017

ACCESS SERVICE

22. Reserved for Future Use (Cont'd)

(C)

(D)

(D)

ISSUE DATE:
October 17, 2017

Issued Under Transmittal No. 96
Vice President-Regulatory Operations
100 CenturyLink Drive
Monroe, Louisiana 71203

EFFECTIVE DATE:
November 1, 2017

ACCESS SERVICE

22. Reserved for Future Use (Cont'd)

(C)

(D)

(D)

(1) The CenturyLink services previously identified on this page are no longer offered under tariff. Effective March 13, 2015 the Commission granted forbearance from dominant carrier regulation of these services. http://transition.fcc.gov/Daily_Releases/Daily_Business/2015/db0316/DOC-332526A1.pdf
The rates, terms and conditions associated with these services are now available at:
<http://www.centurylink.com/Pages/AboutUs/Legal/Tariffs/displayTariffLandingPage.html>

ISSUE DATE:
April 16, 2015

Issued Under Transmittal No. 69
Vice President-Regulatory Operations
100 CenturyLink Drive
Monroe, Louisiana 71203

EFFECTIVE DATE:
May 1, 2015

ACCESS SERVICE

22. Reserved for Future Use (Cont'd)

(C)

(D)

(D)

(1) The CenturyLink services previously identified on this page are no longer offered under tariff. Effective March 13, 2015 the Commission granted forbearance from dominant carrier regulation of these services. http://transition.fcc.gov/Daily_Releases/Daily_Business/2015/db0316/DOC-332526A1.pdf
The rates, terms and conditions associated with these services are now available at:
<http://www.centurylink.com/Pages/AboutUs/Legal/Tariffs/displayTariffLandingPage.html>

ISSUE DATE:
April 16, 2015

Issued Under Transmittal No. 69
Vice President-Regulatory Operations
100 CenturyLink Drive
Monroe, Louisiana 71203

EFFECTIVE DATE:
May 1, 2015

ACCESS SERVICE

22. Reserved for Future Use (Cont'd)

(C)

(D)

(D)

(1) The CenturyLink services previously identified on this page are no longer offered under tariff. Effective March 13, 2015 the Commission granted forbearance from dominant carrier regulation of these services. http://transition.fcc.gov/Daily_Releases/Daily_Business/2015/db0316/DOC-332526A1.pdf
The rates, terms and conditions associated with these services are now available at:
<http://www.centurylink.com/Pages/AboutUs/Legal/Tariffs/displayTariffLandingPage.html>

ISSUE DATE:
April 16, 2015

Issued Under Transmittal No. 69
Vice President-Regulatory Operations
100 CenturyLink Drive
Monroe, Louisiana 71203

EFFECTIVE DATE:
May 1, 2015

ACCESS SERVICE

22. Reserved for Future Use (Cont'd)

(C)

(D)

(D)

(1) The CenturyLink services previously identified on this page are no longer offered under tariff. Effective March 13, 2015 the Commission granted forbearance from dominant carrier regulation of these services. http://transition.fcc.gov/Daily_Releases/Daily_Business/2015/db0316/DOC-332526A1.pdf
The rates, terms and conditions associated with these services are now available at:
<http://www.centurylink.com/Pages/AboutUs/Legal/Tariffs/displayTariffLandingPage.html>

ISSUE DATE:
April 16, 2015

Issued Under Transmittal No. 69
Vice President-Regulatory Operations
100 CenturyLink Drive
Monroe, Louisiana 71203

EFFECTIVE DATE:
May 1, 2015

ACCESS SERVICE

22. Reserved for Future Use (Cont'd)

(C)

(D)

(D)

(1) The CenturyLink services previously identified on this page are no longer offered under tariff. Effective March 13, 2015 the Commission granted forbearance from dominant carrier regulation of these services. http://transition.fcc.gov/Daily_Releases/Daily_Business/2015/db0316/DOC-332526A1.pdf
The rates, terms and conditions associated with these services are now available at:
<http://www.centurylink.com/Pages/AboutUs/Legal/Tariffs/displayTariffLandingPage.html>

ISSUE DATE:
April 16, 2015

Issued Under Transmittal No. 69
Vice President-Regulatory Operations
100 CenturyLink Drive
Monroe, Louisiana 71203

EFFECTIVE DATE:
May 1, 2015

ACCESS SERVICE

22. Reserved for Future Use (Cont'd)

(C)

(D)

(D)

(1) The CenturyLink services previously identified on this page are no longer offered under tariff. Effective March 13, 2015 the Commission granted forbearance from dominant carrier regulation of these services. http://transition.fcc.gov/Daily_Releases/Daily_Business/2015/db0316/DOC-332526A1.pdf
The rates, terms and conditions associated with these services are now available at:
<http://www.centurylink.com/Pages/AboutUs/Legal/Tariffs/displayTariffLandingPage.html>

ISSUE DATE:
April 16, 2015

Issued Under Transmittal No. 69
Vice President-Regulatory Operations
100 CenturyLink Drive
Monroe, Louisiana 71203

EFFECTIVE DATE:
May 1, 2015

ACCESS SERVICE

22. Reserved for Future Use (Cont'd)

(C)

(D)

(D)

(1) The CenturyLink services previously identified on this page are no longer offered under tariff. Effective March 13, 2015 the Commission granted forbearance from dominant carrier regulation of these services. http://transition.fcc.gov/Daily_Releases/Daily_Business/2015/db0316/DOC-332526A1.pdf
The rates, terms and conditions associated with these services are now available at:
<http://www.centurylink.com/Pages/AboutUs/Legal/Tariffs/displayTariffLandingPage.html>

ISSUE DATE:
April 16, 2015

Issued Under Transmittal No. 69
Vice President-Regulatory Operations
100 CenturyLink Drive
Monroe, Louisiana 71203

EFFECTIVE DATE:
May 1, 2015

ACCESS SERVICE

22. Reserved for Future Use (Cont'd)

(C)

(D)

(D)

(1) The CenturyLink services previously identified on this page are no longer offered under tariff. Effective March 13, 2015 the Commission granted forbearance from dominant carrier regulation of these services. http://transition.fcc.gov/Daily_Releases/Daily_Business/2015/db0316/DOC-332526A1.pdf
The rates, terms and conditions associated with these services are now available at:
<http://www.centurylink.com/Pages/AboutUs/Legal/Tariffs/displayTariffLandingPage.html>

ISSUE DATE:
April 16, 2015

Issued Under Transmittal No. 69
Vice President-Regulatory Operations
100 CenturyLink Drive
Monroe, Louisiana 71203

EFFECTIVE DATE:
May 1, 2015

ACCESS SERVICE

22. Reserved for Future Use (Cont'd)

(C)

(D)

(D)

(1) The CenturyLink services previously identified on this page are no longer offered under tariff. Effective March 13, 2015 the Commission granted forbearance from dominant carrier regulation of these services. http://transition.fcc.gov/Daily_Releases/Daily_Business/2015/db0316/DOC-332526A1.pdf
The rates, terms and conditions associated with these services are now available at:
<http://www.centurylink.com/Pages/AboutUs/Legal/Tariffs/displayTariffLandingPage.html>

ISSUE DATE:
April 16, 2015

Issued Under Transmittal No. 69
Vice President-Regulatory Operations
100 CenturyLink Drive
Monroe, Louisiana 71203

EFFECTIVE DATE:
May 1, 2015

ACCESS SERVICE

22. Reserved for Future Use (Cont'd)

(C)

(D)

(D)

(1) The CenturyLink services previously identified on this page are no longer offered under tariff. Effective March 13, 2015 the Commission granted forbearance from dominant carrier regulation of these services. http://transition.fcc.gov/Daily_Releases/Daily_Business/2015/db0316/DOC-332526A1.pdf
The rates, terms and conditions associated with these services are now available at:
<http://www.centurylink.com/Pages/AboutUs/Legal/Tariffs/displayTariffLandingPage.html>

ISSUE DATE:
April 16, 2015

Issued Under Transmittal No. 69
Vice President-Regulatory Operations
100 CenturyLink Drive
Monroe, Louisiana 71203

EFFECTIVE DATE:
May 1, 2015

ACCESS SERVICE

22. Reserved for Future Use (Cont'd)

(C)

(D)

(D)

(1) The CenturyLink services previously identified on this page are no longer offered under tariff. Effective March 13, 2015 the Commission granted forbearance from dominant carrier regulation of these services. http://transition.fcc.gov/Daily_Releases/Daily_Business/2015/db0316/DOC-332526A1.pdf
The rates, terms and conditions associated with these services are now available at:
<http://www.centurylink.com/Pages/AboutUs/Legal/Tariffs/displayTariffLandingPage.html>

ISSUE DATE:
April 16, 2015

Issued Under Transmittal No. 69
Vice President-Regulatory Operations
100 CenturyLink Drive
Monroe, Louisiana 71203

EFFECTIVE DATE:
May 1, 2015

ACCESS SERVICE

22. Reserved for Future Use (Cont'd)

(C)

(D)

(D)

(1) The CenturyLink services previously identified on this page are no longer offered under tariff. Effective March 13, 2015 the Commission granted forbearance from dominant carrier regulation of these services. http://transition.fcc.gov/Daily_Releases/Daily_Business/2015/db0316/DOC-332526A1.pdf
The rates, terms and conditions associated with these services are now available at:
<http://www.centurylink.com/Pages/AboutUs/Legal/Tariffs/displayTariffLandingPage.html>

ISSUE DATE:
April 16, 2015

Issued Under Transmittal No. 69
Vice President-Regulatory Operations
100 CenturyLink Drive
Monroe, Louisiana 71203

EFFECTIVE DATE:
May 1, 2015

ACCESS SERVICE

22. Reserved for Future Use (Cont'd)

(C)

(D)

(D)

(1) The CenturyLink services previously identified on this page are no longer offered under tariff. Effective March 13, 2015 the Commission granted forbearance from dominant carrier regulation of these services. http://transition.fcc.gov/Daily_Releases/Daily_Business/2015/db0316/DOC-332526A1.pdf
The rates, terms and conditions associated with these services are now available at:
<http://www.centurylink.com/Pages/AboutUs/Legal/Tariffs/displayTariffLandingPage.html>

ISSUE DATE:
April 16, 2015

Issued Under Transmittal No. 69
Vice President-Regulatory Operations
100 CenturyLink Drive
Monroe, Louisiana 71203

EFFECTIVE DATE:
May 1, 2015

ACCESS SERVICE

22. Reserved for Future Use (Cont'd)

(C)

(D)

(D)

(1) The CenturyLink services previously identified on this page are no longer offered under tariff. Effective March 13, 2015 the Commission granted forbearance from dominant carrier regulation of these services. http://transition.fcc.gov/Daily_Releases/Daily_Business/2015/db0316/DOC-332526A1.pdf
The rates, terms and conditions associated with these services are now available at:
<http://www.centurylink.com/Pages/AboutUs/Legal/Tariffs/displayTariffLandingPage.html>

ISSUE DATE:
April 16, 2015

Issued Under Transmittal No. 69
Vice President-Regulatory Operations
100 CenturyLink Drive
Monroe, Louisiana 71203

EFFECTIVE DATE:
May 1, 2015

ACCESS SERVICE

22. Reserved for Future Use (Cont'd)

(C)

(D)

(D)

(1) The CenturyLink services previously identified on this page are no longer offered under tariff. Effective March 13, 2015 the Commission granted forbearance from dominant carrier regulation of these services. http://transition.fcc.gov/Daily_Releases/Daily_Business/2015/db0316/DOC-332526A1.pdf
The rates, terms and conditions associated with these services are now available at:
<http://www.centurylink.com/Pages/AboutUs/Legal/Tariffs/displayTariffLandingPage.html>

ISSUE DATE:
April 16, 2015

Issued Under Transmittal No. 69
Vice President-Regulatory Operations
100 CenturyLink Drive
Monroe, Louisiana 71203

EFFECTIVE DATE:
May 1, 2015

ACCESS SERVICE

22. Reserved for Future Use (Cont'd)

(C)

(D)

(D)

(1) The CenturyLink services previously identified on this page are no longer offered under tariff. Effective March 13, 2015 the Commission granted forbearance from dominant carrier regulation of these services. http://transition.fcc.gov/Daily_Releases/Daily_Business/2015/db0316/DOC-332526A1.pdf
The rates, terms and conditions associated with these services are now available at:
<http://www.centurylink.com/Pages/AboutUs/Legal/Tariffs/displayTariffLandingPage.html>

ISSUE DATE:
April 16, 2015

Issued Under Transmittal No. 69
Vice President-Regulatory Operations
100 CenturyLink Drive
Monroe, Louisiana 71203

EFFECTIVE DATE:
May 1, 2015

ACCESS SERVICE

22. Reserved for Future Use (Cont'd)

(C)

(D)

(D)

(1) The CenturyLink services previously identified on this page are no longer offered under tariff. Effective March 13, 2015 the Commission granted forbearance from dominant carrier regulation of these services. http://transition.fcc.gov/Daily_Releases/Daily_Business/2015/db0316/DOC-332526A1.pdf
The rates, terms and conditions associated with these services are now available at:
<http://www.centurylink.com/Pages/AboutUs/Legal/Tariffs/displayTariffLandingPage.html>

ISSUE DATE:
April 16, 2015

Issued Under Transmittal No. 69
Vice President-Regulatory Operations
100 CenturyLink Drive
Monroe, Louisiana 71203

EFFECTIVE DATE:
May 1, 2015

ACCESS SERVICE

22. Reserved for Future Use (Cont'd)

(C)

(D)

(D)

(1) The CenturyLink services previously identified on this page are no longer offered under tariff. Effective March 13, 2015 the Commission granted forbearance from dominant carrier regulation of these services. http://transition.fcc.gov/Daily_Releases/Daily_Business/2015/db0316/DOC-332526A1.pdf
The rates, terms and conditions associated with these services are now available at:
<http://www.centurylink.com/Pages/AboutUs/Legal/Tariffs/displayTariffLandingPage.html>

ISSUE DATE:
April 16, 2015

Issued Under Transmittal No. 69
Vice President-Regulatory Operations
100 CenturyLink Drive
Monroe, Louisiana 71203

EFFECTIVE DATE:
May 1, 2015

ACCESS SERVICE

22. Reserved for Future Use (Cont'd)

(C)

(D)

(D)

(1) The CenturyLink services previously identified on this page are no longer offered under tariff. Effective March 13, 2015 the Commission granted forbearance from dominant carrier regulation of these services. http://transition.fcc.gov/Daily_Releases/Daily_Business/2015/db0316/DOC-332526A1.pdf
The rates, terms and conditions associated with these services are now available at:
<http://www.centurylink.com/Pages/AboutUs/Legal/Tariffs/displayTariffLandingPage.html>

ISSUE DATE:
April 16, 2015

Issued Under Transmittal No. 69
Vice President-Regulatory Operations
100 CenturyLink Drive
Monroe, Louisiana 71203

EFFECTIVE DATE:
May 1, 2015

ACCESS SERVICE

22. Reserved for Future Use (Cont'd)

(C)

(D)

(D)

(1) The CenturyLink services previously identified on this page are no longer offered under tariff. Effective March 13, 2015 the Commission granted forbearance from dominant carrier regulation of these services. http://transition.fcc.gov/Daily_Releases/Daily_Business/2015/db0316/DOC-332526A1.pdf
The rates, terms and conditions associated with these services are now available at:
<http://www.centurylink.com/Pages/AboutUs/Legal/Tariffs/displayTariffLandingPage.html>

ISSUE DATE:
April 16, 2015

Issued Under Transmittal No. 69
Vice President-Regulatory Operations
100 CenturyLink Drive
Monroe, Louisiana 71203

EFFECTIVE DATE:
May 1, 2015

ACCESS SERVICE

22. Reserved for Future Use (Cont'd)

(C)

(D)

(D)

(1) The CenturyLink services previously identified on this page are no longer offered under tariff. Effective March 13, 2015 the Commission granted forbearance from dominant carrier regulation of these services. http://transition.fcc.gov/Daily_Releases/Daily_Business/2015/db0316/DOC-332526A1.pdf
The rates, terms and conditions associated with these services are now available at:
<http://www.centurylink.com/Pages/AboutUs/Legal/Tariffs/displayTariffLandingPage.html>

ISSUE DATE:
April 16, 2015

Issued Under Transmittal No. 69
Vice President-Regulatory Operations
100 CenturyLink Drive
Monroe, Louisiana 71203

EFFECTIVE DATE:
May 1, 2015

ACCESS SERVICE

22. Reserved for Future Use (Cont'd)

(C)

(D)

(D)

(1) The CenturyLink services previously identified on this page are no longer offered under tariff. Effective March 13, 2015 the Commission granted forbearance from dominant carrier regulation of these services. http://transition.fcc.gov/Daily_Releases/Daily_Business/2015/db0316/DOC-332526A1.pdf
The rates, terms and conditions associated with these services are now available at:
<http://www.centurylink.com/Pages/AboutUs/Legal/Tariffs/displayTariffLandingPage.html>

ISSUE DATE:
April 16, 2015

Issued Under Transmittal No. 69
Vice President-Regulatory Operations
100 CenturyLink Drive
Monroe, Louisiana 71203

EFFECTIVE DATE:
May 1, 2015

ACCESS SERVICE

22. Reserved for Future Use (Cont'd)

(C)

(D)

(D)

(1) The CenturyLink services previously identified on this page are no longer offered under tariff. Effective March 13, 2015 the Commission granted forbearance from dominant carrier regulation of these services. http://transition.fcc.gov/Daily_Releases/Daily_Business/2015/db0316/DOC-332526A1.pdf
The rates, terms and conditions associated with these services are now available at:
<http://www.centurylink.com/Pages/AboutUs/Legal/Tariffs/displayTariffLandingPage.html>

ISSUE DATE:
April 16, 2015

Issued Under Transmittal No. 69
Vice President-Regulatory Operations
100 CenturyLink Drive
Monroe, Louisiana 71203

EFFECTIVE DATE:
May 1, 2015

ACCESS SERVICE

22. Reserved for Future Use (Cont'd)

(C)

(D)

(D)

(1) The CenturyLink services previously identified on this page are no longer offered under tariff. Effective March 13, 2015 the Commission granted forbearance from dominant carrier regulation of these services. http://transition.fcc.gov/Daily_Releases/Daily_Business/2015/db0316/DOC-332526A1.pdf
The rates, terms and conditions associated with these services are now available at:
<http://www.centurylink.com/Pages/AboutUs/Legal/Tariffs/displayTariffLandingPage.html>

ISSUE DATE:
April 16, 2015

Issued Under Transmittal No. 69
Vice President-Regulatory Operations
100 CenturyLink Drive
Monroe, Louisiana 71203

EFFECTIVE DATE:
May 1, 2015

ACCESS SERVICE

22. Reserved for Future Use (Cont'd)

(C)

(D)

(D)

(1) The CenturyLink services previously identified on this page are no longer offered under tariff. Effective March 13, 2015 the Commission granted forbearance from dominant carrier regulation of these services. http://transition.fcc.gov/Daily_Releases/Daily_Business/2015/db0316/DOC-332526A1.pdf
The rates, terms and conditions associated with these services are now available at:
<http://www.centurylink.com/Pages/AboutUs/Legal/Tariffs/displayTariffLandingPage.html>

ISSUE DATE:
April 16, 2015

Issued Under Transmittal No. 69
Vice President-Regulatory Operations
100 CenturyLink Drive
Monroe, Louisiana 71203

EFFECTIVE DATE:
May 1, 2015

ACCESS SERVICE

22. Reserved for Future Use (Cont'd)

(C)

(D)

(D)

(1) The CenturyLink services previously identified on this page are no longer offered under tariff. Effective March 13, 2015 the Commission granted forbearance from dominant carrier regulation of these services. http://transition.fcc.gov/Daily_Releases/Daily_Business/2015/db0316/DOC-332526A1.pdf
The rates, terms and conditions associated with these services are now available at:
<http://www.centurylink.com/Pages/AboutUs/Legal/Tariffs/displayTariffLandingPage.html>

ISSUE DATE:
April 16, 2015

Issued Under Transmittal No. 69
Vice President-Regulatory Operations
100 CenturyLink Drive
Monroe, Louisiana 71203

EFFECTIVE DATE:
May 1, 2015

ACCESS SERVICE

22. Reserved for Future Use (Cont'd)

(C)

(D)

(D)

(1) The CenturyLink services previously identified on this page are no longer offered under tariff. Effective March 13, 2015 the Commission granted forbearance from dominant carrier regulation of these services. http://transition.fcc.gov/Daily_Releases/Daily_Business/2015/db0316/DOC-332526A1.pdf
The rates, terms and conditions associated with these services are now available at:
<http://www.centurylink.com/Pages/AboutUs/Legal/Tariffs/displayTariffLandingPage.html>

ISSUE DATE:
April 16, 2015

Issued Under Transmittal No. 69
Vice President-Regulatory Operations
100 CenturyLink Drive
Monroe, Louisiana 71203

EFFECTIVE DATE:
May 1, 2015

ACCESS SERVICE

22. Reserved for Future Use (Cont'd)

(C)

(D)

(D)

(1) The CenturyLink services previously identified on this page are no longer offered under tariff. Effective March 13, 2015 the Commission granted forbearance from dominant carrier regulation of these services. http://transition.fcc.gov/Daily_Releases/Daily_Business/2015/db0316/DOC-332526A1.pdf
The rates, terms and conditions associated with these services are now available at:
<http://www.centurylink.com/Pages/AboutUs/Legal/Tariffs/displayTariffLandingPage.html>

ISSUE DATE:
April 16, 2015

Issued Under Transmittal No. 69
Vice President-Regulatory Operations
100 CenturyLink Drive
Monroe, Louisiana 71203

EFFECTIVE DATE:
May 1, 2015

ACCESS SERVICE

22. Reserved for Future Use (Cont'd)

(C)

(D)

(D)

(1) The CenturyLink services previously identified on this page are no longer offered under tariff. Effective March 13, 2015 the Commission granted forbearance from dominant carrier regulation of these services. http://transition.fcc.gov/Daily_Releases/Daily_Business/2015/db0316/DOC-332526A1.pdf
The rates, terms and conditions associated with these services are now available at:
<http://www.centurylink.com/Pages/AboutUs/Legal/Tariffs/displayTariffLandingPage.html>

ISSUE DATE:
April 16, 2015

Issued Under Transmittal No. 69
Vice President-Regulatory Operations
100 CenturyLink Drive
Monroe, Louisiana 71203

EFFECTIVE DATE:
May 1, 2015

ACCESS SERVICE

22. Reserved for Future Use (Cont'd)

(C)

(D)

(D)

(1) The CenturyLink services previously identified on this page are no longer offered under tariff. Effective March 13, 2015 the Commission granted forbearance from dominant carrier regulation of these services. http://transition.fcc.gov/Daily_Releases/Daily_Business/2015/db0316/DOC-332526A1.pdf
The rates, terms and conditions associated with these services are now available at:
<http://www.centurylink.com/Pages/AboutUs/Legal/Tariffs/displayTariffLandingPage.html>

ISSUE DATE:
April 16, 2015

Issued Under Transmittal No. 69
Vice President-Regulatory Operations
100 CenturyLink Drive
Monroe, Louisiana 71203

EFFECTIVE DATE:
May 1, 2015

ACCESS SERVICE

22. Reserved for Future Use (Cont'd)

(C)

(D)

(D)

(1) The CenturyLink services previously identified on this page are no longer offered under tariff. Effective March 13, 2015 the Commission granted forbearance from dominant carrier regulation of these services. http://transition.fcc.gov/Daily_Releases/Daily_Business/2015/db0316/DOC-332526A1.pdf
The rates, terms and conditions associated with these services are now available at:
<http://www.centurylink.com/Pages/AboutUs/Legal/Tariffs/displayTariffLandingPage.html>

ISSUE DATE:
April 16, 2015

Issued Under Transmittal No. 69
Vice President-Regulatory Operations
100 CenturyLink Drive
Monroe, Louisiana 71203

EFFECTIVE DATE:
May 1, 2015

ACCESS SERVICE

22. Reserved for Future Use (Cont'd)

(C)

(D)

(D)

(1) The CenturyLink services previously identified on this page are no longer offered under tariff. Effective March 13, 2015 the Commission granted forbearance from dominant carrier regulation of these services. http://transition.fcc.gov/Daily_Releases/Daily_Business/2015/db0316/DOC-332526A1.pdf
The rates, terms and conditions associated with these services are now available at:
<http://www.centurylink.com/Pages/AboutUs/Legal/Tariffs/displayTariffLandingPage.html>

ISSUE DATE:
April 16, 2015

Issued Under Transmittal No. 69
Vice President-Regulatory Operations
100 CenturyLink Drive
Monroe, Louisiana 71203

EFFECTIVE DATE:
May 1, 2015

ACCESS SERVICE

22. Reserved for Future Use (Cont'd)

(C)

(D)

(D)

(1) The CenturyLink services previously identified on this page are no longer offered under tariff. Effective March 13, 2015 the Commission granted forbearance from dominant carrier regulation of these services. http://transition.fcc.gov/Daily_Releases/Daily_Business/2015/db0316/DOC-332526A1.pdf
The rates, terms and conditions associated with these services are now available at:
<http://www.centurylink.com/Pages/AboutUs/Legal/Tariffs/displayTariffLandingPage.html>

ISSUE DATE:
April 16, 2015

Issued Under Transmittal No. 69
Vice President-Regulatory Operations
100 CenturyLink Drive
Monroe, Louisiana 71203

EFFECTIVE DATE:
May 1, 2015

ACCESS SERVICE

22. Reserved for Future Use (Cont'd)

(C)

(D)

(D)

(1) The CenturyLink services previously identified on this page are no longer offered under tariff. Effective March 13, 2015 the Commission granted forbearance from dominant carrier regulation of these services. http://transition.fcc.gov/Daily_Releases/Daily_Business/2015/db0316/DOC-332526A1.pdf
The rates, terms and conditions associated with these services are now available at:
<http://www.centurylink.com/Pages/AboutUs/Legal/Tariffs/displayTariffLandingPage.html>

ISSUE DATE:
April 16, 2015

Issued Under Transmittal No. 69
Vice President-Regulatory Operations
100 CenturyLink Drive
Monroe, Louisiana 71203

EFFECTIVE DATE:
May 1, 2015

ACCESS SERVICE

22. Reserved for Future Use (Cont'd)

(C)

(D)

(D)

(1) The CenturyLink services previously identified on this page are no longer offered under tariff. Effective March 13, 2015 the Commission granted forbearance from dominant carrier regulation of these services. http://transition.fcc.gov/Daily_Releases/Daily_Business/2015/db0316/DOC-332526A1.pdf
The rates, terms and conditions associated with these services are now available at:
<http://www.centurylink.com/Pages/AboutUs/Legal/Tariffs/displayTariffLandingPage.html>

ISSUE DATE:
April 16, 2015

Issued Under Transmittal No. 69
Vice President-Regulatory Operations
100 CenturyLink Drive
Monroe, Louisiana 71203

EFFECTIVE DATE:
May 1, 2015

ACCESS SERVICE

22. Reserved for Future Use (Cont'd)

(C)

(D)

(D)

(1) The CenturyLink services previously identified on this page are no longer offered under tariff. Effective March 13, 2015 the Commission granted forbearance from dominant carrier regulation of these services. http://transition.fcc.gov/Daily_Releases/Daily_Business/2015/db0316/DOC-332526A1.pdf
The rates, terms and conditions associated with these services are now available at:
<http://www.centurylink.com/Pages/AboutUs/Legal/Tariffs/displayTariffLandingPage.html>

ISSUE DATE:
April 16, 2015

Issued Under Transmittal No. 69
Vice President-Regulatory Operations
100 CenturyLink Drive
Monroe, Louisiana 71203

EFFECTIVE DATE:
May 1, 2015

ACCESS SERVICE

22. Reserved for Future Use (Cont'd)

(C)

(D)

(D)

(1) The CenturyLink services previously identified on this page are no longer offered under tariff. Effective March 13, 2015 the Commission granted forbearance from dominant carrier regulation of these services. http://transition.fcc.gov/Daily_Releases/Daily_Business/2015/db0316/DOC-332526A1.pdf
The rates, terms and conditions associated with these services are now available at:
<http://www.centurylink.com/Pages/AboutUs/Legal/Tariffs/displayTariffLandingPage.html>

ISSUE DATE:
April 16, 2015

Issued Under Transmittal No. 69
Vice President-Regulatory Operations
100 CenturyLink Drive
Monroe, Louisiana 71203

EFFECTIVE DATE:
May 1, 2015

ACCESS SERVICE

22. Reserved for Future Use (Cont'd)

(C)

(D)

(D)

(1) The CenturyLink services previously identified on this page are no longer offered under tariff. Effective March 13, 2015 the Commission granted forbearance from dominant carrier regulation of these services. http://transition.fcc.gov/Daily_Releases/Daily_Business/2015/db0316/DOC-332526A1.pdf
The rates, terms and conditions associated with these services are now available at:
<http://www.centurylink.com/Pages/AboutUs/Legal/Tariffs/displayTariffLandingPage.html>

ISSUE DATE:
April 16, 2015

Issued Under Transmittal No. 69
Vice President-Regulatory Operations
100 CenturyLink Drive
Monroe, Louisiana 71203

EFFECTIVE DATE:
May 1, 2015

ACCESS SERVICE

22. Reserved for Future Use (Cont'd)

(C)

(D)

(D)

(1) The CenturyLink services previously identified on this page are no longer offered under tariff. Effective March 13, 2015 the Commission granted forbearance from dominant carrier regulation of these services. http://transition.fcc.gov/Daily_Releases/Daily_Business/2015/db0316/DOC-332526A1.pdf
The rates, terms and conditions associated with these services are now available at:
<http://www.centurylink.com/Pages/AboutUs/Legal/Tariffs/displayTariffLandingPage.html>

ISSUE DATE:
April 16, 2015

Issued Under Transmittal No. 69
Vice President-Regulatory Operations
100 CenturyLink Drive
Monroe, Louisiana 71203

EFFECTIVE DATE:
May 1, 2015

ACCESS SERVICE

22. Reserved for Future Use (Cont'd)

(C)

(D)

(D)

(1) The CenturyLink services previously identified on this page are no longer offered under tariff. Effective March 13, 2015 the Commission granted forbearance from dominant carrier regulation of these services. http://transition.fcc.gov/Daily_Releases/Daily_Business/2015/db0316/DOC-332526A1.pdf
The rates, terms and conditions associated with these services are now available at:
<http://www.centurylink.com/Pages/AboutUs/Legal/Tariffs/displayTariffLandingPage.html>

ISSUE DATE:
April 16, 2015

Issued Under Transmittal No. 69
Vice President-Regulatory Operations
100 CenturyLink Drive
Monroe, Louisiana 71203

EFFECTIVE DATE:
May 1, 2015

ACCESS SERVICE

22. Reserved for Future Use (Cont'd)

(C)

(D)

(D)

(1) The CenturyLink services previously identified on this page are no longer offered under tariff. Effective March 13, 2015 the Commission granted forbearance from dominant carrier regulation of these services. http://transition.fcc.gov/Daily_Releases/Daily_Business/2015/db0316/DOC-332526A1.pdf
The rates, terms and conditions associated with these services are now available at:
<http://www.centurylink.com/Pages/AboutUs/Legal/Tariffs/displayTariffLandingPage.html>

ISSUE DATE:
April 16, 2015

Issued Under Transmittal No. 69
Vice President-Regulatory Operations
100 CenturyLink Drive
Monroe, Louisiana 71203

EFFECTIVE DATE:
May 1, 2015

ACCESS SERVICE

22. Reserved for Future Use (Cont'd)

(C)

(D)

(D)

(1) The CenturyLink services previously identified on this page are no longer offered under tariff. Effective March 13, 2015 the Commission granted forbearance from dominant carrier regulation of these services. http://transition.fcc.gov/Daily_Releases/Daily_Business/2015/db0316/DOC-332526A1.pdf
The rates, terms and conditions associated with these services are now available at:
<http://www.centurylink.com/Pages/AboutUs/Legal/Tariffs/displayTariffLandingPage.html>

ISSUE DATE:
April 16, 2015

Issued Under Transmittal No. 69
Vice President-Regulatory Operations
100 CenturyLink Drive
Monroe, Louisiana 71203

EFFECTIVE DATE:
May 1, 2015

ACCESS SERVICE

22. Reserved for Future Use (Cont'd)

(C)

(D)

(D)

(1) The CenturyLink services previously identified on this page are no longer offered under tariff. Effective March 13, 2015 the Commission granted forbearance from dominant carrier regulation of these services. http://transition.fcc.gov/Daily_Releases/Daily_Business/2015/db0316/DOC-332526A1.pdf
The rates, terms and conditions associated with these services are now available at:
<http://www.centurylink.com/Pages/AboutUs/Legal/Tariffs/displayTariffLandingPage.html>

ISSUE DATE:
April 16, 2015

Issued Under Transmittal No. 69
Vice President-Regulatory Operations
100 CenturyLink Drive
Monroe, Louisiana 71203

EFFECTIVE DATE:
May 1, 2015

ACCESS SERVICE

22. Reserved for Future Use (Cont'd)

(C)

(D)

(D)

(1) The CenturyLink services previously identified on this page are no longer offered under tariff. Effective March 13, 2015 the Commission granted forbearance from dominant carrier regulation of these services. http://transition.fcc.gov/Daily_Releases/Daily_Business/2015/db0316/DOC-332526A1.pdf
The rates, terms and conditions associated with these services are now available at:
<http://www.centurylink.com/Pages/AboutUs/Legal/Tariffs/displayTariffLandingPage.html>

ISSUE DATE:
April 16, 2015

Issued Under Transmittal No. 69
Vice President-Regulatory Operations
100 CenturyLink Drive
Monroe, Louisiana 71203

EFFECTIVE DATE:
May 1, 2015

ACCESS SERVICE

22. Reserved for Future Use (Cont'd)

(C)

(D)

(D)

(1) The CenturyLink services previously identified on this page are no longer offered under tariff. Effective March 13, 2015 the Commission granted forbearance from dominant carrier regulation of these services. http://transition.fcc.gov/Daily_Releases/Daily_Business/2015/db0316/DOC-332526A1.pdf
The rates, terms and conditions associated with these services are now available at:
<http://www.centurylink.com/Pages/AboutUs/Legal/Tariffs/displayTariffLandingPage.html>

ISSUE DATE:
April 16, 2015

Issued Under Transmittal No. 69
Vice President-Regulatory Operations
100 CenturyLink Drive
Monroe, Louisiana 71203

EFFECTIVE DATE:
May 1, 2015

ACCESS SERVICE

22. Reserved for Future Use (Cont'd)

(C)

(D)

(D)

(1) The CenturyLink services previously identified on this page are no longer offered under tariff. Effective March 13, 2015 the Commission granted forbearance from dominant carrier regulation of these services. http://transition.fcc.gov/Daily_Releases/Daily_Business/2015/db0316/DOC-332526A1.pdf
The rates, terms and conditions associated with these services are now available at:
<http://www.centurylink.com/Pages/AboutUs/Legal/Tariffs/displayTariffLandingPage.html>

ISSUE DATE:
April 16, 2015

Issued Under Transmittal No. 69
Vice President-Regulatory Operations
100 CenturyLink Drive
Monroe, Louisiana 71203

EFFECTIVE DATE:
May 1, 2015

ACCESS SERVICE

22. Reserved for Future Use (Cont'd)

(C)

(D)

(D)

(1) The CenturyLink services previously identified on this page are no longer offered under tariff. Effective March 13, 2015 the Commission granted forbearance from dominant carrier regulation of these services. http://transition.fcc.gov/Daily_Releases/Daily_Business/2015/db0316/DOC-332526A1.pdf
The rates, terms and conditions associated with these services are now available at:
<http://www.centurylink.com/Pages/AboutUs/Legal/Tariffs/displayTariffLandingPage.html>

ISSUE DATE:
April 16, 2015

Issued Under Transmittal No. 69
Vice President-Regulatory Operations
100 CenturyLink Drive
Monroe, Louisiana 71203

EFFECTIVE DATE:
May 1, 2015

ACCESS SERVICE

22. Reserved for Future Use (Cont'd)

(C)

(D)

(D)

(1) The CenturyLink services previously identified on this page are no longer offered under tariff. Effective March 13, 2015 the Commission granted forbearance from dominant carrier regulation of these services. http://transition.fcc.gov/Daily_Releases/Daily_Business/2015/db0316/DOC-332526A1.pdf
The rates, terms and conditions associated with these services are now available at:
<http://www.centurylink.com/Pages/AboutUs/Legal/Tariffs/displayTariffLandingPage.html>

ISSUE DATE:
April 16, 2015

Issued Under Transmittal No. 69
Vice President-Regulatory Operations
100 CenturyLink Drive
Monroe, Louisiana 71203

EFFECTIVE DATE:
May 1, 2015

ACCESS SERVICE

22. Reserved for Future Use (Cont'd)

(C)

(D)

(D)

(1) The CenturyLink services previously identified on this page are no longer offered under tariff. Effective March 13, 2015 the Commission granted forbearance from dominant carrier regulation of these services. http://transition.fcc.gov/Daily_Releases/Daily_Business/2015/db0316/DOC-332526A1.pdf
The rates, terms and conditions associated with these services are now available at:
<http://www.centurylink.com/Pages/AboutUs/Legal/Tariffs/displayTariffLandingPage.html>

ISSUE DATE:
April 16, 2015

Issued Under Transmittal No. 69
Vice President-Regulatory Operations
100 CenturyLink Drive
Monroe, Louisiana 71203

EFFECTIVE DATE:
May 1, 2015

ACCESS SERVICE

22. Reserved for Future Use (Cont'd)

(C)

(D)

(D)

(1) The CenturyLink services previously identified on this page are no longer offered under tariff. Effective March 13, 2015 the Commission granted forbearance from dominant carrier regulation of these services. http://transition.fcc.gov/Daily_Releases/Daily_Business/2015/db0316/DOC-332526A1.pdf
The rates, terms and conditions associated with these services are now available at:
<http://www.centurylink.com/Pages/AboutUs/Legal/Tariffs/displayTariffLandingPage.html>

ISSUE DATE:
April 16, 2015

Issued Under Transmittal No. 69
Vice President-Regulatory Operations
100 CenturyLink Drive
Monroe, Louisiana 71203

EFFECTIVE DATE:
May 1, 2015

ACCESS SERVICE

22. Reserved for Future Use (Cont'd)

(C)

(D)

(D)

(1) The CenturyLink services previously identified on this page are no longer offered under tariff. Effective March 13, 2015 the Commission granted forbearance from dominant carrier regulation of these services. http://transition.fcc.gov/Daily_Releases/Daily_Business/2015/db0316/DOC-332526A1.pdf
The rates, terms and conditions associated with these services are now available at:
<http://www.centurylink.com/Pages/AboutUs/Legal/Tariffs/displayTariffLandingPage.html>

ISSUE DATE:
April 16, 2015

Issued Under Transmittal No. 69
Vice President-Regulatory Operations
100 CenturyLink Drive
Monroe, Louisiana 71203

EFFECTIVE DATE:
May 1, 2015

ACCESS SERVICE

22. Reserved for Future Use (Cont'd)

(C)

(D)

(D)

(1) The CenturyLink services previously identified on this page are no longer offered under tariff. Effective March 13, 2015 the Commission granted forbearance from dominant carrier regulation of these services. http://transition.fcc.gov/Daily_Releases/Daily_Business/2015/db0316/DOC-332526A1.pdf
The rates, terms and conditions associated with these services are now available at:
<http://www.centurylink.com/Pages/AboutUs/Legal/Tariffs/displayTariffLandingPage.html>

ISSUE DATE:
April 16, 2015

Issued Under Transmittal No. 69
Vice President-Regulatory Operations
100 CenturyLink Drive
Monroe, Louisiana 71203

EFFECTIVE DATE:
May 1, 2015

ACCESS SERVICE

22. Reserved for Future Use (Cont'd)

(C)

(D)

(D)

(1) The CenturyLink services previously identified on this page are no longer offered under tariff. Effective March 13, 2015 the Commission granted forbearance from dominant carrier regulation of these services. http://transition.fcc.gov/Daily_Releases/Daily_Business/2015/db0316/DOC-332526A1.pdf
The rates, terms and conditions associated with these services are now available at:
<http://www.centurylink.com/Pages/AboutUs/Legal/Tariffs/displayTariffLandingPage.html>

ISSUE DATE:
April 16, 2015

Issued Under Transmittal No. 69
Vice President-Regulatory Operations
100 CenturyLink Drive
Monroe, Louisiana 71203

EFFECTIVE DATE:
May 1, 2015

ACCESS SERVICE

22. Reserved for Future Use (Cont'd)

(C)

(D)

(D)

(1) The CenturyLink services previously identified on this page are no longer offered under tariff. Effective March 13, 2015 the Commission granted forbearance from dominant carrier regulation of these services. http://transition.fcc.gov/Daily_Releases/Daily_Business/2015/db0316/DOC-332526A1.pdf
The rates, terms and conditions associated with these services are now available at:
<http://www.centurylink.com/Pages/AboutUs/Legal/Tariffs/displayTariffLandingPage.html>

ISSUE DATE:
April 16, 2015

Issued Under Transmittal No. 69
Vice President-Regulatory Operations
100 CenturyLink Drive
Monroe, Louisiana 71203

EFFECTIVE DATE:
May 1, 2015

ACCESS SERVICE

22. Reserved for Future Use (Cont'd)

(C)

(D)

(D)

(1) The CenturyLink services previously identified on this page are no longer offered under tariff. Effective March 13, 2015 the Commission granted forbearance from dominant carrier regulation of these services. http://transition.fcc.gov/Daily_Releases/Daily_Business/2015/db0316/DOC-332526A1.pdf
The rates, terms and conditions associated with these services are now available at:
<http://www.centurylink.com/Pages/AboutUs/Legal/Tariffs/displayTariffLandingPage.html>

ISSUE DATE:
April 16, 2015

Issued Under Transmittal No. 69
Vice President-Regulatory Operations
100 CenturyLink Drive
Monroe, Louisiana 71203

EFFECTIVE DATE:
May 1, 2015

ACCESS SERVICE

22. Reserved for Future Use (Cont'd)

(C)

(D)

(D)

(1) The CenturyLink services previously identified on this page are no longer offered under tariff. Effective March 13, 2015 the Commission granted forbearance from dominant carrier regulation of these services. http://transition.fcc.gov/Daily_Releases/Daily_Business/2015/db0316/DOC-332526A1.pdf
The rates, terms and conditions associated with these services are now available at:
<http://www.centurylink.com/Pages/AboutUs/Legal/Tariffs/displayTariffLandingPage.html>

ISSUE DATE:
April 16, 2015

Issued Under Transmittal No. 69
Vice President-Regulatory Operations
100 CenturyLink Drive
Monroe, Louisiana 71203

EFFECTIVE DATE:
May 1, 2015

ACCESS SERVICE

22. Reserved for Future Use (Cont'd)

(C)

(D)

(D)

(1) The CenturyLink services previously identified on this page are no longer offered under tariff. Effective March 13, 2015 the Commission granted forbearance from dominant carrier regulation of these services. http://transition.fcc.gov/Daily_Releases/Daily_Business/2015/db0316/DOC-332526A1.pdf
The rates, terms and conditions associated with these services are now available at:
<http://www.centurylink.com/Pages/AboutUs/Legal/Tariffs/displayTariffLandingPage.html>

ISSUE DATE:
April 16, 2015

Issued Under Transmittal No. 69
Vice President-Regulatory Operations
100 CenturyLink Drive
Monroe, Louisiana 71203

EFFECTIVE DATE:
May 1, 2015

ACCESS SERVICE

22. Reserved for Future Use (Cont'd)

(C)

(D)

(D)

(1) The CenturyLink services previously identified on this page are no longer offered under tariff. Effective March 13, 2015 the Commission granted forbearance from dominant carrier regulation of these services. http://transition.fcc.gov/Daily_Releases/Daily_Business/2015/db0316/DOC-332526A1.pdf
The rates, terms and conditions associated with these services are now available at:
<http://www.centurylink.com/Pages/AboutUs/Legal/Tariffs/displayTariffLandingPage.html>

ISSUE DATE:
April 16, 2015

Issued Under Transmittal No. 69
Vice President-Regulatory Operations
100 CenturyLink Drive
Monroe, Louisiana 71203

EFFECTIVE DATE:
May 1, 2015

ACCESS SERVICE

22. Reserved for Future Use (Cont'd)

(C)

(D)

(D)

(1) The CenturyLink services previously identified on this page are no longer offered under tariff. Effective March 13, 2015 the Commission granted forbearance from dominant carrier regulation of these services. http://transition.fcc.gov/Daily_Releases/Daily_Business/2015/db0316/DOC-332526A1.pdf
The rates, terms and conditions associated with these services are now available at:
<http://www.centurylink.com/Pages/AboutUs/Legal/Tariffs/displayTariffLandingPage.html>

ISSUE DATE:
April 16, 2015

Issued Under Transmittal No. 69
Vice President-Regulatory Operations
100 CenturyLink Drive
Monroe, Louisiana 71203

EFFECTIVE DATE:
May 1, 2015

ACCESS SERVICE

22. Reserved for Future Use (Cont'd)

(C)

(D)

(D)

(1) The CenturyLink services previously identified on this page are no longer offered under tariff. Effective March 13, 2015 the Commission granted forbearance from dominant carrier regulation of these services. http://transition.fcc.gov/Daily_Releases/Daily_Business/2015/db0316/DOC-332526A1.pdf
The rates, terms and conditions associated with these services are now available at:
<http://www.centurylink.com/Pages/AboutUs/Legal/Tariffs/displayTariffLandingPage.html>

ISSUE DATE:
April 16, 2015

Issued Under Transmittal No. 69
Vice President-Regulatory Operations
100 CenturyLink Drive
Monroe, Louisiana 71203

EFFECTIVE DATE:
May 1, 2015

ACCESS SERVICE

22. Reserved for Future Use (Cont'd)

(C)

(D)

(D)

(1) The CenturyLink services previously identified on this page are no longer offered under tariff. Effective March 13, 2015 the Commission granted forbearance from dominant carrier regulation of these services. http://transition.fcc.gov/Daily_Releases/Daily_Business/2015/db0316/DOC-332526A1.pdf
The rates, terms and conditions associated with these services are now available at:
<http://www.centurylink.com/Pages/AboutUs/Legal/Tariffs/displayTariffLandingPage.html>

ISSUE DATE:
April 16, 2015

Issued Under Transmittal No. 69
Vice President-Regulatory Operations
100 CenturyLink Drive
Monroe, Louisiana 71203

EFFECTIVE DATE:
May 1, 2015

ACCESS SERVICE

22. Reserved for Future Use (Cont'd)

(C)

(D)

(D)

(1) The CenturyLink services previously identified on this page are no longer offered under tariff. Effective March 13, 2015 the Commission granted forbearance from dominant carrier regulation of these services. http://transition.fcc.gov/Daily_Releases/Daily_Business/2015/db0316/DOC-332526A1.pdf
The rates, terms and conditions associated with these services are now available at:
<http://www.centurylink.com/Pages/AboutUs/Legal/Tariffs/displayTariffLandingPage.html>

ISSUE DATE:
April 16, 2015

Issued Under Transmittal No. 69
Vice President-Regulatory Operations
100 CenturyLink Drive
Monroe, Louisiana 71203

EFFECTIVE DATE:
May 1, 2015

ACCESS SERVICE

22. Reserved for Future Use (Cont'd)

(C)

(D)

(D)

(1) The CenturyLink services previously identified on this page are no longer offered under tariff. Effective March 13, 2015 the Commission granted forbearance from dominant carrier regulation of these services. http://transition.fcc.gov/Daily_Releases/Daily_Business/2015/db0316/DOC-332526A1.pdf
The rates, terms and conditions associated with these services are now available at:
<http://www.centurylink.com/Pages/AboutUs/Legal/Tariffs/displayTariffLandingPage.html>

ISSUE DATE:
April 16, 2015

Issued Under Transmittal No. 69
Vice President-Regulatory Operations
100 CenturyLink Drive
Monroe, Louisiana 71203

EFFECTIVE DATE:
May 1, 2015

ACCESS SERVICE

22. Reserved for Future Use (Cont'd)

(C)

(D)

(D)

(1) The CenturyLink services previously identified on this page are no longer offered under tariff. Effective March 13, 2015 the Commission granted forbearance from dominant carrier regulation of these services. http://transition.fcc.gov/Daily_Releases/Daily_Business/2015/db0316/DOC-332526A1.pdf
The rates, terms and conditions associated with these services are now available at:
<http://www.centurylink.com/Pages/AboutUs/Legal/Tariffs/displayTariffLandingPage.html>

ISSUE DATE:
April 16, 2015

Issued Under Transmittal No. 69
Vice President-Regulatory Operations
100 CenturyLink Drive
Monroe, Louisiana 71203

EFFECTIVE DATE:
May 1, 2015

ACCESS SERVICE

22. Reserved for Future Use (Cont'd)

(C)

(D)

(D)

(1) The CenturyLink services previously identified on this page are no longer offered under tariff. Effective March 13, 2015 the Commission granted forbearance from dominant carrier regulation of these services. http://transition.fcc.gov/Daily_Releases/Daily_Business/2015/db0316/DOC-332526A1.pdf
The rates, terms and conditions associated with these services are now available at:
<http://www.centurylink.com/Pages/AboutUs/Legal/Tariffs/displayTariffLandingPage.html>

ISSUE DATE:
April 16, 2015

Issued Under Transmittal No. 69
Vice President-Regulatory Operations
100 CenturyLink Drive
Monroe, Louisiana 71203

EFFECTIVE DATE:
May 1, 2015

ACCESS SERVICE

22. Reserved for Future Use (Cont'd)

(C)

(D)

(D)

(1) The CenturyLink services previously identified on this page are no longer offered under tariff. Effective March 13, 2015 the Commission granted forbearance from dominant carrier regulation of these services. http://transition.fcc.gov/Daily_Releases/Daily_Business/2015/db0316/DOC-332526A1.pdf
The rates, terms and conditions associated with these services are now available at:
<http://www.centurylink.com/Pages/AboutUs/Legal/Tariffs/displayTariffLandingPage.html>

ISSUE DATE:
April 16, 2015

Issued Under Transmittal No. 69
Vice President-Regulatory Operations
100 CenturyLink Drive
Monroe, Louisiana 71203

EFFECTIVE DATE:
May 1, 2015

ACCESS SERVICE

22. Reserved for Future Use (Cont'd)

(C)

(D)

(D)

(1) The CenturyLink services previously identified on this page are no longer offered under tariff. Effective March 13, 2015 the Commission granted forbearance from dominant carrier regulation of these services. http://transition.fcc.gov/Daily_Releases/Daily_Business/2015/db0316/DOC-332526A1.pdf
The rates, terms and conditions associated with these services are now available at:
<http://www.centurylink.com/Pages/AboutUs/Legal/Tariffs/displayTariffLandingPage.html>

ISSUE DATE:
April 16, 2015

Issued Under Transmittal No. 69
Vice President-Regulatory Operations
100 CenturyLink Drive
Monroe, Louisiana 71203

EFFECTIVE DATE:
May 1, 2015

ACCESS SERVICE

22. Reserved for Future Use (Cont'd)

(C)

(D)

(D)

(1) The CenturyLink services previously identified on this page are no longer offered under tariff. Effective March 13, 2015 the Commission granted forbearance from dominant carrier regulation of these services. http://transition.fcc.gov/Daily_Releases/Daily_Business/2015/db0316/DOC-332526A1.pdf
The rates, terms and conditions associated with these services are now available at:
<http://www.centurylink.com/Pages/AboutUs/Legal/Tariffs/displayTariffLandingPage.html>

ISSUE DATE:
April 16, 2015

Issued Under Transmittal No. 69
Vice President-Regulatory Operations
100 CenturyLink Drive
Monroe, Louisiana 71203

EFFECTIVE DATE:
May 1, 2015

ACCESS SERVICE

22. Reserved for Future Use (Cont'd)

(C)

(D)

(D)

(1) The CenturyLink services previously identified on this page are no longer offered under tariff. Effective March 13, 2015 the Commission granted forbearance from dominant carrier regulation of these services. http://transition.fcc.gov/Daily_Releases/Daily_Business/2015/db0316/DOC-332526A1.pdf
The rates, terms and conditions associated with these services are now available at:
<http://www.centurylink.com/Pages/AboutUs/Legal/Tariffs/displayTariffLandingPage.html>

ISSUE DATE:
April 16, 2015

Issued Under Transmittal No. 69
Vice President-Regulatory Operations
100 CenturyLink Drive
Monroe, Louisiana 71203

EFFECTIVE DATE:
May 1, 2015

ACCESS SERVICE

22. Reserved for Future Use (Cont'd)

(C)

(D)

(D)

(1) The CenturyLink services previously identified on this page are no longer offered under tariff. Effective March 13, 2015 the Commission granted forbearance from dominant carrier regulation of these services. http://transition.fcc.gov/Daily_Releases/Daily_Business/2015/db0316/DOC-332526A1.pdf
The rates, terms and conditions associated with these services are now available at:
<http://www.centurylink.com/Pages/AboutUs/Legal/Tariffs/displayTariffLandingPage.html>

ISSUE DATE:
April 16, 2015

Issued Under Transmittal No. 69
Vice President-Regulatory Operations
100 CenturyLink Drive
Monroe, Louisiana 71203

EFFECTIVE DATE:
May 1, 2015

ACCESS SERVICE

22. Reserved for Future Use (Cont'd)

(C)

(D)

(D)

(1) The CenturyLink services previously identified on this page are no longer offered under tariff. Effective March 13, 2015 the Commission granted forbearance from dominant carrier regulation of these services. http://transition.fcc.gov/Daily_Releases/Daily_Business/2015/db0316/DOC-332526A1.pdf
The rates, terms and conditions associated with these services are now available at:
<http://www.centurylink.com/Pages/AboutUs/Legal/Tariffs/displayTariffLandingPage.html>

ISSUE DATE:
April 16, 2015

Issued Under Transmittal No. 69
Vice President-Regulatory Operations
100 CenturyLink Drive
Monroe, Louisiana 71203

EFFECTIVE DATE:
May 1, 2015

ACCESS SERVICE

22. Reserved for Future Use (Cont'd)

(C)

(D)

(D)

(1) The CenturyLink services previously identified on this page are no longer offered under tariff. Effective March 13, 2015 the Commission granted forbearance from dominant carrier regulation of these services. http://transition.fcc.gov/Daily_Releases/Daily_Business/2015/db0316/DOC-332526A1.pdf
The rates, terms and conditions associated with these services are now available at:
<http://www.centurylink.com/Pages/AboutUs/Legal/Tariffs/displayTariffLandingPage.html>

ISSUE DATE:
April 16, 2015

Issued Under Transmittal No. 69
Vice President-Regulatory Operations
100 CenturyLink Drive
Monroe, Louisiana 71203

EFFECTIVE DATE:
May 1, 2015

ACCESS SERVICE

22. Reserved for Future Use (Cont'd)

(C)

(D)

(D)

(1) The CenturyLink services previously identified on this page are no longer offered under tariff. Effective March 13, 2015 the Commission granted forbearance from dominant carrier regulation of these services. http://transition.fcc.gov/Daily_Releases/Daily_Business/2015/db0316/DOC-332526A1.pdf
The rates, terms and conditions associated with these services are now available at:
<http://www.centurylink.com/Pages/AboutUs/Legal/Tariffs/displayTariffLandingPage.html>

ISSUE DATE:
April 16, 2015

Issued Under Transmittal No. 69
Vice President-Regulatory Operations
100 CenturyLink Drive
Monroe, Louisiana 71203

EFFECTIVE DATE:
May 1, 2015

ACCESS SERVICE

22. Reserved for Future Use (Cont'd)

(C)

(D)

(D)

(1) The CenturyLink services previously identified on this page are no longer offered under tariff. Effective March 13, 2015 the Commission granted forbearance from dominant carrier regulation of these services. http://transition.fcc.gov/Daily_Releases/Daily_Business/2015/db0316/DOC-332526A1.pdf
The rates, terms and conditions associated with these services are now available at:
<http://www.centurylink.com/Pages/AboutUs/Legal/Tariffs/displayTariffLandingPage.html>

ISSUE DATE:
April 16, 2015

Issued Under Transmittal No. 69
Vice President-Regulatory Operations
100 CenturyLink Drive
Monroe, Louisiana 71203

EFFECTIVE DATE:
May 1, 2015

ACCESS SERVICE

22. Reserved for Future Use (Cont'd)

(C)

(D)

(D)

(1) The CenturyLink services previously identified on this page are no longer offered under tariff. Effective March 13, 2015 the Commission granted forbearance from dominant carrier regulation of these services. http://transition.fcc.gov/Daily_Releases/Daily_Business/2015/db0316/DOC-332526A1.pdf
The rates, terms and conditions associated with these services are now available at:
<http://www.centurylink.com/Pages/AboutUs/Legal/Tariffs/displayTariffLandingPage.html>

ISSUE DATE:
April 16, 2015

Issued Under Transmittal No. 69
Vice President-Regulatory Operations
100 CenturyLink Drive
Monroe, Louisiana 71203

EFFECTIVE DATE:
May 1, 2015

ACCESS SERVICE

22. Reserved for Future Use (Cont'd)

(C)

(D)

(D)

(1) The CenturyLink services previously identified on this page are no longer offered under tariff. Effective March 13, 2015 the Commission granted forbearance from dominant carrier regulation of these services. http://transition.fcc.gov/Daily_Releases/Daily_Business/2015/db0316/DOC-332526A1.pdf
The rates, terms and conditions associated with these services are now available at:
<http://www.centurylink.com/Pages/AboutUs/Legal/Tariffs/displayTariffLandingPage.html>

ISSUE DATE:
April 16, 2015

Issued Under Transmittal No. 69
Vice President-Regulatory Operations
100 CenturyLink Drive
Monroe, Louisiana 71203

EFFECTIVE DATE:
May 1, 2015

ACCESS SERVICE

22. Reserved for Future Use (Cont'd)

(C)

(D)

(D)

(1) The CenturyLink services previously identified on this page are no longer offered under tariff. Effective March 13, 2015 the Commission granted forbearance from dominant carrier regulation of these services. http://transition.fcc.gov/Daily_Releases/Daily_Business/2015/db0316/DOC-332526A1.pdf
The rates, terms and conditions associated with these services are now available at:
<http://www.centurylink.com/Pages/AboutUs/Legal/Tariffs/displayTariffLandingPage.html>

ISSUE DATE:
April 16, 2015

Issued Under Transmittal No. 69
Vice President-Regulatory Operations
100 CenturyLink Drive
Monroe, Louisiana 71203

EFFECTIVE DATE:
May 1, 2015

ACCESS SERVICE

22. Reserved for Future Use (Cont'd)

(C)

(D)

(D)

(1) The CenturyLink services previously identified on this page are no longer offered under tariff. Effective March 13, 2015 the Commission granted forbearance from dominant carrier regulation of these services. http://transition.fcc.gov/Daily_Releases/Daily_Business/2015/db0316/DOC-332526A1.pdf
The rates, terms and conditions associated with these services are now available at:
<http://www.centurylink.com/Pages/AboutUs/Legal/Tariffs/displayTariffLandingPage.html>

ISSUE DATE:
April 16, 2015

Issued Under Transmittal No. 69
Vice President-Regulatory Operations
100 CenturyLink Drive
Monroe, Louisiana 71203

EFFECTIVE DATE:
May 1, 2015

ACCESS SERVICE

22. Reserved for Future Use (Cont'd)

(C)

(D)

(D)

(1) The CenturyLink services previously identified on this page are no longer offered under tariff. Effective March 13, 2015 the Commission granted forbearance from dominant carrier regulation of these services. http://transition.fcc.gov/Daily_Releases/Daily_Business/2015/db0316/DOC-332526A1.pdf
The rates, terms and conditions associated with these services are now available at:
<http://www.centurylink.com/Pages/AboutUs/Legal/Tariffs/displayTariffLandingPage.html>

ISSUE DATE:
April 16, 2015

Issued Under Transmittal No. 69
Vice President-Regulatory Operations
100 CenturyLink Drive
Monroe, Louisiana 71203

EFFECTIVE DATE:
May 1, 2015

ACCESS SERVICE

22. Reserved for Future Use (Cont'd)

(C)

(D)

(D)

(1) The CenturyLink services previously identified on this page are no longer offered under tariff. Effective March 13, 2015 the Commission granted forbearance from dominant carrier regulation of these services. http://transition.fcc.gov/Daily_Releases/Daily_Business/2015/db0316/DOC-332526A1.pdf
The rates, terms and conditions associated with these services are now available at:
<http://www.centurylink.com/Pages/AboutUs/Legal/Tariffs/displayTariffLandingPage.html>

ISSUE DATE:
April 16, 2015

Issued Under Transmittal No. 69
Vice President-Regulatory Operations
100 CenturyLink Drive
Monroe, Louisiana 71203

EFFECTIVE DATE:
May 1, 2015

ACCESS SERVICE

22. Reserved for Future Use (Cont'd)

(C)

(D)

(D)

(1) The CenturyLink services previously identified on this page are no longer offered under tariff. Effective March 13, 2015 the Commission granted forbearance from dominant carrier regulation of these services. http://transition.fcc.gov/Daily_Releases/Daily_Business/2015/db0316/DOC-332526A1.pdf
The rates, terms and conditions associated with these services are now available at:
<http://www.centurylink.com/Pages/AboutUs/Legal/Tariffs/displayTariffLandingPage.html>

ISSUE DATE:
April 16, 2015

Issued Under Transmittal No. 69
Vice President-Regulatory Operations
100 CenturyLink Drive
Monroe, Louisiana 71203

EFFECTIVE DATE:
May 1, 2015

ACCESS SERVICE

22. Reserved for Future Use (Cont'd)

(C)

(D)

(D)

(1) The CenturyLink services previously identified on this page are no longer offered under tariff. Effective March 13, 2015 the Commission granted forbearance from dominant carrier regulation of these services. http://transition.fcc.gov/Daily_Releases/Daily_Business/2015/db0316/DOC-332526A1.pdf
The rates, terms and conditions associated with these services are now available at:
<http://www.centurylink.com/Pages/AboutUs/Legal/Tariffs/displayTariffLandingPage.html>

ISSUE DATE:
April 16, 2015

Issued Under Transmittal No. 69
Vice President-Regulatory Operations
100 CenturyLink Drive
Monroe, Louisiana 71203

EFFECTIVE DATE:
May 1, 2015

ACCESS SERVICE

22. Reserved for Future Use (Cont'd)

(C)

(D)

(D)

(1) The CenturyLink services previously identified on this page are no longer offered under tariff. Effective March 13, 2015 the Commission granted forbearance from dominant carrier regulation of these services. http://transition.fcc.gov/Daily_Releases/Daily_Business/2015/db0316/DOC-332526A1.pdf
The rates, terms and conditions associated with these services are now available at:
<http://www.centurylink.com/Pages/AboutUs/Legal/Tariffs/displayTariffLandingPage.html>

ISSUE DATE:
April 16, 2015

Issued Under Transmittal No. 69
Vice President-Regulatory Operations
100 CenturyLink Drive
Monroe, Louisiana 71203

EFFECTIVE DATE:
May 1, 2015

ACCESS SERVICE

22. Reserved for Future Use (Cont'd)

(C)

(D)

(D)

(1) The CenturyLink services previously identified on this page are no longer offered under tariff. Effective March 13, 2015 the Commission granted forbearance from dominant carrier regulation of these services. http://transition.fcc.gov/Daily_Releases/Daily_Business/2015/db0316/DOC-332526A1.pdf
The rates, terms and conditions associated with these services are now available at:
<http://www.centurylink.com/Pages/AboutUs/Legal/Tariffs/displayTariffLandingPage.html>

ISSUE DATE:
April 16, 2015

Issued Under Transmittal No. 69
Vice President-Regulatory Operations
100 CenturyLink Drive
Monroe, Louisiana 71203

EFFECTIVE DATE:
May 1, 2015

ACCESS SERVICE

22. Reserved for Future Use (Cont'd)

(C)

(D)

(D)

(1) The CenturyLink services previously identified on this page are no longer offered under tariff. Effective March 13, 2015 the Commission granted forbearance from dominant carrier regulation of these services. http://transition.fcc.gov/Daily_Releases/Daily_Business/2015/db0316/DOC-332526A1.pdf
The rates, terms and conditions associated with these services are now available at:
<http://www.centurylink.com/Pages/AboutUs/Legal/Tariffs/displayTariffLandingPage.html>

ISSUE DATE:
April 16, 2015

Issued Under Transmittal No. 69
Vice President-Regulatory Operations
100 CenturyLink Drive
Monroe, Louisiana 71203

EFFECTIVE DATE:
May 1, 2015

ACCESS SERVICE

22. Reserved for Future Use (Cont'd)

(C)

(D)

(D)

(1) The CenturyLink services previously identified on this page are no longer offered under tariff. Effective March 13, 2015 the Commission granted forbearance from dominant carrier regulation of these services. http://transition.fcc.gov/Daily_Releases/Daily_Business/2015/db0316/DOC-332526A1.pdf
The rates, terms and conditions associated with these services are now available at:
<http://www.centurylink.com/Pages/AboutUs/Legal/Tariffs/displayTariffLandingPage.html>

ISSUE DATE:
April 16, 2015

Issued Under Transmittal No. 69
Vice President-Regulatory Operations
100 CenturyLink Drive
Monroe, Louisiana 71203

EFFECTIVE DATE:
May 1, 2015

ACCESS SERVICE

22. Reserved for Future Use (Cont'd)

(C)

(D)

(D)

(1) The CenturyLink services previously identified on this page are no longer offered under tariff. Effective March 13, 2015 the Commission granted forbearance from dominant carrier regulation of these services. http://transition.fcc.gov/Daily_Releases/Daily_Business/2015/db0316/DOC-332526A1.pdf
The rates, terms and conditions associated with these services are now available at:
<http://www.centurylink.com/Pages/AboutUs/Legal/Tariffs/displayTariffLandingPage.html>

ISSUE DATE:
April 16, 2015

Issued Under Transmittal No. 69
Vice President-Regulatory Operations
100 CenturyLink Drive
Monroe, Louisiana 71203

EFFECTIVE DATE:
May 1, 2015

ACCESS SERVICE

22. Reserved for Future Use (Cont'd)

(C)

(D)

(D)

(1) The CenturyLink services previously identified on this page are no longer offered under tariff. Effective March 13, 2015 the Commission granted forbearance from dominant carrier regulation of these services. http://transition.fcc.gov/Daily_Releases/Daily_Business/2015/db0316/DOC-332526A1.pdf
The rates, terms and conditions associated with these services are now available at:
<http://www.centurylink.com/Pages/AboutUs/Legal/Tariffs/displayTariffLandingPage.html>

ISSUE DATE:
April 16, 2015

Issued Under Transmittal No. 69
Vice President-Regulatory Operations
100 CenturyLink Drive
Monroe, Louisiana 71203

EFFECTIVE DATE:
May 1, 2015

ACCESS SERVICE

22. Reserved for Future Use (Cont'd)

(C)

(D)

(D)

(1) The CenturyLink services previously identified on this page are no longer offered under tariff. Effective March 13, 2015 the Commission granted forbearance from dominant carrier regulation of these services. http://transition.fcc.gov/Daily_Releases/Daily_Business/2015/db0316/DOC-332526A1.pdf
The rates, terms and conditions associated with these services are now available at:
<http://www.centurylink.com/Pages/AboutUs/Legal/Tariffs/displayTariffLandingPage.html>

ISSUE DATE:
April 16, 2015

Issued Under Transmittal No. 69
Vice President-Regulatory Operations
100 CenturyLink Drive
Monroe, Louisiana 71203

EFFECTIVE DATE:
May 1, 2015

ACCESS SERVICE

22. Reserved for Future Use (Cont'd)

(C)

(D)

(D)

(1) The CenturyLink services previously identified on this page are no longer offered under tariff. Effective March 13, 2015 the Commission granted forbearance from dominant carrier regulation of these services. http://transition.fcc.gov/Daily_Releases/Daily_Business/2015/db0316/DOC-332526A1.pdf
The rates, terms and conditions associated with these services are now available at:
<http://www.centurylink.com/Pages/AboutUs/Legal/Tariffs/displayTariffLandingPage.html>

ISSUE DATE:
April 16, 2015

Issued Under Transmittal No. 69
Vice President-Regulatory Operations
100 CenturyLink Drive
Monroe, Louisiana 71203

EFFECTIVE DATE:
May 1, 2015

ACCESS SERVICE

22. Reserved for Future Use (Cont'd)

(C)

(D)

(D)

(1) The CenturyLink services previously identified on this page are no longer offered under tariff. Effective March 13, 2015 the Commission granted forbearance from dominant carrier regulation of these services. http://transition.fcc.gov/Daily_Releases/Daily_Business/2015/db0316/DOC-332526A1.pdf
The rates, terms and conditions associated with these services are now available at:
<http://www.centurylink.com/Pages/AboutUs/Legal/Tariffs/displayTariffLandingPage.html>

ISSUE DATE:
April 16, 2015

Issued Under Transmittal No. 69
Vice President-Regulatory Operations
100 CenturyLink Drive
Monroe, Louisiana 71203

EFFECTIVE DATE:
May 1, 2015

ACCESS SERVICE

22. Reserved for Future Use (Cont'd)

(C)

(D)

(D)

(1) The CenturyLink services previously identified on this page are no longer offered under tariff. Effective March 13, 2015 the Commission granted forbearance from dominant carrier regulation of these services. http://transition.fcc.gov/Daily_Releases/Daily_Business/2015/db0316/DOC-332526A1.pdf
The rates, terms and conditions associated with these services are now available at:
<http://www.centurylink.com/Pages/AboutUs/Legal/Tariffs/displayTariffLandingPage.html>

ISSUE DATE:
April 16, 2015

Issued Under Transmittal No. 69
Vice President-Regulatory Operations
100 CenturyLink Drive
Monroe, Louisiana 71203

EFFECTIVE DATE:
May 1, 2015

ACCESS SERVICE

22. Reserved for Future Use (Cont'd)

(C)

(D)

(D)

(1) The CenturyLink services previously identified on this page are no longer offered under tariff. Effective March 13, 2015 the Commission granted forbearance from dominant carrier regulation of these services. http://transition.fcc.gov/Daily_Releases/Daily_Business/2015/db0316/DOC-332526A1.pdf
The rates, terms and conditions associated with these services are now available at:
<http://www.centurylink.com/Pages/AboutUs/Legal/Tariffs/displayTariffLandingPage.html>

ISSUE DATE:
April 16, 2015

Issued Under Transmittal No. 69
Vice President-Regulatory Operations
100 CenturyLink Drive
Monroe, Louisiana 71203

EFFECTIVE DATE:
May 1, 2015

ACCESS SERVICE

22. Reserved for Future Use (Cont'd)

(C)

(D)

(D)

(1) The CenturyLink services previously identified on this page are no longer offered under tariff. Effective March 13, 2015 the Commission granted forbearance from dominant carrier regulation of these services. http://transition.fcc.gov/Daily_Releases/Daily_Business/2015/db0316/DOC-332526A1.pdf
The rates, terms and conditions associated with these services are now available at:
<http://www.centurylink.com/Pages/AboutUs/Legal/Tariffs/displayTariffLandingPage.html>

ISSUE DATE:
April 16, 2015

Issued Under Transmittal No. 69
Vice President-Regulatory Operations
100 CenturyLink Drive
Monroe, Louisiana 71203

EFFECTIVE DATE:
May 1, 2015

ACCESS SERVICE

22. Reserved for Future Use (Cont'd)

(C)

(D)

(D)

(1) The CenturyLink services previously identified on this page are no longer offered under tariff. Effective March 13, 2015 the Commission granted forbearance from dominant carrier regulation of these services. http://transition.fcc.gov/Daily_Releases/Daily_Business/2015/db0316/DOC-332526A1.pdf
The rates, terms and conditions associated with these services are now available at:
<http://www.centurylink.com/Pages/AboutUs/Legal/Tariffs/displayTariffLandingPage.html>

ISSUE DATE:
April 16, 2015

Issued Under Transmittal No. 69
Vice President-Regulatory Operations
100 CenturyLink Drive
Monroe, Louisiana 71203

EFFECTIVE DATE:
May 1, 2015

ACCESS SERVICE

22. Reserved for Future Use (Cont'd)

(C)

(D)

(D)

(1) The CenturyLink services previously identified on this page are no longer offered under tariff. Effective March 13, 2015 the Commission granted forbearance from dominant carrier regulation of these services. http://transition.fcc.gov/Daily_Releases/Daily_Business/2015/db0316/DOC-332526A1.pdf
The rates, terms and conditions associated with these services are now available at:
<http://www.centurylink.com/Pages/AboutUs/Legal/Tariffs/displayTariffLandingPage.html>

ISSUE DATE:
April 16, 2015

Issued Under Transmittal No. 69
Vice President-Regulatory Operations
100 CenturyLink Drive
Monroe, Louisiana 71203

EFFECTIVE DATE:
May 1, 2015

ACCESS SERVICE

22. Reserved for Future Use (Cont'd)

(C)

(D)

(D)

(1) The CenturyLink services previously identified on this page are no longer offered under tariff. Effective March 13, 2015 the Commission granted forbearance from dominant carrier regulation of these services. http://transition.fcc.gov/Daily_Releases/Daily_Business/2015/db0316/DOC-332526A1.pdf
The rates, terms and conditions associated with these services are now available at:
<http://www.centurylink.com/Pages/AboutUs/Legal/Tariffs/displayTariffLandingPage.html>

ISSUE DATE:
April 16, 2015

Issued Under Transmittal No. 69
Vice President-Regulatory Operations
100 CenturyLink Drive
Monroe, Louisiana 71203

EFFECTIVE DATE:
May 1, 2015

ACCESS SERVICE

22. Reserved for Future Use (Cont'd)

(C)

(D)

(D)

(1) The CenturyLink services previously identified on this page are no longer offered under tariff. Effective March 13, 2015 the Commission granted forbearance from dominant carrier regulation of these services. http://transition.fcc.gov/Daily_Releases/Daily_Business/2015/db0316/DOC-332526A1.pdf
The rates, terms and conditions associated with these services are now available at:
<http://www.centurylink.com/Pages/AboutUs/Legal/Tariffs/displayTariffLandingPage.html>

ISSUE DATE:
April 16, 2015

Issued Under Transmittal No. 69
Vice President-Regulatory Operations
100 CenturyLink Drive
Monroe, Louisiana 71203

EFFECTIVE DATE:
May 1, 2015

ACCESS SERVICE

22. Reserved for Future Use (Cont'd)

(C)

(D)

(D)

(1) The CenturyLink services previously identified on this page are no longer offered under tariff. Effective March 13, 2015 the Commission granted forbearance from dominant carrier regulation of these services. http://transition.fcc.gov/Daily_Releases/Daily_Business/2015/db0316/DOC-332526A1.pdf
The rates, terms and conditions associated with these services are now available at:
<http://www.centurylink.com/Pages/AboutUs/Legal/Tariffs/displayTariffLandingPage.html>

ISSUE DATE:
April 16, 2015

Issued Under Transmittal No. 69
Vice President-Regulatory Operations
100 CenturyLink Drive
Monroe, Louisiana 71203

EFFECTIVE DATE:
May 1, 2015

ACCESS SERVICE

22. Reserved for Future Use (Cont'd)

(C)

(D)

(D)

(1) The CenturyLink services previously identified on this page are no longer offered under tariff. Effective March 13, 2015 the Commission granted forbearance from dominant carrier regulation of these services. http://transition.fcc.gov/Daily_Releases/Daily_Business/2015/db0316/DOC-332526A1.pdf
The rates, terms and conditions associated with these services are now available at:
<http://www.centurylink.com/Pages/AboutUs/Legal/Tariffs/displayTariffLandingPage.html>

ISSUE DATE:
April 16, 2015

Issued Under Transmittal No. 69
Vice President-Regulatory Operations
100 CenturyLink Drive
Monroe, Louisiana 71203

EFFECTIVE DATE:
May 1, 2015

ACCESS SERVICE

22. Reserved for Future Use (Cont'd)

(C)

(D)

(D)

(1) The CenturyLink services previously identified on this page are no longer offered under tariff. Effective March 13, 2015 the Commission granted forbearance from dominant carrier regulation of these services. http://transition.fcc.gov/Daily_Releases/Daily_Business/2015/db0316/DOC-332526A1.pdf
The rates, terms and conditions associated with these services are now available at:
<http://www.centurylink.com/Pages/AboutUs/Legal/Tariffs/displayTariffLandingPage.html>

ISSUE DATE:
April 16, 2015

Issued Under Transmittal No. 69
Vice President-Regulatory Operations
100 CenturyLink Drive
Monroe, Louisiana 71203

EFFECTIVE DATE:
May 1, 2015

ACCESS SERVICE

22. Reserved for Future Use (Cont'd)

(C)

(D)

(D)

(1) The CenturyLink services previously identified on this page are no longer offered under tariff. Effective March 13, 2015 the Commission granted forbearance from dominant carrier regulation of these services. http://transition.fcc.gov/Daily_Releases/Daily_Business/2015/db0316/DOC-332526A1.pdf
The rates, terms and conditions associated with these services are now available at:
<http://www.centurylink.com/Pages/AboutUs/Legal/Tariffs/displayTariffLandingPage.html>

ISSUE DATE:
April 16, 2015

Issued Under Transmittal No. 69
Vice President-Regulatory Operations
100 CenturyLink Drive
Monroe, Louisiana 71203

EFFECTIVE DATE:
May 1, 2015

ACCESS SERVICE

22. Reserved for Future Use (Cont'd)

(C)

(D)

(D)

(1) The CenturyLink services previously identified on this page are no longer offered under tariff. Effective March 13, 2015 the Commission granted forbearance from dominant carrier regulation of these services. http://transition.fcc.gov/Daily_Releases/Daily_Business/2015/db0316/DOC-332526A1.pdf
The rates, terms and conditions associated with these services are now available at:
<http://www.centurylink.com/Pages/AboutUs/Legal/Tariffs/displayTariffLandingPage.html>

ISSUE DATE:
April 16, 2015

Issued Under Transmittal No. 69
Vice President-Regulatory Operations
100 CenturyLink Drive
Monroe, Louisiana 71203

EFFECTIVE DATE:
May 1, 2015

ACCESS SERVICE

22. Reserved for Future Use (Cont'd)

(C)

(D)

(D)

(1) The CenturyLink services previously identified on this page are no longer offered under tariff. Effective March 13, 2015 the Commission granted forbearance from dominant carrier regulation of these services. http://transition.fcc.gov/Daily_Releases/Daily_Business/2015/db0316/DOC-332526A1.pdf
The rates, terms and conditions associated with these services are now available at:
<http://www.centurylink.com/Pages/AboutUs/Legal/Tariffs/displayTariffLandingPage.html>

ISSUE DATE:
April 16, 2015

Issued Under Transmittal No. 69
Vice President-Regulatory Operations
100 CenturyLink Drive
Monroe, Louisiana 71203

EFFECTIVE DATE:
May 1, 2015

ACCESS SERVICE

22. Reserved for Future Use (Cont'd)

(C)

(D)

(D)

(1) The CenturyLink services previously identified on this page are no longer offered under tariff. Effective March 13, 2015 the Commission granted forbearance from dominant carrier regulation of these services. http://transition.fcc.gov/Daily_Releases/Daily_Business/2015/db0316/DOC-332526A1.pdf
The rates, terms and conditions associated with these services are now available at:
<http://www.centurylink.com/Pages/AboutUs/Legal/Tariffs/displayTariffLandingPage.html>

ISSUE DATE:
April 16, 2015

Issued Under Transmittal No. 69
Vice President-Regulatory Operations
100 CenturyLink Drive
Monroe, Louisiana 71203

EFFECTIVE DATE:
May 1, 2015

ACCESS SERVICE

22. Reserved for Future Use (Cont'd)

(C)

(D)

(D)

(1) The CenturyLink services previously identified on this page are no longer offered under tariff. Effective March 13, 2015 the Commission granted forbearance from dominant carrier regulation of these services. http://transition.fcc.gov/Daily_Releases/Daily_Business/2015/db0316/DOC-332526A1.pdf
The rates, terms and conditions associated with these services are now available at:
<http://www.centurylink.com/Pages/AboutUs/Legal/Tariffs/displayTariffLandingPage.html>

ISSUE DATE:
April 16, 2015

Issued Under Transmittal No. 69
Vice President-Regulatory Operations
100 CenturyLink Drive
Monroe, Louisiana 71203

EFFECTIVE DATE:
May 1, 2015

ACCESS SERVICE

22. Reserved for Future Use (Cont'd)

(C)

(D)

(D)

(1) The CenturyLink services previously identified on this page are no longer offered under tariff. Effective March 13, 2015 the Commission granted forbearance from dominant carrier regulation of these services. http://transition.fcc.gov/Daily_Releases/Daily_Business/2015/db0316/DOC-332526A1.pdf
The rates, terms and conditions associated with these services are now available at:
<http://www.centurylink.com/Pages/AboutUs/Legal/Tariffs/displayTariffLandingPage.html>

ISSUE DATE:
April 16, 2015

Issued Under Transmittal No. 69
Vice President-Regulatory Operations
100 CenturyLink Drive
Monroe, Louisiana 71203

EFFECTIVE DATE:
May 1, 2015

ACCESS SERVICE

22. Reserved for Future Use (Cont'd)

(C)

(D)

(D)

(1) The CenturyLink services previously identified on this page are no longer offered under tariff. Effective March 13, 2015 the Commission granted forbearance from dominant carrier regulation of these services. http://transition.fcc.gov/Daily_Releases/Daily_Business/2015/db0316/DOC-332526A1.pdf
The rates, terms and conditions associated with these services are now available at:
<http://www.centurylink.com/Pages/AboutUs/Legal/Tariffs/displayTariffLandingPage.html>

ISSUE DATE:
April 16, 2015

Issued Under Transmittal No. 69
Vice President-Regulatory Operations
100 CenturyLink Drive
Monroe, Louisiana 71203

EFFECTIVE DATE:
May 1, 2015

ACCESS SERVICE

22. Reserved for Future Use (Cont'd)

(C)

(D)

(D)

(1) The CenturyLink services previously identified on this page are no longer offered under tariff. Effective March 13, 2015 the Commission granted forbearance from dominant carrier regulation of these services. http://transition.fcc.gov/Daily_Releases/Daily_Business/2015/db0316/DOC-332526A1.pdf
The rates, terms and conditions associated with these services are now available at:
<http://www.centurylink.com/Pages/AboutUs/Legal/Tariffs/displayTariffLandingPage.html>

ISSUE DATE:
April 16, 2015

Issued Under Transmittal No. 69
Vice President-Regulatory Operations
100 CenturyLink Drive
Monroe, Louisiana 71203

EFFECTIVE DATE:
May 1, 2015

ACCESS SERVICE

22. Reserved for Future Use (Cont'd)

(C)

(D)

(D)

(1) The CenturyLink services previously identified on this page are no longer offered under tariff. Effective March 13, 2015 the Commission granted forbearance from dominant carrier regulation of these services. http://transition.fcc.gov/Daily_Releases/Daily_Business/2015/db0316/DOC-332526A1.pdf
The rates, terms and conditions associated with these services are now available at:
<http://www.centurylink.com/Pages/AboutUs/Legal/Tariffs/displayTariffLandingPage.html>

ISSUE DATE:
April 16, 2015

Issued Under Transmittal No. 69
Vice President-Regulatory Operations
100 CenturyLink Drive
Monroe, Louisiana 71203

EFFECTIVE DATE:
May 1, 2015

ACCESS SERVICE

22. Reserved for Future Use (Cont'd)

(C)

(D)

(D)

(1) The CenturyLink services previously identified on this page are no longer offered under tariff. Effective March 13, 2015 the Commission granted forbearance from dominant carrier regulation of these services. http://transition.fcc.gov/Daily_Releases/Daily_Business/2015/db0316/DOC-332526A1.pdf
The rates, terms and conditions associated with these services are now available at:
<http://www.centurylink.com/Pages/AboutUs/Legal/Tariffs/displayTariffLandingPage.html>

ISSUE DATE:
April 16, 2015

Issued Under Transmittal No. 69
Vice President-Regulatory Operations
100 CenturyLink Drive
Monroe, Louisiana 71203

EFFECTIVE DATE:
May 1, 2015

ACCESS SERVICE

22. Reserved for Future Use (Cont'd)

(C)

(D)

(D)

(1) The CenturyLink services previously identified on this page are no longer offered under tariff. Effective March 13, 2015 the Commission granted forbearance from dominant carrier regulation of these services. http://transition.fcc.gov/Daily_Releases/Daily_Business/2015/db0316/DOC-332526A1.pdf
The rates, terms and conditions associated with these services are now available at:
<http://www.centurylink.com/Pages/AboutUs/Legal/Tariffs/displayTariffLandingPage.html>

ISSUE DATE:
April 16, 2015

Issued Under Transmittal No. 69
Vice President-Regulatory Operations
100 CenturyLink Drive
Monroe, Louisiana 71203

EFFECTIVE DATE:
May 1, 2015

ACCESS SERVICE

22. Reserved for Future Use (Cont'd)

(C)

(D)

(D)

(1) The CenturyLink services previously identified on this page are no longer offered under tariff. Effective March 13, 2015 the Commission granted forbearance from dominant carrier regulation of these services. http://transition.fcc.gov/Daily_Releases/Daily_Business/2015/db0316/DOC-332526A1.pdf
The rates, terms and conditions associated with these services are now available at:
<http://www.centurylink.com/Pages/AboutUs/Legal/Tariffs/displayTariffLandingPage.html>

ISSUE DATE:
April 16, 2015

Issued Under Transmittal No. 69
Vice President-Regulatory Operations
100 CenturyLink Drive
Monroe, Louisiana 71203

EFFECTIVE DATE:
May 1, 2015

ACCESS SERVICE

22. Reserved for Future Use (Cont'd)

(C)

(D)

(D)

(1) The CenturyLink services previously identified on this page are no longer offered under tariff. Effective March 13, 2015 the Commission granted forbearance from dominant carrier regulation of these services. http://transition.fcc.gov/Daily_Releases/Daily_Business/2015/db0316/DOC-332526A1.pdf
The rates, terms and conditions associated with these services are now available at:
<http://www.centurylink.com/Pages/AboutUs/Legal/Tariffs/displayTariffLandingPage.html>

ISSUE DATE:
April 16, 2015

Issued Under Transmittal No. 69
Vice President-Regulatory Operations
100 CenturyLink Drive
Monroe, Louisiana 71203

EFFECTIVE DATE:
May 1, 2015

ACCESS SERVICE

22. Reserved for Future Use (Cont'd)

(C)

(D)

(D)

(1) The CenturyLink services previously identified on this page are no longer offered under tariff. Effective March 13, 2015 the Commission granted forbearance from dominant carrier regulation of these services. http://transition.fcc.gov/Daily_Releases/Daily_Business/2015/db0316/DOC-332526A1.pdf
The rates, terms and conditions associated with these services are now available at:
<http://www.centurylink.com/Pages/AboutUs/Legal/Tariffs/displayTariffLandingPage.html>

ISSUE DATE:
April 16, 2015

Issued Under Transmittal No. 69
Vice President-Regulatory Operations
100 CenturyLink Drive
Monroe, Louisiana 71203

EFFECTIVE DATE:
May 1, 2015

ACCESS SERVICE

22. Reserved for Future Use (Cont'd)

(C)

(D)

(D)

(1) The CenturyLink services previously identified on this page are no longer offered under tariff. Effective March 13, 2015 the Commission granted forbearance from dominant carrier regulation of these services. http://transition.fcc.gov/Daily_Releases/Daily_Business/2015/db0316/DOC-332526A1.pdf
The rates, terms and conditions associated with these services are now available at:
<http://www.centurylink.com/Pages/AboutUs/Legal/Tariffs/displayTariffLandingPage.html>

ISSUE DATE:
April 16, 2015

Issued Under Transmittal No. 69
Vice President-Regulatory Operations
100 CenturyLink Drive
Monroe, Louisiana 71203

EFFECTIVE DATE:
May 1, 2015

ACCESS SERVICE

22. Reserved for Future Use (Cont'd)

(C)

(D)

(D)

(1) The CenturyLink services previously identified on this page are no longer offered under tariff. Effective March 13, 2015 the Commission granted forbearance from dominant carrier regulation of these services. http://transition.fcc.gov/Daily_Releases/Daily_Business/2015/db0316/DOC-332526A1.pdf
The rates, terms and conditions associated with these services are now available at:
<http://www.centurylink.com/Pages/AboutUs/Legal/Tariffs/displayTariffLandingPage.html>

ISSUE DATE:
April 16, 2015

Issued Under Transmittal No. 69
Vice President-Regulatory Operations
100 CenturyLink Drive
Monroe, Louisiana 71203

EFFECTIVE DATE:
May 1, 2015

ACCESS SERVICE

22. Reserved for Future Use (Cont'd)

(C)

(D)

(D)

(1) The CenturyLink services previously identified on this page are no longer offered under tariff. Effective March 13, 2015 the Commission granted forbearance from dominant carrier regulation of these services. http://transition.fcc.gov/Daily_Releases/Daily_Business/2015/db0316/DOC-332526A1.pdf
The rates, terms and conditions associated with these services are now available at:
<http://www.centurylink.com/Pages/AboutUs/Legal/Tariffs/displayTariffLandingPage.html>

ISSUE DATE:
April 16, 2015

Issued Under Transmittal No. 69
Vice President-Regulatory Operations
100 CenturyLink Drive
Monroe, Louisiana 71203

EFFECTIVE DATE:
May 1, 2015

ACCESS SERVICE

22. Reserved for Future Use (Cont'd)

(C)

(D)

(D)

(1) The CenturyLink services previously identified on this page are no longer offered under tariff. Effective March 13, 2015 the Commission granted forbearance from dominant carrier regulation of these services. http://transition.fcc.gov/Daily_Releases/Daily_Business/2015/db0316/DOC-332526A1.pdf
The rates, terms and conditions associated with these services are now available at:
<http://www.centurylink.com/Pages/AboutUs/Legal/Tariffs/displayTariffLandingPage.html>

ISSUE DATE:
April 16, 2015

Issued Under Transmittal No. 69
Vice President-Regulatory Operations
100 CenturyLink Drive
Monroe, Louisiana 71203

EFFECTIVE DATE:
May 1, 2015

ACCESS SERVICE

22. Reserved for Future Use (Cont'd)

(C)

(D)

(D)

(1) The CenturyLink services previously identified on this page are no longer offered under tariff. Effective March 13, 2015 the Commission granted forbearance from dominant carrier regulation of these services. http://transition.fcc.gov/Daily_Releases/Daily_Business/2015/db0316/DOC-332526A1.pdf
The rates, terms and conditions associated with these services are now available at:
<http://www.centurylink.com/Pages/AboutUs/Legal/Tariffs/displayTariffLandingPage.html>

ISSUE DATE:
April 16, 2015

Issued Under Transmittal No. 69
Vice President-Regulatory Operations
100 CenturyLink Drive
Monroe, Louisiana 71203

EFFECTIVE DATE:
May 1, 2015

ACCESS SERVICE

22. Reserved for Future Use (Cont'd)

(C)

(D)

(D)

(1) The CenturyLink services previously identified on this page are no longer offered under tariff. Effective March 13, 2015 the Commission granted forbearance from dominant carrier regulation of these services. http://transition.fcc.gov/Daily_Releases/Daily_Business/2015/db0316/DOC-332526A1.pdf
The rates, terms and conditions associated with these services are now available at:
<http://www.centurylink.com/Pages/AboutUs/Legal/Tariffs/displayTariffLandingPage.html>

ISSUE DATE:
April 16, 2015

Issued Under Transmittal No. 69
Vice President-Regulatory Operations
100 CenturyLink Drive
Monroe, Louisiana 71203

EFFECTIVE DATE:
May 1, 2015

ACCESS SERVICE

22. Reserved for Future Use (Cont'd)

(C)

(D)

(D)

(1) The CenturyLink services previously identified on this page are no longer offered under tariff. Effective March 13, 2015 the Commission granted forbearance from dominant carrier regulation of these services. http://transition.fcc.gov/Daily_Releases/Daily_Business/2015/db0316/DOC-332526A1.pdf
The rates, terms and conditions associated with these services are now available at:
<http://www.centurylink.com/Pages/AboutUs/Legal/Tariffs/displayTariffLandingPage.html>

ISSUE DATE:
April 16, 2015

Issued Under Transmittal No. 69
Vice President-Regulatory Operations
100 CenturyLink Drive
Monroe, Louisiana 71203

EFFECTIVE DATE:
May 1, 2015

ACCESS SERVICE

22. Reserved for Future Use (Cont'd)

(C)

(D)

(D)

(1) The CenturyLink services previously identified on this page are no longer offered under tariff. Effective March 13, 2015 the Commission granted forbearance from dominant carrier regulation of these services. http://transition.fcc.gov/Daily_Releases/Daily_Business/2015/db0316/DOC-332526A1.pdf
The rates, terms and conditions associated with these services are now available at:
<http://www.centurylink.com/Pages/AboutUs/Legal/Tariffs/displayTariffLandingPage.html>

ISSUE DATE:
April 16, 2015

Issued Under Transmittal No. 69
Vice President-Regulatory Operations
100 CenturyLink Drive
Monroe, Louisiana 71203

EFFECTIVE DATE:
May 1, 2015

ACCESS SERVICE

22. Reserved for Future Use (Cont'd)

(C)

(D)

(D)

(1) The CenturyLink services previously identified on this page are no longer offered under tariff. Effective March 13, 2015 the Commission granted forbearance from dominant carrier regulation of these services. http://transition.fcc.gov/Daily_Releases/Daily_Business/2015/db0316/DOC-332526A1.pdf
The rates, terms and conditions associated with these services are now available at:
<http://www.centurylink.com/Pages/AboutUs/Legal/Tariffs/displayTariffLandingPage.html>

ISSUE DATE:
April 16, 2015

Issued Under Transmittal No. 69
Vice President-Regulatory Operations
100 CenturyLink Drive
Monroe, Louisiana 71203

EFFECTIVE DATE:
May 1, 2015

ACCESS SERVICE

22. Reserved for Future Use (Cont'd)

(C)

(D)

(D)

(1) The CenturyLink services previously identified on this page are no longer offered under tariff. Effective March 13, 2015 the Commission granted forbearance from dominant carrier regulation of these services. http://transition.fcc.gov/Daily_Releases/Daily_Business/2015/db0316/DOC-332526A1.pdf
The rates, terms and conditions associated with these services are now available at:
<http://www.centurylink.com/Pages/AboutUs/Legal/Tariffs/displayTariffLandingPage.html>

ISSUE DATE:
April 16, 2015

Issued Under Transmittal No. 69
Vice President-Regulatory Operations
100 CenturyLink Drive
Monroe, Louisiana 71203

EFFECTIVE DATE:
May 1, 2015

ACCESS SERVICE

22. Reserved for Future Use (Cont'd)

(C)

(D)

(D)

(1) The CenturyLink services previously identified on this page are no longer offered under tariff. Effective March 13, 2015 the Commission granted forbearance from dominant carrier regulation of these services. http://transition.fcc.gov/Daily_Releases/Daily_Business/2015/db0316/DOC-332526A1.pdf
The rates, terms and conditions associated with these services are now available at:
<http://www.centurylink.com/Pages/AboutUs/Legal/Tariffs/displayTariffLandingPage.html>

ISSUE DATE:
April 16, 2015

Issued Under Transmittal No. 69
Vice President-Regulatory Operations
100 CenturyLink Drive
Monroe, Louisiana 71203

EFFECTIVE DATE:
May 1, 2015

ACCESS SERVICE

22. Reserved for Future Use (Cont'd)

(C)

(D)

(D)

(1) The CenturyLink services previously identified on this page are no longer offered under tariff. Effective March 13, 2015 the Commission granted forbearance from dominant carrier regulation of these services. http://transition.fcc.gov/Daily_Releases/Daily_Business/2015/db0316/DOC-332526A1.pdf
The rates, terms and conditions associated with these services are now available at:
<http://www.centurylink.com/Pages/AboutUs/Legal/Tariffs/displayTariffLandingPage.html>

ISSUE DATE:
April 16, 2015

Issued Under Transmittal No. 69
Vice President-Regulatory Operations
100 CenturyLink Drive
Monroe, Louisiana 71203

EFFECTIVE DATE:
May 1, 2015

ACCESS SERVICE

22. Reserved for Future Use (Cont'd)

(C)

(D)

(D)

(1) The CenturyLink services previously identified on this page are no longer offered under tariff. Effective March 13, 2015 the Commission granted forbearance from dominant carrier regulation of these services. http://transition.fcc.gov/Daily_Releases/Daily_Business/2015/db0316/DOC-332526A1.pdf
The rates, terms and conditions associated with these services are now available at:
<http://www.centurylink.com/Pages/AboutUs/Legal/Tariffs/displayTariffLandingPage.html>

ISSUE DATE:
April 16, 2015

Issued Under Transmittal No. 69
Vice President-Regulatory Operations
100 CenturyLink Drive
Monroe, Louisiana 71203

EFFECTIVE DATE:
May 1, 2015

ACCESS SERVICE

22. Reserved for Future Use (Cont'd)

(C)

(D)

(D)

(1) The CenturyLink services previously identified on this page are no longer offered under tariff. Effective March 13, 2015 the Commission granted forbearance from dominant carrier regulation of these services. http://transition.fcc.gov/Daily_Releases/Daily_Business/2015/db0316/DOC-332526A1.pdf
The rates, terms and conditions associated with these services are now available at:
<http://www.centurylink.com/Pages/AboutUs/Legal/Tariffs/displayTariffLandingPage.html>

ISSUE DATE:
April 16, 2015

Issued Under Transmittal No. 69
Vice President-Regulatory Operations
100 CenturyLink Drive
Monroe, Louisiana 71203

EFFECTIVE DATE:
May 1, 2015

ACCESS SERVICE

22. Reserved for Future Use (Cont'd)

(C)

(D)

(D)

(1) The CenturyLink services previously identified on this page are no longer offered under tariff. Effective March 13, 2015 the Commission granted forbearance from dominant carrier regulation of these services. http://transition.fcc.gov/Daily_Releases/Daily_Business/2015/db0316/DOC-332526A1.pdf
The rates, terms and conditions associated with these services are now available at:
<http://www.centurylink.com/Pages/AboutUs/Legal/Tariffs/displayTariffLandingPage.html>

ISSUE DATE:
April 16, 2015

Issued Under Transmittal No. 69
Vice President-Regulatory Operations
100 CenturyLink Drive
Monroe, Louisiana 71203

EFFECTIVE DATE:
May 1, 2015

ACCESS SERVICE

22. Reserved for Future Use (Cont'd)

(C)

(D)

(D)

(1) The CenturyLink services previously identified on this page are no longer offered under tariff. Effective March 13, 2015 the Commission granted forbearance from dominant carrier regulation of these services. http://transition.fcc.gov/Daily_Releases/Daily_Business/2015/db0316/DOC-332526A1.pdf
The rates, terms and conditions associated with these services are now available at:
<http://www.centurylink.com/Pages/AboutUs/Legal/Tariffs/displayTariffLandingPage.html>

ISSUE DATE:
April 16, 2015

Issued Under Transmittal No. 69
Vice President-Regulatory Operations
100 CenturyLink Drive
Monroe, Louisiana 71203

EFFECTIVE DATE:
May 1, 2015

ACCESS SERVICE

22. Reserved for Future Use (Cont'd)

(C)

(D)

(D)

(1) The CenturyLink services previously identified on this page are no longer offered under tariff. Effective March 13, 2015 the Commission granted forbearance from dominant carrier regulation of these services. http://transition.fcc.gov/Daily_Releases/Daily_Business/2015/db0316/DOC-332526A1.pdf
The rates, terms and conditions associated with these services are now available at:
<http://www.centurylink.com/Pages/AboutUs/Legal/Tariffs/displayTariffLandingPage.html>

ISSUE DATE:
April 16, 2015

Issued Under Transmittal No. 69
Vice President-Regulatory Operations
100 CenturyLink Drive
Monroe, Louisiana 71203

EFFECTIVE DATE:
May 1, 2015

ACCESS SERVICE

22. Reserved for Future Use (Cont'd)

(C)

(D)

(D)

(1) The CenturyLink services previously identified on this page are no longer offered under tariff. Effective March 13, 2015 the Commission granted forbearance from dominant carrier regulation of these services. http://transition.fcc.gov/Daily_Releases/Daily_Business/2015/db0316/DOC-332526A1.pdf
The rates, terms and conditions associated with these services are now available at:
<http://www.centurylink.com/Pages/AboutUs/Legal/Tariffs/displayTariffLandingPage.html>

ISSUE DATE:
April 16, 2015

Issued Under Transmittal No. 69
Vice President-Regulatory Operations
100 CenturyLink Drive
Monroe, Louisiana 71203

EFFECTIVE DATE:
May 1, 2015

ACCESS SERVICE

22. Reserved for Future Use (Cont'd)

(C)

(D)

(D)

(1) The CenturyLink services previously identified on this page are no longer offered under tariff. Effective March 13, 2015 the Commission granted forbearance from dominant carrier regulation of these services. http://transition.fcc.gov/Daily_Releases/Daily_Business/2015/db0316/DOC-332526A1.pdf
The rates, terms and conditions associated with these services are now available at:
<http://www.centurylink.com/Pages/AboutUs/Legal/Tariffs/displayTariffLandingPage.html>

ISSUE DATE:
April 16, 2015

Issued Under Transmittal No. 69
Vice President-Regulatory Operations
100 CenturyLink Drive
Monroe, Louisiana 71203

EFFECTIVE DATE:
May 1, 2015

ACCESS SERVICE

22. Reserved for Future Use (Cont'd)

(C)

(D)

(D)

(1) The CenturyLink services previously identified on this page are no longer offered under tariff. Effective March 13, 2015 the Commission granted forbearance from dominant carrier regulation of these services. http://transition.fcc.gov/Daily_Releases/Daily_Business/2015/db0316/DOC-332526A1.pdf
The rates, terms and conditions associated with these services are now available at:
<http://www.centurylink.com/Pages/AboutUs/Legal/Tariffs/displayTariffLandingPage.html>

ISSUE DATE:
April 16, 2015

Issued Under Transmittal No. 69
Vice President-Regulatory Operations
100 CenturyLink Drive
Monroe, Louisiana 71203

EFFECTIVE DATE:
May 1, 2015

ACCESS SERVICE

22. Reserved for Future Use (Cont'd)

(C)

(D)

(D)

(1) The CenturyLink services previously identified on this page are no longer offered under tariff. Effective March 13, 2015 the Commission granted forbearance from dominant carrier regulation of these services. http://transition.fcc.gov/Daily_Releases/Daily_Business/2015/db0316/DOC-332526A1.pdf
The rates, terms and conditions associated with these services are now available at:
<http://www.centurylink.com/Pages/AboutUs/Legal/Tariffs/displayTariffLandingPage.html>

ISSUE DATE:
April 16, 2015

Issued Under Transmittal No. 69
Vice President-Regulatory Operations
100 CenturyLink Drive
Monroe, Louisiana 71203

EFFECTIVE DATE:
May 1, 2015

ACCESS SERVICE

22. Reserved for Future Use (Cont'd)

(C)

(D)

(D)

(1) The CenturyLink services previously identified on this page are no longer offered under tariff. Effective March 13, 2015 the Commission granted forbearance from dominant carrier regulation of these services. http://transition.fcc.gov/Daily_Releases/Daily_Business/2015/db0316/DOC-332526A1.pdf
The rates, terms and conditions associated with these services are now available at:
<http://www.centurylink.com/Pages/AboutUs/Legal/Tariffs/displayTariffLandingPage.html>

ISSUE DATE:
April 16, 2015

Issued Under Transmittal No. 69
Vice President-Regulatory Operations
100 CenturyLink Drive
Monroe, Louisiana 71203

EFFECTIVE DATE:
May 1, 2015

ACCESS SERVICE

22. Reserved for Future Use (Cont'd)

(C)

(D)

(D)

(1) The CenturyLink services previously identified on this page are no longer offered under tariff. Effective March 13, 2015 the Commission granted forbearance from dominant carrier regulation of these services. http://transition.fcc.gov/Daily_Releases/Daily_Business/2015/db0316/DOC-332526A1.pdf
The rates, terms and conditions associated with these services are now available at:
<http://www.centurylink.com/Pages/AboutUs/Legal/Tariffs/displayTariffLandingPage.html>

ISSUE DATE:
April 16, 2015

Issued Under Transmittal No. 69
Vice President-Regulatory Operations
100 CenturyLink Drive
Monroe, Louisiana 71203

EFFECTIVE DATE:
May 1, 2015

ACCESS SERVICE

22. Reserved for Future Use (Cont'd)

(C)

(D)

(D)

(1) The CenturyLink services previously identified on this page are no longer offered under tariff. Effective March 13, 2015 the Commission granted forbearance from dominant carrier regulation of these services. http://transition.fcc.gov/Daily_Releases/Daily_Business/2015/db0316/DOC-332526A1.pdf
The rates, terms and conditions associated with these services are now available at:
<http://www.centurylink.com/Pages/AboutUs/Legal/Tariffs/displayTariffLandingPage.html>

ISSUE DATE:
April 16, 2015

Issued Under Transmittal No. 69
Vice President-Regulatory Operations
100 CenturyLink Drive
Monroe, Louisiana 71203

EFFECTIVE DATE:
May 1, 2015

ACCESS SERVICE

22. Reserved for Future Use (Cont'd)

(C)

(D)

(D)

(1) The CenturyLink services previously identified on this page are no longer offered under tariff. Effective March 13, 2015 the Commission granted forbearance from dominant carrier regulation of these services. http://transition.fcc.gov/Daily_Releases/Daily_Business/2015/db0316/DOC-332526A1.pdf
The rates, terms and conditions associated with these services are now available at:
<http://www.centurylink.com/Pages/AboutUs/Legal/Tariffs/displayTariffLandingPage.html>

ISSUE DATE:
April 16, 2015

Issued Under Transmittal No. 69
Vice President-Regulatory Operations
100 CenturyLink Drive
Monroe, Louisiana 71203

EFFECTIVE DATE:
May 1, 2015

ACCESS SERVICE

22. Reserved for Future Use (Cont'd)

(C)

(D)

(D)

(1) The CenturyLink services previously identified on this page are no longer offered under tariff. Effective March 13, 2015 the Commission granted forbearance from dominant carrier regulation of these services. http://transition.fcc.gov/Daily_Releases/Daily_Business/2015/db0316/DOC-332526A1.pdf
The rates, terms and conditions associated with these services are now available at:
<http://www.centurylink.com/Pages/AboutUs/Legal/Tariffs/displayTariffLandingPage.html>

ISSUE DATE:
April 16, 2015

Issued Under Transmittal No. 69
Vice President-Regulatory Operations
100 CenturyLink Drive
Monroe, Louisiana 71203

EFFECTIVE DATE:
May 1, 2015

ACCESS SERVICE

22. Reserved for Future Use (Cont'd)

(C)

(D)

(D)

(1) The CenturyLink services previously identified on this page are no longer offered under tariff. Effective March 13, 2015 the Commission granted forbearance from dominant carrier regulation of these services. http://transition.fcc.gov/Daily_Releases/Daily_Business/2015/db0316/DOC-332526A1.pdf
The rates, terms and conditions associated with these services are now available at:
<http://www.centurylink.com/Pages/AboutUs/Legal/Tariffs/displayTariffLandingPage.html>

ISSUE DATE:
April 16, 2015

Issued Under Transmittal No. 69
Vice President-Regulatory Operations
100 CenturyLink Drive
Monroe, Louisiana 71203

EFFECTIVE DATE:
May 1, 2015

ACCESS SERVICE

22. Reserved for Future Use (Cont'd)

(C)

(D)

(D)

(1) The CenturyLink services previously identified on this page are no longer offered under tariff. Effective March 13, 2015 the Commission granted forbearance from dominant carrier regulation of these services. http://transition.fcc.gov/Daily_Releases/Daily_Business/2015/db0316/DOC-332526A1.pdf
The rates, terms and conditions associated with these services are now available at:
<http://www.centurylink.com/Pages/AboutUs/Legal/Tariffs/displayTariffLandingPage.html>

ISSUE DATE:
April 16, 2015

Issued Under Transmittal No. 69
Vice President-Regulatory Operations
100 CenturyLink Drive
Monroe, Louisiana 71203

EFFECTIVE DATE:
May 1, 2015

ACCESS SERVICE

22. Reserved for Future Use (Cont'd)

(C)

(D)

(D)

(1) The CenturyLink services previously identified on this page are no longer offered under tariff. Effective March 13, 2015 the Commission granted forbearance from dominant carrier regulation of these services. http://transition.fcc.gov/Daily_Releases/Daily_Business/2015/db0316/DOC-332526A1.pdf
The rates, terms and conditions associated with these services are now available at:
<http://www.centurylink.com/Pages/AboutUs/Legal/Tariffs/displayTariffLandingPage.html>

ISSUE DATE:
April 16, 2015

Issued Under Transmittal No. 69
Vice President-Regulatory Operations
100 CenturyLink Drive
Monroe, Louisiana 71203

EFFECTIVE DATE:
May 1, 2015

ACCESS SERVICE

22. Reserved for Future Use (Cont'd)

(C)

(D)

(D)

(1) The CenturyLink services previously identified on this page are no longer offered under tariff. Effective March 13, 2015 the Commission granted forbearance from dominant carrier regulation of these services. http://transition.fcc.gov/Daily_Releases/Daily_Business/2015/db0316/DOC-332526A1.pdf
The rates, terms and conditions associated with these services are now available at:
<http://www.centurylink.com/Pages/AboutUs/Legal/Tariffs/displayTariffLandingPage.html>

ISSUE DATE:
April 16, 2015

Issued Under Transmittal No. 69
Vice President-Regulatory Operations
100 CenturyLink Drive
Monroe, Louisiana 71203

EFFECTIVE DATE:
May 1, 2015

ACCESS SERVICE

22. Reserved for Future Use (Cont'd)

(C)

(D)

(D)

(1) The CenturyLink services previously identified on this page are no longer offered under tariff. Effective March 13, 2015 the Commission granted forbearance from dominant carrier regulation of these services. http://transition.fcc.gov/Daily_Releases/Daily_Business/2015/db0316/DOC-332526A1.pdf
The rates, terms and conditions associated with these services are now available at:
<http://www.centurylink.com/Pages/AboutUs/Legal/Tariffs/displayTariffLandingPage.html>

ISSUE DATE:
April 16, 2015

Issued Under Transmittal No. 69
Vice President-Regulatory Operations
100 CenturyLink Drive
Monroe, Louisiana 71203

EFFECTIVE DATE:
May 1, 2015

ACCESS SERVICE

22. Reserved for Future Use (Cont'd)

(C)

(D)

(D)

(1) The CenturyLink services previously identified on this page are no longer offered under tariff. Effective March 13, 2015 the Commission granted forbearance from dominant carrier regulation of these services. http://transition.fcc.gov/Daily_Releases/Daily_Business/2015/db0316/DOC-332526A1.pdf
The rates, terms and conditions associated with these services are now available at:
<http://www.centurylink.com/Pages/AboutUs/Legal/Tariffs/displayTariffLandingPage.html>

ISSUE DATE:
April 16, 2015

Issued Under Transmittal No. 69
Vice President-Regulatory Operations
100 CenturyLink Drive
Monroe, Louisiana 71203

EFFECTIVE DATE:
May 1, 2015

ACCESS SERVICE

22. Reserved for Future Use (Cont'd)

(C)

(D)

(D)

(1) The CenturyLink services previously identified on this page are no longer offered under tariff. Effective March 13, 2015 the Commission granted forbearance from dominant carrier regulation of these services. http://transition.fcc.gov/Daily_Releases/Daily_Business/2015/db0316/DOC-332526A1.pdf
The rates, terms and conditions associated with these services are now available at:
<http://www.centurylink.com/Pages/AboutUs/Legal/Tariffs/displayTariffLandingPage.html>

ISSUE DATE:
April 16, 2015

Issued Under Transmittal No. 69
Vice President-Regulatory Operations
100 CenturyLink Drive
Monroe, Louisiana 71203

EFFECTIVE DATE:
May 1, 2015

ACCESS SERVICE

22. Reserved for Future Use (Cont'd)

(C)

(D)

(D)

(1) The CenturyLink services previously identified on this page are no longer offered under tariff. Effective March 13, 2015 the Commission granted forbearance from dominant carrier regulation of these services. http://transition.fcc.gov/Daily_Releases/Daily_Business/2015/db0316/DOC-332526A1.pdf
The rates, terms and conditions associated with these services are now available at:
<http://www.centurylink.com/Pages/AboutUs/Legal/Tariffs/displayTariffLandingPage.html>

ISSUE DATE:
April 16, 2015

Issued Under Transmittal No. 69
Vice President-Regulatory Operations
100 CenturyLink Drive
Monroe, Louisiana 71203

EFFECTIVE DATE:
May 1, 2015

ACCESS SERVICE

22. Reserved for Future Use (Cont'd)

(C)

(D)

(D)

(1) The CenturyLink services previously identified on this page are no longer offered under tariff. Effective March 13, 2015 the Commission granted forbearance from dominant carrier regulation of these services. http://transition.fcc.gov/Daily_Releases/Daily_Business/2015/db0316/DOC-332526A1.pdf
The rates, terms and conditions associated with these services are now available at:
<http://www.centurylink.com/Pages/AboutUs/Legal/Tariffs/displayTariffLandingPage.html>

ISSUE DATE:
April 16, 2015

Issued Under Transmittal No. 69
Vice President-Regulatory Operations
100 CenturyLink Drive
Monroe, Louisiana 71203

EFFECTIVE DATE:
May 1, 2015

ACCESS SERVICE

22. Reserved for Future Use (Cont'd)

(C)

(D)

(D)

(1) The CenturyLink services previously identified on this page are no longer offered under tariff. Effective March 13, 2015 the Commission granted forbearance from dominant carrier regulation of these services. http://transition.fcc.gov/Daily_Releases/Daily_Business/2015/db0316/DOC-332526A1.pdf
The rates, terms and conditions associated with these services are now available at:
<http://www.centurylink.com/Pages/AboutUs/Legal/Tariffs/displayTariffLandingPage.html>

ISSUE DATE:
April 16, 2015

Issued Under Transmittal No. 69
Vice President-Regulatory Operations
100 CenturyLink Drive
Monroe, Louisiana 71203

EFFECTIVE DATE:
May 1, 2015

ACCESS SERVICE

22. Reserved for Future Use (Cont'd)

(C)

(D)

(D)

(1) The CenturyLink services previously identified on this page are no longer offered under tariff. Effective March 13, 2015 the Commission granted forbearance from dominant carrier regulation of these services. http://transition.fcc.gov/Daily_Releases/Daily_Business/2015/db0316/DOC-332526A1.pdf
The rates, terms and conditions associated with these services are now available at:
<http://www.centurylink.com/Pages/AboutUs/Legal/Tariffs/displayTariffLandingPage.html>

ISSUE DATE:
April 16, 2015

Issued Under Transmittal No. 69
Vice President-Regulatory Operations
100 CenturyLink Drive
Monroe, Louisiana 71203

EFFECTIVE DATE:
May 1, 2015

ACCESS SERVICE

22. Reserved for Future Use (Cont'd)

(C)

(D)

(D)

(1) The CenturyLink services previously identified on this page are no longer offered under tariff. Effective March 13, 2015 the Commission granted forbearance from dominant carrier regulation of these services. http://transition.fcc.gov/Daily_Releases/Daily_Business/2015/db0316/DOC-332526A1.pdf
The rates, terms and conditions associated with these services are now available at:
<http://www.centurylink.com/Pages/AboutUs/Legal/Tariffs/displayTariffLandingPage.html>

ISSUE DATE:
April 16, 2015

Issued Under Transmittal No. 69
Vice President-Regulatory Operations
100 CenturyLink Drive
Monroe, Louisiana 71203

EFFECTIVE DATE:
May 1, 2015

ACCESS SERVICE

22. Reserved for Future Use (Cont'd)

(C)

(D)

(D)

(1) The CenturyLink services previously identified on this page are no longer offered under tariff. Effective March 13, 2015 the Commission granted forbearance from dominant carrier regulation of these services. http://transition.fcc.gov/Daily_Releases/Daily_Business/2015/db0316/DOC-332526A1.pdf
The rates, terms and conditions associated with these services are now available at:
<http://www.centurylink.com/Pages/AboutUs/Legal/Tariffs/displayTariffLandingPage.html>

ISSUE DATE:
April 16, 2015

Issued Under Transmittal No. 69
Vice President-Regulatory Operations
100 CenturyLink Drive
Monroe, Louisiana 71203

EFFECTIVE DATE:
May 1, 2015

ACCESS SERVICE

22. Reserved for Future Use (Cont'd)

(C)

(D)

(D)

(1) The CenturyLink services previously identified on this page are no longer offered under tariff. Effective March 13, 2015 the Commission granted forbearance from dominant carrier regulation of these services. http://transition.fcc.gov/Daily_Releases/Daily_Business/2015/db0316/DOC-332526A1.pdf
The rates, terms and conditions associated with these services are now available at:
<http://www.centurylink.com/Pages/AboutUs/Legal/Tariffs/displayTariffLandingPage.html>

ISSUE DATE:
April 16, 2015

Issued Under Transmittal No. 69
Vice President-Regulatory Operations
100 CenturyLink Drive
Monroe, Louisiana 71203

EFFECTIVE DATE:
May 1, 2015

ACCESS SERVICE

22. Reserved for Future Use (Cont'd)

(C)

(D)

(D)

(1) The CenturyLink services previously identified on this page are no longer offered under tariff. Effective March 13, 2015 the Commission granted forbearance from dominant carrier regulation of these services. http://transition.fcc.gov/Daily_Releases/Daily_Business/2015/db0316/DOC-332526A1.pdf
The rates, terms and conditions associated with these services are now available at:
<http://www.centurylink.com/Pages/AboutUs/Legal/Tariffs/displayTariffLandingPage.html>

ISSUE DATE:
April 16, 2015

Issued Under Transmittal No. 69
Vice President-Regulatory Operations
100 CenturyLink Drive
Monroe, Louisiana 71203

EFFECTIVE DATE:
May 1, 2015

ACCESS SERVICE

22. Reserved for Future Use (Cont'd)

(C)

(D)

(D)

(1) The CenturyLink services previously identified on this page are no longer offered under tariff. Effective March 13, 2015 the Commission granted forbearance from dominant carrier regulation of these services. http://transition.fcc.gov/Daily_Releases/Daily_Business/2015/db0316/DOC-332526A1.pdf
The rates, terms and conditions associated with these services are now available at:
<http://www.centurylink.com/Pages/AboutUs/Legal/Tariffs/displayTariffLandingPage.html>

ISSUE DATE:
April 16, 2015

Issued Under Transmittal No. 69
Vice President-Regulatory Operations
100 CenturyLink Drive
Monroe, Louisiana 71203

EFFECTIVE DATE:
May 1, 2015

ACCESS SERVICE

22. Reserved for Future Use (Cont'd)

(C)

(D)

(D)

(1) The CenturyLink services previously identified on this page are no longer offered under tariff. Effective March 13, 2015 the Commission granted forbearance from dominant carrier regulation of these services. http://transition.fcc.gov/Daily_Releases/Daily_Business/2015/db0316/DOC-332526A1.pdf
The rates, terms and conditions associated with these services are now available at:
<http://www.centurylink.com/Pages/AboutUs/Legal/Tariffs/displayTariffLandingPage.html>

ISSUE DATE:
April 16, 2015

Issued Under Transmittal No. 69
Vice President-Regulatory Operations
100 CenturyLink Drive
Monroe, Louisiana 71203

EFFECTIVE DATE:
May 1, 2015

ACCESS SERVICE

22. Reserved for Future Use (Cont'd)

(C)

(D)

(D)

(1) The CenturyLink services previously identified on this page are no longer offered under tariff. Effective March 13, 2015 the Commission granted forbearance from dominant carrier regulation of these services. http://transition.fcc.gov/Daily_Releases/Daily_Business/2015/db0316/DOC-332526A1.pdf
The rates, terms and conditions associated with these services are now available at:
<http://www.centurylink.com/Pages/AboutUs/Legal/Tariffs/displayTariffLandingPage.html>

ISSUE DATE:
April 16, 2015

Issued Under Transmittal No. 69
Vice President-Regulatory Operations
100 CenturyLink Drive
Monroe, Louisiana 71203

EFFECTIVE DATE:
May 1, 2015

ACCESS SERVICE

22. Reserved for Future Use (Cont'd)

(C)

(D)

(D)

(1) The CenturyLink services previously identified on this page are no longer offered under tariff. Effective March 13, 2015 the Commission granted forbearance from dominant carrier regulation of these services. http://transition.fcc.gov/Daily_Releases/Daily_Business/2015/db0316/DOC-332526A1.pdf
The rates, terms and conditions associated with these services are now available at:
<http://www.centurylink.com/Pages/AboutUs/Legal/Tariffs/displayTariffLandingPage.html>

ISSUE DATE:
April 16, 2015

Issued Under Transmittal No. 69
Vice President-Regulatory Operations
100 CenturyLink Drive
Monroe, Louisiana 71203

EFFECTIVE DATE:
May 1, 2015

ACCESS SERVICE

22. Reserved for Future Use (Cont'd)

(C)

(D)

(D)

(1) The CenturyLink services previously identified on this page are no longer offered under tariff. Effective March 13, 2015 the Commission granted forbearance from dominant carrier regulation of these services. http://transition.fcc.gov/Daily_Releases/Daily_Business/2015/db0316/DOC-332526A1.pdf
The rates, terms and conditions associated with these services are now available at:
<http://www.centurylink.com/Pages/AboutUs/Legal/Tariffs/displayTariffLandingPage.html>

ISSUE DATE:
April 16, 2015

Issued Under Transmittal No. 69
Vice President-Regulatory Operations
100 CenturyLink Drive
Monroe, Louisiana 71203

EFFECTIVE DATE:
May 1, 2015

ACCESS SERVICE

22. Reserved for Future Use (Cont'd)

(C)

(D)

(D)

(1) The CenturyLink services previously identified on this page are no longer offered under tariff. Effective March 13, 2015 the Commission granted forbearance from dominant carrier regulation of these services. http://transition.fcc.gov/Daily_Releases/Daily_Business/2015/db0316/DOC-332526A1.pdf
The rates, terms and conditions associated with these services are now available at:
<http://www.centurylink.com/Pages/AboutUs/Legal/Tariffs/displayTariffLandingPage.html>

ISSUE DATE:
April 16, 2015

Issued Under Transmittal No. 69
Vice President-Regulatory Operations
100 CenturyLink Drive
Monroe, Louisiana 71203

EFFECTIVE DATE:
May 1, 2015

ACCESS SERVICE

22. Reserved for Future Use (Cont'd)

(C)

(D)

(D)

(1) The CenturyLink services previously identified on this page are no longer offered under tariff. Effective March 13, 2015 the Commission granted forbearance from dominant carrier regulation of these services. http://transition.fcc.gov/Daily_Releases/Daily_Business/2015/db0316/DOC-332526A1.pdf
The rates, terms and conditions associated with these services are now available at:
<http://www.centurylink.com/Pages/AboutUs/Legal/Tariffs/displayTariffLandingPage.html>

ISSUE DATE:
April 16, 2015

Issued Under Transmittal No. 69
Vice President-Regulatory Operations
100 CenturyLink Drive
Monroe, Louisiana 71203

EFFECTIVE DATE:
May 1, 2015

ACCESS SERVICE

22. Reserved for Future Use (Cont'd)

(C)

(D)

(D)

(1) The CenturyLink services previously identified on this page are no longer offered under tariff. Effective March 13, 2015 the Commission granted forbearance from dominant carrier regulation of these services. http://transition.fcc.gov/Daily_Releases/Daily_Business/2015/db0316/DOC-332526A1.pdf
The rates, terms and conditions associated with these services are now available at:
<http://www.centurylink.com/Pages/AboutUs/Legal/Tariffs/displayTariffLandingPage.html>

ISSUE DATE:
April 16, 2015

Issued Under Transmittal No. 69
Vice President-Regulatory Operations
100 CenturyLink Drive
Monroe, Louisiana 71203

EFFECTIVE DATE:
May 1, 2015

ACCESS SERVICE

22. Reserved for Future Use (Cont'd)

(C)

(D)

(D)

(1) The CenturyLink services previously identified on this page are no longer offered under tariff. Effective March 13, 2015 the Commission granted forbearance from dominant carrier regulation of these services. http://transition.fcc.gov/Daily_Releases/Daily_Business/2015/db0316/DOC-332526A1.pdf
The rates, terms and conditions associated with these services are now available at:
<http://www.centurylink.com/Pages/AboutUs/Legal/Tariffs/displayTariffLandingPage.html>

ISSUE DATE:
April 16, 2015

Issued Under Transmittal No. 69
Vice President-Regulatory Operations
100 CenturyLink Drive
Monroe, Louisiana 71203

EFFECTIVE DATE:
May 1, 2015

ACCESS SERVICE

22. Reserved for Future Use (Cont'd)

(C)

(D)

(D)

(1) The CenturyLink services previously identified on this page are no longer offered under tariff. Effective March 13, 2015 the Commission granted forbearance from dominant carrier regulation of these services. http://transition.fcc.gov/Daily_Releases/Daily_Business/2015/db0316/DOC-332526A1.pdf
The rates, terms and conditions associated with these services are now available at:
<http://www.centurylink.com/Pages/AboutUs/Legal/Tariffs/displayTariffLandingPage.html>

ISSUE DATE:
April 16, 2015

Issued Under Transmittal No. 69
Vice President-Regulatory Operations
100 CenturyLink Drive
Monroe, Louisiana 71203

EFFECTIVE DATE:
May 1, 2015

ACCESS SERVICE

22. Reserved for Future Use (Cont'd)

(C)

(D)

(D)

(1) The CenturyLink services previously identified on this page are no longer offered under tariff. Effective March 13, 2015 the Commission granted forbearance from dominant carrier regulation of these services. http://transition.fcc.gov/Daily_Releases/Daily_Business/2015/db0316/DOC-332526A1.pdf
The rates, terms and conditions associated with these services are now available at:
<http://www.centurylink.com/Pages/AboutUs/Legal/Tariffs/displayTariffLandingPage.html>

ISSUE DATE:
April 16, 2015

Issued Under Transmittal No. 69
Vice President-Regulatory Operations
100 CenturyLink Drive
Monroe, Louisiana 71203

EFFECTIVE DATE:
May 1, 2015

ACCESS SERVICE

22. Reserved for Future Use (Cont'd)

(C)

(D)

(D)

(1) The CenturyLink services previously identified on this page are no longer offered under tariff. Effective March 13, 2015 the Commission granted forbearance from dominant carrier regulation of these services. http://transition.fcc.gov/Daily_Releases/Daily_Business/2015/db0316/DOC-332526A1.pdf
The rates, terms and conditions associated with these services are now available at:
<http://www.centurylink.com/Pages/AboutUs/Legal/Tariffs/displayTariffLandingPage.html>

ISSUE DATE:
April 16, 2015

Issued Under Transmittal No. 69
Vice President-Regulatory Operations
100 CenturyLink Drive
Monroe, Louisiana 71203

EFFECTIVE DATE:
May 1, 2015

ACCESS SERVICE

22. Reserved for Future Use (Cont'd)

(C)

(D)

(D)

(1) The CenturyLink services previously identified on this page are no longer offered under tariff. Effective March 13, 2015 the Commission granted forbearance from dominant carrier regulation of these services. http://transition.fcc.gov/Daily_Releases/Daily_Business/2015/db0316/DOC-332526A1.pdf
The rates, terms and conditions associated with these services are now available at:
<http://www.centurylink.com/Pages/AboutUs/Legal/Tariffs/displayTariffLandingPage.html>

ISSUE DATE:
April 16, 2015

Issued Under Transmittal No. 69
Vice President-Regulatory Operations
100 CenturyLink Drive
Monroe, Louisiana 71203

EFFECTIVE DATE:
May 1, 2015

ACCESS SERVICE

22. Reserved for Future Use (Cont'd)

(C)

(D)

(D)

(1) The CenturyLink services previously identified on this page are no longer offered under tariff. Effective March 13, 2015 the Commission granted forbearance from dominant carrier regulation of these services. http://transition.fcc.gov/Daily_Releases/Daily_Business/2015/db0316/DOC-332526A1.pdf
The rates, terms and conditions associated with these services are now available at:
<http://www.centurylink.com/Pages/AboutUs/Legal/Tariffs/displayTariffLandingPage.html>

ISSUE DATE:
April 16, 2015

Issued Under Transmittal No. 69
Vice President-Regulatory Operations
100 CenturyLink Drive
Monroe, Louisiana 71203

EFFECTIVE DATE:
May 1, 2015

ACCESS SERVICE

22. Reserved for Future Use (Cont'd)

(C)

(D)

(D)

(1) The CenturyLink services previously identified on this page are no longer offered under tariff. Effective March 13, 2015 the Commission granted forbearance from dominant carrier regulation of these services. http://transition.fcc.gov/Daily_Releases/Daily_Business/2015/db0316/DOC-332526A1.pdf
The rates, terms and conditions associated with these services are now available at:
<http://www.centurylink.com/Pages/AboutUs/Legal/Tariffs/displayTariffLandingPage.html>

ISSUE DATE:
April 16, 2015

Issued Under Transmittal No. 69
Vice President-Regulatory Operations
100 CenturyLink Drive
Monroe, Louisiana 71203

EFFECTIVE DATE:
May 1, 2015

ACCESS SERVICE

22. Reserved for Future Use (Cont'd)

(C)

(D)

(D)

(1) The CenturyLink services previously identified on this page are no longer offered under tariff. Effective March 13, 2015 the Commission granted forbearance from dominant carrier regulation of these services. http://transition.fcc.gov/Daily_Releases/Daily_Business/2015/db0316/DOC-332526A1.pdf
The rates, terms and conditions associated with these services are now available at:
<http://www.centurylink.com/Pages/AboutUs/Legal/Tariffs/displayTariffLandingPage.html>

ISSUE DATE:
April 16, 2015

Issued Under Transmittal No. 69
Vice President-Regulatory Operations
100 CenturyLink Drive
Monroe, Louisiana 71203

EFFECTIVE DATE:
May 1, 2015

ACCESS SERVICE

22. Reserved for Future Use (Cont'd)

(C)

(D)

(D)

(1) The CenturyLink services previously identified on this page are no longer offered under tariff. Effective March 13, 2015 the Commission granted forbearance from dominant carrier regulation of these services. http://transition.fcc.gov/Daily_Releases/Daily_Business/2015/db0316/DOC-332526A1.pdf
The rates, terms and conditions associated with these services are now available at:
<http://www.centurylink.com/Pages/AboutUs/Legal/Tariffs/displayTariffLandingPage.html>

ISSUE DATE:
April 16, 2015

Issued Under Transmittal No. 69
Vice President-Regulatory Operations
100 CenturyLink Drive
Monroe, Louisiana 71203

EFFECTIVE DATE:
May 1, 2015

ACCESS SERVICE

22. Reserved for Future Use (Cont'd)

(C)

(D)

(D)

(1) The CenturyLink services previously identified on this page are no longer offered under tariff. Effective March 13, 2015 the Commission granted forbearance from dominant carrier regulation of these services. http://transition.fcc.gov/Daily_Releases/Daily_Business/2015/db0316/DOC-332526A1.pdf
The rates, terms and conditions associated with these services are now available at:
<http://www.centurylink.com/Pages/AboutUs/Legal/Tariffs/displayTariffLandingPage.html>

ISSUE DATE:
April 16, 2015

Issued Under Transmittal No. 69
Vice President-Regulatory Operations
100 CenturyLink Drive
Monroe, Louisiana 71203

EFFECTIVE DATE:
May 1, 2015

ACCESS SERVICE

22. Reserved for Future Use (Cont'd)

(C)

(D)

(D)

(1) The CenturyLink services previously identified on this page are no longer offered under tariff. Effective March 13, 2015 the Commission granted forbearance from dominant carrier regulation of these services. http://transition.fcc.gov/Daily_Releases/Daily_Business/2015/db0316/DOC-332526A1.pdf
The rates, terms and conditions associated with these services are now available at:
<http://www.centurylink.com/Pages/AboutUs/Legal/Tariffs/displayTariffLandingPage.html>

ISSUE DATE:
April 16, 2015

Issued Under Transmittal No. 69
Vice President-Regulatory Operations
100 CenturyLink Drive
Monroe, Louisiana 71203

EFFECTIVE DATE:
May 1, 2015

ACCESS SERVICE

22. Reserved for Future Use (Cont'd)

(C)

(D)

(D)

(1) The CenturyLink services previously identified on this page are no longer offered under tariff. Effective March 13, 2015 the Commission granted forbearance from dominant carrier regulation of these services. http://transition.fcc.gov/Daily_Releases/Daily_Business/2015/db0316/DOC-332526A1.pdf
The rates, terms and conditions associated with these services are now available at:
<http://www.centurylink.com/Pages/AboutUs/Legal/Tariffs/displayTariffLandingPage.html>

ISSUE DATE:
April 16, 2015

Issued Under Transmittal No. 69
Vice President-Regulatory Operations
100 CenturyLink Drive
Monroe, Louisiana 71203

EFFECTIVE DATE:
May 1, 2015

ACCESS SERVICE

22. Reserved for Future Use (Cont'd)

(C)

(D)

(D)

(1) The CenturyLink services previously identified on this page are no longer offered under tariff. Effective March 13, 2015 the Commission granted forbearance from dominant carrier regulation of these services. http://transition.fcc.gov/Daily_Releases/Daily_Business/2015/db0316/DOC-332526A1.pdf
The rates, terms and conditions associated with these services are now available at:
<http://www.centurylink.com/Pages/AboutUs/Legal/Tariffs/displayTariffLandingPage.html>

ISSUE DATE:
April 16, 2015

Issued Under Transmittal No. 69
Vice President-Regulatory Operations
100 CenturyLink Drive
Monroe, Louisiana 71203

EFFECTIVE DATE:
May 1, 2015

ACCESS SERVICE

22. Reserved for Future Use (Cont'd)

(C)

(D)

(D)

(1) The CenturyLink services previously identified on this page are no longer offered under tariff. Effective March 13, 2015 the Commission granted forbearance from dominant carrier regulation of these services. http://transition.fcc.gov/Daily_Releases/Daily_Business/2015/db0316/DOC-332526A1.pdf
The rates, terms and conditions associated with these services are now available at:
<http://www.centurylink.com/Pages/AboutUs/Legal/Tariffs/displayTariffLandingPage.html>

ISSUE DATE:
April 16, 2015

Issued Under Transmittal No. 69
Vice President-Regulatory Operations
100 CenturyLink Drive
Monroe, Louisiana 71203

EFFECTIVE DATE:
May 1, 2015

ACCESS SERVICE

22. Reserved for Future Use (Cont'd)

(C)

(D)

(D)

(1) The CenturyLink services previously identified on this page are no longer offered under tariff. Effective March 13, 2015 the Commission granted forbearance from dominant carrier regulation of these services. http://transition.fcc.gov/Daily_Releases/Daily_Business/2015/db0316/DOC-332526A1.pdf
The rates, terms and conditions associated with these services are now available at:
<http://www.centurylink.com/Pages/AboutUs/Legal/Tariffs/displayTariffLandingPage.html>

ISSUE DATE:
April 16, 2015

Issued Under Transmittal No. 69
Vice President-Regulatory Operations
100 CenturyLink Drive
Monroe, Louisiana 71203

EFFECTIVE DATE:
May 1, 2015

ACCESS SERVICE

22. Reserved for Future Use (Cont'd)

(C)

(D)

(D)

(1) The CenturyLink services previously identified on this page are no longer offered under tariff. Effective March 13, 2015 the Commission granted forbearance from dominant carrier regulation of these services. http://transition.fcc.gov/Daily_Releases/Daily_Business/2015/db0316/DOC-332526A1.pdf
The rates, terms and conditions associated with these services are now available at:
<http://www.centurylink.com/Pages/AboutUs/Legal/Tariffs/displayTariffLandingPage.html>

ISSUE DATE:
April 16, 2015

Issued Under Transmittal No. 69
Vice President-Regulatory Operations
100 CenturyLink Drive
Monroe, Louisiana 71203

EFFECTIVE DATE:
May 1, 2015

ACCESS SERVICE

22. Reserved for Future Use (Cont'd)

(C)

(D)

(D)

(1) The CenturyLink services previously identified on this page are no longer offered under tariff. Effective March 13, 2015 the Commission granted forbearance from dominant carrier regulation of these services. http://transition.fcc.gov/Daily_Releases/Daily_Business/2015/db0316/DOC-332526A1.pdf
The rates, terms and conditions associated with these services are now available at:
<http://www.centurylink.com/Pages/AboutUs/Legal/Tariffs/displayTariffLandingPage.html>

ISSUE DATE:
April 16, 2015

Issued Under Transmittal No. 69
Vice President-Regulatory Operations
100 CenturyLink Drive
Monroe, Louisiana 71203

EFFECTIVE DATE:
May 1, 2015

ACCESS SERVICE

22. Reserved for Future Use (Cont'd)

(C)

(D)

(D)

(1) The CenturyLink services previously identified on this page are no longer offered under tariff. Effective March 13, 2015 the Commission granted forbearance from dominant carrier regulation of these services. http://transition.fcc.gov/Daily_Releases/Daily_Business/2015/db0316/DOC-332526A1.pdf
The rates, terms and conditions associated with these services are now available at:
<http://www.centurylink.com/Pages/AboutUs/Legal/Tariffs/displayTariffLandingPage.html>

ISSUE DATE:
April 16, 2015

Issued Under Transmittal No. 69
Vice President-Regulatory Operations
100 CenturyLink Drive
Monroe, Louisiana 71203

EFFECTIVE DATE:
May 1, 2015

ACCESS SERVICE

22. Reserved for Future Use (Cont'd)

(C)

(D)

(D)

(1) The CenturyLink services previously identified on this page are no longer offered under tariff. Effective March 13, 2015 the Commission granted forbearance from dominant carrier regulation of these services. http://transition.fcc.gov/Daily_Releases/Daily_Business/2015/db0316/DOC-332526A1.pdf
The rates, terms and conditions associated with these services are now available at:
<http://www.centurylink.com/Pages/AboutUs/Legal/Tariffs/displayTariffLandingPage.html>

ISSUE DATE:
April 16, 2015

Issued Under Transmittal No. 69
Vice President-Regulatory Operations
100 CenturyLink Drive
Monroe, Louisiana 71203

EFFECTIVE DATE:
May 1, 2015

ACCESS SERVICE

22. Reserved for Future Use (Cont'd)

(C)

(D)

(D)

(1) The CenturyLink services previously identified on this page are no longer offered under tariff. Effective March 13, 2015 the Commission granted forbearance from dominant carrier regulation of these services. http://transition.fcc.gov/Daily_Releases/Daily_Business/2015/db0316/DOC-332526A1.pdf
The rates, terms and conditions associated with these services are now available at:
<http://www.centurylink.com/Pages/AboutUs/Legal/Tariffs/displayTariffLandingPage.html>

ISSUE DATE:
April 16, 2015

Issued Under Transmittal No. 69
Vice President-Regulatory Operations
100 CenturyLink Drive
Monroe, Louisiana 71203

EFFECTIVE DATE:
May 1, 2015

ACCESS SERVICE

22. Reserved for Future Use (Cont'd)

(C)

(D)

(D)

(1) The CenturyLink services previously identified on this page are no longer offered under tariff. Effective March 13, 2015 the Commission granted forbearance from dominant carrier regulation of these services. http://transition.fcc.gov/Daily_Releases/Daily_Business/2015/db0316/DOC-332526A1.pdf
The rates, terms and conditions associated with these services are now available at:
<http://www.centurylink.com/Pages/AboutUs/Legal/Tariffs/displayTariffLandingPage.html>

ISSUE DATE:
April 16, 2015

Issued Under Transmittal No. 69
Vice President-Regulatory Operations
100 CenturyLink Drive
Monroe, Louisiana 71203

EFFECTIVE DATE:
May 1, 2015

ACCESS SERVICE

22. Reserved for Future Use (Cont'd)

(C)

(D)

(D)

(1) The CenturyLink services previously identified on this page are no longer offered under tariff. Effective March 13, 2015 the Commission granted forbearance from dominant carrier regulation of these services. http://transition.fcc.gov/Daily_Releases/Daily_Business/2015/db0316/DOC-332526A1.pdf
The rates, terms and conditions associated with these services are now available at:
<http://www.centurylink.com/Pages/AboutUs/Legal/Tariffs/displayTariffLandingPage.html>

ISSUE DATE:
April 16, 2015

Issued Under Transmittal No. 69
Vice President-Regulatory Operations
100 CenturyLink Drive
Monroe, Louisiana 71203

EFFECTIVE DATE:
May 1, 2015

ACCESS SERVICE

22. Reserved for Future Use (Cont'd)

(C)

(D)

(D)

(1) The CenturyLink services previously identified on this page are no longer offered under tariff. Effective March 13, 2015 the Commission granted forbearance from dominant carrier regulation of these services. http://transition.fcc.gov/Daily_Releases/Daily_Business/2015/db0316/DOC-332526A1.pdf
The rates, terms and conditions associated with these services are now available at:
<http://www.centurylink.com/Pages/AboutUs/Legal/Tariffs/displayTariffLandingPage.html>

ISSUE DATE:
April 16, 2015

Issued Under Transmittal No. 69
Vice President-Regulatory Operations
100 CenturyLink Drive
Monroe, Louisiana 71203

EFFECTIVE DATE:
May 1, 2015

ACCESS SERVICE

22. Reserved for Future Use (Cont'd)

(C)

(D)

(D)

(1) The CenturyLink services previously identified on this page are no longer offered under tariff. Effective March 13, 2015 the Commission granted forbearance from dominant carrier regulation of these services. http://transition.fcc.gov/Daily_Releases/Daily_Business/2015/db0316/DOC-332526A1.pdf
The rates, terms and conditions associated with these services are now available at:
<http://www.centurylink.com/Pages/AboutUs/Legal/Tariffs/displayTariffLandingPage.html>

ISSUE DATE:
April 16, 2015

Issued Under Transmittal No. 69
Vice President-Regulatory Operations
100 CenturyLink Drive
Monroe, Louisiana 71203

EFFECTIVE DATE:
May 1, 2015

ACCESS SERVICE

22. Reserved for Future Use (Cont'd)

(C)

(D)

(D)

(1) The CenturyLink services previously identified on this page are no longer offered under tariff. Effective March 13, 2015 the Commission granted forbearance from dominant carrier regulation of these services. http://transition.fcc.gov/Daily_Releases/Daily_Business/2015/db0316/DOC-332526A1.pdf
The rates, terms and conditions associated with these services are now available at:
<http://www.centurylink.com/Pages/AboutUs/Legal/Tariffs/displayTariffLandingPage.html>

ISSUE DATE:
April 16, 2015

Issued Under Transmittal No. 69
Vice President-Regulatory Operations
100 CenturyLink Drive
Monroe, Louisiana 71203

EFFECTIVE DATE:
May 1, 2015

ACCESS SERVICE

22. Reserved for Future Use (Cont'd)

(C)

(D)

(D)

(1) The CenturyLink services previously identified on this page are no longer offered under tariff. Effective March 13, 2015 the Commission granted forbearance from dominant carrier regulation of these services. http://transition.fcc.gov/Daily_Releases/Daily_Business/2015/db0316/DOC-332526A1.pdf
The rates, terms and conditions associated with these services are now available at:
<http://www.centurylink.com/Pages/AboutUs/Legal/Tariffs/displayTariffLandingPage.html>

ISSUE DATE:
April 16, 2015

Issued Under Transmittal No. 69
Vice President-Regulatory Operations
100 CenturyLink Drive
Monroe, Louisiana 71203

EFFECTIVE DATE:
May 1, 2015

ACCESS SERVICE

22. Reserved for Future Use (Cont'd)

(C)

(D)

(D)

(1) The CenturyLink services previously identified on this page are no longer offered under tariff. Effective March 13, 2015 the Commission granted forbearance from dominant carrier regulation of these services. http://transition.fcc.gov/Daily_Releases/Daily_Business/2015/db0316/DOC-332526A1.pdf
The rates, terms and conditions associated with these services are now available at:
<http://www.centurylink.com/Pages/AboutUs/Legal/Tariffs/displayTariffLandingPage.html>

ISSUE DATE:
April 16, 2015

Issued Under Transmittal No. 69
Vice President-Regulatory Operations
100 CenturyLink Drive
Monroe, Louisiana 71203

EFFECTIVE DATE:
May 1, 2015

ACCESS SERVICE

22. Reserved for Future Use (Cont'd)

(C)

(D)

(D)

(1) The CenturyLink services previously identified on this page are no longer offered under tariff. Effective March 13, 2015 the Commission granted forbearance from dominant carrier regulation of these services. http://transition.fcc.gov/Daily_Releases/Daily_Business/2015/db0316/DOC-332526A1.pdf
The rates, terms and conditions associated with these services are now available at:
<http://www.centurylink.com/Pages/AboutUs/Legal/Tariffs/displayTariffLandingPage.html>

ISSUE DATE:
April 16, 2015

Issued Under Transmittal No. 69
Vice President-Regulatory Operations
100 CenturyLink Drive
Monroe, Louisiana 71203

EFFECTIVE DATE:
May 1, 2015

ACCESS SERVICE

22. Reserved for Future Use (Cont'd)

(C)

(D)

(D)

(1) The CenturyLink services previously identified on this page are no longer offered under tariff. Effective March 13, 2015 the Commission granted forbearance from dominant carrier regulation of these services. http://transition.fcc.gov/Daily_Releases/Daily_Business/2015/db0316/DOC-332526A1.pdf
The rates, terms and conditions associated with these services are now available at:
<http://www.centurylink.com/Pages/AboutUs/Legal/Tariffs/displayTariffLandingPage.html>

ISSUE DATE:
April 16, 2015

Issued Under Transmittal No. 69
Vice President-Regulatory Operations
100 CenturyLink Drive
Monroe, Louisiana 71203

EFFECTIVE DATE:
May 1, 2015

ACCESS SERVICE

22. Reserved for Future Use (Cont'd)

(C)

(D)

(D)

(1) The CenturyLink services previously identified on this page are no longer offered under tariff. Effective March 13, 2015 the Commission granted forbearance from dominant carrier regulation of these services. http://transition.fcc.gov/Daily_Releases/Daily_Business/2015/db0316/DOC-332526A1.pdf
The rates, terms and conditions associated with these services are now available at:
<http://www.centurylink.com/Pages/AboutUs/Legal/Tariffs/displayTariffLandingPage.html>

ISSUE DATE:
April 16, 2015

Issued Under Transmittal No. 69
Vice President-Regulatory Operations
100 CenturyLink Drive
Monroe, Louisiana 71203

EFFECTIVE DATE:
May 1, 2015

ACCESS SERVICE

22. Reserved for Future Use (Cont'd)

(C)

(D)

(D)

(1) The CenturyLink services previously identified on this page are no longer offered under tariff. Effective March 13, 2015 the Commission granted forbearance from dominant carrier regulation of these services. http://transition.fcc.gov/Daily_Releases/Daily_Business/2015/db0316/DOC-332526A1.pdf
The rates, terms and conditions associated with these services are now available at:
<http://www.centurylink.com/Pages/AboutUs/Legal/Tariffs/displayTariffLandingPage.html>

ISSUE DATE:
April 16, 2015

Issued Under Transmittal No. 69
Vice President-Regulatory Operations
100 CenturyLink Drive
Monroe, Louisiana 71203

EFFECTIVE DATE:
May 1, 2015

ACCESS SERVICE

22. Reserved for Future Use (Cont'd)

(C)

(D)

(D)

(1) The CenturyLink services previously identified on this page are no longer offered under tariff. Effective March 13, 2015 the Commission granted forbearance from dominant carrier regulation of these services. http://transition.fcc.gov/Daily_Releases/Daily_Business/2015/db0316/DOC-332526A1.pdf
The rates, terms and conditions associated with these services are now available at:
<http://www.centurylink.com/Pages/AboutUs/Legal/Tariffs/displayTariffLandingPage.html>

ISSUE DATE:
April 16, 2015

Issued Under Transmittal No. 69
Vice President-Regulatory Operations
100 CenturyLink Drive
Monroe, Louisiana 71203

EFFECTIVE DATE:
May 1, 2015

ACCESS SERVICE

22. Reserved for Future Use (Cont'd)

(C)

(D)

(D)

(1) The CenturyLink services previously identified on this page are no longer offered under tariff. Effective March 13, 2015 the Commission granted forbearance from dominant carrier regulation of these services. http://transition.fcc.gov/Daily_Releases/Daily_Business/2015/db0316/DOC-332526A1.pdf
The rates, terms and conditions associated with these services are now available at:
<http://www.centurylink.com/Pages/AboutUs/Legal/Tariffs/displayTariffLandingPage.html>

ISSUE DATE:
April 16, 2015

Issued Under Transmittal No. 69
Vice President-Regulatory Operations
100 CenturyLink Drive
Monroe, Louisiana 71203

EFFECTIVE DATE:
May 1, 2015

ACCESS SERVICE

22. Reserved for Future Use (Cont'd)

(C)

(D)

(D)

(1) The CenturyLink services previously identified on this page are no longer offered under tariff. Effective March 13, 2015 the Commission granted forbearance from dominant carrier regulation of these services. http://transition.fcc.gov/Daily_Releases/Daily_Business/2015/db0316/DOC-332526A1.pdf
The rates, terms and conditions associated with these services are now available at:
<http://www.centurylink.com/Pages/AboutUs/Legal/Tariffs/displayTariffLandingPage.html>

ISSUE DATE:
April 16, 2015

Issued Under Transmittal No. 69
Vice President-Regulatory Operations
100 CenturyLink Drive
Monroe, Louisiana 71203

EFFECTIVE DATE:
May 1, 2015

ACCESS SERVICE

22. Reserved for Future Use (Cont'd)

(C)

(D)

(D)

(1) The CenturyLink services previously identified on this page are no longer offered under tariff. Effective March 13, 2015 the Commission granted forbearance from dominant carrier regulation of these services. http://transition.fcc.gov/Daily_Releases/Daily_Business/2015/db0316/DOC-332526A1.pdf
The rates, terms and conditions associated with these services are now available at:
<http://www.centurylink.com/Pages/AboutUs/Legal/Tariffs/displayTariffLandingPage.html>

ISSUE DATE:
April 16, 2015

Issued Under Transmittal No. 69
Vice President-Regulatory Operations
100 CenturyLink Drive
Monroe, Louisiana 71203

EFFECTIVE DATE:
May 1, 2015

ACCESS SERVICE

22. Reserved for Future Use (Cont'd)

(C)

(D)

(D)

(1) The CenturyLink services previously identified on this page are no longer offered under tariff. Effective March 13, 2015 the Commission granted forbearance from dominant carrier regulation of these services. http://transition.fcc.gov/Daily_Releases/Daily_Business/2015/db0316/DOC-332526A1.pdf
The rates, terms and conditions associated with these services are now available at:
<http://www.centurylink.com/Pages/AboutUs/Legal/Tariffs/displayTariffLandingPage.html>

ISSUE DATE:
April 16, 2015

Issued Under Transmittal No. 69
Vice President-Regulatory Operations
100 CenturyLink Drive
Monroe, Louisiana 71203

EFFECTIVE DATE:
May 1, 2015

ACCESS SERVICE

22. Reserved for Future Use (Cont'd)

(C)

(D)

(D)

(1) The CenturyLink services previously identified on this page are no longer offered under tariff. Effective March 13, 2015 the Commission granted forbearance from dominant carrier regulation of these services. http://transition.fcc.gov/Daily_Releases/Daily_Business/2015/db0316/DOC-332526A1.pdf
The rates, terms and conditions associated with these services are now available at:
<http://www.centurylink.com/Pages/AboutUs/Legal/Tariffs/displayTariffLandingPage.html>

ISSUE DATE:
April 16, 2015

Issued Under Transmittal No. 69
Vice President-Regulatory Operations
100 CenturyLink Drive
Monroe, Louisiana 71203

EFFECTIVE DATE:
May 1, 2015

ACCESS SERVICE

22. Reserved for Future Use (Cont'd)

(C)

(D)

(D)

(1) The CenturyLink services previously identified on this page are no longer offered under tariff. Effective March 13, 2015 the Commission granted forbearance from dominant carrier regulation of these services. http://transition.fcc.gov/Daily_Releases/Daily_Business/2015/db0316/DOC-332526A1.pdf
The rates, terms and conditions associated with these services are now available at:
<http://www.centurylink.com/Pages/AboutUs/Legal/Tariffs/displayTariffLandingPage.html>

ISSUE DATE:
April 16, 2015

Issued Under Transmittal No. 69
Vice President-Regulatory Operations
100 CenturyLink Drive
Monroe, Louisiana 71203

EFFECTIVE DATE:
May 1, 2015

ACCESS SERVICE

22. Reserved for Future Use (Cont'd)

(C)

(D)

(D)

(1) The CenturyLink services previously identified on this page are no longer offered under tariff. Effective March 13, 2015 the Commission granted forbearance from dominant carrier regulation of these services. http://transition.fcc.gov/Daily_Releases/Daily_Business/2015/db0316/DOC-332526A1.pdf
The rates, terms and conditions associated with these services are now available at:
<http://www.centurylink.com/Pages/AboutUs/Legal/Tariffs/displayTariffLandingPage.html>

ISSUE DATE:
April 16, 2015

Issued Under Transmittal No. 69
Vice President-Regulatory Operations
100 CenturyLink Drive
Monroe, Louisiana 71203

EFFECTIVE DATE:
May 1, 2015

ACCESS SERVICE

22. Reserved for Future Use (Cont'd)

(C)

(D)

(D)

(1) The CenturyLink services previously identified on this page are no longer offered under tariff. Effective March 13, 2015 the Commission granted forbearance from dominant carrier regulation of these services. http://transition.fcc.gov/Daily_Releases/Daily_Business/2015/db0316/DOC-332526A1.pdf
The rates, terms and conditions associated with these services are now available at:
<http://www.centurylink.com/Pages/AboutUs/Legal/Tariffs/displayTariffLandingPage.html>

ISSUE DATE:
April 16, 2015

Issued Under Transmittal No. 69
Vice President-Regulatory Operations
100 CenturyLink Drive
Monroe, Louisiana 71203

EFFECTIVE DATE:
May 1, 2015

ACCESS SERVICE

22. Reserved for Future Use (Cont'd)

(C)

(D)

(D)

(1) The CenturyLink services previously identified on this page are no longer offered under tariff. Effective March 13, 2015 the Commission granted forbearance from dominant carrier regulation of these services. http://transition.fcc.gov/Daily_Releases/Daily_Business/2015/db0316/DOC-332526A1.pdf
The rates, terms and conditions associated with these services are now available at:
<http://www.centurylink.com/Pages/AboutUs/Legal/Tariffs/displayTariffLandingPage.html>

ISSUE DATE:
April 16, 2015

Issued Under Transmittal No. 69
Vice President-Regulatory Operations
100 CenturyLink Drive
Monroe, Louisiana 71203

EFFECTIVE DATE:
May 1, 2015

ACCESS SERVICE

22. Reserved for Future Use (Cont'd)

(C)

(D)

(D)

(1) The CenturyLink services previously identified on this page are no longer offered under tariff. Effective March 13, 2015 the Commission granted forbearance from dominant carrier regulation of these services. http://transition.fcc.gov/Daily_Releases/Daily_Business/2015/db0316/DOC-332526A1.pdf
The rates, terms and conditions associated with these services are now available at:
<http://www.centurylink.com/Pages/AboutUs/Legal/Tariffs/displayTariffLandingPage.html>

ISSUE DATE:
April 16, 2015

Issued Under Transmittal No. 69
Vice President-Regulatory Operations
100 CenturyLink Drive
Monroe, Louisiana 71203

EFFECTIVE DATE:
May 1, 2015

ACCESS SERVICE

22. Reserved for Future Use (Cont'd)

(C)

(D)

(D)

(1) The CenturyLink services previously identified on this page are no longer offered under tariff. Effective March 13, 2015 the Commission granted forbearance from dominant carrier regulation of these services. http://transition.fcc.gov/Daily_Releases/Daily_Business/2015/db0316/DOC-332526A1.pdf
The rates, terms and conditions associated with these services are now available at:
<http://www.centurylink.com/Pages/AboutUs/Legal/Tariffs/displayTariffLandingPage.html>

ISSUE DATE:
April 16, 2015

Issued Under Transmittal No. 69
Vice President-Regulatory Operations
100 CenturyLink Drive
Monroe, Louisiana 71203

EFFECTIVE DATE:
May 1, 2015

ACCESS SERVICE

22. Reserved for Future Use (Cont'd)

(C)

(D)

(D)

(1) The CenturyLink services previously identified on this page are no longer offered under tariff. Effective March 13, 2015 the Commission granted forbearance from dominant carrier regulation of these services. http://transition.fcc.gov/Daily_Releases/Daily_Business/2015/db0316/DOC-332526A1.pdf
The rates, terms and conditions associated with these services are now available at:
<http://www.centurylink.com/Pages/AboutUs/Legal/Tariffs/displayTariffLandingPage.html>

ISSUE DATE:
April 16, 2015

Issued Under Transmittal No. 69
Vice President-Regulatory Operations
100 CenturyLink Drive
Monroe, Louisiana 71203

EFFECTIVE DATE:
May 1, 2015

ACCESS SERVICE

22. Reserved for Future Use (Cont'd)

(C)

(D)

(D)

(1) The CenturyLink services previously identified on this page are no longer offered under tariff. Effective March 13, 2015 the Commission granted forbearance from dominant carrier regulation of these services. http://transition.fcc.gov/Daily_Releases/Daily_Business/2015/db0316/DOC-332526A1.pdf
The rates, terms and conditions associated with these services are now available at:
<http://www.centurylink.com/Pages/AboutUs/Legal/Tariffs/displayTariffLandingPage.html>

ISSUE DATE:
April 16, 2015

Issued Under Transmittal No. 69
Vice President-Regulatory Operations
100 CenturyLink Drive
Monroe, Louisiana 71203

EFFECTIVE DATE:
May 1, 2015

ACCESS SERVICE

22. Reserved for Future Use (Cont'd)

(C)

(D)

(D)

(1) The CenturyLink services previously identified on this page are no longer offered under tariff. Effective March 13, 2015 the Commission granted forbearance from dominant carrier regulation of these services. http://transition.fcc.gov/Daily_Releases/Daily_Business/2015/db0316/DOC-332526A1.pdf
The rates, terms and conditions associated with these services are now available at:
<http://www.centurylink.com/Pages/AboutUs/Legal/Tariffs/displayTariffLandingPage.html>

ISSUE DATE:
April 16, 2015

Issued Under Transmittal No. 69
Vice President-Regulatory Operations
100 CenturyLink Drive
Monroe, Louisiana 71203

EFFECTIVE DATE:
May 1, 2015

ACCESS SERVICE

22. Reserved for Future Use (Cont'd)

(C)

(D)

(D)

(1) The CenturyLink services previously identified on this page are no longer offered under tariff. Effective March 13, 2015 the Commission granted forbearance from dominant carrier regulation of these services. http://transition.fcc.gov/Daily_Releases/Daily_Business/2015/db0316/DOC-332526A1.pdf
The rates, terms and conditions associated with these services are now available at:
<http://www.centurylink.com/Pages/AboutUs/Legal/Tariffs/displayTariffLandingPage.html>

ISSUE DATE:
April 16, 2015

Issued Under Transmittal No. 69
Vice President-Regulatory Operations
100 CenturyLink Drive
Monroe, Louisiana 71203

EFFECTIVE DATE:
May 1, 2015

ACCESS SERVICE

22. Reserved for Future Use (Cont'd)

(C)

(D)

(D)

(1) The CenturyLink services previously identified on this page are no longer offered under tariff. Effective March 13, 2015 the Commission granted forbearance from dominant carrier regulation of these services. http://transition.fcc.gov/Daily_Releases/Daily_Business/2015/db0316/DOC-332526A1.pdf
The rates, terms and conditions associated with these services are now available at:
<http://www.centurylink.com/Pages/AboutUs/Legal/Tariffs/displayTariffLandingPage.html>

ISSUE DATE:
April 16, 2015

Issued Under Transmittal No. 69
Vice President-Regulatory Operations
100 CenturyLink Drive
Monroe, Louisiana 71203

EFFECTIVE DATE:
May 1, 2015

ACCESS SERVICE

22. Reserved for Future Use (Cont'd)

(C)

(D)

(D)

(1) The CenturyLink services previously identified on this page are no longer offered under tariff. Effective March 13, 2015 the Commission granted forbearance from dominant carrier regulation of these services. http://transition.fcc.gov/Daily_Releases/Daily_Business/2015/db0316/DOC-332526A1.pdf
The rates, terms and conditions associated with these services are now available at:
<http://www.centurylink.com/Pages/AboutUs/Legal/Tariffs/displayTariffLandingPage.html>

ISSUE DATE:
April 16, 2015

Issued Under Transmittal No. 69
Vice President-Regulatory Operations
100 CenturyLink Drive
Monroe, Louisiana 71203

EFFECTIVE DATE:
May 1, 2015

ACCESS SERVICE

22. Reserved for Future Use (Cont'd)

(C)

(D)

(D)

(1) The CenturyLink services previously identified on this page are no longer offered under tariff. Effective March 13, 2015 the Commission granted forbearance from dominant carrier regulation of these services. http://transition.fcc.gov/Daily_Releases/Daily_Business/2015/db0316/DOC-332526A1.pdf
The rates, terms and conditions associated with these services are now available at:
<http://www.centurylink.com/Pages/AboutUs/Legal/Tariffs/displayTariffLandingPage.html>

ISSUE DATE:
April 16, 2015

Issued Under Transmittal No. 69
Vice President-Regulatory Operations
100 CenturyLink Drive
Monroe, Louisiana 71203

EFFECTIVE DATE:
May 1, 2015

ACCESS SERVICE

22. Reserved for Future Use (Cont'd)

(C)

(D)

(D)

(1) The CenturyLink services previously identified on this page are no longer offered under tariff. Effective March 13, 2015 the Commission granted forbearance from dominant carrier regulation of these services. http://transition.fcc.gov/Daily_Releases/Daily_Business/2015/db0316/DOC-332526A1.pdf
The rates, terms and conditions associated with these services are now available at:
<http://www.centurylink.com/Pages/AboutUs/Legal/Tariffs/displayTariffLandingPage.html>

ISSUE DATE:
April 16, 2015

Issued Under Transmittal No. 69
Vice President-Regulatory Operations
100 CenturyLink Drive
Monroe, Louisiana 71203

EFFECTIVE DATE:
May 1, 2015

ACCESS SERVICE

22. Reserved for Future Use (Cont'd)

(C)

(D)

(D)

(1) The CenturyLink services previously identified on this page are no longer offered under tariff. Effective March 13, 2015 the Commission granted forbearance from dominant carrier regulation of these services. http://transition.fcc.gov/Daily_Releases/Daily_Business/2015/db0316/DOC-332526A1.pdf
The rates, terms and conditions associated with these services are now available at:
<http://www.centurylink.com/Pages/AboutUs/Legal/Tariffs/displayTariffLandingPage.html>

ISSUE DATE:
April 16, 2015

Issued Under Transmittal No. 69
Vice President-Regulatory Operations
100 CenturyLink Drive
Monroe, Louisiana 71203

EFFECTIVE DATE:
May 1, 2015

ACCESS SERVICE

22. Reserved for Future Use (Cont'd)

(C)

(D)

(D)

(1) The CenturyLink services previously identified on this page are no longer offered under tariff. Effective March 13, 2015 the Commission granted forbearance from dominant carrier regulation of these services. http://transition.fcc.gov/Daily_Releases/Daily_Business/2015/db0316/DOC-332526A1.pdf
The rates, terms and conditions associated with these services are now available at:
<http://www.centurylink.com/Pages/AboutUs/Legal/Tariffs/displayTariffLandingPage.html>

ISSUE DATE:
April 16, 2015

Issued Under Transmittal No. 69
Vice President-Regulatory Operations
100 CenturyLink Drive
Monroe, Louisiana 71203

EFFECTIVE DATE:
May 1, 2015

ACCESS SERVICE

22. Reserved for Future Use (Cont'd)

(C)

(D)

(D)

(1) The CenturyLink services previously identified on this page are no longer offered under tariff. Effective March 13, 2015 the Commission granted forbearance from dominant carrier regulation of these services. http://transition.fcc.gov/Daily_Releases/Daily_Business/2015/db0316/DOC-332526A1.pdf
The rates, terms and conditions associated with these services are now available at:
<http://www.centurylink.com/Pages/AboutUs/Legal/Tariffs/displayTariffLandingPage.html>

ISSUE DATE:
April 16, 2015

Issued Under Transmittal No. 69
Vice President-Regulatory Operations
100 CenturyLink Drive
Monroe, Louisiana 71203

EFFECTIVE DATE:
May 1, 2015

ACCESS SERVICE

22. Reserved for Future Use (Cont'd)

(C)

(D)

(D)

(1) The CenturyLink services previously identified on this page are no longer offered under tariff. Effective March 13, 2015 the Commission granted forbearance from dominant carrier regulation of these services. http://transition.fcc.gov/Daily_Releases/Daily_Business/2015/db0316/DOC-332526A1.pdf
The rates, terms and conditions associated with these services are now available at:
<http://www.centurylink.com/Pages/AboutUs/Legal/Tariffs/displayTariffLandingPage.html>

ISSUE DATE:
April 16, 2015

Issued Under Transmittal No. 69
Vice President-Regulatory Operations
100 CenturyLink Drive
Monroe, Louisiana 71203

EFFECTIVE DATE:
May 1, 2015

ACCESS SERVICE

22. Reserved for Future Use (Cont'd)

(C)

(D)

(D)

(1) The CenturyLink services previously identified on this page are no longer offered under tariff. Effective March 13, 2015 the Commission granted forbearance from dominant carrier regulation of these services. http://transition.fcc.gov/Daily_Releases/Daily_Business/2015/db0316/DOC-332526A1.pdf
The rates, terms and conditions associated with these services are now available at:
<http://www.centurylink.com/Pages/AboutUs/Legal/Tariffs/displayTariffLandingPage.html>

ISSUE DATE:
April 16, 2015

Issued Under Transmittal No. 69
Vice President-Regulatory Operations
100 CenturyLink Drive
Monroe, Louisiana 71203

EFFECTIVE DATE:
May 1, 2015

ACCESS SERVICE

22. Reserved for Future Use (Cont'd)

(C)

(D)

(D)

(1) The CenturyLink services previously identified on this page are no longer offered under tariff. Effective March 13, 2015 the Commission granted forbearance from dominant carrier regulation of these services. http://transition.fcc.gov/Daily_Releases/Daily_Business/2015/db0316/DOC-332526A1.pdf
The rates, terms and conditions associated with these services are now available at:
<http://www.centurylink.com/Pages/AboutUs/Legal/Tariffs/displayTariffLandingPage.html>

ISSUE DATE:
April 16, 2015

Issued Under Transmittal No. 69
Vice President-Regulatory Operations
100 CenturyLink Drive
Monroe, Louisiana 71203

EFFECTIVE DATE:
May 1, 2015

ACCESS SERVICE

22. Reserved for Future Use (Cont'd)

(C)

(D)

(D)

(1) The CenturyLink services previously identified on this page are no longer offered under tariff. Effective March 13, 2015 the Commission granted forbearance from dominant carrier regulation of these services. http://transition.fcc.gov/Daily_Releases/Daily_Business/2015/db0316/DOC-332526A1.pdf
The rates, terms and conditions associated with these services are now available at:
<http://www.centurylink.com/Pages/AboutUs/Legal/Tariffs/displayTariffLandingPage.html>

ISSUE DATE:
April 16, 2015

Issued Under Transmittal No. 69
Vice President-Regulatory Operations
100 CenturyLink Drive
Monroe, Louisiana 71203

EFFECTIVE DATE:
May 1, 2015

ACCESS SERVICE

22. Reserved for Future Use (Cont'd)

(C)

(D)

(D)

(1) The CenturyLink services previously identified on this page are no longer offered under tariff. Effective March 13, 2015 the Commission granted forbearance from dominant carrier regulation of these services. http://transition.fcc.gov/Daily_Releases/Daily_Business/2015/db0316/DOC-332526A1.pdf
The rates, terms and conditions associated with these services are now available at:
<http://www.centurylink.com/Pages/AboutUs/Legal/Tariffs/displayTariffLandingPage.html>

ISSUE DATE:
April 16, 2015

Issued Under Transmittal No. 69
Vice President-Regulatory Operations
100 CenturyLink Drive
Monroe, Louisiana 71203

EFFECTIVE DATE:
May 1, 2015

ACCESS SERVICE

22. Reserved for Future Use (Cont'd)

(C)

(D)

(D)

(1) The CenturyLink services previously identified on this page are no longer offered under tariff. Effective March 13, 2015 the Commission granted forbearance from dominant carrier regulation of these services. http://transition.fcc.gov/Daily_Releases/Daily_Business/2015/db0316/DOC-332526A1.pdf
The rates, terms and conditions associated with these services are now available at:
<http://www.centurylink.com/Pages/AboutUs/Legal/Tariffs/displayTariffLandingPage.html>

ISSUE DATE:
April 16, 2015

Issued Under Transmittal No. 69
Vice President-Regulatory Operations
100 CenturyLink Drive
Monroe, Louisiana 71203

EFFECTIVE DATE:
May 1, 2015

ACCESS SERVICE

22. Reserved for Future Use (Cont'd)

(C)

(D)

(D)

(1) The CenturyLink services previously identified on this page are no longer offered under tariff. Effective March 13, 2015 the Commission granted forbearance from dominant carrier regulation of these services. http://transition.fcc.gov/Daily_Releases/Daily_Business/2015/db0316/DOC-332526A1.pdf
The rates, terms and conditions associated with these services are now available at:
<http://www.centurylink.com/Pages/AboutUs/Legal/Tariffs/displayTariffLandingPage.html>

ISSUE DATE:
April 16, 2015

Issued Under Transmittal No. 69
Vice President-Regulatory Operations
100 CenturyLink Drive
Monroe, Louisiana 71203

EFFECTIVE DATE:
May 1, 2015

ACCESS SERVICE

22. Reserved for Future Use (Cont'd)

(C)

(D)

(D)

(1) The CenturyLink services previously identified on this page are no longer offered under tariff. Effective March 13, 2015 the Commission granted forbearance from dominant carrier regulation of these services. http://transition.fcc.gov/Daily_Releases/Daily_Business/2015/db0316/DOC-332526A1.pdf
The rates, terms and conditions associated with these services are now available at:
<http://www.centurylink.com/Pages/AboutUs/Legal/Tariffs/displayTariffLandingPage.html>

ISSUE DATE:
April 16, 2015

Issued Under Transmittal No. 69
Vice President-Regulatory Operations
100 CenturyLink Drive
Monroe, Louisiana 71203

EFFECTIVE DATE:
May 1, 2015

ACCESS SERVICE

22. Reserved for Future Use (Cont'd)

(C)

(D)

(D)

(1) The CenturyLink services previously identified on this page are no longer offered under tariff. Effective March 13, 2015 the Commission granted forbearance from dominant carrier regulation of these services. http://transition.fcc.gov/Daily_Releases/Daily_Business/2015/db0316/DOC-332526A1.pdf
The rates, terms and conditions associated with these services are now available at:
<http://www.centurylink.com/Pages/AboutUs/Legal/Tariffs/displayTariffLandingPage.html>

ISSUE DATE:
April 16, 2015

Issued Under Transmittal No. 69
Vice President-Regulatory Operations
100 CenturyLink Drive
Monroe, Louisiana 71203

EFFECTIVE DATE:
May 1, 2015

ACCESS SERVICE

22. Reserved for Future Use (Cont'd)

(C)

(D)

(D)

(1) The CenturyLink services previously identified on this page are no longer offered under tariff. Effective March 13, 2015 the Commission granted forbearance from dominant carrier regulation of these services. http://transition.fcc.gov/Daily_Releases/Daily_Business/2015/db0316/DOC-332526A1.pdf
The rates, terms and conditions associated with these services are now available at:
<http://www.centurylink.com/Pages/AboutUs/Legal/Tariffs/displayTariffLandingPage.html>

ISSUE DATE:
April 16, 2015

Issued Under Transmittal No. 69
Vice President-Regulatory Operations
100 CenturyLink Drive
Monroe, Louisiana 71203

EFFECTIVE DATE:
May 1, 2015

ACCESS SERVICE

22. Reserved for Future Use (Cont'd)

(C)

(D)

(D)

(1) The CenturyLink services previously identified on this page are no longer offered under tariff. Effective March 13, 2015 the Commission granted forbearance from dominant carrier regulation of these services. http://transition.fcc.gov/Daily_Releases/Daily_Business/2015/db0316/DOC-332526A1.pdf
The rates, terms and conditions associated with these services are now available at:
<http://www.centurylink.com/Pages/AboutUs/Legal/Tariffs/displayTariffLandingPage.html>

ISSUE DATE:
April 16, 2015

Issued Under Transmittal No. 69
Vice President-Regulatory Operations
100 CenturyLink Drive
Monroe, Louisiana 71203

EFFECTIVE DATE:
May 1, 2015

ACCESS SERVICE

22. Reserved for Future Use (Cont'd)

(C)

(D)

(D)

(1) The CenturyLink services previously identified on this page are no longer offered under tariff. Effective March 13, 2015 the Commission granted forbearance from dominant carrier regulation of these services. http://transition.fcc.gov/Daily_Releases/Daily_Business/2015/db0316/DOC-332526A1.pdf
The rates, terms and conditions associated with these services are now available at:
<http://www.centurylink.com/Pages/AboutUs/Legal/Tariffs/displayTariffLandingPage.html>

ISSUE DATE:
April 16, 2015

Issued Under Transmittal No. 69
Vice President-Regulatory Operations
100 CenturyLink Drive
Monroe, Louisiana 71203

EFFECTIVE DATE:
May 1, 2015

ACCESS SERVICE

22. Reserved for Future Use (Cont'd)

(C)

(D)

(D)

(1) The CenturyLink services previously identified on this page are no longer offered under tariff. Effective March 13, 2015 the Commission granted forbearance from dominant carrier regulation of these services. http://transition.fcc.gov/Daily_Releases/Daily_Business/2015/db0316/DOC-332526A1.pdf
The rates, terms and conditions associated with these services are now available at:
<http://www.centurylink.com/Pages/AboutUs/Legal/Tariffs/displayTariffLandingPage.html>

ISSUE DATE:
April 16, 2015

Issued Under Transmittal No. 69
Vice President-Regulatory Operations
100 CenturyLink Drive
Monroe, Louisiana 71203

EFFECTIVE DATE:
May 1, 2015

ACCESS SERVICE

22. Reserved for Future Use (Cont'd)

(C)

(D)

(D)

(1) The CenturyLink services previously identified on this page are no longer offered under tariff. Effective March 13, 2015 the Commission granted forbearance from dominant carrier regulation of these services. http://transition.fcc.gov/Daily_Releases/Daily_Business/2015/db0316/DOC-332526A1.pdf
The rates, terms and conditions associated with these services are now available at:
<http://www.centurylink.com/Pages/AboutUs/Legal/Tariffs/displayTariffLandingPage.html>

ISSUE DATE:
April 16, 2015

Issued Under Transmittal No. 69
Vice President-Regulatory Operations
100 CenturyLink Drive
Monroe, Louisiana 71203

EFFECTIVE DATE:
May 1, 2015

ACCESS SERVICE

22. Reserved for Future Use (Cont'd)

(C)

(D)

(D)

(1) The CenturyLink services previously identified on this page are no longer offered under tariff. Effective March 13, 2015 the Commission granted forbearance from dominant carrier regulation of these services. http://transition.fcc.gov/Daily_Releases/Daily_Business/2015/db0316/DOC-332526A1.pdf
The rates, terms and conditions associated with these services are now available at:
<http://www.centurylink.com/Pages/AboutUs/Legal/Tariffs/displayTariffLandingPage.html>

ISSUE DATE:
April 16, 2015

Issued Under Transmittal No. 69
Vice President-Regulatory Operations
100 CenturyLink Drive
Monroe, Louisiana 71203

EFFECTIVE DATE:
May 1, 2015

ACCESS SERVICE

22. Reserved for Future Use (Cont'd)

(C)

(D)

(D)

(1) The CenturyLink services previously identified on this page are no longer offered under tariff. Effective March 13, 2015 the Commission granted forbearance from dominant carrier regulation of these services. http://transition.fcc.gov/Daily_Releases/Daily_Business/2015/db0316/DOC-332526A1.pdf
The rates, terms and conditions associated with these services are now available at:
<http://www.centurylink.com/Pages/AboutUs/Legal/Tariffs/displayTariffLandingPage.html>

ISSUE DATE:
April 16, 2015

Issued Under Transmittal No. 69
Vice President-Regulatory Operations
100 CenturyLink Drive
Monroe, Louisiana 71203

EFFECTIVE DATE:
May 1, 2015

ACCESS SERVICE

22. Reserved for Future Use (Cont'd)

(C)

(D)

(D)

(1) The CenturyLink services previously identified on this page are no longer offered under tariff. Effective March 13, 2015 the Commission granted forbearance from dominant carrier regulation of these services. http://transition.fcc.gov/Daily_Releases/Daily_Business/2015/db0316/DOC-332526A1.pdf
The rates, terms and conditions associated with these services are now available at:
<http://www.centurylink.com/Pages/AboutUs/Legal/Tariffs/displayTariffLandingPage.html>

ISSUE DATE:
April 16, 2015

Issued Under Transmittal No. 69
Vice President-Regulatory Operations
100 CenturyLink Drive
Monroe, Louisiana 71203

EFFECTIVE DATE:
May 1, 2015

ACCESS SERVICE

22. Reserved for Future Use (Cont'd)

(C)

(D)

(D)

(1) The CenturyLink services previously identified on this page are no longer offered under tariff. Effective March 13, 2015 the Commission granted forbearance from dominant carrier regulation of these services. http://transition.fcc.gov/Daily_Releases/Daily_Business/2015/db0316/DOC-332526A1.pdf
The rates, terms and conditions associated with these services are now available at:
<http://www.centurylink.com/Pages/AboutUs/Legal/Tariffs/displayTariffLandingPage.html>

ISSUE DATE:
April 16, 2015

Issued Under Transmittal No. 69
Vice President-Regulatory Operations
100 CenturyLink Drive
Monroe, Louisiana 71203

EFFECTIVE DATE:
May 1, 2015

ACCESS SERVICE

22. Reserved for Future Use (Cont'd)

(C)

(D)

(D)

(1) The CenturyLink services previously identified on this page are no longer offered under tariff. Effective March 13, 2015 the Commission granted forbearance from dominant carrier regulation of these services. http://transition.fcc.gov/Daily_Releases/Daily_Business/2015/db0316/DOC-332526A1.pdf
The rates, terms and conditions associated with these services are now available at:
<http://www.centurylink.com/Pages/AboutUs/Legal/Tariffs/displayTariffLandingPage.html>

ISSUE DATE:
April 16, 2015

Issued Under Transmittal No. 69
Vice President-Regulatory Operations
100 CenturyLink Drive
Monroe, Louisiana 71203

EFFECTIVE DATE:
May 1, 2015

ACCESS SERVICE

22. Reserved for Future Use (Cont'd)

(C)

(D)

(D)

(1) The CenturyLink services previously identified on this page are no longer offered under tariff. Effective March 13, 2015 the Commission granted forbearance from dominant carrier regulation of these services. http://transition.fcc.gov/Daily_Releases/Daily_Business/2015/db0316/DOC-332526A1.pdf
The rates, terms and conditions associated with these services are now available at:
<http://www.centurylink.com/Pages/AboutUs/Legal/Tariffs/displayTariffLandingPage.html>

ISSUE DATE:
April 16, 2015

Issued Under Transmittal No. 69
Vice President-Regulatory Operations
100 CenturyLink Drive
Monroe, Louisiana 71203

EFFECTIVE DATE:
May 1, 2015

ACCESS SERVICE

22. Reserved for Future Use (Cont'd)

(C)

(D)

(D)

(1) The CenturyLink services previously identified on this page are no longer offered under tariff. Effective March 13, 2015 the Commission granted forbearance from dominant carrier regulation of these services. http://transition.fcc.gov/Daily_Releases/Daily_Business/2015/db0316/DOC-332526A1.pdf
The rates, terms and conditions associated with these services are now available at:
<http://www.centurylink.com/Pages/AboutUs/Legal/Tariffs/displayTariffLandingPage.html>

ISSUE DATE:
April 16, 2015

Issued Under Transmittal No. 69
Vice President-Regulatory Operations
100 CenturyLink Drive
Monroe, Louisiana 71203

EFFECTIVE DATE:
May 1, 2015

ACCESS SERVICE

22. Reserved for Future Use (Cont'd)

(C)

(D)

(D)

(1) The CenturyLink services previously identified on this page are no longer offered under tariff. Effective March 13, 2015 the Commission granted forbearance from dominant carrier regulation of these services. http://transition.fcc.gov/Daily_Releases/Daily_Business/2015/db0316/DOC-332526A1.pdf
The rates, terms and conditions associated with these services are now available at:
<http://www.centurylink.com/Pages/AboutUs/Legal/Tariffs/displayTariffLandingPage.html>

ISSUE DATE:
April 16, 2015

Issued Under Transmittal No. 69
Vice President-Regulatory Operations
100 CenturyLink Drive
Monroe, Louisiana 71203

EFFECTIVE DATE:
May 1, 2015

ACCESS SERVICE

22. Reserved for Future Use (Cont'd)

(C)

(D)

(D)

(1) The CenturyLink services previously identified on this page are no longer offered under tariff. Effective March 13, 2015 the Commission granted forbearance from dominant carrier regulation of these services. http://transition.fcc.gov/Daily_Releases/Daily_Business/2015/db0316/DOC-332526A1.pdf
The rates, terms and conditions associated with these services are now available at:
<http://www.centurylink.com/Pages/AboutUs/Legal/Tariffs/displayTariffLandingPage.html>

ISSUE DATE:
April 16, 2015

Issued Under Transmittal No. 69
Vice President-Regulatory Operations
100 CenturyLink Drive
Monroe, Louisiana 71203

EFFECTIVE DATE:
May 1, 2015

ACCESS SERVICE

22. Reserved for Future Use (Cont'd)

(C)

(D)

(D)

(1) The CenturyLink services previously identified on this page are no longer offered under tariff. Effective March 13, 2015 the Commission granted forbearance from dominant carrier regulation of these services. http://transition.fcc.gov/Daily_Releases/Daily_Business/2015/db0316/DOC-332526A1.pdf
The rates, terms and conditions associated with these services are now available at:
<http://www.centurylink.com/Pages/AboutUs/Legal/Tariffs/displayTariffLandingPage.html>

ISSUE DATE:
April 16, 2015

Issued Under Transmittal No. 69
Vice President-Regulatory Operations
100 CenturyLink Drive
Monroe, Louisiana 71203

EFFECTIVE DATE:
May 1, 2015

ACCESS SERVICE

22. Reserved for Future Use (Cont'd)

(C)

(D)

(D)

(1) The CenturyLink services previously identified on this page are no longer offered under tariff. Effective March 13, 2015 the Commission granted forbearance from dominant carrier regulation of these services. http://transition.fcc.gov/Daily_Releases/Daily_Business/2015/db0316/DOC-332526A1.pdf
The rates, terms and conditions associated with these services are now available at:
<http://www.centurylink.com/Pages/AboutUs/Legal/Tariffs/displayTariffLandingPage.html>

ISSUE DATE:
April 16, 2015

Issued Under Transmittal No. 69
Vice President-Regulatory Operations
100 CenturyLink Drive
Monroe, Louisiana 71203

EFFECTIVE DATE:
May 1, 2015

ACCESS SERVICE

22. Reserved for Future Use (Cont'd)

(C)

(D)

(D)

(1) The CenturyLink services previously identified on this page are no longer offered under tariff. Effective March 13, 2015 the Commission granted forbearance from dominant carrier regulation of these services. http://transition.fcc.gov/Daily_Releases/Daily_Business/2015/db0316/DOC-332526A1.pdf
The rates, terms and conditions associated with these services are now available at:
<http://www.centurylink.com/Pages/AboutUs/Legal/Tariffs/displayTariffLandingPage.html>

ISSUE DATE:
April 16, 2015

Issued Under Transmittal No. 69
Vice President-Regulatory Operations
100 CenturyLink Drive
Monroe, Louisiana 71203

EFFECTIVE DATE:
May 1, 2015

ACCESS SERVICE

22. Reserved for Future Use (Cont'd)

(C)

(D)

(D)

(1) The CenturyLink services previously identified on this page are no longer offered under tariff. Effective March 13, 2015 the Commission granted forbearance from dominant carrier regulation of these services. http://transition.fcc.gov/Daily_Releases/Daily_Business/2015/db0316/DOC-332526A1.pdf
The rates, terms and conditions associated with these services are now available at:
<http://www.centurylink.com/Pages/AboutUs/Legal/Tariffs/displayTariffLandingPage.html>

ISSUE DATE:
April 16, 2015

Issued Under Transmittal No. 69
Vice President-Regulatory Operations
100 CenturyLink Drive
Monroe, Louisiana 71203

EFFECTIVE DATE:
May 1, 2015

ACCESS SERVICE

22. Reserved for Future Use (Cont'd)

(C)

(D)

(D)

(1) The CenturyLink services previously identified on this page are no longer offered under tariff. Effective March 13, 2015 the Commission granted forbearance from dominant carrier regulation of these services. http://transition.fcc.gov/Daily_Releases/Daily_Business/2015/db0316/DOC-332526A1.pdf
The rates, terms and conditions associated with these services are now available at:
<http://www.centurylink.com/Pages/AboutUs/Legal/Tariffs/displayTariffLandingPage.html>

ISSUE DATE:
April 16, 2015

Issued Under Transmittal No. 69
Vice President-Regulatory Operations
100 CenturyLink Drive
Monroe, Louisiana 71203

EFFECTIVE DATE:
May 1, 2015

ACCESS SERVICE

22. Reserved for Future Use (Cont'd)

(C)

(D)

(D)

(1) The CenturyLink services previously identified on this page are no longer offered under tariff. Effective March 13, 2015 the Commission granted forbearance from dominant carrier regulation of these services. http://transition.fcc.gov/Daily_Releases/Daily_Business/2015/db0316/DOC-332526A1.pdf
The rates, terms and conditions associated with these services are now available at:
<http://www.centurylink.com/Pages/AboutUs/Legal/Tariffs/displayTariffLandingPage.html>

ISSUE DATE:
April 16, 2015

Issued Under Transmittal No. 69
Vice President-Regulatory Operations
100 CenturyLink Drive
Monroe, Louisiana 71203

EFFECTIVE DATE:
May 1, 2015

ACCESS SERVICE

22. Reserved for Future Use (Cont'd)

(C)

(D)

(D)

(1) The CenturyLink services previously identified on this page are no longer offered under tariff. Effective March 13, 2015 the Commission granted forbearance from dominant carrier regulation of these services. http://transition.fcc.gov/Daily_Releases/Daily_Business/2015/db0316/DOC-332526A1.pdf
The rates, terms and conditions associated with these services are now available at:
<http://www.centurylink.com/Pages/AboutUs/Legal/Tariffs/displayTariffLandingPage.html>

ISSUE DATE:
April 16, 2015

Issued Under Transmittal No. 69
Vice President-Regulatory Operations
100 CenturyLink Drive
Monroe, Louisiana 71203

EFFECTIVE DATE:
May 1, 2015

ACCESS SERVICE

22. Reserved for Future Use (Cont'd)

(C)

(D)

(D)

(1) The CenturyLink services previously identified on this page are no longer offered under tariff. Effective March 13, 2015 the Commission granted forbearance from dominant carrier regulation of these services. http://transition.fcc.gov/Daily_Releases/Daily_Business/2015/db0316/DOC-332526A1.pdf
The rates, terms and conditions associated with these services are now available at:
<http://www.centurylink.com/Pages/AboutUs/Legal/Tariffs/displayTariffLandingPage.html>

ISSUE DATE:
April 16, 2015

Issued Under Transmittal No. 69
Vice President-Regulatory Operations
100 CenturyLink Drive
Monroe, Louisiana 71203

EFFECTIVE DATE:
May 1, 2015

ACCESS SERVICE

22. Reserved for Future Use (Cont'd)

(C)

(D)

(D)

(1) The CenturyLink services previously identified on this page are no longer offered under tariff. Effective March 13, 2015 the Commission granted forbearance from dominant carrier regulation of these services. http://transition.fcc.gov/Daily_Releases/Daily_Business/2015/db0316/DOC-332526A1.pdf
The rates, terms and conditions associated with these services are now available at:
<http://www.centurylink.com/Pages/AboutUs/Legal/Tariffs/displayTariffLandingPage.html>

ISSUE DATE:
April 16, 2015

Issued Under Transmittal No. 69
Vice President-Regulatory Operations
100 CenturyLink Drive
Monroe, Louisiana 71203

EFFECTIVE DATE:
May 1, 2015

ACCESS SERVICE

22. Reserved for Future Use (Cont'd)

(C)

(D)

(D)

(1) The CenturyLink services previously identified on this page are no longer offered under tariff. Effective March 13, 2015 the Commission granted forbearance from dominant carrier regulation of these services. http://transition.fcc.gov/Daily_Releases/Daily_Business/2015/db0316/DOC-332526A1.pdf
The rates, terms and conditions associated with these services are now available at:
<http://www.centurylink.com/Pages/AboutUs/Legal/Tariffs/displayTariffLandingPage.html>

ISSUE DATE:
April 16, 2015

Issued Under Transmittal No. 69
Vice President-Regulatory Operations
100 CenturyLink Drive
Monroe, Louisiana 71203

EFFECTIVE DATE:
May 1, 2015

ACCESS SERVICE

22. Reserved for Future Use (Cont'd)

(C)

(D)

(D)

(1) The CenturyLink services previously identified on this page are no longer offered under tariff. Effective March 13, 2015 the Commission granted forbearance from dominant carrier regulation of these services. http://transition.fcc.gov/Daily_Releases/Daily_Business/2015/db0316/DOC-332526A1.pdf
The rates, terms and conditions associated with these services are now available at:
<http://www.centurylink.com/Pages/AboutUs/Legal/Tariffs/displayTariffLandingPage.html>

ISSUE DATE:
April 16, 2015

Issued Under Transmittal No. 69
Vice President-Regulatory Operations
100 CenturyLink Drive
Monroe, Louisiana 71203

EFFECTIVE DATE:
May 1, 2015

ACCESS SERVICE

22. Reserved for Future Use (Cont'd)

(C)

(D)

(1) The CenturyLink services previously identified on this page are no longer offered under tariff. Effective March 13, 2015 the Commission granted forbearance from dominant carrier regulation of these services. http://transition.fcc.gov/Daily_Releases/Daily_Business/2015/db0316/DOC-332526A1.pdf
The rates, terms and conditions associated with these services are now available at:
<http://www.centurylink.com/Pages/AboutUs/Legal/Tariffs/displayTariffLandingPage.html>

(D)

ISSUE DATE:
April 16, 2015

Issued Under Transmittal No. 69
Vice President-Regulatory Operations
100 CenturyLink Drive
Monroe, Louisiana 71203

EFFECTIVE DATE:
May 1, 2015

ACCESS SERVICE

22. Reserved for Future Use (Cont'd)

(C)

(D)

(D)

(1) The CenturyLink services previously identified on this page are no longer offered under tariff. Effective March 13, 2015 the Commission granted forbearance from dominant carrier regulation of these services. http://transition.fcc.gov/Daily_Releases/Daily_Business/2015/db0316/DOC-332526A1.pdf
The rates, terms and conditions associated with these services are now available at:
<http://www.centurylink.com/Pages/AboutUs/Legal/Tariffs/displayTariffLandingPage.html>

ISSUE DATE:
April 16, 2015

Issued Under Transmittal No. 69
Vice President-Regulatory Operations
100 CenturyLink Drive
Monroe, Louisiana 71203

EFFECTIVE DATE:
May 1, 2015

ACCESS SERVICE

22. Reserved for Future Use (Cont'd)

(C)

(D)

(D)

(1) The CenturyLink services previously identified on this page are no longer offered under tariff. Effective March 13, 2015 the Commission granted forbearance from dominant carrier regulation of these services. http://transition.fcc.gov/Daily_Releases/Daily_Business/2015/db0316/DOC-332526A1.pdf
The rates, terms and conditions associated with these services are now available at:
<http://www.centurylink.com/Pages/AboutUs/Legal/Tariffs/displayTariffLandingPage.html>

ISSUE DATE:
April 16, 2015

Issued Under Transmittal No. 69
Vice President-Regulatory Operations
100 CenturyLink Drive
Monroe, Louisiana 71203

EFFECTIVE DATE:
May 1, 2015

ACCESS SERVICE

22. Reserved for Future Use (Cont'd)

(C)

(D)

(D)

(1) The CenturyLink services previously identified on this page are no longer offered under tariff. Effective March 13, 2015 the Commission granted forbearance from dominant carrier regulation of these services. http://transition.fcc.gov/Daily_Releases/Daily_Business/2015/db0316/DOC-332526A1.pdf
The rates, terms and conditions associated with these services are now available at:
<http://www.centurylink.com/Pages/AboutUs/Legal/Tariffs/displayTariffLandingPage.html>

ISSUE DATE:
April 16, 2015

Issued Under Transmittal No. 69
Vice President-Regulatory Operations
100 CenturyLink Drive
Monroe, Louisiana 71203

EFFECTIVE DATE:
May 1, 2015

ACCESS SERVICE

22. Reserved for Future Use (Cont'd)

(C)

(D)

(D)

(1) The CenturyLink services previously identified on this page are no longer offered under tariff. Effective March 13, 2015 the Commission granted forbearance from dominant carrier regulation of these services. http://transition.fcc.gov/Daily_Releases/Daily_Business/2015/db0316/DOC-332526A1.pdf
The rates, terms and conditions associated with these services are now available at:
<http://www.centurylink.com/Pages/AboutUs/Legal/Tariffs/displayTariffLandingPage.html>

ISSUE DATE:
April 16, 2015

Issued Under Transmittal No. 69
Vice President-Regulatory Operations
100 CenturyLink Drive
Monroe, Louisiana 71203

EFFECTIVE DATE:
May 1, 2015

ACCESS SERVICE

22. Reserved for Future Use (Cont'd)

(C)

(D)

(D)

(1) The CenturyLink services previously identified on this page are no longer offered under tariff. Effective March 13, 2015 the Commission granted forbearance from dominant carrier regulation of these services. http://transition.fcc.gov/Daily_Releases/Daily_Business/2015/db0316/DOC-332526A1.pdf
The rates, terms and conditions associated with these services are now available at:
<http://www.centurylink.com/Pages/AboutUs/Legal/Tariffs/displayTariffLandingPage.html>

ISSUE DATE:
April 16, 2015

Issued Under Transmittal No. 69
Vice President-Regulatory Operations
100 CenturyLink Drive
Monroe, Louisiana 71203

EFFECTIVE DATE:
May 1, 2015

ACCESS SERVICE

22. Reserved for Future Use (Cont'd)

(C)

(D)

(D)

(1) The CenturyLink services previously identified on this page are no longer offered under tariff. Effective March 13, 2015 the Commission granted forbearance from dominant carrier regulation of these services. http://transition.fcc.gov/Daily_Releases/Daily_Business/2015/db0316/DOC-332526A1.pdf
The rates, terms and conditions associated with these services are now available at:
<http://www.centurylink.com/Pages/AboutUs/Legal/Tariffs/displayTariffLandingPage.html>

ISSUE DATE:
April 16, 2015

Issued Under Transmittal No. 69
Vice President-Regulatory Operations
100 CenturyLink Drive
Monroe, Louisiana 71203

EFFECTIVE DATE:
May 1, 2015

ACCESS SERVICE

22. Reserved for Future Use (Cont'd)

(C)

(D)

(D)

(1) The CenturyLink services previously identified on this page are no longer offered under tariff. Effective March 13, 2015 the Commission granted forbearance from dominant carrier regulation of these services. http://transition.fcc.gov/Daily_Releases/Daily_Business/2015/db0316/DOC-332526A1.pdf
The rates, terms and conditions associated with these services are now available at:
<http://www.centurylink.com/Pages/AboutUs/Legal/Tariffs/displayTariffLandingPage.html>

ISSUE DATE:
April 16, 2015

Issued Under Transmittal No. 69
Vice President-Regulatory Operations
100 CenturyLink Drive
Monroe, Louisiana 71203

EFFECTIVE DATE:
May 1, 2015

ACCESS SERVICE

22. Reserved for Future Use (Cont'd)

(C)

(D)

(1) The CenturyLink services previously identified on this page are no longer offered under tariff. Effective March 13, 2015 the Commission granted forbearance from dominant carrier regulation of these services. http://transition.fcc.gov/Daily_Releases/Daily_Business/2015/db0316/DOC-332526A1.pdf
The rates, terms and conditions associated with these services are now available at:
<http://www.centurylink.com/Pages/AboutUs/Legal/Tariffs/displayTariffLandingPage.html>

(D)

ISSUE DATE:
April 16, 2015

Issued Under Transmittal No. 69
Vice President-Regulatory Operations
100 CenturyLink Drive
Monroe, Louisiana 71203

EFFECTIVE DATE:
May 1, 2015

ACCESS SERVICE

22. Reserved for Future Use (Cont'd)

(C)

(D)

(D)

(1) The CenturyLink services previously identified on this page are no longer offered under tariff. Effective March 13, 2015 the Commission granted forbearance from dominant carrier regulation of these services. http://transition.fcc.gov/Daily_Releases/Daily_Business/2015/db0316/DOC-332526A1.pdf
The rates, terms and conditions associated with these services are now available at:
<http://www.centurylink.com/Pages/AboutUs/Legal/Tariffs/displayTariffLandingPage.html>

ISSUE DATE:
April 16, 2015

Issued Under Transmittal No. 69
Vice President-Regulatory Operations
100 CenturyLink Drive
Monroe, Louisiana 71203

EFFECTIVE DATE:
May 1, 2015

ACCESS SERVICE

22. Reserved for Future Use (Cont'd)

(C)

(D)

(D)

(1) The CenturyLink services previously identified on this page are no longer offered under tariff. Effective March 13, 2015 the Commission granted forbearance from dominant carrier regulation of these services. http://transition.fcc.gov/Daily_Releases/Daily_Business/2015/db0316/DOC-332526A1.pdf
The rates, terms and conditions associated with these services are now available at:
<http://www.centurylink.com/Pages/AboutUs/Legal/Tariffs/displayTariffLandingPage.html>

ISSUE DATE:
April 16, 2015

Issued Under Transmittal No. 69
Vice President-Regulatory Operations
100 CenturyLink Drive
Monroe, Louisiana 71203

EFFECTIVE DATE:
May 1, 2015

ACCESS SERVICE

22. Reserved for Future Use (Cont'd)

(C)

(D)

(D)

(1) The CenturyLink services previously identified on this page are no longer offered under tariff. Effective March 13, 2015 the Commission granted forbearance from dominant carrier regulation of these services. http://transition.fcc.gov/Daily_Releases/Daily_Business/2015/db0316/DOC-332526A1.pdf
The rates, terms and conditions associated with these services are now available at:
<http://www.centurylink.com/Pages/AboutUs/Legal/Tariffs/displayTariffLandingPage.html>

ISSUE DATE:
April 16, 2015

Issued Under Transmittal No. 69
Vice President-Regulatory Operations
100 CenturyLink Drive
Monroe, Louisiana 71203

EFFECTIVE DATE:
May 1, 2015

ACCESS SERVICE

22. Reserved for Future Use (Cont'd)

(C)

(D)

(D)

(1) The CenturyLink services previously identified on this page are no longer offered under tariff. Effective March 13, 2015 the Commission granted forbearance from dominant carrier regulation of these services. http://transition.fcc.gov/Daily_Releases/Daily_Business/2015/db0316/DOC-332526A1.pdf
The rates, terms and conditions associated with these services are now available at:
<http://www.centurylink.com/Pages/AboutUs/Legal/Tariffs/displayTariffLandingPage.html>

ISSUE DATE:
April 16, 2015

Issued Under Transmittal No. 69
Vice President-Regulatory Operations
100 CenturyLink Drive
Monroe, Louisiana 71203

EFFECTIVE DATE:
May 1, 2015

ACCESS SERVICE

22. Reserved for Future Use (Cont'd)

(C)

(D)

(D)

(1) The CenturyLink services previously identified on this page are no longer offered under tariff. Effective March 13, 2015 the Commission granted forbearance from dominant carrier regulation of these services. http://transition.fcc.gov/Daily_Releases/Daily_Business/2015/db0316/DOC-332526A1.pdf
The rates, terms and conditions associated with these services are now available at:
<http://www.centurylink.com/Pages/AboutUs/Legal/Tariffs/displayTariffLandingPage.html>

ISSUE DATE:
April 16, 2015

Issued Under Transmittal No. 69
Vice President-Regulatory Operations
100 CenturyLink Drive
Monroe, Louisiana 71203

EFFECTIVE DATE:
May 1, 2015

ACCESS SERVICE

22. Reserved for Future Use (Cont'd)

(C)

(D)

(D)

(1) The CenturyLink services previously identified on this page are no longer offered under tariff. Effective March 13, 2015 the Commission granted forbearance from dominant carrier regulation of these services. http://transition.fcc.gov/Daily_Releases/Daily_Business/2015/db0316/DOC-332526A1.pdf
The rates, terms and conditions associated with these services are now available at:
<http://www.centurylink.com/Pages/AboutUs/Legal/Tariffs/displayTariffLandingPage.html>

ISSUE DATE:
April 16, 2015

Issued Under Transmittal No. 69
Vice President-Regulatory Operations
100 CenturyLink Drive
Monroe, Louisiana 71203

EFFECTIVE DATE:
May 1, 2015

ACCESS SERVICE

22. Reserved for Future Use (Cont'd)

(C)

(D)

(D)

(1) The CenturyLink services previously identified on this page are no longer offered under tariff. Effective March 13, 2015 the Commission granted forbearance from dominant carrier regulation of these services. http://transition.fcc.gov/Daily_Releases/Daily_Business/2015/db0316/DOC-332526A1.pdf
The rates, terms and conditions associated with these services are now available at:
<http://www.centurylink.com/Pages/AboutUs/Legal/Tariffs/displayTariffLandingPage.html>

ISSUE DATE:
April 16, 2015

Issued Under Transmittal No. 69
Vice President-Regulatory Operations
100 CenturyLink Drive
Monroe, Louisiana 71203

EFFECTIVE DATE:
May 1, 2015

ACCESS SERVICE

22. Reserved for Future Use (Cont'd)

(C)

(D)

(D)

(1) The CenturyLink services previously identified on this page are no longer offered under tariff. Effective March 13, 2015 the Commission granted forbearance from dominant carrier regulation of these services. http://transition.fcc.gov/Daily_Releases/Daily_Business/2015/db0316/DOC-332526A1.pdf
The rates, terms and conditions associated with these services are now available at:
<http://www.centurylink.com/Pages/AboutUs/Legal/Tariffs/displayTariffLandingPage.html>

ISSUE DATE:
April 16, 2015

Issued Under Transmittal No. 69
Vice President-Regulatory Operations
100 CenturyLink Drive
Monroe, Louisiana 71203

EFFECTIVE DATE:
May 1, 2015

ACCESS SERVICE

22. Reserved for Future Use (Cont'd)

(C)

(D)

(D)

(1) The CenturyLink services previously identified on this page are no longer offered under tariff. Effective March 13, 2015 the Commission granted forbearance from dominant carrier regulation of these services. http://transition.fcc.gov/Daily_Releases/Daily_Business/2015/db0316/DOC-332526A1.pdf
The rates, terms and conditions associated with these services are now available at:
<http://www.centurylink.com/Pages/AboutUs/Legal/Tariffs/displayTariffLandingPage.html>

ISSUE DATE:
April 16, 2015

Issued Under Transmittal No. 69
Vice President-Regulatory Operations
100 CenturyLink Drive
Monroe, Louisiana 71203

EFFECTIVE DATE:
May 1, 2015

ACCESS SERVICE

22. Reserved for Future Use (Cont'd)

(C)

(D)

(D)

(1) The CenturyLink services previously identified on this page are no longer offered under tariff. Effective March 13, 2015 the Commission granted forbearance from dominant carrier regulation of these services. http://transition.fcc.gov/Daily_Releases/Daily_Business/2015/db0316/DOC-332526A1.pdf
The rates, terms and conditions associated with these services are now available at:
<http://www.centurylink.com/Pages/AboutUs/Legal/Tariffs/displayTariffLandingPage.html>

ISSUE DATE:
April 16, 2015

Issued Under Transmittal No. 69
Vice President-Regulatory Operations
100 CenturyLink Drive
Monroe, Louisiana 71203

EFFECTIVE DATE:
May 1, 2015

ACCESS SERVICE

22. Reserved for Future Use (Cont'd)

(C)

(D)

(D)

(1) The CenturyLink services previously identified on this page are no longer offered under tariff. Effective March 13, 2015 the Commission granted forbearance from dominant carrier regulation of these services. http://transition.fcc.gov/Daily_Releases/Daily_Business/2015/db0316/DOC-332526A1.pdf
The rates, terms and conditions associated with these services are now available at:
<http://www.centurylink.com/Pages/AboutUs/Legal/Tariffs/displayTariffLandingPage.html>

ISSUE DATE:
April 16, 2015

Issued Under Transmittal No. 69
Vice President-Regulatory Operations
100 CenturyLink Drive
Monroe, Louisiana 71203

EFFECTIVE DATE:
May 1, 2015

ACCESS SERVICE

22. Reserved for Future Use (Cont'd)

(C)

(D)

(D)

(1) The CenturyLink services previously identified on this page are no longer offered under tariff. Effective March 13, 2015 the Commission granted forbearance from dominant carrier regulation of these services. http://transition.fcc.gov/Daily_Releases/Daily_Business/2015/db0316/DOC-332526A1.pdf
The rates, terms and conditions associated with these services are now available at:
<http://www.centurylink.com/Pages/AboutUs/Legal/Tariffs/displayTariffLandingPage.html>

ISSUE DATE:
April 16, 2015

Issued Under Transmittal No. 69
Vice President-Regulatory Operations
100 CenturyLink Drive
Monroe, Louisiana 71203

EFFECTIVE DATE:
May 1, 2015

ACCESS SERVICE

22. Reserved for Future Use (Cont'd)

(C)

(D)

(D)

(1) The CenturyLink services previously identified on this page are no longer offered under tariff. Effective March 13, 2015 the Commission granted forbearance from dominant carrier regulation of these services. http://transition.fcc.gov/Daily_Releases/Daily_Business/2015/db0316/DOC-332526A1.pdf
The rates, terms and conditions associated with these services are now available at:
<http://www.centurylink.com/Pages/AboutUs/Legal/Tariffs/displayTariffLandingPage.html>

ISSUE DATE:
April 16, 2015

Issued Under Transmittal No. 69
Vice President-Regulatory Operations
100 CenturyLink Drive
Monroe, Louisiana 71203

EFFECTIVE DATE:
May 1, 2015

ACCESS SERVICE

22. Reserved for Future Use (Cont'd)

(C)

(D)

(D)

(1) The CenturyLink services previously identified on this page are no longer offered under tariff. Effective March 13, 2015 the Commission granted forbearance from dominant carrier regulation of these services. http://transition.fcc.gov/Daily_Releases/Daily_Business/2015/db0316/DOC-332526A1.pdf
The rates, terms and conditions associated with these services are now available at:
<http://www.centurylink.com/Pages/AboutUs/Legal/Tariffs/displayTariffLandingPage.html>

ISSUE DATE:
April 16, 2015

Issued Under Transmittal No. 69
Vice President-Regulatory Operations
100 CenturyLink Drive
Monroe, Louisiana 71203

EFFECTIVE DATE:
May 1, 2015

ACCESS SERVICE

22. Reserved for Future Use (Cont'd)

(C)

(D)

(D)

(1) The CenturyLink services previously identified on this page are no longer offered under tariff. Effective March 13, 2015 the Commission granted forbearance from dominant carrier regulation of these services. http://transition.fcc.gov/Daily_Releases/Daily_Business/2015/db0316/DOC-332526A1.pdf
The rates, terms and conditions associated with these services are now available at:
<http://www.centurylink.com/Pages/AboutUs/Legal/Tariffs/displayTariffLandingPage.html>

ISSUE DATE:
April 16, 2015

Issued Under Transmittal No. 69
Vice President-Regulatory Operations
100 CenturyLink Drive
Monroe, Louisiana 71203

EFFECTIVE DATE:
May 1, 2015

ACCESS SERVICE

22. Reserved for Future Use (Cont'd)

(C)

(D)

(D)

(1) The CenturyLink services previously identified on this page are no longer offered under tariff. Effective March 13, 2015 the Commission granted forbearance from dominant carrier regulation of these services. http://transition.fcc.gov/Daily_Releases/Daily_Business/2015/db0316/DOC-332526A1.pdf
The rates, terms and conditions associated with these services are now available at:
<http://www.centurylink.com/Pages/AboutUs/Legal/Tariffs/displayTariffLandingPage.html>

ISSUE DATE:
April 16, 2015

Issued Under Transmittal No. 69
Vice President-Regulatory Operations
100 CenturyLink Drive
Monroe, Louisiana 71203

EFFECTIVE DATE:
May 1, 2015

ACCESS SERVICE

22. Reserved for Future Use (Cont'd)

(C)

(D)

(D)

(1) The CenturyLink services previously identified on this page are no longer offered under tariff. Effective March 13, 2015 the Commission granted forbearance from dominant carrier regulation of these services. http://transition.fcc.gov/Daily_Releases/Daily_Business/2015/db0316/DOC-332526A1.pdf
The rates, terms and conditions associated with these services are now available at:
<http://www.centurylink.com/Pages/AboutUs/Legal/Tariffs/displayTariffLandingPage.html>

ISSUE DATE:
April 16, 2015

Issued Under Transmittal No. 69
Vice President-Regulatory Operations
100 CenturyLink Drive
Monroe, Louisiana 71203

EFFECTIVE DATE:
May 1, 2015

ACCESS SERVICE

22. Reserved for Future Use (Cont'd)

(C)

(D)

(D)

(1) The CenturyLink services previously identified on this page are no longer offered under tariff. Effective March 13, 2015 the Commission granted forbearance from dominant carrier regulation of these services. http://transition.fcc.gov/Daily_Releases/Daily_Business/2015/db0316/DOC-332526A1.pdf
The rates, terms and conditions associated with these services are now available at:
<http://www.centurylink.com/Pages/AboutUs/Legal/Tariffs/displayTariffLandingPage.html>

ISSUE DATE:
April 16, 2015

Issued Under Transmittal No. 69
Vice President-Regulatory Operations
100 CenturyLink Drive
Monroe, Louisiana 71203

EFFECTIVE DATE:
May 1, 2015

ACCESS SERVICE

22. Reserved for Future Use (Cont'd)

(C)

(D)

(D)

(1) The CenturyLink services previously identified on this page are no longer offered under tariff. Effective March 13, 2015 the Commission granted forbearance from dominant carrier regulation of these services. http://transition.fcc.gov/Daily_Releases/Daily_Business/2015/db0316/DOC-332526A1.pdf
The rates, terms and conditions associated with these services are now available at:
<http://www.centurylink.com/Pages/AboutUs/Legal/Tariffs/displayTariffLandingPage.html>

ISSUE DATE:
April 16, 2015

Issued Under Transmittal No. 69
Vice President-Regulatory Operations
100 CenturyLink Drive
Monroe, Louisiana 71203

EFFECTIVE DATE:
May 1, 2015

ACCESS SERVICE

22. Reserved for Future Use (Cont'd)

(C)

(D)

(D)

(1) The CenturyLink services previously identified on this page are no longer offered under tariff. Effective March 13, 2015 the Commission granted forbearance from dominant carrier regulation of these services. http://transition.fcc.gov/Daily_Releases/Daily_Business/2015/db0316/DOC-332526A1.pdf
The rates, terms and conditions associated with these services are now available at:
<http://www.centurylink.com/Pages/AboutUs/Legal/Tariffs/displayTariffLandingPage.html>

ISSUE DATE:
April 16, 2015

Issued Under Transmittal No. 69
Vice President-Regulatory Operations
100 CenturyLink Drive
Monroe, Louisiana 71203

EFFECTIVE DATE:
May 1, 2015

ACCESS SERVICE

22. Reserved for Future Use (Cont'd)

(C)

(D)

(D)

(1) The CenturyLink services previously identified on this page are no longer offered under tariff. Effective March 13, 2015 the Commission granted forbearance from dominant carrier regulation of these services. http://transition.fcc.gov/Daily_Releases/Daily_Business/2015/db0316/DOC-332526A1.pdf
The rates, terms and conditions associated with these services are now available at:
<http://www.centurylink.com/Pages/AboutUs/Legal/Tariffs/displayTariffLandingPage.html>

ISSUE DATE:
April 16, 2015

Issued Under Transmittal No. 69
Vice President-Regulatory Operations
100 CenturyLink Drive
Monroe, Louisiana 71203

EFFECTIVE DATE:
May 1, 2015

ACCESS SERVICE

22. Reserved for Future Use (Cont'd)

(C)

(D)

(D)

(1) The CenturyLink services previously identified on this page are no longer offered under tariff. Effective March 13, 2015 the Commission granted forbearance from dominant carrier regulation of these services. http://transition.fcc.gov/Daily_Releases/Daily_Business/2015/db0316/DOC-332526A1.pdf
The rates, terms and conditions associated with these services are now available at:
<http://www.centurylink.com/Pages/AboutUs/Legal/Tariffs/displayTariffLandingPage.html>

ISSUE DATE:
April 16, 2015

Issued Under Transmittal No. 69
Vice President-Regulatory Operations
100 CenturyLink Drive
Monroe, Louisiana 71203

EFFECTIVE DATE:
May 1, 2015

ACCESS SERVICE

22. Reserved for Future Use (Cont'd)

(C)

(D)

(D)

(1) The CenturyLink services previously identified on this page are no longer offered under tariff. Effective March 13, 2015 the Commission granted forbearance from dominant carrier regulation of these services. http://transition.fcc.gov/Daily_Releases/Daily_Business/2015/db0316/DOC-332526A1.pdf
The rates, terms and conditions associated with these services are now available at:
<http://www.centurylink.com/Pages/AboutUs/Legal/Tariffs/displayTariffLandingPage.html>

ISSUE DATE:
April 16, 2015

Issued Under Transmittal No. 69
Vice President-Regulatory Operations
100 CenturyLink Drive
Monroe, Louisiana 71203

EFFECTIVE DATE:
May 1, 2015

ACCESS SERVICE

22. Reserved for Future Use (Cont'd)

(C)

(D)

(D)

(1) The CenturyLink services previously identified on this page are no longer offered under tariff. Effective March 13, 2015 the Commission granted forbearance from dominant carrier regulation of these services. http://transition.fcc.gov/Daily_Releases/Daily_Business/2015/db0316/DOC-332526A1.pdf
The rates, terms and conditions associated with these services are now available at:
<http://www.centurylink.com/Pages/AboutUs/Legal/Tariffs/displayTariffLandingPage.html>

ISSUE DATE:
April 16, 2015

Issued Under Transmittal No. 69
Vice President-Regulatory Operations
100 CenturyLink Drive
Monroe, Louisiana 71203

EFFECTIVE DATE:
May 1, 2015

ACCESS SERVICE

22. Reserved for Future Use (Cont'd)

(C)

(D)

(D)

(1) The CenturyLink services previously identified on this page are no longer offered under tariff. Effective March 13, 2015 the Commission granted forbearance from dominant carrier regulation of these services. http://transition.fcc.gov/Daily_Releases/Daily_Business/2015/db0316/DOC-332526A1.pdf
The rates, terms and conditions associated with these services are now available at:
<http://www.centurylink.com/Pages/AboutUs/Legal/Tariffs/displayTariffLandingPage.html>

ISSUE DATE:
April 16, 2015

Issued Under Transmittal No. 69
Vice President-Regulatory Operations
100 CenturyLink Drive
Monroe, Louisiana 71203

EFFECTIVE DATE:
May 1, 2015

ACCESS SERVICE

22. Reserved for Future Use (Cont'd)

(C)

(D)

(D)

(1) The CenturyLink services previously identified on this page are no longer offered under tariff. Effective March 13, 2015 the Commission granted forbearance from dominant carrier regulation of these services. http://transition.fcc.gov/Daily_Releases/Daily_Business/2015/db0316/DOC-332526A1.pdf
The rates, terms and conditions associated with these services are now available at:
<http://www.centurylink.com/Pages/AboutUs/Legal/Tariffs/displayTariffLandingPage.html>

ISSUE DATE:
April 16, 2015

Issued Under Transmittal No. 69
Vice President-Regulatory Operations
100 CenturyLink Drive
Monroe, Louisiana 71203

EFFECTIVE DATE:
May 1, 2015

ACCESS SERVICE

22. Reserved for Future Use (Cont'd)

(C)

(D)

(D)

(1) The CenturyLink services previously identified on this page are no longer offered under tariff. Effective March 13, 2015 the Commission granted forbearance from dominant carrier regulation of these services. http://transition.fcc.gov/Daily_Releases/Daily_Business/2015/db0316/DOC-332526A1.pdf
The rates, terms and conditions associated with these services are now available at:
<http://www.centurylink.com/Pages/AboutUs/Legal/Tariffs/displayTariffLandingPage.html>

ISSUE DATE:
April 16, 2015

Issued Under Transmittal No. 69
Vice President-Regulatory Operations
100 CenturyLink Drive
Monroe, Louisiana 71203

EFFECTIVE DATE:
May 1, 2015

ACCESS SERVICE

22. Reserved for Future Use (Cont'd)

(C)

(D)

(D)

(1) The CenturyLink services previously identified on this page are no longer offered under tariff. Effective March 13, 2015 the Commission granted forbearance from dominant carrier regulation of these services. http://transition.fcc.gov/Daily_Releases/Daily_Business/2015/db0316/DOC-332526A1.pdf
The rates, terms and conditions associated with these services are now available at:
<http://www.centurylink.com/Pages/AboutUs/Legal/Tariffs/displayTariffLandingPage.html>

ISSUE DATE:
April 16, 2015

Issued Under Transmittal No. 69
Vice President-Regulatory Operations
100 CenturyLink Drive
Monroe, Louisiana 71203

EFFECTIVE DATE:
May 1, 2015

ACCESS SERVICE

23. Pricing Flexibility Ordering Options, Additional Labor and Miscellaneous Services

23.1 General Regulations

- (A) This section of the tariff provides the regulations, rates and charges applicable to ordering options, additional labor and miscellaneous services provided by the Telephone Company in the Metropolitan Statistical Areas (MSAs) for which the Telephone Company has received Phase II pricing flexibility pursuant to Subpart H of Part 69 of the Commission's rules. The specific MSAs for which pricing flexibility has been granted are listed in Section 23.3 following.
- (B) The general regulations set forth in Section 5 for Ordering Options and in Section 13 for Additional Labor and Miscellaneous Services preceding are applicable to the pricing flexibility services specified in Sections 21 preceding. Where the regulations in Sections 5 and 13 conflict with those set forth in this section, the regulations specified herein for the provision of switched and special access services in the Telephone Company's pricing flexibility MSAs will supercede any inconsistencies.
- (C) Unless otherwise provided in this section, the regulations set forth in Sections 1 and 2 are applicable to ordering options, additional labor and miscellaneous services provided in the Telephone Company's pricing flexibility MSAs.

(C)

ISSUE DATE:
October 17, 2017

Issued Under Transmittal No. 96
Vice President-Regulatory Operations
100 CenturyLink Drive
Monroe, Louisiana 71203

EFFECTIVE DATE:
November 1, 2017

ACCESS SERVICE

23. Pricing Flexibility Ordering Options, Additional Labor and Miscellaneous Services (Cont'd)

23.2 Application of Rates and Charges

The rates and charges for ordering options, additional labor and miscellaneous services provided in pricing flexibility MSAs are set forth in 23.4 following. Rates and charges for the non-flexibility MSAs are set forth in Sections 5 and 13 preceding.

ISSUE DATE:
February 28, 2011

Issued Under Transmittal No. 1
Vice President-Regulatory Operations
100 CenturyLink Drive
Monroe, Louisiana 71203

EFFECTIVE DATE:
March 1, 2011

ACCESS SERVICE

23. Pricing Flexibility Ordering Options, Additional Labor and Miscellaneous Services (Cont'd)23.3 Metropolitan Statistical Areas (MSAs)**FLORIDA – Orlando MSA**

<u>Zone 1</u>		<u>Zone 2</u>		<u>Zone 3</u>	
<u>End Office</u>	<u>CLLI</u>	<u>End Office</u>	<u>CLLI</u>	<u>End Office</u>	<u>CLLI</u>
Winter Park	ALSPFLXA	Apopka	APPKFLXA	Astor	ASTRFLXA
Kissimmee	KSSMFLXA	Winter Park	GLRDFLXA	Clermont	CLMTFLXA
Winter Park	MTLDFLXA	West Kissimmee	KSSMFLXB	Winter Park	CSLBFLXA
Winter Park	WNPKFLXA	Lake Brantly	LKBRFLXA	Eustis	ESTSFLXA
		Leesburg	LSBGFLXA	Groveland	GVLDFLXA
		Winter Garden	WNGRFLXA	Howey-in-the-Hills	HOWYFLXA
				Kenansville	KNVLFLXA
				Kissimmee	KSSMFLXD
				Lady Lake	LDLKFLXA
				Mount Dora	MTDRFLXA
				Montverde	MTVRFLXA
				St. Cloud	STCDFLXA
				Tavares	TVRSFLXA
				Umatilla	UMTLFLXA
				Windermere	WNDRFLXA
				Winter Park	WNPKFLXE

ISSUE DATE:
February 28, 2011

Issued Under Transmittal No. 1
Vice President-Regulatory Operations
100 CenturyLink Drive
Monroe, Louisiana 71203

EFFECTIVE DATE:
March 1, 2011

ACCESS SERVICE

23. Pricing Flexibility Ordering Options, Additional Labor and Miscellaneous Services (Cont'd)23.3 Metropolitan Statistical Areas (MSAs) (Cont'd)

<u>FLORIDA – Tallahassee MSA</u>					
<u>Zone 1</u>		<u>Zone 2</u>		<u>Zone 3</u>	
<u>End Office</u>	<u>CLLI</u>	<u>End Office</u>	<u>CLLI</u>	<u>End Office</u>	<u>CLLI</u>
None	None	Tallahassee	TLHSFLXA	Tallahassee	TLHSFLXE
		Tallahassee	TLHSFLXB	Tallahassee	TLHSFLXG
		Tallahassee	TLHSFLXC	Tallahassee	TLHSFLXH
		Tallahassee	TLHSFLXD		
		Tallahassee	TLHSFLXF		

ISSUE DATE:
February 28, 2011

Issued Under Transmittal No. 1
Vice President-Regulatory Operations
100 CenturyLink Drive
Monroe, Louisiana 71203

EFFECTIVE DATE:
March 1, 2011

ACCESS SERVICE

23. Pricing Flexibility Ordering Options, Additional Labor and Miscellaneous Services (Cont'd)23.3 Metropolitan Statistical Areas (MSAs) (Cont'd)

<u>NEVADA – Las Vegas MSA</u>					
<u>Zone 1</u>		<u>Zone 2</u>		<u>Zone 3</u>	
<u>End Office</u>	<u>CLLI</u>	<u>End Office</u>	<u>CLLI</u>	<u>End Office</u>	<u>CLLI</u>
Las Vegas	LSVGNVXB	Las Vegas	LSVGNVXH	Blue Diamond	BDMDNVXS
Las Vegas	LSVGNVXG	Las Vegas	LSVGNVXI	Boulder City	BLCYNVXF
Las Vegas	LSVGNVXK	Las Vegas	LSVGNVXR	Henderson	HNSNNVXF
Las Vegas	LSVGNVXL	Las Vegas	LSVGNVXU	Jean	JEANNVXF
Las Vegas	LSVGNVXM	Las Vegas	NLVGNVXF	Laughlin	LGLNNVXF
Las Vegas	LSVGNVXV			Las Vegas	LSVGNVXT
Las Vegas	LSVGNVXW			Las Vegas	NLVGNVXG
				Mt. Charleston	MTCHNVXF
				Nelson	NLSNNVXB
				Searchlight	SRCHNVXF

ISSUE DATE:
February 28, 2011

Issued Under Transmittal No. 1
Vice President-Regulatory Operations
100 CenturyLink Drive
Monroe, Louisiana 71203

EFFECTIVE DATE:
March 1, 2011

ACCESS SERVICE

23. Pricing Flexibility Ordering Options, Additional Labor and Miscellaneous Services (Cont'd)

23.3 Metropolitan Statistical Areas (MSAs) (Cont'd)

This page is reserved for future use.

(N)

(D)

(D)

**Material deleted from this page now appears in Brightspeed Local Operating Companies
Tariff F.C.C. NO. 9.**

(N)

(N)

ISSUE DATE:
September 19, 2022

Issued Under Transmittal No. 125
Vice President-Regulatory Operations
100 CenturyLink Drive
Monroe, Louisiana 71203

EFFECTIVE DATE:
October 4, 2022

ACCESS SERVICE

23. Pricing Flexibility Ordering Options, Additional Labor and Miscellaneous Services (Cont'd)

23.3 Metropolitan Statistical Areas (MSAs) (Cont'd)

This page is reserved for future use.

(N)

(D)

(D)

**Material deleted from this page now appears in Brightspeed Local Operating Companies
Tariff F.C.C. NO. 9.**

(N)

(N)

ISSUE DATE:
September 19, 2022

Issued Under Transmittal No. 125
Vice President-Regulatory Operations
100 CenturyLink Drive
Monroe, Louisiana 71203

EFFECTIVE DATE:
October 4, 2022

ACCESS SERVICE

23. Pricing Flexibility Ordering Options, Additional Labor and Miscellaneous Services (Cont'd)

23.3 Metropolitan Statistical Areas (MSAs) (Cont'd)

This page is reserved for future use.

(N)

(D)

(D)

**Material deleted from this page now appears in Brightspeed Local Operating Companies
Tariff F.C.C. NO. 9.**

(N)

(N)

ISSUE DATE:
September 19, 2022

Issued Under Transmittal No. 125
Vice President-Regulatory Operations
100 CenturyLink Drive
Monroe, Louisiana 71203

EFFECTIVE DATE:
October 4, 2022

ACCESS SERVICE

23. Pricing Flexibility Ordering Options, Additional Labor and Miscellaneous Services (Cont'd)

23.3 Metropolitan Statistical Areas (MSAs) (Cont'd)

This page is reserved for future use.

(N)

(D)

(D)

**Material deleted from this page now appears in Brightspeed Local Operating Companies
Tariff F.C.C. NO. 9.**

(N)

(N)

ISSUE DATE:
September 19, 2022

Issued Under Transmittal No. 125
Vice President-Regulatory Operations
100 CenturyLink Drive
Monroe, Louisiana 71203

EFFECTIVE DATE:
October 4, 2022

ACCESS SERVICE

23. Pricing Flexibility Ordering Options, Additional Labor and Miscellaneous Services (Cont'd)

23.3 Metropolitan Statistical Areas (MSAs) (Cont'd)

This page is reserved for future use.

(N)

(D)

(D)

**Material deleted from this page now appears in Brightspeed Local Operating Companies
Tariff F.C.C. NO. 9.**

(N)

(N)

ISSUE DATE:
September 19, 2022

Issued Under Transmittal No. 125
Vice President-Regulatory Operations
100 CenturyLink Drive
Monroe, Louisiana 71203

EFFECTIVE DATE:
October 4, 2022

ACCESS SERVICE

23. Pricing Flexibility Ordering Options, Additional Labor and Miscellaneous Services (Cont'd)

23.3 Metropolitan Statistical Areas (MSAs) (Cont'd)

This page is reserved for future use.

(N)
(D)
|
(D)

**Material deleted from this page now appears in Brightspeed Local Operating Companies
Tariff F.C.C. NO. 9.**

(N)
(N)

ISSUE DATE:
September 19, 2022

Issued Under Transmittal No. 125
Vice President-Regulatory Operations
100 CenturyLink Drive
Monroe, Louisiana 71203

EFFECTIVE DATE:
October 4, 2022

ACCESS SERVICE

23. Pricing Flexibility Ordering Options, Additional Labor and Miscellaneous Services (Cont'd)

23.3 Metropolitan Statistical Areas (MSAs) (Cont'd)

This page is reserved for future use.

(N)

(D)

(D)

**Material deleted from this page now appears in Brightspeed Local Operating Companies
Tariff F.C.C. NO. 9.**

(N)

(N)

ISSUE DATE:
September 19, 2022

Issued Under Transmittal No. 125
Vice President-Regulatory Operations
100 CenturyLink Drive
Monroe, Louisiana 71203

EFFECTIVE DATE:
October 4, 2022

ACCESS SERVICE

23. Pricing Flexibility Ordering Options, Additional Labor and Miscellaneous Services (Cont'd)

23.4 Rates and Charges (Cont'd)

23.4.1 Access Order Charge

Access Order Charge

- Per order

	Switched Access <u>Charge</u> *	Special Access <u>Charge</u>	
Florida			
Orlando MSA	\$40.00 (R)	\$80.00	(D)
Tallahassee MSA	\$40.00 (R)	\$80.00	(D)
Minnesota	N/A	N/A	(D)
Nebraska	N/A	N/A	
Nevada	\$40.00 (R)	\$80.00	(D)
Oregon	N/A	N/A	(D)
Washington	N/A	N/A	(D)
Wyoming	N/A	N/A	(D)

* This flat rated charge was calculated based upon a 50/50 split between originating and terminating. The FCC in their FCC 11-161 ICC Transformation order in Section 51.907(D)(1) allowed Price Cap Carriers to use an equal split to divide the charge between originating and terminating elements. When the terminating portion of the rate is reduced and then combined with the originating portion of the rate, a single flat rate is generated for billing purposes.

Material deleted from this page now appears in Brightspeed Local Operating Companies Tariff F.C.C. NO. 9.

ISSUE DATE:
September 19, 2022

Issued Under Transmittal No. 125
 Vice President-Regulatory Operations
 100 CenturyLink Drive
 Monroe, Louisiana 71203

EFFECTIVE DATE:
October 4, 2022

(N)
(N)

ACCESS SERVICE

23. Pricing Flexibility Ordering Options, Additional Labor and Miscellaneous Services (Cont'd)

23.4 Rates and Charges (Cont'd)

23.4.2 Design Change Charge

Design Change Charge

- Per order

	Switched Access <u>Charge</u> *	Special Access <u>Charge</u>	
Florida			
Orlando MSA	\$15.25	\$30.50	(D)
Tallahassee MSA	\$15.25	\$30.50	(D)
Minnesota	N/A	N/A	(D)
Nebraska	N/A	N/A	
Nevada	\$0.00	\$0.00	(D)
			—
Oregon	N/A	N/A	(D)
			(D)
			—
Washington	N/A	N/A	(D)
Wyoming	N/A	N/A	(D)

* This flat rated charge was calculated based upon a 50/50 split between originating and terminating. The FCC in their FCC 11-161 ICC Transformation order in Section 51.907(D)(1) allowed Price Cap Carriers to use an equal split to divide the charge between originating and terminating elements. When the terminating portion of the rate is reduced and then combined with the originating portion of the rate, a single flat rate is generated for billing purposes.

Material deleted from this page now appears in Brightspeed Local Operating Companies Tariff F.C.C. NO. 9. (N)
 (N)

ISSUE DATE:
 September 19, 2022

Issued Under Transmittal No. 125
 Vice President-Regulatory Operations
 100 CenturyLink Drive
 Monroe, Louisiana 71203

EFFECTIVE DATE:
 October 4, 2022

ACCESS SERVICE

23. Pricing Flexibility Ordering Options, Additional Labor and Miscellaneous Services (Cont'd)

23.4 Rates and Charges (Cont'd)

23.4.3 Expedited Order Charge

- Per Access Order, Per Business Day Improved

	<u>Charge</u>	
Florida		
Orlando MSA	\$397.00	(D)
Tallahassee MSA	\$397.00	(D)
Minnesota	N/A	(D)
Nebraska	N/A	
Nevada	\$450.00	(D)
		—
		(D)
Oregon	N/A	(D)
		—
		(D)
Washington	N/A	
Wyoming	N/A	

Material deleted from this page now appears in Brightspeed Local Operating Companies Tariff F.C.C. NO. 9.

(D)
(N)
(N)

ISSUE DATE:
September 19, 2022

Issued Under Transmittal No. 125
 Vice President-Regulatory Operations
 100 CenturyLink Drive
 Monroe, Louisiana 71203

EFFECTIVE DATE:
October 4, 2022

ACCESS SERVICE

23. Pricing Flexibility Ordering Options, Additional Labor and Miscellaneous Services (Cont'd)

23.4 Rates and Charges (Cont'd)

23.4.5 Miscellaneous Services

(A) Additional Testing

- (1) Additional Automatic Testing
 (1004 Hz loss, C-Message Noise, Balance, Gain Slope and C-Notched Noise)

The Additional Automatic Tests, as set forth following, may be ordered by the customer, at additional charges, 60 days prior to the start of the customer's prescribed schedule.

	Per Test, <u>Per Transmission Path</u>	
Florida		
Orlando MSA	\$1.30	
Tallahassee MSA	\$1.30	(D)
		(D)
Minnesota	N/A	(D)
Nebraska	N/A	
Nevada	\$4.50	(D)
		(D)
		(D)
Oregon	N/A	(D)
		(D)
Washington	N/A	(D)
Wyoming	N/A	(D)
		(N)
		(N)

Material deleted from this page now appears in Brightspeed Local Operating Companies Tariff F.C.C. NO. 9.

ISSUE DATE:
 September 19, 2022

Issued Under Transmittal No. 125
 Vice President-Regulatory Operations
 100 CenturyLink Drive
 Monroe, Louisiana 71203

EFFECTIVE DATE:
 October 4, 2022

ACCESS SERVICE

23. Pricing Flexibility Ordering Options, Additional Labor and Miscellaneous Services (Cont'd)

23.4 Rates and Charges (Cont'd)

23.4.5 Miscellaneous Services (Cont'd)

(A) Additional Testing (Cont'd)

- (2) Additional Cooperative Testing
 (1004 Hz loss, C-Message Noise, Balance, Gain Slope and C-Notched Noise)

The Additional Cooperative Tests, as set forth following, may be ordered by the customer, at additional charges, 60 days prior to the start of the testing schedule as mutually agreed to by the customer and the Telephone Company.

	<u>Per Test, Per Transmission Path</u>	
Florida		
Orlando MSA	\$3.90	(D)
Tallahassee MSA	\$3.90	(D)
Minnesota	N/A	(D)
Nebraska	N/A	(D)
Nevada	\$7.50	(D)
		—
		(D)
Oregon	N/A	(D)
		—
		(D)
Washington	N/A	(D)
Wyoming	N/A	(D)

Material deleted from this page now appears in Brightspeed Local Operating Companies Tariff F.C.C. NO. 9.

ISSUE DATE:
 September 19, 2022

Issued Under Transmittal No. 125
 Vice President-Regulatory Operations
 100 CenturyLink Drive
 Monroe, Louisiana 71203

EFFECTIVE DATE:
 October 4, 2022

ACCESS SERVICE

23. Pricing Flexibility Ordering Options, Additional Labor and Miscellaneous Services (Cont'd)

23.4 Rates and Charges (Cont'd)

23.4.5 Miscellaneous Services (Cont'd)

(A) Additional Testing (Cont'd)

(3) Provision of AAT Test Results to the Customer

Provision of AAT Test
 Results for each trunk tested.

- Per Report Provided

	Nonrecurring Charge	
Florida		
Orlando MSA	\$17.30	(D)
Tallahassee MSA	\$17.30	(D)
Minnesota	N/A	(D)
Nebraska	N/A	
Nevada	\$25.00	(D)
		(D)
Oregon	N/A	(D)
		(D)
Washington	N/A	
Wyoming	N/A	(D)
		(N)
		(N)

Material deleted from this page now appears in Brightspeed Local Operating Companies Tariff F.C.C. NO. 9.

ISSUE DATE:
 September 19, 2022

Issued Under Transmittal No. 125
 Vice President-Regulatory Operations
 100 CenturyLink Drive
 Monroe, Louisiana 71203

EFFECTIVE DATE:
 October 4, 2022

ACCESS SERVICE

23. Pricing Flexibility Ordering Options, Additional Labor and Miscellaneous Services (Cont'd)

23.4 Rates and Charges (Cont'd)

23.4.5 Miscellaneous Services (Cont'd)

(B) Provision of Access Service Billing Information

(1) Additional copies of the customer's monthly bill or service and features records

- Per copy per account in standard paper format

	Monthly Rate	Nonrecurring Charge	
Florida			
Orlando MSA	\$29.00	\$29.00	
Tallahassee MSA	\$29.00	\$29.00	(D)
			(D)
Minnesota	N/A	N/A	(D)
Nebraska	N/A	N/A	
Nevada	\$29.00	\$29.00	(D)
			(D)
Oregon	N/A	N/A	(D)
			(D)
Washington	N/A	N/A	
Wyoming	N/A	N/A	(D)
			(N)
			(N)

Material deleted from this page now appears in Brightspeed Local Operating Companies Tariff F.C.C. NO. 9.

ISSUE DATE:
September 19, 2022

Issued Under Transmittal No. 125
 Vice President-Regulatory Operations
 100 CenturyLink Drive
 Monroe, Louisiana 71203

EFFECTIVE DATE:
October 4, 2022

ACCESS SERVICE

23. Pricing Flexibility Ordering Options, Additional Labor and Miscellaneous Services (Cont'd)

23.4 Rates and Charges (Cont'd)

23.4.5 Miscellaneous Services (Cont'd)

(B) Provision of Access Service Billing Information (Cont'd)

(2) Reserved for Future Use

(C)

(D)

(D)

ISSUE DATE:
January 17, 2020

Issued Under Transmittal No. 110
Vice President-Public Policy & Compliance
100 CenturyLink Drive
Monroe, Louisiana 71203

EFFECTIVE DATE:
February 1, 2020

ACCESS SERVICE

23. Pricing Flexibility Ordering Options, Additional Labor and Miscellaneous Services (Cont'd)

23.4 Rates and Charges (Cont'd)

23.4.5 Miscellaneous Services (Cont'd)

(C) Telecommunications Service Priority (TSP) System

The following rates and charges are in addition to all other rates and charges applicable for other services furnished under the provisions of this tariff which operate in conjunction with the TSP System. This includes, but is not limited to, Maintenance of Service as set forth in 13.3.1 preceding.

(1) <u>Priority Installation</u> *	<u>Monthly Rate</u>	<u>Nonrecurring Charge</u>	
- Per Circuit			
Florida			
Orlando MSA	NONE	\$78.00	
Tallahassee MSA	NONE	\$78.00	(D)
			(D)
Minnesota	N/A	N/A	(D)
Nebraska	N/A	N/A	
Nevada	NONE	\$95.00	(D)
			(D)
			(D)
Oregon	N/A	N/A	(D)
			(D)
Washington	N/A	N/A	
Wyoming	N/A	N/A	(D)

* When an access service is ordered with both priority installation and priority restoration the associated nonrecurring charge for each applies.

Material deleted from this page now appears in Brightspeed Local Operating Companies Tariff F.C.C. NO. 9.

ISSUE DATE:
 September 19, 2022

Issued Under Transmittal No. 125
 Vice President-Regulatory Operations
 100 CenturyLink Drive
 Monroe, Louisiana 71203

EFFECTIVE DATE:
 October 4, 2022

(N)
 (N)

ACCESS SERVICE

23. Pricing Flexibility Ordering Options, Additional Labor and Miscellaneous Services (Cont'd)

23.4 Rates and Charges (Cont'd)

23.4.5 Miscellaneous Services (Cont'd)

(C) Telecommunications Service Priority (TSP) System (Cont'd)

(2) Priority Restoration

<u>Implementation or Change</u>	<u>Monthly Rate</u>	<u>Nonrecurring Charge</u>	
- Per Circuit			
Florida			
Orlando MSA	GAR	\$42.00	(D)
Tallahassee MSA	GAR	\$42.00	(D)
Minnesota	N/A	N/A	(D)
Nebraska	N/A	N/A	
Nevada	ICB	\$60.00	(D)
			(D)
Oregon	N/A	N/A	(D)
			(D)
Washington	N/A	N/A	(D)
Wyoming	N/A	N/A	(D)

* When an access service is ordered with both priority installation and priority restoration the associated nonrecurring charge for each applies.

Material deleted from this page now appears in Brightspeed Local Operating Companies Tariff F.C.C. NO. 9.

ISSUE DATE:
 September 19, 2022

Issued Under Transmittal No. 125
 Vice President-Regulatory Operations
 100 CenturyLink Drive
 Monroe, Louisiana 71203

EFFECTIVE DATE:
 October 4, 2022

(N)
 (N)

ACCESS SERVICE

23. Pricing Flexibility Ordering Options, Additional Labor and Miscellaneous Services (Cont'd)

23.4 Rates and Charges (Cont'd)

23.4.5 Miscellaneous Services (Cont'd)

(C) Telecommunications Service Priority (TSP) System (Cont'd)

(3) Priority Restoration, Maintenance
 and Administration

- Per Circuit	Monthly <u>Rate</u>	Nonrecurring <u>Charge</u>	
Florida			
Orlando MSA	\$19.10	GAR	
Tallahassee MSA	\$19.10	GAR	(D)
			(D)
Minnesota	N/A	N/A	(D)
Nebraska	N/A	N/A	
Nevada	\$27.65	ICB	(D)
			(D)
Oregon	N/A	N/A	(D)
			(D)
Washington	N/A	N/A	
Wyoming	N/A	N/A	(D)
			(N)
			(N)

Material deleted from this page now appears in Brightspeed Local Operating Companies Tariff F.C.C. NO. 9.

ISSUE DATE:
 September 19, 2022

Issued Under Transmittal No. 125
 Vice President-Regulatory Operations
 100 CenturyLink Drive
 Monroe, Louisiana 71203

EFFECTIVE DATE:
 October 4, 2022

ACCESS SERVICE

24. Reserved for Future Use

(C)

(D)

(D)

ISSUE DATE:
October 17, 2017

Issued Under Transmittal No. 96
Vice President-Regulatory Operations
100 CenturyLink Drive
Monroe, Louisiana 71203

EFFECTIVE DATE:
November 1, 2017

ACCESS SERVICE

24. Reserved for Future Use

(C)

(D)

(D)

ISSUE DATE:
October 17, 2017

Issued Under Transmittal No. 96
Vice President-Regulatory Operations
100 CenturyLink Drive
Monroe, Louisiana 71203

EFFECTIVE DATE:
November 1, 2017

ACCESS SERVICE

24. Reserved for Future Use

(C)

(D)

(D)

ISSUE DATE:
October 17, 2017

Issued Under Transmittal No. 96
Vice President-Regulatory Operations
100 CenturyLink Drive
Monroe, Louisiana 71203

EFFECTIVE DATE:
November 1, 2017

ACCESS SERVICE

24. Reserved for Future Use

(C)

(D)

(D)

ISSUE DATE:
October 17, 2017

Issued Under Transmittal No. 96
Vice President-Regulatory Operations
100 CenturyLink Drive
Monroe, Louisiana 71203

EFFECTIVE DATE:
November 1, 2017

ACCESS SERVICE

24. Reserved for Future Use

(C)

(D)

(D)

ISSUE DATE:
October 17, 2017

Issued Under Transmittal No. 96
Vice President-Regulatory Operations
100 CenturyLink Drive
Monroe, Louisiana 71203

EFFECTIVE DATE:
November 1, 2017

ACCESS SERVICE

24. Reserved for Future Use

(C)

(D)

(D)

ISSUE DATE:
October 17, 2017

Issued Under Transmittal No. 96
Vice President-Regulatory Operations
100 CenturyLink Drive
Monroe, Louisiana 71203

EFFECTIVE DATE:
November 1, 2017

ACCESS SERVICE

24. Reserved for Future Use

(C)

(D)

(D)

ISSUE DATE:
October 17, 2017

Issued Under Transmittal No. 96
Vice President-Regulatory Operations
100 CenturyLink Drive
Monroe, Louisiana 71203

EFFECTIVE DATE:
November 1, 2017

ACCESS SERVICE

24. Reserved for Future Use

(C)

(D)

(D)

ISSUE DATE:
October 17, 2017

Issued Under Transmittal No. 96
Vice President-Regulatory Operations
100 CenturyLink Drive
Monroe, Louisiana 71203

EFFECTIVE DATE:
November 1, 2017

ACCESS SERVICE

24. Reserved for Future Use

(C)

(D)

(D)

ISSUE DATE:
October 17, 2017

Issued Under Transmittal No. 96
Vice President-Regulatory Operations
100 CenturyLink Drive
Monroe, Louisiana 71203

EFFECTIVE DATE:
November 1, 2017

ACCESS SERVICE

24. Reserved for Future Use

(C)

(D)

(D)

ISSUE DATE:
October 17, 2017

Issued Under Transmittal No. 96
Vice President-Regulatory Operations
100 CenturyLink Drive
Monroe, Louisiana 71203

EFFECTIVE DATE:
November 1, 2017

ACCESS SERVICE

24. Reserved for Future Use

(C)

(D)

(D)

ISSUE DATE:
October 17, 2017

Issued Under Transmittal No. 96
Vice President-Regulatory Operations
100 CenturyLink Drive
Monroe, Louisiana 71203

EFFECTIVE DATE:
November 1, 2017

ACCESS SERVICE

24. Reserved for Future Use

(C)

(D)

(D)

ISSUE DATE:
October 17, 2017

Issued Under Transmittal No. 96
Vice President-Regulatory Operations
100 CenturyLink Drive
Monroe, Louisiana 71203

EFFECTIVE DATE:
November 1, 2017

ACCESS SERVICE

24. Reserved for Future Use

(C)

(D)

(D)

ISSUE DATE:
October 17, 2017

Issued Under Transmittal No. 96
Vice President-Regulatory Operations
100 CenturyLink Drive
Monroe, Louisiana 71203

EFFECTIVE DATE:
November 1, 2017

ACCESS SERVICE

24. Reserved for Future Use

(C)

(D)

(D)

ISSUE DATE:
October 17, 2017

Issued Under Transmittal No. 96
Vice President-Regulatory Operations
100 CenturyLink Drive
Monroe, Louisiana 71203

EFFECTIVE DATE:
November 1, 2017

ACCESS SERVICE

24. Reserved for Future Use

(C)

(D)

(D)

ISSUE DATE:
October 17, 2017

Issued Under Transmittal No. 96
Vice President-Regulatory Operations
100 CenturyLink Drive
Monroe, Louisiana 71203

EFFECTIVE DATE:
November 1, 2017

ACCESS SERVICE

24. Reserved for Future Use

(C)

(D)

(D)

ISSUE DATE:
October 17, 2017

Issued Under Transmittal No. 96
Vice President-Regulatory Operations
100 CenturyLink Drive
Monroe, Louisiana 71203

EFFECTIVE DATE:
November 1, 2017

ACCESS SERVICE

24. Reserved for Future Use

(C)

(D)

(D)

ISSUE DATE:
October 17, 2017

Issued Under Transmittal No. 96
Vice President-Regulatory Operations
100 CenturyLink Drive
Monroe, Louisiana 71203

EFFECTIVE DATE:
November 1, 2017

ACCESS SERVICE

24. Reserved for Future Use

(C)

(D)

(D)

ISSUE DATE:
October 17, 2017

Issued Under Transmittal No. 96
Vice President-Regulatory Operations
100 CenturyLink Drive
Monroe, Louisiana 71203

EFFECTIVE DATE:
November 1, 2017

ACCESS SERVICE

24. Reserved for Future Use

(C)

(D)

(D)

ISSUE DATE:
October 17, 2017

Issued Under Transmittal No. 96
Vice President-Regulatory Operations
100 CenturyLink Drive
Monroe, Louisiana 71203

EFFECTIVE DATE:
November 1, 2017

ACCESS SERVICE

24. Reserved for Future Use

(C)

(D)

(D)

ISSUE DATE:
October 17, 2017

Issued Under Transmittal No. 96
Vice President-Regulatory Operations
100 CenturyLink Drive
Monroe, Louisiana 71203

EFFECTIVE DATE:
November 1, 2017

ACCESS SERVICE

24. Reserved for Future Use

(C)

(D)

(D)

ISSUE DATE:
October 17, 2017

Issued Under Transmittal No. 96
Vice President-Regulatory Operations
100 CenturyLink Drive
Monroe, Louisiana 71203

EFFECTIVE DATE:
November 1, 2017

ACCESS SERVICE

24. Reserved for Future Use

(C)

(D)

(D)

ISSUE DATE:
October 17, 2017

Issued Under Transmittal No. 96
Vice President-Regulatory Operations
100 CenturyLink Drive
Monroe, Louisiana 71203

EFFECTIVE DATE:
November 1, 2017

ACCESS SERVICE

24. Reserved for Future Use

(C)

(D)

(D)

ISSUE DATE:
October 17, 2017

Issued Under Transmittal No. 96
Vice President-Regulatory Operations
100 CenturyLink Drive
Monroe, Louisiana 71203

EFFECTIVE DATE:
November 1, 2017

ACCESS SERVICE

24. Reserved for Future Use

(C)

(D)

(D)

ISSUE DATE:
October 17, 2017

Issued Under Transmittal No. 96
Vice President-Regulatory Operations
100 CenturyLink Drive
Monroe, Louisiana 71203

EFFECTIVE DATE:
November 1, 2017

ACCESS SERVICE

24. Reserved for Future Use

(C)

(D)

(D)

ISSUE DATE:
October 17, 2017

Issued Under Transmittal No. 96
Vice President-Regulatory Operations
100 CenturyLink Drive
Monroe, Louisiana 71203

EFFECTIVE DATE:
November 1, 2017

ACCESS SERVICE

24. Reserved for Future Use

(C)

(D)

(D)

ISSUE DATE:
October 17, 2017

Issued Under Transmittal No. 96
Vice President-Regulatory Operations
100 CenturyLink Drive
Monroe, Louisiana 71203

EFFECTIVE DATE:
November 1, 2017

ACCESS SERVICE

24. Reserved for Future Use

(C)

(D)

(D)

ISSUE DATE:
October 17, 2017

Issued Under Transmittal No. 96
Vice President-Regulatory Operations
100 CenturyLink Drive
Monroe, Louisiana 71203

EFFECTIVE DATE:
November 1, 2017

ACCESS SERVICE

24. Reserved for Future Use

(C)

(D)

(D)

ISSUE DATE:
October 17, 2017

Issued Under Transmittal No. 96
Vice President-Regulatory Operations
100 CenturyLink Drive
Monroe, Louisiana 71203

EFFECTIVE DATE:
November 1, 2017

ACCESS SERVICE

24. Reserved for Future Use

(C)

(D)

(D)

ISSUE DATE:
October 17, 2017

Issued Under Transmittal No. 96
Vice President-Regulatory Operations
100 CenturyLink Drive
Monroe, Louisiana 71203

EFFECTIVE DATE:
November 1, 2017

ACCESS SERVICE

24. Reserved for Future Use

(C)

(D)

(D)

ISSUE DATE:
October 17, 2017

Issued Under Transmittal No. 96
Vice President-Regulatory Operations
100 CenturyLink Drive
Monroe, Louisiana 71203

EFFECTIVE DATE:
November 1, 2017

ACCESS SERVICE

24. Reserved for Future Use

(C)

(D)

(D)

ISSUE DATE:
October 17, 2017

Issued Under Transmittal No. 96
Vice President-Regulatory Operations
100 CenturyLink Drive
Monroe, Louisiana 71203

EFFECTIVE DATE:
November 1, 2017

ACCESS SERVICE

24. Reserved for Future Use

(C)

(D)

(D)

ISSUE DATE:
October 17, 2017

Issued Under Transmittal No. 96
Vice President-Regulatory Operations
100 CenturyLink Drive
Monroe, Louisiana 71203

EFFECTIVE DATE:
November 1, 2017

ACCESS SERVICE

24. Reserved for Future Use

(C)

(D)

(D)

ISSUE DATE:
October 17, 2017

Issued Under Transmittal No. 96
Vice President-Regulatory Operations
100 CenturyLink Drive
Monroe, Louisiana 71203

EFFECTIVE DATE:
November 1, 2017

ACCESS SERVICE

24. Reserved for Future Use

(C)

(D)

(D)

ISSUE DATE:
October 17, 2017

Issued Under Transmittal No. 96
Vice President-Regulatory Operations
100 CenturyLink Drive
Monroe, Louisiana 71203

EFFECTIVE DATE:
November 1, 2017

ACCESS SERVICE

24. Reserved for Future Use

(C)

(D)

(D)

ISSUE DATE:
October 17, 2017

Issued Under Transmittal No. 96
Vice President-Regulatory Operations
100 CenturyLink Drive
Monroe, Louisiana 71203

EFFECTIVE DATE:
November 1, 2017

ACCESS SERVICE

24. Reserved for Future Use

(C)

(D)

(D)

ISSUE DATE:
October 17, 2017

Issued Under Transmittal No. 96
Vice President-Regulatory Operations
100 CenturyLink Drive
Monroe, Louisiana 71203

EFFECTIVE DATE:
November 1, 2017

ACCESS SERVICE

24. Reserved for Future Use

(C)

(D)

(D)

ISSUE DATE:
October 17, 2017

Issued Under Transmittal No. 96
Vice President-Regulatory Operations
100 CenturyLink Drive
Monroe, Louisiana 71203

EFFECTIVE DATE:
November 1, 2017

ACCESS SERVICE

24. Reserved for Future Use

(C)

(D)

(D)

ISSUE DATE:
October 17, 2017

Issued Under Transmittal No. 96
Vice President-Regulatory Operations
100 CenturyLink Drive
Monroe, Louisiana 71203

EFFECTIVE DATE:
November 1, 2017

ACCESS SERVICE

24. Reserved for Future Use

(C)

(D)

(D)

ISSUE DATE:
October 17, 2017

Issued Under Transmittal No. 96
Vice President-Regulatory Operations
100 CenturyLink Drive
Monroe, Louisiana 71203

EFFECTIVE DATE:
November 1, 2017

ACCESS SERVICE

24. Reserved for Future Use

(C)

(D)

(D)

ISSUE DATE:
October 17, 2017

Issued Under Transmittal No. 96
Vice President-Regulatory Operations
100 CenturyLink Drive
Monroe, Louisiana 71203

EFFECTIVE DATE:
November 1, 2017

ACCESS SERVICE

24. Reserved for Future Use

(C)

(D)

(D)

ISSUE DATE:
October 17, 2017

Issued Under Transmittal No. 96
Vice President-Regulatory Operations
100 CenturyLink Drive
Monroe, Louisiana 71203

EFFECTIVE DATE:
November 1, 2017

ACCESS SERVICE

24. Reserved for Future Use

(C)

(D)

(D)

ISSUE DATE:
October 17, 2017

Issued Under Transmittal No. 96
Vice President-Regulatory Operations
100 CenturyLink Drive
Monroe, Louisiana 71203

EFFECTIVE DATE:
November 1, 2017

ACCESS SERVICE

24. Reserved for Future Use

(C)

(D)

(D)

ISSUE DATE:
October 17, 2017

Issued Under Transmittal No. 96
Vice President-Regulatory Operations
100 CenturyLink Drive
Monroe, Louisiana 71203

EFFECTIVE DATE:
November 1, 2017

ACCESS SERVICE

24. Reserved for Future Use

(C)

(D)

(D)

ISSUE DATE:
October 17, 2017

Issued Under Transmittal No. 96
Vice President-Regulatory Operations
100 CenturyLink Drive
Monroe, Louisiana 71203

EFFECTIVE DATE:
November 1, 2017

ACCESS SERVICE

24. Reserved for Future Use

(C)

(D)

(D)

ISSUE DATE:
October 17, 2017

Issued Under Transmittal No. 96
Vice President-Regulatory Operations
100 CenturyLink Drive
Monroe, Louisiana 71203

EFFECTIVE DATE:
November 1, 2017

ACCESS SERVICE

24. Reserved for Future Use

(C)

(D)

(D)

ISSUE DATE:
October 17, 2017

Issued Under Transmittal No. 96
Vice President-Regulatory Operations
100 CenturyLink Drive
Monroe, Louisiana 71203

EFFECTIVE DATE:
November 1, 2017

ACCESS SERVICE

24. Reserved for Future Use

(C)

(D)

(D)

ISSUE DATE:
October 17, 2017

Issued Under Transmittal No. 96
Vice President-Regulatory Operations
100 CenturyLink Drive
Monroe, Louisiana 71203

EFFECTIVE DATE:
November 1, 2017

ACCESS SERVICE

24. Reserved for Future Use

(C)

(D)

(D)

ISSUE DATE:
October 17, 2017

Issued Under Transmittal No. 96
Vice President-Regulatory Operations
100 CenturyLink Drive
Monroe, Louisiana 71203

EFFECTIVE DATE:
November 1, 2017

ACCESS SERVICE

24. Reserved for Future Use

(C)

(D)

(D)

ISSUE DATE:
October 17, 2017

Issued Under Transmittal No. 96
Vice President-Regulatory Operations
100 CenturyLink Drive
Monroe, Louisiana 71203

EFFECTIVE DATE:
November 1, 2017

ACCESS SERVICE

24. Reserved for Future Use

(C)

(D)

(D)

ISSUE DATE:
October 17, 2017

Issued Under Transmittal No. 96
Vice President-Regulatory Operations
100 CenturyLink Drive
Monroe, Louisiana 71203

EFFECTIVE DATE:
November 1, 2017

ACCESS SERVICE

24. Reserved for Future Use

(C)

(D)

(D)

ISSUE DATE:
October 17, 2017

Issued Under Transmittal No. 96
Vice President-Regulatory Operations
100 CenturyLink Drive
Monroe, Louisiana 71203

EFFECTIVE DATE:
November 1, 2017

ACCESS SERVICE

24. Reserved for Future Use

(C)

(D)

(D)

ISSUE DATE:
October 17, 2017

Issued Under Transmittal No. 96
Vice President-Regulatory Operations
100 CenturyLink Drive
Monroe, Louisiana 71203

EFFECTIVE DATE:
November 1, 2017

ACCESS SERVICE

24. Reserved for Future Use

(C)

(D)

(D)

ISSUE DATE:
October 17, 2017

Issued Under Transmittal No. 96
Vice President-Regulatory Operations
100 CenturyLink Drive
Monroe, Louisiana 71203

EFFECTIVE DATE:
November 1, 2017

ACCESS SERVICE

24. Reserved for Future Use

(C)

(D)

(D)

ISSUE DATE:
October 17, 2017

Issued Under Transmittal No. 96
Vice President-Regulatory Operations
100 CenturyLink Drive
Monroe, Louisiana 71203

EFFECTIVE DATE:
November 1, 2017

ACCESS SERVICE

24. Reserved for Future Use

(C)

(D)

(D)

ISSUE DATE:
October 17, 2017

Issued Under Transmittal No. 96
Vice President-Regulatory Operations
100 CenturyLink Drive
Monroe, Louisiana 71203

EFFECTIVE DATE:
November 1, 2017

ACCESS SERVICE

24. Reserved for Future Use

(C)

(D)

(D)

ISSUE DATE:
October 17, 2017

Issued Under Transmittal No. 96
Vice President-Regulatory Operations
100 CenturyLink Drive
Monroe, Louisiana 71203

EFFECTIVE DATE:
November 1, 2017

ACCESS SERVICE

24. Reserved for Future Use

(C)

(D)

(D)

ISSUE DATE:
October 17, 2017

Issued Under Transmittal No. 96
Vice President-Regulatory Operations
100 CenturyLink Drive
Monroe, Louisiana 71203

EFFECTIVE DATE:
November 1, 2017

ACCESS SERVICE

24. Reserved for Future Use

(C)

(D)

(D)

ISSUE DATE:
October 17, 2017

Issued Under Transmittal No. 96
Vice President-Regulatory Operations
100 CenturyLink Drive
Monroe, Louisiana 71203

EFFECTIVE DATE:
November 1, 2017

ACCESS SERVICE

24. Reserved for Future Use

(C)

(D)

(D)

ISSUE DATE:
October 17, 2017

Issued Under Transmittal No. 96
Vice President-Regulatory Operations
100 CenturyLink Drive
Monroe, Louisiana 71203

EFFECTIVE DATE:
November 1, 2017

ACCESS SERVICE

24. Reserved for Future Use

(C)

(D)

(D)

ISSUE DATE:
October 17, 2017

Issued Under Transmittal No. 96
Vice President-Regulatory Operations
100 CenturyLink Drive
Monroe, Louisiana 71203

EFFECTIVE DATE:
November 1, 2017

ACCESS SERVICE

24. Reserved for Future Use

(C)

(D)

(D)

ISSUE DATE:
October 17, 2017

Issued Under Transmittal No. 96
Vice President-Regulatory Operations
100 CenturyLink Drive
Monroe, Louisiana 71203

EFFECTIVE DATE:
November 1, 2017

ACCESS SERVICE

24. Reserved for Future Use

(C)

(D)

(D)

ISSUE DATE:
October 17, 2017

Issued Under Transmittal No. 96
Vice President-Regulatory Operations
100 CenturyLink Drive
Monroe, Louisiana 71203

EFFECTIVE DATE:
November 1, 2017

ACCESS SERVICE

24. Reserved for Future Use

(C)

(D)

(D)

ISSUE DATE:
October 17, 2017

Issued Under Transmittal No. 96
Vice President-Regulatory Operations
100 CenturyLink Drive
Monroe, Louisiana 71203

EFFECTIVE DATE:
November 1, 2017

ACCESS SERVICE

24. Reserved for Future Use

(C)

(D)

(D)

ISSUE DATE:
October 17, 2017

Issued Under Transmittal No. 96
Vice President-Regulatory Operations
100 CenturyLink Drive
Monroe, Louisiana 71203

EFFECTIVE DATE:
November 1, 2017

ACCESS SERVICE

24. Reserved for Future Use

(C)

(D)

(D)

ISSUE DATE:
October 17, 2017

Issued Under Transmittal No. 96
Vice President-Regulatory Operations
100 CenturyLink Drive
Monroe, Louisiana 71203

EFFECTIVE DATE:
November 1, 2017

ACCESS SERVICE

24. Reserved for Future Use

(C)

(D)

(D)

ISSUE DATE:
October 17, 2017

Issued Under Transmittal No. 96
Vice President-Regulatory Operations
100 CenturyLink Drive
Monroe, Louisiana 71203

EFFECTIVE DATE:
November 1, 2017

ACCESS SERVICE

24. Reserved for Future Use

(C)

(D)

(D)

ISSUE DATE:
October 17, 2017

Issued Under Transmittal No. 96
Vice President-Regulatory Operations
100 CenturyLink Drive
Monroe, Louisiana 71203

EFFECTIVE DATE:
November 1, 2017

ACCESS SERVICE

24. Reserved for Future Use

(C)

(D)

(D)

ISSUE DATE:
October 17, 2017

Issued Under Transmittal No. 96
Vice President-Regulatory Operations
100 CenturyLink Drive
Monroe, Louisiana 71203

EFFECTIVE DATE:
November 1, 2017

ACCESS SERVICE

24. Reserved for Future Use

(C)

(D)

(D)

ISSUE DATE:
October 17, 2017

Issued Under Transmittal No. 96
Vice President-Regulatory Operations
100 CenturyLink Drive
Monroe, Louisiana 71203

EFFECTIVE DATE:
November 1, 2017

ACCESS SERVICE

24. Reserved for Future Use

(C)

(D)

(D)

ISSUE DATE:
October 17, 2017

Issued Under Transmittal No. 96
Vice President-Regulatory Operations
100 CenturyLink Drive
Monroe, Louisiana 71203

EFFECTIVE DATE:
November 1, 2017

ACCESS SERVICE

24. Reserved for Future Use

(C)

(D)

(D)

ISSUE DATE:
October 17, 2017

Issued Under Transmittal No. 96
Vice President-Regulatory Operations
100 CenturyLink Drive
Monroe, Louisiana 71203

EFFECTIVE DATE:
November 1, 2017

ACCESS SERVICE

24. Reserved for Future Use

(C)

(D)

(D)

ISSUE DATE:
October 17, 2017

Issued Under Transmittal No. 96
Vice President-Regulatory Operations
100 CenturyLink Drive
Monroe, Louisiana 71203

EFFECTIVE DATE:
November 1, 2017

ACCESS SERVICE

24. Reserved for Future Use

(C)

(D)

(D)

ISSUE DATE:
October 17, 2017

Issued Under Transmittal No. 96
Vice President-Regulatory Operations
100 CenturyLink Drive
Monroe, Louisiana 71203

EFFECTIVE DATE:
November 1, 2017

ACCESS SERVICE

24. Reserved for Future Use

(C)

(D)

(D)

ISSUE DATE:
October 17, 2017

Issued Under Transmittal No. 96
Vice President-Regulatory Operations
100 CenturyLink Drive
Monroe, Louisiana 712

EFFECTIVE DATE:
November 1, 2017